



L-880 and L-881 PAPI, Style A
Precision Approach Path Indicator (Voltage Powered)

Spare Parts

SP_1020_A, Rev. D, 2023/02/02

ADB 
SAFEGATE

A.0 Disclaimer / Standard Warranty

CE certification

The equipment listed as CE certified means that the product complies with the essential requirements concerning safety and hygiene. The European directives that have been taken into consideration in the design are available on written request to ADB SAFEGATE.

ETL certification

The equipment listed as ETL certified means that the product complies with the essential requirements concerning safety and FAA Airfield regulations. The FAA directives that have been taken into consideration in the design are available on written request to ADB SAFEGATE.

All Products Guarantee

ADB SAFEGATE will correct by repair or replacement per the applicable guarantee above, at its option, equipment or parts which fail because of mechanical, electrical or physical defects, provided that the goods have been properly handled and stored prior to installation, properly installed and properly operated after installation, and provided further that Buyer gives ADB SAFEGATE written notice of such defects after delivery of the goods to Buyer. Refer to the Safety section for more information on Material Handling Precautions and Storage precautions that must be followed.

ADB SAFEGATE reserves the right to examine goods upon which a claim is made. Said goods must be presented in the same condition as when the defect therein was discovered. ADB SAFEGATE further reserves the right to require the return of such goods to establish any claim.

ADB SAFEGATE's obligation under this guarantee is limited to making repair or replacement within a reasonable time after receipt of such written notice and does not include any other costs such as the cost of removal of defective part, installation of repaired product, labor or consequential damages of any kind, the exclusive remedy being to require such new parts to be furnished.

ADB SAFEGATE's liability under no circumstances will exceed the contract price of goods claimed to be defective. Any returns under this guarantee are to be on a transportation charges prepaid basis. For products not manufactured by, but sold by ADB SAFEGATE, warranty is limited to that extended by the original manufacturer. This is ADB SAFEGATE's sole guarantee and warranty with respect to the goods; there are no express warranties or warranties of fitness for any particular purpose or any implied warranties of fitness for any particular purpose or any implied warranties other than those made expressly herein. All such warranties being expressly disclaimed.

Standard Products Guarantee

Products manufactured by ADB SAFEGATE are guaranteed against mechanical, electrical, and physical defects (excluding lamps) which may occur during proper and normal use for a period of two years from the date of ex-works delivery, and are guaranteed to be merchantable and fit for the ordinary purposes for which such products are made.



Note

See your applicable sales agreement for a complete warranty description.

Replaced or repaired equipment under warranty falls into the warranty of the original delivery. No new warranty period is started for these replaced or repaired products.

FAA Certified products manufactured by ADB SAFEGATE

ADB SAFEGATE L858 Airfield Guidance Signs are warranted against mechanical and physical defects in design or manufacture for a period of 2 years from date of installation, per FAA AC 150/5345-44 (applicable edition).

ADB SAFEGATE LED products (with the exception of obstruction lighting) are warranted against electrical defects in design or manufacture of the LED or LED specific circuitry for a period of 4 years from date of installation, per FAA EB67 (applicable edition). These FAA certified constant current (series) powered LED products must be installed, interfaced and powered with and through products certified under the FAA Airfield Lighting Equipment Program (ALECP) to be included in this 4 (four) year warranty. This includes, but is not limited to, interface with products such as Base Cans, Isolation Transformers, Connectors, Wiring, and Constant Current Regulators.



Note

See your sales order contract for a complete warranty description.

Replaced or repaired equipment under warranty falls into the warranty of the original delivery. No new warranty period is started for these replaced or repaired products.

Liability



WARNING

Use of the equipment in ways other than described in the catalog leaflet and the manual may result in personal injury, death, or property and equipment damage. Use this equipment only as described in the manual.

ADB SAFEGATE cannot be held responsible for injuries or damages resulting from non-standard, unintended uses of its equipment. The equipment is designed and intended only for the purpose described in the manual. Uses not described in the manual are considered unintended uses and may result in serious personal injury, death or property damage.

Unintended uses, includes the following actions:

- Making changes to equipment that have not been recommended or described in this manual or using parts that are not genuine ADB SAFEGATE replacement parts or accessories.
- Failing to make sure that auxiliary equipment complies with approval agency requirements, local codes, and all applicable safety standards if not in contradiction with the general rules.
- Using materials or auxiliary equipment that are inappropriate or incompatible with your ADB SAFEGATE equipment.
- Allowing unskilled personnel to perform any task on or with the equipment.

© ADB SAFEGATE SWEDEN AB

This manual or parts thereof may not be reproduced, stored in a retrieval system, or transmitted, in any form or by any means, electronic, mechanical, photocopying, recording, nor otherwise, without ADB SAFEGATE SWEDEN AB's prior written consent.

This manual could contain technical inaccuracies or typographical errors. ADB SAFEGATE SWEDEN AB reserves the right to revise this manual from time to time in the contents thereof without obligation of ADB SAFEGATE SWEDEN AB to notify any person of such revision or change. Details and values given in this manual are average values and have been compiled with care. They are not binding, however, and ADB SAFEGATE SWEDEN AB disclaims any liability for damages or detriments suffered as a result of reliance on the information given herein or the use of products, processes or equipment to which this manual refers. No warranty is made that the use of the information or of the products, processes or equipment to which this manual refers will not infringe any third party's patents or rights. The information given does not release the buyer from making their own experiments and tests.

© ADB SAFEGATE BV

This manual or parts thereof may not be reproduced, stored in a retrieval system, or transmitted, in any form or by any means, electronic, mechanical, photocopying, recording, nor otherwise, without ADB SAFEGATE BV's prior written consent.

This manual could contain technical inaccuracies or typographical errors. ADB SAFEGATE BV reserves the right to revise this manual from time to time in the contents thereof without obligation of ADB SAFEGATE BV to notify any person of such revision or change. Details and values given in this manual are average values and have been compiled with care. They are not binding, however, and ADB SAFEGATE BV disclaims any liability for damages or detriments suffered as a result of reliance on the information given herein or the use of products, processes or equipment to which this manual refers. No warranty is made that the use of the information or of the products, processes or equipment to which this manual refers will not infringe any third party's patents or rights. The information given does not release the buyer from making their own experiments and tests.

TABLE OF CONTENTS

1.0 PAPI A Overview	1
1.1 Precision Approach Path Indicator	1
2.0 PAPI A Parts	3
2.1 L-880/L-881 Style A Part Numbering System	3
2.2 PAPI Style A Master Box Assembly Parts List	4
2.3 Optical Assembly Parts List	7
2.4 Adjustable Leg Parts	9
2.5 PAPI Style A L-880 (4-Box) Field Splice Kit Parts List	10
2.6 PAPI Style A L-881 (2-Box) Field Splice Kit Parts List	11
2.7 PAPI Style A L-881 (2-Box) Field Splice Kit (Without Interlock Option) Parts List	11
2.8 Spare Parts	12
A.0 SUPPORT	13
A.1 ADB SAFEGATE Website	13
A.2 Recycling	13
A.2.1 Local Authority Recycling	13
A.2.2 ADB SAFEGATE Recycling	14

1.0 PAPI A Overview

See [Figure 1](#) and [Figure 2](#). This section describes the Style A, L-880 and L-881 Precision Approach Path Indicator (PAPI) systems used to provide visual approach path guidance to pilots of landing aircraft. The PAPI system is designed to operate from 220/240

Vac 60 Hz power.

Figure 1: L-880 Four-Box System

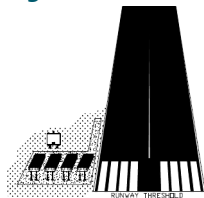
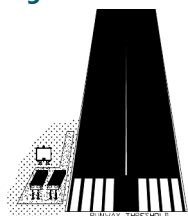


Figure 2: L-881 Two-Box System



1.1 Precision Approach Path Indicator

Uses

A PAPI system uses either 2-light channel or 3-light channel units, which offer the pilot information to carry out the approach procedure with the utmost accuracy and safety.

The L-880 PAPI system consists of four light units located at the side of the runway adjacent to the origin of the glide path. The nominal glide slope angle is midway between the angular settings of the central pair of the four units. If an aircraft is on the correct approach path, the pilot will see two red and two white light indicators.

If the aircraft approach is too high, an increased number of white light indicators will be seen. If the approach is too low, the pilot will note an increased number of red light indicators. The L-881 PAPI system is identical to the L-880, except only two light units (instead of four) are used. The nominal glide slope is midway between the angular settings of the two units, and when the pilot is on or close to the correct approach path, the unit nearest the runway will be seen as red and the other unit as white.

The Style A system is for use with either a 220 or 240 VAC input voltage. The Style B system is for use on 6.6 or 20 A series circuits. A tilt switch assembly is provided on each PAPI unit to de-energize the system in the case that the optical pattern of any light unit is raised between 0.5° and 1.0° or lowered between 0.25° and 0.5° with respect to the setting angle of the unit.

Electrical Supply

Style A ¹	
Input Voltage: 220-240 VAC ± 10% (VA max.) ²	
L-880 (4-box) 2-lamps/optical box	1,800
L-880 (4-box) 3-lamps/optical box	2,700
L-881 (2-box) 2-lamps/optical box	1,650
L-881 (2-box) 3-lamps/optical box	1,650
Style B	
Two Lamp – 6.6 A through one 500 W isolation transformer	

L-880 and L-881 PAPI, Style A
PAPI A Overview

L-880 (4-Box) – Total CCR Load ³	1960 VA maximum
L-881 (2-Box) – Total CCR Load ³	980 VA maximum
Three Lamp – 6.6 A through one 500 W and one 200 W isolation transformer	
L-880 (4-Box) – Total CCR Load ³	3,160 VA maximum
L-881 (2-Box) – Total CCR Load ³	1,580 VA maximum

Notes

- ¹ Limit on distance from Master to first light unit is 100 ft (30.5 m)
- ² As seen at input of PAPI Master
- ³ Includes PAPI light units and isolation transformers

2.0 PAPI A Parts

To order parts, call ADB SAFEGATE Customer Service or your local representative.

Ordering Code PAPI Style A 4 4 A 4 7 3 3 /

Style

1 = L-880 (4 Box)

2 = L-881 (2 Box)

Interlock Options

1 = With Interlock Relay

2 = Without Interlock Relay

Lamp

1 = 3-Lamp Optical Box

2 = 2-Lamp Optical Box

Legs

1 = Three Legs

2 = Four Legs



Notes

- Each PAPI system requires a digital aiming device kit, which is ordered separately.
- Interlock Relay Option provides ON/OFF control through current sensing of the runway series circuit during nighttime operations. During daytime, the PAPI is activated at the 100% step.
- Reference NTSB Cert Alert No. 02-08 dated Dec. 12, 2002, regarding prevention of the possibility of dew or frost forming on the light unit optics: At airports where PAPI units are activated when needed and thus are not operated continuously, change airport lighting circuitry to ensure PAPIs are preset to operate continuously on a low power setting, either 5 percent or 20 percent of full intensity as necessary for local site conditions.

Ordering Code Digital Aiming Device 44A6031

2.1 L-880/L-881 Style A Part Numbering System

Refer to [Table 1](#) and [Table 2](#) for all replaceable parts for each replaceable component or assembly for the L-880 and L-881 Style A PAPI systems.

[Spare Parts](#) shows how to determine the part number for a particular L-880/L-881 PAPI system.



Note

Substitution of electrical components may be done only if substitution is the exact physical equivalent (body or case size) and equal, or better electrical characteristics with respect to tolerance, failure rate, and/or reliability.

Table 1: L-880 PAPI System

Component	Part Number
Master box assembly	44A4734-1XXX
Light box #1	44A4735-XXX
Light box #2	44A4735-XXX
Light box #3	44A4735-XXX
Light box #4	44A4735-XXX

Table 2: L-881 PAPI System

Component	Part Number
Master box assembly	44A4734-2XXX
Light box #1	44A4735-XXX
Light box #2	44A4735-XXX

2.2 PAPI Style A Master Box Assembly Parts List

Item	Description	Part Number	Quantity	Note
Figure 4	Panel assembly	44D2656-XXX	1	
Figure 3	Male plug	73A0180	2	
NS: Not Shown				

Figure 3: Master Box Assembly

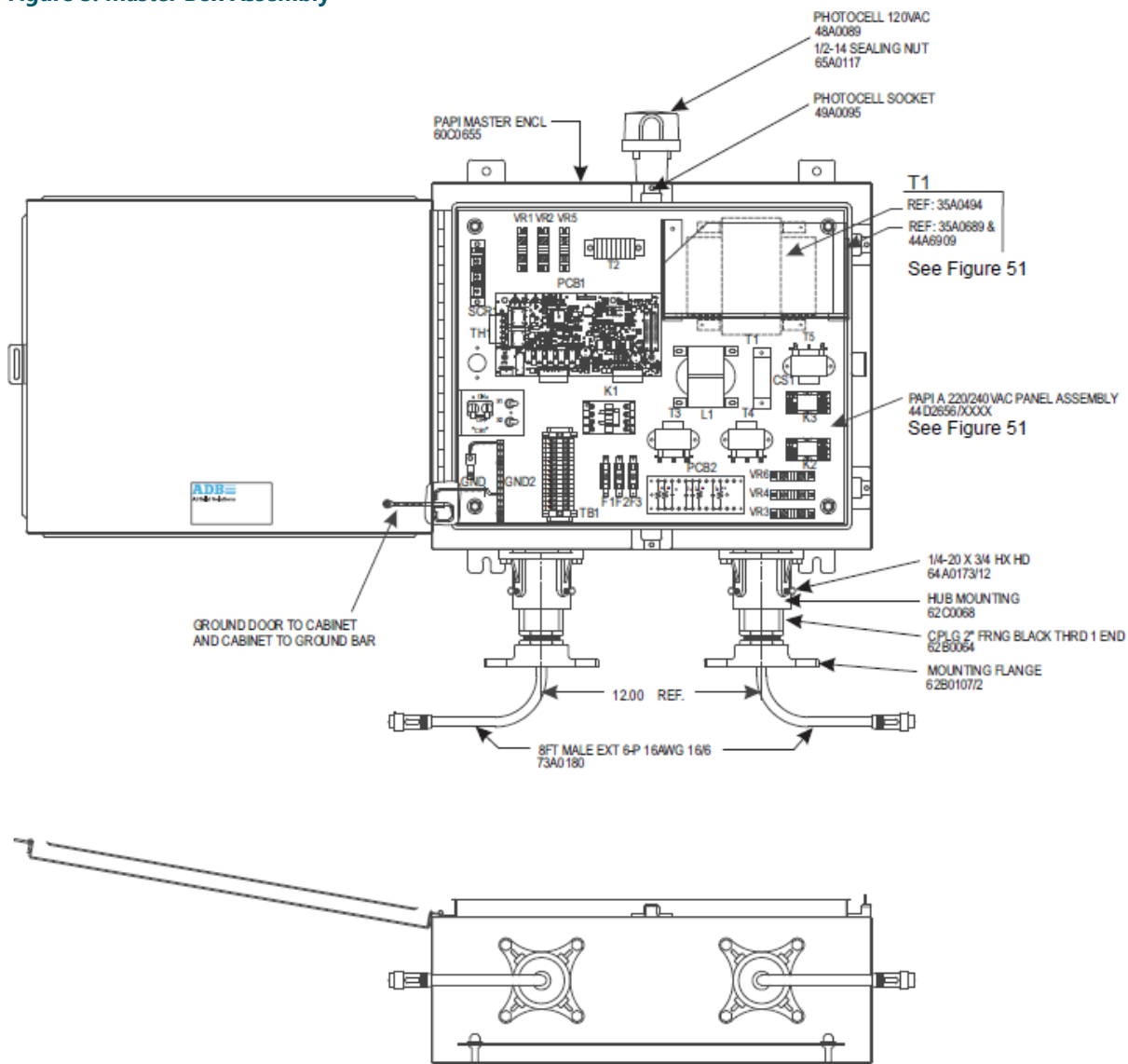


Table 3: PAPI Style A Master Panel Assembly Parts List

Item	Description	Part Number	Quantity	Note
TH1	Thermostat (Therm-O-Disc #37121)	54A0007	1	
PCB1	PAPI control PCB	44A6546-3	1	
SCR1	SCR	28A0011	1	
K3	Relay, 4PDT, 3 A, 24 Vdc coil	53A0310	1	
K2	Relay, 4PDT, 1A, 120 Vac coil	53A0284	1	
K2-3	Relay socket panel mounting	49A0155	2	
T2	Current XF, 6.6 A to .066 A	35A0548	1	
T3	Step down XF, 240 Vac to 120 Vac	35A0474	1	
T4	Step down XF, 240 to 18 Vac	35A0685	1	
T5	Step down XF, 240 to 18 Vac	35A0685	1	
K1	Contact, 4P, 15 A, 120 Vac coil	53A0222	1	
CB1	Circuit breaker, 15 A, 2P	57A0039	1	
F1, F2	Fuse, 2 A, 250 V, Slo-Blo	47A0049	2	
F3	Fuse, 1/4 A, 250 V, Slo-Blo	47A0117	1	
F1-3	Fuse block	47A0061	3	
VR1, VR2	Lightning varistors, 571 Vac	32A0028	2	
VR3, VR4	Lightning varistors, 751 Vac	32A0025	2	
S1, S2	Toggle switch, SPST, 15 A, ON-OFF	45A0207	2	
PCB2	Snubber network PCB	44A4752	1	
CS1	Current sense switch	53A0283	1	
L1	Inductor	33A0013	1	
	Step-up transformer (used on L-880 only)			
T1	Two-lamp transformer	35A0689	1	A
	Three-lamp transformer	35A0494	1	
F4	Fuse 1A	47A0017	1	
F4	Fuse Block	47A0061	1	

See [Figure 4](#) .

Note

A: Replace T1 35A0457 with 35A0689 using Kit# 94A0548.
T1-35A0494 is for 4-Box, 3-LT. Units or 35A0689 for 4-Box, 2-LT. Units.
Master Box, 240 V, 4 Box, PAPI A only 44A4734-1210
Master Box, 240 V, 2 Box, PAPI A only 44A4734-2210

Figure 4: Master Panel Assemblies

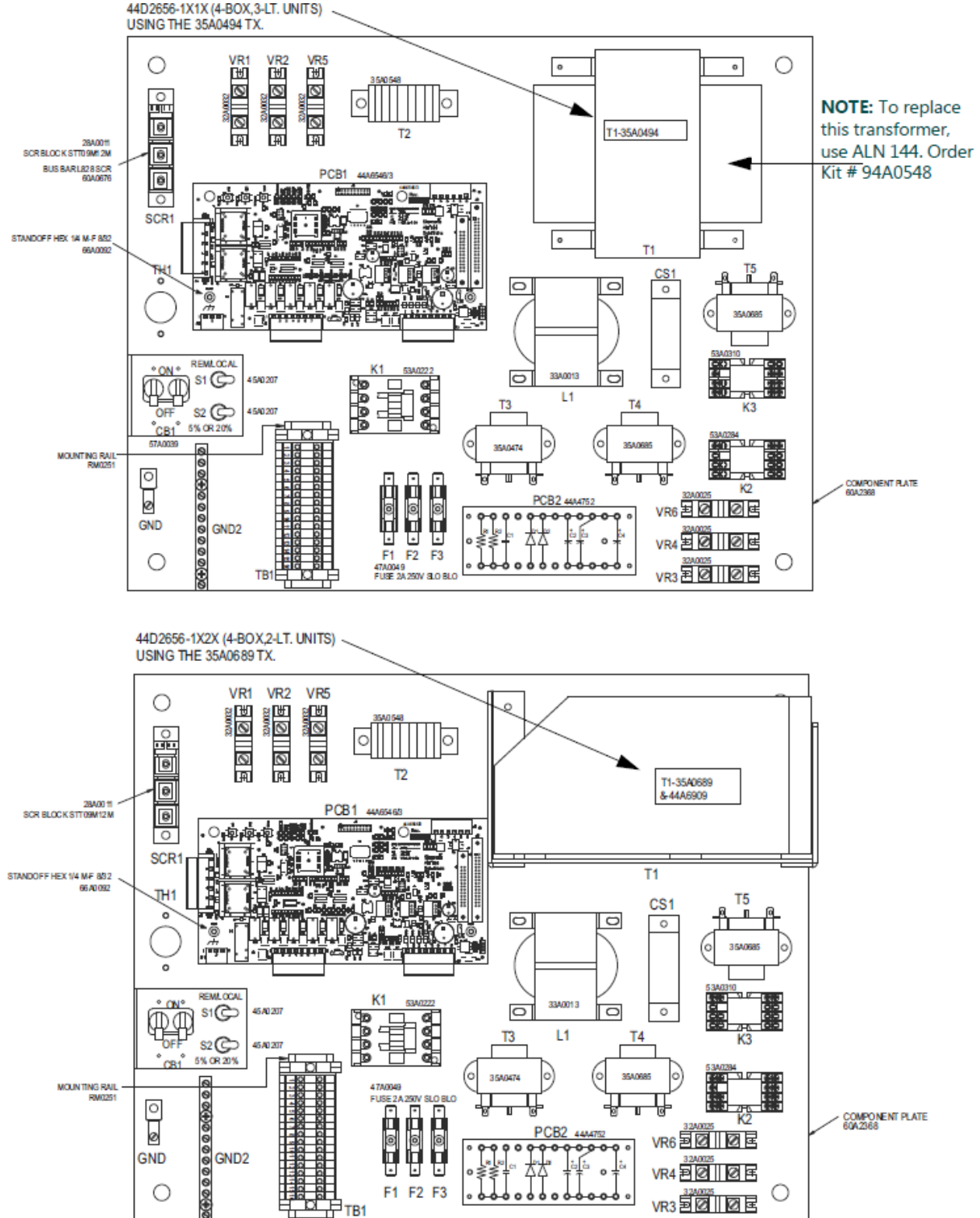


Table 4: L-880/L-881 PAPI Style A Optical Box Final Assembly Parts List

Item	Description	Part Number	Quantity	Note
1	Tilt switch assembly			
	Tilt switch assembly, Class I, -35 °C, without Heater	44A5863-2	1	
	Tilt switch assembly, Class II, -55 °C, with heater	44A5863-1	1	
2	Lamp, 200 W, 6.6 A	48A0077-1	See note.	A
3	Shorting device PCB	44D4538	1	B
4	Light box assembly			
	Light box assembly, two lights	60A2356	1	
	Light box assembly, three lights	60A2357	1	
5	Adjustable leg assembly	44C2362/SS	See note.	C
6	Frangible coupling assembly	44B0180	See note.	C
7	Coupling (Near TC616)	77A0009	See note.	C
8	Base flange	62B0107-2	See note.	C
9	Plug			
	Plug, two light	63B0371-21	2	
	Plug, three light	63B0371-23	2	

NOTE A: Two required for two-lamp assembly; three required for three-lamp assembly. Refer to *Replacing Lamp* in *Maintenance Procedures* in Section 5, *Maintenance*.

NOTE B: PCB is mounted vertically on inside back of light box for two-lamp box.

NOTE C: Three required for three-leg assembly; four required for four-leg assembly.

NS: Not Shown

2.3 Optical Assembly Parts List

Table 5: Lamp Reflector Assembly Parts

Description	Part Number	Quantity	Note
Protective glass	63A0984	1	
Gasket for outer protective glass	63A1211	1	
Two-lamp lens	44A6034	2	A
Three-lamp lens		3	
Two-lamp filter	1438.12.220 Canada	2	A
Three-lamp filter	63A1019 FAA	3	
Two-lamp reflector	44A5996	2	A
Three-lamp reflector		3	

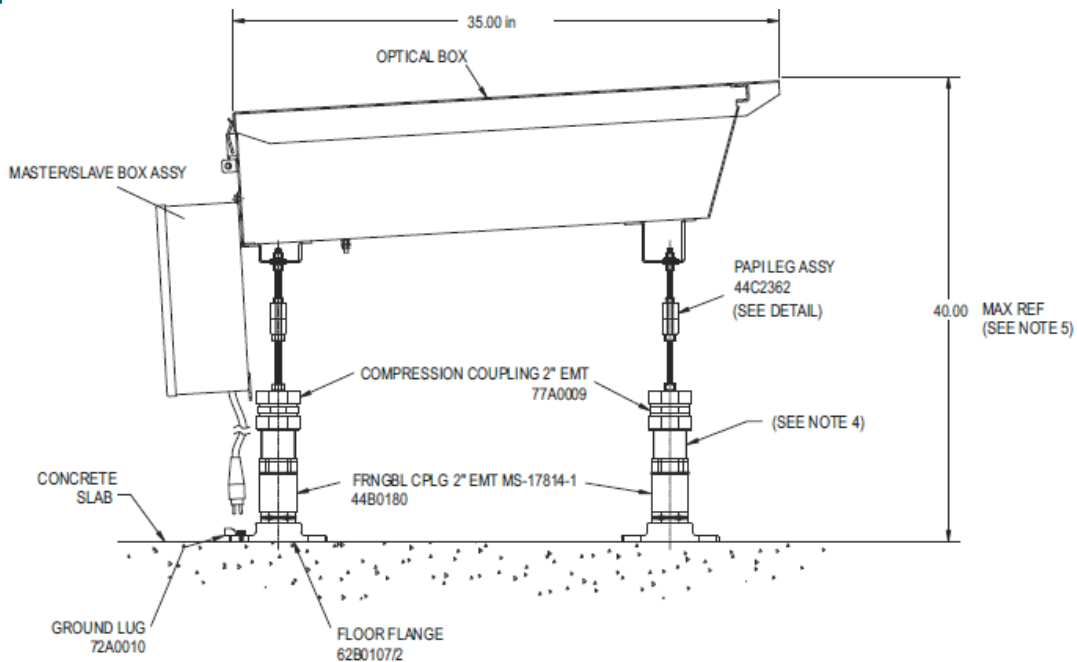
Notes

Table 5: Lamp Reflector Assembly Parts (Continued)

Description	Part Number	Quantity	Note
-------------	-------------	----------	------

^A Trained Qualified Personnel installation only.

Figure 5: Optical Box Side View



NOTES: from 44A4743:

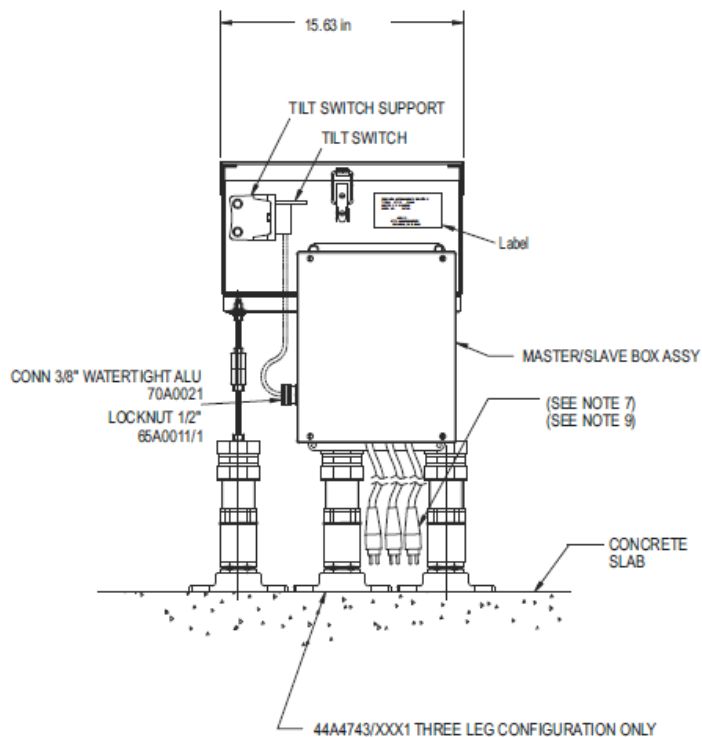
#4: 2 inch EMT diameter (2 3/16 O.D.) Tube to be supplied and installed by contractor. Length to be determined at installation to adjust for uneven terrain and to mount light box at the correct elevation above runway. 2" EMT tube to extend 3 1/4 inches into item M1 and 1 1/2 inches into item M5 to insure straight installation. Tube must be painted int. orange FED. STD. 595A, Color# 12197 to reduce corrosion.

#5: See AC 150/5345-28 for exceptions

#7: Contractor to supply flexible conduit and couplings for cord sets to power supply and master/slave.

#8: See 43B1649 and 43B1650/2 for slave/master wiring.

#9: The nominal cord set length is 72 in. Since the length required for installation depends on the height of the PAPI unit and distance of the bottom of the unit from the wire entry point in the can or conduit, the customer should check the length required. If a longer or shorter cord set is required, the wires may be spliced (in accordance with local codes)



2.4 Adjustable Leg Parts

See Figure 6 . Leg assembly part number is 44C2362/SS.

Figure 6: Adjustable Leg 43C2362/SS

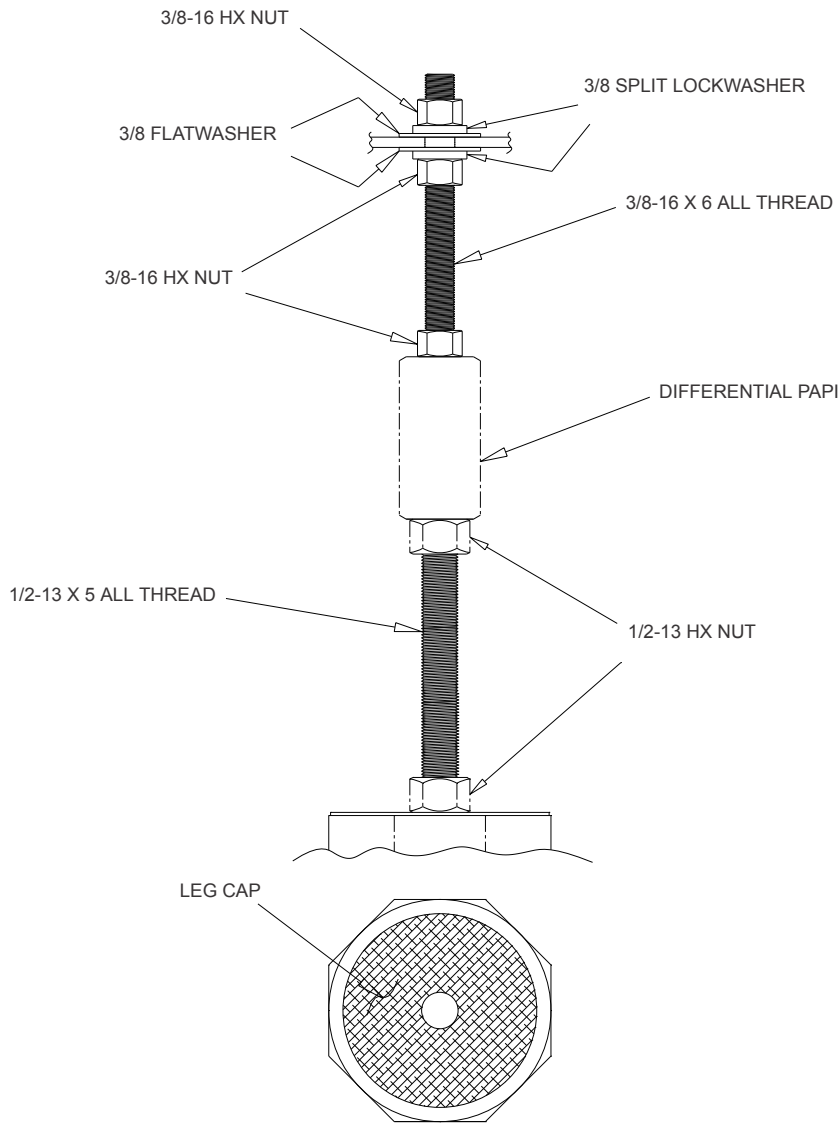
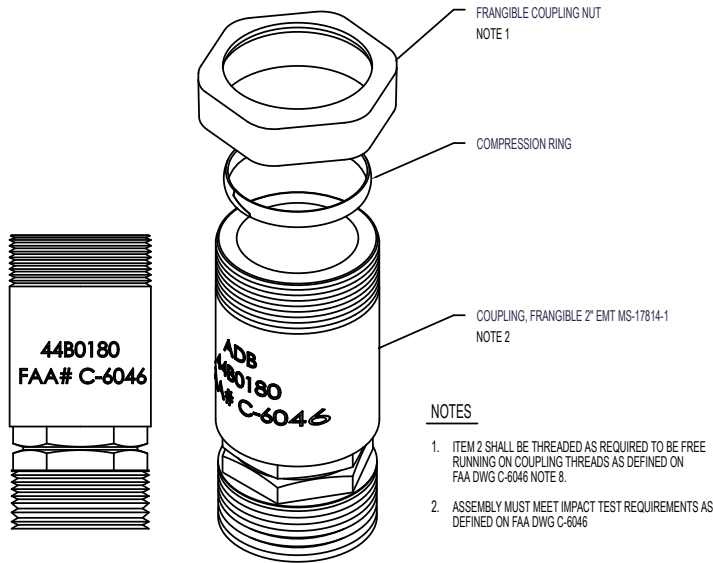


Figure 7: Frangible Coupling 44B0180



2.5 PAPI Style A L-880 (4-Box) Field Splice Kit Parts List

This subsection provides parts for the L-880 PAPI A field splice kit with and without interlock option.

Table 6: PAPI Style A L-880 (4-Box) Field Splice Kit (With Interlock Option) Parts List

Item	Description	Part Number	Quantity	Note
NS	L-880 field splice kit (with interlock option)	94A0235-1	1	
NS	Frangible coupling	62A0711	4	
NS	6-pin female plug	73A0129	6	
NS	One-inch (25.4 mm) cable clamp	63A0563	4	
NS	Connector secondary kit plug	70A0050	1	
NS	Field splice heatshrink tube, 6 in. (152 mm) long	71A0053	15	
NS	Field butt splice for wire	71A0054	30	

NS: Not Shown

Table 7: PAPI Style A L-880 (4-Box) Field Splice Kit (Without Interlock Option) Parts List

Item	Description	Part Number	Quantity	Note
NS	L-880 field splice kit (without interlock option)	94A0235-3	1	
NS	Frangible coupling	62A0711	4	
NS	6-pin female plug	73A0129	6	
NS	One-inch (25.4 mm) cable clamp	63A0563	4	
NS	Field splice heatshrink tube, 6 in. (152 mm) long	71A0053	15	

Table 7: PAPI Style A L-880 (4-Box) Field Splice Kit (Without Interlock Option) Parts List (Continued)

Item	Description	Part Number	Quantity	Note
NS	Field butt splice for wire	71A0054	30	

NS: Not Shown

2.6 PAPI Style A L-881 (2-Box) Field Splice Kit Parts List

This subsection provides parts for the L-881 PAPI A field splice kit with and without interlock option.

Table 8: PAPI Style A L-881 (2-Box) Field Splice Kit (With Interlock Option) Parts List

Item	Description	Part Number	Quantity	Note
NS	L-881 field splice kit (with interlock option)	94A0235-2	1	
NS	Frangible coupling	62A0711	4	
NS	6-pin female plug	73A0129	6	
NS	One-inch (25.4 mm) cable clamp	63A0563	4	
NS	Connector secondary kit plug	70A0050	1	
NS	Field splice heat shrink tube, 6 in. (152 mm) long	71A0053	15	
NS	Field butt splice for wire	71A0054	30	

NS: Not Shown

2.7 PAPI Style A L-881 (2-Box) Field Splice Kit (Without Interlock Option) Parts List

Item	Description	Part Number	Quantity	Note
NS	L-881 field splice kit (without interlock option)	94A0235-4		
NS	Frangible coupling	62A0711	4	
NS	6-pin female plug	73A0129	6	
NS	One-inch (25.4 mm) cable clamp	63A0563	4	
NS	Field splice heat shrink tube, 6 in. (152 mm) long	71A0053	15	
NS	Field butt splice for wire	71A0054	30	

NS: Not Shown

Table 9: PAPI Style A Aiming Device Kit Parts List

Item	Description	Part Number	Quantity	Note
NS	Aiming Device Kit	44A6031	See note.	A

NOTE A One per airport.
NS: Not Shown

2.8 Spare Parts

Table 10: PAPI A Spare Parts

Item	Description	Part Number	Quantity	Note
2	Lamp, 200 W, 6.6 A	48A0077-1	See note.	A, C
	Lamp driver/tilt sensing PCB (2 & 3 lamp)	44A5857		
	LC Control Board	44A6546-3		F
1	Tilt switch assembly, Class I, -35 °C, without Heater	44A5863-2	1	C
1	Tilt switch assembly, Class II, -55 °C, with heater	44A5863-1	1	C
	PAPI-control PCB	44A6546-3	1	C
	Optical box, 2-lamp	44A5861-1	1	C
	Optical box, 3-lamp	44A5861-2	1	C
	Master box, 240 V, 4 box	44D4734-1210	1	D
	Master box, 240 V, 2 box	44D4734-2210	1	D
	Frangible coupling	44B0180	See note	B
	Frangible coupling 2" EMT	62A0711	See note	B
	Leg assembly	44C2362/SS	See note	B, E
	SCR Block	28A0011	1	D
NS	Shorting Device	44D4538	1	
NS	Spare Lamp Kit	94A0337	1	G
NS	Glass, protective (2 lamp PAPI) Glass, protective (3 lamp PAPI)	63A0984	1	
		63A0671-1	1	
NS	Gasket, 2 lamp optical assembly Gasket, 3 lamp optical assembly	63A1211	1	
		63A1211	1	
NS	Red filter 6.61 inch length Red filter 6.07 inch length (units sold after 2005)	1438.12.220	See note.	A
		63A1019		

NOTE A: Three required for three-lamp assembly; two required for two-lamp assembly. Refer to "Replacing Lamp" on page 62.

NOTE B: Three required for three-leg assembly; four required for four-leg assembly.

Note C: See [PAPI Style A Master Box Assembly Parts List](#).

Note D: See [Figure 3](#).

Note E: See [PAPI Style A Master Box Assembly Parts List](#).

Note F: For PAPI As ordered before Fall 2007, the LC Control Board may have part no. 44D1475/3. This part is now obsolete. To order a retrofit kit, use part no. 94A0549 for both L-880 and L-881. An L-880 unit also requires part no. 94A0548 to replace the T1 transformer.

Note G: For installations before May 2002. Spare Lamp Kit includes lamp and disconnects to convert power leads so lamp 48A0077-1 can be installed.

NS: Not Shown

Appendix A: SUPPORT

Our experienced engineers are available for support and service at all times, 24 hour/7 days a week. They are part of a dynamic organization making sure the entire ADB SAFEGATE is committed to minimal disturbance for airport operations.

ADB SAFEGATE Support

Live Technical Support - Americas

If at any time you have a question or concern about your product, just contact ADB SAFEGATE's technical service department. Trained in all areas of system issues, troubleshooting, quality control and technical assistance, our highly experienced Technical support specialists are available 24 hours a day, seven days a week to provide assistance over the phone.

ADB SAFEGATE **Americas Technical Service & Support (US & Canada): +1-800-545-4157**

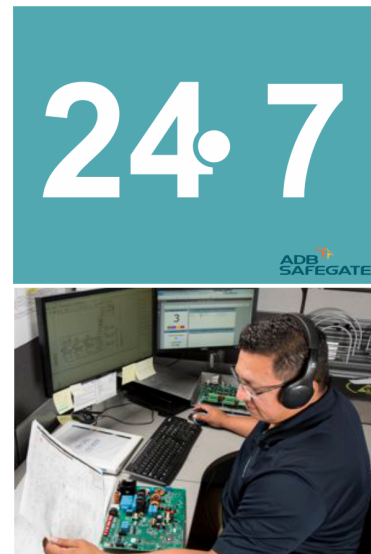
ADB SAFEGATE Americas Technical Service & Support (International): +1-614-861-1304

During regular business hours, you can also Chat with a Service Technician. We look forward to working with you!

Before You Call

When you have an airfield lighting or system control system problem it is our goal to support airfield maintenance staff as quickly as possible. To support this effort we ask that you have the following information ready before calling.

- The *airport code*
- If not with an airport, then company name (prefer customer id number)
- Contact phone number and email address
- Product with part number preferable or product number
- Have you reviewed the product's manual and troubleshooting guide
- Do you have a *True RMS* meter available (and any other necessary tools)
- Be located with the product ready to troubleshoot



Note

For more information, see www.adbsafegate.com, or contact ADB SAFEGATE Support via email at support@adbsafegate.com or

Brussels: +32 2 722 17 11

Rest of Europe: +46 (0) 40 699 17 40

Americas: +1 614 861 1304. Press 3 for technical service or press 4 for sales support.

China: +86 (10) 8476 0106

A.1 ADB SAFEGATE Website

The ADB SAFEGATE website, www.adbsafegate.com, offers information regarding our airport solutions, products, company, news, links, downloads, references, contacts and more.

A.2 Recycling

A.2.1 Local Authority Recycling

The disposal of ADB SAFEGATE products is to be made at an applicable collection point for the recycling of electrical and electronic equipment. The correct disposal of equipment prevents any potential negative consequences for the environment and human health, which could otherwise be caused by inappropriate waste handling. The recycling of materials helps to conserve natural resources. For more detailed information about recycling of products, contact your local authority city office.

A.2.2 ADB SAFEGATE Recycling

ADB SAFEGATE is fully committed to environmentally-conscious manufacturing with strict monitoring of our own processes as well as supplier components and sub-contractor operations. ADB SAFEGATE offers a recycling program for our products to all customers worldwide, whether or not the products were sold within the EU.

ADB SAFEGATE products and/or specific electrical and electronic component parts which are fully removed/separated from any customer equipment and returned will be accepted for our recycling program.

All items returned must be clearly labeled as follows:

- For *ROHS/WEEE* Recycling
- Sender contact information (Name, Business Address, Phone number).
- Main Unit Serial Number.

ADB SAFEGATE will continue to monitor and update according for any future requirements for *EU directives* as and when *EU member states* implement new *regulations* and or *amendments*. It is our aim to maintain our *compliance plan* and assist our customers.

Company Addresses

ADB SAFEGATE, Belgium	ADB SAFEGATE BV Leuvensesteenweg 585, B-1930 Zaventem Belgium
Contact: Tel.: +32 2 722 17 11 Fax: +32 2 722 17 64	Email: marketing@adbsafegate.com Internet: www.adbsafegate.com
ADB SAFEGATE, Americas	ADB SAFEGATE Americas LLC 977 Gahanna Parkway, Columbus, OH 43230 USA
Contact: Tel.: +1 (614) 861 1304 Fax: +1 (614) 864 2069	Email: sales.us@adbsafegate.com Internet: www.adbsafegate.com
ADB SAFEGATE, Sweden	ADB SAFEGATE Sweden AB Djurhagegatan 19 SE-213 76 Malmö Sweden
Contact: Tel.: +46 (0)40 699 17 00 Fax: +46 (0)40 699 17 30	Email: marketing@adbsafegate.com Internet: www.adbsafegate.com
ADB SAFEGATE, China	ADB SAFEGATE Airfield Technologies Ltd. China Unit 603, D Block, CAMIC International Convention Center, No 3, Hua Jia Di East road, ChaoYang district, Beijing 100102 P.R. China
Contact: Tel.: +86 (10) 8476 0106 Fax: +86 (10) 8476 0090	Email: china@safegate.com Internet: www.adbsafegate.com
ADB SAFEGATE, Germany	ADB SAFEGATE Germany GmbH Konrad-Zuse-Ring 6, D-68163 Mannheim Germany
Contact: Tel.: +49 (621) 87 55 76-0 Fax: +49 (621) 87 55 76-55	Email: marketing@adbsafegate.com Internet: www.adbsafegate.com



Powering Your Airport Performance from Approach to Departure

adbsafegate.com

Copyright © ADB SAFEGATE, all rights reserved

