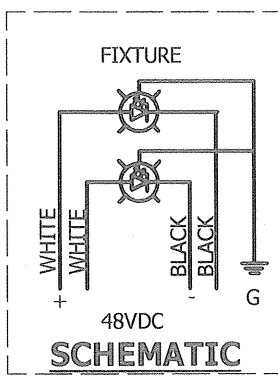
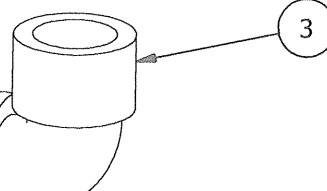
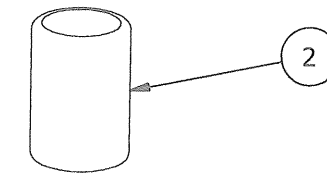
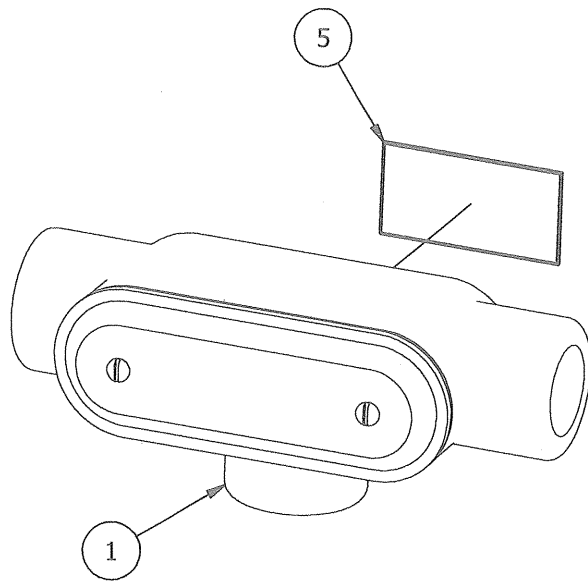
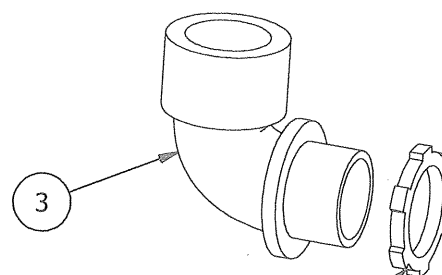
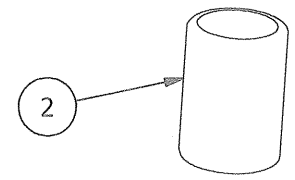
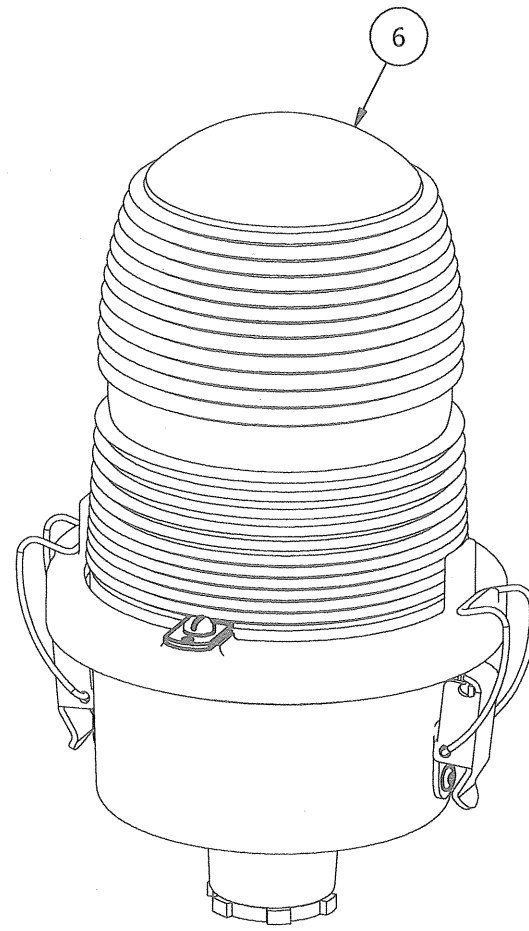
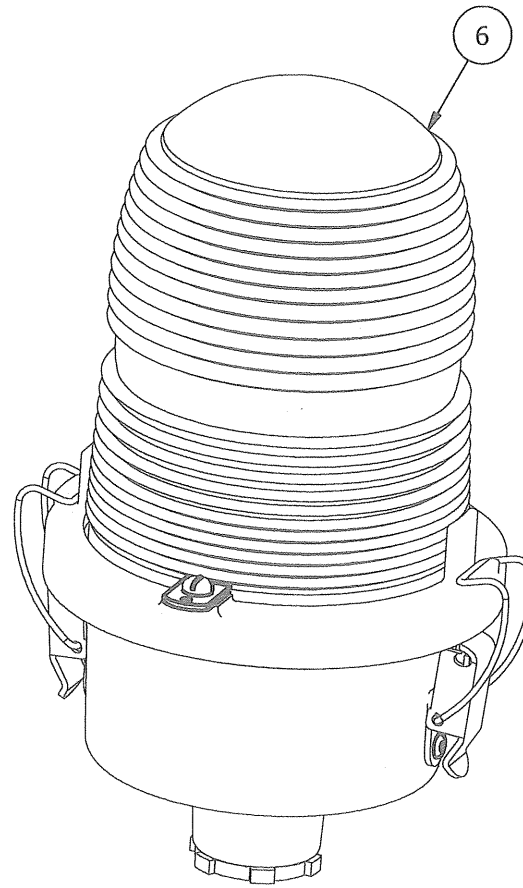


4

3

2

1



Parts List			
ITEM	QTY	STOCK NUMBER	DESCRIPTION
1	1	T27CG	T27 CONDULET W/COVER & GSKT
2	2	34CLNP	3/4" GALV CLOSED NIPPLE
3	2	EL3490	1" 90 DEGREE SHORT ELBOW GALV
4	3	A314	3/4" CONDUIT LOCKNUT GALV.
5	1	100680	OL1/2 LED SERIAL # LABEL
6	2	OL1VBH34LED4	FAA OL16LED 48VDC VALOX LED BH SL 3/4
6.1	1	* 105RV	SINGLE SIDELIGHT BODY
6.2	1	* 106V	VALOX LENS HOLDER RING
6.3	2	* HC255SS	SIDELIGHT LATCH
6.4	1	* OLG2	OL1 6 LED GASKET
6.5	16	* 18PRSS	1/8 X .45 SS POP RIVET
6.6	.5	* 7X7SS	1/16 HOL 7X7 S.S. WIRE
6.7	2	* A1A	STAKON CRIMP
6.8	1	* A314	3/4" CONDUIT LOCKNUT GALV.
6.9	3	* 12V245	OL LENS CLIP
6.10	3	* 832X14PH	8-32 X 1/4 PH SS SLOT SCREW
6.11	1	* N400C	SIDELIGHT LENS CLEAR ACYRLIC
6.12	1	* PS48-54/24	48VDC POWER SUPPLY
6.13	6	* STE01-047	LED VERTICAL PCB
6.14	1	* 100588	OL 6LED BASE PLATE
6.15	1	* 100591	OL 6LED STAR DISK
6.16	6	* STD05008	LED EMITTER
6.17	1	* A10290	5/32" ID RUBBER GROMMET
6.18	.3	* 20RED	#20AWG RED WIRE
6.19	2	* WIRENUTRED	RED WIRE NUT FOR WIRE

* = ITEMS NOT SHOWN

NOTES:

1. "WARNING" WHEN CONNECTING THIS LIGHT FIXTURE TO DC VOLTAGE, POLARITY MUST BE CORRECT. IF POLARITY IS REVERSED THE UNIT COULD BE PERMANENTLY DAMAGED.
2. "WARNING" INPUT VOLTAGE IS 48 DC VOLTAGE 10%. OVER VOLTAGE COULD PERMANENTLY DAMAGE THE UNIT.
3. SOME UNITS SUPPLIED WITH 16 OHM, 2 WATT RESISTOR INSTALLED ON INPUT SIDE OF UNIT, TO ACCEPT HIGHER THAN DESIGNED VOLTAGE.

48VDC DOUBLE 3/4" VALOX LED FIXTURE
PART# (OL2VLED4)

PROD DEPT: _____
SERV DEPT: _____
ENGINEER: _____

TWR Lighting, Inc. HAFK
Enlightened Technology®

DRAWN BY: J.ZAMORANO		SHEET SIZE: B	SHEET QTY: 1 OF 1
DATE: 6/9/2006	SCALE: N.T.S	DWG. NO. 100698	

AUTHOR	DATE	REV	DESCRIPTION
J.ZAMORANO	10/14/2015	C	UPDATED DRAWING

The use of non-OEM parts or modifications to original equipment design will void the manufacturer warranty and could invalidate the assurance of complying with FAA requirements as published in Advisory Circular 150/5345-43. NOTICE: The drawings and photographic images contained herein are the sole property of TWR Lighting, Inc. All information contained herein that is not generally known shall be considered confidential except to the extent the information has been previously established. The drawings and photographic images contained herein may not be reproduced, copied or used as the basis for manufacture or sale or promotion or any other purpose without the expressed written permission of TWR Lighting, Inc.

4

3

2

1