
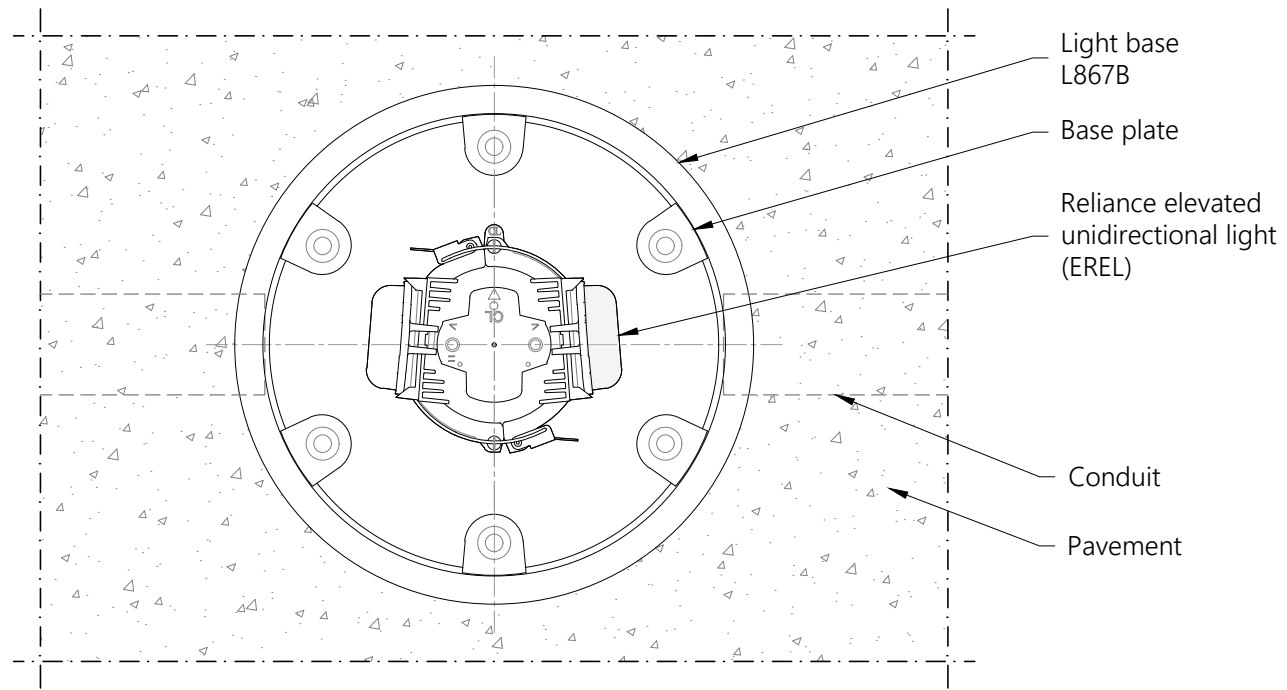


SECTION
 RELIANCE UNIDIRECTIONAL ELEVATED LIGHT
 Scale 1/5

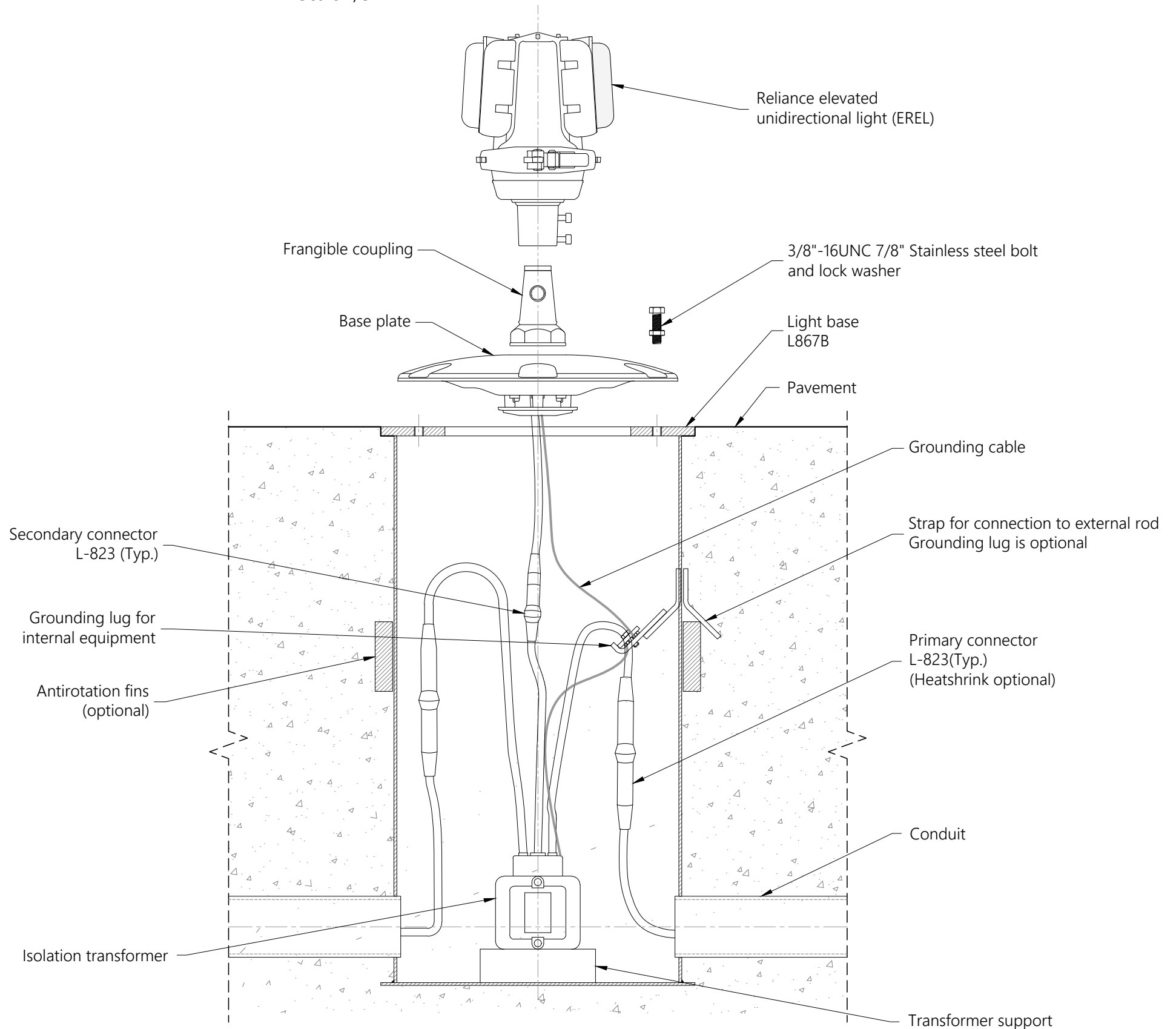
TOP VIEW
 RELIANCE UNIDIRECTIONAL ELEVATED LIGHT
 Scale 1/3

- NOTES:
1. This drawing shows general installation details related to ADB Safegate products and is for information only, not for construction. The designer must verify compliance of design with local standards and varying characteristics for each unique airfield project.
 2. Pavement types and dimensions shown are only indicative. Installation details may vary depending on project specific pavement types and dimensions.
 3. Please refer to product installation manual for installation process details.
 4. ADB Safegate waives its liability for wrongful use of the information.

	RELIANCE LIGHT (EREL)	SCALE: AS SHOWN DRAWN BY: JA DATE: 20/12/2023	UNIT: mm CHECKED BY: TH SHEET: 1-2
	ELEVATED UNIDIRECTIONAL TYPICAL INSTALLATION DETAILS	ADBSG_A_AGL_RELIANCE-E_EREL_Uni_01	



TOP VIEW
RELiance UNIDIRECTIONAL ELEVATED LIGHT
Scale 1/5



1 PIECE L-867B BASE INSTALLATION
RELiance UNIDIRECTIONAL ELEVATED LIGHT
Scale 1/5

NOTES:

1. This drawing shows general installation details related to ADB Safegate products and is for information only, not for construction. The designer must verify compliance of design with local standards and varying characteristics for each unique airfield project.
2. Pavement types and dimensions shown are only indicative. Installation details may vary depending on project specific pavement types and dimensions.
3. Please refer to product installation manual for installation process details.
4. ADB Safegate waives its liability for wrongful use of the information.



RELiance LIGHT (ERL)
ELEVATED UNIDIRECTIONAL
TYPICAL INSTALLATION DETAILS

SCALE: AS SHOWN
DRAWN BY: JA
DATE: 20/12/2023

UNIT: mm
CHECKED BY: TH
SHEET: 2-2

ADBSG_A_AGL_RELiance-E_ERL_Uni_01