

L-806(L) LED Supplemental Wind Cone



ETL Certified to FAA AC 150/5345-27F
Windcone/ Wind Direction Indicator for
- VERTIPOINT - HELIPOINT -AIRPORT

Applications:

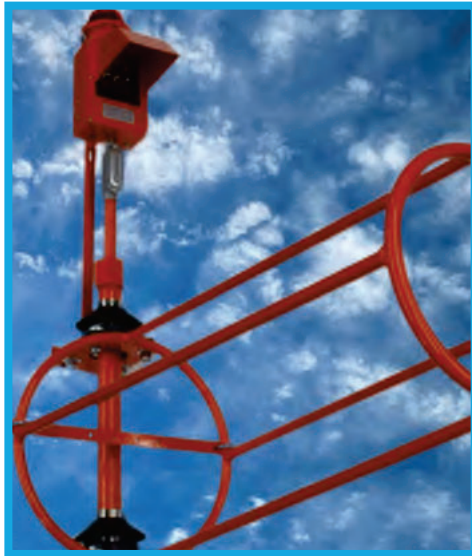
Provides visual indication of wind direction and velocity for pilots at Vertiports, Heliports, smaller airfields, and as supplemental wind indicators near runway touchdown areas on large airfields.

Features

- Perfect for Vertiports, Heliports or Airports
- Pre-assembled bearings and basket for easy installation
- Mounting options include: Roof, Wall, Floor Flange, 2" NPT Conduit or L-867 Base Plate
- Certified to FAA AC 150/5345-27F by ETL
- 50,000 to 100,000 hour LED lamp life, virtually maintenance free. 4 year warranty
- 80-90%less power consumption than halogen lamps
- NVG visibility
- **Solar power option available**-eliminate long underground wire and conduit installations! Wind cone certified to FAA AC 150/5345-27F by ETL
- Marine Treated Option (recommended for installations within 100miles of saltwater) available for increased useful life in corrosive environments
- Size 1 (18" diameter x 8' long) wind sock (berry compliant) treated for rot, mildew, and water repellent
- One piece welded aluminum basket
- Powder coat painted international orange
- Manufactured by Hali-Brite® Inc.



Internal Light Kit



External Light Kit



Optional Solar Power Supply SPS-100

Ordering Information

L-806-S1-XX-XXX-XX

Mounting Options

L806-FM= Flange Mount

L806-WM= Wall Mount

L806-RM= Roof Mount

HS= Hinged Steel Pole

ST= Steel Pole (non-hinged)

HA= Hinged Aluminum Pole

AL= Aluminum Pole (non-hinged)

120= 120 Volt, 14-19watts

66A= 6.6amp, 52-65watts

12= 12 Volt, 6watts

230= 230/240V 50/60hz 14-21watts

NON= Unlighted

IN= Internally Lighted (FAA Style I-B)

EX= Externally Lighted (FAA Style I-A)

UN= Unlighted

*230V Models are not certified by ETL

Options:

L806-Marine Treat "Marine Treated" for corrosive environments, within 100mi of saltwater. Includes: marine treated powder coat, stainless steel bearings/hardware

L806-Anchor Cage Welded anchor cage for embedding in concrete.

SPS-100-2 Solar Power Supply for 12v windcone models

L806-Hinge Plate Base Hinge Plate for L806

7400-0000-1 FAA Size 1, 18" throat by 8' long, berry compliant windsock

1800-0025 Frangible Coupling



L806-RM

Roof/Wall Mount: Used for mounting Windcone directly to a wall or roof. Fasteners supplied by others. Must be secured directly to framing member capable of supporting the windcone



L806-WM



1800-0025 Frangible

Note; One frangible coupling included with every L806 order

L806-FM

Floor Flange Mount: Used for mounting Windcone directly to foundation. Anchors supplied by others or see optional L806-Anchor Cage

Optional L806-Anchor Cage

L-806 Anchor Cage, Welded square assembly. Used for embedding in foundation. Designed to fit L806-FM



Pole Options

- HS: Hinged Steel
- ST: Steel (non-hinged)
- HA: Hinged Aluminum
- AL: Aluminum (non hinged)



7400-0000-1 Windsock

Note; One FAA Size 1 Windsock included with every L806



L806 Hinge Plate

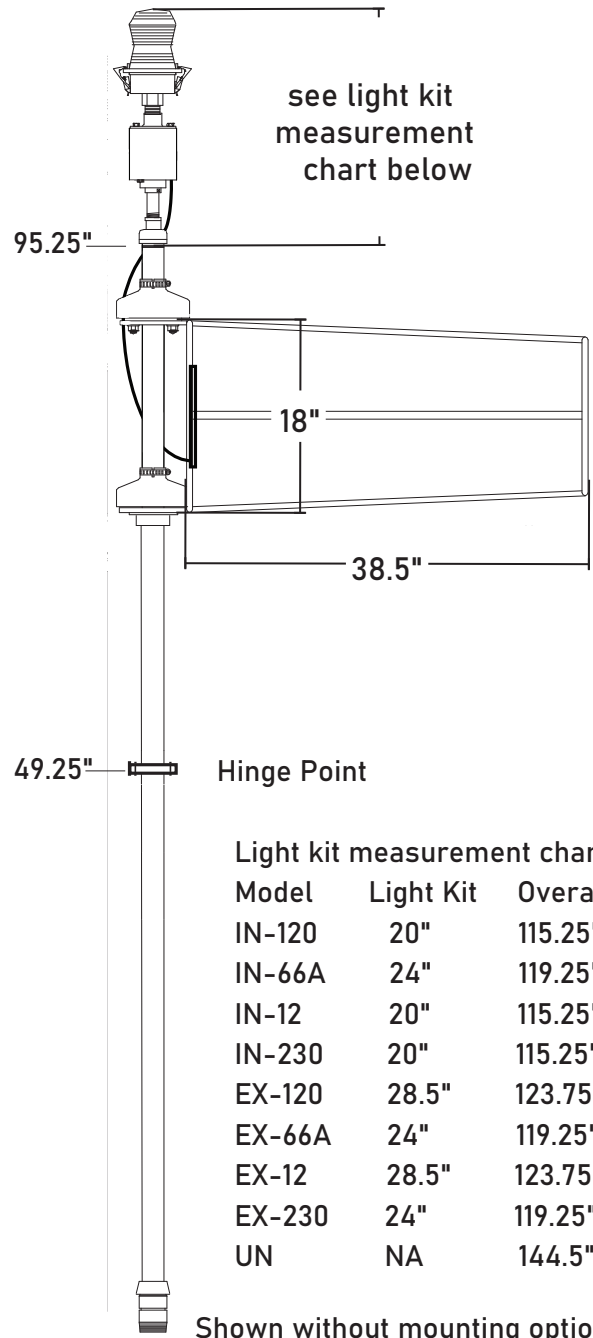
Custom built to existing foundation bolt pattern

Warranty Information

4 year warranty on LED lamps
2 year warranty on Windcone
See manual (page5) for details

Shipping Information

- Unpackaged Weight: 60Lbs
- Hinged Pole Palletized Volume:
48"x48"x30" 160Lbs (Fully Crated Option 226Lbs)
- Non-Hinged Poles Palletized Volume:
96"x48"x33" 181Lbs (Fully Crated Option 305Lbs)
- L806 With SPS-100 Palletized Volume:
96x48x40" 525Lbs (Fully Crated Option 685Lbs)



ADB SAFEGATE Customer Service & Sales Support
+1-800-545-4157, Press 4
salessupport@adbsafegate.com
ADB SAFEGATE Technical Service & Support
+1-800-545-4157, Press 3
techservice.us@adbsafegate.com