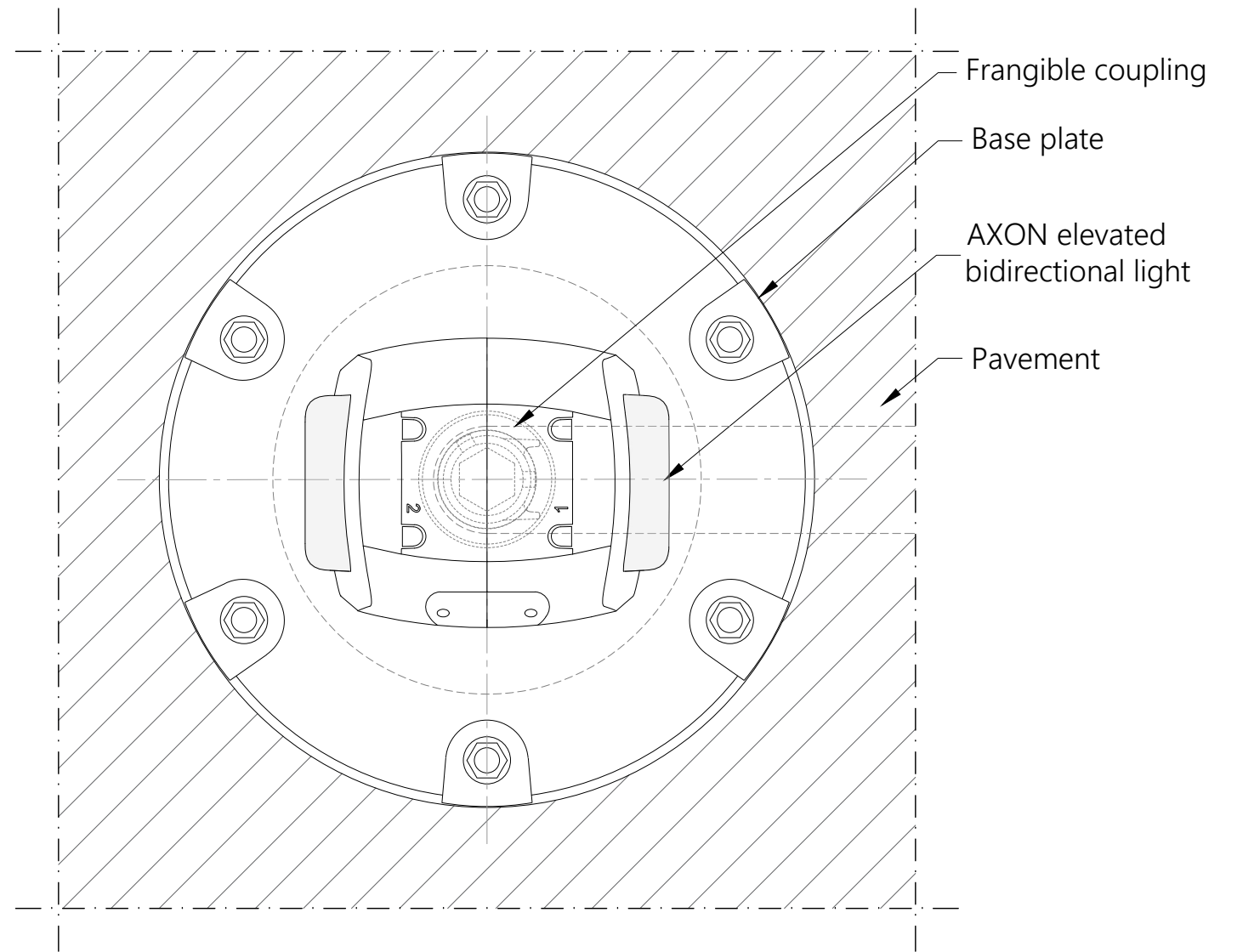



SECTION
 AXON BIDIRECTIONAL ELEVATED LIGHT
 Scale 1/5

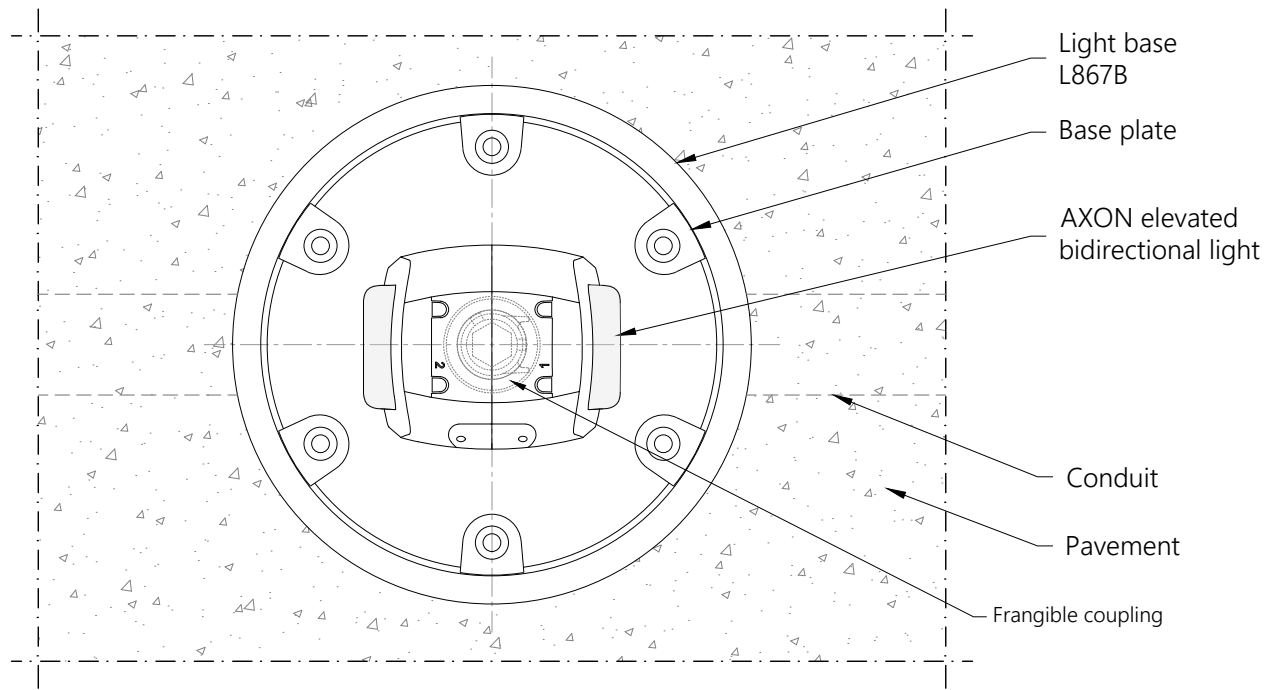


TOP VIEW
 AXON BIDIRECTIONAL ELEVATED LIGHT
 Scale 1/3

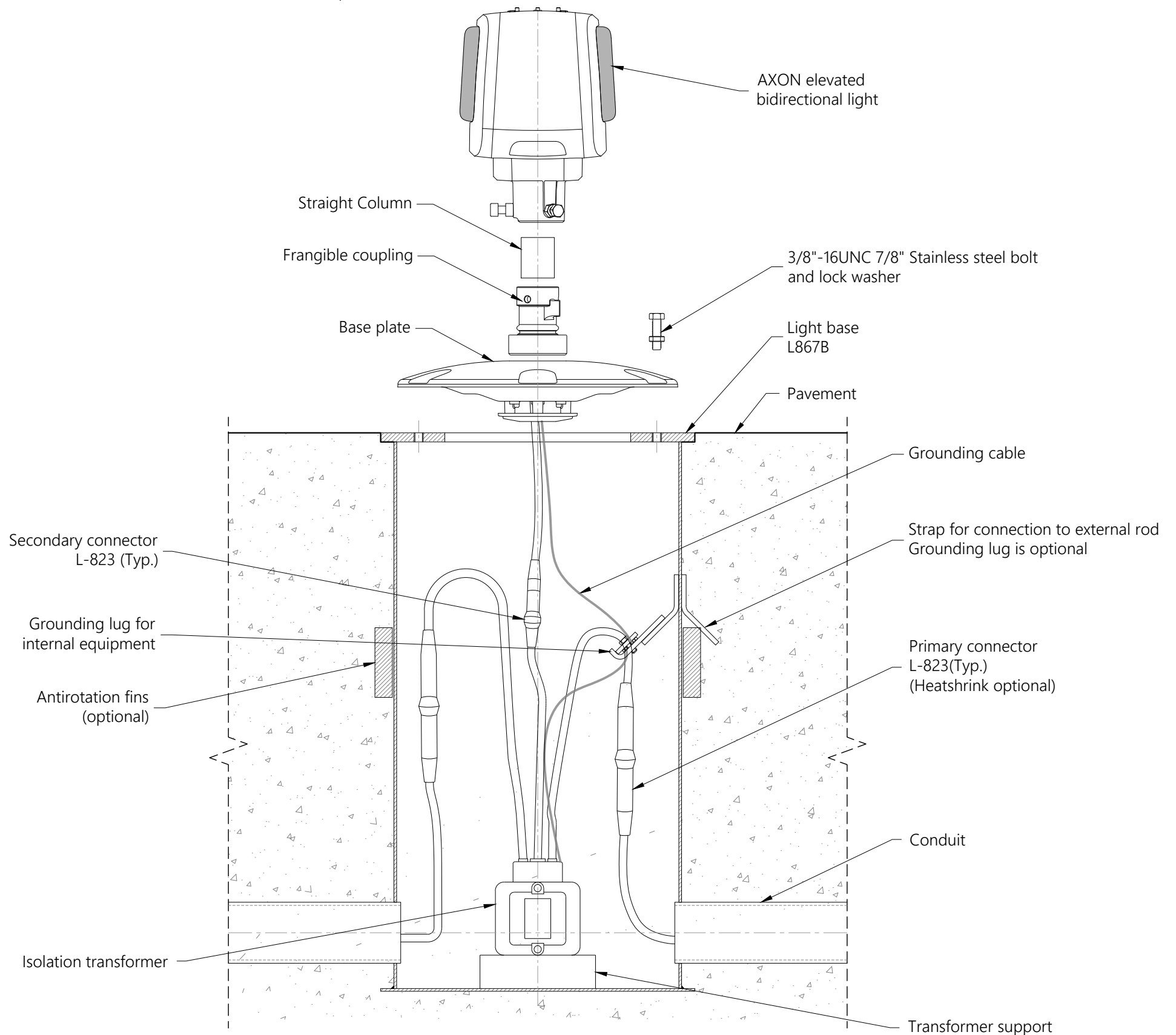
NOTES:

1. This drawing shows general installation details related to ADB Safegate products and is for information only, not for construction. The designer must verify compliance of design with local standards and varying characteristics for each unique airfield project.
2. Pavement types and dimensions shown are only indicative. Installation details may vary depending on project specific pavement types and dimensions.
3. Please refer to product installation manual for installation process details.
4. ADB Safegate waives its liability for wrongful use of the information.

	AXON LIGHT	SCALE: AS SHOWN	UNIT: mm
	ELEVATED BIDIRECTIONAL TYPICAL INSTALLATION DETAILS	DRAWN BY: SA	CHECKED BY: TH
		DATE: 02/09/2025	SHEET: 1-2
		ADBSG_A_AGL_AXON-E_XX_Bi_00	



TOP VIEW
AXON BIDIRECTIONAL ELEVATED LIGHT
Scale 1/5



1 PIECE L-867B BASE INSTALLATION
AXON BIDIRECTIONAL ELEVATED LIGHT
Scale 1/5

NOTES:

1. This drawing shows general installation details related to ADB Safegate products and is for information only, not for construction. The designer must verify compliance of design with local standards and varying characteristics for each unique airfield project.
2. Pavement types and dimensions shown are only indicative. Installation details may vary depending on project specific pavement types and dimensions.
3. Please refer to product installation manual for installation process details.
4. ADB Safegate waives its liability for wrongful use of the information.



AXON LIGHT
ELEVATED BIDIRECTIONAL
TYPICAL INSTALLATION DETAILS

SCALE: AS SHOWN
DRAWN BY: SA
DATE: 02/09/2025

UNIT: mm
CHECKED BY: TH
SHEET: 2-2

ADBSG_A_AGL_AXON-E_XX_Bi_00