

INSTALLATION & MOUNTING

Light Bases

L-867/L-868



Compliance with Standards

FAA: L-867 & L-868 AC 150/5345-42 (Current Edition)

Uses

FAA L-867

Applications subject to occasional light vehicular loads but no aircraft or other heavy vehicular loads. Some product applications are:

- Elevated Lights
- Nav aids such as Precision Approach Path Indicators (PAPI), Runway End Identifier Lights (REIL), and ALSF/MALSAR Approach Systems
- Signs
- Junction/Splice Box

FAA L-868

Applications subject to aircraft and other heavy vehicular loads. Some product applications are:

- Runway In-pavement Lights
- Taxiway In-pavement Lights
- Junction/Splice Box

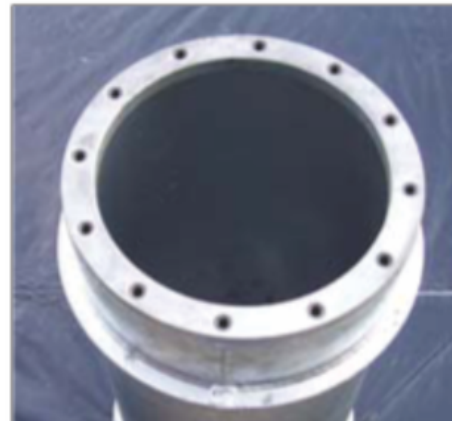
Features

- One- and two-piece configurations
- Extensions and spacers available
- Manufactured in the USA by ETL-Certified suppliers
- Supplied with 2-2" grommets or threaded hub openings at 0-180° (standard). Optional locations and sizes available.
- All bases provided with an internal and external ground strap
- One copper ground lug kit provided with each base (standard). A second ground lug kit can be provided as an option.
- Optional drain hole or hub in user-specified sizes
- Standard bases provided as Class IA, galvanized steel unless otherwise specified
- Optional Class IB available in stainless steel or internal epoxy coating. See ordering code for options.

Optional Replaceable Threaded Inserts

Optional RTI (replaceable threaded insert) system facilitates:

- Replacement of failed threaded fixture-mounting bolt holes
- Replacement of stripped, sheared, cross-threaded, frozen fixture-mounting bolts
- Does not require changing the azimuth location of the base bolt circle
- Accommodates standard, non proprietary spacer rings and flange rings (with/without dam rings)
- Kit part numbers to add RTI to L-867/L-868 bases:
 - L-867 Base – L867RTI06 (set of six inserts)
 - L-868 Base – L868RTI12 (set of twelve inserts)



L-868 Replacement Insert

INSTALLATION & MOUNTING

Light Bases RoW

Ordering Code

XXX XX XX X X X X X X X X

Material

- AC = 1A GALVANIZED BASE
- ACS = 1B STAINLESS STEEL BASE
- ACB = 1B VEGA KOTE BASE

Series

- 08 = A/ 8" L868
- 40 = A/ 8" L868 BOTTOM SECTION
- 21 = B/ 12" L867
- 20 = B/ 12" ADJUSTABLE
- 24 = B/ 12" L868
- 44 = B/ 12" L868 BOTTOM SECTION
- 35 = C/ 15" L868
- 45 = C/ 15" L868 BOTTOM SECTION
- 63 = D/ 16" L867
- 60 = D/ 16" ADJUSTABLE
- 61 = LB/ 16" 1315A
- 67 = E/ 24" L867
- 62 = LB/ 16" 4A (E-2491)

Height

- 24 = 24 INCHES OVERALL HEIGHT
- 20 = 20 INCHES OVERALL HEIGHT
- XX = CUSTOMER SPECIFIED IN INCHES

Conduit Openings

- 1 = 1"
- 2 = 2"
- 3 = 3"
- 4 = 4"
- 5 = 3/4"
- 6 = 1 1/2"
- 7 = 2" SOLID FLEX PUNCHED
- 8 = 3" SOLID FLEX PUNCHED
- 9 = 4" SOLID FLEX PUNCHED
- 0 = NONE

Conduit Type

- C = COUPLING
- H = HALF COUPLING
- Q = FLEX GROMMET
- 0 = NONE

Conduit Locations

- 1 = 0°
- 2 = 0°-180°
- 3 = 0°-90°-180°
- 4 = 0°-90°-180°-270°
- 5 = 0°-0°-90°-180°-180°
- 6 = 0°-0°-90°-90°-180°-180°
- 7 = 0°-0°-90°-90°-180°-180°-270°
- 8 = 0°-0°-90°-90°-180°-180°-270°-270°
- 9 = NA
- A = 0°-0°-180°-180°
- P = STD PLAZA: 0-180 2.5" UP & 90-270 5" UP
- 0 = NONE

Shipping Covers

- 1 = 1/2" L867 / 1315A
- 2 = 1/2" L867 w/Mudplate
- 3 = 3/4" L868
- 4 = NA
- 5 = 1 1/4" L868
- 6 = NA
- 7 = 1 1/4" LB
- 9 = 5/8" w/Mudplate
- 0 = None

Special Features

- 1 = 1/4" BOTTOM w/HOOKS
- P = 1/4" BOTTOM w/HOOKS .130 WALL
- 2 = 3 ANTI-ROTATION FINS - 120° SPACING
- 3 = TOP FLANGE PCC BAND
- 4 = MID-RING ON L868 10" OR LESS
- 5 = .109" BOTTOM w/HOOKS
- 6 = 4 ANTI-ROTATION FINS - 90° SPACING
- 7 = MID-RING ON L867
- 8 = .109 BOTTOM 4 BARS
- 9 = .109 BOTTOM 4 BARS .130 WALL
- 0 = NONE
- B = 3/4" PAVEMENT DAM, EPOXY HOOKS
- C = 5/8" PAVEMENT DAM, EPOXY HOOKS
- D = 19-28" OAH TOP 10.375 BOTTOM 18.5"
- E = 19-24" OAH TOP 6.375 BOTTOM 18.5"

Ground Straps

- 1 = INT GRD STRAP ONLY
- 2 = EXT GRD STRAP ONLY
- 3 = INT / EXT GRD STRAP
- 4 = 2 - EXT / 1 INT GRD STRAP
- 5 = EXT GRD ROD - INT STRAP
- 6 = EXT GRD ROD - INT / EXT GRD STRAP
- 7 = INT / EXT GRD STRAP W/ OFFSET HOLE FOR GRD ROD
- 8 = INT / EXT GRD STRAP - 1 AWS0919 SUPPLIED
- 9 = INT / EXT GRD STRAP - 2 AWS0919 SUPPLIED
- 0 = NONE

Drain Fitting Type

- C = COUPLING
- H = HOLE
- Q = FLEX GROMMET
- 0 = NONE

Drain Fitting Size

- 1 = 1"
- 2 = 1/2"
- 3 = 3/4"
- 4 = 1/2" OFFSET 3 1/2"
- 5 = 3/4" OFFSET 3 1/2"
- 6 = 2"
- 7 = 3"
- 8 = 1 1/2"
- 9 = 4"
- 0 = NONE

Light Bases

L-867 Light Base

- Tapped holes in top flange rings are located on centerline of couplings. Tolerance: ± 0.1875 inch (0.47 cm).
- Light bases available with either 2-inch (5.08 cm) NPT hub or 2-inch (5.08 cm) grommet openings. Couplings located 180° apart. Tolerance: $\pm 1^\circ$.
- Threads inside couplings are protected with L.D.P.E. plugs
- All light bases provided with an Exterior Grade CC plywood shipping cover that is 0.5-inch (1.27 cm) thick grade CC with 0.4375-inch (1.11 cm) diameter bolt holes
- Six 3/8-inch-16 \times 1-inch stainless steel machine screws secure the plywood shipping cover to the light base
- Optional second ground lug kit for grounding provision and/or drain coupling or weep hole must be specified when ordering
- Finish is hot dip galvanized per ASTM A123/A123M-02 and A153 or material is 304 stainless steel
- Standard lengths for the 12-inch (30.48 cm) diameter light base are 20 inches (50.8 cm) and 24 inches (60.96 cm) with a tolerance of ± 0.25 inch. Standard lengths for the 16-inch (40.64 cm) diameter light base are 20 inches (50.80 cm) and 24 inches (60.96 cm) with a tolerance of ± 0.25 inch. Standard lengths for the 24-inch (60.96 cm) diameter light base are 20 inches (50.80 cm) and 24 inches (60.96 cm) with a tolerance of ± 0.25 inch. Custom heights available.
- Adjustable L-867 telescoping bases available. Please contact the ADB Safegate Sales Department for details.

Dimensions - L-867

Inches					
Nom. Dia.	"A"	"B"	"C"	"D"	
12.0	13.500	10.250	12.250	9.250	
16.0	17.375	14.250	16.250	12.375	
24.0	24.000	21.500	22.500	20.000	
Centimeters					
Nom. Dia.	"A"	"B"	"C"	"D"	
30.5	34.290	26.035	31.115	23.495	
40.6	44.133	36.195	41.275	31.433	
61.0	60.960	54.610	57.150	50.800	

L-868 Light Base

- Light bases available with either 2-inch (5.08 cm) NPT hub or 2-inch (5.08 cm) grommeted openings. Couplings or grommeted openings located 180° apart. Tolerance: $\pm 1^\circ$
- Threads inside hubs are protected with L.D.P.E. plugs
- All light bases are provided with a nylon (standard) or plywood (optional) shipping cover:

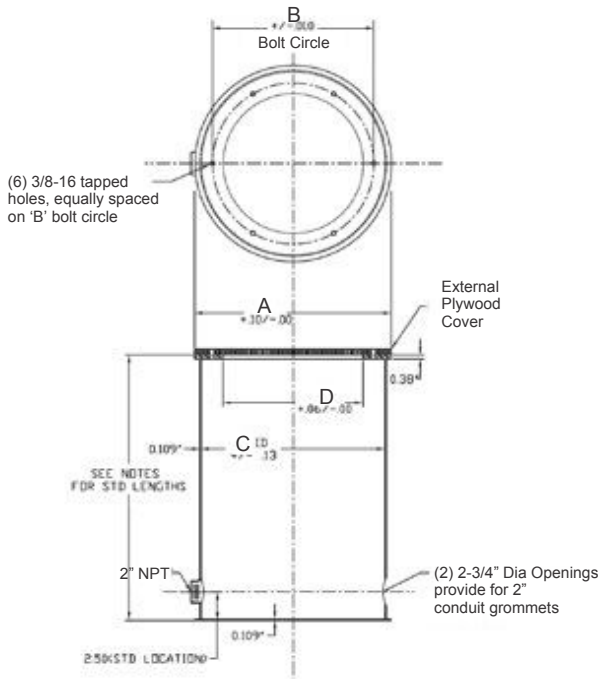
8-in (20.3 cm) Nom. O.D.:	8.5-in dia. \times 0.750-in thick (21.590 cm \times 1.905 cm)
12-in (30.5 cm) Nom. O.D.:	12.5-in dia. \times 0.750-in thick (31.75 cm \times 1.905 cm)
15-in (38.1 cm) Nom. O.D.:	17.750-in dia. \times 1.25-in thick (45.085 cm \times 3.175 cm)
- Six 3/8-inch -16 \times 1-inch stainless steel machine screws secure the plywood shipping cover to the light base
- Finish is hot dip galvanized per ASTM A123/A123M-02 and A153 or material is 304 stainless steel
- Optional Equipment – Second ground lug kit for grounding provision, drain coupling or opening. Anti-rotation bars must be specified when ordering.

Dimensions - L-868

Inches					
Nom. Dia.	"A"	"B"	"C"	"E"	"F"
8.0	8.5000	7.250	6.500	9.000	10.000
12.0	12.500	11.25	10.000	13.000	14.000
15.0	15.500	14.25	13.000	16.000	17.000
Centimeters					
Nom. Dia.	"A"	"B"	"C"	"E"	"F"
25.4	21.590	18.415	16.510	22.860	25.400
30.5	31.750	28.575	25.400	33.020	35.560
38.1	39.370	36.195	33.020	40.640	43.180

INSTALLATION & MOUNTING

Light Bases



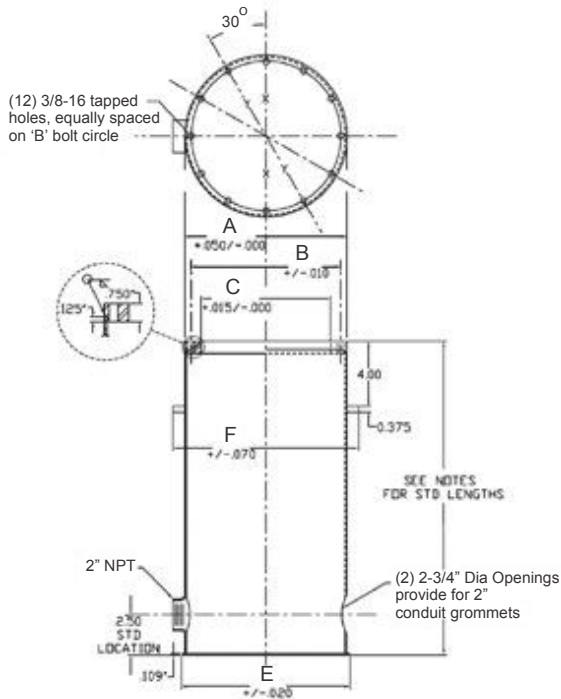
Typical L-867D - All dimensions shown in inches

L-867 Base Plate and Gasket

- Gasket suitable for locations where heat is not present, such as elevated edge lights, edge light extensions, transformer boxes, or junction boxes
- Base plate finish is oxide primer and aviation yellow enamel
- Base plate individually packed with neoprene gasket, steel cable clamp and screws for securing L-823 connector, and assembly instructions
- High-strength 1832RGL base plate is mandatory for FAA L-804 applications and should be used for ICAO applications.

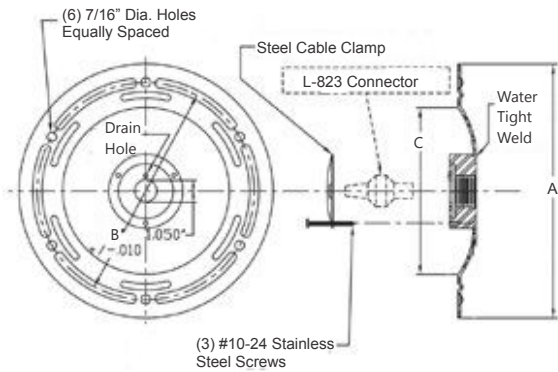
Dimensions - Base Plate

Inches				
Nom. Dia.	"A"	"B"	"C"	"D"
12	12.000	10.250	7.875	0.625
16	16.000	14.250	11.125	0.750
Centimeters				
Nom. Dia.	"A"	"B"	"C"	"D"
30.5	30.48	26.035	20.002	1.588
40.7	40.65	36.195	28.258	1.905



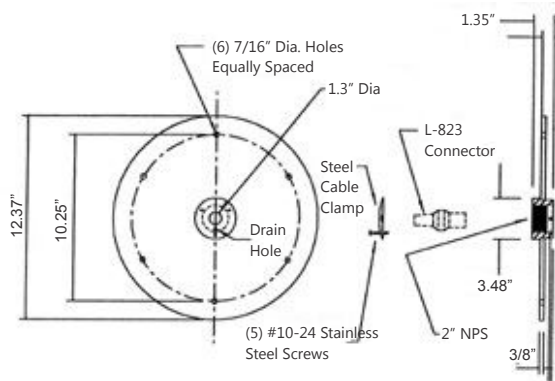
Typical L-868 - All dimensions shown in inches

Light Bases



L-867 Base Plate - All dimensions shown in inches

³ Base must have opening at 0° and 180° to allow for draining of the galvanizing materials. A solid grommet will be installed at 180°.



1832RGL Base Plate - All dimensions shown in inches

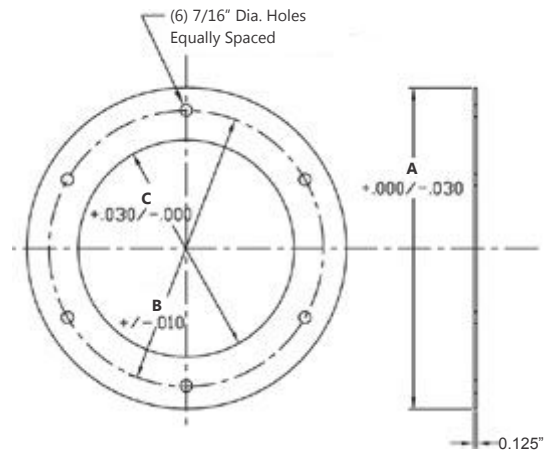
Dimensions - Neoprene Gasket

Inches			
Nom. Dia.	"A"	"B"	"C"
12	11.938	10.250	9.312
16	15.938	14.250	12.438
24	23.750	21.500	20.000
Centimeters			
Nom. Dia.	"A"	"B"	"C"
30.5	30.232	26.035	23.652
40.7	40.483	36.195	31.593
60.96	60.325	54.610	50.800

Neoprene Gasket Ordering Code

Base Plate
 20 = 12 in, L-867B
 60 = 16 in, L-867D
 70 = 24 in, L-867E

XX 52



Neoprene Gasket - All dimensions shown in inches

INSTALLATION & MOUNTING

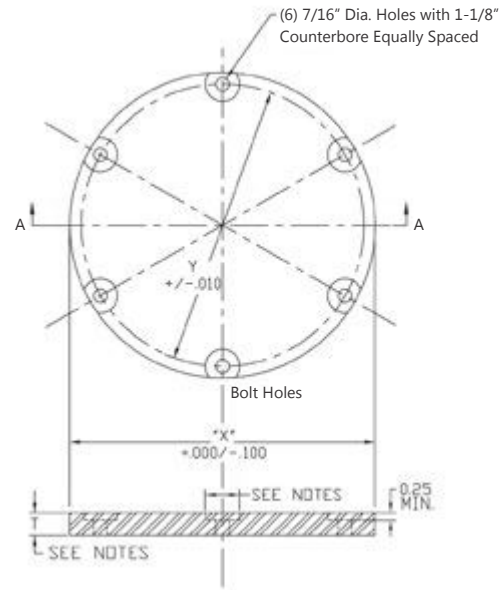
Light Bases

L-867 / L-868 Blank Steel Cover

- "T" = thickness in sixteenths of an inch. Specify thickness when ordering.
- 7/16-inch (1.113 cm) diameter bolt holes have 1-1/8-inch (2.858 cm) diameter counter bore when cover thickness is 0.50 inch (1.27 cm) or greater
- Finish is hot dip galvanized per ASTM A123/A123M-02 and A153
- Blank steel covers do not include bolts or gaskets

Dimensions - L-867 / L-868 Blank Steel Cover

Inches						
Dia. Base	12 L-867	16 L-867	24 L-867	8 L-868	12 L-868	15 L-868
"X" O.D.	13.500	17.375	24.000	8.000	12.000	15.000
"Y" O.D.	10.250	14.250	21.500	7.250	11.250	14.250
"T" (Typ.)	0.375	0.375	0.500	0.750	0.750	1.250
Centimeters						
Dia. Base	30.5 L-867	40.6 L-867	61 L-867	20.3 L-868	30.5 L-868	38.1 L-868
"X" O.D.	34.290	44.133	60.960	20.320	30.480	38.100
"Y" O.D.	26.035	36.195	54.610	18.415	28.575	36.195
"T" (Typ.)	0.953	0.953	0.953	1.905	1.905	3.175



Blank Steel Cover - All dimensions shown in inches

L-868 Flange Ring with Pavement Ring

- "T" = thickness in sixteenths of an inch. Minimum thickness is 0.375 inch (0.953 cm) and maximum thickness is 0.75 inch (1.905 cm). Specify when ordering.
- Finish is hot dip galvanized per ASTM A123/A123M-02 and A153 for flange ring
- Six 3/8-16-inch x "T"-inch + 1/4-inch long stainless steel bolts, 3/8-inch locking washers and O-ring gasket shipped with flange ring. If flange ring is to be stacked over spacer ring, please consult ADB Airfield Solutions for a bolt chart to obtain the appropriate bolt length and ordering information.

Dimensions - Flange Ring with Pavement Ring

Inches				
Nom. Dia.	"A"	"B"	"C"	"H"
8"	8.160	7.250	6.500	6.645
12"	12.160	11.250	10.000	10.145
15"	15.160	14.250	13.000	13.145
Centimeters				
Nom. Dia.	"A"	"B"	"C"	"H"
20.3	20.726	18.415	16.510	16.878
30.5	30.798	28.575	25.400	25.768
38.1	38.506	36.195	33.020	33.388

