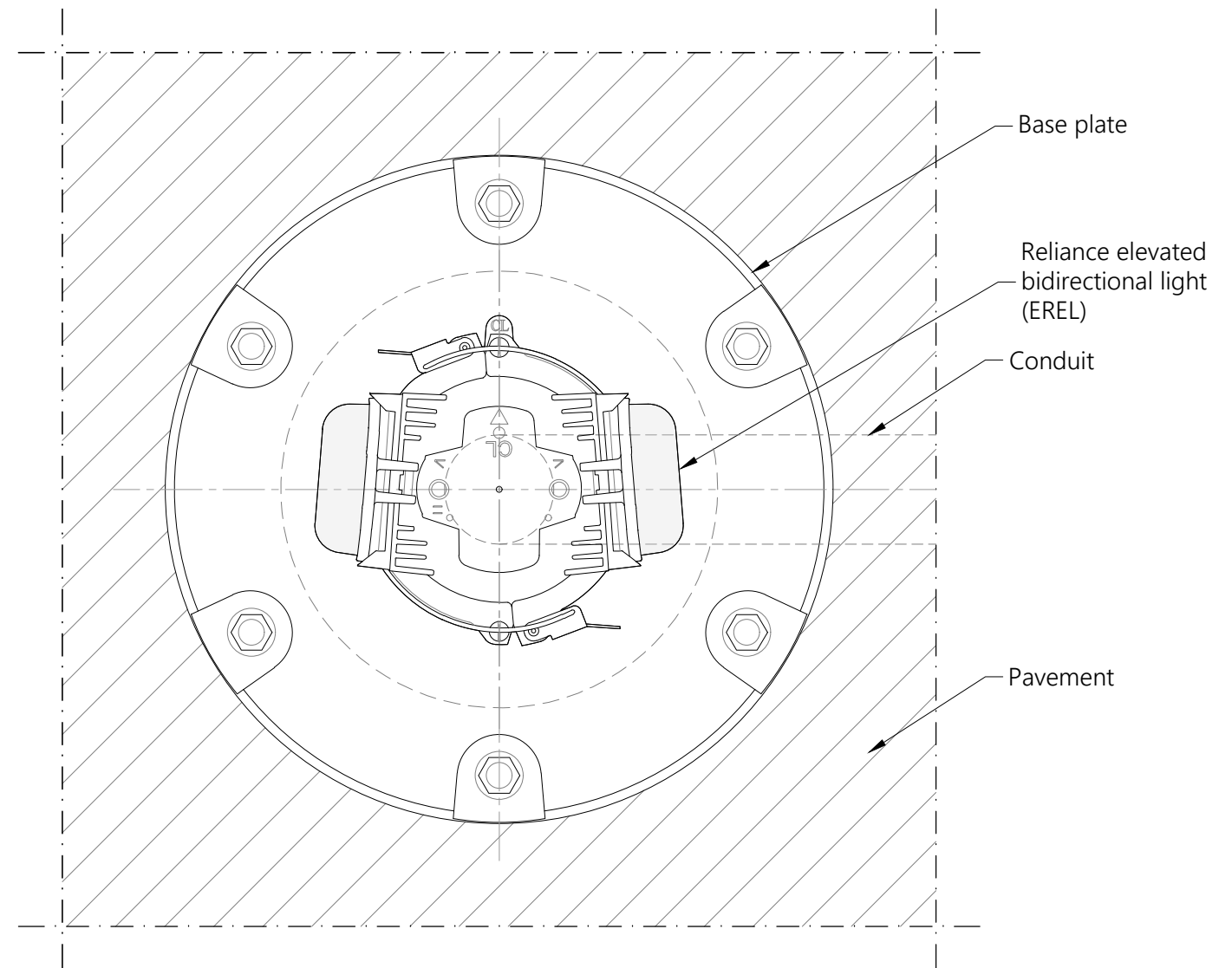


SECTION  
 RELIANCE BIDIRECTIONAL ELEVATED LIGHT  
 Scale 1/5



TOP VIEW  
 RELIANCE BIDIRECTIONAL ELEVATED LIGHT  
 Scale 1/3

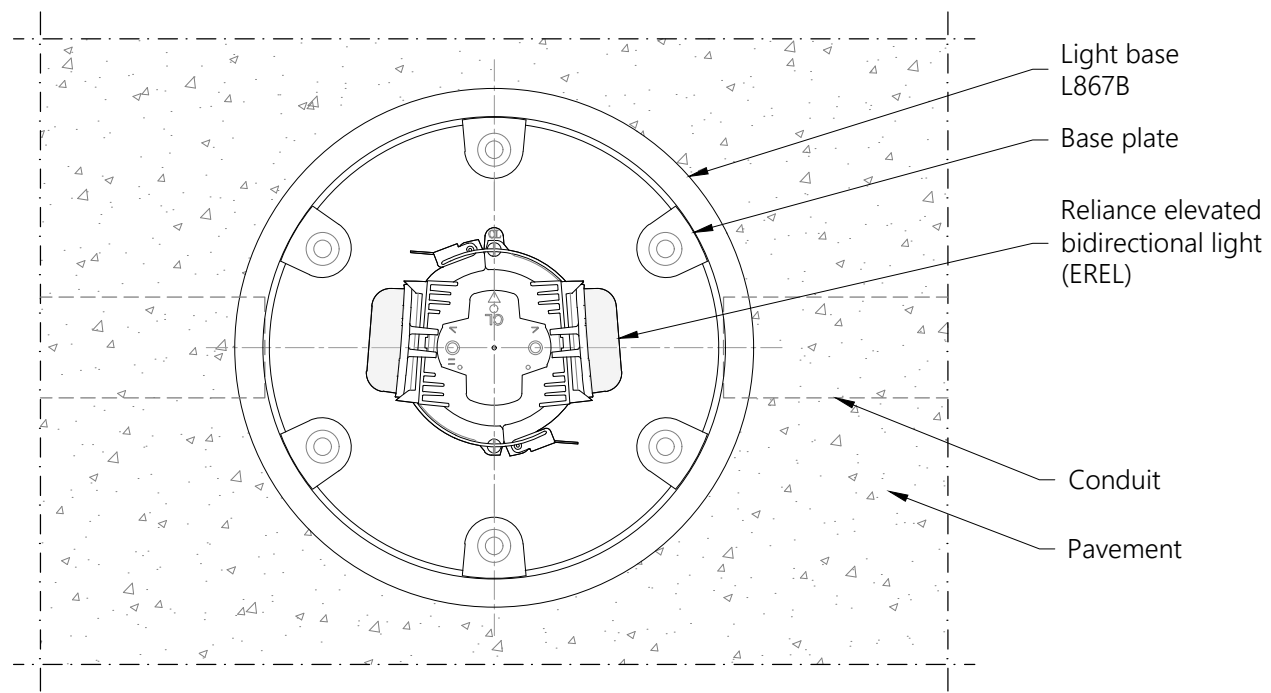
NOTES:

1. This drawing shows general installation details related to ADB Safegate products and is not for construction. The designer must verify compliance of design with local standards and varying characteristics for each unique airfield project.
2. Pavement types and dimensions shown are only indicative. Installation details may vary depending on project specific pavement types and dimensions.
3. Please refer to product installation manual for installation process details.

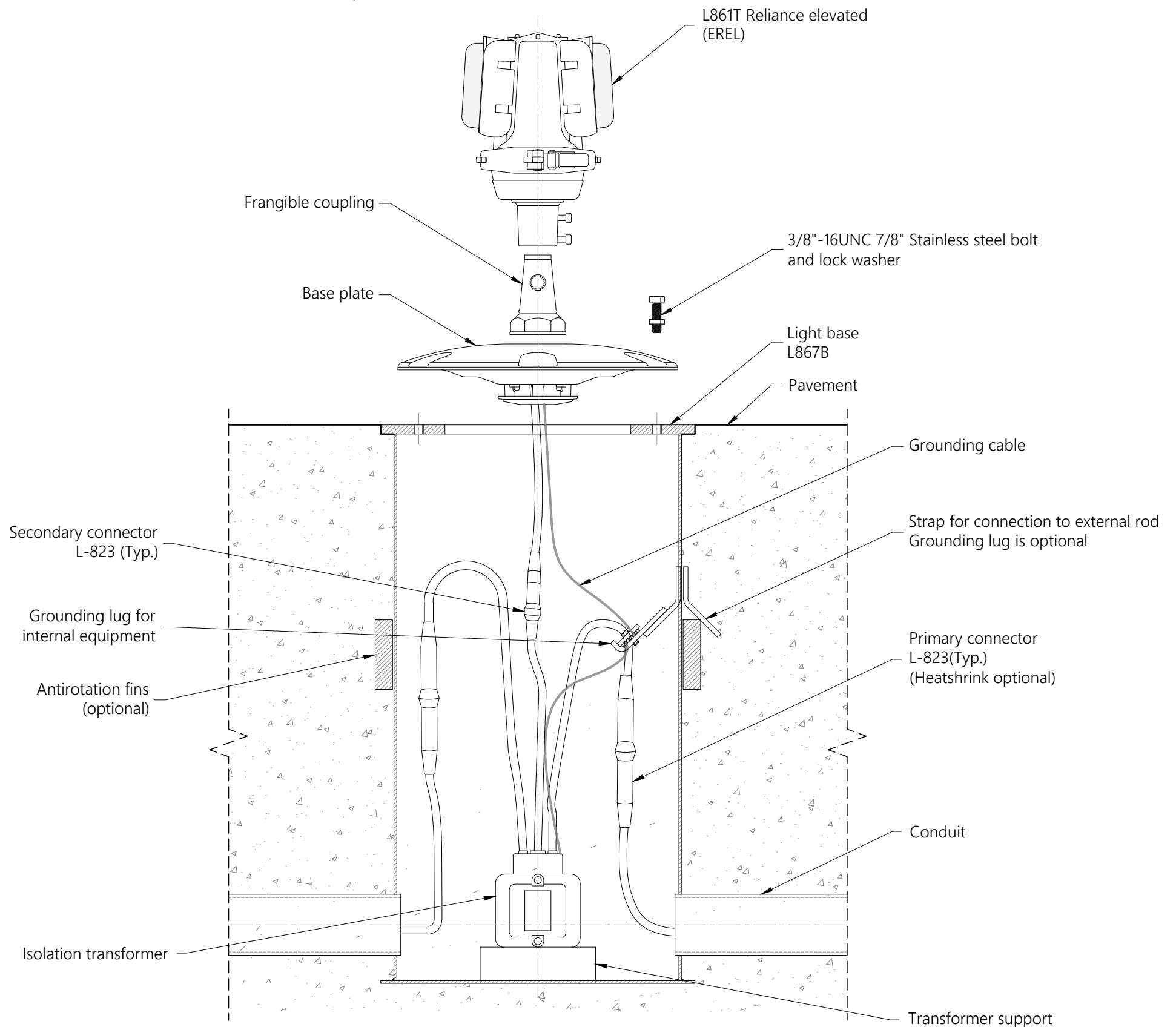


RELIANCE LIGHT  
 (EREL)  
 ELEVATED BIDIRECTIONAL  
 TYPICAL INSTALLATION DETAILS

SCALE: AS SHOWN	UNIT: mm
DRAWN BY: JA	CHECKED BY: TH
DATE: 20/12/2023	SHEET: 1-2
ADBSG_A_AGL_RELIANCE-E_EREL_Bi_01	



TOP VIEW  
RELiance BIDIRECTIONAL ELEVATED LIGHT  
Scale 1/5



1 PIECE L-867B BASE INSTALLATION  
RELiance BIDIRECTIONAL ELEVATED LIGHT  
Scale 1/5

NOTES:

1. This drawing shows general installation details related to ADB Safegate products and is not for construction. The designer must verify compliance of design with local standards and varying characteristics for each unique airfield project.
2. Pavement types and dimensions shown are only indicative. Installation details may vary depending on project specific pavement types and dimensions.
3. Please refer to product installation manual for installation process details.



RELiance LIGHT (EREL)  
ELEVATED BIDIRECTIONAL  
TYPICAL INSTALLATION DETAILS

SCALE: AS SHOWN  
DRAWN BY: JA  
DATE: 21/12/2023

UNIT: mm  
CHECKED BY: TH  
SHEET: 2-2

ADBSG\_A\_AGL\_RELiance-E\_EREL\_Bi\_01