

RELIANCE

Runway Guard Light Unidirectional elevated



Compliance with Standards

ICAO: Annex 14 Volume 1 (Current Edition)

IEC: 61827

EASA: CE-ADR-DSN

Uses

This elevated light fixture is an alternately flashing, unidirectional LED-based light fixture provided with yellow LEDs.

- Runway Guard Light (ICAO §5.3.23)

Features & Benefits

- Available as RELIANCE® IQ with integrated intelligence
- Optionally available with RELIANCE integrated fail-open (Mon) technology
- Fully encapsulated all-in-one electronics
- Built-in voltage surge and lightning protection
- Light-emitting diode (LED) technology that offers a long lasting light source with low power consumption
- No visual flicker .
- IP68 protected, anodized and powder coated aluminum housing designed for harsh weather environments (all fastenings in stainless steel)
- Operational on 3- or 5-step ferroresonant or thyristor CCRs designed in compliance with IEC or FAA requirements
- Easy handling and maintenance by modular design with few mechanical parts
- Compatible with existing infrastructure

Operating Conditions

Humidity: Up to 100%
Operating Temperature: -55 °C to +55 °C / -67 °F to +131 °F
Storage Temperature: -55 °C to +75 °C / -67 °F to +167 °F

Weight

Fixture Weight: 11 kg / 24.4 lb
Packaging Weight: 12 kg / 26.7 lb
Packaging: 775 × 390 × 260 mm /
30.8 × 15.5 × 10.3 in

Power Supply

An integrated, encapsulated 6.6 A electronic converter. Two-pole L-823 plug for connection to the transformer. Power factor typically >0.9 @ 6.6 A.

Fixture Type	Load Data
Runway Guard Light 6.6 A - Yellow	Fixture Load: 32 W ¹

Notes

¹ For non IQ applications, use a minimum of 65 W transformer.

Note: For all IQ applications, please refer to manual within section 3.3.3 - transformer selection guidelines.

Configuration Description

Function

The IQ functionality allows control and monitoring of the RELIANCE IQ. IQ1 fixtures are pre-configured for the specific position at delivery. This function is disabled in IQ0 fixtures but could be enabled later.

Mon = Optional fail - open monitoring technology.

Power Supply

6.6A = 2.8 – 6.6A

Mains Frequency

RELIANCE RGL-E fixtures with IQ functionality are offered both as configurations with 50Hz and 60Hz flash frequency.

RELIANCE

Ordering Code	Configurations
SERGS5US0YNMIA62	SL-MON-RGL-E-6.6A-IEC-50 V2
SERGS5US0YNPIA62	SL-IQ0-RGL-E-6.6A-IEC-50 V2
SERGS5US0YNQIA62	SL-IQ1-RGL-E-6.6A-IEC-50 V2
SERGS6US0YNMIA62	SL-MON-RGL-E-6.6A-IEC-60 V2
SERGS6US0YNPIA62	SL-IQ0-RGL-E-6.6A-IEC-60 V2
SERGS6US0YNQIA62	SL-IQ1-RGL-E-6.6A-IEC-60 V2

Accessories

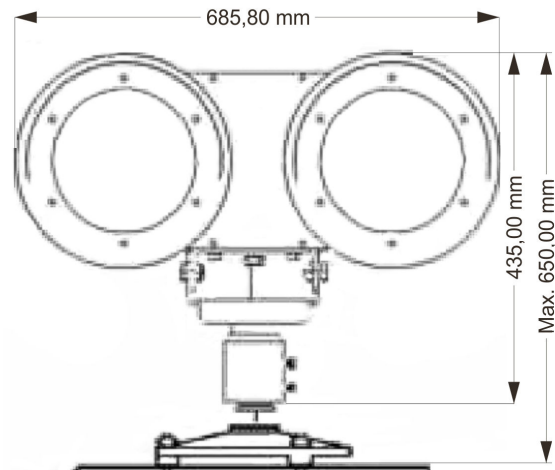
Mounting Option	Code
For Standard IEC RGL	
2" BSP FRANGIBLE COUPLING	IDM11555
Tripod stand with - 2" BSP thread	SGE.SP12534

Note: Frangible coupling and base plate must be ordered separately.

Dimensions

435.00 mm: Light fixture height exclusive frangible coupling and baseplate.

Max. 650.00 mm: Maximum total light fixture height inclusive frangible coupling and baseplate to comply with IEC 61827.



For more information about the product, please see the Product Center on our website: www.adbsafegate.com.

www.adbsafegate.com

Product specifications may be subject to change, and specifications listed here are not binding. Confirm current specifications at time of order.