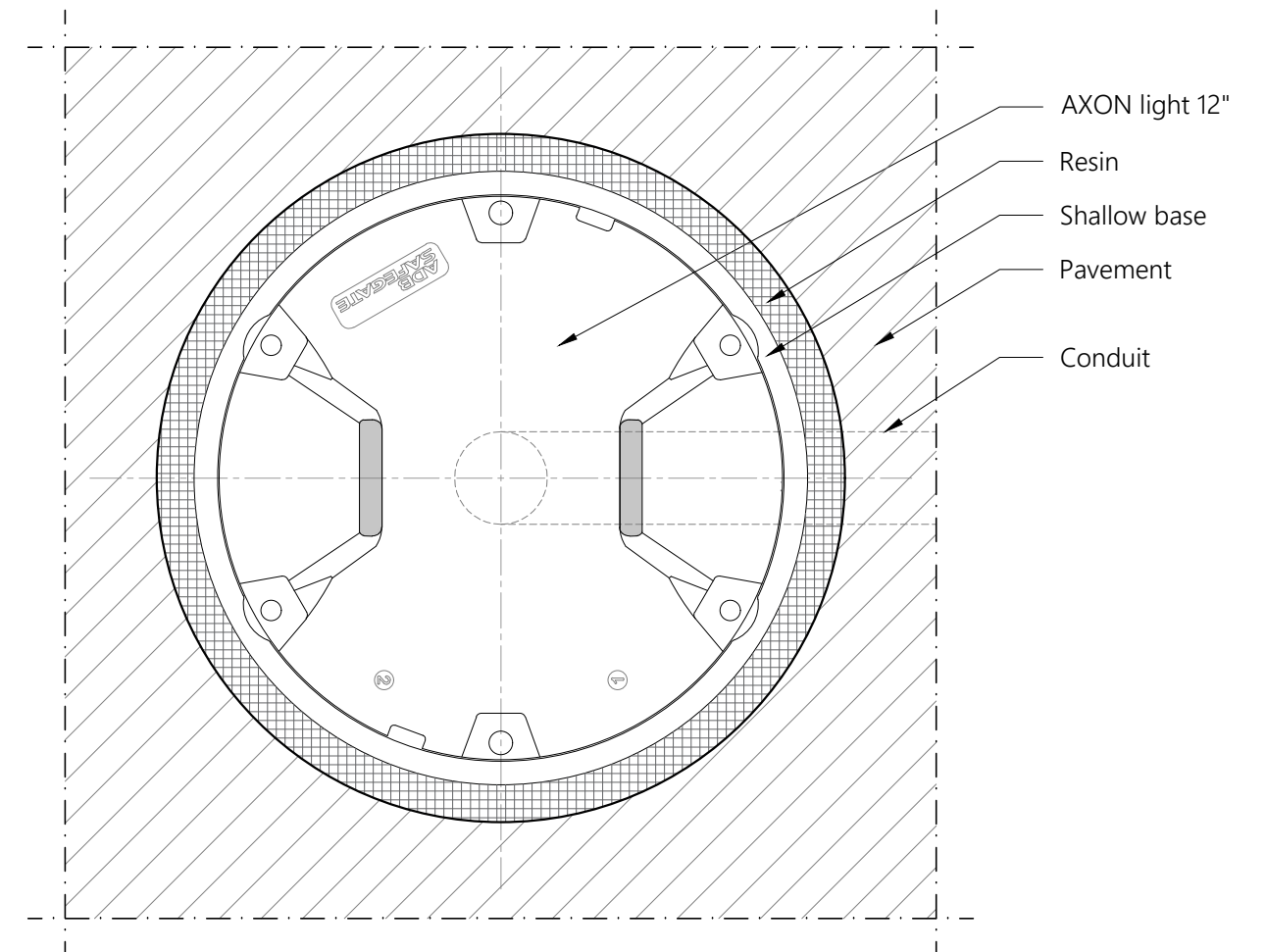


SECTION  
 AXON INSET 12" BIDIRECTIONAL LIGHT  
 Scale 1/5



TOP VIEW  
 AXON INSET 12" BIDIRECTIONAL LIGHT  
 Scale 1/4

NOTES:

1. This drawing shows general installation details related to ADB Safegate products and is not for construction. The designer must verify compliance of design with local standards and varying characteristics for each unique airfield project.
2. Pavement types and dimensions shown are only indicative. Installation details may vary depending on project specific pavement types and dimensions.
3. Please refer to product installation manual for installation process details.

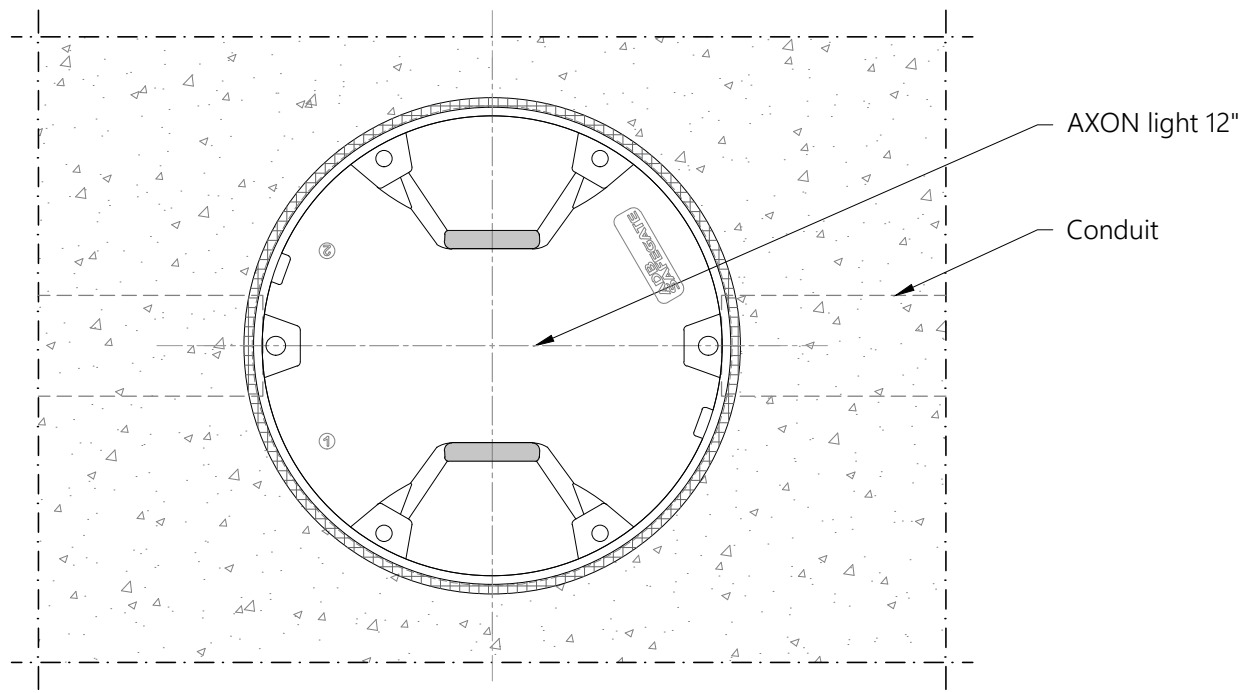


AXON LIGHT  
 12 inch  
 INSET BIDIRECTIONAL  
 TYPICAL INSTALLATION DETAILS

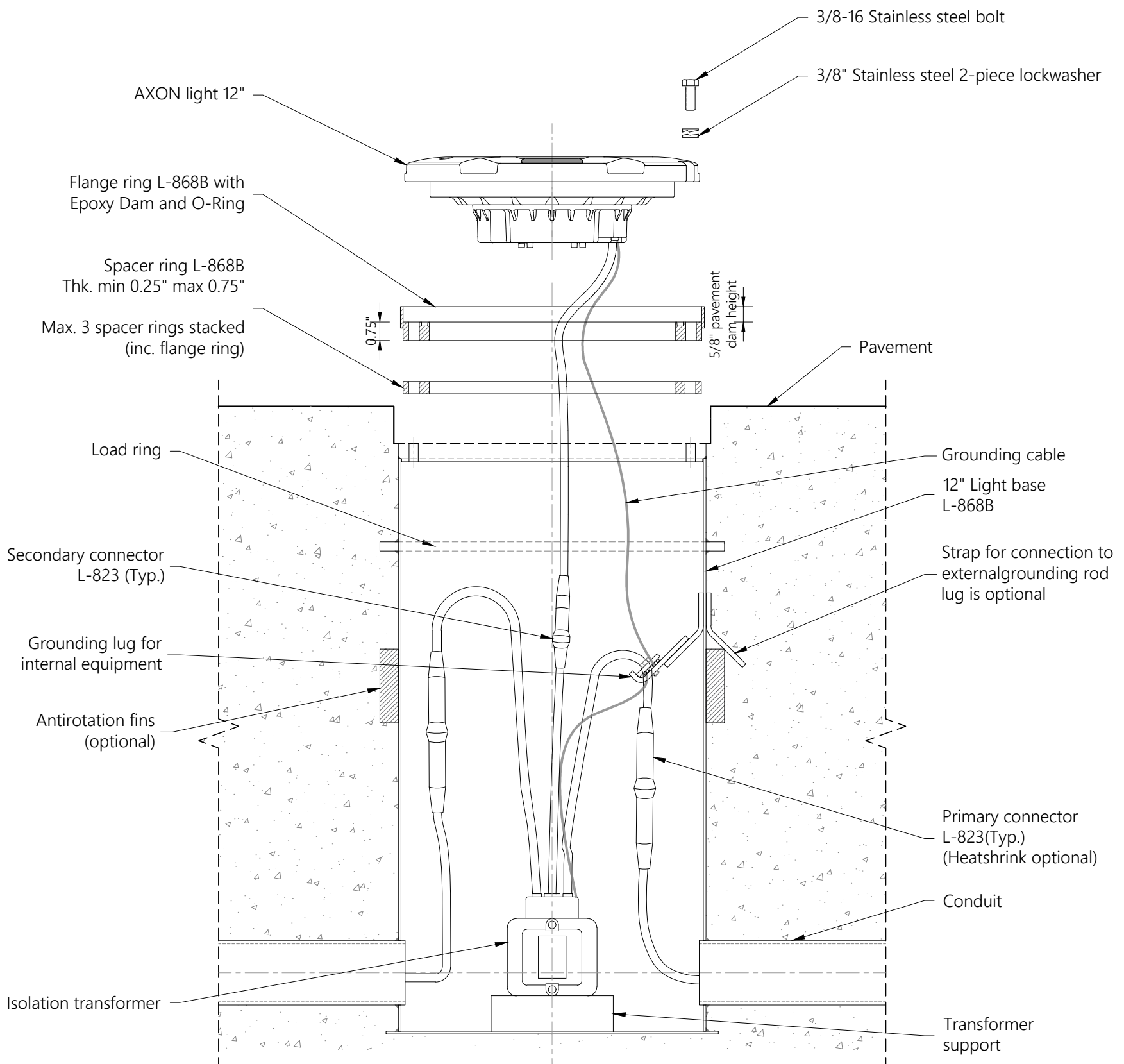
SCALE: AS SHOWN  
 DRAWN BY: JA  
 DATE: 14/09/2023

UNIT: mm  
 CHECKED BY: TH  
 SHEET: 1-2

ADBSG\_A\_AGL\_AXON-I\_12in\_Bi\_00



TOP VIEW  
 AXON INSET 12" BIDIRECTIONAL LIGHT  
 Scale 1/5



1 PIECE L-868B BASE INSTALLATION  
 AXON INSET 12" BIDIRECTIONAL LIGHT  
 Scale 1/5

NOTES:

1. This drawing shows general installation details related to ADB Safegate products and is not for construction. The designer must verify compliance of design with local standards and varying characteristics for each unique airfield project.
2. Pavement types and dimensions shown are only indicative. Installation details may vary depending on project specific pavement types and dimensions.
3. Please refer to product installation manual for installation process details.



AXON LIGHT  
 12 inch  
 INSET BIDIRECTIONAL  
 TYPICAL INSTALLATION DETAILS

SCALE: AS SHOWN	UNIT: mm
DRAWN BY: JA	CHECKED BY: TH
DATE: 14/09/2023	SHEET: 2-2
ADBSG_A_AGL_AXON-I_12in_Bi_00	