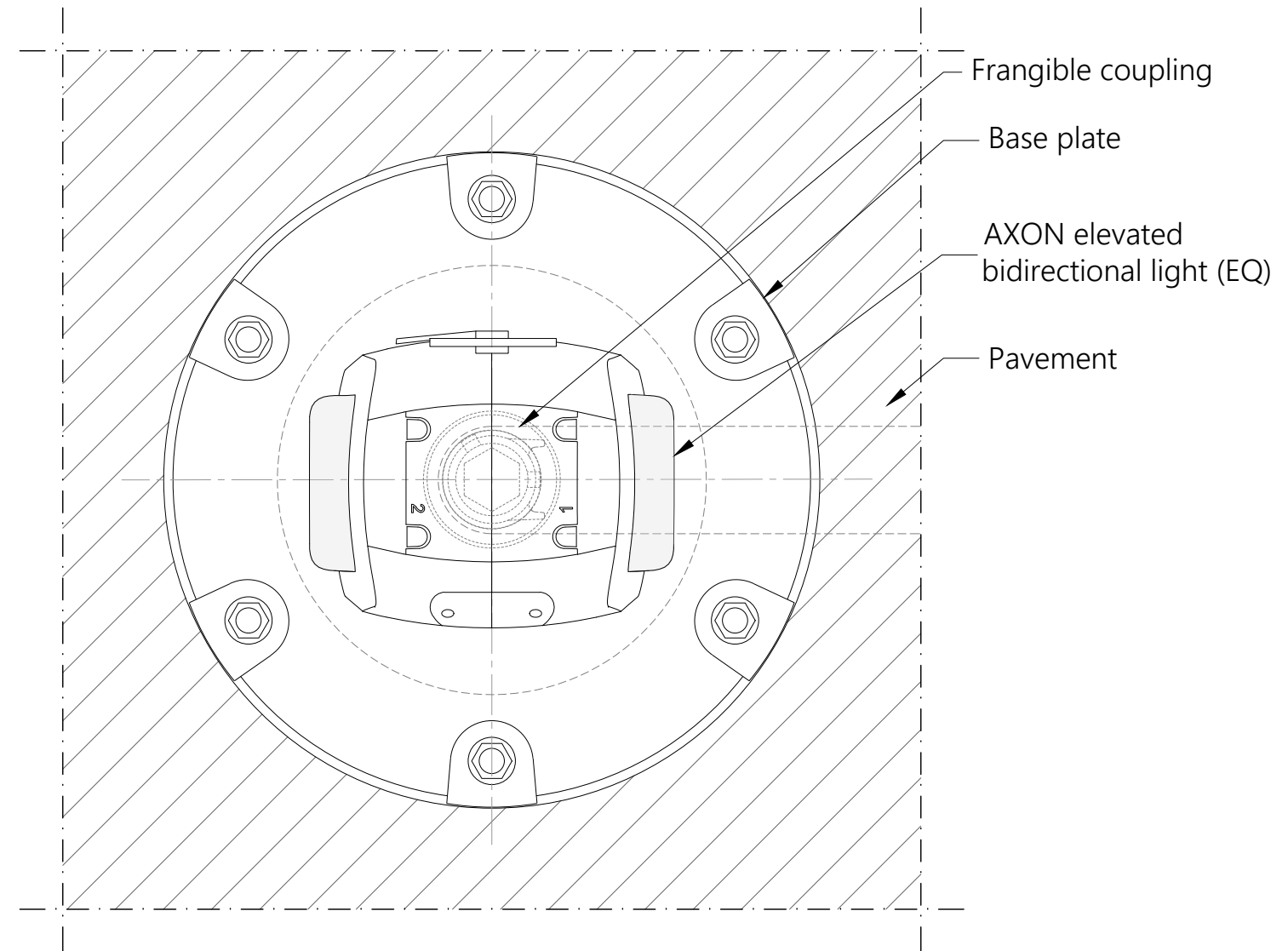


SECTION
 AXON BIDIRECTIONAL ELEVATED LIGHT (EQ)
 Scale 1/5



TOP VIEW
 AXON BIDIRECTIONAL ELEVATED LIGHT (EQ)
 Scale 1/3

NOTES:

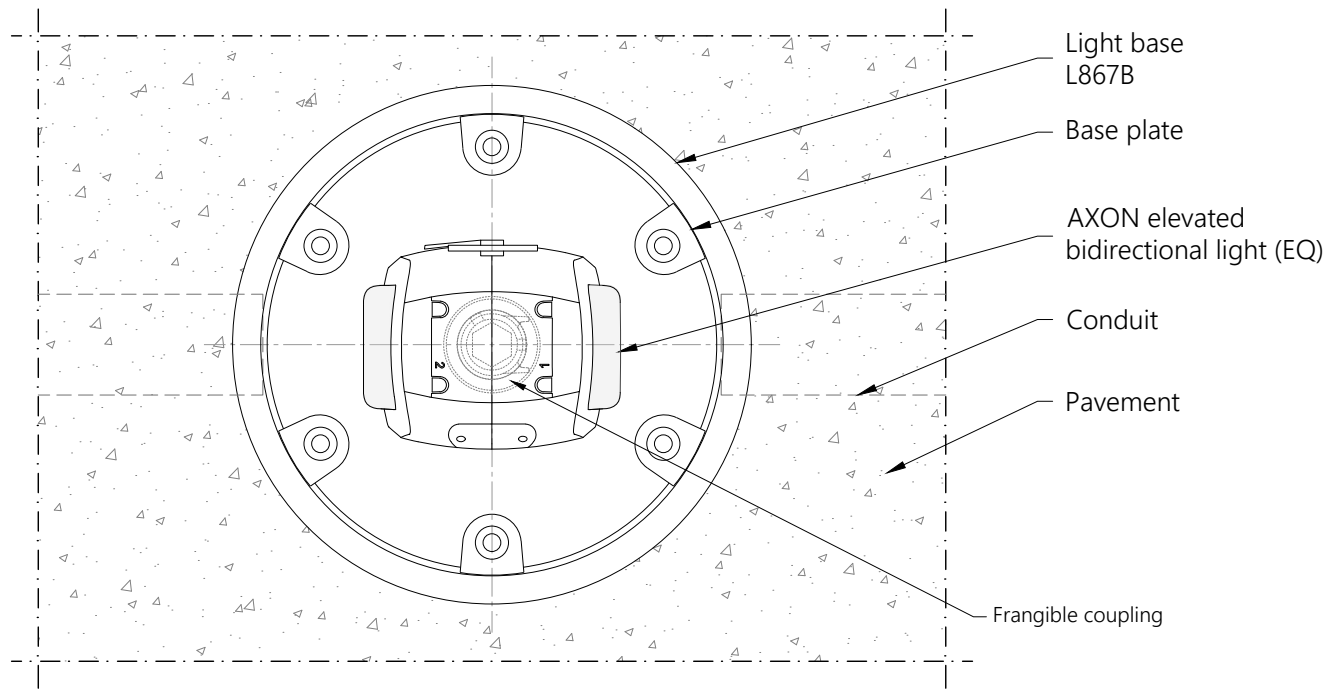
1. This drawing shows general installation details related to ADB Safegate products and is for information only, not for construction. The designer must verify compliance of design with local standards and varying characteristics for each bique airfield project.
2. Pavement types and dimensions shown are only indicative. Installation details may vary depending on project specific pavement types and dimensions.
3. Please refer to product installation manual for installation process details.
4. ADB Safegate waives its liability for wrongful use of the information.



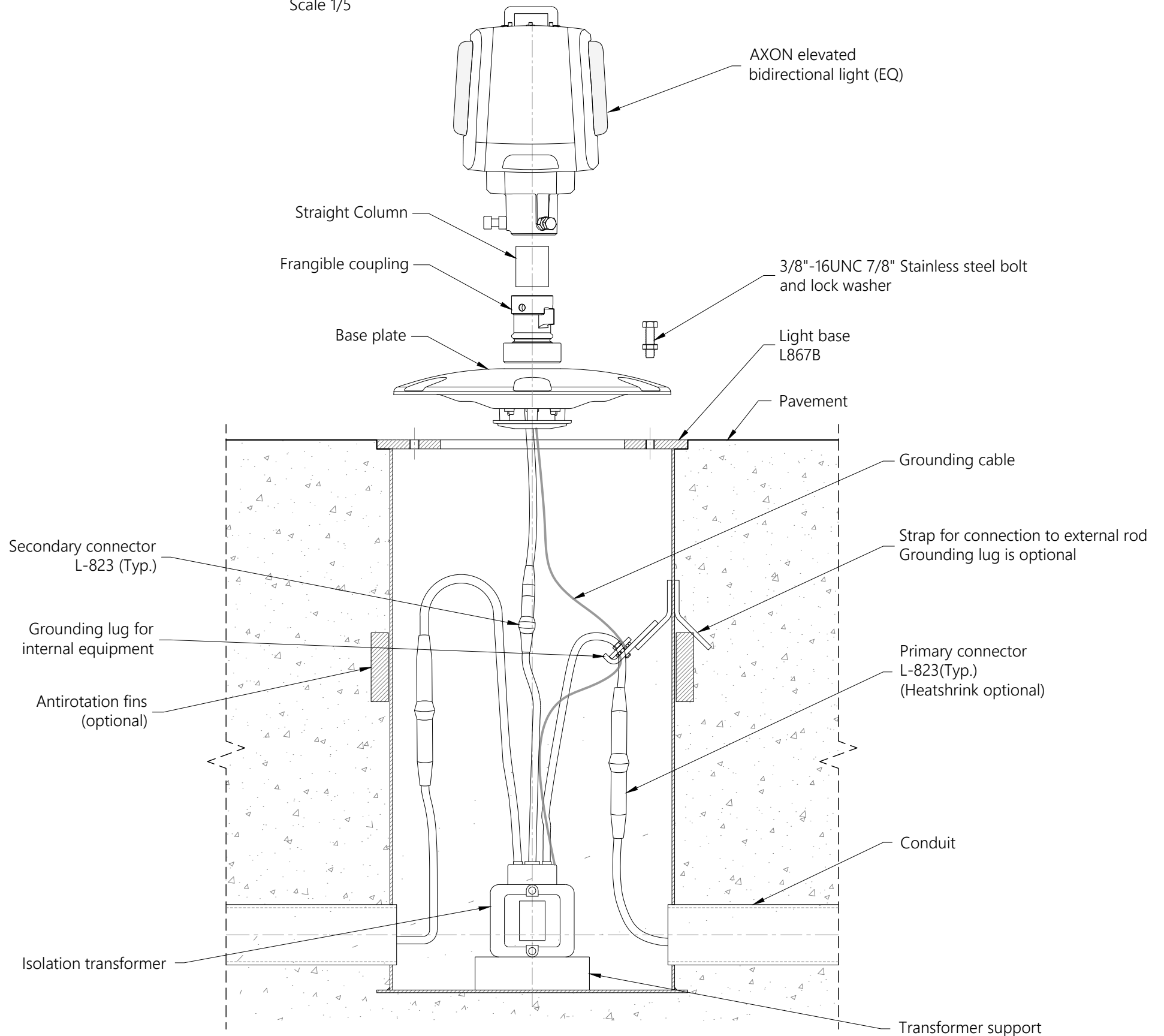
AXON LIGHT
 (EQ)
 ELEVATED BIDIRECTIONAL
 TYPICAL INSTALLATION DETAILS

SCALE: AS SHOWN	UNIT: mm
DRAWN BY: SA	CHECKED BY: TH
DATE: 02/09/2025	SHEET: 1-2

ADBSG_A_AGL_AXON-E_EQ_Bi_00



TOP VIEW
AXON BIDIRECTIONAL ELEVATED LIGHT (EQ)
Scale 1/5



1 PIECE L-867B BASE INSTALLATION
AXON BIDIRECTIONAL ELEVATED LIGHT (EQ)
Scale 1/5

NOTES:

1. This drawing shows general installation details related to ADB Safegate products and is for information only, not for construction. The designer must verify compliance of design with local standards and varying characteristics for each bique airfield project.
2. Pavement types and dimensions shown are only indicative. Installation details may vary depending on project specific pavement types and dimensions.
3. Please refer to product installation manual for installation process details.
4. ADB Safegate waives its liability for wrongful use of the information.



AXON LIGHT (EQ)
ELEVATED BIDIRECTIONAL
TYPICAL INSTALLATION DETAILS

SCALE: AS SHOWN	UNIT: mm
DRAWN BY: SA	CHECKED BY: TH
DATE: 02/09/2025	SHEET: 2-2
ADBSG_A_AGL_AXON-E_EQ_Bi_00	