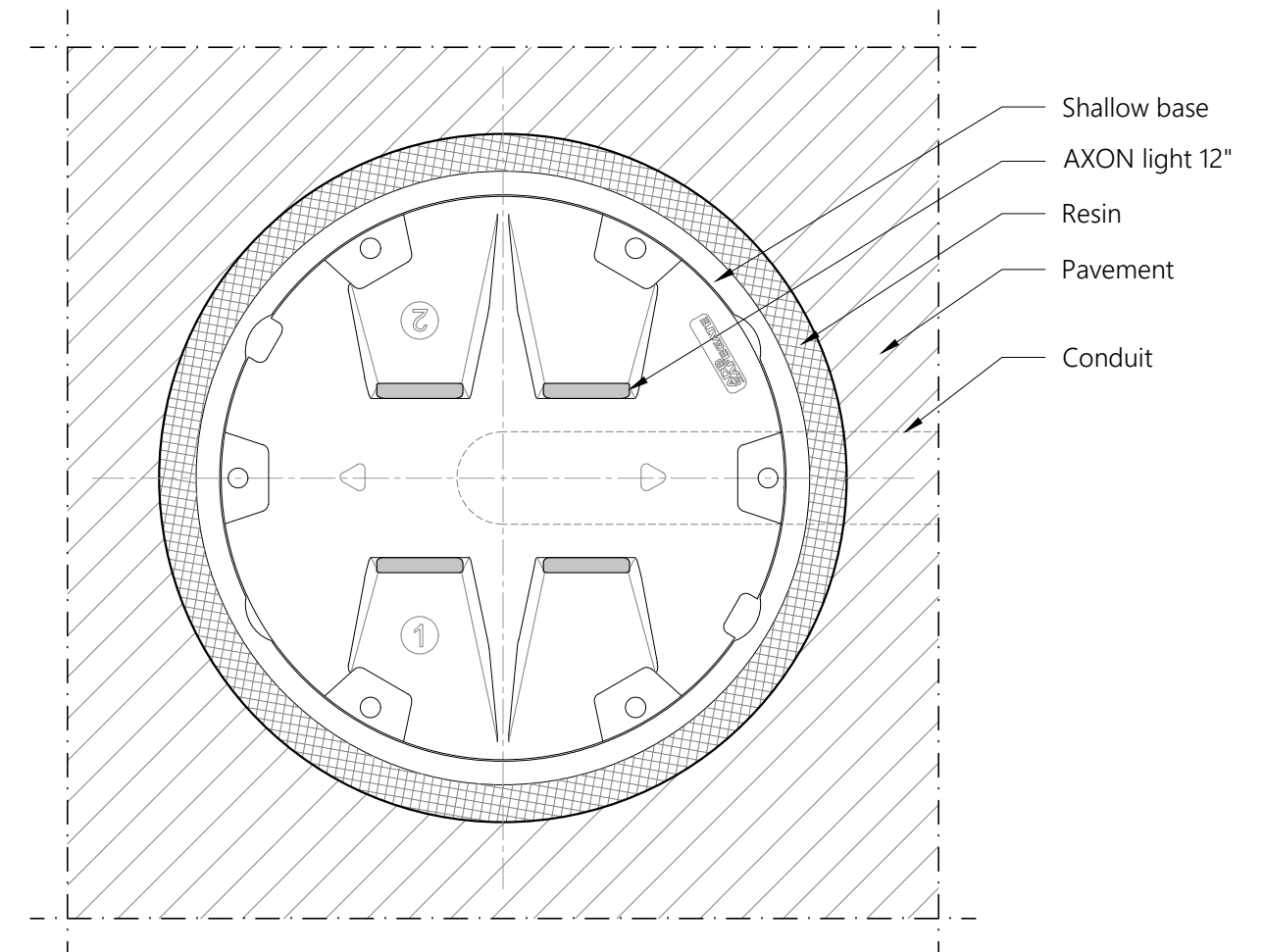


SECTION
 AXON INSET 12" BIDIRECTIONAL LIGHT (2 windows)
 Scale 1/5



TOP VIEW
 AXON INSET 12" BIDIRECTIONAL LIGHT (2 windows)
 Scale 1/4

NOTES:

1. This drawing shows general installation details related to ADB Safegate products and is not for construction. The designer must verify compliance of design with local standards and varying characteristics for each unique airfield project.
2. Pavement types and dimensions shown are only indicative. Installation details may vary depending on project specific pavement types and dimensions.
3. Please refer to product installation manual for installation process details.

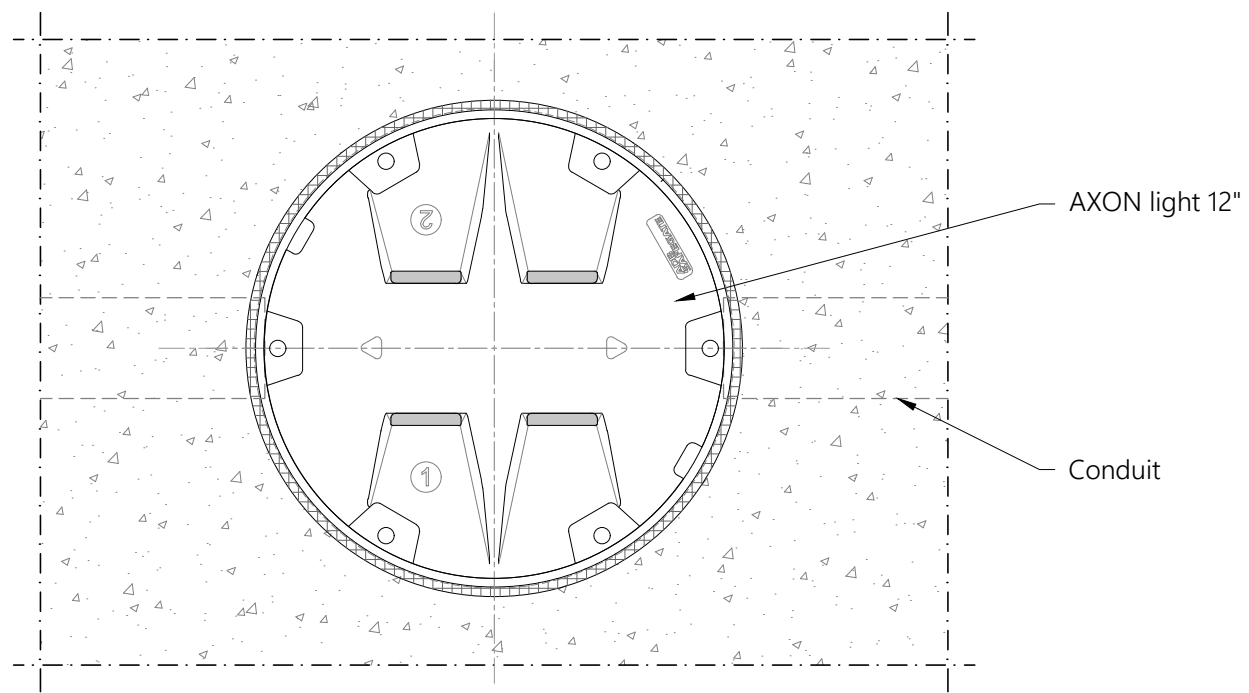


AXON LIGHT
 12 inch / 2 windows
 INSET BIDIRECTIONAL
 TYPICAL INSTALLATION DETAILS

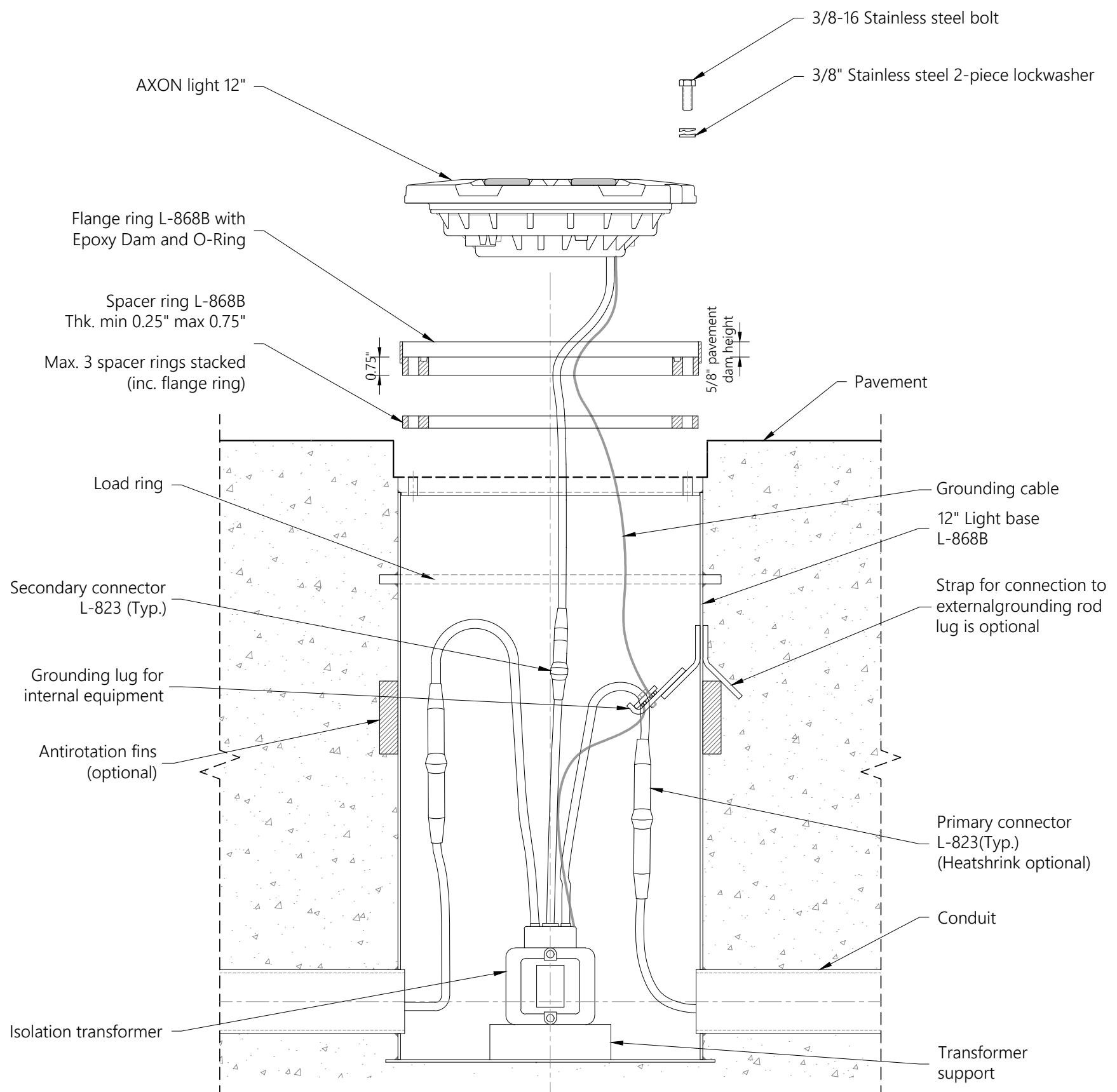
SCALE: AS SHOWN
 DRAWN BY: JA
 DATE: 18/09/2025

UNIT: mm
 CHECKED BY: TH
 SHEET: 1-2

ADBSG_A_AGL_AXON-I_12in_2windows-Bi_00



TOP VIEW
 AXON INSET 12" BIDIRECTIONAL LIGHT (2 windows)
 Scale 1/5



1 PIECE L-868B BASE INSTALLATION
 AXON INSET 12" BIDIRECTIONAL LIGHT (2 windows)
 Scale 1/5

NOTES:

1. This drawing shows general installation details related to ADB Safegate products and is not for construction. The designer must verify compliance of design with local standards and varying characteristics for each unique airfield project.
2. Pavement types and dimensions shown are only indicative. Installation details may vary depending on project specific pavement types and dimensions.
3. Please refer to product installation manual for installation process details.



AXON LIGHT
 12 inch / 2 windows
 INSET BIDIRECTIONAL
 TYPICAL INSTALLATION DETAILS

SCALE: AS SHOWN
 DRAWN BY: JA
 DATE: 18/09/2025

UNIT: mm
 CHECKED BY: TH
 SHEET: 2-2

ADBSG_A_AGL_AXON-I_12in_2windows-Bi_00