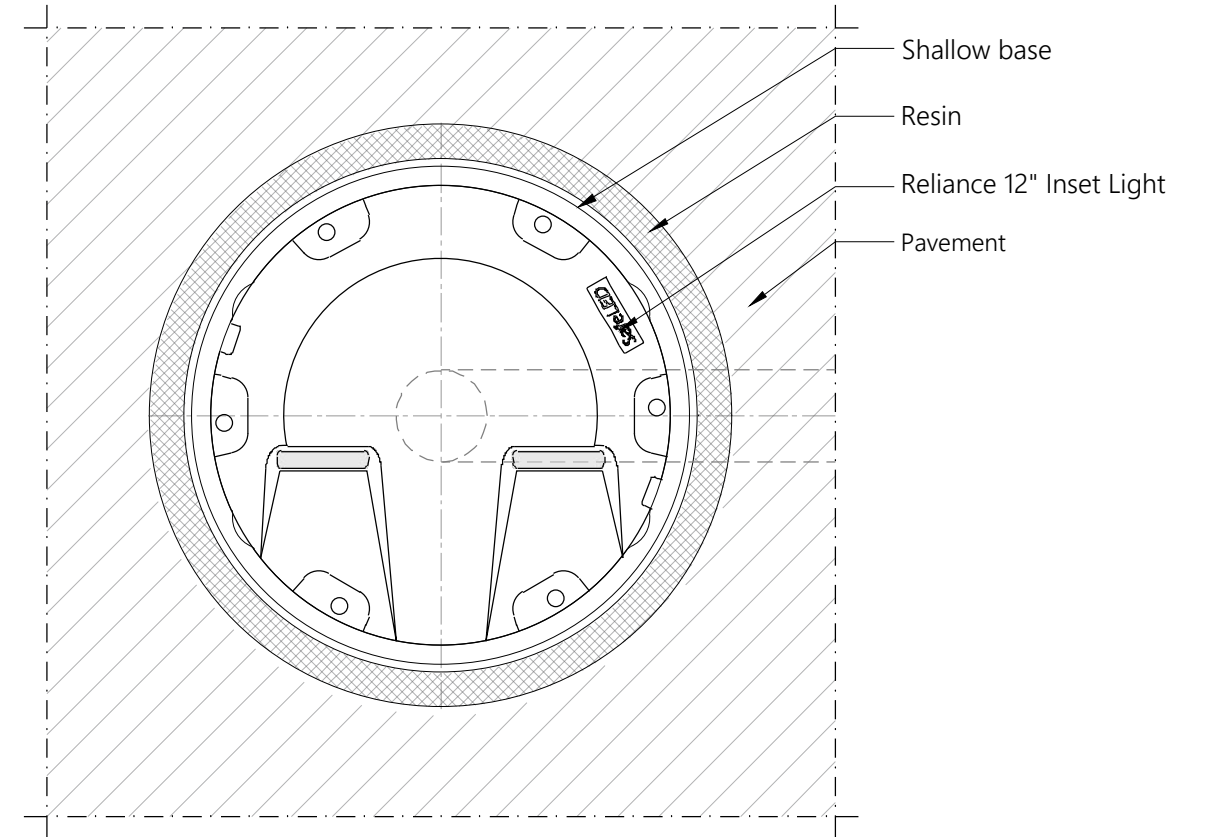


SECTION  
 RELIANCE 12" INSET UNIDIRECTIONAL 2 windows  
 Scale 1/5



TOP VIEW  
 RELIANCE 12" INSET UNIDIRECTIONAL 2 windows  
 Scale 1/5

NOTES:

1. This drawing shows general installation details related to ADB Safegate products and is for information only, not for construction. The designer must verify compliance of design with local standards and varying characteristics for each unique airfield project.
2. Pavement types and dimensions shown are only indicative. Installation details may vary depending on project specific pavement types and dimensions.
3. Please refer to product installation manual for installation process details.
4. ADB Safegate waives its liability for wrongful use of the information.



RELIANCE LIGHT  
 12 inch / 2 windows  
 INSET UNIDIRECTIONAL  
 TYPICAL INSTALLATION DETAILS

SCALE: AS SHOWN  
 DRAWN BY: SK  
 DATE: 19/08/2022

UNIT: mm  
 CHECKED BY: TH  
 SHEET: 1-1

ADBSG\_A\_AGL\_RELIANCE-I\_12in\_2windows\_Uni\_00