



Airfield Lighting
Inset LED Omni

Spare Parts

SP-5028, Rev. 1.5, 2024/02/13

ADB 
SAFEGATE

A.0 Disclaimer / Standard Warranty

CE certification

The equipment listed as CE certified means that the product complies with the essential requirements concerning safety and hygiene. The European directives that have been taken into consideration in the design are available on written request to ADB SAFEGATE.

ETL certification

The equipment listed as ETL certified means that the product complies with the essential requirements concerning safety and C22.2 No.180:13 (R2018) regulations. The CSA directives that have been taken into consideration in the design are available on written request to ADB SAFEGATE.

All Products Guarantee

ADB SAFEGATE will correct by repair or replacement per the applicable guarantee below, at its option, equipment or parts which fail because of mechanical, electrical or physical defects, provided that the goods have been properly handled and stored prior to installation, properly installed and properly operated after installation, and provided further that Buyer gives ADB SAFEGATE written notice of such defects after delivery of the goods to Buyer. Refer to the Safety section for more information on Material Handling Precautions and Storage precautions that must be followed.

ADB SAFEGATE reserves the right to examine goods upon which a claim is made. Said goods must be presented in the same condition as when the defect therein was discovered. ADB SAFEGATE further reserves the right to require the return of such goods to establish any claim.

ADB SAFEGATE's obligation under this guarantee is limited to making repair or replacement within a reasonable time after receipt of such written notice and does not include any other costs such as the cost of removal of defective part, installation of repaired product, labor or consequential damages of any kind, the exclusive remedy being to require such new parts to be furnished.

ADB SAFEGATE's liability under no circumstances will exceed the contract price of goods claimed to be defective. Any returns under this guarantee are to be on a transportation charges prepaid basis. For products not manufactured by, but sold by ADB SAFEGATE, warranty is limited to that extended by the original manufacturer. This is ADB SAFEGATE's sole guarantee and warranty with respect to the goods; there are no express warranties or warranties of fitness for any particular purpose or any implied warranties of fitness for any particular purpose or any implied warranties other than those made expressly herein. All such warranties being expressly disclaimed.

Standard Products Guarantee

Products manufactured by ADB SAFEGATE are guaranteed against mechanical, electrical, and physical defects (excluding lamps) which may occur during proper and normal use for a period of two years from the date of ex-works delivery, and are guaranteed to be merchantable and fit for the ordinary purposes for which such products are made.



Note

See your applicable sales agreement for a complete warranty description.

Replaced or repaired equipment under warranty falls into the warranty of the original delivery. No new warranty period is started for these replaced or repaired products.

FAA Certified products manufactured by ADB SAFEGATE

ADB SAFEGATE L858 Airfield Guidance Signs are warranted against mechanical and physical defects in design or manufacture for a period of 2 years from date of installation, per FAA AC 150/5345-44 (applicable edition).

ADB SAFEGATE LED products (with the exception of obstruction lighting) are warranted against electrical defects in design or manufacture of the LED or LED specific circuitry for a period of 4 years from date of installation, per FAA EB67 (applicable edition). These FAA certified constant current (series) powered LED products must be installed, interfaced and powered with and through products certified under the FAA Airfield Lighting Equipment Program (ALECP) to be included in this 4 (four) year warranty. This includes, but is not limited to, interface with products such as Base Cans, Isolation Transformers, Connectors, Wiring, and Constant Current Regulators.



Note

See your sales order contract for a complete warranty description.

Replaced or repaired equipment under warranty falls into the warranty of the original delivery. No new warranty period is started for these replaced or repaired products.

Liability



WARNING

Use of the equipment in ways other than described in the catalog leaflet and the manual may result in personal injury, death, or property and equipment damage. Use this equipment only as described in the manual.

ADB SAFEGATE cannot be held responsible for injuries or damages resulting from non-standard, unintended uses of its equipment. The equipment is designed and intended only for the purpose described in the manual. Uses not described in the manual are considered unintended uses and may result in serious personal injury, death or property damage.

Unintended uses, includes the following actions:

- Making changes to equipment that have not been recommended or described in this manual or using parts that are not genuine ADB SAFEGATE replacement parts or accessories.
- Failing to make sure that auxiliary equipment complies with approval agency requirements, local codes, and all applicable safety standards if not in contradiction with the general rules.
- Using materials or auxiliary equipment that are inappropriate or incompatible with your ADB SAFEGATE equipment.
- Allowing unskilled personnel to perform any task on or with the equipment.

Copyright Statement

This manual or parts thereof may not be reproduced, stored in a retrieval system, or transmitted, in any form or by any means, electronic, mechanical, photocopying, recording, nor otherwise, without the author's prior written consent.

This manual could contain technical inaccuracies or typographical errors. The author reserves the right to revise this manual from time to time in the contents thereof without obligation of the author to notify any person of such revision or change. Details and values given in this manual are average values and have been compiled with care. They are not binding, however, and the author disclaims any liability for damages or detriments suffered as a result of reliance on the information given herein or the use of products, processes or equipment to which this manual refers. No warranty is made that the use of the information or of the products, processes or equipment to which this manual refers will not infringe any third party's patents or rights. The information given does not release the buyer from making their own experiments and tests.

TABLE OF CONTENTS

1.0 Inset LED Omni	1
2.0 Spare Parts	3
2.1 Exploded View	3
2.2 Components	4
2.3 Screws Overview	5
A.0 SUPPORT	7
A.1 ADB SAFEGATE Website	7
A.2 Recycling	8
A.2.1 Local Authority Recycling	8
A.2.2 ADB SAFEGATE Recycling	8

1.0 Inset LED Omni

RELIANCE Apron Maneuvering Omni

The RELIANCE™ 8-inch omnidirectional low-protrusion inset LED light fixture is provided with red or yellow LEDs. This fixture can be used in the following applications:

- Aircraft Stand Maneuvering Guidance



RELIANCE Taxiway Edge Omni

The RELIANCE™ 8-inch omnidirectional low-protrusion protected inset LED light fixture is provided with blue or yellow LEDs. This fixture can be used in the following applications:

- Taxiway Edge, L-852T(L)
- NAVAIR Edge
- UFC Edge
- Intermediate Holding Position (MOS)



2.0 Spare Parts

2.1 Exploded View

Figure 1: Omnidirectional Light, 4 prisms, 8-inch

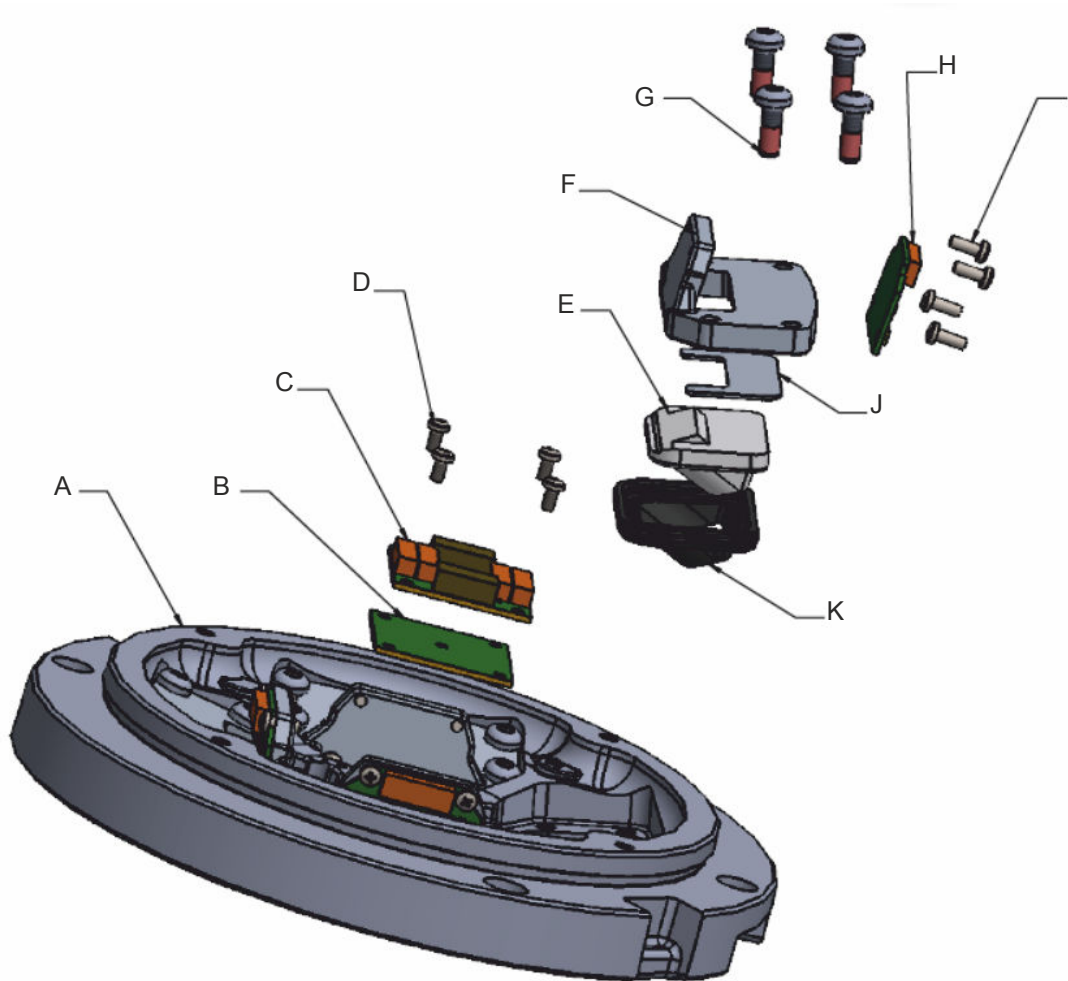


Table 1: Legend Exploded View

Call-out number	Description	Quantity
A	Top cover	1 pc
B	Isolation board	1 pc
C	Connection board	1 pc
D	Screw M3x8 DIN7985-T-A2	4 pcs
E	Prism	4 pcs
F	Holder prism	4 pcs
G	Screw M4 x6	16 pcs
H	LED board	4 pcs

Table 1: Legend Exploded View (Continued)

Call-out number	Description	Quantity
I	Screw M3x8 DIN7985-T-A2	4 pcs
J	Protection prism plate	16 pcs
K	Gasket	4 pc

2.2 Components

	Components	Versions	Article number	Packing ¹
A	OMNI 4P	Full inner pan assembly for Non-MON lights	SP013105	Per 1
		Full Inner Pan assembly for IQ lights	SP017117B	Per 1
		Full Inner Pan assembly for FO lights	SP018059B	Per 1
		Full top cover (including prisms, gaskets, screws, connection board but without LED engine kit, without converter cables)	SP013043	Per 1
B	OMNI 4P prism kit	Prism kit (including prism gasket & blue spacer & set of screws for support)	SP013031	Per 4
C	OMNI 4P LED kit	LED strip bracket assembly - blue - TWY edge (including 4 assemblies with screws and LED cables)	SP013044	Per 4
		LED strip bracket assembly - blue with NIR - TWY edge (including 4 assemblies with screws and with LED cables)	SP013045	Per 4
		LED strip bracket assembly - red - APRON (including 4 assemblies with screws and with LED cables)	SP013046	Per 4
		LED strip bracket assembly - yellow - APRON (including 4 assemblies with screws and with LED cables)	SP013047	Per 4
		LED strip bracket assembly - yellow - INTERMEDIATE HOLDING POINT (including 4 assemblies with screws and with LED cables)	SP013048	Per 4
		LED strip bracket assembly - yellow with NIR - INTERMEDIATE HOLDING POINT (including 4 assemblies with screws and with LED cables)	SP013049	Per 4
D	OMNI 4P LED cables 4P	Set of LED cables	SP6100.50.200	Per 20
E	OMNI 4P Connection Board Kit	Connection board kit	SP013032	Per 1
F	OMNI 4P Connection Converter cables	Set of Connection Converter cables	SPSGE48000269D1	Per 10
G	OMNI 4P Bottom cover gasket	Set of bottom cover gaskets	SPMS00005-000-01	Per 10
H	OMNI 4P prism gaskets	Set of prism gaskets (no prisms)	SP4072.78.030	Per 20
I	OMNI 4P blue spacers	Set of blue prism spacers (no prisms)	SP4072.78.040	Per 20

Notes

¹ Example: If you order 1× article number SP6100.50.200, you will receive 20 cables.

2.3 Screws Overview

Screw type	Name	Quantity on a fixture	Torque (Nm)
M3x8 DIN7985-T-A2	LED optical (sub) assembly screws	16	1-1.2 Nm + Loctite 2045
M3x6	Pan head cross recess screw	4	
M5x14		16	8 Nm
M6x1	Inner pan lock nut (mounted by manufacturer)		1.5 Nm + Loctite 577
M4x12	PCB screw for inner pan (mounted by manufacturer)		1.5 Nm - no Loctite
M4x6	Ground fixation screw for inner pan (mounted by manufacturer)		1.5 Nm - no Loctite
M4x10	Cable disc screw		2.5 Nm - no Loctite

Appendix A: SUPPORT

Our experienced engineers are available for support and service at all times, 24 hour/7 days a week. They are part of a dynamic organization making sure the entire ADB SAFEGATE is committed to minimal disturbance for airport operations.

ADB SAFEGATE Support

Live Technical Support – Americas

If at any time you have a question or concern about your product, just contact ADB SAFEGATE's technical service department. Trained in all areas of system issues, troubleshooting, quality control and technical assistance, our highly experienced Technical support specialists are available 24 hours a day, seven days a week to provide assistance over the phone.

ADB SAFEGATE Americas Technical Service & Support (US & Canada): +1-800-545-4157

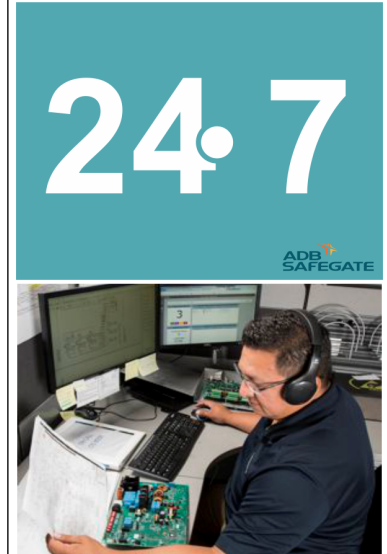
ADB SAFEGATE Americas Technical Service & Support (International): +1-614-861-1304

During regular business hours, you can also Chat with a Service Technician. We look forward to working with you!

Before You Call

When you have an airfield lighting or system control system problem, it is our goal to support airfield maintenance staff as quickly as possible. To support this effort, prior to calling, please ensure the following:

- Review the product's manual and troubleshooting guide.
- Be located with the product ready to troubleshoot.
- Have all necessary information available: airport code/company name, customer id number, contact phone number/email address, product/part number.
- Have a *True RMS* meter available and any other necessary tools.



Note

For more information, see www.adbsafegate.com, or contact ADB SAFEGATE Support via email at support@adbsafegate.com or

Europe: +32 2 722 17 11

Americas: +1 614 861 1304. Press 3 for technical service or press 4 for sales support.

China: +86 (10) 8476 0106

Middle East and Africa: +971 4 452 7575

A.1 ADB SAFEGATE Website

The ADB SAFEGATE website, www.adbsafegate.com, offers information regarding our airport solutions, products, company, news, links, downloads, references, contacts and more.

A.2 Recycling

A.2.1 Local Authority Recycling

The disposal of ADB SAFEGATE products is to be made at an applicable collection point for the recycling of electrical and electronic equipment. The correct disposal of equipment prevents any potential negative consequences for the environment and human health, which could otherwise be caused by inappropriate waste handling. The recycling of materials helps to conserve natural resources. For more detailed information about recycling of products, contact your local authority city office.

A.2.2 ADB SAFEGATE Recycling

ADB SAFEGATE is fully committed to environmentally-conscious manufacturing with strict monitoring of our own processes as well as supplier components and sub-contractor operations. ADB SAFEGATE offers a recycling program for our products to all customers worldwide, whether or not the products were sold within the EU.

ADB SAFEGATE products and/or specific electrical and electronic component parts which are fully removed/separated from any customer equipment and returned will be accepted for our recycling program.

All items returned must be clearly labeled as follows:

- For *ROHS/WEEE* Recycling
- Sender contact information (Name, Business Address, Phone number).
- Main Unit Serial Number.

ADB SAFEGATE will continue to monitor and update according for any future requirements for *EU directives* as and when *EU member states* implement new *regulations* and or *amendments*. It is our aim to maintain our *compliance plan* and assist our customers.

Company Addresses

ADB SAFEGATE, Belgium	ADB SAFEGATE BV Leuvensesteenweg 585, B-1930 Zaventem Belgium
Contact: Tel.: +32 2 722 17 11 Fax: +32 2 722 17 64	Email: marketing@adbsafegate.com Internet: www.adbsafegate.com
ADB SAFEGATE, Americas	ADB SAFEGATE Americas LLC 700 science Blvd, Columbus OH 43230, USA
Contact: Tel.: +1 (614) 861 1304 Fax: +1 (614) 864 2069	Email: sales.us@adbsafegate.com Internet: www.adbsafegate.com
ADB SAFEGATE, Sweden	ADB SAFEGATE Sweden AB Djurhagegatan 19 SE-213 76 Malmö Sweden
Contact: Tel.: +46 (0)40 699 17 00 Fax: +46 (0)40 699 17 30	Email: marketing@adbsafegate.com Internet: www.adbsafegate.com
ADB SAFEGATE, China	ADB SAFEGATE Airfield Technologies Ltd. China Unit 603, D Block, CAMIC International Convention Center, No 3, Hua Jia Di East road, ChaoYang district, Beijing 100102 P.R. China
Contact: Tel.: +86 (10) 8476 0106 Fax: +86 (10) 8476 0090	Email: china@safegate.com Internet: www.adbsafegate.com
ADB SAFEGATE, Germany	ADB SAFEGATE Germany GmbH Konrad-Zuse-Ring 6, D-68163 Mannheim Germany
Contact: Tel.: +49 (621) 87 55 76-0 Fax: +49 (621) 87 55 76-55	Email: marketing@adbsafegate.com Internet: www.adbsafegate.com



Powering Your Airport Performance from Approach to Departure

adbsafegate.com

Copyright © ADB SAFEGATE, all rights reserved

