

# L-806 Unlighted Wind Cone

## L-806(L) LED Wind Cones



ETL Certified to FAA AC 150/5345-27F  
 Wind Cone/ Wind Direction Indicator for  
 • VERTIPOINT • HELIPOINT • AIRPORT

**Applications:**  
 Provides visual indication of wind direction and velocity for pilots at Vertipoints, Heliports, smaller airfields, and as supplemental wind indicators near runway touchdown areas on large airfields.

### Features

- Perfect for Vertipoints, Heliports or Airports
- Pre-assembled bearings, one piece welded Aluminum basket, and center hinged pole for easy installation
- Mounting options include: Roof, Wall, Floor Flange, 2" NPT Conduit or L-867 Base Plate
- Certified to FAA AC 150/5345-27F by ETL
- 50,000 to 100,000 hour LED lamp life, virtually maintenance free. 4 year warranty on LED light kit
- 80-90% less power consumption than halogen lamps
- NVG visibility
- **Solar power option available**-eliminate long underground wire and conduit installations! Wind cone certified to FAA AC 150/5345-27F by ETL
- Marine Treated Option (recommended for installations within 100miles of saltwater) available for increased useful life in corrosive environments
- Size 1 (18" diameter x 8' long) wind sock (berry compliant ) treated for rot, mildew, and water repellent
- Powder coat painted international orange
- Manufactured by Hali-Brite® Inc.



Internal Light Kit



External Light Kit



Optional Solar Power Supply SPS-100

### Wind Cone Selection Chart

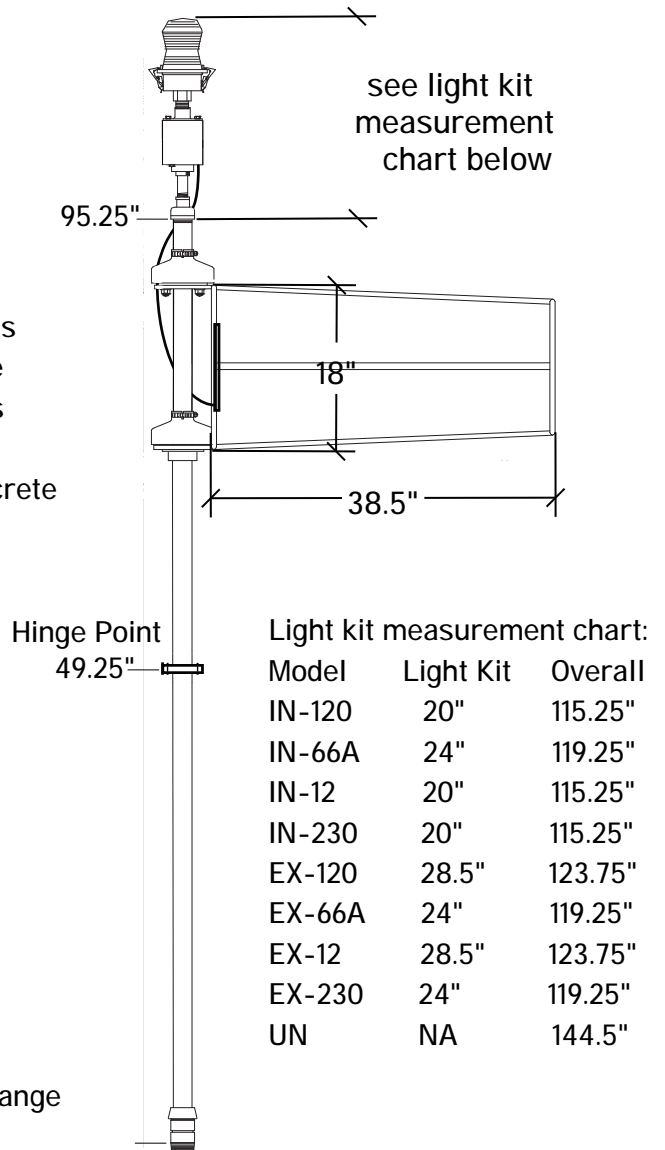
Catalog Number	See Notes	FAA Size	FAA Style	Power Source	Fixture VA	Fixture Watts	Weight (lbs)	Replacement Lamp
L806-S1-IN-120		1	I-B Internal	108-132 VAC	32	19	59	9200-0038
L806-S1-IN-12	3	1	I-B Internal	11.5-13 VDC	6	6	57	9200-0041
L806-S1-IN-66A	2	1	I-B Internal	2.8-6.6 AMP	72	65	57	9200-0039
L806-S1-IN-230	1	1	I-B Internal	198-265 VAC	40	21	59	9200-0045
L806-S1-EX-120		1	I-A External	108-132 VAC	15	14	58	9200-0032
L806-S1-EX-12	3	1	I-A External	11.5-13 VDC	6	6	57	9200-0033
L806-S1-EX-66A	2	1	I-A External	2.8-6.6 AMP	58	52	57	9200-0034
L806-S1-EX-230	1	1	I-A External	207-253 VAC	15	14	58	9200-0044
L806-S1-UN-NON		1	II Unlighted	none	0	0	45	none

#### Notes:

1. Model is not ETL Certified to FAA AC 150/5345-27F
2. Requires 100 watt L-830 transformer, sold separately
3. Designed for use with Hali-Brite Solar Power Supply or 12VDC Driver, sold separately

#### Options:

- L806 Marine Treated** "Marine Treated" for corrosive environments within 100mi of saltwater. Includes: marine treat powder coat, stainless steel bearings and hardware
- L806 Anchor Cage** Welded anchor cage for embedding in concrete
- L806 SS Anchor Cage** Welded stainless steel anchor cage for embedding in concrete
- L806-FM** L806 flange/floor mount
- L806-WM** L806 wall mount kit
- L806-RM** L806 roof mount kit
- SPS-100-2** Solar Power Supply for 12v models
- L806-Hinge Plate** Base hinge plate for L806
- 7400-0000-1** Spare Wind Sock, 18" diameter, 8' length
- 1800-0025** Spare Frangible Coupling
- 1800-0026** RIGID Coupling (NOT FOR USE IN RUNWAY SERVICE AREAS)
- L806-Aluminum** L806 with aluminum pole vs steel
- L806-No Hinge** L806 pole WITHOUT center hinge (Ships on 8' pallet vs 4')
- L806-RW** Red and White powder coat and Sock VS orange
- Replacement lamp** See chart above





Pole Options Shown:  
Standard (Hinged), No Hinge  
Option and Red/White

### Warranty Information

4 year warranty on LED lamps  
2 year warranty on Wind Cone  
See manual (page5) for details

### Shipping Information

Unpackaged Weight: 45-59Lbs  
Palletized Volume:  
48"x48"x27" 160Lbs (Fully Crated Option 226Lbs)  
Non-Hinged Option Palletized Volume:  
96"x48"x32" 180Lbs (Fully Crated Option 300Lbs)  
L806 With SPS-100 Palletized Volume:  
96x48x40" 525Lbs (Fully Crated Option 685Lbs)



### L806-RM

Roof/Wall Mount: Used for mounting Windcone directly to a wall or roof. Fasteners supplied by others. Must be secured directly to framing member capable of supporting the windcone



### L806-WM



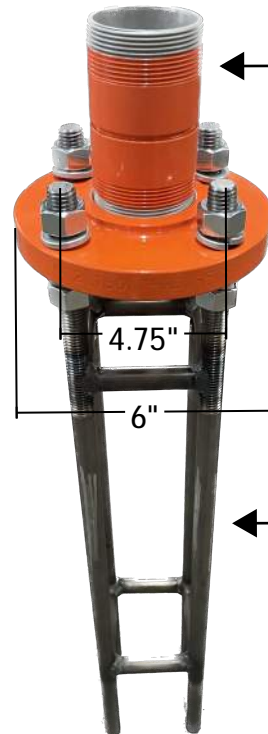
### L806-Hinge Plate

Custom built to existing foundation bolt pattern



### 7400-0000-1

Note: One FAA Size 1 Windsock included with every L806



### 1800-0025 Frangible

Note: One frangible coupling included with every L806 order

### L806-FM

Floor Flange Mount: Used for mounting Wind Cone directly to foundation. Anchors supplied by others or see optional L806-Anchor Cage

### L806-Anchor Cage

L-806 Anchor Cage, Welded square assembly. Used for embedding in foundation. Designed to fit L806-FM

### Sales Support:

1.800.545.4147, Press 4  
salessupport@adbsafegate.com

ADB Safegate, LLC  
700 Science Blvd.  
Gahanna, OH 43230