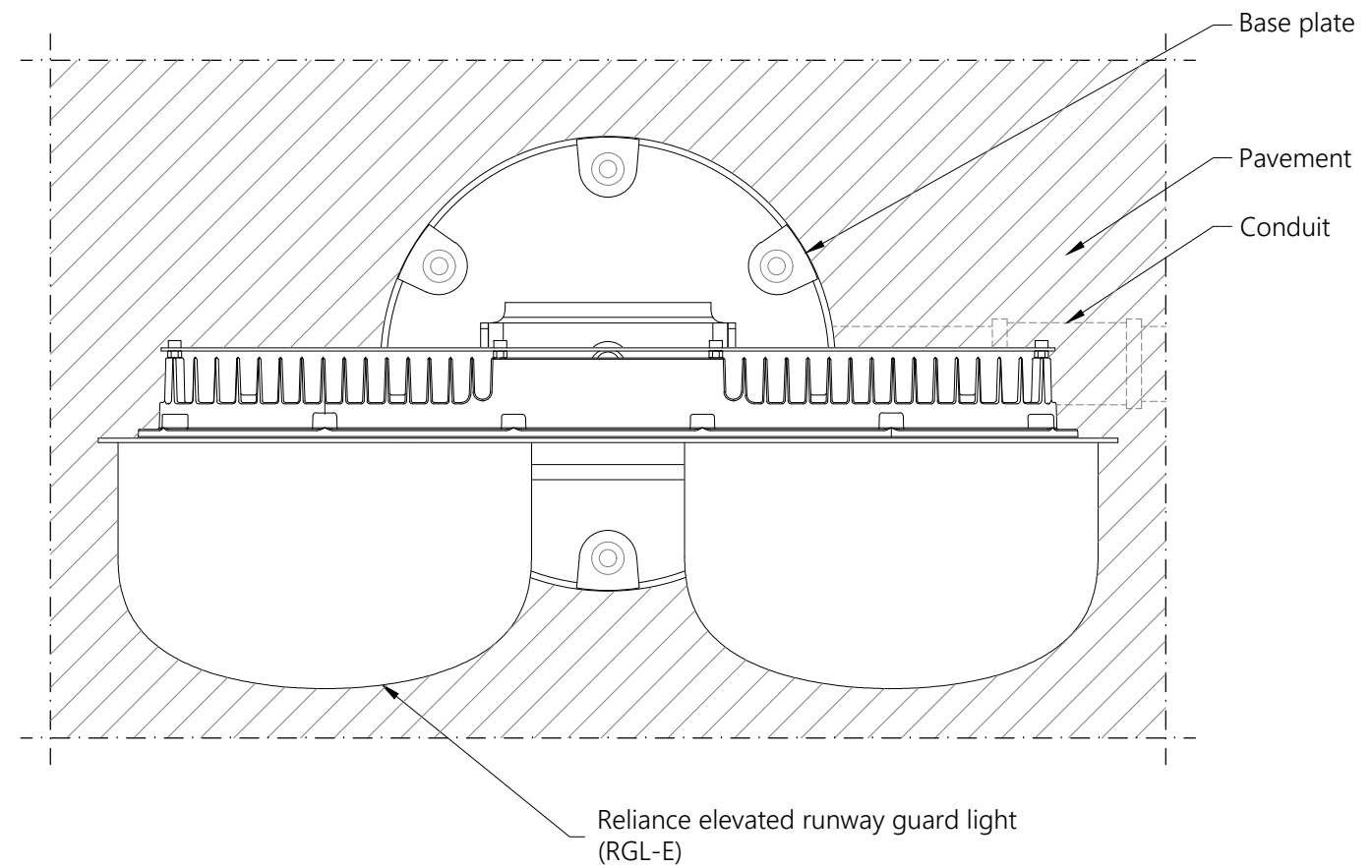



SECTION
 RELIANCE ELEVATED RUNWAY GUARD LIGHT
 Scale 1/5

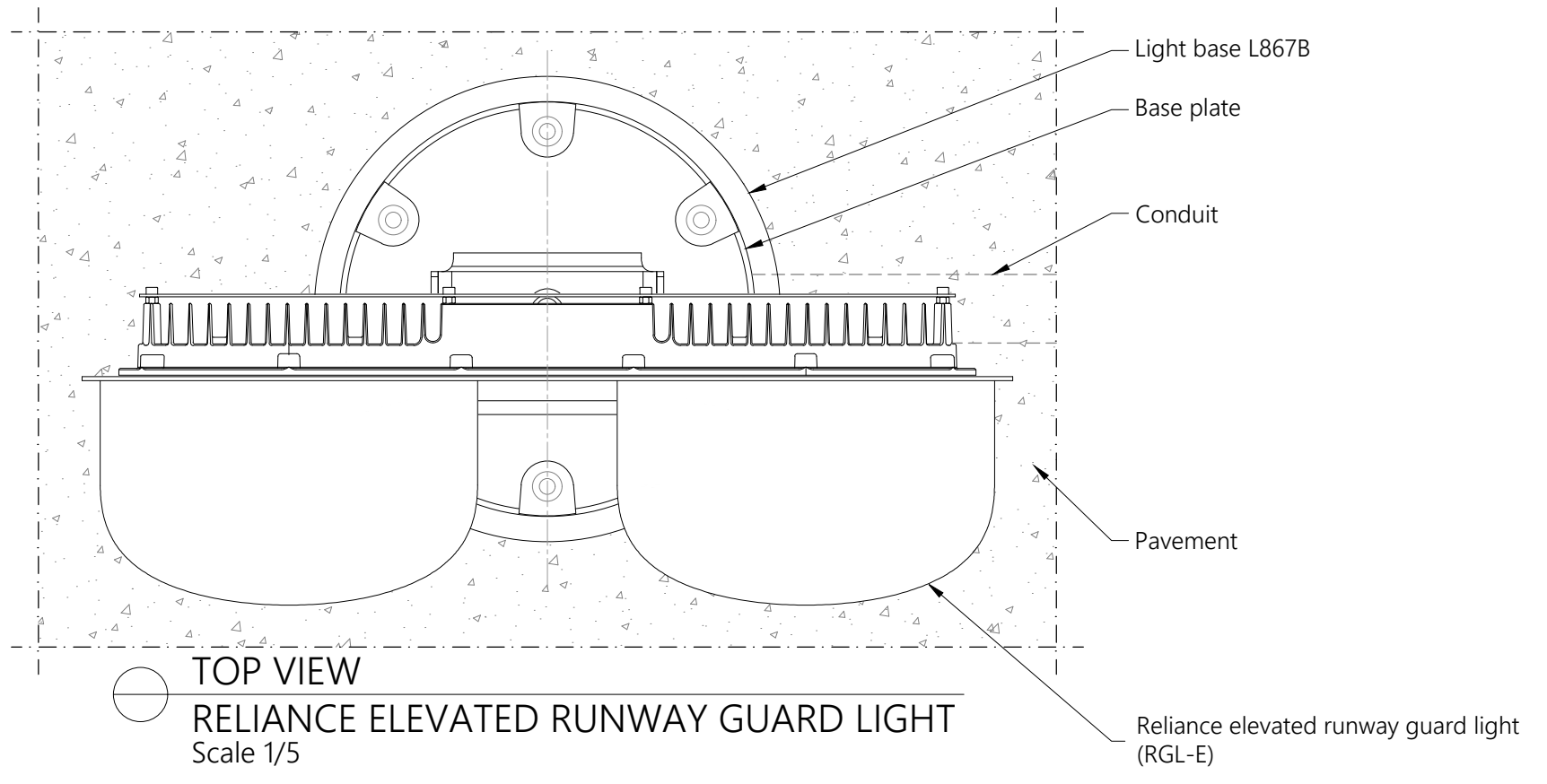


TOP VIEW
 RELIANCE ELEVATED RUNWAY GUARD LIGHT
 Scale 1/5

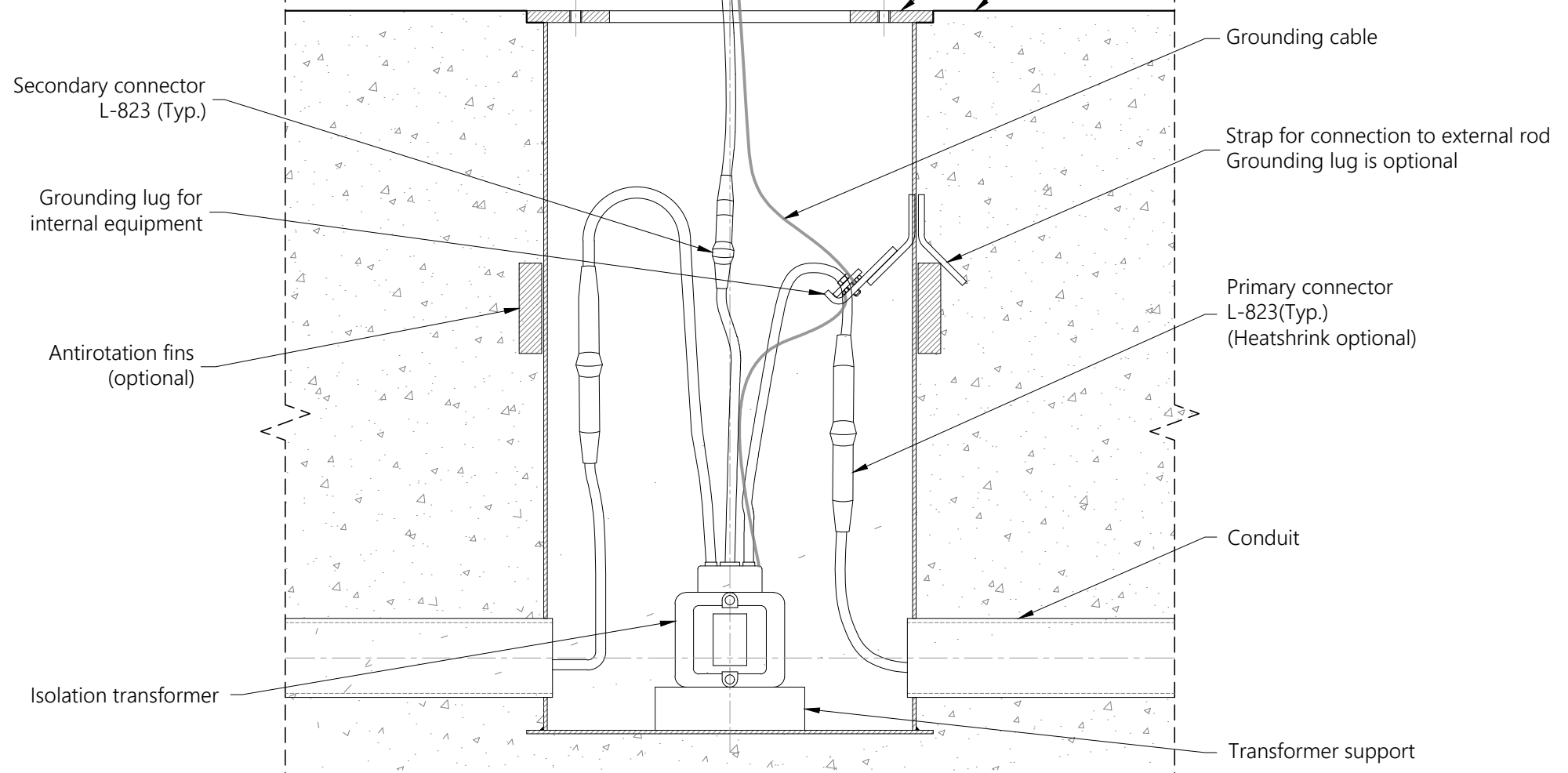
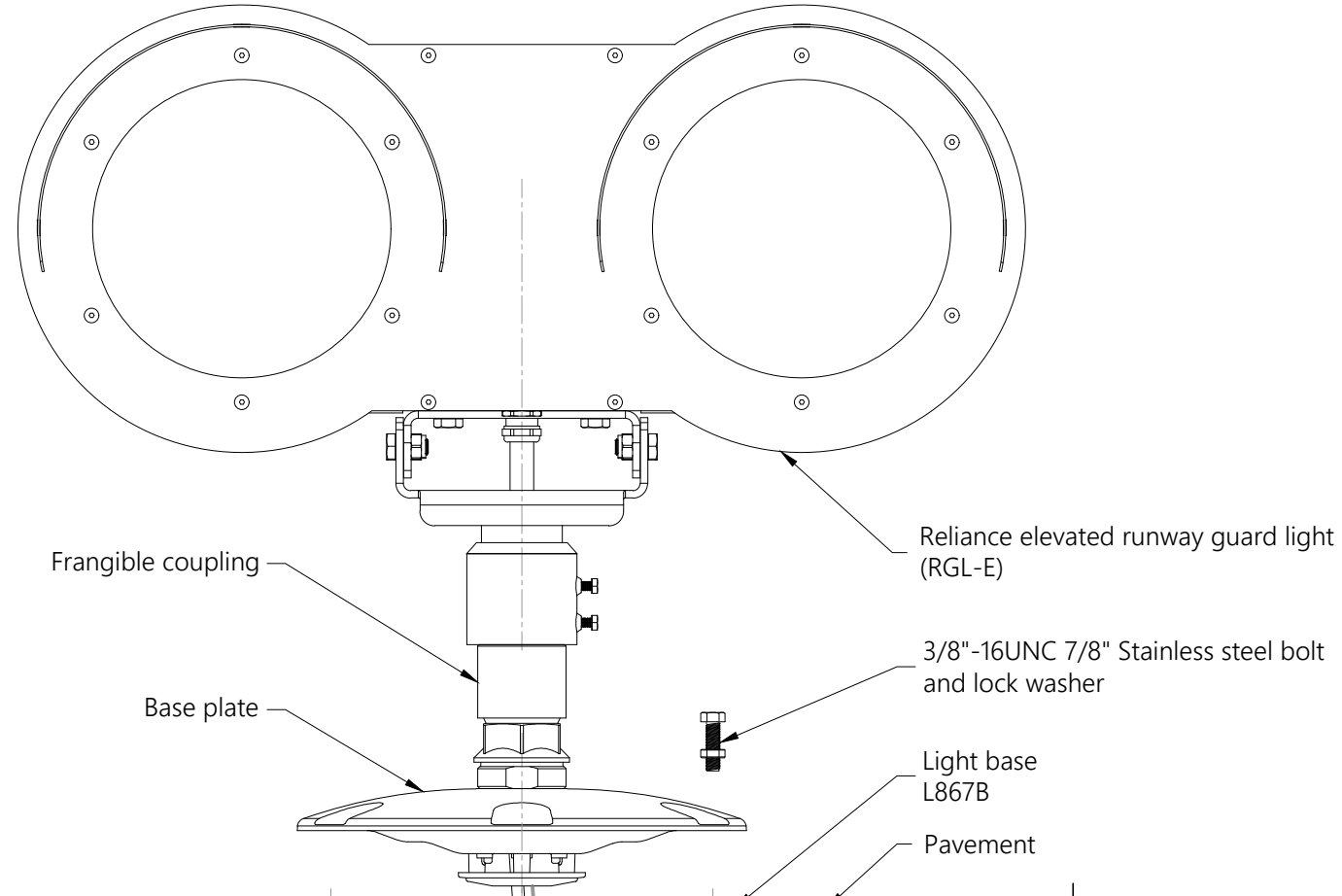
NOTES:

1. This drawing shows general installation details related to ADB Safegate products and is not for construction. The designer must verify compliance of design with local standards and varying characteristics for each unique airfield project.
2. Pavement types and dimensions shown are only indicative. Installation details may vary depending on project specific pavement types and dimensions.
3. Please refer to product installation manual for installation process details.

	RELIANCE LIGHT	SCALE: AS SHOWN	UNIT: mm
	RGL-E	DRAWN BY: JA	CHECKED BY: TH
	ELEVATED	DATE: 21/12/2023	SHEET: 1-2
TYPICAL INSTALLATION DETAILS		ADBSG_A_AGL_RELIANCE-E_RGL_Uni_01	



TOP VIEW
RELiance ELEVATED RUNWAY GUARD LIGHT
Scale 1/5



1 PIECE L-867B BASE INSTALLATION
RELiance ELEVATED RUNWAY GUARD LIGHT
Scale 1/5

- NOTES:
1. This drawing shows general installation details related to ADB Safegate products and is not for construction. The designer must verify compliance of design with local standards and varying characteristics for each unique airfield project.
 2. Pavement types and dimensions shown are only indicative. Installation details may vary depending on project specific pavement types and dimensions.
 3. Please refer to product installation manual for installation process details.

	RELiance LIGHT RGL-E	SCALE: AS SHOWN	UNIT: mm
	ELEVATED	DRAWN BY: JA	CHECKED BY: TH
	TYPICAL INSTALLATION DETAILS	DATE: 21/12/2023	SHEET: 2-2
		ADBSG_A_AGL_RELiance-E_RGL_Uni_01	