

4

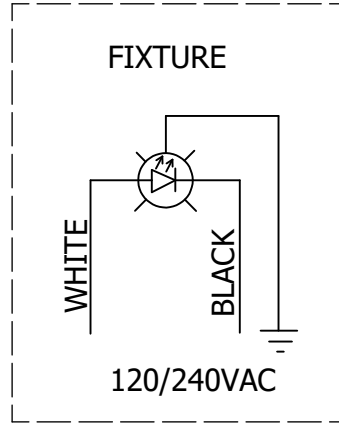
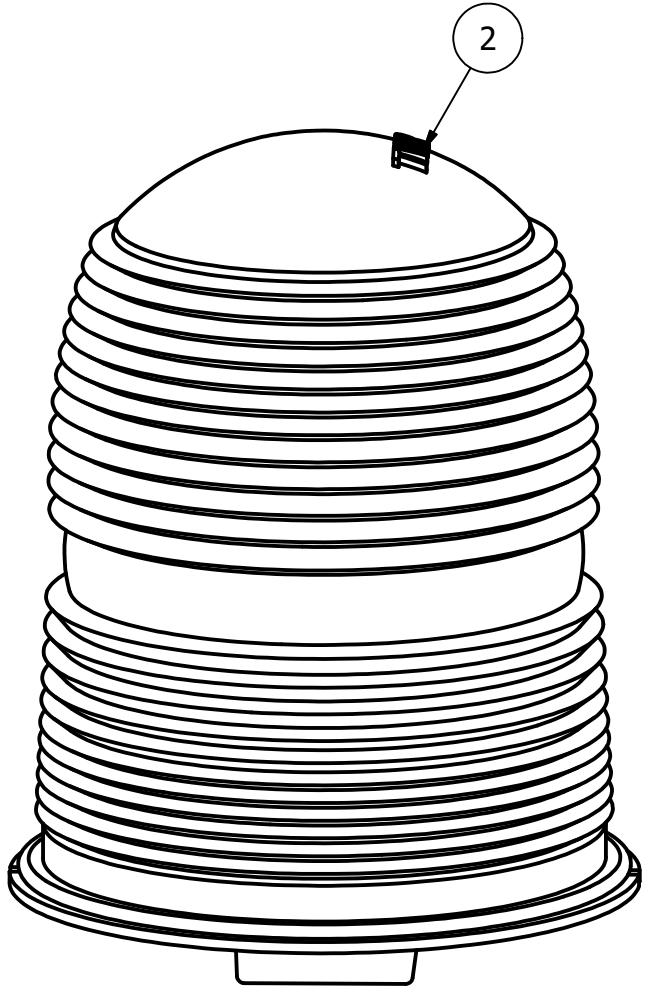
3

2

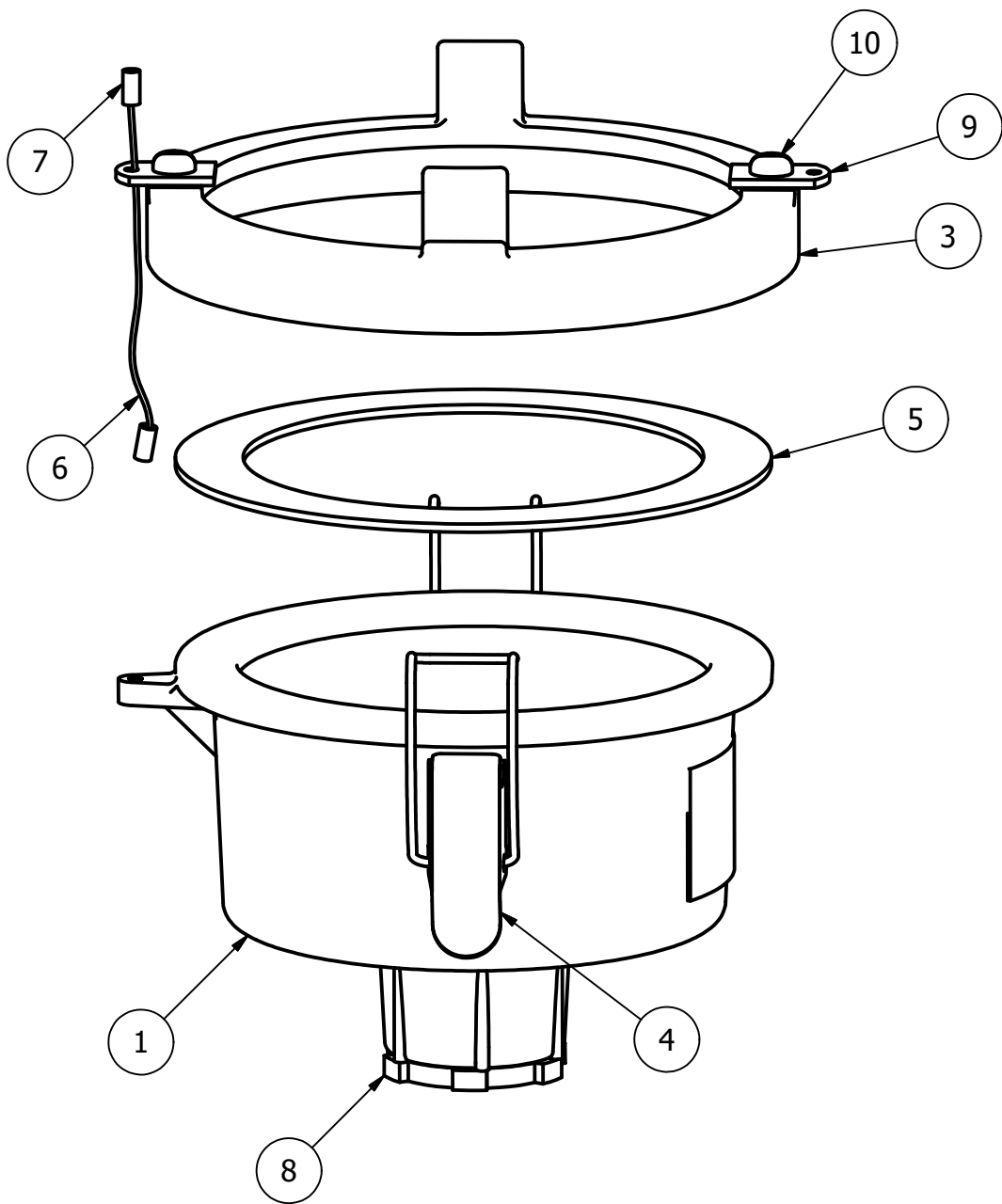
1

Parts List

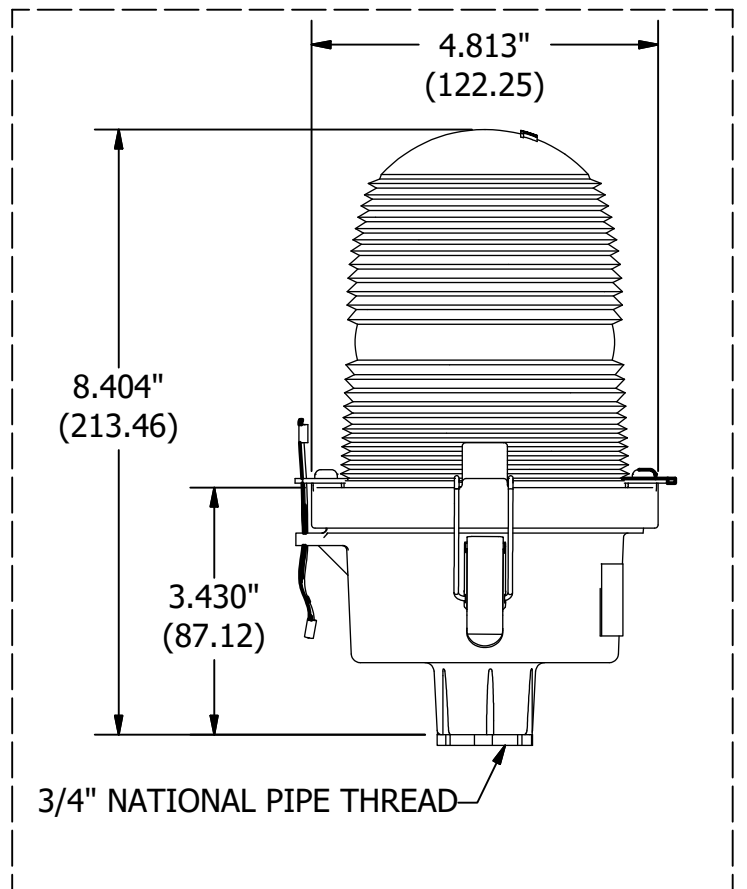
ITEM	QTY	PART NUMBER	DESCRIPTION
1	1	105RV	SINGLE SIDELIGHT BODY
2	1	LED120-2RK	120/240VAC LED LIGHT (OPTION)
2	1	LED120-2RK-IR	120/240VAC LED/IR LIGHT (OPTION)
3	1	106V	VALOX LENS HOLDER RING
4	2	HC255SS	SIDELIGHT LATCH
5	1	OLG2	OL1 6 LED GASKET
6	.5	7X7SS	1/16 HOL 7X7 S.S. WIRE
7	2	A1A	STAKON CRIMP
8	1	A314	3/4" CONDUIT LOCKNUT GALV.
9	3	12V245	OL LENS CLIP
10	3	832X14PH	8-32 X 1/4 PH SS SLOT SCREW



\* GROUND WIRE MUST BE CONNECTED TO PROPERLY PROTECT POWER SUPPLY. FAILURE TO GROUND WILL VOID ALL WARRANTIES.



DIMENSIONS



**OL1CBH34LED2-IR 120VAC FAA-OL16LED (L810 OBSTRUCTION LIGHT)**

PROD DEPT			
SERV DEPT			
ENGINEER			
DRAWN BY	J.BUSTAMANTE	SHEET SIZE B	SHEET QTY. 1 OF 1
DATE	6/14/2007	SCALE	N.T.S
		DWG. NO.	100657

AUTHOR	DATE	REV	DESCRIPTION
J.ZAMORANO	09/26/2023	E	UPDATED BOM

The use of non-OEM parts or modifications to original equipment design will void the manufacturer warranty and could invalidate the assurance of complying with FAA requirements as published in Advisory Circular 150/5345-43. NOTICE: The drawings and photographic images contained herein are the sole property of TWR Lighting, Inc. All information contained herein that is not generally known shall be considered confidential except to the extent the information has been previously established. The drawings and photographic images contained herein may not be reproduced, copied or used as the basis for manufacture or sale or promotion or any other purpose without the expressed written permission of TWR Lighting, Inc.

4

3

2

1