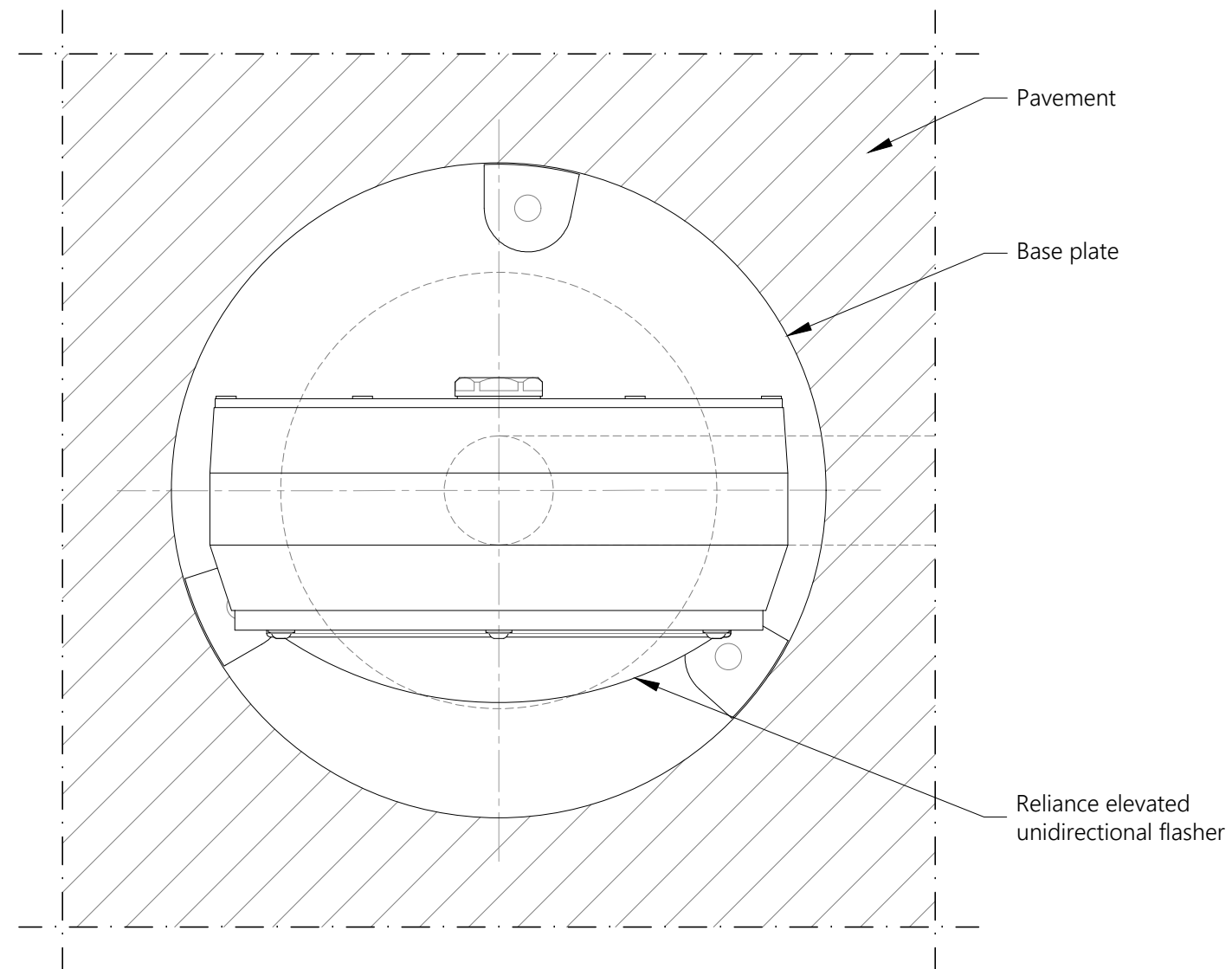


SECTION
 RELIANCE ELEVATED UNIDIRECTIONAL FLASHER
 Scale 1/5



TOP VIEW
 RELIANCE ELEVATED UNIDIRECTIONAL FLASHER
 Scale 1/3

NOTES:

1. This drawing shows general installation details related to ADB Safegate products and is for information only, not for construction. The designer must verify compliance of design with local standards and varying characteristics for each unique airfield project.
2. Pavement types and dimensions shown are only indicative. Installation details may vary depending on project specific pavement types and dimensions.
3. Please refer to product installation manual for installation process details.
4. ADB Safegate waives its liability for wrongful use of the information.

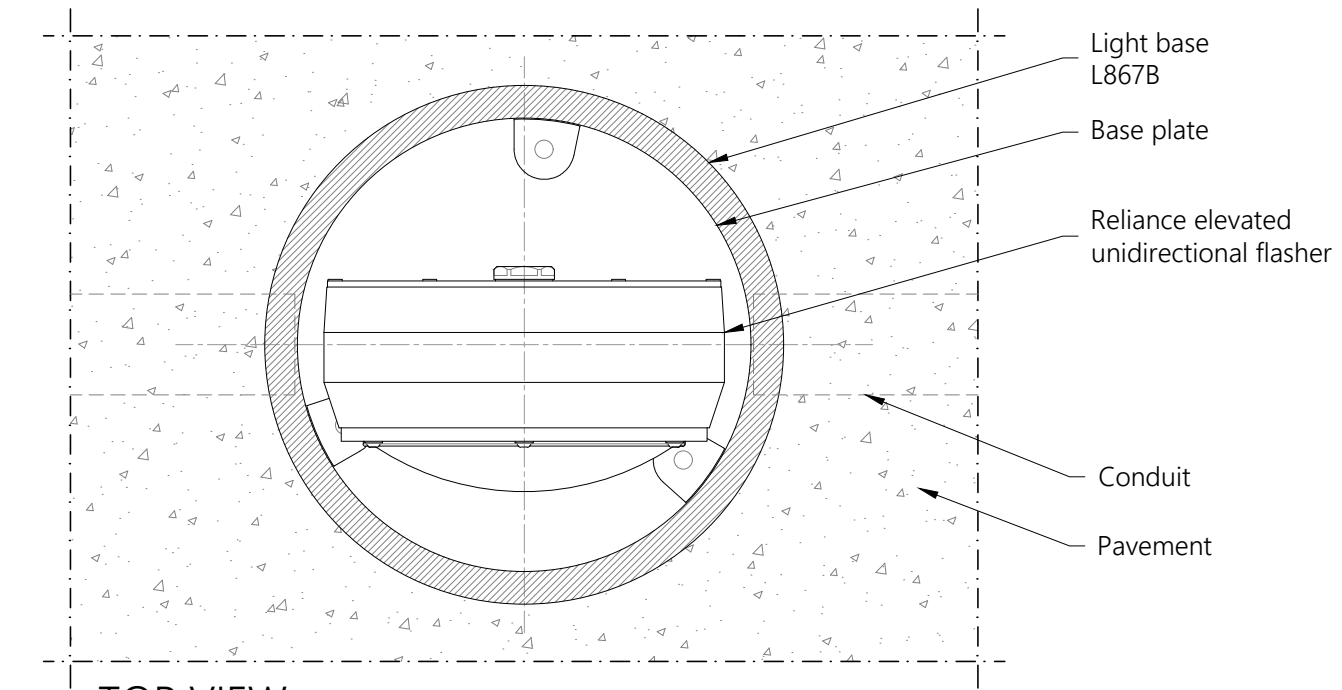


RELIANCE LIGHT
 FLASHER
 ELEVATED UNIDIRECTIONAL
 TYPICAL INSTALLATION DETAILS

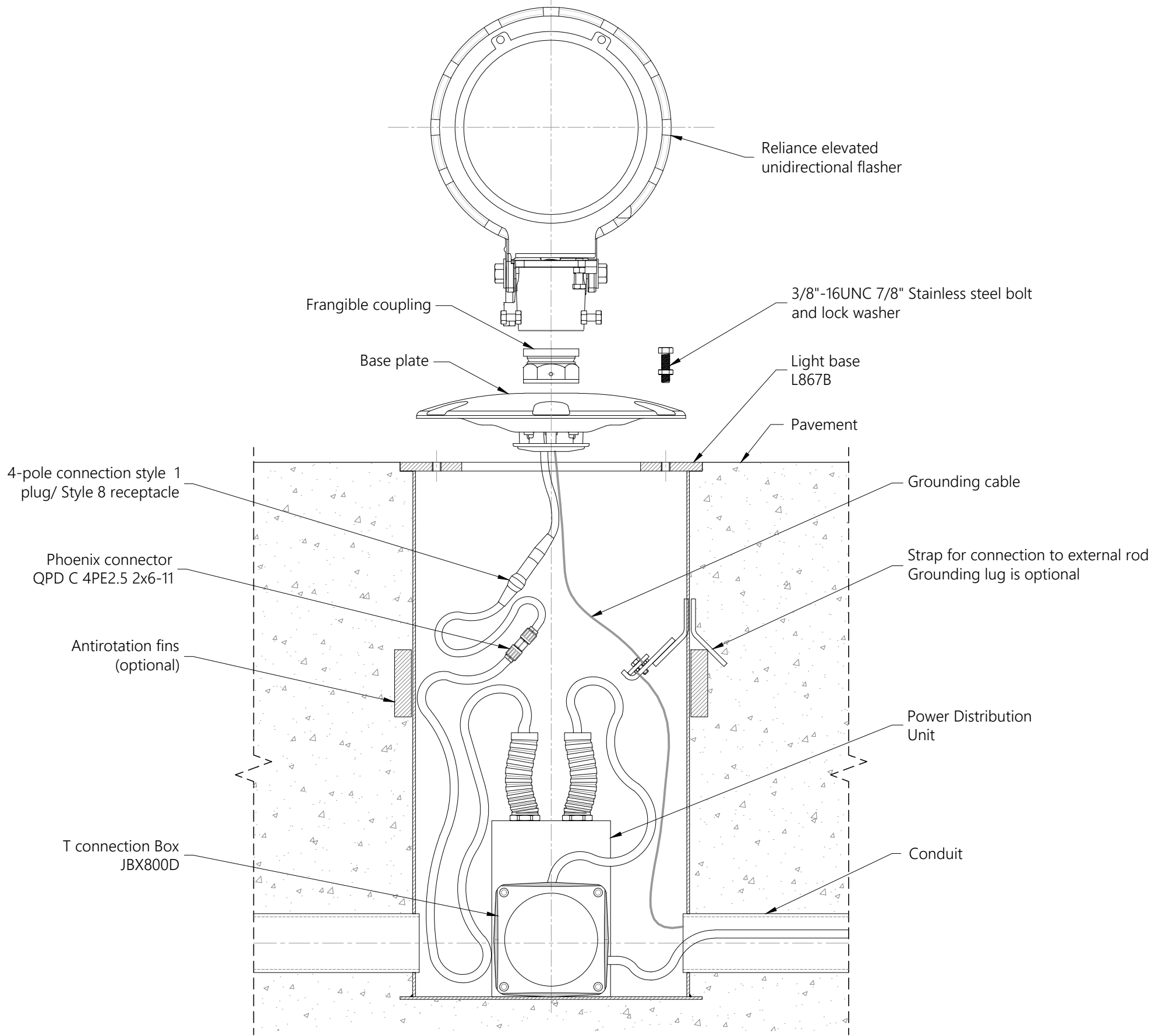
SCALE: AS SHOWN
 DRAWN BY: JA
 DATE: 09/02/2024

UNIT: mm
 CHECKED BY: TH
 SHEET: 1-2

ADBSG_A_AGL_RELIANCE-E_FLASH_Uni_01



TOP VIEW
RELIANCE ELEVATED UNIDIRECTIONAL FLASHER
 Scale 1/5



1 PIECE L-867B BASE INSTALLATION
RELIANCE ELEVATED UNIDIRECTIONAL FLASHER
 Scale 1/5

NOTES:

1. This drawing shows general installation details related to ADB Safegate products and is for information only, not for construction. The designer must verify compliance of design with local standards and varying characteristics for each unique airfield project.
2. Pavement types and dimensions shown are only indicative. Installation details may vary depending on project specific pavement types and dimensions.
3. Please refer to product installation manual for installation process details.
4. ADB Safegate waives its liability for wrongful use of the information.



RELIANCE LIGHT
 FLASHER
 ELEVATED UNIDIRECTIONAL
 TYPICAL INSTALLATION DETAILS

SCALE: AS SHOWN	UNIT: mm
DRAWN BY: JA	CHECKED BY: TH
DATE: 09/02/2024	SHEET: 2-2
ADBSG_A_AGL_RELIANCE-E_FLASH_Uni_01	