

Easy Drain[®]

by ess

Modulo TAF Low

Easy Drain Modulo TAF Low linear shower drain, the perfect solutions for all your bathroom wishes. The subtle stainless frame provides an elegant look and fits seamlessly into your bathroom floor. Furthermore, the revolutionary TAF-technology and Water Protection System guarantee easy installation and a waterproof finish. TAF Low was specially developed for application of thin flooring between (3-13 mm).

FEATURES

- Available lengths - 500 - 1200 mm
- Water Protection System - 10-year warranty
- Siphon - Easy to clean
- Drainage capacity - according to EN 1253
- Tile Adjustable Frame - Height adjustable 3 - 13 mm
- Supplied as - Complete set



Manufacturer

Easy Sanitary Solutions
Nijverheidsstraat 60 | 7575 BK Oldenzaal | The Netherlands
T. +31 (0)541 200 800 | F. +31 (0)541 200 899
info@esspost.com | www.easydrain.com

Contact

Easy Sanitary Solutions
Nijverheidsstraat 60 | 7575 BK Oldenzaal | The Netherlands
T. +31 (0)541 200 800 | F. +31 (0)541 200 899
sales@esspost.com | www.easydrain.com

GENERAL

| | |
|---------------|---|
| Serie | Modulo TAF Low |
| Name | Modulo TAF Low |
| Model | Rectangular shower drain |
| Length (mm) | 500, 600, 700, 800, 900, 1000, 1100, 1200 |
| Product type | Complete |
| Application | New construction, Renovation |
| Certification | EN1253, ETAG-022, cJPC, DIN 18534 |

INSTALLATION

| | |
|---|---|
| Substrate | Concrete / Sand Cement, Wooden floors, Lewis sheets |
| Floor finish | Thin tiles, Tiles / Mosaic, Cast / screed, Glass Mosaic |
| Height adjustable feet | Included |
| Installation option | Floor, Wall |
| Outlet | Horizontal |
| Connection (mm) | 50 (Global) / 56 (UK) |
| Min. installation depth (mm) (built-in set) | 83 |
| Min. installation depth (mm) (incl. grate) | 83 |

DRAINAGE

| | |
|---|----|
| Max. drainage capacity entrance (l/min) | 34 |
| Max. drainage capacity wall (l/min) | 42 |
| Max. drainage capacity (l/min) | 42 |

BUILT-IN SET

| | |
|--------------------------------|--------------------|
| Pre-assembled sealing membrane | Included |
| Siphon features | Cleanable |
| Water seal height (mm) | 50 |
| Outlet | Horizontal |
| Material siphon | Polypropylene (PP) |

DESIGN

| | |
|-------------------------|-------------------------------------|
| Grate finish | Tile |
| Grate pattern | Zero / Closed |
| Grate width (mm) | 50.5 |
| Grate tile insert (mm) | 7 |
| Adjustable grate | No |
| Frame type | TAF Low (Low Tile Adjustable Frame) |
| TAF Frame material | Stainless steel (304) |
| Design frame finish | N.A. |
| Frame width (mm) | 67 |
| Wheelchair accessible | Yes |
| Extension set available | No |



Manufacturer

Easy Sanitary Solutions
 Nijverheidsstraat 60 | 7575 BK Oldenzaal | The Netherlands
 T. +31 (0)541 200 800 | F. +31 (0)541 200 899
 info@esspost.com | www.easydrain.com

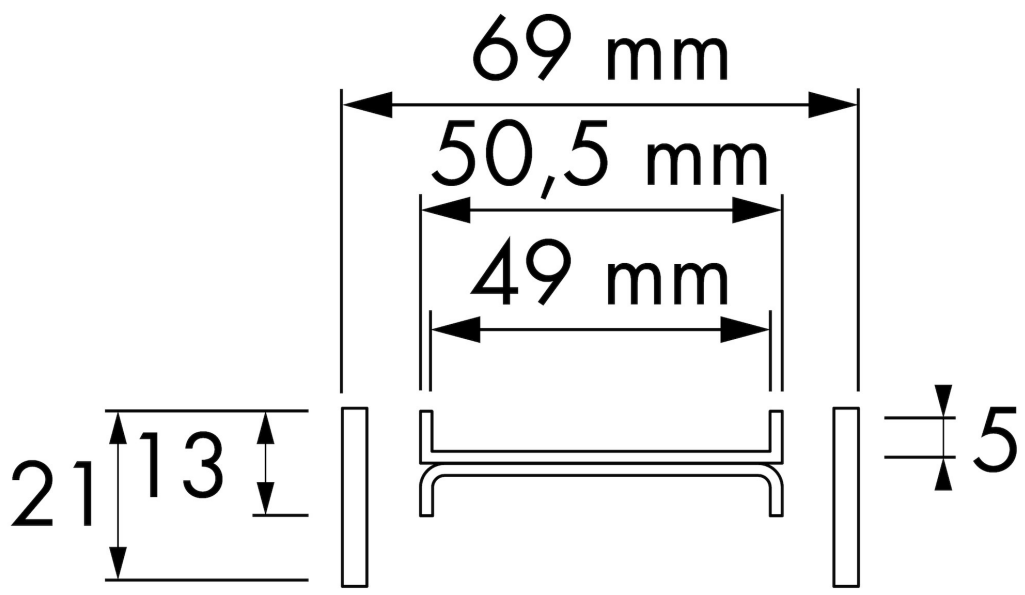
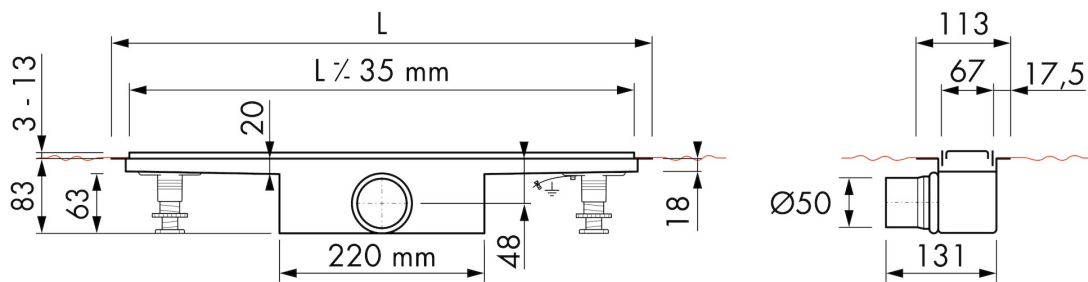
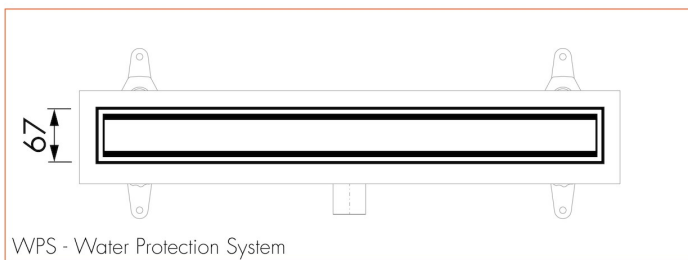
Contact

Easy Sanitary Solutions
 Nijverheidsstraat 60 | 7575 BK Oldenzaal | The Netherlands
 T. +31 (0)541 200 800 | F. +31 (0)541 200 899
 sales@esspost.com | www.easydrain.com

ARTICLE CODE

| | | | |
|---------|------------------|--|--|
| 500 mm | EDM1TAFLT500-50 | | |
| 600 mm | EDM1TAFLT600-50 | | |
| 700 mm | EDM1TAFLT700-50 | | |
| 800 mm | EDM1TAFLT800-50 | | |
| 900 mm | EDM1TAFLT900-50 | | |
| 1000 mm | EDM1TAFLT1000-50 | | |
| 1100 mm | EDM1TAFLT1100-50 | | |
| 1200 mm | EDM1TAFLT1200-50 | | |

TECHNICAL DRAWINGS



Manufacturer

Easy Sanitary Solutions
 Nijverheidsstraat 60 | 7575 BK Oldenzaal | The Netherlands
 T. +31 (0)541 200 800 | F. +31 (0)541 200 899
 info@esspost.com | www.easydrain.com

Contact

Easy Sanitary Solutions
 Nijverheidsstraat 60 | 7575 BK Oldenzaal | The Netherlands
 T. +31 (0)541 200 800 | F. +31 (0)541 200 899
 sales@esspost.com | www.easydrain.com