



Easy Drain[®]

by ess

Modulo TAF Low

Easy Drain Modulo TAF Low linear shower drain, the perfect solutions for all your bathroom wishes. The subtle stainless frame provides an elegant look and fits seamlessly into your bathroom floor. Furthermore, the revolutionary TAF-technology and Water Protection System guarantee easy installation and a waterproof finish. TAF Low was specially developed for application of thin flooring between (3-13 mm).

FEATURES

- Available lengths - 500 - 1200 mm
- Water Protection System - 10-year warranty
- Siphon - Easy to clean
- Drainage capacity - according to EN 1253
- Tile Adjustable Frame - Height adjustable 3 - 13 mm
- Supplied as - Complete set



Manufacturer

Easy Sanitary Solutions
Nijverheidsstraat 60 | 7575 BK Oldenzaal | The Netherlands
T. +31 (0)541 200 800 | F. +31 (0)541 200 899
info@esspost.com | www.easydrain.com

Contact

Easy Sanitary Solutions
Nijverheidsstraat 60 | 7575 BK Oldenzaal | The Netherlands
T. +31 (0)541 200 800 | F. +31 (0)541 200 899
sales@esspost.com | www.easydrain.com

GENERAL

| | |
|---------------|---|
| Serie | Modulo TAF Low |
| Name | Modulo TAF Low |
| Model | Rectangular shower drain |
| Length (mm) | 500, 600, 700, 800, 900, 1000, 1100, 1200 |
| Product type | Complete |
| Application | New construction, Renovation |
| Certification | EN1253, ETAG-022, DIN 18534 |

INSTALLATION

| | |
|---|---|
| Substrate | Concrete / Sand Cement, Wooden floors, Lewis sheets |
| Floor finish | Thin tiles, Tiles / Mosaic, Cast / screed, Glass Mosaic |
| Height adjustable feet | Included |
| Installation option | Floor, Wall |
| Outlet | Horizontal (Vertical outlet optional) |
| Connection (mm) | 50 (Global) / 56 (UK) |
| Min. installation depth (mm) (built-in set) | 87 |
| Min. installation depth (mm) (incl. grate) | 87 |

DRAINAGE

| | |
|---|----|
| Max. drainage capacity entrance (l/min) | 33 |
| Max. drainage capacity wall (l/min) | 41 |
| Max. drainage capacity (l/min) | 41 |

BUILT-IN SET

| | |
|--------------------------------|--|
| Pre-assembled sealing membrane | Included |
| Siphon features | Cleanable, Pivotal & adjustable, Height adjustable |
| Water seal height (mm) | 50 |
| Outlet | Horizontal (Vertical outlet optional) |
| Material siphon | Polypropylene (PP) |

DESIGN

| | |
|-------------------------|-------------------------------------|
| Grate finish | Tile |
| Grate pattern | Zero / Closed |
| Grate width (mm) | 50.5 |
| Grate tile insert (mm) | 7 |
| Adjustable grate | No |
| Frame type | TAF Low (Low Tile Adjustable Frame) |
| TAF Frame material | Stainless steel (304) |
| Design frame finish | N.A. |
| Frame width (mm) | 67 |
| Wheelchair accessible | Yes |
| Extension set available | No |



Manufacturer

Easy Sanitary Solutions
 Nijverheidsstraat 60 | 7575 BK Oldenzaal | The Netherlands
 T. +31 (0)541 200 800 | F. +31 (0)541 200 899
 info@esspost.com | www.easydrain.com

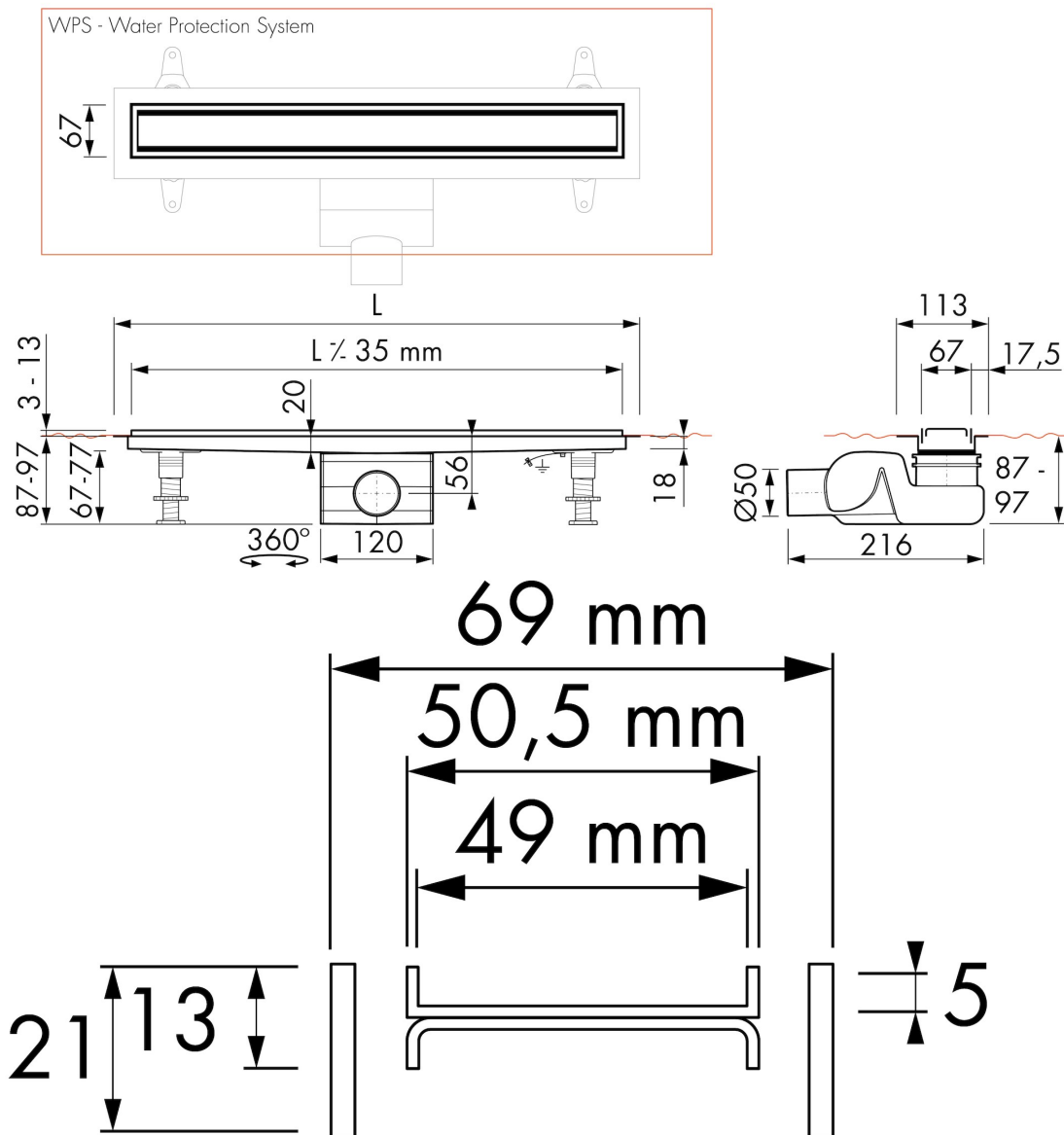
Contact

Easy Sanitary Solutions
 Nijverheidsstraat 60 | 7575 BK Oldenzaal | The Netherlands
 T. +31 (0)541 200 800 | F. +31 (0)541 200 899
 sales@esspost.com | www.easydrain.com

ARTICLE CODE

| | | | |
|---------|--------------------------------|--|--|
| 500 mm | MTAFLAAG-500-T / EDM2 500-50 | | |
| 600 mm | MTAFLAAG-600-T / EDM2 600-50 | | |
| 700 mm | MTAFLAAG-700-T / EDM2 700-50 | | |
| 800 mm | MTAFLAAG-800-T / EDM2 800-50 | | |
| 900 mm | MTAFLAAG-900-T / EDM2 900-50 | | |
| 1000 mm | MTAFLAAG-1000-T / EDM2 1000-50 | | |
| 1100 mm | MTAFLAAG-1100-T / EDM2 1100-50 | | |
| 1200 mm | MTAFLAAG-1200-T / EDM2 1200-50 | | |

TECHNICAL DRAWINGS



Manufacturer

Easy Sanitary Solutions
 Nijverheidsstraat 60 | 7575 BK Oldenzaal | The Netherlands
 T. +31 (0)541 200 800 | F. +31 (0)541 200 899
 info@esspost.com | www.easydrain.com

Contact

Easy Sanitary Solutions
 Nijverheidsstraat 60 | 7575 BK Oldenzaal | The Netherlands
 T. +31 (0)541 200 800 | F. +31 (0)541 200 899
 sales@esspost.com | www.easydrain.com