



# Easy Drain<sup>®</sup>

by ess

## Vinyl

Easy Drain Vinyl is specially designed for use in combination with vinyl flooring. The vinyl can easily be clamped between the drain's grate and build-in set to ensure a complete watertight installation. This way, the frame seamlessly fits into the vinyl floor. The Vinyl linear shower drain is supplied as complete set including: lockable grate, trap body, drainage siphon and height adjustable legs.

## FEATURES

- Available lengths - 700 - 1200 mm
- Drainage capacity - according to EN 1253
- Siphon - Easy to clean
- Suitable for - Vinyl flooring
- Supplied as - Complete set



### Manufacturer

Easy Sanitary Solutions  
Nijverheidsstraat 60 | 7575 BK Oldenzaal | The Netherlands  
T. +31 (0)541 200 800 | F. +31 (0)541 200 899  
info@esspost.com | www.easydrain.com

### Contact

Easy Sanitary Solutions  
Nijverheidsstraat 60 | 7575 BK Oldenzaal | The Netherlands  
T. +31 (0)541 200 800 | F. +31 (0)541 200 899  
sales@esspost.com | www.easydrain.com

## GENERAL

|               |                              |
|---------------|------------------------------|
| Serie         | Vinyl                        |
| Name          | Vinyl                        |
| Model         | Rectangular shower drain     |
| Length (mm)   | 700, 800, 900, 1000, 1200    |
| Product type  | Complete                     |
| Application   | New construction, Renovation |
| Certification | EN1253, ETAG-022, DIN 18534  |

## INSTALLATION

|   |   |
|---|---|
| Substrate                                   | Concrete / Sand Cement, Wooden floors, Lewis sheets |
| Floor finish                                | Vinyl   |
| Height adjustable feet                      | Included  |
| Installation option                         | Floor   |
| Outlet                                      | Horizontal (Vertical outlet optional)               |
| Connection (mm)                             | 50 (Global) / 56 (UK)                               |
| Min. installation depth (mm) (built-in set) | 99  |
| Min. installation depth (mm) (incl. grate)  | 99  |

## DRAINAGE

|   |    |
|---|----|
| Max. drainage capacity entrance (l/min) | 33 |
| Max. drainage capacity wall (l/min)     | 41 |
| Max. drainage capacity (l/min)          | 33 |

## BUILT-IN SET

|                                |  |
|--------------------------------|--|
| Pre-assembled sealing membrane | Excluded   |
| Siphon features                | Cleanable, Pivotal & adjustable, Height adjustable |
| Water seal height (mm)         | 50   |
| Outlet                         | Horizontal (Vertical outlet optional)              |
| Material siphon                | Polypropylene (PP)                                 |

## DESIGN

|                         |                         |
|-------------------------|-------------------------|
| Grate finish            | Brushed stainless steel |
| Grate pattern           | Centre                  |
| Grate width (mm)        | 63                      |
| Grate tile insert (mm)  | N.A.                    |
| Adjustable grate        | No                      |
| Frame type              | N.A.                    |
| TAF Frame material      | N.A.                    |
| Design frame finish     | N.A.                    |
| Frame width (mm)        | N.A.                    |
| Wheelchair accessible   | Yes                     |
| Extension set available | No                      |



### Manufacturer

Easy Sanitary Solutions  
 Nijverheidsstraat 60 | 7575 BK Oldenzaal | The Netherlands  
 T. +31 (0)541 200 800 | F. +31 (0)541 200 899  
 info@esspost.com | www.easydrain.com

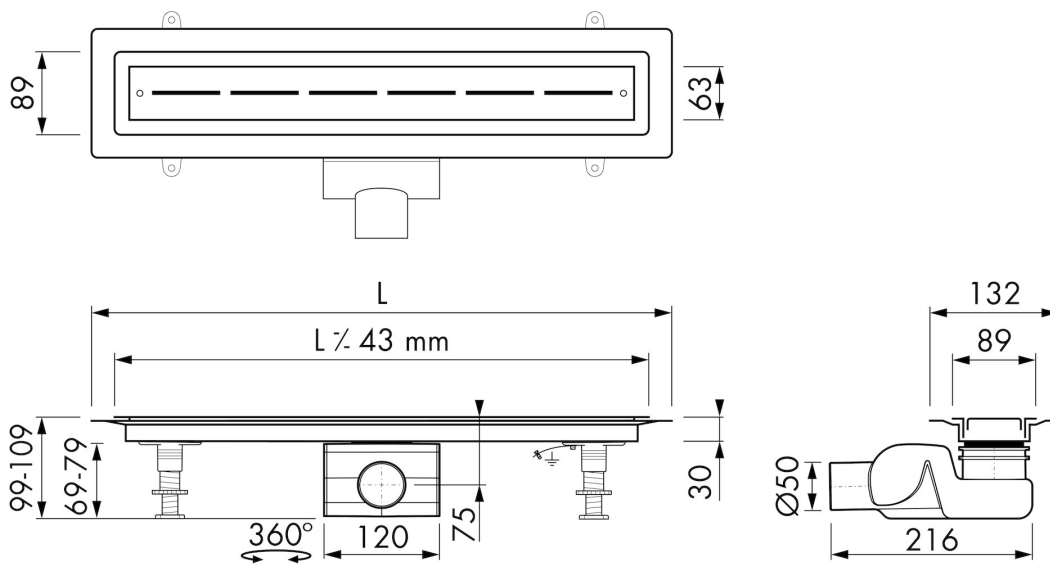
### Contact

Easy Sanitary Solutions  
 Nijverheidsstraat 60 | 7575 BK Oldenzaal | The Netherlands  
 T. +31 (0)541 200 800 | F. +31 (0)541 200 899  
 sales@esspost.com | www.easydrain.com

## ARTICLE CODE

|         |                  |  |  |
|---------|------------------|--|--|
| 700 mm  | EDVIN-M2-700-50  |  |  |
| 800 mm  | EDVIN-M2-800-50  |  |  |
| 900 mm  | EDVIN-M2-900-50  |  |  |
| 1000 mm | EDVIN-M2-1000-50 |  |  |
| 1200 mm | EDVIN-M2-1200-50 |  |  |
|         |                  |  |  |

## TECHNICAL DRAWINGS



### Manufacturer

Easy Sanitary Solutions  
 Nijverheidsstraat 60 | 7575 BK Oldenzaal | The Netherlands  
 T. +31 (0)541 200 800 | F. +31 (0)541 200 899  
 info@esspost.com | www.easydrain.com

### Contact

Easy Sanitary Solutions  
 Nijverheidsstraat 60 | 7575 BK Oldenzaal | The Netherlands  
 T. +31 (0)541 200 800 | F. +31 (0)541 200 899  
 sales@esspost.com | www.easydrain.com