



# Easy Drain<sup>®</sup>

by ess

## Compact Clean 50 FF Zero

Compact Clean is the world's flattest shower drain (making it perfect for renovation projects) and it requires almost no cleaning! Thanks to its improved siphon with our Dryphon<sup>®</sup> technology, it is now more powerful and convenient.

### FEATURES

- Available lengths - 500 - 1200 mm
- Water Protection System - 10-year warranty
- Siphon - Easy to clean
- Suitable for - Renovation projects
- Supplied as - Complete set
- Dryphon<sup>®</sup> technology - More power - less cleaning



#### Manufacturer

Easy Sanitary Solutions  
Nijverheidsstraat 60 | 7575 BK Oldenzaal | The Netherlands  
T. +31 (0)541 200 800 | F. +31 (0)541 200 899  
info@esspost.com | www.easydrain.com

#### Contact

Easy Sanitary Solutions  
Nijverheidsstraat 60 | 7575 BK Oldenzaal | The Netherlands  
T. +31 (0)541 200 800 | F. +31 (0)541 200 899  
sales@esspost.com | www.easydrain.com

## GENERAL

|               |   |
|---------------|---|
| Serie         | Compact FF                                |
| Name          | Compact Clean 50 FF Zero                  |
| Model         |   |
| Length (mm)   | 500, 600, 700, 800, 900, 1000, 1100, 1200 |
| Product type  | Complete                                  |
| Application   | Renovation                                |
| Certification | DIN 18534, ETAG-022                       |

## INSTALLATION

|   |   |
|---|---|
| Substrate                                   | Lewis sheets, Concrete / Sand Cement, Wooden floors |
| Floor finish                                | Tiles / Mosaic, Glass Mosaic, Thin tiles            |
| Height adjustable feet                      | Included  |
| Installation option                         | Wall, Floor   |
| Outlet                                      | Horizontal  |
| Connection (mm)                             | N.A.  |
| Min. installation depth (mm) (built-in set) | 68  |
| Min. installation depth (mm) (incl. grate)  | 83  |

## DRAINAGE

|   |                          |
|---|--------------------------|
| Max. drainage capacity entrance (l/min) | 34 (50 mm), 54 (Dryphon) |
| Max. drainage capacity wall (l/min)     | 42 (50 mm), 60 (Dryphon) |
| Max. drainage capacity (l/min)          | 42 (50 mm), 60 (Dryphon) |

## BUILT-IN SET

|                                |                    |
|--------------------------------|--------------------|
| Pre-assembled sealing membrane | Included           |
| Siphon features                | Cleanable          |
| Water seal height (mm)         | 50                 |
| Outlet                         | Horizontal         |
| Material siphon                | Polypropylene (PP) |

## DESIGN

|                         |                         |
|-------------------------|-------------------------|
| Grate finish            | Brushed stainless steel |
| Grate pattern           | Zero / Closed           |
| Grate width (mm)        | 45                      |
| Grate tile insert (mm)  | N.A.                    |
| Adjustable grate        | No                      |
| Frame type              | N.A.                    |
| TAF Frame material      | N.A.                    |
| Design frame finish     | N.A.                    |
| Frame width (mm)        | N.A.                    |
| Wheelchair accessible   | Yes                     |
| Extension set available | N.A.                    |



### Manufacturer

Easy Sanitary Solutions  
 Nijverheidsstraat 60 | 7575 BK Oldenzaal | The Netherlands  
 T. +31 (0)541 200 800 | F. +31 (0)541 200 899  
 info@esspost.com | www.easydrain.com

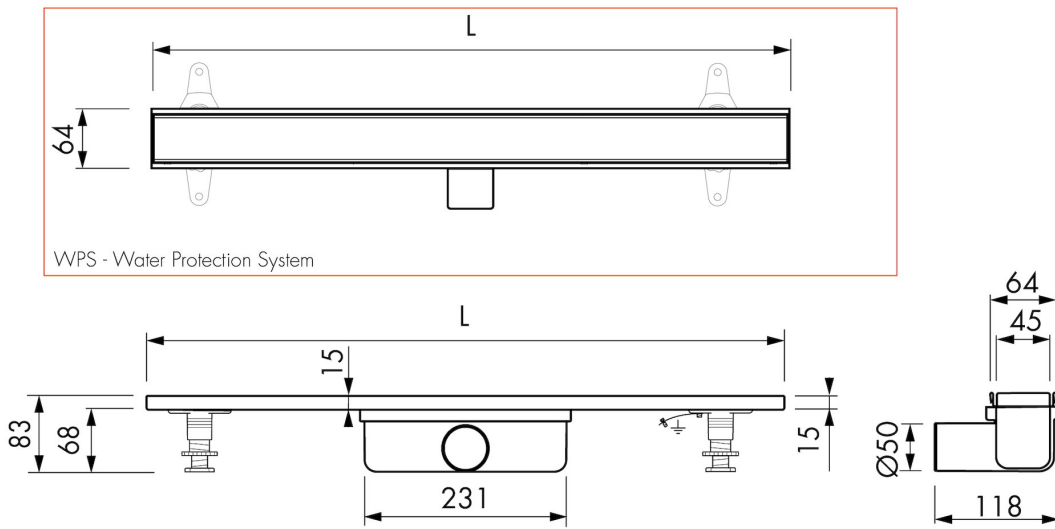
### Contact

Easy Sanitary Solutions  
 Nijverheidsstraat 60 | 7575 BK Oldenzaal | The Netherlands  
 T. +31 (0)541 200 800 | F. +31 (0)541 200 899  
 sales@esspost.com | www.easydrain.com

## ARTICLE CODE

|         |                      |  |  |
|---------|----------------------|--|--|
| 500 mm  | EDCLEANCOMFFZ500-50  |  |  |
| 600 mm  | EDCLEANCOMFFZ600-50  |  |  |
| 700 mm  | EDCLEANCOMFFZ700-50  |  |  |
| 800 mm  | EDCLEANCOMFFZ800-50  |  |  |
| 900 mm  | EDCLEANCOMFFZ900-50  |  |  |
| 1000 mm | EDCLEANCOMFFZ1000-50 |  |  |
| 1100 mm | EDCLEANCOMFFZ1100-50 |  |  |
| 1200 mm | EDCLEANCOMFFZ1200-50 |  |  |

## TECHNICAL DRAWINGS



**Manufacturer**

Easy Sanitary Solutions  
 Nijverheidsstraat 60 | 7575 BK Oldenzaal | The Netherlands  
 T. +31 (0)541 200 800 | F. +31 (0)541 200 899  
 info@esspost.com | www.easydrain.com

**Contact**

Easy Sanitary Solutions  
 Nijverheidsstraat 60 | 7575 BK Oldenzaal | The Netherlands  
 T. +31 (0)541 200 800 | F. +31 (0)541 200 899  
 sales@esspost.com | www.easydrain.com