



Easy Drain<sup>®</sup>  
by ess

## R-line Wall | Polished | Ws 28/50 mm

Easy Drain R-line Waterstop is not just functional but also beautifully designed. This shower drain with subtle slope has a model for wall and floor installation. The R-line Waterstop is available in various standard lengths that can be shortened on-site. With its large pre-assembled sealing membrane (130x200 cm) it's easy to waterproof the complete shower floor while the Tile Adjustable Frame (TAF) system guarantees a 100% secure installation.

### FEATURES

- Available lengths - 700 - 1200 mm
- Water Protection System - 10-year warranty
- Tile Adjustable Frame - Height adjustable 7 - 18 mm
- Drainage capacity - according to EN 1253
- Supplied as - Complete set
- Custom Length - Can be shortened on site
- Large sealing membrane (130x200 cm) - waterproofing the complete shower floor



#### Manufacturer

Easy Sanitary Solutions  
Nijverheidsstraat 60 | 7575 BK Oldenzaal | The Netherlands  
T. +31 (0)541 200 800 | F. +31 (0)541 200 899  
info@esspost.com | www.easydrain.com

#### Contact

Easy Sanitary Solutions  
Nijverheidsstraat 60 | 7575 BK Oldenzaal | The Netherlands  
T. +31 (0)541 200 800 | F. +31 (0)541 200 899  
sales@esspost.com | www.easydrain.com

## GENERAL

Serie	R-line
Name	R-line Wall   Polished   Ws 28/50 mm
Model	Rectangular shower drain
Length (mm)	700, 800, 900, 1000, 1200
Product type	Complete
Application	Renovation, New construction
Certification	EN1253, DIN 18534

## INSTALLATION

Substrate	Concrete / Sand Cement, Wooden floors, Lewis sheets, Synthetic, Concrete
Floor finish	Thin tiles, Tiles / Mosaic, Cast / screed, Glass Mosaic
Height adjustable feet	N.A.
Installation option	Wall
Outlet	Horizontal (Vertical outlet optional)
Connection (mm)	50 (Global) / 56 (UK)
Min. installation depth (mm) (built-in set)	69 (28 mm) / 95 (50 mm)
Min. installation depth (mm) (incl. grate)	76 (28 mm) / 102 (50 mm)

## DRAINAGE

Max. drainage capacity entrance (l/min)	28 (28 mm) / 33 (50 mm)
Max. drainage capacity wall (l/min)	33 (28 mm) / 41 (50 mm)
Max. drainage capacity (l/min)	33 (28 mm) / 41 (50 mm)

## BUILT-IN SET

Pre-assembled sealing membrane	Included
Siphon features	Cleanable, Pivotal & adjustable, Height adjustable
Water seal height (mm)	28 / 50
Outlet	Horizontal (Vertical outlet optional)
Material siphon	Polypropylene (PP)

## DESIGN

Grate finish	Polished stainless steel
Grate pattern	Slot
Grate width (mm)	33
Grate tile insert (mm)	N.A.
Adjustable grate	No
Frame type	TAF (Tile Adjustable Frame)
TAF Frame material	Stainless steel (304)
Design frame finish	Brushed stainless steel
Frame width (mm)	50
Wheelchair accessible	Yes
Extension set available	N.A.



### Manufacturer

Easy Sanitary Solutions  
 Nijverheidsstraat 60 | 7575 BK Oldenzaal | The Netherlands  
 T. +31 (0)541 200 800 | F. +31 (0)541 200 899  
 info@esspost.com | www.easydrain.com

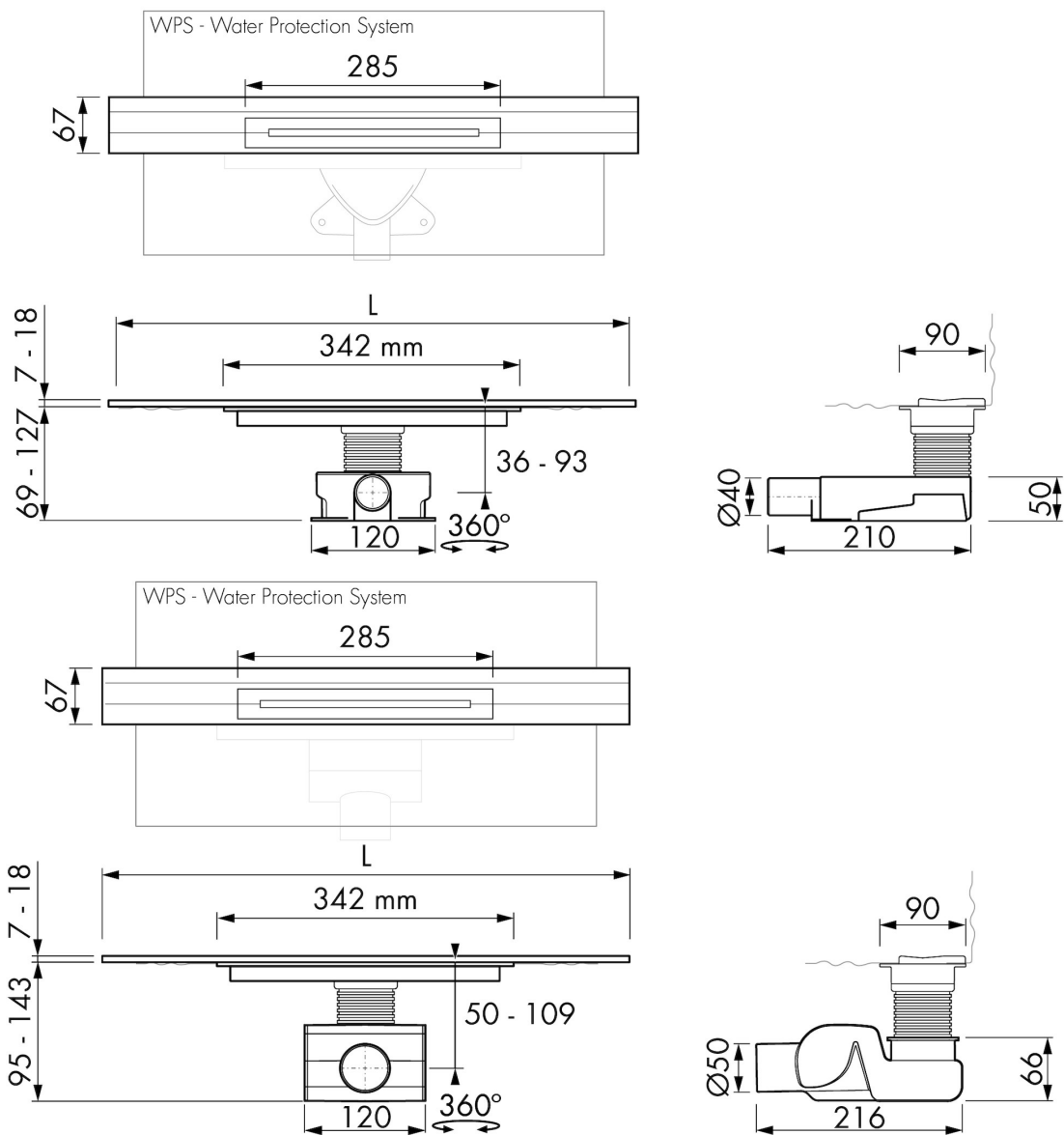
### Contact

Easy Sanitary Solutions  
 Nijverheidsstraat 60 | 7575 BK Oldenzaal | The Netherlands  
 T. +31 (0)541 200 800 | F. +31 (0)541 200 899  
 sales@esspost.com | www.easydrain.com

## ARTICLE CODE

700 mm	R-LINE-700-PW		
800 mm	R-LINE-800-PW		
900 mm	R-LINE-900-PW		
1000 mm	R-LINE-1000-PW		
1200 mm	R-LINE-1200-PW		

## TECHNICAL DRAWINGS



**Manufacturer**

Easy Sanitary Solutions  
 Nijverheidsstraat 60 | 7575 BK Oldenzaal | The Netherlands  
 T. +31 (0)541 200 800 | F. +31 (0)541 200 899  
 info@esspost.com | www.easydrain.com

**Contact**

Easy Sanitary Solutions  
 Nijverheidsstraat 60 | 7575 BK Oldenzaal | The Netherlands  
 T. +31 (0)541 200 800 | F. +31 (0)541 200 899  
 sales@esspost.com | www.easydrain.com