

Easy Drain[®]
by ess

Modulo Shower board

The new Easy Drain Modulo m² Shower Board eliminates the extensive and time consuming slope creating process with cement or mortar. The Easy Drain Modulo m² Shower Board combines extremely easy installation and low installation depth including the Easy Drain Modulo M-2 build-in set.

FEATURES

- Drainage capacity - according to EN 1253
- Grate - Height adjustable grate
- Siphon - Easy to clean
- Custom Length - Can be shortened on site
- Slope - Easy slope creation without mortar or cement



Manufacturer

Easy Sanitary Solutions
Nijverheidsstraat 60 | 7575 BK Oldenzaal | The Netherlands
T. +31 (0)541 200 800 | F. +31 (0)541 200 899
info@esspost.com | www.easydrain.com

Contact

Easy Sanitary Solutions
Nijverheidsstraat 60 | 7575 BK Oldenzaal | The Netherlands
T. +31 (0)541 200 800 | F. +31 (0)541 200 899
sales@esspost.com | www.easydrain.com

GENERAL

Serie	Shower boards
Name	Modulo Shower board
Model	Rectangular shower drain
Length (mm)	1200 x 1300
Product type	N.A.
Application	New construction, Renovation
Certification	EN1253, ETAG-022, DIN 18534

INSTALLATION

Substrate	Concrete / Sand Cement, Wooden floors, Lewis sheets
Floor finish	Tiles / Mosaic, Natural stone, Glass Mosaic, Cast / screed, Thin tiles
Height adjustable feet	Excluded
Installation option	Floor
Outlet	Horizontal (Vertical outlet optional)
Connection (mm)	50 (Global) / 56 (UK)
Min. installation depth (mm) (built-in set)	N.A.
Min. installation depth (mm) (incl. grate)	79

DRAINAGE

Max. drainage capacity entrance (l/min)	N.A.
Max. drainage capacity wall (l/min)	41
Max. drainage capacity (l/min)	41

BUILT-IN SET

Pre-assembled sealing membrane	Included
Siphon features	Cleanable, Pivotal & adjustable, Height adjustable
Water seal height (mm)	28 / 50
Outlet	Horizontal (Vertical outlet optional)
Material siphon	ABS

DESIGN

Grate finish	Brushed stainless steel / Tile
Grate pattern	Zero / Closed
Grate width (mm)	45
Grate tile insert (mm)	12
Adjustable grate	Yes
Frame type	TAF (Tile Adjustable Frame)
TAF Frame material	Stainless steel (304)
Design frame finish	N.A.
Frame width (mm)	62
Wheelchair accessible	Yes
Extension set available	Yes



Manufacturer

Easy Sanitary Solutions
 Nijverheidsstraat 60 | 7575 BK Oldenzaal | The Netherlands
 T. +31 (0)541 200 800 | F. +31 (0)541 200 899
 info@esspost.com | www.easydrain.com

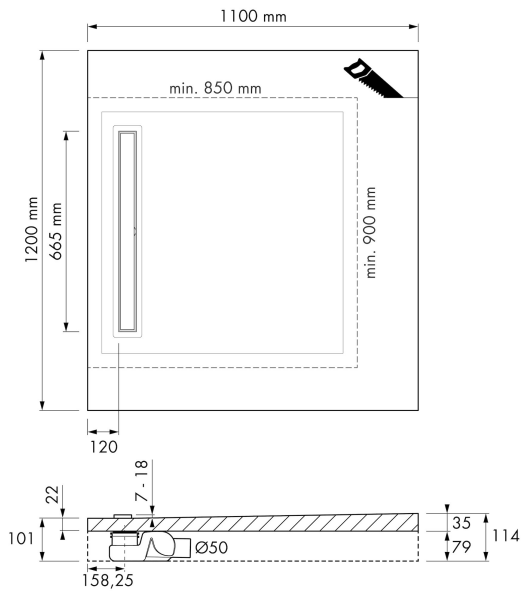
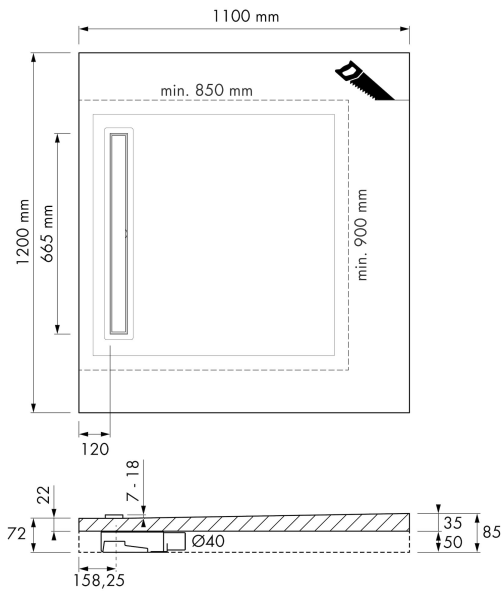
Contact

Easy Sanitary Solutions
 Nijverheidsstraat 60 | 7575 BK Oldenzaal | The Netherlands
 T. +31 (0)541 200 800 | F. +31 (0)541 200 899
 sales@esspost.com | www.easydrain.com

ARTICLE CODE

1200 x 1300 mm	SBMOB-LINE-1		

TECHNICAL DRAWINGS



Manufacturer

Easy Sanitary Solutions
 Nijverheidsstraat 60 | 7575 BK Oldenzaal | The Netherlands
 T. +31 (0)541 200 800 | F. +31 (0)541 200 899
 info@esspost.com | www.easydrain.com

Contact

Easy Sanitary Solutions
 Nijverheidsstraat 60 | 7575 BK Oldenzaal | The Netherlands
 T. +31 (0)541 200 800 | F. +31 (0)541 200 899
 sales@esspost.com | www.easydrain.com