



Easy Drain®

by ess

Modulo Design Z-2

Easy Drain Modulo Design Z-2 linear shower drain gives your bathroom its own identity. The modern and stylish Z-2 grate is installed with a subtle, widened frame on the short side. This series is standard supplied with height adjustable frame (TAF) and pre-assembled sealing membrane (WPS) for easy installation and complete water drainage.

FEATURES

- Drainage capacity - according to EN 1253
- Siphon - Easy to clean
- Supplied as - Complete set
- Tile Adjustable Frame - Height adjustable 7 - 18 mm
- Water Protection System - 10-year warranty
- Available lengths - 800 - 1200 mm



Manufacturer

Easy Sanitary Solutions
Nijverheidsstraat 60 | 7575 BK Oldenzaal | The Netherlands
T. +31 (0)541 200 800 | F. +31 (0)541 200 899
info@esspost.com | www.easydrain.com

Contact

Easy Sanitary Solutions
Nijverheidsstraat 60 | 7575 BK Oldenzaal | The Netherlands
T. +31 (0)541 200 800 | F. +31 (0)541 200 899
sales@esspost.com | www.easydrain.com

GENERAL

Serie	Modulo Design Z-2
Name	Modulo Design Z-2
Model	Rectangular shower drain
Length (mm)	800, 900, 1000, 1200
Product type	Complete
Application	New construction, Renovation
Certification	DIN 18534, ETAG-022

INSTALLATION

Substrate	Concrete / Sand Cement, Wooden floors, Lewis sheets
Floor finish	Tiles / Mosaic, Glass Mosaic, Thin tiles
Height adjustable feet	Included
Installation option	Floor, Wall
Outlet	Horizontal (Vertical outlet optional)
Connection (mm)	50 (Global) / 56 (UK)
Min. installation depth (mm) (built-in set)	87
Min. installation depth (mm) (incl. grate)	94

DRAINAGE

Max. drainage capacity entrance (l/min)	33
Max. drainage capacity wall (l/min)	41
Max. drainage capacity (l/min)	41

BUILT-IN SET

Pre-assembled sealing membrane	Included
Siphon features	Cleanable, Pivotal & adjustable, Height adjustable
Water seal height (mm)	50
Outlet	Horizontal (Vertical outlet optional)
Material siphon	Polypropylene (PP)

DESIGN

Grate finish	Brushed stainless steel
Grate pattern	Zero / Closed
Grate width (mm)	46
Grate tile insert (mm)	N.A.
Adjustable grate	No
Frame type	TAF (Tile Adjustable Frame)
TAF Frame material	Stainless steel (304)
Design frame finish	Chrome-plated stainless steel
Frame width (mm)	62
Wheelchair accessible	Yes
Extension set available	No



Manufacturer

Easy Sanitary Solutions
 Nijverheidsstraat 60 | 7575 BK Oldenzaal | The Netherlands
 T. +31 (0)541 200 800 | F. +31 (0)541 200 899
 info@esspost.com | www.easydrain.com

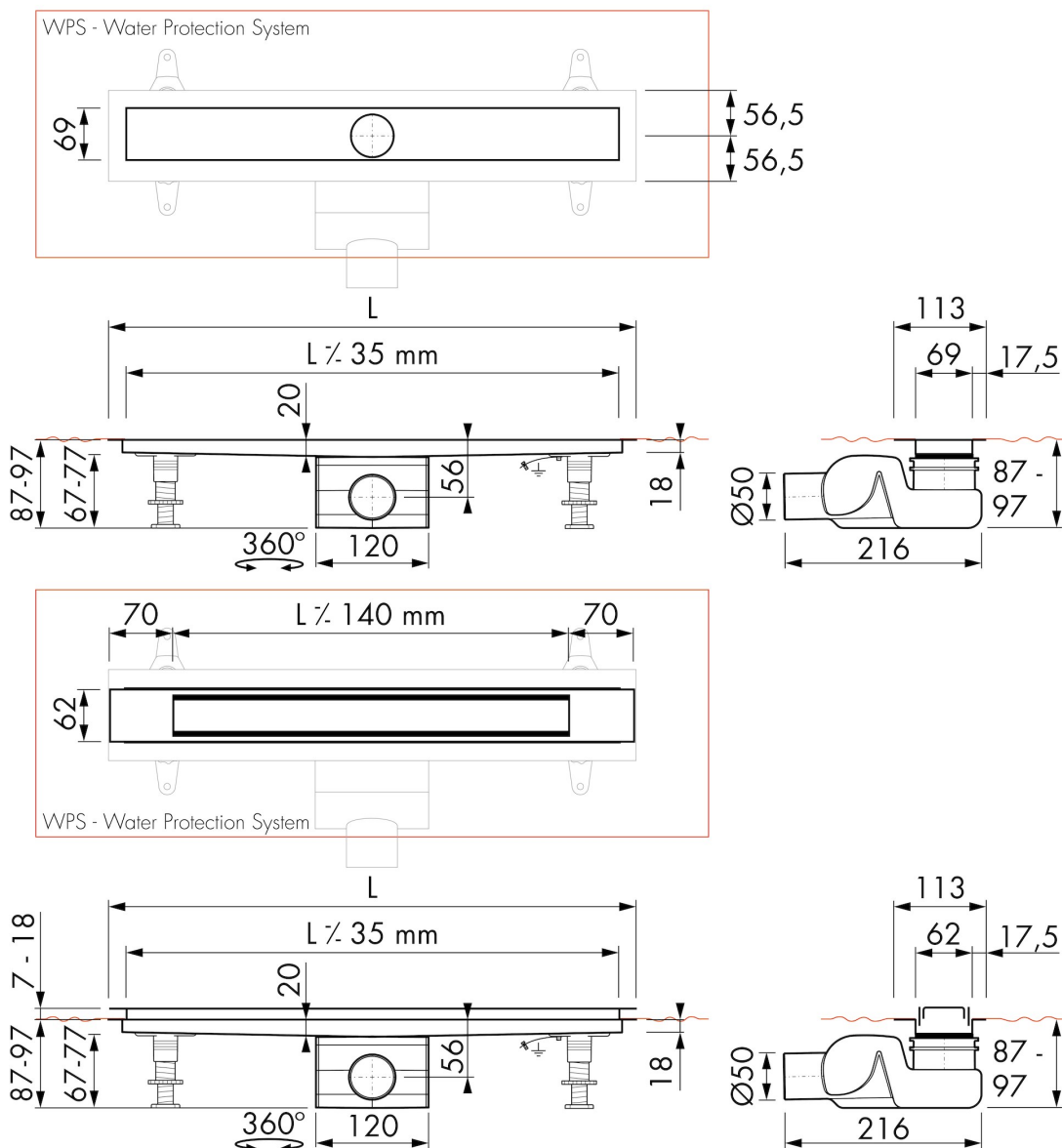
Contact

Easy Sanitary Solutions
 Nijverheidsstraat 60 | 7575 BK Oldenzaal | The Netherlands
 T. +31 (0)541 200 800 | F. +31 (0)541 200 899
 sales@esspost.com | www.easydrain.com

ARTICLE CODE

800 mm	MTAFDZ2PZM 800 / EDM2 800-50		
900 mm	MTAFDZ2PZM 900 / EDM2 900-50		
1000 mm	MTAFDZ2PZM 1000 / EDM2 1000-50		
1200 mm	MTAFDZ2PZM 1200 / EDM2 1200-50		

TECHNICAL DRAWINGS



Manufacturer

Easy Sanitary Solutions
 Nijverheidsstraat 60 | 7575 BK Oldenzaal | The Netherlands
 T. +31 (0)541 200 800 | F. +31 (0)541 200 899
 info@esspost.com | www.easydrain.com

Contact

Easy Sanitary Solutions
 Nijverheidsstraat 60 | 7575 BK Oldenzaal | The Netherlands
 T. +31 (0)541 200 800 | F. +31 (0)541 200 899
 sales@esspost.com | www.easydrain.com