

Easy Drain<sup>®</sup>  
by ess

## Modulo Design Z-2

Easy Drain Modulo Design Z-2 linear shower drain gives your bathroom its own identity. The modern and stylish Z-2 grate is installed with a subtle, widened frame on the short side. This series is standard supplied with height adjustable frame (TAF) and pre-assembled sealing membrane (WPS) for easy installation and complete water drainage.

### FEATURES

- Drainage capacity - according to EN 1253
- Siphon - Easy to clean
- Supplied as - Complete set
- Tile Adjustable Frame - Height adjustable 7 - 18 mm
- Water Protection System - 10-year warranty
- Available lengths - 800 - 1200 mm



#### Manufacturer

Easy Sanitary Solutions  
Nijverheidsstraat 60 | 7575 BK Oldenzaal | The Netherlands  
T. +31 (0)541 200 800 | F. +31 (0)541 200 899  
info@esspost.com | www.easydrain.com

#### Contact

Easy Sanitary Solutions  
Nijverheidsstraat 60 | 7575 BK Oldenzaal | The Netherlands  
T. +31 (0)541 200 800 | F. +31 (0)541 200 899  
sales@esspost.com | www.easydrain.com

## GENERAL

Serie	Modulo Design Z-2
Name	Modulo Design Z-2
Model	Rectangular shower drain
Length (mm)	800, 900, 1000, 1200
Product type	Complete
Application	New construction, Renovation
Certification	DIN 18534, ETAG-022

## INSTALLATION

Substrate	Concrete / Sand Cement, Wooden floors, Lewis sheets
Floor finish	Tiles / Mosaic, Glass Mosaic, Thin tiles
Height adjustable feet	Included
Installation option	Floor, Wall
Outlet	Horizontal (Vertical outlet optional)
Connection (mm)	50 (Global) / 56 (UK)
Min. installation depth (mm) (built-in set)	87
Min. installation depth (mm) (incl. grate)	94

## DRAINAGE

Max. drainage capacity entrance (l/min)	33
Max. drainage capacity wall (l/min)	41
Max. drainage capacity (l/min)	41

## BUILT-IN SET

Pre-assembled sealing membrane	Included
Siphon features	Cleanable, Pivotal & adjustable, Height adjustable
Water seal height (mm)	50
Outlet	Horizontal (Vertical outlet optional)
Material siphon	Polypropylene (PP)

## DESIGN

Grate finish	Tile
Grate pattern	Zero / Closed
Grate width (mm)	46
Grate tile insert (mm)	12
Adjustable grate	No
Frame type	TAF (Tile Adjustable Frame)
TAF Frame material	Stainless steel (304)
Design frame finish	Brushed stainless steel
Frame width (mm)	62
Wheelchair accessible	Yes
Extension set available	No



### Manufacturer

Easy Sanitary Solutions  
 Nijverheidsstraat 60 | 7575 BK Oldenzaal | The Netherlands  
 T. +31 (0)541 200 800 | F. +31 (0)541 200 899  
 info@esspost.com | www.easydrain.com

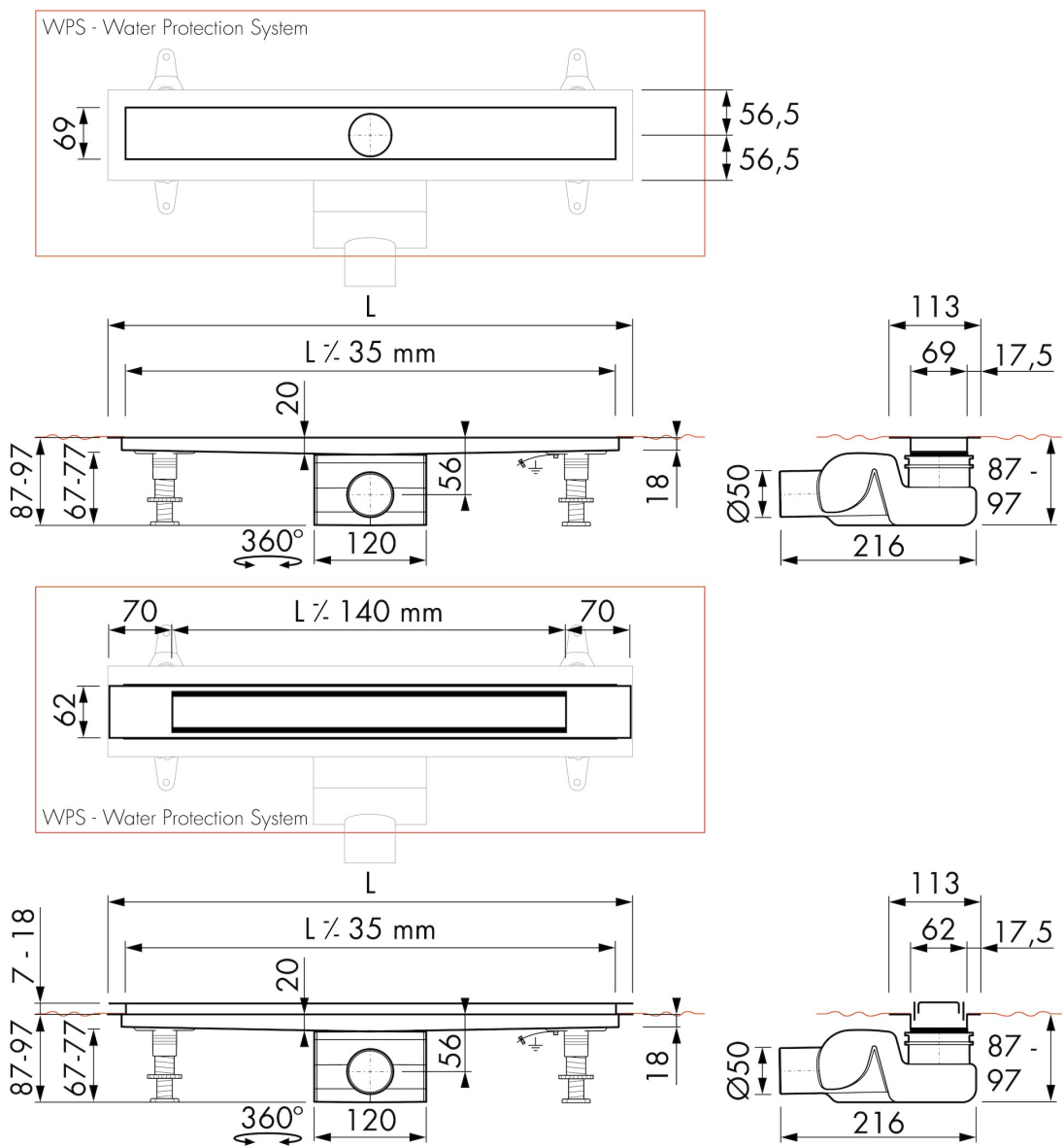
### Contact

Easy Sanitary Solutions  
 Nijverheidsstraat 60 | 7575 BK Oldenzaal | The Netherlands  
 T. +31 (0)541 200 800 | F. +31 (0)541 200 899  
 sales@esspost.com | www.easydrain.com

## ARTICLE CODE

800 mm	MTAFDZ2MT 800 / EDM2 800-50		
900 mm	MTAFDZ2MT 900 / EDM2 900-50		
1000 mm	MTAFDZ2MT 1000 / EDM2 1000-50		
1200 mm	MTAFDZ2MT 1200 / EDM2 1200-50		

## TECHNICAL DRAWINGS



**Manufacturer**  
 Easy Sanitary Solutions  
 Nijverheidsstraat 60 | 7575 BK Oldenzaal | The Netherlands  
 T. +31 (0)541 200 800 | F. +31 (0)541 200 899  
 info@esspost.com | www.easydrain.com

**Contact**  
 Easy Sanitary Solutions  
 Nijverheidsstraat 60 | 7575 BK Oldenzaal | The Netherlands  
 T. +31 (0)541 200 800 | F. +31 (0)541 200 899  
 sales@esspost.com | www.easydrain.com