



# Easy Drain<sup>®</sup>

by ess

## Modulo TAF

Easy Drain Modulo TAF linear shower drain, the perfect solutions for all your bathroom wishes. The subtle stainless frame provides an elegant look and fits seamlessly into your bathroom floor. Furthermore, the revolutionary TAF-technology and Water Protection System guarantee easy installation and a waterproof finish.

### ADVANTAGES

- Lowest drain rough - 3/4"
- Available lengths - 19 3/4" - 70 7/8"
- Water Protection System - 10-year total warranty
- Tile Adjustable Frame - Height adjustable 1/4" - 3/4"
- Certified - c-UPC
- Supplied as - Complete set



#### Sales Office USA

North America - Easy Sanitary Solutions  
490 Bluegrass Lakes Pkwy D, Alpharetta, GA 30004  
T. +1 (800) 334 - 0455  
sales-usa@esspost.com | www.easydrainusa.com

#### Manufacturer

Easy Sanitary Solutions  
Warschauerstraße 1 | 48455 Bad Bentheim | Germany  
T. +49 (0) 59 24 29 91 568 | F. +49 (0) 59 24 29 91 537  
info@esspost.com | www.easydrain.de

## GENERAL

Series	Modulo TAF USA
Name	Modulo TAF
Model	Linear shower drain
Rough dimensions (inch)	19 3/4, 23 5/8, 27 5/8, 31 1/2, 35 1/2, 39 3/8, 43 3/8, 47 1/4, 51 1/8, 55 1/8, 59 1/8, 63, 66 7/8, 70 7/8, 78 3/4
Product type	Complete
Application	New construction, Renovation
Certification	cUPC

## INSTALLATION

Substrate	Concrete / Sand Cement, Lewis sheets, Wooden floors
Floor finish	Tiles / Mosaic, Natural stone, Glass Mosaic, Thin tiles
Height adjustable feet	Included
Installation option	Floor
Outlet	Vertical
Connection (inch)	2

## DESIGN

Trim finish	Brushed stainless steel / Tile
Trim pattern	Zero / Closed
Trim width (inch)	1 7/8
Tile insert trim (inch)	1 3/4
Adjustable trim	No
Frame type	TAF (Tile Adjustable Frame)
TAF Frame material	Stainless steel (304)
Design frame finish	Brushed stainless steel
Frame width (inch)	2 1/2
Wheelchair accessible	Yes
Extension set available	Yes



### Sales Office USA

North America - Easy Sanitary Solutions  
 490 Bluegrass Lakes Pkwy D, Alpharetta, GA 30004  
 T. +1 (800) 334 - 0455  
 sales-usa@esspost.com | www.easydrainusa.com

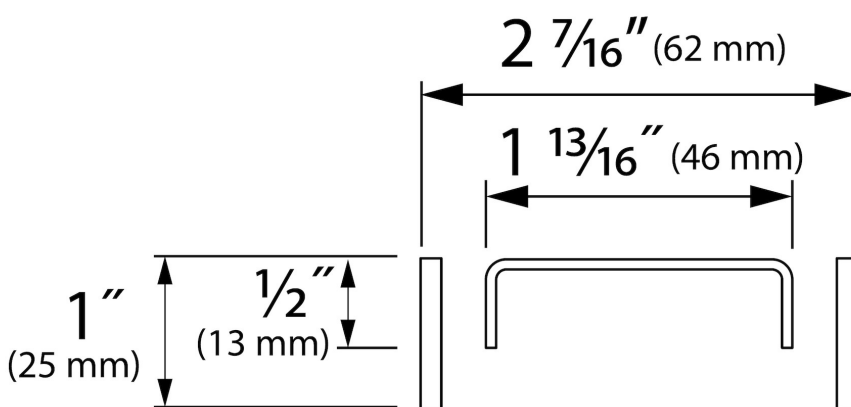
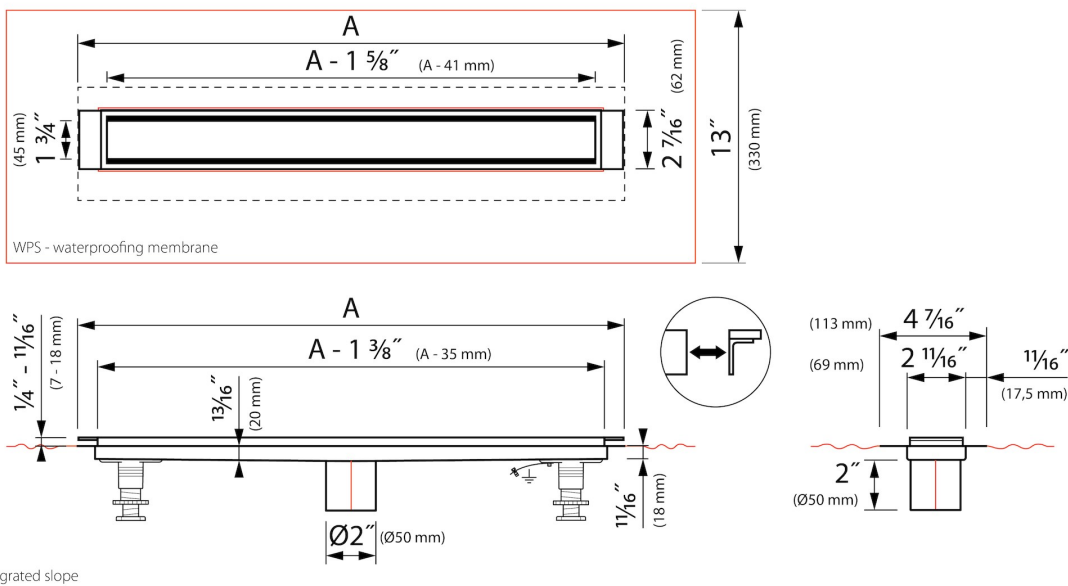
### Manufacturer

Easy Sanitary Solutions  
 Warschauerstraße 1 | 48455 Bad Bentheim | Germany  
 T. +49 (0) 59 24 29 91 568 | F. +49 (0) 59 24 29 91 537  
 info@esspost.com | www.easydrain.de

## ARTICLE CODE

19 3/4	MLZT 500 / EDM4 500	51 1/8	MLZT 1300 / EDM4 1300
23 5/8	MLZT 600 / EDM4 600	55 1/8	MLZT 1400 / EDM4 1400
27 5/8	MLZT 700 / EDM4 700	59 1/8	MLZT 1500 / EDM4 1500
31 1/2	MLZT 800 / EDM4 800	63	MLZT 1600 / EDM4 1600
35 1/2	MLZT 900 / EDM4 900	66 7/8	MLZT 1700 / EDM4 1700
39 3/8	MLZT 1000 / EDM4 1000	70 7/8	MLZT 1800 / EDM4 1800
43 3/8	MLZT 1100 / EDM4 1100	78 3/4	MLZT 2000 / EDM4 2000
47 1/4	MLZT 1200 / EDM4 1200		

## TECHNICAL DRAWINGS



**Sales Office USA**

North America - Easy Sanitary Solutions  
 490 Bluegrass Lakes Pkwy D, Alpharetta, GA 30004  
 T. +1 (800) 334 - 0455  
 sales-usa@esspost.com | www.easydrainusa.com

**Manufacturer**

Easy Sanitary Solutions  
 Warschauerstraße 1 | 48455 Bad Bentheim | Germany  
 T. +49 (0) 59 24 29 91 568 | F. +49 (0) 59 24 29 91 537  
 info@esspost.com | www.easydrain.de