



# Easy Drain<sup>®</sup>

by ess

## Modulo Basic

Easy Drain Modulo Basic linear shower drain, the foundation for every bathroom, offers a wide range of modern and stylish design grates. The low overall depth and adjustable drainage syphon guarantee that the Easy Drain Modulo meets your requirements in any conceivable bathroom.

## FEATURES

- Available lengths - 500 - 1200 mm
- Outlet - Horizontal outlet
- Water Protection System - 10-year warranty
- Siphon - Easy to clean
- Certified - EN 1253
- Supplied as - Complete set



### Manufacturer

Easy Sanitary Solutions  
Nijverheidsstraat 60 | 7575 BK Oldenzaal | The Netherlands  
T. +31 (0)541 200 800 | F. +31 (0)541 200 899  
info@esspost.com | www.easydrain.com

### Contact

Easy Sanitary Solutions  
Nijverheidsstraat 60 | 7575 BK Oldenzaal | The Netherlands  
T. +31 (0)541 200 800 | F. +31 (0)541 200 899  
sales@esspost.com | www.easydrain.com

Page 1 / 3

## GENERAL

Serie	Modulo Basic
Name	Modulo Basic
Model	Rectangular shower drain
Length (mm)	500, 600, 700, 800, 900, 1000, 1100, 1200
Product type	Complete
Application	New construction, Renovation
Certification	EN 1253, ETAG-022, DIN 18534

## INSTALLATION

Substrate	Concrete / Sand Cement, Wooden floors, Lewis sheets
Floor finish	Tiles / Mosaic, Glass Mosaic, Thin tiles
Height adjustable feet	Included
Installation option	Floor, Wall
Outlet	Horizontal (Vertical outlet optional)
Connection (mm)	50 (Global) / 56 (UK)
Min. installation depth (mm) (built-in set)	87
Min. installation depth (mm) (incl. grate)	94

## DRAINAGE

Max. drainage capacity entrance (l/min)	33
Max. drainage capacity wall (l/min)	41
Max. drainage capacity (l/min)	41

## BUILT-IN SET

Pre-assembled sealing membrane	Included
Siphon features	Cleanable, Pivotal & adjustable, Height adjustable
Water seal height (mm)	50
Outlet	Horizontal (Vertical outlet optional)
Material siphon	Polypropylene (PP)

## DESIGN

Grate finish	Polished stainless steel
Grate pattern	Zero / Closed
Grate width (mm)	59
Grate tile insert (mm)	N.A.
Adjustable grate	Yes
Frame type	N.A.
TAF Frame material	N.A.
Design frame finish	N.A.
Frame width (mm)	N.A.
Wheelchair accessible	Yes
Extension set available	No



### Manufacturer

Easy Sanitary Solutions  
 Nijverheidsstraat 60 | 7575 BK Oldenzaal | The Netherlands  
 T. +31 (0)541 200 800 | F. +31 (0)541 200 899  
 info@esspost.com | www.easydrain.com

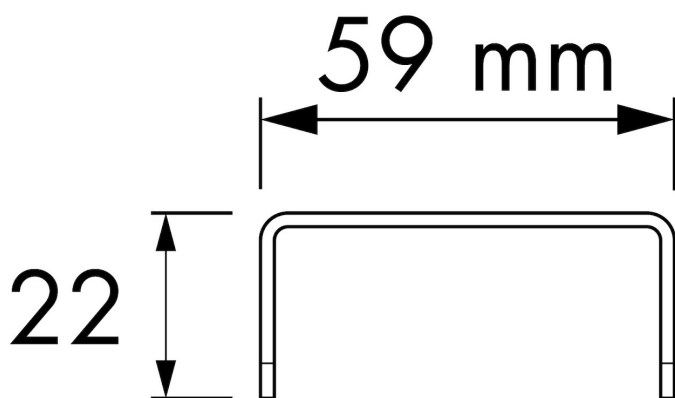
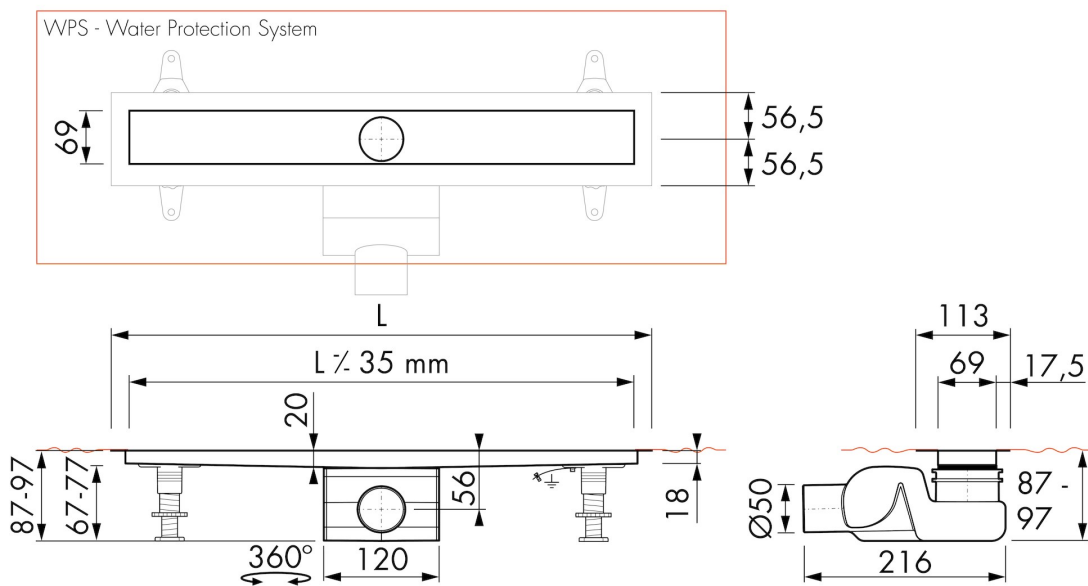
### Contact

Easy Sanitary Solutions  
 Nijverheidsstraat 60 | 7575 BK Oldenzaal | The Netherlands  
 T. +31 (0)541 200 800 | F. +31 (0)541 200 899  
 sales@esspost.com | www.easydrain.com

## ARTICLE CODE

500 mm	MBZP 500 / EDM2 500-50		
600 mm	MBZP 600 / EDM2 600-50		
700 mm	MBZP 700 / EDM2 700-50		
800 mm	MBZP 800 / EDM2 800-50		
900 mm	MBZP 900 / EDM2 900-50		
1000 mm	MBZP 1000 / EDM2 1000-50		
1100 mm	MBZP 1100 / EDM2 1100-50		
1200 mm	MBZP 1200 / EDM2 1200-50		

## TECHNICAL DRAWINGS



**Manufacturer**

Easy Sanitary Solutions  
 Nijverheidsstraat 60 | 7575 BK Oldenzaal | The Netherlands  
 T. +31 (0)541 200 800 | F. +31 (0)541 200 899  
 info@esspost.com | www.easydrain.com

**Contact**

Easy Sanitary Solutions  
 Nijverheidsstraat 60 | 7575 BK Oldenzaal | The Netherlands  
 T. +31 (0)541 200 800 | F. +31 (0)541 200 899  
 sales@esspost.com | www.easydrain.com