

Easy Drain[®]

by ess

Waterstop

Easy Drain Waterstop linear shower drain is supplied as complete set, including: grate, trap body, drainage Syphon and pre-assembled sealing membrane (200 x 150 cm) with WPS technology (Water Protection System). The sealing membrane can be sealed with flexible tile adhesive for guaranteed watertightness and complete protection throughout the shower area. Waterstop shower drain can be installed free in the floor or directly at the wall and is certified according to ETAG 022 and CE.

FEATURES

- Available lengths - 700 - 1200 mm
- Water Protection System - 10-year warranty
- Drainage capacity - according to EN 1253
- Siphon - Easy to clean
- Supplied as - Complete set



Manufacturer

Easy Sanitary Solutions
Nijverheidsstraat 60 | 7575 BK Oldenzaal | The Netherlands
T. +31 (0)541 200 800 | F. +31 (0)541 200 899
info@esspost.com | www.easydrain.com

Contact

Easy Sanitary Solutions
Nijverheidsstraat 60 | 7575 BK Oldenzaal | The Netherlands
T. +31 (0)541 200 800 | F. +31 (0)541 200 899
sales@esspost.com | www.easydrain.com

GENERAL

| | |
|---------------|------------------------------|
| Serie | Waterstop |
| Name | Waterstop |
| Model | Rectangular shower drain |
| Length (mm) | 700, 800, 900, 1000, 1200 |
| Product type | Complete |
| Application | New construction, Renovation |
| Certification | EN1253, ETAG-022, DIN 18534 |

INSTALLATION

| | |
|---------------------------------------------|-----------------------------------------------------|
| Substrate | Concrete / Sand Cement, Wooden floors, Lewis sheets |
| Floor finish | Tiles / Mosaic, Glass Mosaic, Thin tiles |
| Height adjustable feet | Excluded |
| Installation option | Floor |
| Outlet | Horizontal (Vertical outlet optional) |
| Connection (mm) | 50 (Global) / 56 (UK) |
| Min. installation depth (mm) (built-in set) | 79 |
| Min. installation depth (mm) (incl. grate) | 91 |

DRAINAGE

| | |
|-----------------------------------------|------|
| Max. drainage capacity entrance (l/min) | 30 |
| Max. drainage capacity wall (l/min) | N.A. |
| Max. drainage capacity (l/min) | 30 |

BUILT-IN SET

| | |
|--------------------------------|----------------------------------------------------|
| Pre-assembled sealing membrane | Included |
| Siphon features | Cleanable, Pivotal & adjustable, Height adjustable |
| Water seal height (mm) | 50 |
| Outlet | Horizontal (Vertical outlet optional) |
| Material siphon | ABS |

DESIGN

| | |
|-------------------------|-------------------------|
| Grate finish | Brushed stainless steel |
| Grate pattern | Zero / Closed |
| Grate width (mm) | 65 |
| Grate tile insert (mm) | N.A. |
| Adjustable grate | Yes |
| Frame type | N.A. |
| TAF Frame material | N.A. |
| Design frame finish | N.A. |
| Frame width (mm) | N.A. |
| Wheelchair accessible | Yes |
| Extension set available | No |



Manufacturer

Easy Sanitary Solutions
 Nijverheidsstraat 60 | 7575 BK Oldenzaal | The Netherlands
 T. +31 (0)541 200 800 | F. +31 (0)541 200 899
 info@esspost.com | www.easydrain.com

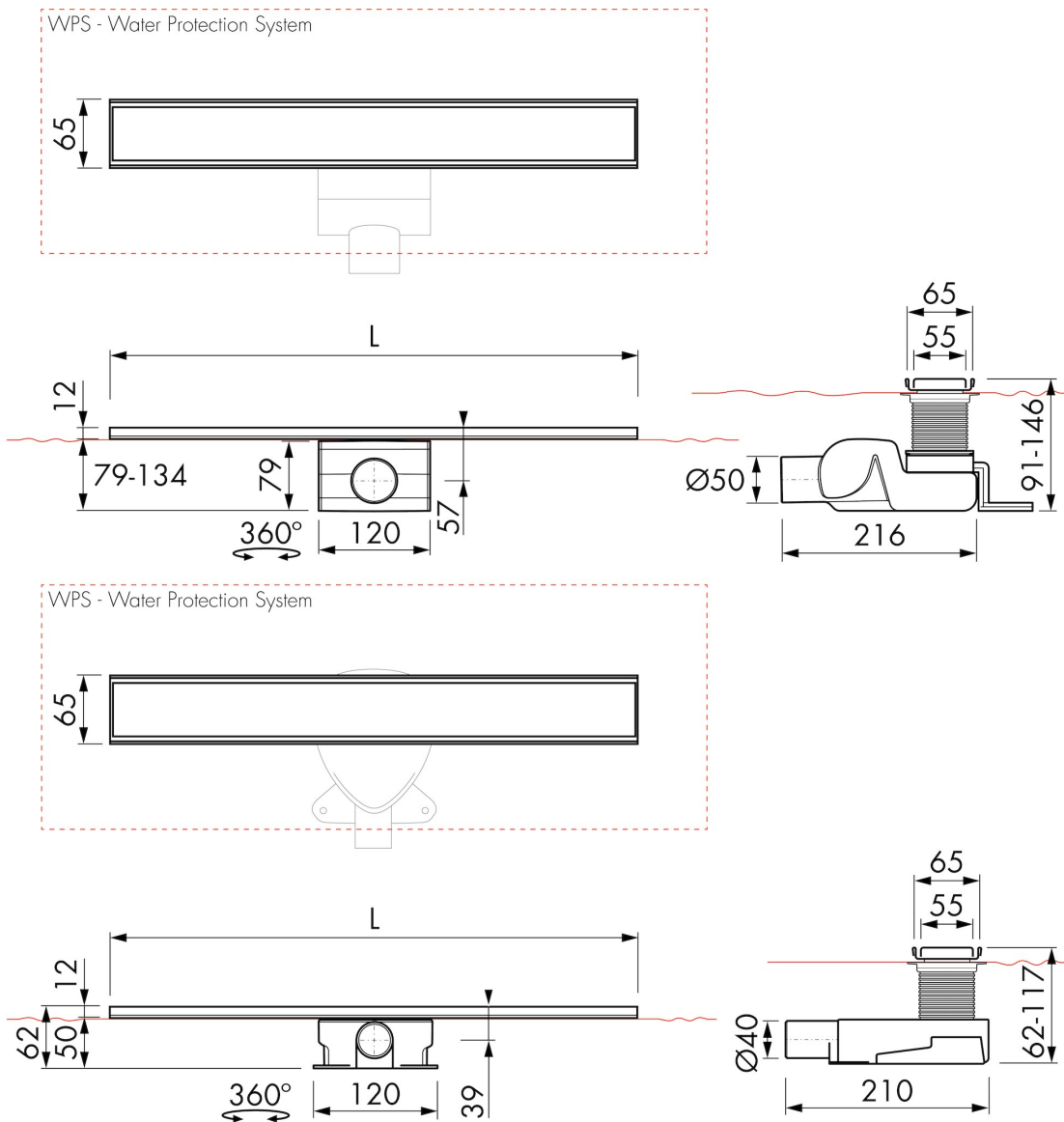
Contact

Easy Sanitary Solutions
 Nijverheidsstraat 60 | 7575 BK Oldenzaal | The Netherlands
 T. +31 (0)541 200 800 | F. +31 (0)541 200 899
 sales@esspost.com | www.easydrain.com

ARTICLE CODE

| | | | |
|---------|-------------|--|--|
| 700 mm | ED-WS-Z-70 | | |
| 800 mm | ED-WS-Z-80 | | |
| 900 mm | ED-WS-Z-90 | | |
| 1000 mm | ED-WS-Z-100 | | |
| 1200 mm | ED-WS-Z-120 | | |
| | | | |

TECHNICAL DRAWINGS



Manufacturer

Easy Sanitary Solutions
 Nijverheidsstraat 60 | 7575 BK Oldenzaal | The Netherlands
 T. +31 (0)541 200 800 | F. +31 (0)541 200 899
 info@esspost.com | www.easydrain.com

Contact

Easy Sanitary Solutions
 Nijverheidsstraat 60 | 7575 BK Oldenzaal | The Netherlands
 T. +31 (0)541 200 800 | F. +31 (0)541 200 899
 sales@esspost.com | www.easydrain.com