

Easy Drain[®]
by ess

Modulo Stone Flex | M1-30

Easy Drain Modulo Stone Flex is a unique custom length shower drain that is developed for natural stone flooring of any thickness. This linear shower drain is installed from wall-to-wall and has an invisible appearance thanks to its frameless design.

FEATURES

- Available lengths - 500 - 2000 mm
- Water Protection System - 10-year warranty
- Certified - EN 1253
- Grate - Height adjustable grate
- Siphon - Easy to clean
- Supplied as - Complete set
- Custom Length - Can be shortened on site



Manufacturer

Easy Sanitary Solutions
Nijverheidsstraat 60 | 7575 BK Oldenzaal | The Netherlands
T. +31 (0)541 200 800 | F. +31 (0)541 200 899
info@esspost.com | www.easydrain.com

Contact

Easy Sanitary Solutions
Nijverheidsstraat 60 | 7575 BK Oldenzaal | The Netherlands
T. +31 (0)541 200 800 | F. +31 (0)541 200 899
sales@esspost.com | www.easydrain.com

Page 1 / 3

GENERAL

| | |
|---------------|---|
| Serie | Modulo Stone |
| Name | Modulo Stone Flex M1-30 |
| Model | Rectangular shower drain |
| Length (mm) | 500, 600, 700, 800, 900, 1000, 1100, 1200, 1300, 1400, 1500, 1600, 1700, 1800, 1900, 2000 |
| Product type | Complete |
| Application | Renovation, New construction |
| Certification | DIN 18534, ETAG-022, EN 1253, cUPC |

INSTALLATION

| | |
|---|---|
| Substrate | Lewis sheets, Concrete / Sand Cement, Wooden floors |
| Floor finish | Tiles / Mosaic, Natural stone, Thin tiles |
| Height adjustable feet | Included |
| Installation option | Floor |
| Outlet | Horizontal |
| Connection (mm) | 40 |
| Min. installation depth (mm) (built-in set) | 63 |
| Min. installation depth (mm) (incl. grate) | 63 |

DRAINAGE

| | |
|---|----|
| Max. drainage capacity entrance (l/min) | 25 |
| Max. drainage capacity wall (l/min) | 32 |
| Max. drainage capacity (l/min) | 32 |

BUILT-IN SET

| | |
|--------------------------------|--------------------|
| Pre-assembled sealing membrane | Included |
| Siphon features | Cleanable |
| Water seal height (mm) | 30 |
| Outlet | Horizontal |
| Material siphon | Polypropylene (PP) |

DESIGN

| | |
|-------------------------|---------------|
| Grate finish | Tile |
| Grate pattern | N.A. |
| Grate width (mm) | 58 |
| Grate tile insert (mm) | Any thickness |
| Adjustable grate | Yes |
| Frame type | N.A. |
| TAF Frame material | N.A. |
| Design frame finish | N.A. |
| Frame width (mm) | N.A. |
| Wheelchair accessible | Yes |
| Extension set available | No |



Manufacturer

Easy Sanitary Solutions
 Nijverheidsstraat 60 | 7575 BK Oldenzaal | The Netherlands
 T. +31 (0)541 200 800 | F. +31 (0)541 200 899
 info@esspost.com | www.easydrain.com

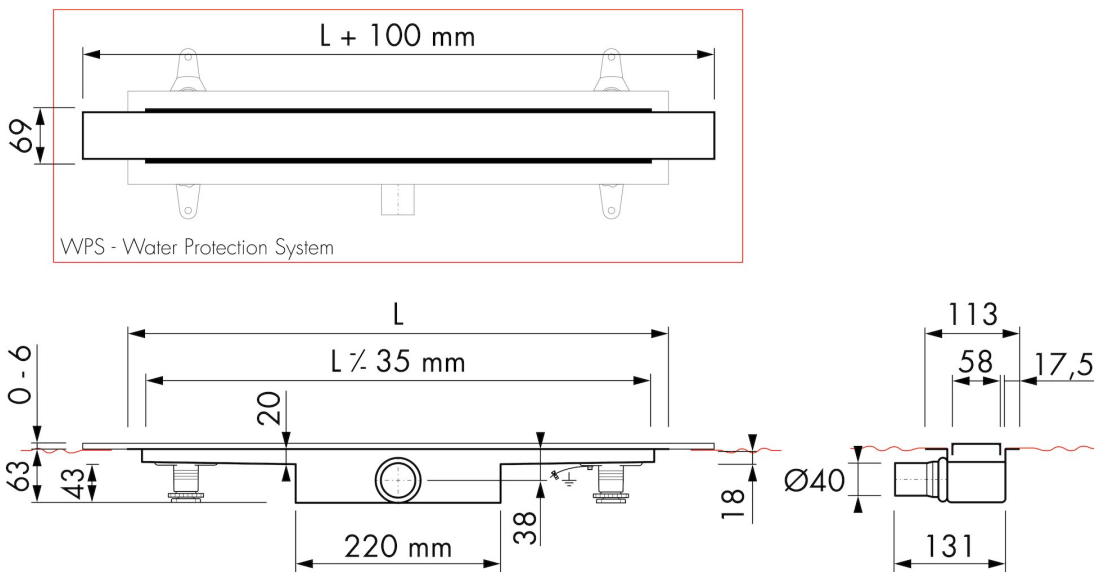
Contact

Easy Sanitary Solutions
 Nijverheidsstraat 60 | 7575 BK Oldenzaal | The Netherlands
 T. +31 (0)541 200 800 | F. +31 (0)541 200 899
 sales@esspost.com | www.easydrain.com

ARTICLE CODE

| | | | |
|---------|-------------------------------|---------|-------------------------------|
| 500 mm | MB-NAT-FL-500 / EDM1 500-30 | 1300 mm | MB-NAT-FL-1300 / EDM1 1300-30 |
| 600 mm | MB-NAT-FL-600 / EDM1 600-30 | 1400 mm | MB-NAT-FL-1400 / EDM1 1400-30 |
| 700 mm | MB-NAT-FL-700 / EDM1 700-30 | 1500 mm | MB-NAT-FL-1500 / EDM1 1500-30 |
| 800 mm | MB-NAT-FL-800 / EDM1 800-30 | 1600 mm | MB-NAT-FL-1600 / EDM1 1600-30 |
| 900 mm | MB-NAT-FL-900 / EDM1 900-30 | 1700 mm | MB-NAT-FL-1700 / EDM1 1700-30 |
| 1000 mm | MB-NAT-FL-1000 / EDM1 1000-30 | 1800 mm | MB-NAT-FL-1800 / EDM1 1800-30 |
| 1100 mm | MB-NAT-FL-1100 / EDM1 1100-30 | 1900 mm | MB-NAT-FL-1900 / EDM1 1900-30 |
| 1200 mm | MB-NAT-FL-1200 / EDM1 1200-30 | 2000 mm | MB-NAT-FL-2000 / EDM1 2000-30 |

TECHNICAL DRAWINGS



Manufacturer

Easy Sanitary Solutions
 Nijverheidsstraat 60 | 7575 BK Oldenzaal | The Netherlands
 T. +31 (0)541 200 800 | F. +31 (0)541 200 899
 info@esspost.com | www.easydrain.com

Contact

Easy Sanitary Solutions
 Nijverheidsstraat 60 | 7575 BK Oldenzaal | The Netherlands
 T. +31 (0)541 200 800 | F. +31 (0)541 200 899
 sales@esspost.com | www.easydrain.com