



Easy Drain®
by ess

Modulo Design Z-3

Easy Drain Modulo Design Z-3 gives your bathroom a distinct touch. The modern and timeless Z-3 has a 3-sided stainless frame with a slim front profile. This series is standard installed with height adjustable frame (TAF) and pre-assembled sealing membrane (WPS) for high-quality finish and complete water drainage.

FEATURES

- Siphon - Removable and easy to clean
- Supplied as - Complete set
- Tile Adjustable Frame - Height adjustable 7 - 18 mm
- Water Protection System - 10-year warranty
- Available lengths - 800 - 1200 mm



Manufacturer

Easy Sanitary Solutions
Nijverheidsstraat 60 | 7575 BK Oldenzaal | The Netherlands
T. +31 (0)541 200 800 | F. +31 (0)541 200 899
info@esspost.com | www.easydrain.com

Contact

Easy Sanitary Solutions
Nijverheidsstraat 60 | 7575 BK Oldenzaal | The Netherlands
T. +31 (0)541 200 800 | F. +31 (0)541 200 899
sales@esspost.com | www.easydrain.com

GENERAL

| | |
|---------------|------------------------------|
| Serie | Modulo Design Z-3 |
| Name | Modulo Design Z-3 |
| Model | Rectangular shower drain |
| Length (mm) | 800, 900, 1000, 1200 |
| Product type | Complete |
| Application | New construction, Renovation |
| Certification | DIN 18534 |

INSTALLATION

| | |
|---|---|
| Substrate | Concrete / Sand Cement, Wooden floors, Lewis sheets |
| Floor finish | Tiles / Mosaic, Glass Mosaic, Thin tiles |
| Height adjustable feet | Included |
| Installation option | Floor, Wall |
| Outlet | Horizontal |
| Connection (mm) | 40 |
| Min. installation depth (mm) (built-in set) | 63 |
| Min. installation depth (mm) (incl. grate) | 70 |

DRAINAGE

| | |
|---|----|
| Max. drainage capacity entrance (l/min) | 25 |
| Max. drainage capacity wall (l/min) | 32 |
| Max. drainage capacity (l/min) | 32 |

BUILT-IN SET

| | |
|--------------------------------|--------------------|
| Pre-assembled sealing membrane | Included |
| Siphon features | Cleanable |
| Water seal height (mm) | 30 |
| Outlet | Horizontal |
| Material siphon | Polypropylene (PP) |

DESIGN

| | |
|-------------------------|-------------------------------|
| Grate finish | Chrome-plated stainless steel |
| Grate pattern | Zero / Closed |
| Grate width (mm) | 46 |
| Grate tile insert (mm) | N.A. |
| Adjustable grate | No |
| Frame type | TAF (Tile Adjustable Frame) |
| TAF Frame material | Stainless steel (304) |
| Design frame finish | Chrome-plated stainless steel |
| Frame width (mm) | 81 |
| Wheelchair accessible | Yes |
| Extension set available | No |



Manufacturer

Easy Sanitary Solutions
 Nijverheidsstraat 60 | 7575 BK Oldenzaal | The Netherlands
 T. +31 (0)541 200 800 | F. +31 (0)541 200 899
 info@esspost.com | www.easydrain.com

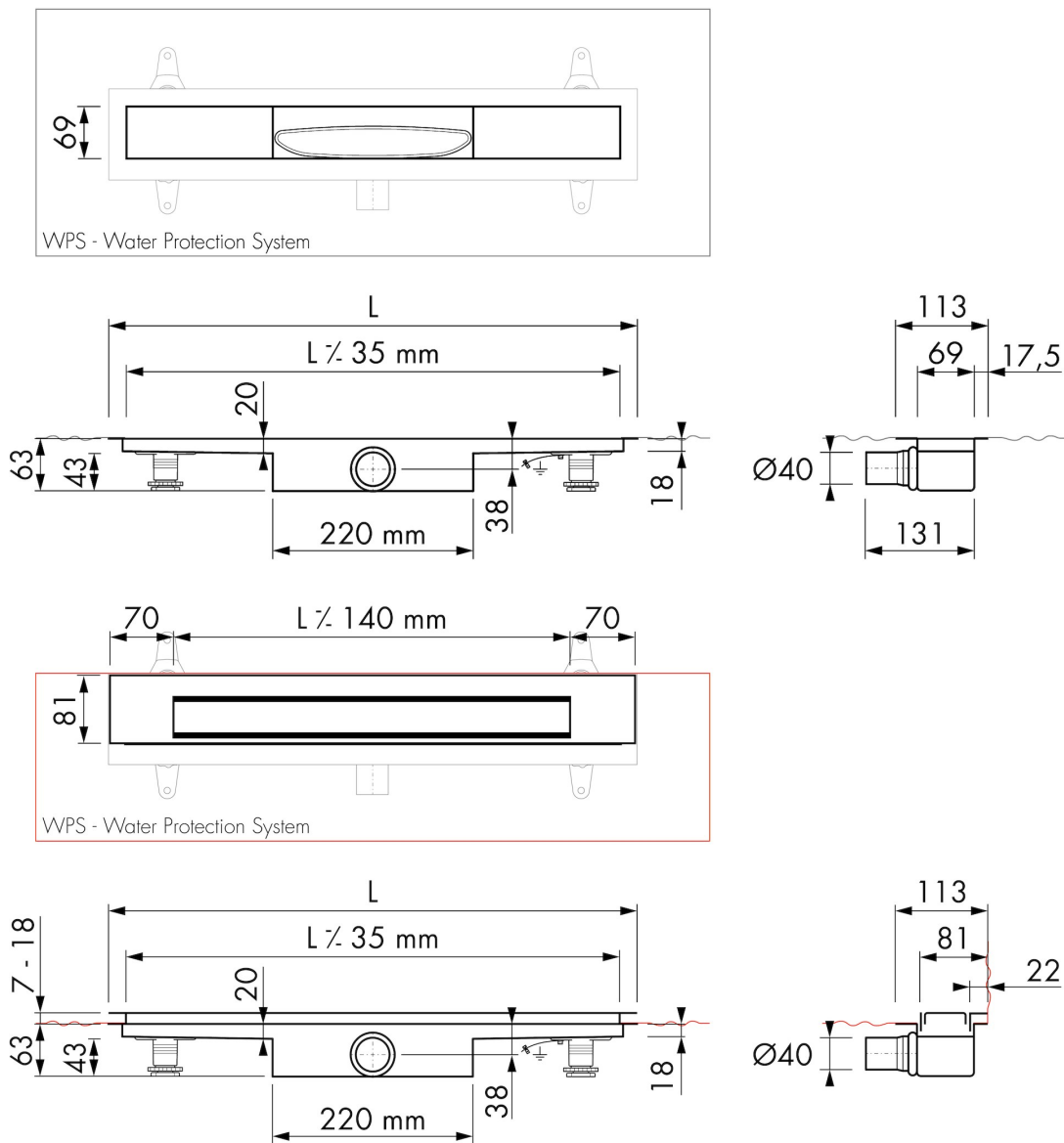
Contact

Easy Sanitary Solutions
 Nijverheidsstraat 60 | 7575 BK Oldenzaal | The Netherlands
 T. +31 (0)541 200 800 | F. +31 (0)541 200 899
 sales@esspost.com | www.easydrain.com

ARTICLE CODE

| | | | |
|---------|--------------------------------|--|--|
| 800 mm | MTAFDZ3PZP 800 / EDM1 800-30 | | |
| 900 mm | MTAFDZ3PZP 900 / EDM1 900-30 | | |
| 1000 mm | MTAFDZ3PZP 1000 / EDM1 1000-30 | | |
| 1200 mm | MTAFDZ3PZP 1200 / EDM1 1200-30 | | |
| | | | |
| | | | |

TECHNICAL DRAWINGS



Manufacturer

Easy Sanitary Solutions
 Nijverheidsstraat 60 | 7575 BK Oldenzaal | The Netherlands
 T. +31 (0)541 200 800 | F. +31 (0)541 200 899
 info@esspost.com | www.easydrain.com

Contact

Easy Sanitary Solutions
 Nijverheidsstraat 60 | 7575 BK Oldenzaal | The Netherlands
 T. +31 (0)541 200 800 | F. +31 (0)541 200 899
 sales@esspost.com | www.easydrain.com