



# Easy Drain<sup>®</sup>

by ess

## Xs Z-1

Easy Drain Xs, the world's smallest design linear shower drain, is equipped with the patented TAF-system and Water Protections System, so we can guarantee a 100% water proof finish. The award winning Xs design set Z-1 is installed with a subtle small frame on all sides and offers very high water capacity.

## FEATURES

- Available lengths - 500 - 2000 mm
- Water Protection System - 10-year warranty
- Tile Adjustable Frame - Height adjustable 5 - 25 mm
- Drainage capacity - according to EN 1253
- Siphon - Easy to clean
- Supplied as - Complete set



### Manufacturer

Easy Sanitary Solutions  
Nijverheidsstraat 60 | 7575 BK Oldenzaal | The Netherlands  
T. +31 (0)541 200 800 | F. +31 (0)541 200 899  
info@esspost.com | www.easydrain.com

### Contact

Easy Sanitary Solutions  
Nijverheidsstraat 60 | 7575 BK Oldenzaal | The Netherlands  
T. +31 (0)541 200 800 | F. +31 (0)541 200 899  
sales@esspost.com | www.easydrain.com

## GENERAL

Serie	Xs Z-1
Name	Xs Z-1
Model	Rectangular shower drain
Length (mm)	500, 600, 700, 900, 1000, 1100, 1200
Product type	Complete
Application	New construction, Renovation
Certification	DIN 18534, ETAG-022

## INSTALLATION

Substrate	Concrete / Sand Cement, Wooden floors, Lewis sheets
Floor finish	Natural stone, Tiles / Mosaic, Glass Mosaic, Thin tiles
Height adjustable feet	Included
Installation option	Floor
Outlet	Horizontal (Vertical outlet optional)
Connection (mm)	50 (Global) / 56 (UK)
Min. installation depth (mm) (built-in set)	90
Min. installation depth (mm) (incl. grate)	95

## DRAINAGE

Max. drainage capacity entrance (l/min)	33
Max. drainage capacity wall (l/min)	41
Max. drainage capacity (l/min)	41

## BUILT-IN SET

Pre-assembled sealing membrane	Included
Siphon features	Cleanable, Pivotal & adjustable, Height adjustable
Water seal height (mm)	50
Outlet	Horizontal (Vertical outlet optional)
Material siphon	Polypropylene (PP)

## DESIGN

Grate finish	Brushed stainless steel
Grate pattern	Zero / Closed
Grate width (mm)	20
Grate tile insert (mm)	N.A.
Adjustable grate	No
Frame type	TAF (Tile Adjustable Frame)
TAF Frame material	Stainless steel (304)
Design frame finish	N.A.
Frame width (mm)	36
Wheelchair accessible	Yes
Extension set available	No



### Manufacturer

Easy Sanitary Solutions  
 Nijverheidsstraat 60 | 7575 BK Oldenzaal | The Netherlands  
 T. +31 (0)541 200 800 | F. +31 (0)541 200 899  
 info@esspost.com | www.easydrain.com

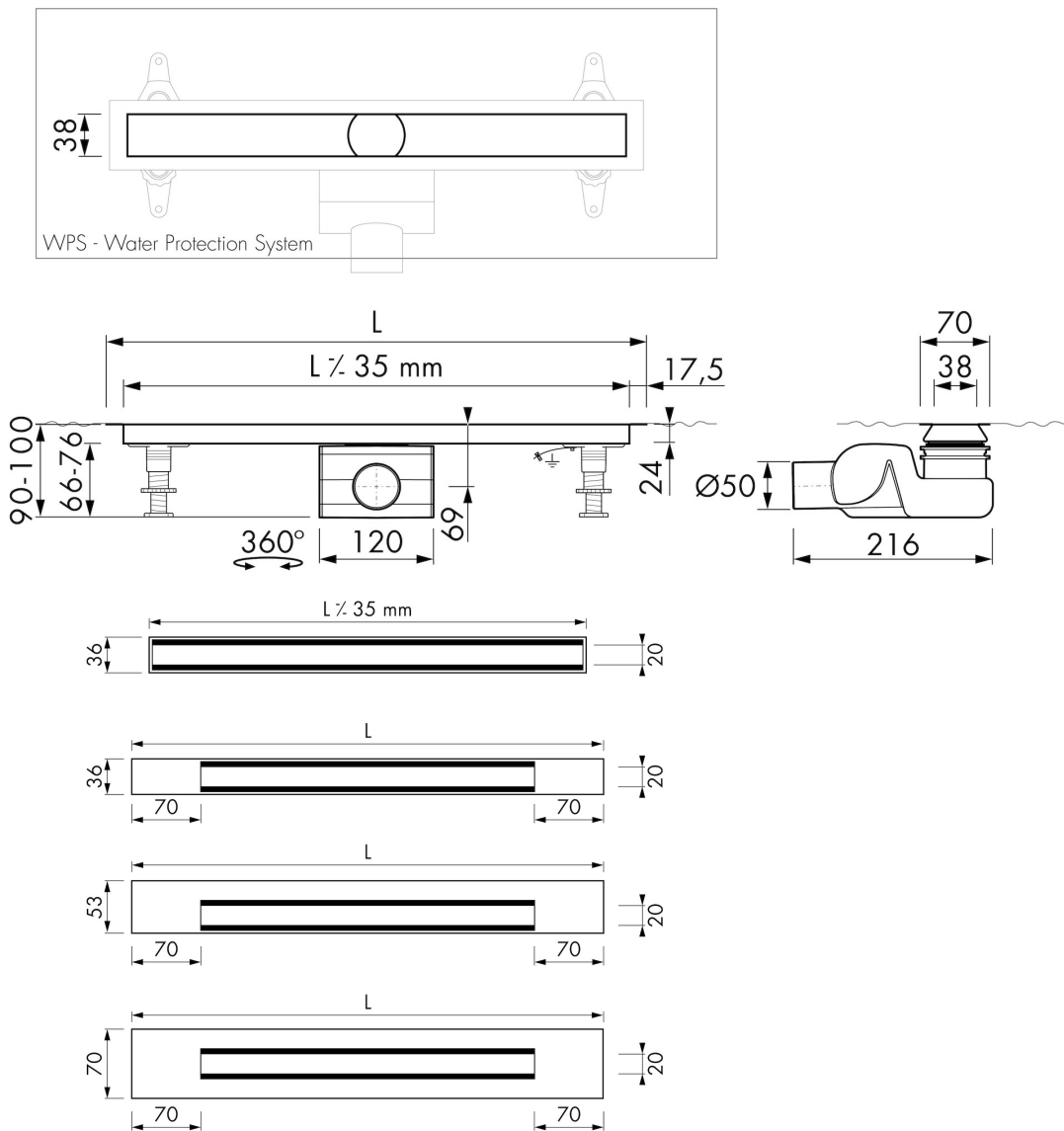
### Contact

Easy Sanitary Solutions  
 Nijverheidsstraat 60 | 7575 BK Oldenzaal | The Netherlands  
 T. +31 (0)541 200 800 | F. +31 (0)541 200 899  
 sales@esspost.com | www.easydrain.com

## ARTICLE CODE

500 mm	XS-Z1P-M-500 / XS-ROH-500		
600 mm	XS-Z1P-M-600 / XS-ROH-600		
700 mm	XS-Z1P-M-700 / XS-ROH-700		
900 mm	XS-Z1P-M-900 / XS-ROH-900		
1000 mm	XS-Z1P-M-1000 / XS-ROH-1000		
1100 mm	XS-Z1P-M-1100 / XS-ROH-1100		
1200 mm	XS-Z1P-M-1200 / XS-ROH-1200		

## TECHNICAL DRAWINGS



**Manufacturer**

Easy Sanitary Solutions  
 Nijverheidsstraat 60 | 7575 BK Oldenzaal | The Netherlands  
 T. +31 (0)541 200 800 | F. +31 (0)541 200 899  
 info@esspost.com | www.easydrain.com

**Contact**

Easy Sanitary Solutions  
 Nijverheidsstraat 60 | 7575 BK Oldenzaal | The Netherlands  
 T. +31 (0)541 200 800 | F. +31 (0)541 200 899  
 sales@esspost.com | www.easydrain.com