



Easy Drain[®]

by ess

Modulo TAF Wall

Easy Drain Modulo TAF Wall linear shower drain fits perfect between any wall and any floor. The subtle stainless frame beautifully connects your bathroom wall and floor, while the ground-breaking TAF-system and Water Protection System make sure that all of the shower water is drained.

FEATURES

- Available lengths - 500 - 1200 mm
- Water Protection System - 10-year warranty
- Siphon - Easy to clean
- Tile Adjustable Frame - Height adjustable 7 - 18 mm
- Supplied as - Complete set



Manufacturer

Easy Sanitary Solutions
Nijverheidsstraat 60 | 7575 BK Oldenzaal | The Netherlands
T. +31 (0)541 200 800 | F. +31 (0)541 200 899
info@esspost.com | www.easydrain.com

Contact

Easy Sanitary Solutions
Nijverheidsstraat 60 | 7575 BK Oldenzaal | The Netherlands
T. +31 (0)541 200 800 | F. +31 (0)541 200 899
sales@esspost.com | www.easydrain.com

GENERAL

Serie	Modulo TAF Wall
Name	Modulo TAF Wall
Model	Rectangular shower drain
Length (mm)	500, 600, 700, 800, 900, 1000, 1100, 1200
Product type	Complete
Application	New construction, Renovation
Certification	ETAG-022, DIN 18534

INSTALLATION

Substrate	Concrete / Sand Cement, Wooden floors, Lewis sheets
Floor finish	Tiles / Mosaic, Glass Mosaic, Thin tiles
Height adjustable feet	Included
Installation option	Wall
Outlet	Horizontal (Vertical outlet optional)
Connection (mm)	40
Min. installation depth (mm) (built-in set)	70
Min. installation depth (mm) (incl. grate)	77

DRAINAGE

Max. drainage capacity entrance (l/min)	28
Max. drainage capacity wall (l/min)	33
Max. drainage capacity (l/min)	33

BUILT-IN SET

Pre-assembled sealing membrane	Included
Siphon features	Cleanable, Pivotal & adjustable, Height adjustable
Water seal height (mm)	28
Outlet	Horizontal (Vertical outlet optional)
Material siphon	ABS

DESIGN

Grate finish	Green glass
Grate pattern	Zero / Closed
Grate width (mm)	45
Grate tile insert (mm)	N.A.
Adjustable grate	No
Frame type	TAF (Tile Adjustable Frame)
TAF Frame material	Stainless steel (304)
Design frame finish	N.A.
Frame width (mm)	81
Wheelchair accessible	No
Extension set available	Yes



Manufacturer

Easy Sanitary Solutions
 Nijverheidsstraat 60 | 7575 BK Oldenzaal | The Netherlands
 T. +31 (0)541 200 800 | F. +31 (0)541 200 899
 info@esspost.com | www.easydrain.com

Contact

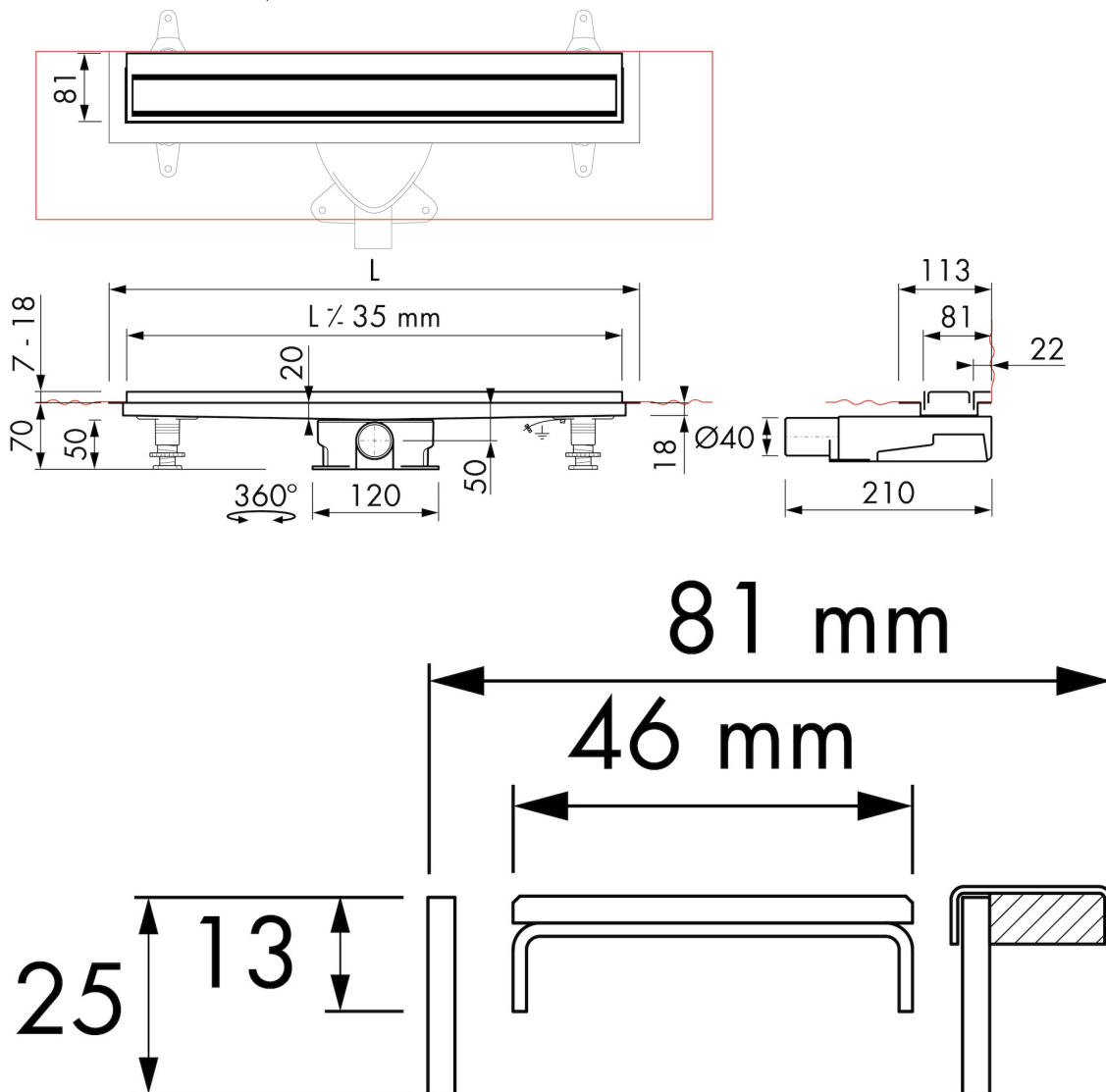
Easy Sanitary Solutions
 Nijverheidsstraat 60 | 7575 BK Oldenzaal | The Netherlands
 T. +31 (0)541 200 800 | F. +31 (0)541 200 899
 sales@esspost.com | www.easydrain.com

ARTICLE CODE

500 mm	MLWGG 500 / EDM2 500-35		
600 mm	MLWGG 600 / EDM2 600-35		
700 mm	MLWGG 700 / EDM2 700-35		
800 mm	MLWGG 800 / EDM2 800-35		
900 mm	MLWGG 900 / EDM2 900-35		
1000 mm	MLWGG 1000 / EDM2 1000-35		
1100 mm	MLWGG 1100 / EDM2 1100-35		
1200 mm	MLWGG 1200 / EDM2 1200-35		

TECHNICAL DRAWINGS

WPS - Water Protection System



Manufacturer

Easy Sanitary Solutions
 Nijverheidsstraat 60 | 7575 BK Oldenzaal | The Netherlands
 T. +31 (0)541 200 800 | F. +31 (0)541 200 899
 info@esspost.com | www.easydrain.com

Contact

Easy Sanitary Solutions
 Nijverheidsstraat 60 | 7575 BK Oldenzaal | The Netherlands
 T. +31 (0)541 200 800 | F. +31 (0)541 200 899
 sales@esspost.com | www.easydrain.com