



Easy Drain[®]

by ess

Aqua Brilliant Low

Vertical and horizontal connectivity combined in a single shower drain! Aqua Brilliant is easy to install, due to its unique shape and very low installation depth. Aqua Brilliant is also ideal for renovations.

FEATURES

- Available size - 150x150 mm
- Water Protection System - 10-year warranty
- Siphon - Easy to clean
- Suitable for - New construction and renovation
- Supplied as - Complete set



Manufacturer

Easy Sanitary Solutions
Nijverheidsstraat 60 | 7575 BK Oldenzaal | The Netherlands
T. +31 (0)541 200 800 | F. +31 (0)541 200 899
info@esspost.com | www.easydrain.com

Contact

Easy Sanitary Solutions
Nijverheidsstraat 60 | 7575 BK Oldenzaal | The Netherlands
T. +31 (0)541 200 800 | F. +31 (0)541 200 899
sales@esspost.com | www.easydrain.com

Page 1 / 3

GENERAL

Serie	Aqua Brilliant
Name	Aqua Brilliant Low
Model	Square shower drain
Length (mm)	150 x 150
Product type	Complete
Application	Renovation, New construction
Certification	DIN 18534, ETAG-022

INSTALLATION

Substrate	Lewis sheets, Concrete / Sand Cement, Wooden floors
Floor finish	Tiles / Mosaic, Glass Mosaic, Thin tiles
Height adjustable feet	Excluded
Installation option	Floor
Outlet	Horizontal / Vertical
Connection (mm)	N.A.
Min. installation depth (mm) (built-in set)	N.A.
Min. installation depth (mm) (incl. grate)	67.5

DRAINAGE

Max. drainage capacity entrance (l/min)	N.A.
Max. drainage capacity wall (l/min)	N.A.
Max. drainage capacity (l/min)	39

BUILT-IN SET

Pre-assembled sealing membrane	N.A.
Siphon features	Cleanable, Pivotal & adjustable
Water seal height (mm)	50
Outlet	Horizontal / Vertical
Material siphon	ABS

DESIGN

Grate finish	Brushed stainless steel
Grate pattern	Standard
Grate width (mm)	N.A.
Grate tile insert (mm)	N.A.
Adjustable grate	No
Frame type	N.A.
TAF Frame material	N.A.
Design frame finish	N.A.
Frame width (mm)	N.A.
Wheelchair accessible	Yes
Extension set available	No



Manufacturer

Easy Sanitary Solutions
 Nijverheidsstraat 60 | 7575 BK Oldenzaal | The Netherlands
 T. +31 (0)541 200 800 | F. +31 (0)541 200 899
 info@esspost.com | www.easydrain.com

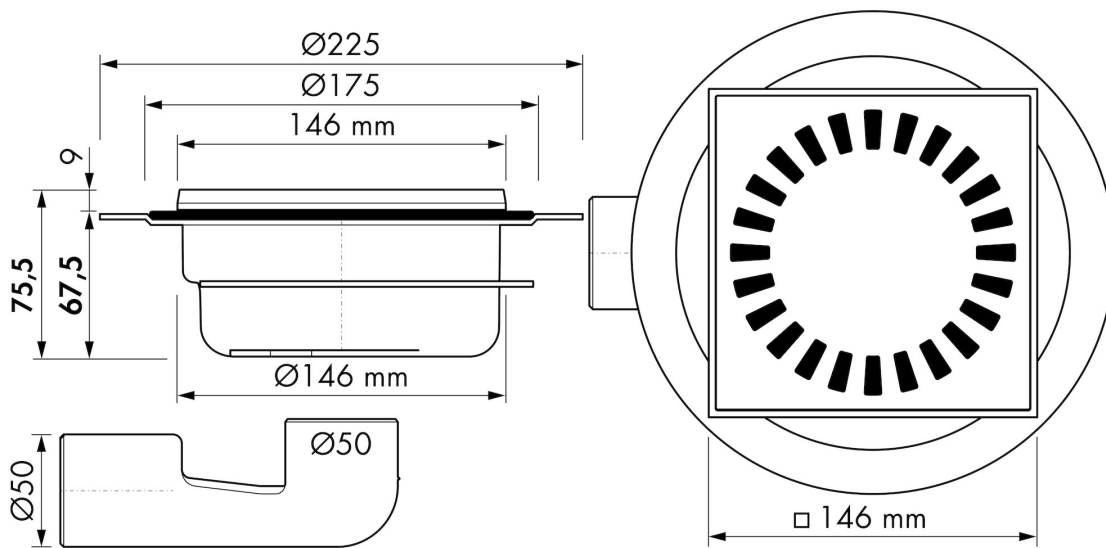
Contact

Easy Sanitary Solutions
 Nijverheidsstraat 60 | 7575 BK Oldenzaal | The Netherlands
 T. +31 (0)541 200 800 | F. +31 (0)541 200 899
 sales@esspost.com | www.easydrain.com

ARTICLE CODE

150 x 150 mm	AquaBLW-15x15		

TECHNICAL DRAWINGS



Manufacturer

Easy Sanitary Solutions
 Nijverheidsstraat 60 | 7575 BK Oldenzaal | The Netherlands
 T. +31 (0)541 200 800 | F. +31 (0)541 200 899
 info@esspost.com | www.easydrain.com

Contact

Easy Sanitary Solutions
 Nijverheidsstraat 60 | 7575 BK Oldenzaal | The Netherlands
 T. +31 (0)541 200 800 | F. +31 (0)541 200 899
 sales@esspost.com | www.easydrain.com