



Easy Drain[®]

by ess

Waterstop Aqua

Waterstop is an easy-to-install shower drain, thanks to its large pre-assembled sealing membrane (Water Protection System). This results in the complete waterproofing of your shower area without the need for additional sealing compounds besides tile adhesive. The Waterstop shower drain is ideally suited for against-wall installation, but can also be placed anywhere in the floor.

FEATURES

- Connection - 360° rotatable
- Siphon - Easy to clean
- Suitable for - New construction and renovation
- Outlet - Horizontal outlet



Manufacturer

Easy Sanitary Solutions
Nijverheidsstraat 60 | 7575 BK Oldenzaal | The Netherlands
T. +31 (0)541 200 800 | F. +31 (0)541 200 899
info@esspost.com | www.easydrain.com

Contact

Easy Sanitary Solutions
Nijverheidsstraat 60 | 7575 BK Oldenzaal | The Netherlands
T. +31 (0)541 200 800 | F. +31 (0)541 200 899
sales@esspost.com | www.easydrain.com

Page 1 / 3

GENERAL

Serie	Aqua
Name	Waterstop Aqua
Model	Square shower drain
Length (mm)	100 x 100
Product type	N.A.
Application	Renovation, New construction
Certification	EN 1253

INSTALLATION

Substrate	Lewis sheets, Concrete / Sand Cement, Wooden floors
Floor finish	Tiles / Mosaic, Thin tiles
Height adjustable feet	Excluded
Installation option	Floor
Outlet	Horizontal
Connection (mm)	N.A.
Min. installation depth (mm) (built-in set)	N.A.
Min. installation depth (mm) (incl. grate)	68

DRAINAGE

Max. drainage capacity entrance (l/min)	N.A.
Max. drainage capacity wall (l/min)	N.A.
Max. drainage capacity (l/min)	35

BUILT-IN SET

Pre-assembled sealing membrane	N.A.
Siphon features	Cleanable, Pivotal & adjustable, Height adjustable
Water seal height (mm)	N.A.
Outlet	Horizontal
Material siphon	Stainless steel (304)

DESIGN

Grate finish	Tile
Grate pattern	Zero / Closed
Grate width (mm)	87
Grate tile insert (mm)	N.A.
Adjustable grate	Yes
Frame type	N.A.
TAF Frame material	N.A.
Design frame finish	N.A.
Frame width (mm)	N.A.
Wheelchair accessible	Yes
Extension set available	N.A.



Manufacturer

Easy Sanitary Solutions
 Nijverheidsstraat 60 | 7575 BK Oldenzaal | The Netherlands
 T. +31 (0)541 200 800 | F. +31 (0)541 200 899
 info@esspost.com | www.easydrain.com

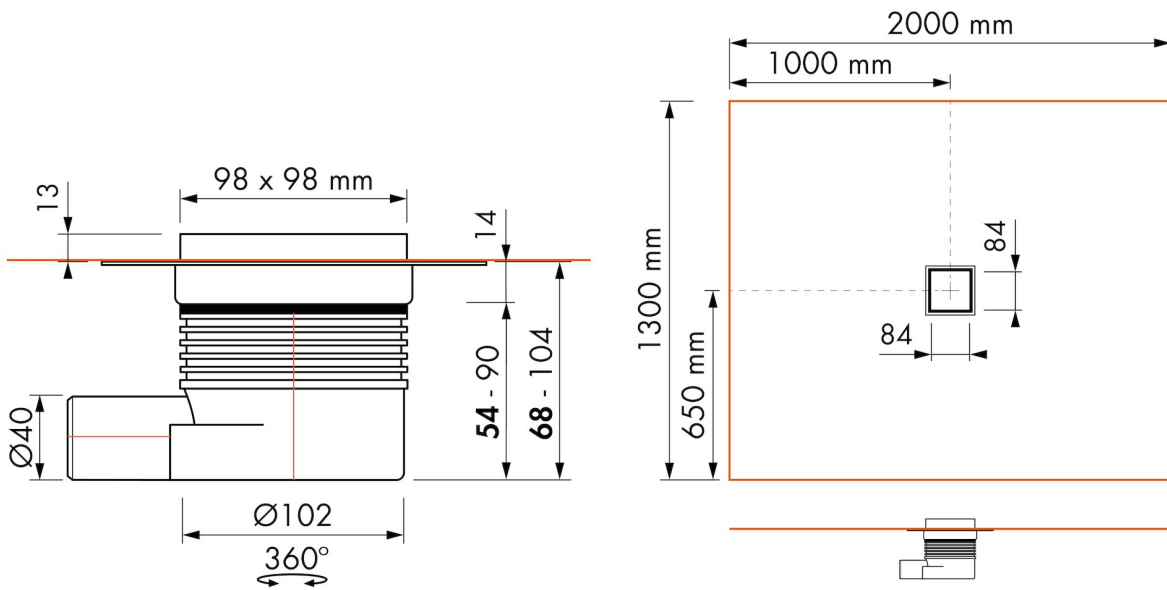
Contact

Easy Sanitary Solutions
 Nijverheidsstraat 60 | 7575 BK Oldenzaal | The Netherlands
 T. +31 (0)541 200 800 | F. +31 (0)541 200 899
 sales@esspost.com | www.easydrain.com

ARTICLE CODE

100 x 100 mm	ED-WS-10x10		

TECHNICAL DRAWINGS



Manufacturer

Easy Sanitary Solutions
 Nijverheidsstraat 60 | 7575 BK Oldenzaal | The Netherlands
 T. +31 (0)541 200 800 | F. +31 (0)541 200 899
 info@esspost.com | www.easydrain.com

Contact

Easy Sanitary Solutions
 Nijverheidsstraat 60 | 7575 BK Oldenzaal | The Netherlands
 T. +31 (0)541 200 800 | F. +31 (0)541 200 899
 sales@esspost.com | www.easydrain.com