



# Easy Drain<sup>®</sup>

by ess

## Aqua Compact

The Aqua Compact with stainless steel grate is a beautifully designed shower drain that is supplied as a complete set. Its low installation depth and high capacity makes it ideal for renovation projects.

### FEATURES

- Available size - 150x150 mm
- Drainage capacity - according to EN 1253
- Siphon - Easy to clean
- Suitable for - Renovation projects
- Supplied as - Complete set



#### Manufacturer

Easy Sanitary Solutions  
Nijverheidsstraat 60 | 7575 BK Oldenzaal | The Netherlands  
T. +31 (0)541 200 800 | F. +31 (0)541 200 899  
info@esspost.com | www.easydrain.com

#### Contact

Easy Sanitary Solutions  
Nijverheidsstraat 60 | 7575 BK Oldenzaal | The Netherlands  
T. +31 (0)541 200 800 | F. +31 (0)541 200 899  
sales@esspost.com | www.easydrain.com

## GENERAL

Serie	Aqua Compact
Name	Aqua Compact
Model	Square shower drain
Length (mm)	150 x 150
Product type	Complete
Application	Renovation, New construction
Certification	EN1253

## INSTALLATION

Substrate	Concrete / Sand Cement, Wooden floors, Lewis sheets
Floor finish	Tiles / Mosaic, Glass Mosaic, Thin tiles
Height adjustable feet	N.A.
Installation option	Floor
Outlet	Horizontal
Connection (mm)	50 (Global) / 56 (UK)
Min. installation depth (mm) (built-in set)	73
Min. installation depth (mm) (incl. grate)	73

## DRAINAGE

Max. drainage capacity entrance (l/min)	N.A.
Max. drainage capacity wall (l/min)	N.A.
Max. drainage capacity (l/min)	33

## BUILT-IN SET

Pre-assembled sealing membrane	Excluded
Siphon features	Cleanable, Pivotal & adjustable
Water seal height (mm)	50
Outlet	Horizontal
Material siphon	ABS

## DESIGN

Grate finish	Brushed stainless steel
Grate pattern	Standard
Grate width (mm)	150
Grate tile insert (mm)	N.A.
Adjustable grate	N.A.
Frame type	N.A.
TAF Frame material	N.A.
Design frame finish	N.A.
Frame width (mm)	N.A.
Wheelchair accessible	Yes
Extension set available	No



### Manufacturer

Easy Sanitary Solutions  
 Nijverheidsstraat 60 | 7575 BK Oldenzaal | The Netherlands  
 T. +31 (0)541 200 800 | F. +31 (0)541 200 899  
 info@esspost.com | www.easydrain.com

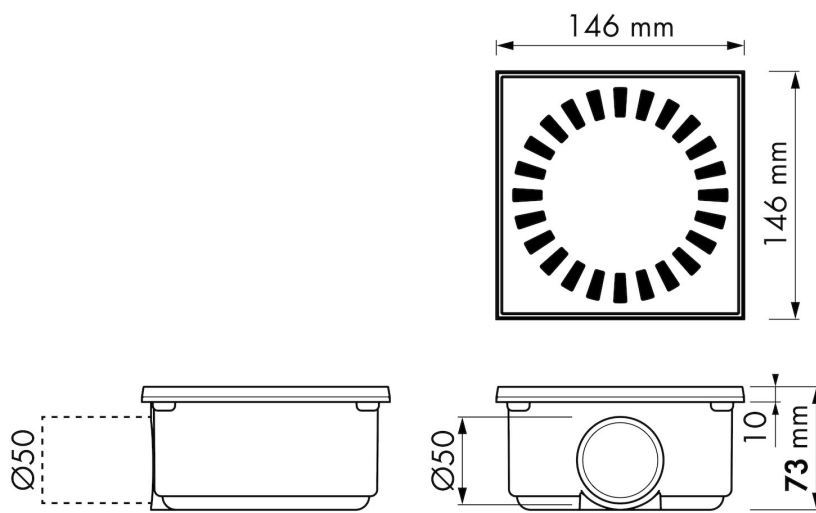
### Contact

Easy Sanitary Solutions  
 Nijverheidsstraat 60 | 7575 BK Oldenzaal | The Netherlands  
 T. +31 (0)541 200 800 | F. +31 (0)541 200 899  
 sales@esspost.com | www.easydrain.com

## ARTICLE CODE

150 x 150 mm	AQUACOM50-15x15-B		

## TECHNICAL DRAWINGS



**Manufacturer**

Easy Sanitary Solutions  
 Nijverheidsstraat 60 | 7575 BK Oldenzaal | The Netherlands  
 T. +31 (0)541 200 800 | F. +31 (0)541 200 899  
 info@esspost.com | www.easydrain.com

**Contact**

Easy Sanitary Solutions  
 Nijverheidsstraat 60 | 7575 BK Oldenzaal | The Netherlands  
 T. +31 (0)541 200 800 | F. +31 (0)541 200 899  
 sales@esspost.com | www.easydrain.com