



Easy Drain[®]

by ess

Aqua Vinyl | MSI7

Easy Drain Vinyl has been developed for use in vinyl flooring. The vinyl can be easily clamped to the drain, guaranteeing a completely watertight installation and a seamless fit into any type of vinyl flooring. The drain is supplied as a complete set and has a lockable grate, which makes it also ideally suited for use in health care facilities.

FEATURES

- Drainage capacity - according to EN 1253
- Connection - 360° rotatable
- Siphon - Easy to clean
- Suitable for - New construction and renovation
- Suitable for - Vinyl flooring



Manufacturer

Easy Sanitary Solutions
Nijverheidsstraat 60 | 7575 BK Oldenzaal | The Netherlands
T. +31 (0)541 200 800 | F. +31 (0)541 200 899
info@esspost.com | www.easydrain.com

Contact

Easy Sanitary Solutions
Nijverheidsstraat 60 | 7575 BK Oldenzaal | The Netherlands
T. +31 (0)541 200 800 | F. +31 (0)541 200 899
sales@esspost.com | www.easydrain.com

GENERAL

Serie	Aqua
Name	Aqua Vinyl MSI7
Model	Round shower drain
Length (mm)	170
Product type	Complete
Application	Renovation, New construction
Certification	ETAG-022, EN1253, CE

INSTALLATION

Substrate	Concrete / Sand Cement, Wooden floors, Synthetic
Floor finish	Vinyl
Height adjustable feet	N.A.
Installation option	Floor
Outlet	Horizontal (Vertical outlet optional)
Connection (mm)	75
Min. installation depth (mm) (built-in set)	87
Min. installation depth (mm) (incl. grate)	116

DRAINAGE

Max. drainage capacity entrance (l/min)	N.A.
Max. drainage capacity wall (l/min)	N.A.
Max. drainage capacity (l/min)	48

BUILT-IN SET

Pre-assembled sealing membrane	N.A.
Siphon features	Cleanable, Pivotal & adjustable, Height adjustable
Water seal height (mm)	25-50
Outlet	Horizontal (Vertical outlet optional)
Material siphon	ABS

DESIGN

Grate finish	Brushed stainless steel
Grate pattern	Standard
Grate width (mm)	154
Grate tile insert (mm)	N.A.
Adjustable grate	No
Frame type	N.A.
TAF Frame material	N.A.
Design frame finish	N.A.
Frame width (mm)	171
Wheelchair accessible	Yes
Extension set available	N.A.



Manufacturer

Easy Sanitary Solutions
 Nijverheidsstraat 60 | 7575 BK Oldenzaal | The Netherlands
 T. +31 (0)541 200 800 | F. +31 (0)541 200 899
 info@esspost.com | www.easydrain.com

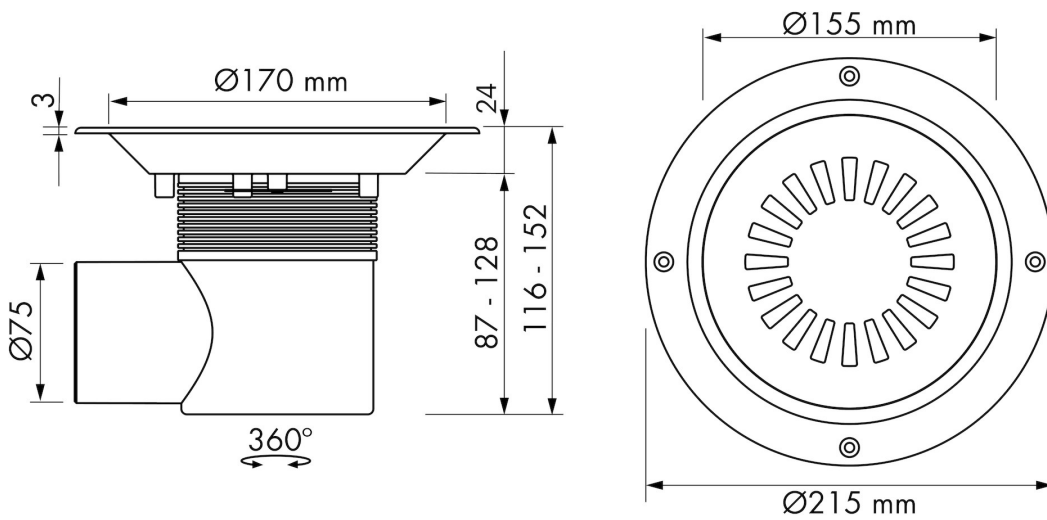
Contact

Easy Sanitary Solutions
 Nijverheidsstraat 60 | 7575 BK Oldenzaal | The Netherlands
 T. +31 (0)541 200 800 | F. +31 (0)541 200 899
 sales@esspost.com | www.easydrain.com

ARTICLE CODE

170 mm	AquaVIN-MSI7		

TECHNICAL DRAWINGS



Manufacturer

Easy Sanitary Solutions
 Nijverheidsstraat 60 | 7575 BK Oldenzaal | The Netherlands
 T. +31 (0)541 200 800 | F. +31 (0)541 200 899
 info@esspost.com | www.easydrain.com

Contact

Easy Sanitary Solutions
 Nijverheidsstraat 60 | 7575 BK Oldenzaal | The Netherlands
 T. +31 (0)541 200 800 | F. +31 (0)541 200 899
 sales@esspost.com | www.easydrain.com