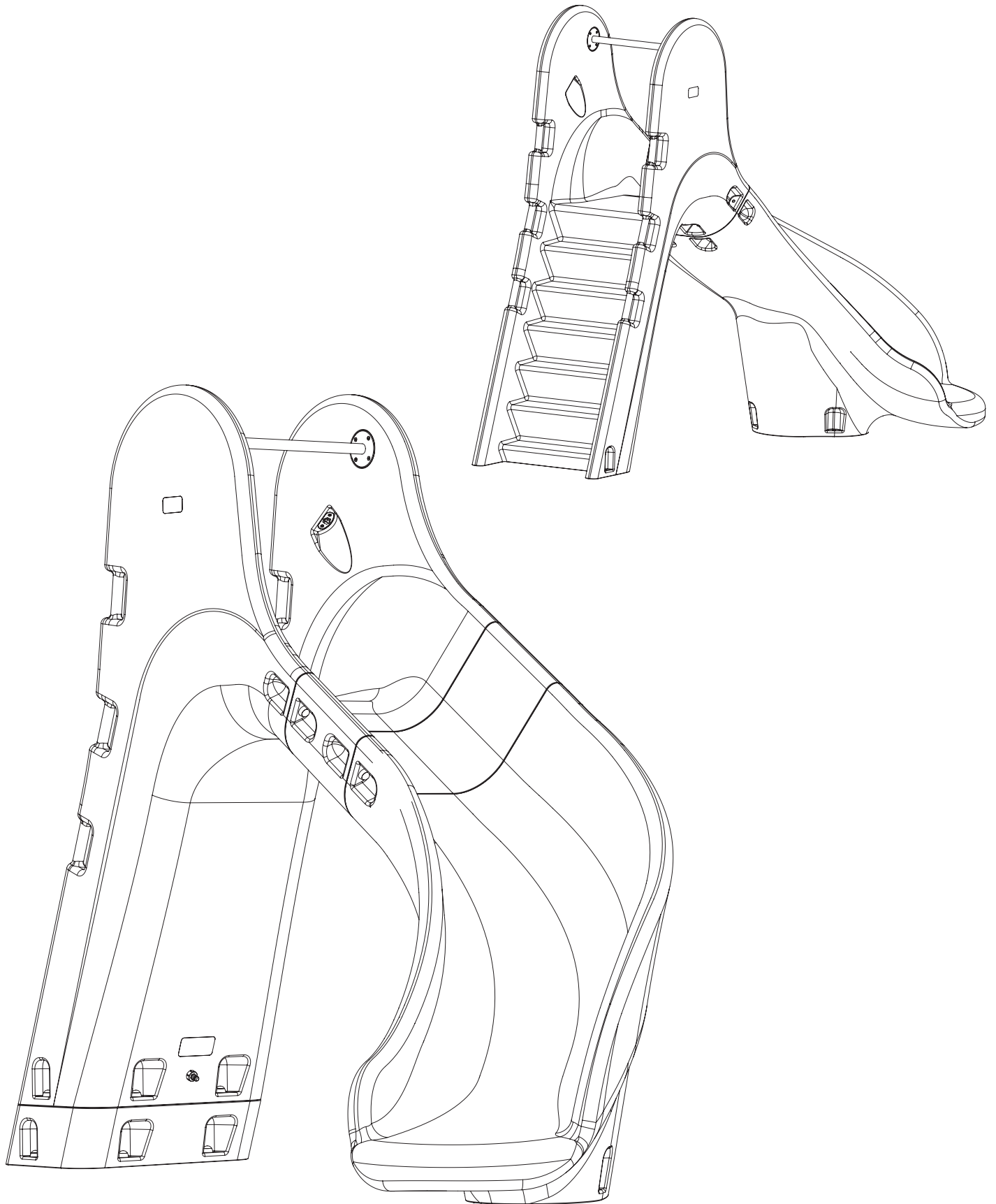


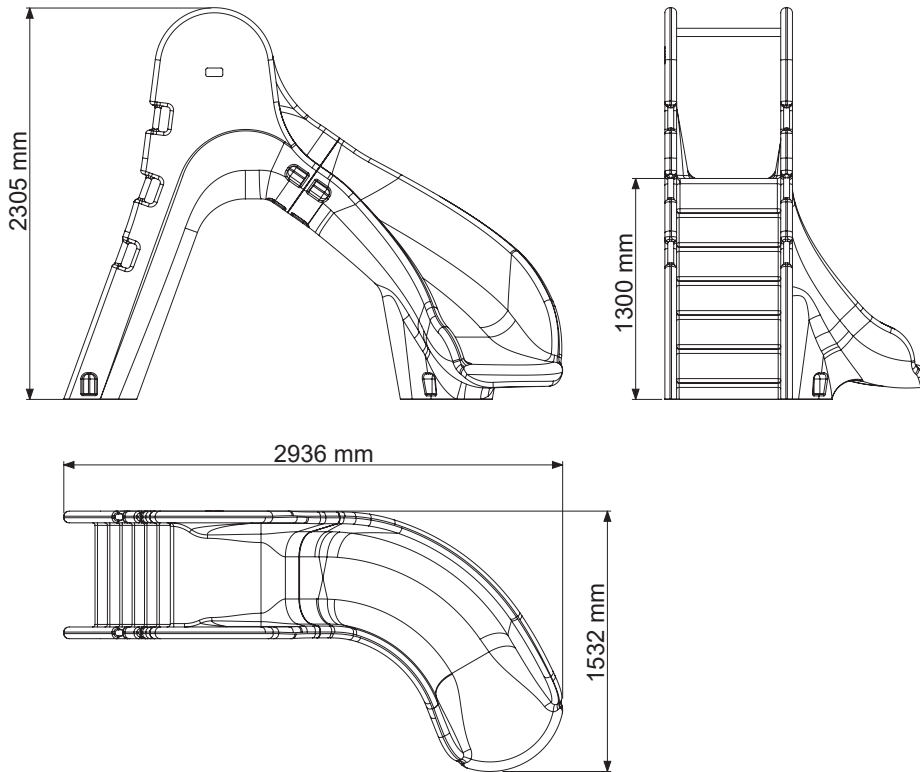
CURVE WATER SLIDE MODEL H130 / H150 CD



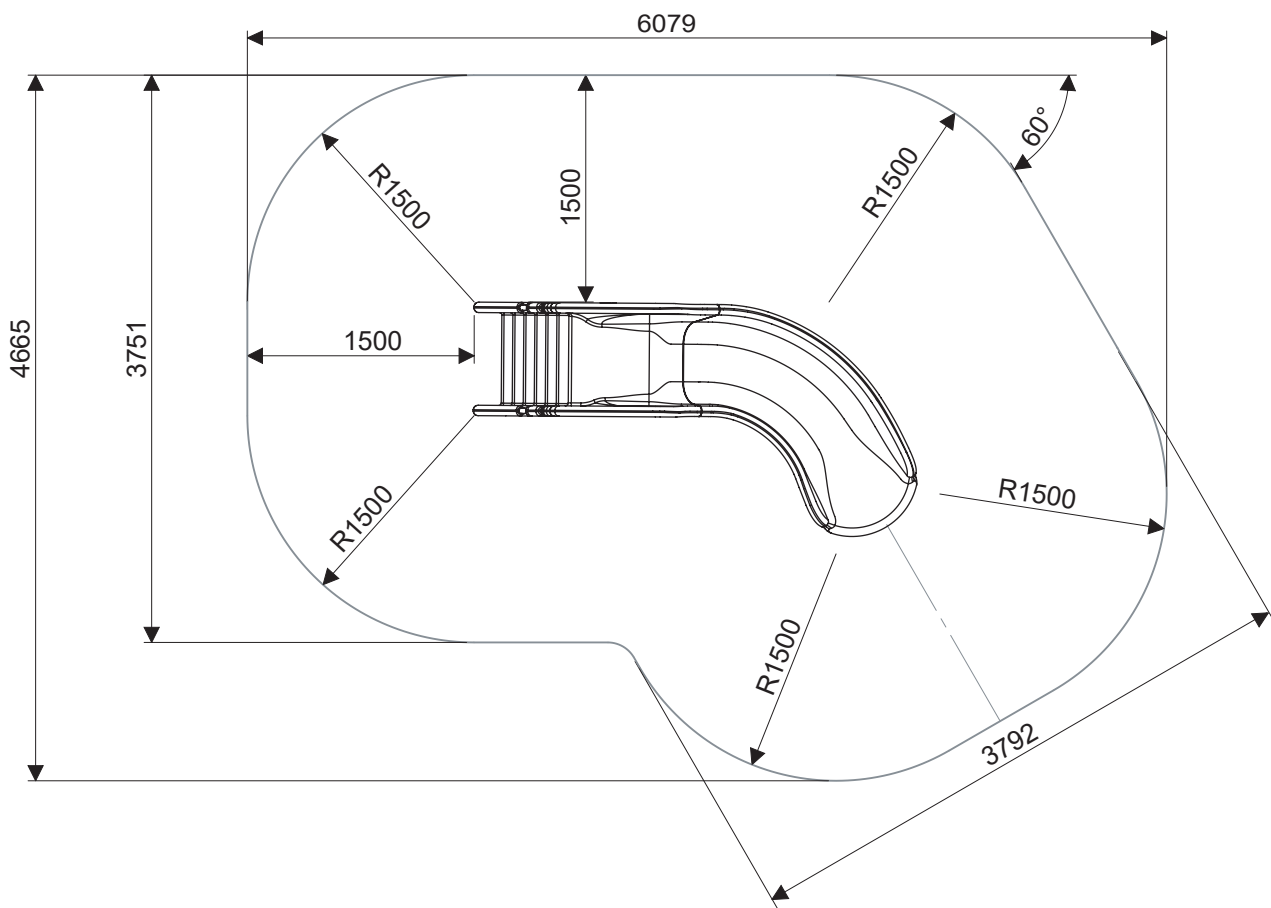
General information

Curved water slide made of polyethylene. The slide has a system of fully integrated water spray to wet the sliding track. It is available in two different heights, 1300 mm and 1500 mm. Product certified in UNE-EN 17232:2021 / EN 17232:2020

Water slide Mod. H130 CD



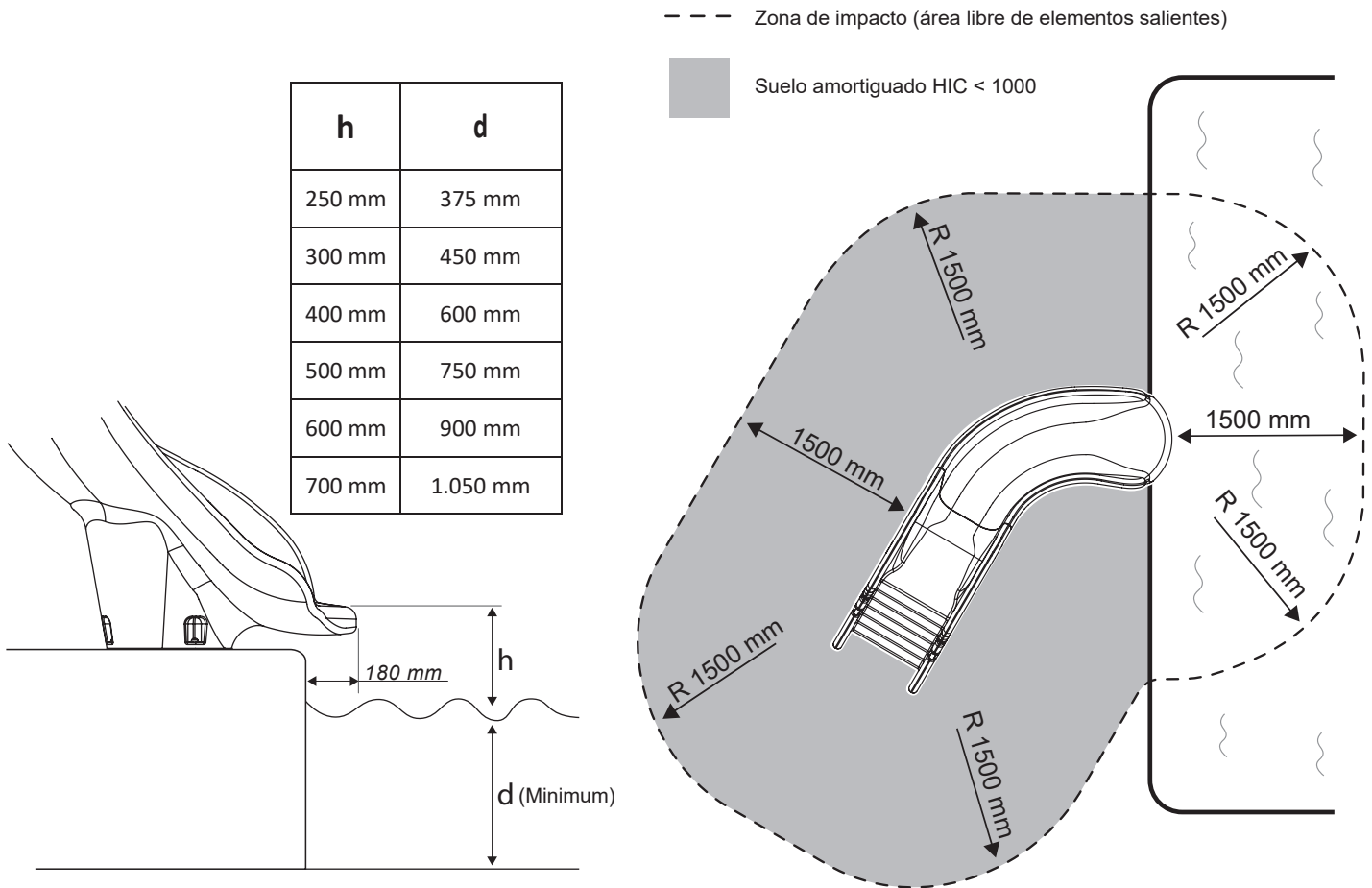
Minimum installation space (dimensions in mm)



Information on installation and safety regulations

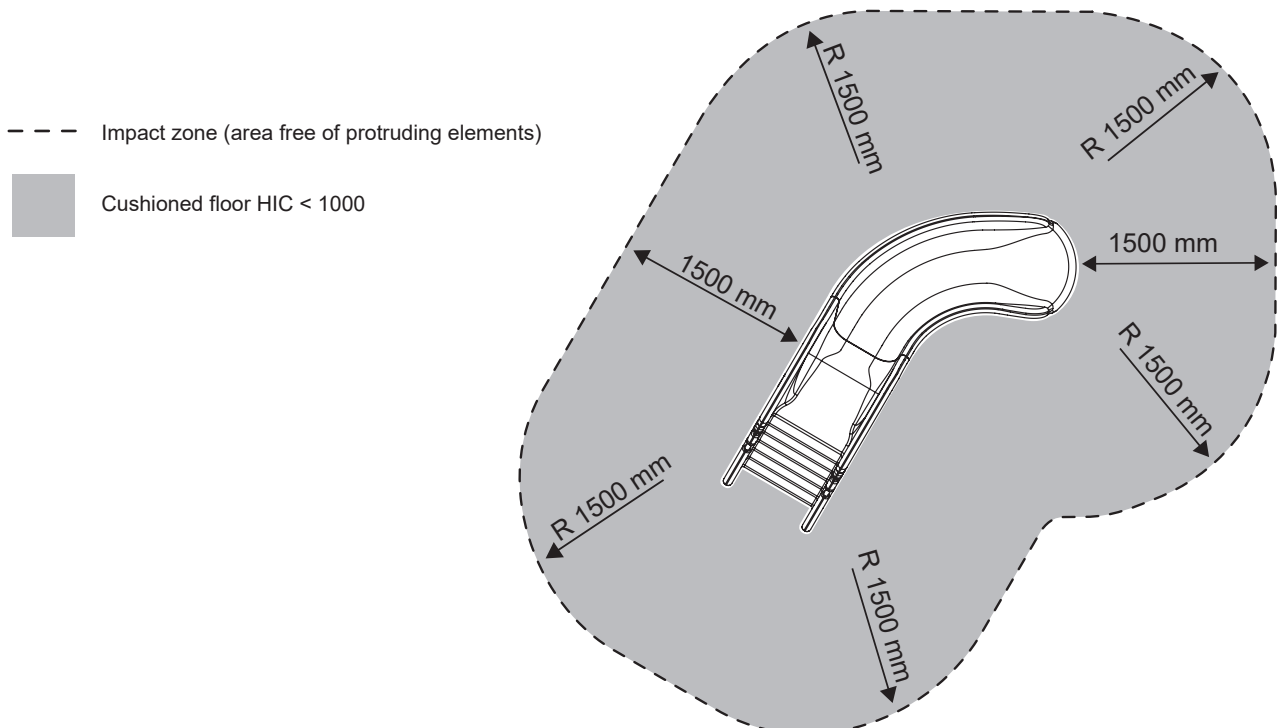
Information on installation and safety regulations:

Do not install or use this slide if the safety distances indicated in the following graphs are not met:



Installation in spray park:

Do not install or use this slide if the safety distances indicated in the following graphs are not met:



Safety rules:

- Do not use if there is movement between the base of the slide and the fixing surface or if there are signs of breaking or deterioration of the surface.
- This slide mustn't be used without adult supervision.
- It is not allowed to use by more than one user at the same time.
- It is not allowed to jump headfirst.
- It is not allowed to jump standing up.
- It must be used only in a seated sliding position. Never standing, back or head.
- It is forbidden to swim and dive under the equipment.
- Users must maintain a constant grip on the handles and railings until they are in sliding position.
- Check that there are no electrical lines in the area where the slide is to be fixed with screws. Current electrical standards and requirements must be respected.

Maintenance:

Routine eye inspection

This inspection must be carried out at least once a week to identify obvious risks that may result from acts of vandalism, continued use or weather conditions, such as example, breaks in the surface, deteriorated fastenings, etc...

In addition, the absence of obstacles within the impact area must be verified.

Functional inspection

This inspection aims to check the operation and stability of the equipment and particularly to detect possible signs of wear. It must be revised: the surfaces, anchorages and caps, the stability of the equipment and the correct spraying of the water system.

It is convenient to carry it out with a frequency of 1 to 3 months depending on the severity of the use or the vandalism.

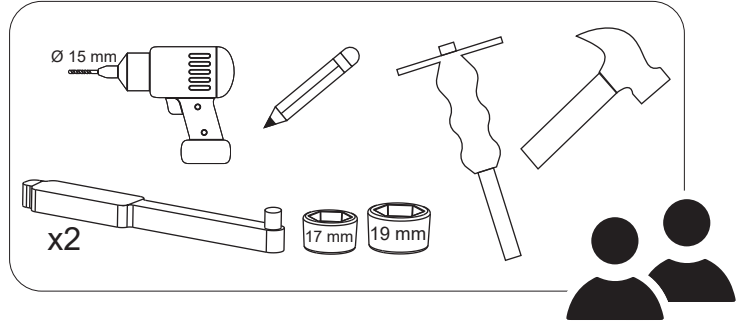
Annual main inspection

In this inspection, which must be carried out once a year, special attention will be paid to the stability of the equipment. A thorough inspection of the state of the anchors must be carried out, check the tightening torque recommending, and their lubrication or adjustment.

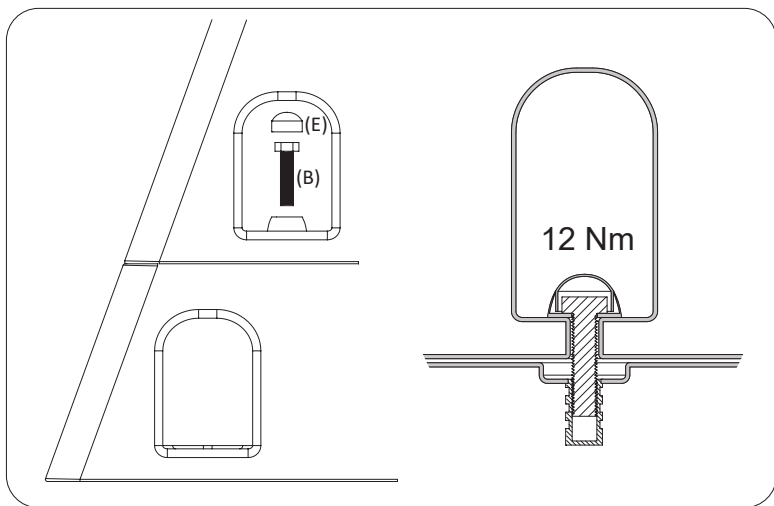
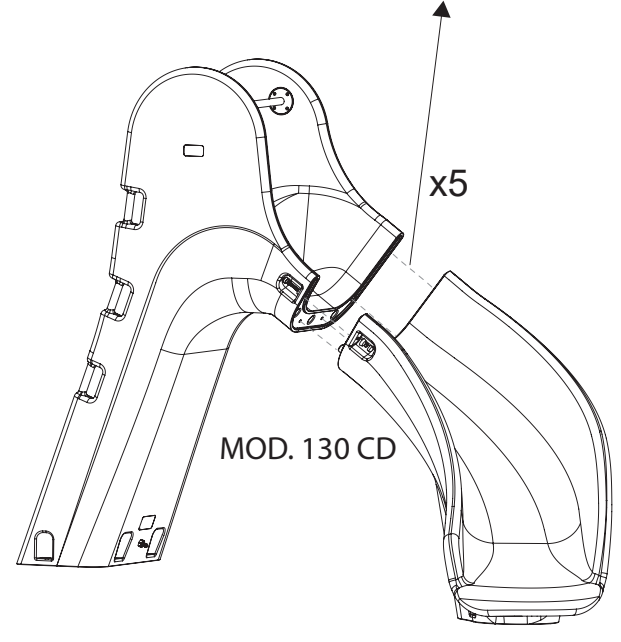
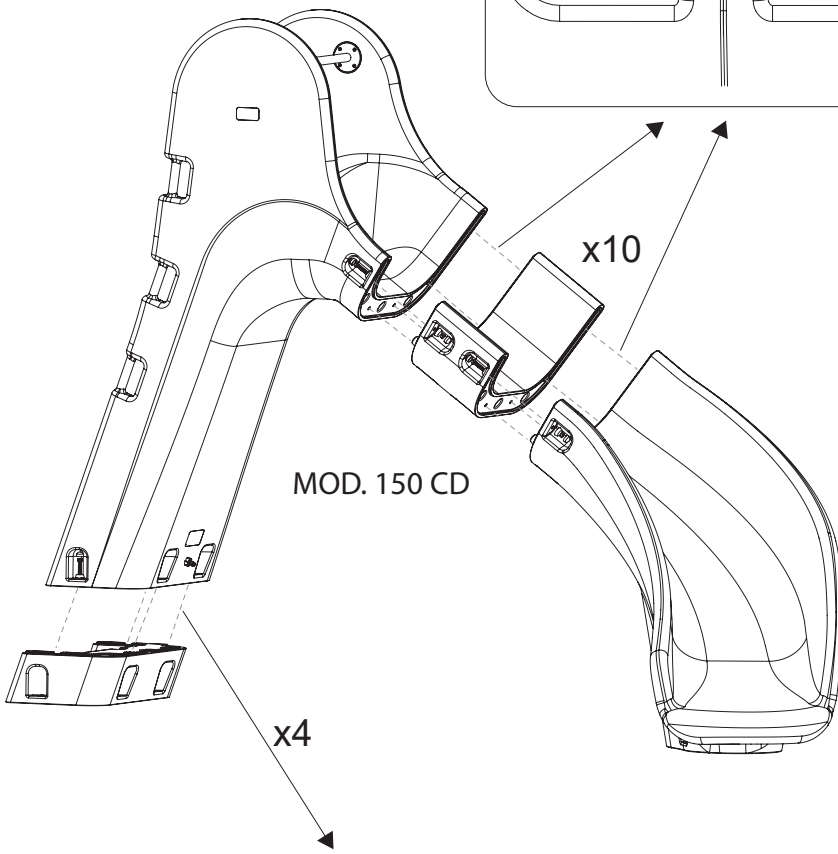
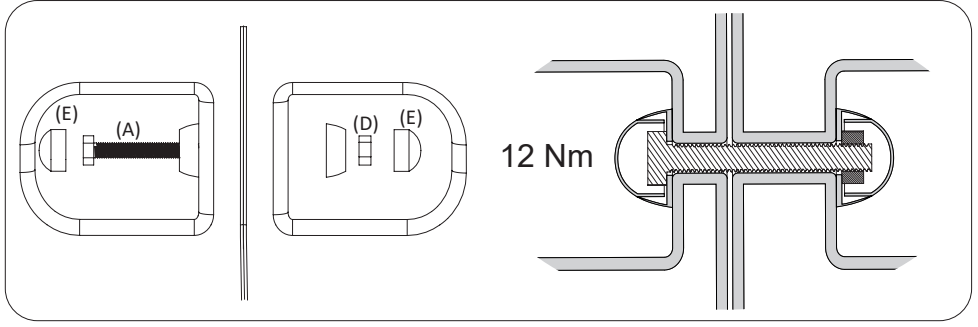
The water spray system should also be checked, and the nozzle cleaned or replaced in case of malfunction.

If during an inspection, excessive wear or breaks are detected on surfaces or fixings, immediate replacement of the component or the complete assembly is recommended, as appropriate. To do so, they should contact the manufacturer/distributor. (www.abcrotomoldeo.com)

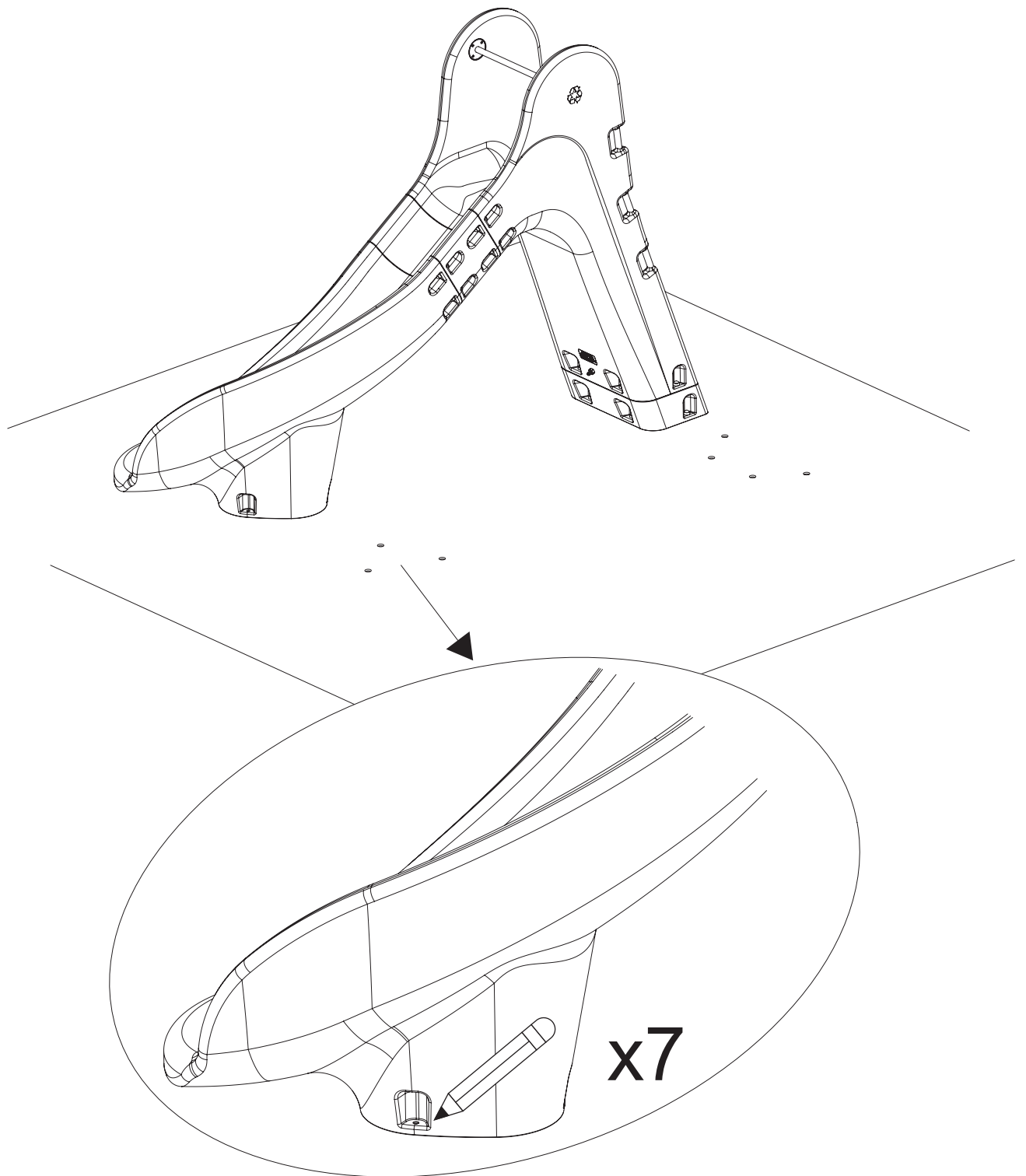
	(A) DIN 933 M10X75	(B) DIN 933 M12X50	(C) HEHOM12	(D) DIN 934 M10	(E) CAP
Mod.150 CD	x10	x11	x7	x10	x31
Mod.130 CD	x5	x7	x7	x5	x17



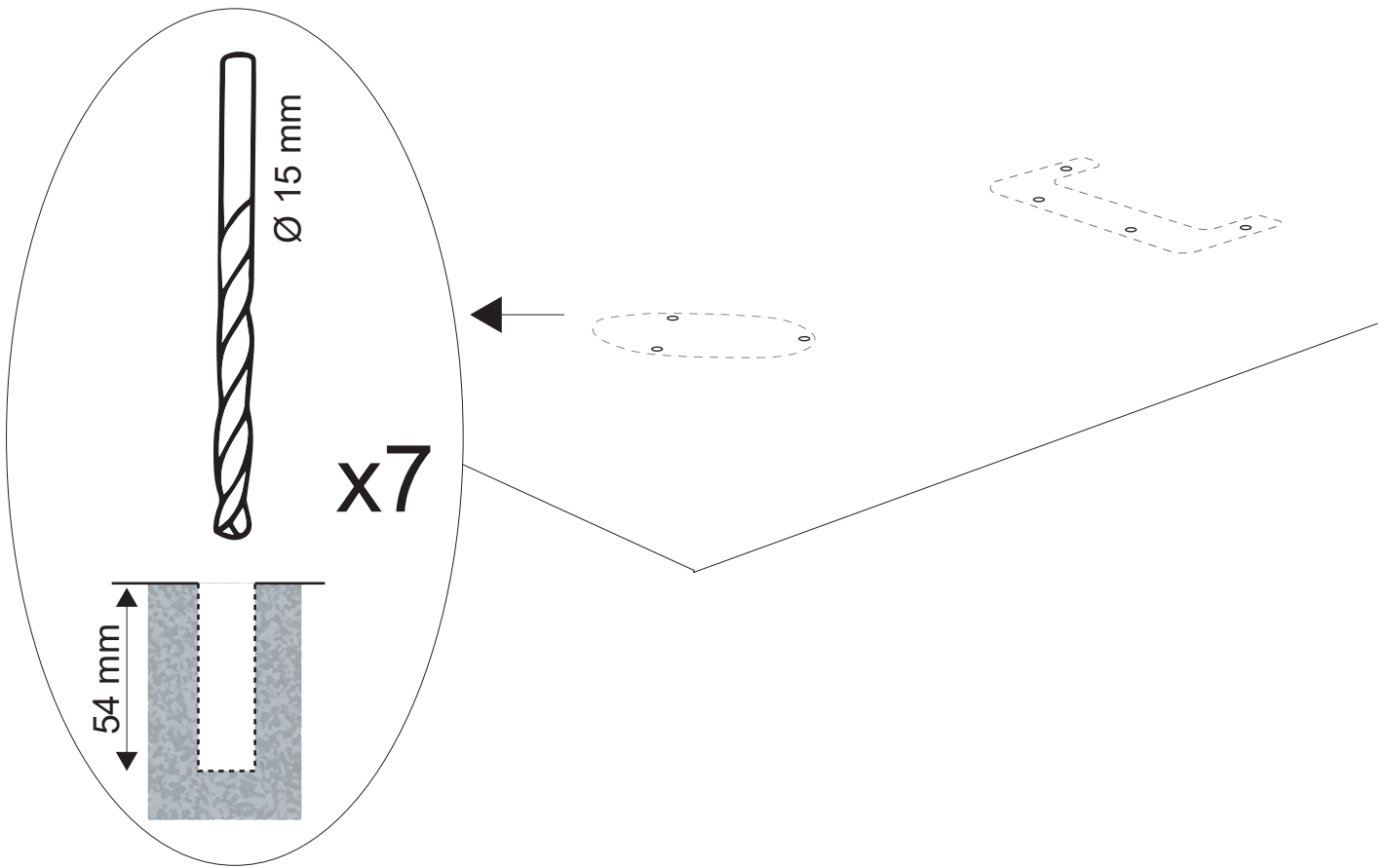
1



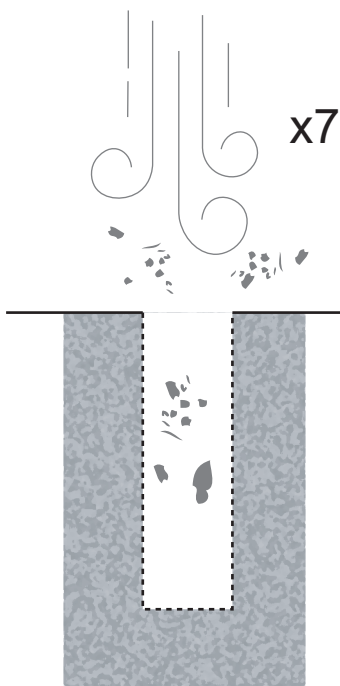
2



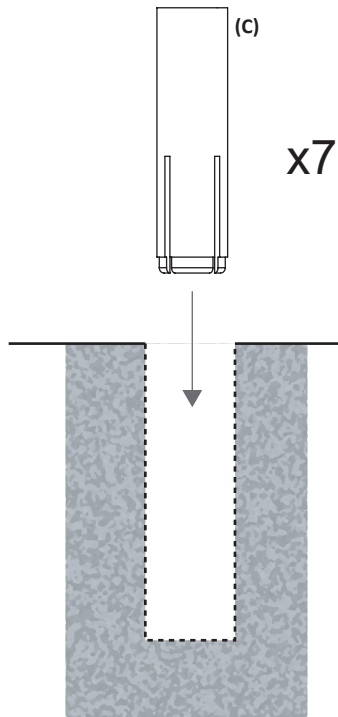
3



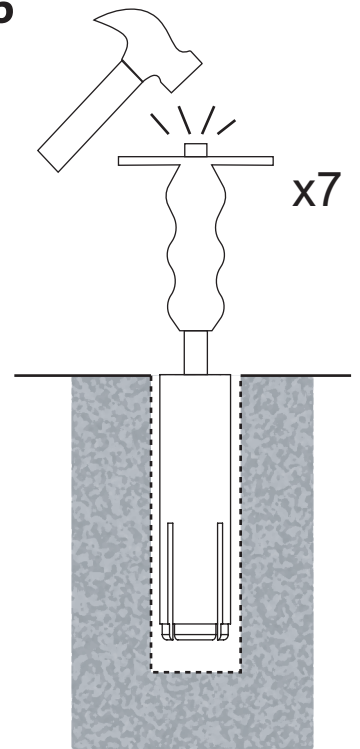
4



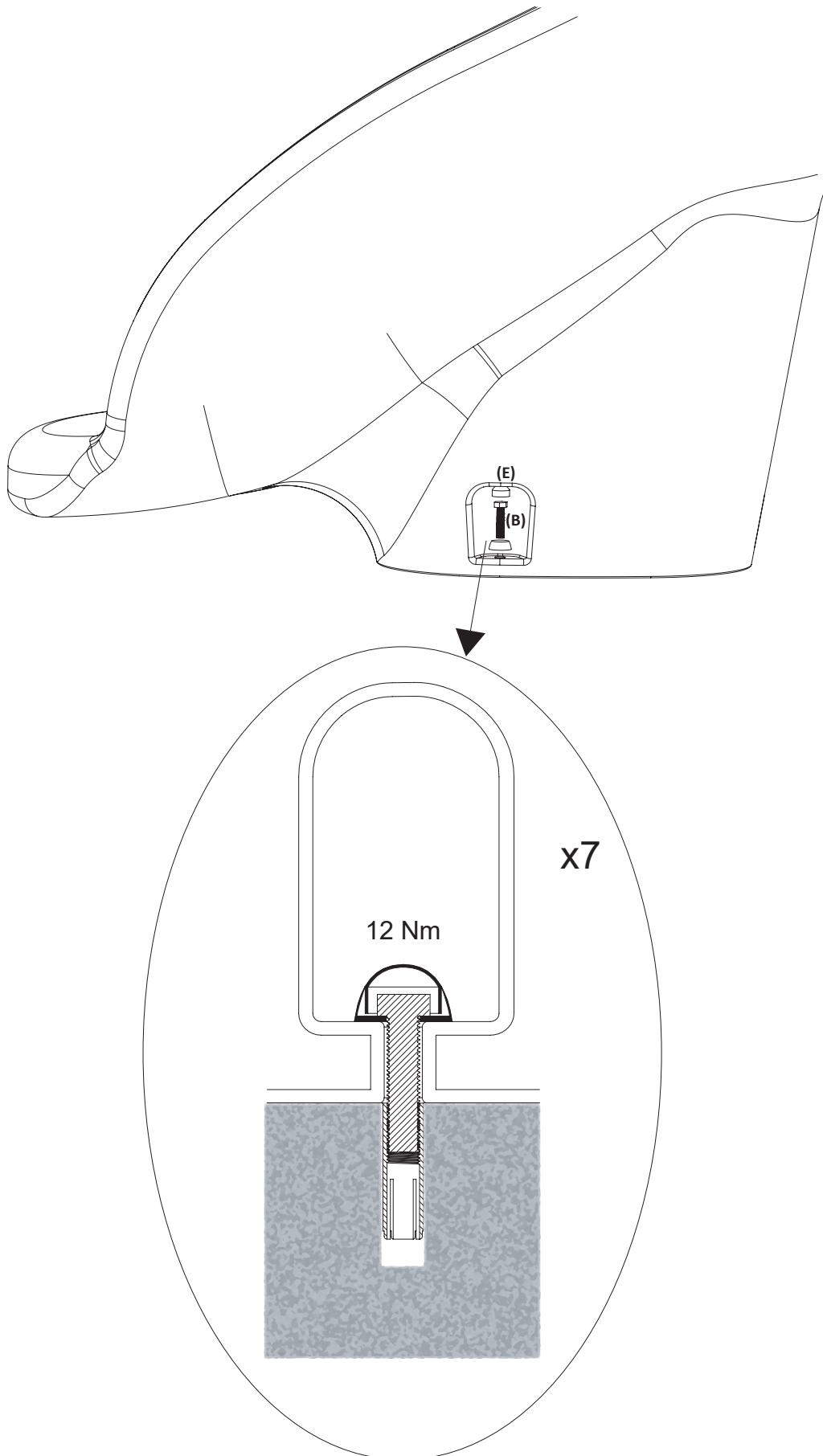
5



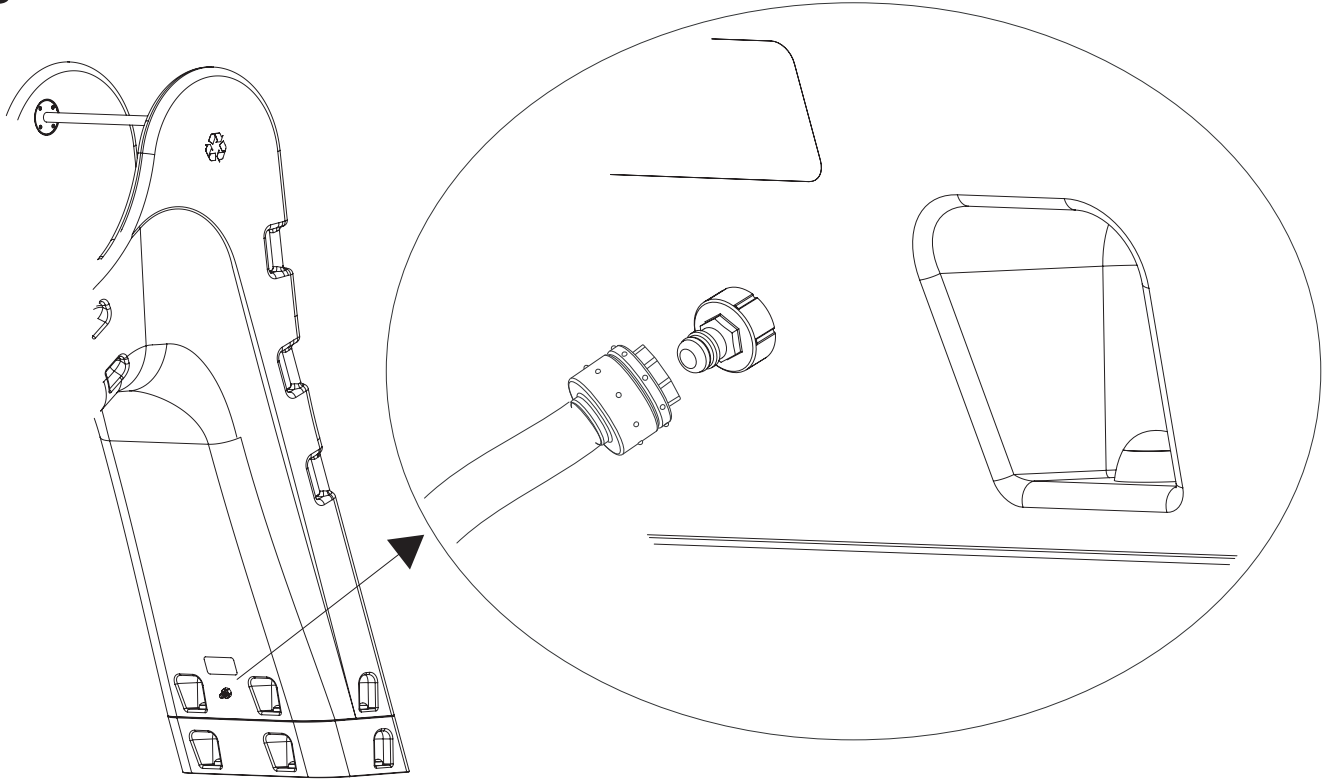
6



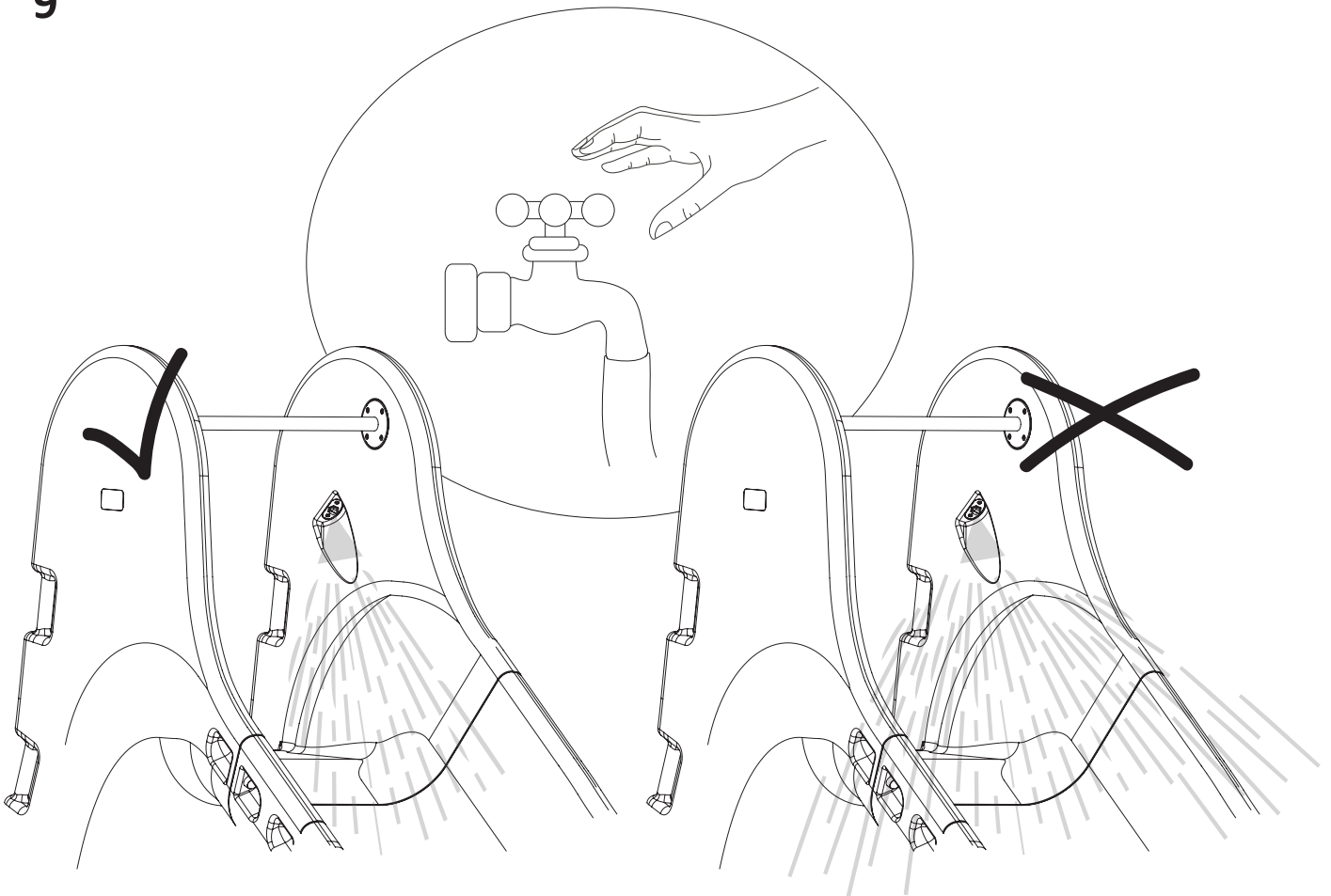
7



8



9



MANUFACTURER CONTACT

ABC ROTOMOLDEO

San Cristóbal 5

16440 Montalbo (Cuenca)

969 130 382

comercial@abcrotomoldeo.com

www.abcrotomoldeo.com