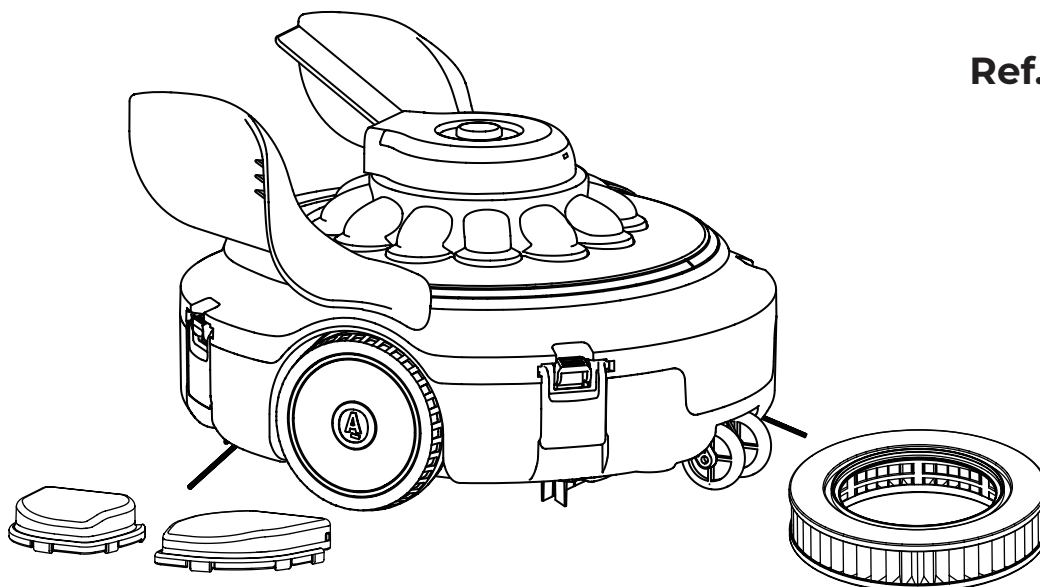




www.grepool.com

- ▶ EN RECHARGEABLE BATTERY ROBOT
- ▶ ES ROBOT A BATERÍA RECARGABLE
- ▶ FR ROBOT À BATTERIE RECHARGEABLE
- ▶ DE ROBOTER MIT WIEDERAUFLADBAREN BATTERIEN
- ▶ IT ROBOT A BATTERIA RICARICABILE
- ▶ NL ROBOT MET OPLAADBARE ACCU
- ▶ PT ROBOT COM BATERIA RECARREGÁVEL
- ▶ PL ROBOT-ODKURZACZ Z ZASILANIEM AKUMULATOROWYM
- ▶ CS ROBOT NABÍJECÍ BATERIE
- ▶ SK ROBOT NA NABÍJACIU BATÉRIU
- ▶ RO BATERIE REÎNCĂRCABILĂ SISTEM
- ▶ SV LADDNINGSBART ROBOTBATTERI



Ref. RBR120

Instruction Manual - Manual de Instrucciones - Manuel d'instructions  
- Bedienungsanleitung - Manuale delle istruzioni -  
Handleiding met instructies - Manual de instruções - Instrukcja obsługi  
Návod k použití - Návod na použitie - Manual de instrucțiuni -  
Návod k použití

DISTRIBUTED BY - DISTRIBUIDO POR - DISTRIBUÉ PAR- VERTRIEB DURCH - DISTRIBUITO DA - GEDISTRIBUEERD DOOR DISTRIBUÍDO POR -  
WYPRODUKOWANY PRZEZ - DISTRIBUIT DE - DISTRIBUERAD AV - DISTRIBUTER - DISTRIBUTER:  
**MANUFACTURAS GRE S.A. ARITZ BIDEA 57, BELAKO INDUSTRIALDEA 48100 MUNGIA (VIZCAYA) ESPAÑA® REG. IND.: 48-06762**  
MADE IN CHINA - FABRICADO EN CHINA - FABRIQUÉ AU CHINE - HERGESTELLT IN CHINA - PRODOTTO IN CHINA - GEPRODUCEERD IN CHINA  
- FABRICADO NA RPC - WYPRODUKOWANO W CHINACH - FABRICAT ÎN CÎNÉ - TILLVERKAD I CÍNÉ - PROIZVEDENO U CHINA - IZDELANO V  
KITAJSKEM

## SAFETY WARNING

When installing and using this electrical equipment, you should always follow the basic safety precautions. Please read the following carefully.

### **WARNING**

The robot is not a toy, and is operated by people older than 8 years age.

Any people who operates the cleaner, has to read the manual carefully before work it.

1. Appliances can be used by children of 8 years or older and by persons with reduced sensory or mental capabilities or lack of experience and knowledge if they have been given supervision or instruction concerning use of the appliance in a safe way and if they understand the risks involved.
2. Children should not play with the device.
3. The cleaning and maintenance to be carried out by the user should not be carried out by children. The cleaner is designed to clean the swimming pool.
4. Please use the original batteries and charger when using. Only charging it when the robot is power off.
5. Put the robot into a clean and dry place. Do not expose it under the sun, or close to explosive.
6. Do not close to the vacuum head when it is working, due to its suction power, especially for the human body, animals, hairs or clothes.
7. Do not disassemble the robot without professional guidance or notice from the authorized distributor or manufacturer.
8. Do not leak the lubricant oil, and it causes water polluted.
9. Stop to work the cleaner when there is anything wrong; Please contact with the authorized distributor or replace it to the original parts/accessories.
10. Robot working conditions:
  - 11.1 Maximum applicable water depth: 3 m (10 ft)
  - 11.2 Water temperature: 4°C (39.2°F) -35°C (95°F)

### **1. Charger**

1. Use the original charger provided only.
2. For indoor use only. The charger should not be used outdoor and not be exposed to rain, humidity, any liquid or heat.
3. Keep the charger out of children.
4. Never use the charger if any damage is found.
5. Do not handle the cleaner and charger with wet hands and bare feet, when charging the robot.
6. Disconnect the charger from power when not in use.
7. If the wire is damaged, it must be replaced by a new charger to avoid danger.
8. Make sure the cleaner and charger are totally dry before charging.
9. Charge the robot 5 hours prior to the first use. Normally cleaner can be operated about 75 minutes after fully charged.

### **2. Battery disposal**

1. The robot battery is a lithium battery, it must be disposed properly, please contact with your local authority for more information.
2. Never attempt to disassemble the lithium battery.
3. Remove all personal items such as rings, bracelets, necklaces and watches when unwiring a lithium battery from the vacuum unit.
4. The battery causes short circuit current, as well as severe burning when it is high enough.
5. Wear complete eye protection, gloves and protective clothing when removing the battery pack.
6. No smoking or sparkling flame near the robot, or, it may causes unknow gases.
7. If acid comes in contact with skin and clothing, wash immediately with plenty of soap and water.
8. If acid comes in contact with eyes, immediately flood eye with running cool water for at least 15 minutes. Get medical attention immediately.

**Above warning and cautions are not intended to incorporate all possible instances for risks and/or severe injury.** Pool owners should always exercise intensive caution and common sense when operating the robot.



# INSTRUCTION MANUAL

## ASSEMBLY

A: Floating foam.  
(Use it when climbing the slope difficultly, or when the machine is upside down)

B: Upper cover

C: Cartridge filter  
(ONLY assembling it while small micro dust cleaning needed)

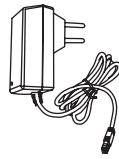
D: Filter

E: Bottom base

F: Charger

G: Hook

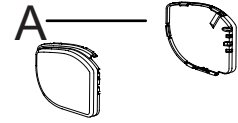
There is a rotation jet head at the upper cover, the water is passing from bottom to the jet head to make the robot moving. While facing obstacle, the jet head turns around 180 degrees, the robot rounds the obstacle and moving by another line. The rubbish is collected and installed by the bottom filter cabine.



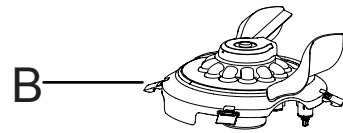
F



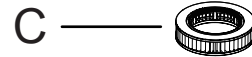
G



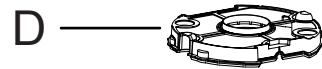
A



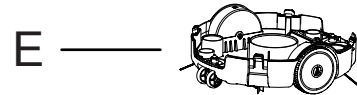
B



C

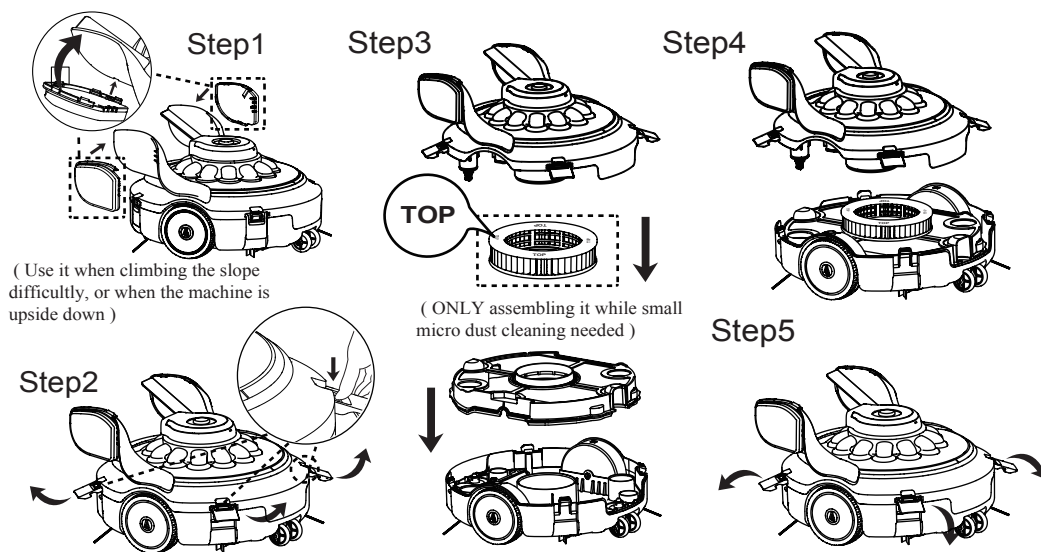


D



E

## ASSEMBLY AND OPERATION



### Charging warning:

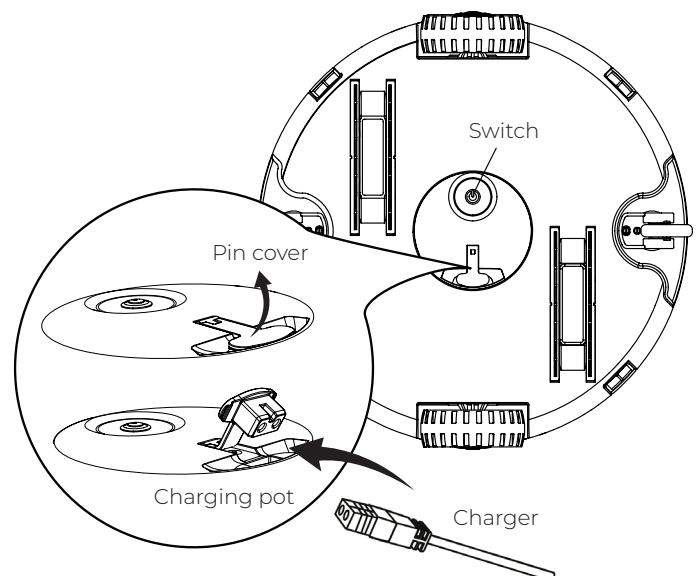
- Only use the external adapter and the charging cable provided.
- Make sure that the robot and charger ports are clean and dry before installation.
- Power up the robot before using it for the first time (about 5 hours)

1. Please turn off the robot before charging
2. Take the pin cover off before charging.
3. Plug the charger into the charging port, then start to charge.

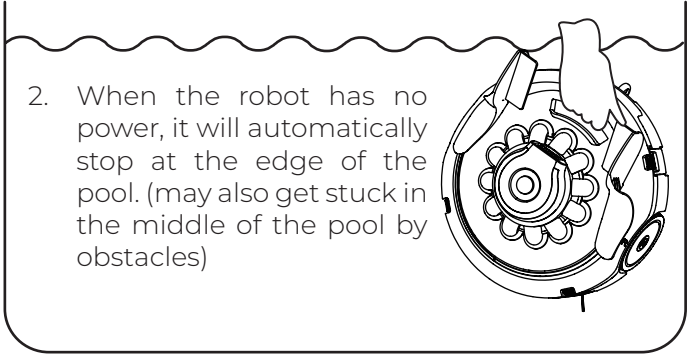
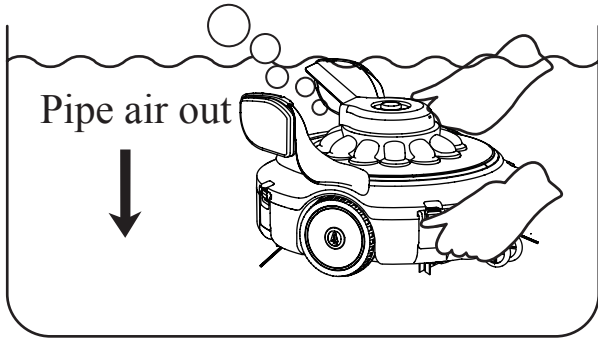
**Note:** Once the robot starts charging, the indicator light on the external adapter will turn red. When the robot is fully charged, the indicator light will turn green.

4. After charging, put the pin cover back on the charging port. Make sure that the pin cover is fully sealed before submerging in the water.

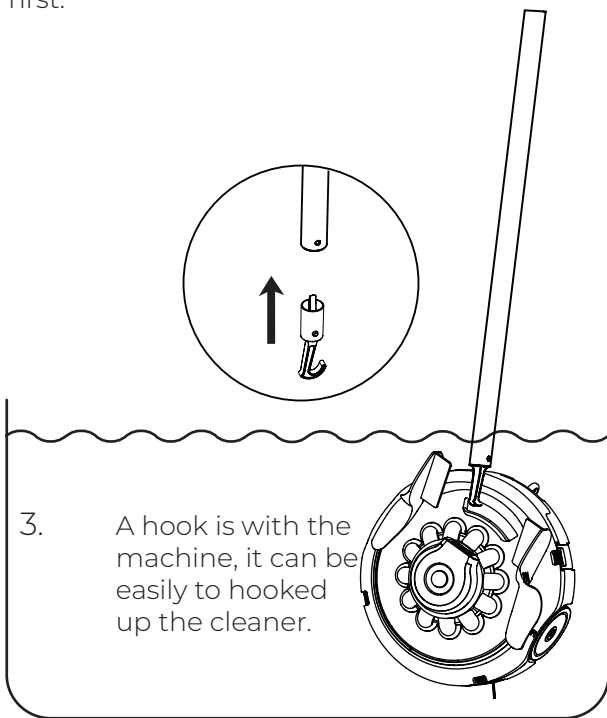
Bottom cover body assembly



**POWER ON**



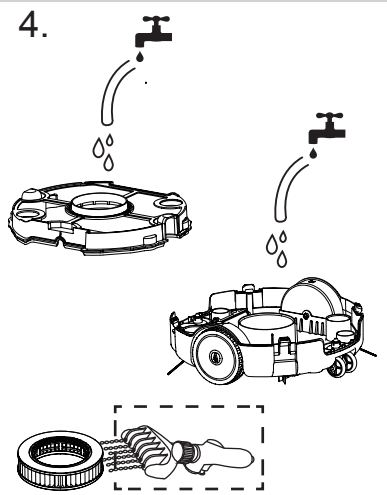
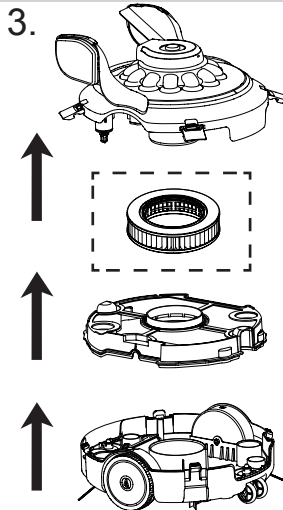
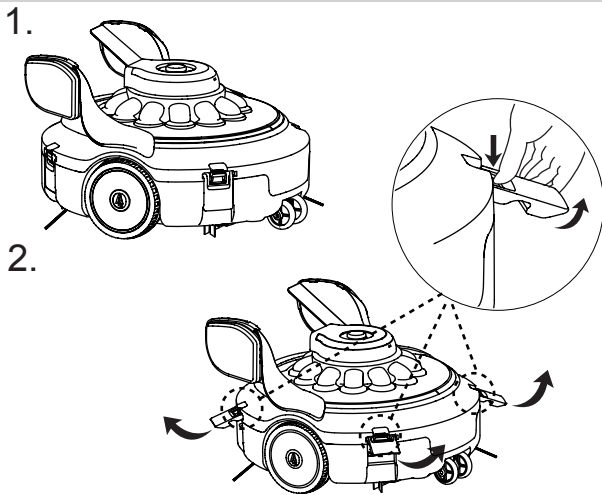
1. Turn on the switch, the indicator lights up, put the robot horizontally into the pool, and wait for the robot to sink freely down to the pool bottom, it takes around 20-30 seconds to pipe air out first.



**Note:**

1. It is recommended that the filtration system be turned off as the water circulation in the pool may affect the robot's motion mode.
2. Any obstacle in the swimming pool such as a ladder will affect the robot's crawling and cleaning track.
3. If you are using a brine tank, make sure that all the salt is dissolved before putting the robot into the water.

**GARBAGE DISPOSAL**



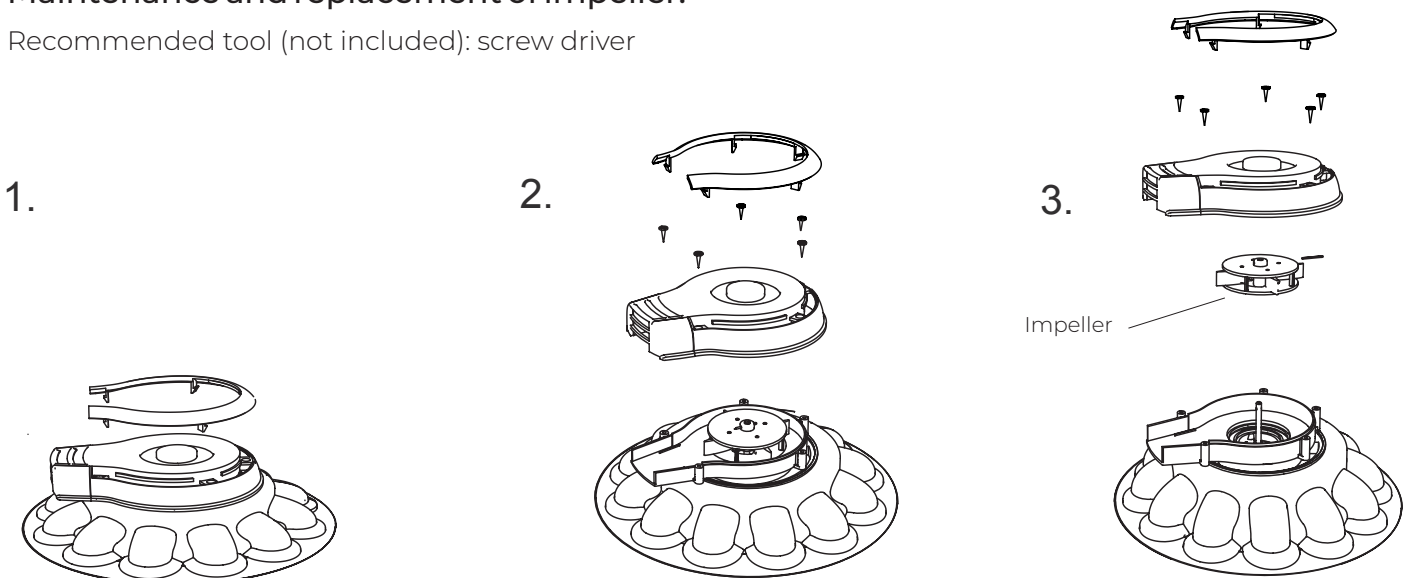
Filter cleaner (not included into)

## MAINTENANCE AND STORAGE

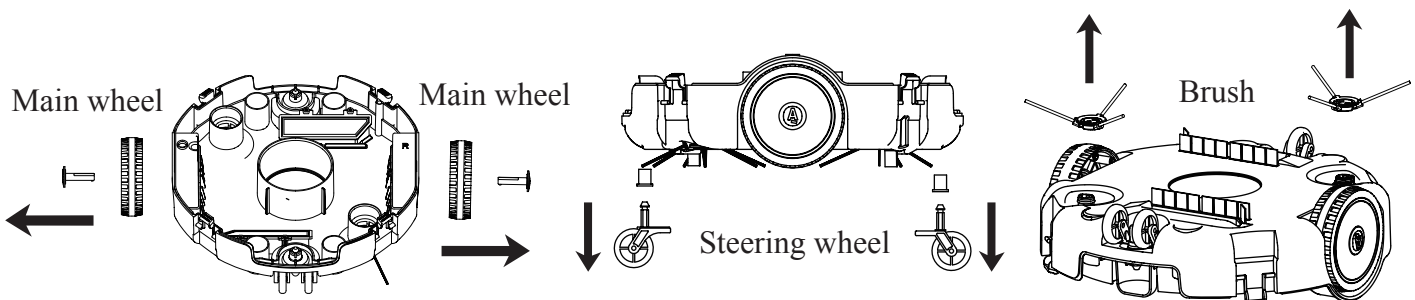
1. The battery discharges itself during storage. Make sure the robot is fully charged before storage.
  2. When not in use, you must recharge the battery at least every three months.
- Unplug the external adapter from the socket and then the charging cable from the external adapter and the robot.
  - Remove the attachment from the robot. If necessary, rinse the robot and accessories with clean water. Do not use detergent.
- Before storage, make sure the robot is drained.
  - Use a wet cloth to clean and dry the robot and its accessories.
  - Store in a well ventilated place away from sunlight, heat, fire sources, pool chemicals and children.
  - The storage environment temperature should be 10°C – 25°C (50 °F – 77°F).
- Note:** higher storage temperatures may shorten battery life.

### Maintenance and replacement of impeller:

Recommended tool (not included): screw driver



### Maintenance and replacement of the wheels:



**Note:** the main wheel on this side has magnets. Please contact your dealer for spare parts or maintenance work.

## BATTERY ASSEMBLY AND REPLACEMENT

### WARNING



Do not treat electrical appliances as unclassified municipal waste. Use separate collection facilities. For information on available collection systems, contact your local authorities.

- Do not remove the lithium battery without authorization.
- When removing the lithium battery from the vacuum device, please remove any rings, bracelets, necklaces or watch that you are wearing.
- The short-circuit current generated by a battery is enough to suck up rings (or similar items), which can cause severe burns.
- Before removing the battery pack, please wear eye protection, gloves and protective clothing.
- Be careful not to touch the wire or any metal parts, as this can cause sparks or a short circuit.

- Do not smoke or light naked flames near the robot, as this can set the battery on fire and give off gas.
- Avoid exposing the battery to fire or high temperatures, as this could cause an explosion.

#### Note!

If the battery leaks, avoid contact with the damaged battery and put it in a plastic bag.

If skin or clothing comes into contact with acid, wash immediately with plenty of soap and water.

If the eyes come into contact with acid, rinse them with water for at least 15 minutes and seek treatment from a doctor.

### Battery replacement:



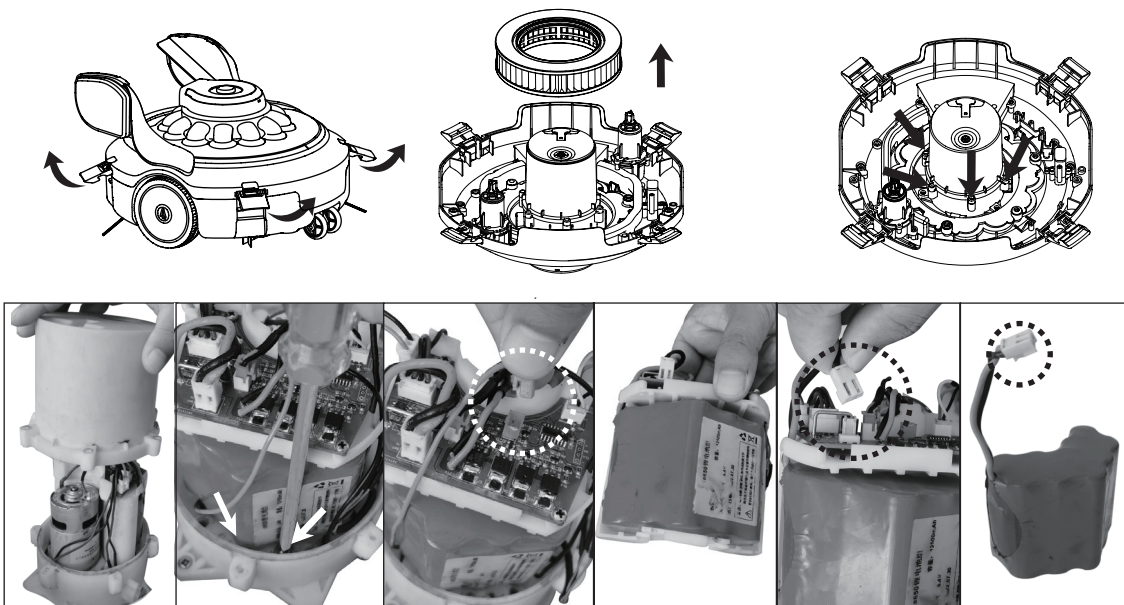
**Note:** User must consult dealer before any battery replacement.

1. Pull the four clips out of the core part of the upper cover outwards, remove it from the body assembly of the bottom cover and take out the micro-particle filter.
2. Use a screwdriver to remove all screws on the power cover of the bottom cover.
3. Open the battery cover, find the battery connection line, press the clip on the connector, pull it out and take out the battery.

4. Follow the steps for disassembly to re-install the battery and assemble the charging components. Note: (1) If there are impurities in the seal ring, clean it and put it back into the seal ring groove. (2) Make sure that the components are reassembled in the right direction. The six screw holes must be aligned to lock the screws.



**Note:** wrap the connector with insulating tape immediately to avoid a short circuit caused by two wire terminals coming into contact with each other.



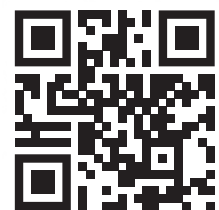
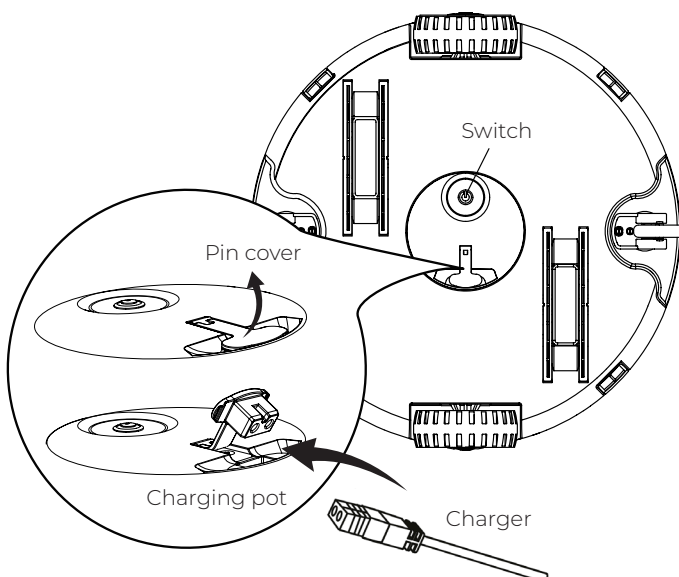
## TROUBLE SHOOTING

If you have problems with your cleaner, follow the troubleshooting steps below to restore performance.

**Note:** turn off the power before making any repairs.

PROBLEM	POSSIBLE CAUSES	SOLUTION
The robots fails to suck up debris.	The battery is low.	Then charge the robot.
	Impeller stuck.	Turn off the power supply of the robot and visually check whether the impeller rotates. If necessary, contact your dealer for further instructions. Warning! Before servicing the equipment, make sure that the robot is turned off.
	The impeller is damaged.	Please contact your dealer for replacement.
	The debris chamber is full.	Clean the glove box and filter cover.
The robot stops moving in the middle of the pool (the rotating head is still turning).	The robot was stopped by an obstacle.	Check the cleaner for obstructions. Remove obstacles.
	The robot has been blocked by the suction of the main pool floor drain.	Turn off the filtration system (see instructions in the manual).
	The ground is not totally flat	It takes more minutes before moving again or Make the bottom of the pool flat or trim the bottom brush strip. Contact your dealer for replacement parts.
The robot cannot cover the entire pool or move along the walls of the pool.	The debris chamber is full.	Clean the glove box and filter cover.
	The operation time was shorter than expected.	Clean the filter chamber and recharge the robot for 4-5 hours
	The water circulation generated by the filtration system interrupts the direction of movement.	Turn off the filtration system (see instructions in the manual).
	The wheel is stuck.	Check and remove debris from the wheels.
The robot moves slowly.	The debris chamber is full.	Clean the glove box and filter cover
The turning head does not rotate or is clearly rotating slowly.	The bottom of the swivel is stuck.	The glove box is full, check and remove any debris that may be stuck under the rotating head. It can be rotated by hand and rinsed with water until smooth.
	The debris chamber is full.	Clean the glove box and filter cover.

PROBLEM	POSSIBLE CAUSES	SOLUTION
Debris is being discharged from the robot.	The valve of the suction nozzle (bottom of the cleaner) is broken.	The baffle at the suction cup is like a door to prevent debris from getting out of the debris chamber. Contact your dealer for spare parts and instructions.
Debris enters the outside of the filter cover.	The filter cover is damaged.	Replace the filter cover with a new one. Please contact your dealer for spare parts.
If the charger's indicator light is red all the time, it cannot change to green for more than 8 hours.	Battery damaged	Please contact your dealer to replace the battery. Warning! Do not turn the robot on or replace the battery yourself. This can cause serious or fatal injury, so the warranty will not be valid.
If the charger's indicator light changes to green in a very short time, and the device also only works for a short time (i.e., half an hour, multiple checks must be performed).		
When the product starts to charge after it has been working, if the charger's indicator light is green all the time. (Make sure the charger cable is properly connected to the external adapter and robot).	Charger damaged	Contact your dealer for spare parts. Warning! Using the wrong external adapter will result in damage to the robot or battery, so the warranty will not be valid.
If the charger's indicator light is no longer displayed.		
Switch not working or out. *	There is rubbish around the sener or sener oxidataion.	Cleaning the senser by a paper, or a cloth, or a brush, as pics; or see video online.



YouTube



**GENERAL TERMS**

- In accordance with these provisions, the seller guarantees that the product corresponding to this guarantee ("the Product") is in perfect condition at the time of delivery.
- The Guarantee Term for the Product is two (2) years from the time it is delivered to the purchaser.
- In the event of any defect in the Product that is notified by the purchaser to the seller during the Guarantee Term, the seller will be obliged to repair or replace the Product, at his own cost and wherever he deems suitable, unless this is impossible or unreasonable.
- If it is not possible to repair or replace the Product, the purchaser may ask for a proportional reduction in the price or, if the defect is sufficiently significant, the termination of the sales contract.
- The replaced or repaired parts under this guarantee, will not extend the guarantee period of the original Product, but will have a separate guarantee.
- In order for this guarantee to come into effect, the purchaser must provide proof of the date of purchase and delivery of the Product.
- If, after six months from the delivery of the Product to the purchaser, he notifies a defect in the Product, the purchaser must provide proof of the origin and existence of the alleged defect.
- This Guarantee Certificate is issued without prejudice to the rights corresponding to consumers under national regulations.

**INDIVIDUAL TERMS**

- This guarantee covers the products referred to in this manual.
- This Guarantee Certificate will only be applicable in European Union countries.
- For this guarantee to be effective, the purchaser must strictly follow the Manufacturer's instructions included in the documentation provided with the Product, in cases where it is applicable according to the range and model of the Product.
- When a time schedule is specified for the replacement, maintenance or cleaning of certain parts or components of the Product, the guarantee will only be valid if this time schedule has been followed.

**LIMITATIONS**

- This guarantee will only be applicable to sales made to consumers, understanding by "consumer", a person who purchases the Product for purposes not related to his professional activities.
- The normal wear resulting from using the product is not guaranteed. With respect to expendable or consumable parts, components and/or materials, such as batteries, light bulbs, etc. the stipulations in the documentation provided with the Product, will apply.
- The guarantee does not cover those cases when the Product; (I) has been handled incorrectly; (II) has been repaired, serviced or handled by non- authorised people or (III) has been repaired or serviced not using original parts. In cases where the defect of the Product is a result of incorrect installation or start-up, this guarantee will only apply when said installation or start-up is included in the sales contract of the Product and has been conducted by the seller or under his responsibility.

**CROSSED-OUT WASTE CONTAINER**

- In order to reduce the amount of waste of electric and electronic apparatus, to reduce the danger of components, to encourage the reuse of apparatus, to assess waste and to set up a suitable waste treatment system, with the aim of improving the efficiency of environmental protection, a set of rules has been established applicable to the manufacture of the product and other rules regarding the correct environmental treatment when these products become waste.
- It is also intended to improve the environmental practices of all agents involved in electrical and electronic goods, including manufacturers, distributors, users and particularly those directly involved in the treatment of waste derived from these apparatus.
- From 13th August 2005, there are two ways of disposing of this apparatus:
- If you purchase a new equivalent apparatus or which has the same functions as the one you wish to dispose of, you can hand it over, free of charge, to the distributor when making your purchase.
- You can take it to local collection points.
- We shall cover waste treatment costs.
- The apparatus are labelled with a symbol of a "crossed-out waste container". This symbol means that the apparatus is subject to selected waste collection, different from general waste collection.
- Our products are designed and manufactured with top-quality, environmental-friendly materials and components, which can be reused and recycled. In spite of this, several parts of this product are not biodegradable and therefore it should not be left in the environment. For the correct recycling of this product, please completely detach the electrical motor from the rest of the filtration equipment.



## ADVERTENCIA DE SEGURIDAD

Cuando instale y utilice este dispositivo eléctrico, siga siempre las precauciones básicas de seguridad. Lea con detenimiento la siguiente información.

### ADVERTENCIA

El limpiafondos no es un juguete y debe manejarlo una persona mayor de 8 años.

Toda persona que maneje el limpiafondos debe leer el manual con detenimiento antes de utilizarlo.

1. Estos aparatos pueden ser utilizados por niños a partir de 8 años, personas con capacidad física, mental o sensorial reducida y personas con falta de experiencia o conocimientos, siempre que lo hagan bajo supervisión, hayan recibido las instrucciones de seguridad necesarias relativas a su uso y comprendan los riesgos asociados.
2. No debe permitirse a los niños jugar con el dispositivo.
3. Los niños no deben ocuparse de la limpieza y el mantenimiento que debe realizar el usuario. El limpiador está diseñado para limpiar la piscina.
4. Utilice solo las baterías y el cargador originales cuando lo utilice. Cargue la batería únicamente cuando el limpiafondos esté apagado.
5. Guarde el limpiafondos en un lugar limpio y seco. No lo exponga a la luz solar ni lo coloque cerca de explosivos.
6. No sitúe nada cerca de la tapa de aspirado cuando está en funcionamiento, debido a su potencia de succión, en especial partes del cuerpo, animales, cabello o prendas.
7. No desmonte el limpiafondos sin asistencia profesional o aviso del distribuidor autorizado o del fabricante.
8. No deje que se filtre el aceite lubricante, contamina el agua.
9. No utilice el limpiafondos si hay algún problema. Póngase en contacto con el distribuidor autorizado o sustituya con las piezas o accesorios originales.
10. Condiciones operativas del limpiafondos:
  - 11.1 Profundidad máxima del agua: 3 m (10 ft)
  - 11.2 Temperatura del agua: 4 °C (39,2 °F) - 35 °C (95 °F)

### 1. Cargador

1. Utilice únicamente el cargador original.
2. Uso exclusivo en interiores. El cargador no debe utilizarse en exteriores y no debe estar expuesto a la lluvia, a la humedad, a líquidos o al calor.
  1. Mantenga el cargador fuera del alcance de los niños.
  3. No utilice el cargador si detecta algún daño.
  4. No manipule el limpiafondos ni el cargador con las manos húmedas ni con los pies descalzos cuando el limpiafondos esté en carga.
  5. Desconecte el cargador de la corriente cuando no lo utilice.
  6. Si el cable está dañado, debe sustituirse por un cargador nuevo para evitar peligros.
  7. Asegúrese de que el limpiafondos y el cargador están completamente secos antes de la carga.
  8. Cargue el limpiafondos durante 5 horas antes del primer uso. Normalmente, el limpiafondos funciona unos 75 minutos cuando la batería está completamente cargada.

### 2. Retirada de la batería

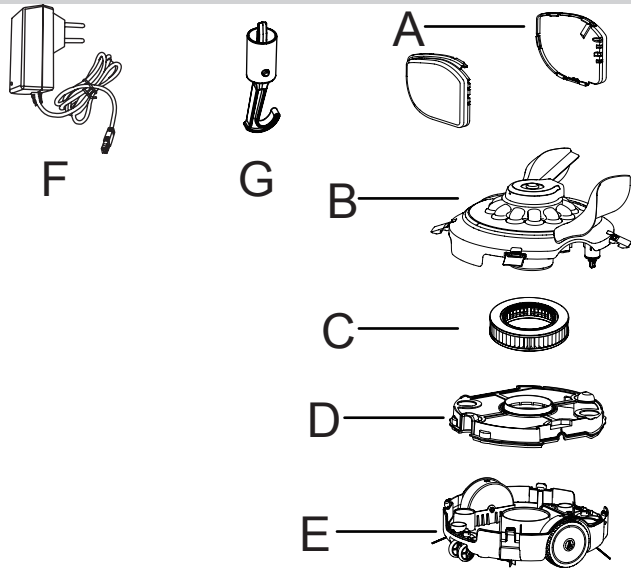
1. La batería del limpiafondos es de litio y se debe retirar de la forma adecuada; póngase en contacto con la administración local para más información.
2. Nunca trate de desmontar la batería de litio.
3. Quítese todos los accesorios, como anillos, pulseras, collares y relojes cuando suelte los cables de la batería de litio de la unidad de aspirado.
4. La batería causa un cortocircuito, así como quemaduras graves cuando es lo suficientemente fuerte.
5. Cuando extraiga el conjunto de baterías, protéjase con gafas, guantes y prendas adecuadas.
6. No fume ni encienda chispas ni llamas cerca del limpiafondos, porque puede causar gases desconocidos.
7. Si la piel o una prenda entran en contacto con el ácido, lávelas inmediatamente con abundante agua y jabón.
8. Si el ácido entra en contacto con los ojos, aclárelos inmediatamente con agua corriente y fresca durante al menos 15 minutos. Acuda a un servicio médico de inmediato.

**Las advertencias y las precauciones anteriores no pretenden ser exhaustivas ni recoger todos los supuestos de riesgos ni de lesiones graves.** Los propietarios de las piscinas o spa deben prestar en todo momento una atención plena y aplicar el sentido común al manejar el limpiafondos.

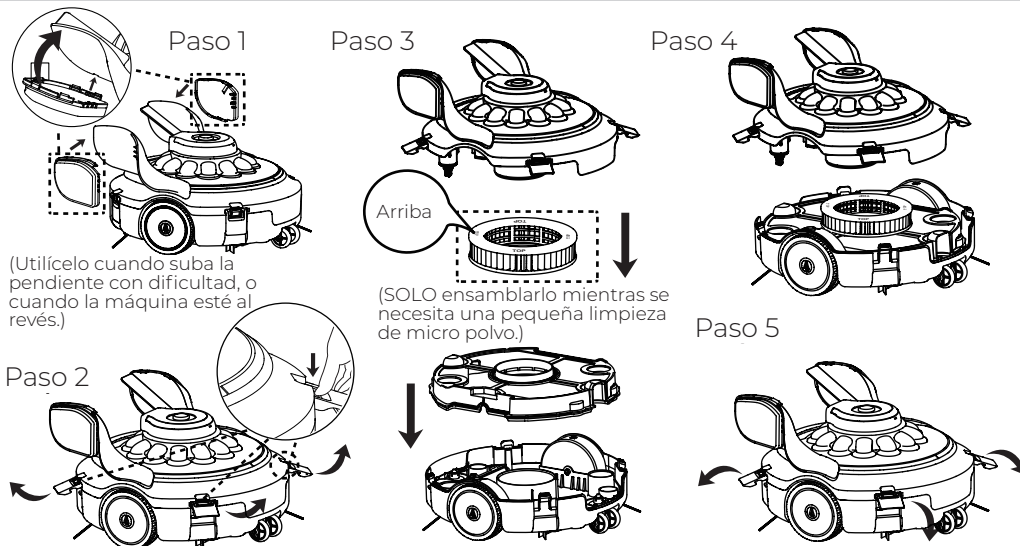
## MONTAJE

- A: Flotador
- B: Cubierta superior
- C: Filtro de cartucho (Montaje y limpieza SÓLO para micro polvo pequeño)
- D: Filtro
- E: Base inferior
- F: Cargador
- G: Gancho

El cabezal del chorro se encuentra en la cubierta superior. El agua pasa desde la parte inferior hasta el cabezal para que el robot avance. Cuando se encuentra con un obstáculo, el cabezal gira 180°, lo que hace que el robot esquive el obstáculo y se desplace por otra línea. El filtro inferior recoge y almacena los desperdicios en un recipiente.



## MONTAJE Y FUNCIONAMIENTO



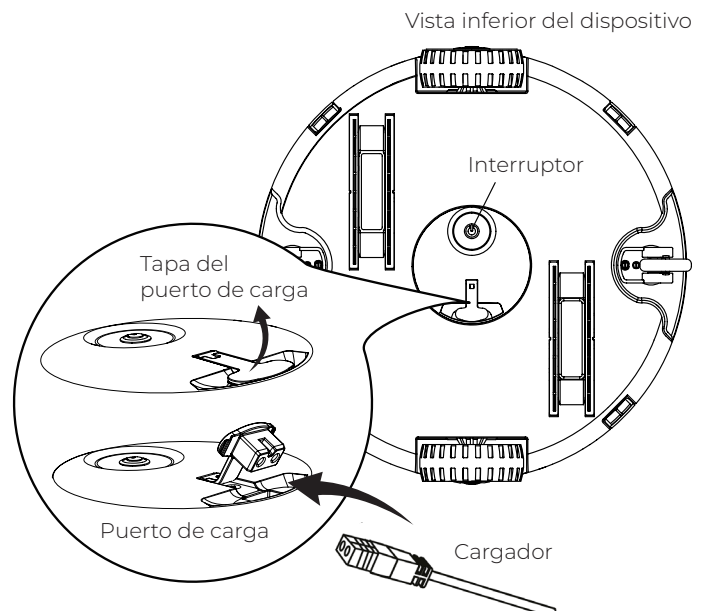
### Advertencia de carga:

- Utilice únicamente el adaptador externo y el cable de carga originales que acompañan al dispositivo.
- Asegúrese de que tanto el robot como los puertos de carga estén limpios y secos antes de la instalación.
- Cargue por completo la batería del robot antes de utilizarlo por primera vez (unas 8 horas).

1. Antes de cargar, retire la tapa del puerto de carga.
2. Enchufe el cargador al puerto de carga para empezar a cargar.

**Nota:** Cuando el robot empieza a cargar, se ilumina en rojo el piloto del adaptador externo. Cuando la batería esté prácticamente cargada, el indicador se ilumina en verde.

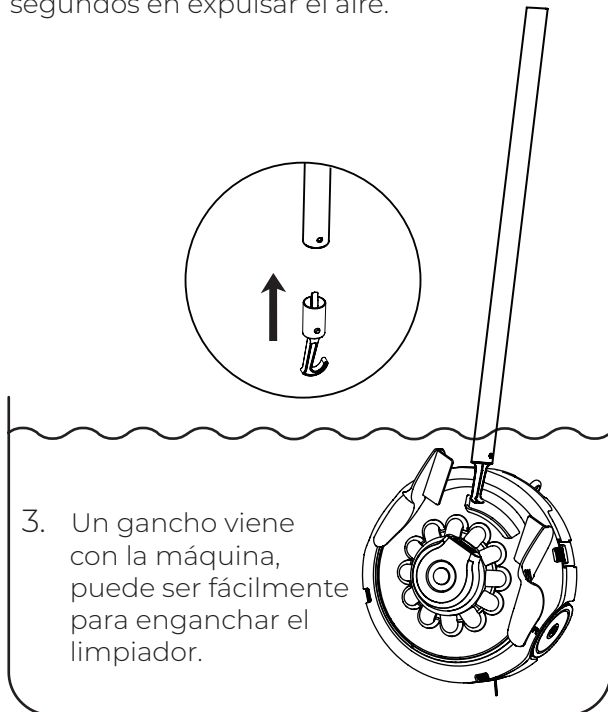
3. Cuando se haya terminado de cargar, vuelva a colocar la tapa en el puerto de carga y asegúrese de que esté bien cerrada antes de meter el dispositivo en el agua.



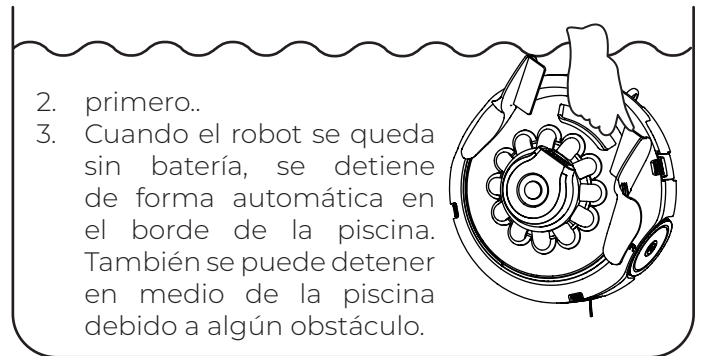
## ENCENDIDO



1. Encienda el interruptor, el indicador se ilumina, coloque el robot horizontalmente en la piscina, y espere a que el robot se hunda libremente hasta el fondo de la piscina, tarda unos 20-30 segundos en expulsar el aire.



3. Un gancho viene con la máquina, puede ser fácilmente para enganchar el limpiador.

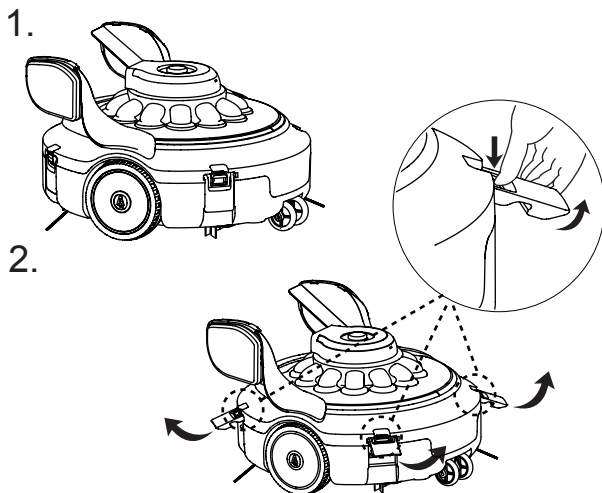


2. primero..
3. Cuando el robot se queda sin batería, se detiene de forma automática en el borde de la piscina. También se puede detener en medio de la piscina debido a algún obstáculo.

### Nota:

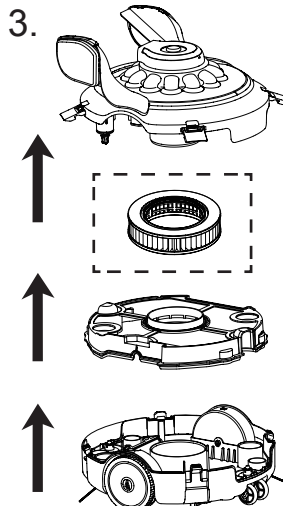
1. Es recomendable desactivar el sistema de filtrado de la piscina, ya que la circulación del agua en ella puede afectar al desplazamiento del robot.
2. Los obstáculos presentes en la piscina, por ejemplo las escaleras, afectarán al deslizamiento y al trazado de limpieza del robot.
3. Si utiliza un depósito de sal, cerciőrese de que se ha disuelto toda la sal antes de introducir el robot en el agua.

## RETIRADA DE DESPERDICIOS

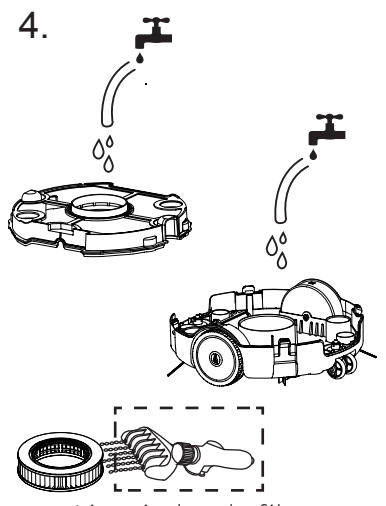


1.

2.



3.



4.

Limpiador de filtro  
(no incluido)

## MANTENIMIENTO Y ALMACENAJE

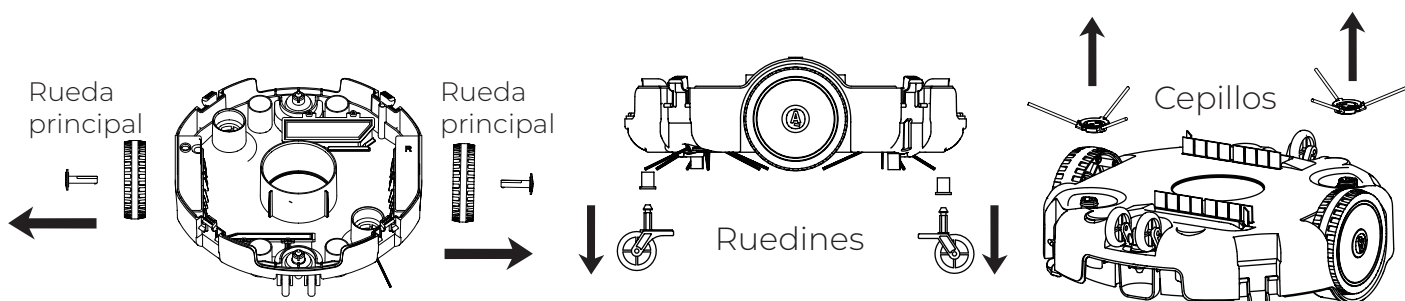
1. La batería se descarga sola cuando el dispositivo está guardado. Asegúrese de que el robot está completamente cargado antes de guardarlo.
  2. Recargue la batería al menos una vez cada tres meses aunque no utilice el dispositivo.
    - Desenchufe el adaptador externo de la toma y el cable de carga del adaptador externo y del robot.
    - Retire los accesorios del robot. Si es necesario, aclare el robot y sus accesorios con agua limpia. No utilice detergente.
    - Antes del almacenamiento, cerciórese de que el robot está drenado.
- Utilice un paño húmedo para limpiar el robot y los accesorios y séquelos.
  - Guárdelo en un lugar bien ventilado, protegido de la luz solar, del calor, de fuentes de ignición, de productos químicos de la piscina y de los niños.
  - La temperatura de almacenamiento debe estar entre los 10 °C y los 25 °C (50 °F – 77 °F)
- Nota:** Si la temperatura de almacenamiento es superior, la duración de la batería puede acortarse.

### Mantenimiento y sustitución del propulsor:

Herramienta recomendada (no incluida): destornillador



### Mantenimiento y sustitución de las ruedas:



**Nota:** la rueda principal tiene imanes en el lateral. Póngase en contacto con el distribuidor para la sustitución y el mantenimiento.

## MONTAJE Y REEMPLAZO DE LA BATERÍA

### ⚠ ADVERTENCIA



No deseche los aparatos eléctricos en contenedores generales de basura; llévelos a los puntos de reciclaje correspondientes. Si necesita más información sobre los sistemas de reciclaje disponibles, puede ponerse en contacto con el gobierno local .

- No saque la batería de litio sin autorización.
- Antes de retirar la batería de litio del dispositivo de aspiración, deberá quitarse cualquier anillo, pulsera, collar o reloj.
- La batería puede generar una corriente de cortocircuito suficientemente potente como para adsorber un anillo (o artículos similares) y causar quemaduras graves.
- Le recomendamos el uso de protección ocular, guantes y un equipo de protección para retirar el paquete de la batería.
- Aléjese del cable o de cualquier parte metálica, ya que se pueden generar chispas o un cortocircuito.
- No fume e intente no prender ninguna chispa o

llama cerca del limpiafondos, ya que la batería podría prender fuego y eso producirá gas.

- Evite exponer la batería al fuego o a temperaturas altas; de lo contrario podría explotar.

#### Importante:

En caso de una fuga en la batería, evite tocar la batería dañada y póngala en una bolsa de plástico. Si el ácido entra en contacto con la piel o la ropa, lávelas inmediatamente con abundante agua y jabón.

Si sus ojos entran en contacto con el ácido, acláreselos con agua durante al menos 15 minutos y acuda a un médico.

### Sustitución de la batería:

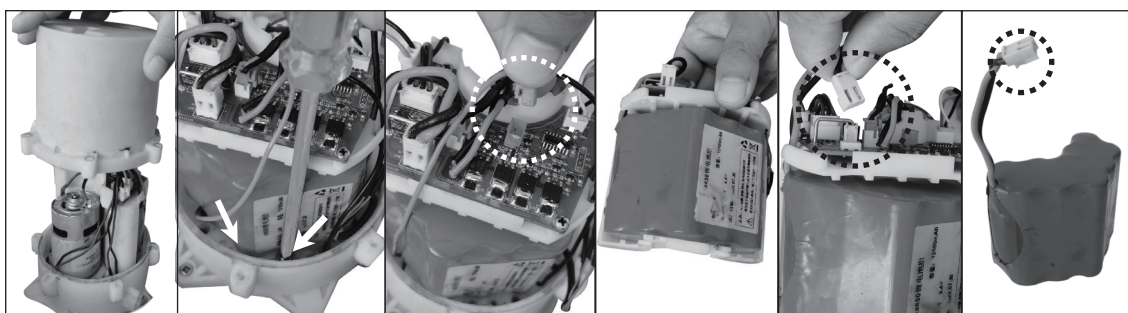
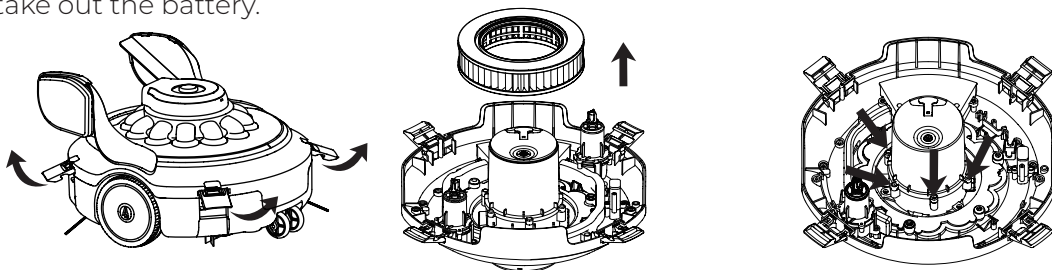


**Nota:** El usuario debe consultar al distribuidor antes de reemplazar la batería.

1. Abra las cuatro pestañas de la parte central de la cubierta superior y separe la estructura de la cubierta inferior. Extraiga el filtro de micropartículas.
2. Utilice un destornillador para aflojar todos los tornillos de la tapa de la batería situada en la cubierta inferior..
3. Abra la tapa de la batería, encuentre el cable de conexión de la batería, presione el clip del conector, desconéctelo y retire la batería.pull it out, and take out the battery.

4. Reinstale la batería y vuelva a montar las partes de carga de acuerdo con los pasos de desmontaje. **Importante:** (1) si encuentra impurezas en la junta tórica, límpiela y vuelva a instalarla en la ranura. (2) fíjese en la dirección del montaje. Los seis agujeros de los tornillos deben estar alineados para poder apretar los tornillos.

**Importante:** deberá recubrir inmediatamente el conector con cinta aislante con tal de evitar un cortocircuito producido por el contacto entre las dos conexiones.





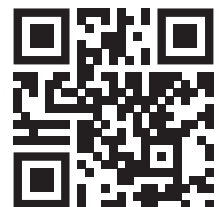
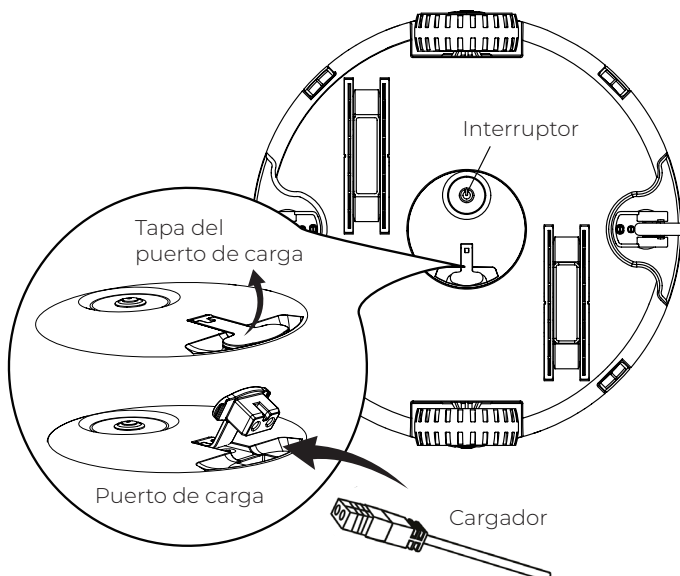
## RESOLUCIÓN DE PROBLEMAS

Si tiene problemas con el limpiafondos, siga estos pasos para recuperar su rendimiento.

**Nota:** apague el dispositivo antes de repararlo.

PROBLEMA	POSIBLES CAUSAS	SOLUCIÓN
El robot no atrapa los residuos.	La batería está baja.	Cargue la batería.
	El propulsor está obstruido.	Apague el robot y compruebe visualmente si el propulsor gira. Si necesita más indicaciones, póngase en contacto con su distribuidor. Advertencia: antes de revisar el dispositivo, asegúrese de que está apagado.
	Impeller damaged.	Póngase en contacto con el distribuidor para la sustitución.
	El compartimento está lleno.	Limpie el compartimento y la cubierta del filtro
El robot deja de moverse en medio de la piscina, pero el cabezal rotativo sigue girando.	El robot se ha detenido por un obstáculo.	Compruebe si el limpiafondos está obstruido. Retire los obstáculos.
	El robot está bloqueado por el sumidero de succión del fondo de la piscina.	Desactive el sistema de filtración (consulte el manual de instrucciones).
	El fondo no es completamente plano.	Necesita más minutos antes de volverse a mover o Alise el suelo o recorte la banda de escobillas inferior. Póngase en contacto con el distribuidor para las piezas de sustitución.
El robot no cubre la piscina completa o no se desplaza a lo largo de la pared de la piscina.	El compartimento está lleno.	Limpie el compartimento y la cubierta del filtro.
	El periodo operativo es más corto de lo previsto.	Limpie la cámara de filtrado y cargue la batería del robot durante 4 o 5 horas.
	La circulación del agua debida al sistema de filtrado interrumpe la dirección de desplazamiento	Desactive el sistema de filtración (consulte el manual de instrucciones).
	La rueda está atascada.	Compruebe si hay residuos en las ruedas y, si es así, retírelos.
El robot se mueve despacio.	El compartimento está lleno.	Limpie el compartimento y la cubierta del filtro.
El cabezal rotatorio no gira o lo hace claramente despacio.	El fondo basculante está atascado	El compartimento está lleno. Compruebe si debajo del cabezal rotatorio hay residuos y retírelos en ese caso. Se puede girar a mano y aclarar con agua hasta que se mueva con suavidad.
	El compartimento está lleno.	Limpie el compartimento y la cubierta del filtro.

PROBLEMA	POSIBLES CAUSAS	SOLUCIÓN
Los residuos salen del robot.	La válvula de la boquilla de succión (en la parte inferior del robot) está rota.	El deflector de la ventosa ejerce de puerta para evitar que los residuos salgan del compartimento. Póngase en contacto con el distribuidor para las piezas y las instrucciones de sustitución.
Los residuos pasan al exterior de la cubierta del filtro.	La cubierta del filtro está rota.	Sustituya la cubierta del filtro por una nueva. Póngase en contacto con el distribuidor para las piezas de sustitución.
Si el cargador muestra un piloto rojo y no cambia a verde en más de 8 horas.	La batería está dañada	Póngase en contacto con el distribuidor para sustituir la batería. Atención: no encienda el robot ni sustituya la batería por sí mismo. Puede causar lesiones graves o mortales, así que la garantía no será válida.
Si el cargador pasa a tener una luz verde en muy poco tiempo y el dispositivo también funciona solo durante un periodo breve (una media hora, necesita validación múltiple).		
Cuando el producto comience a cargar una vez terminado el trabajo, si el cargador muestra un piloto verde continuo. (Asegúrese de que el cable del cargador está conectado por completo y de forma correcta al adaptador externo y al robot).	El cargador está dañado	Póngase en contacto con el distribuidor para su sustitución. Atención: si utiliza un cargador externo incorrecto, puede dañar el robot o la batería y anular la garantía..
Si el cargador ya no se ilumina		
Al enchufarlo no funciona. *	Hay porquería u óxido alrededor del sensor.	Limpiar el sensor con un papel un paño o un cepillo, como en la foto, y ver el video online.



**YouTube**



## ASPECTOS GENERALES

- De acuerdo con estas disposiciones, el vendedor garantiza que el producto correspondiente a esta garantía ("el Producto") no presenta ninguna falta de conformidad en el momento de su entrega.
- El Período de Garantía para el Producto es de dos (2) años y se calculará desde el momento de su entrega al comprador.
- Si se produjera una falta de conformidad del Producto y el comprador lo notificase al vendedor durante el Periodo de Garantía, el vendedor deberá reparar o sustituir el Producto a su propio coste en el lugar donde considere oportuno, salvo que ello sea imposible o desproporcionado.
- Cuando no se pueda reparar o sustituir el Producto, el comprador podrá solicitar una reducción proporcional del precio o, si la falta de conformidad es suficientemente importante, la resolución del contrato de venta.
- Las partes sustituidas o reparadas en virtud de esta garantía no ampliarán el plazo de la garantía del Producto original, si bien dispondrán de su propia garantía.
- Para la efectividad de la presente garantía, el comprador deberá acreditar la fecha de adquisición y entrega del Producto.
- Cuando hayan transcurrido más de seis meses desde la entrega del Producto al comprador y éste alegue falta de conformidad de aquél, el comprador deberá acreditar el origen y la existencia del defecto alegado.
- El presente Certificado de Garantía no limita o prejuzga los derechos que correspondan a los consumidores en virtud de normas nacionales de carácter imperativo.

## CONDICIONES PARTICULARES

- La presente garantía cubre los productos a que hace referencia este manual.
- El presente Certificado de Garantía será de aplicación únicamente en los países de la Unión Europea.
- Para la eficacia de esta garantía, el comprador deberá seguir estrictamente las indicaciones del Fabricante incluidas en la documentación que acompaña al Producto, cuando ésta resulte aplicable según la gama y modelo del Producto.
- Cuando se especifique un calendario para la sustitución, mantenimiento o limpieza de ciertas piezas o componentes del Producto, la garantía sólo será válida cuando se haya seguido dicho calendario correctamente.

## LIMITACIONES

- La presente garantía únicamente será de aplicación en aquellas ventas realizadas a consumidores, entendiéndose por "consumidor", aquella persona que adquiere el Producto con fines que no entran en el ámbito de su actividad profesional.
- No se otorga ninguna garantía respecto del normal desgaste por uso del producto. En relación con las piezas, componentes y/o materiales fungibles o consumibles como pilas, bombillas etc., se estará a lo dispuesto en la documentación que acompañe al Producto, en su caso.
- La garantía no cubre aquellos casos en que el Producto: (I) haya sido objeto de un trato incorrecto; (II) haya sido reparado, mantenido o manipulado por persona no autorizada o (III) haya sido reparado o mantenido con piezas no originales.
- Cuando la falta de conformidad del Producto sea consecuencia de una incorrecta instalación o puesta en marcha, la presente garantía sólo responderá cuando dicha instalación o puesta en marcha esté incluida en el contrato de compra-venta del Producto y haya sido realizada por el vendedor o bajo su responsabilidad.



## CONTENEDOR DE BASURA CON RUEDAS TACHADO

- Con objeto de reducir la cantidad de residuos de aparatos eléctricos y electrónicos, la peligrosidad de los componentes, fomentar la reutilización de los aparatos, la valorización de sus residuos y determinar una gestión adecuada tratando de mejorar la eficacia de la protección ambiental, se establecen una serie de normas aplicables a la fabricación del producto y otras relativas a la correcta gestión ambiental cuando se conviertan en residuo.
- Así mismo, se pretende mejorar el comportamiento ambiental de todos los agentes que intervienen en el ciclo de vida de los aparatos eléctricos y electrónicos, como son los productores, los distribuidores, los usuarios y en particular, el de aquellos agentes directamente implicados en la gestión de los residuos derivados de estos aparatos.
- A partir del 13 Agosto de 2005 cuando usted quiera desechar este aparato, tiene dos posibles sistemas de devolución:
- Si adquiere uno nuevo que sea de tipo equivalente o realice las mismas funciones que el que desecha, podrá entregarlo, sin coste, en el acto de la compra al distribuidor.
- Podrá llevarlo al sitio que destinen las diferentes entidades locales.
- Nosotros nos haremos cargo de los costes de gestión.
- Los aparatos van etiquetados con el símbolo de un "contenedor de basura con ruedas tachado", este símbolo es indicativo de la necesaria recogida selectiva y diferenciada del resto de las basuras urbanas.
- Nuestros productos están diseñados y fabricados con materiales y componentes de alta calidad, respetuosos con el medio ambiente, que pueden ser reutilizables y reciclados. Aun así, las diferentes partes que componen este producto no son biodegradables, por lo que no se deben abandonar en el medio ambiente. Se debe de reciclar por separado, para ello separar el motor eléctrico del resto del equipo de filtración.

## CONSIGNES DE SÉCURITÉ

### **AVERTISSEMENT**

Le nettoyeur n'est pas un jouet et seules les personnes âgées de plus de 8 ans peuvent l'utiliser. Avant de manipuler le nettoyeur, il est nécessaire de lire attentivement le manuel d'utilisation.

1. Cet appareil peut être utilisé par les enfants de plus de 8 ans et les personnes dont les capacités sensorielles ou mentales sont réduites ou qui n'ont ni expérience ni connaissances, à condition qu'elles soient surveillées ou qu'elles sachent utiliser l'appareil en toute sécurité, et qu'elles comprennent les risques encourus.
2. Les enfants ne doivent pas jouer avec l'appareil.
3. Le nettoyage et l'entretien ne doivent pas être effectués par des enfants. Le nettoyeur a été conçu pour nettoyer la piscine.
4. Chargez la batterie uniquement lorsque le nettoyeur est éteint. Utilisez la batterie et le chargeur d'origine.
5. Conservez le nettoyeur dans un lieu propre et sec. Ne pas l'exposer au rayonnement solaire et ne pas le placer près d'explosifs.
6. Ne rien placer près du couvercle d'aspiration lorsque l'appareil est en marche en raison de sa puissance de succion, en particulier des parties du corps, animaux, cheveux ou vêtements.
7. Ne pas démonter le nettoyeur sans une assistance professionnelle ou les indications du distributeur autorisé ou du fabricant.
8. Empêchez la filtration de l'huile lubrifiante étant donné qu'elle pollue l'eau.
9. N'utilisez pas le nettoyeur en cas de problème. Contactez le distributeur autorisé ou remplacez avec les pièces ou accessoires originaux.
10. Conditions opérationnelles du nettoyeur :
  - 11.1 Profondeur maximale de l'eau : 40 - 300cm.
  - 11.2 température de l'eau : 4°C (39.2°F) - 35°C (95°F)

#### **1. Câble USB**

1. Le chargeur USB ne doit être utilisé qu'avec une tension de sortie de 5 V.
2. Usage exclusif en intérieur. Le chargeur ne doit pas être utilisé à l'extérieur ni exposé à la pluie, l'humidité, les liquides ou la chaleur.
3. Maintenir le chargeur hors de portée des enfants.
4. Ne pas utiliser le chargeur si un dommage a été détecté.
5. Ne pas manipuler le nettoyeur ni le chargeur avec les mains humides ni avec les pieds nus quand ce dernier est en charge.
6. Débrancher le chargeur lorsqu'il n'est pas utilisé.
7. Si le câble USB est endommagé, vous devez le remplacer pour éviter tout danger.
8. Vérifiez que le nettoyeur, le câble USB et le chargeur sont complètement secs avant de mettre l'appareil en charge.
9. Chargez le nettoyeur pendant 5 heures avant la première utilisation. Normalement, vous pouvez utiliser le nettoyeur 30 minutes après sa charge complète.

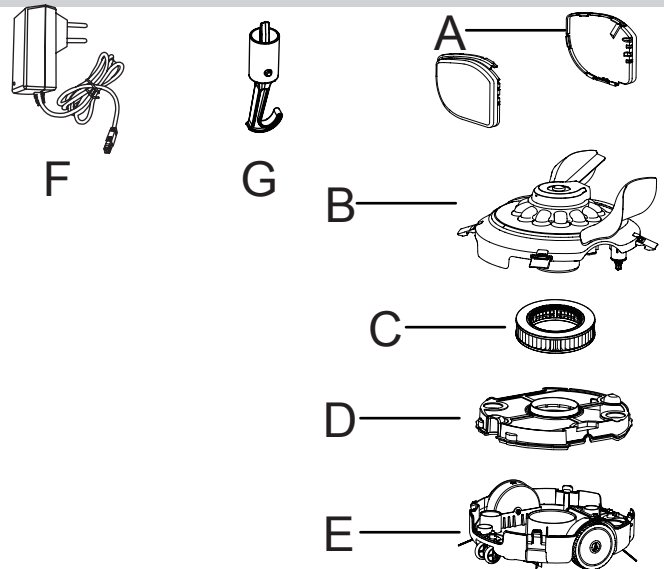
#### **2. Retrait de la batterie**

1. La batterie du nettoyeur est au lithium et doit être retirée correctement : Pour plus d'informations, contactez l'administration locale.
2. N'essayez jamais de démonter la batterie au lithium.
3. Retirer tous les accessoires tels que bagues, bracelets, colliers et montres quand vous lâchez les câbles de la batterie au lithium de l'unité d'aspiration.
4. La batterie provoque un court-circuit ainsi que des brûlures graves lorsqu'elle est assez forte.
5. Lorsque vous retirez la batterie, protégez-vous avec des lunettes, des gants et des vêtements appropriés.
6. Ne pas fumer ni allumer d'étincelles ou de flammes à proximité du nettoyeur, car cela peut provoquer des gaz inconnus.
7. Si la peau ou les vêtements entrent en contact avec un acide, il faudra laver immédiatement avec beaucoup d'eau et de savon.
8. En cas de contact de l'acide avec les yeux, rincez-les immédiatement avec de l'eau fraîche pendant au moins 15 minutes. Rendez-vous immédiatement dans un service médical. If acid comes in contact with eyes, immediately flood eye with running cool water for at least 15 minutes. Get medical attention immediately.

**Les avertissements et précautions précédents ne sont pas exhaustifs et ils ne comprennent pas toutes les hypothèses de risque ou de blessures graves.** Les propriétaires des piscines ou spas doivent à tout moment être pleinement attentifs et faire preuve de bon sens lorsqu'ils utilisent le nettoyeur.

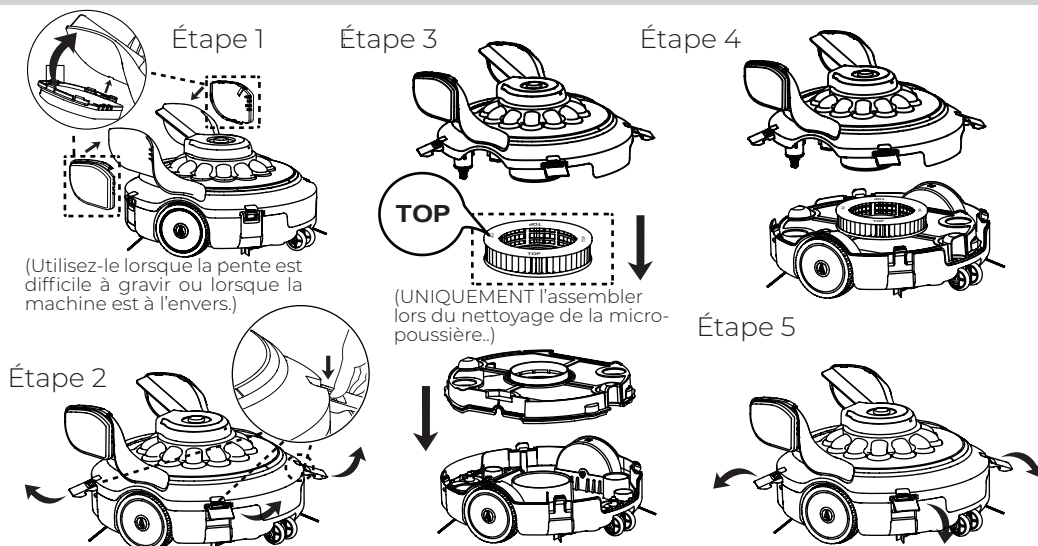
## MONTAGE

- A: Flotteur  
 B: Couvercle supérieur  
 C: Cartridge filter (Assemblage et nettoyage pour les micro-poussières SEULEMENT)  
 D: Filtre  
 E: Base inférieure  
 F: Chargeur  
 G: Crochet



La tête de jet est située sur le couvercle supérieur. L'eau passe depuis la partie inférieure jusqu'à la tête pour que le robot avance. Face à un obstacle, la tête tourne de 180°, ce qui permet au robot de l'éviter et de se déplacer sur une autre ligne. Le filtre inférieur collecte et stocke les déchets dans un récipient.

## MONTAGE ET FONCTIONNEMENT



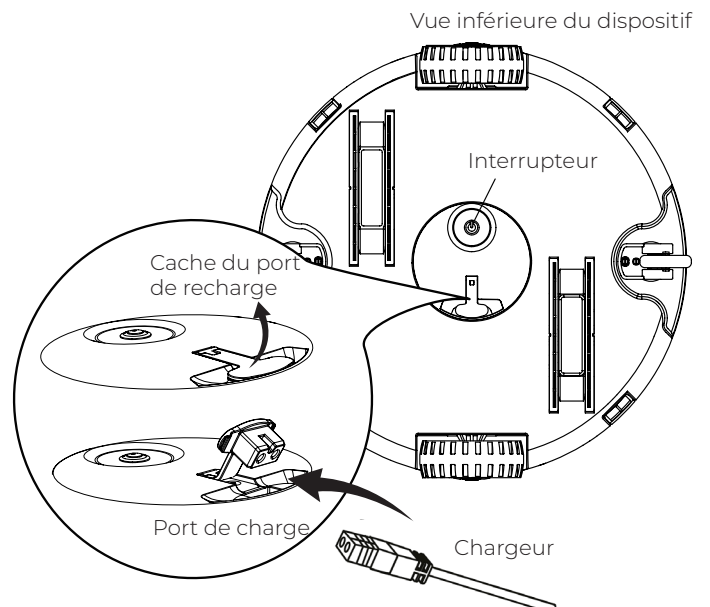
### Avertissement de charge:

- Utilisez uniquement l'adaptateur externe et le câble de charge d'origine qui accompagnent le dispositif.
- Vérifiez que le robot et les ports de charge sont propres et secs avant l'installation.
- Chargez complètement la batterie du robot avant de l'utiliser pour la première fois (environ 8 heures)

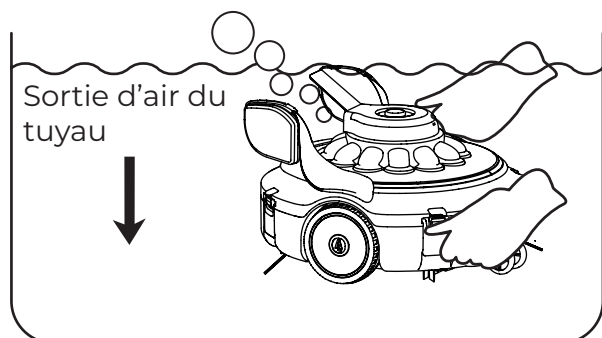
1. Enlevez le cache du port de recharge pour recharger la batterie.
2. Branchez le chargeur sur le port de recharge, puis lancez la charge.

**Remarque :** Lorsque le robot commence à charger, le témoin de l'adaptateur externe s'illumine en rouge. Quand la batterie est quasiment chargée, le témoin s'illumine en vert.

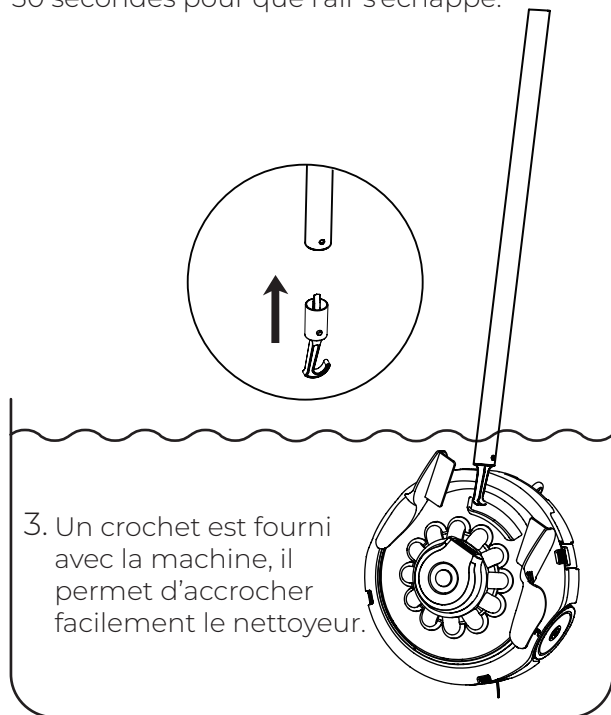
3. Une fois l'instrument chargé, remplacez le cache sur le port de recharge et vérifiez qu'il est bien fermé avant de mettre l'instrument dans l'eau.



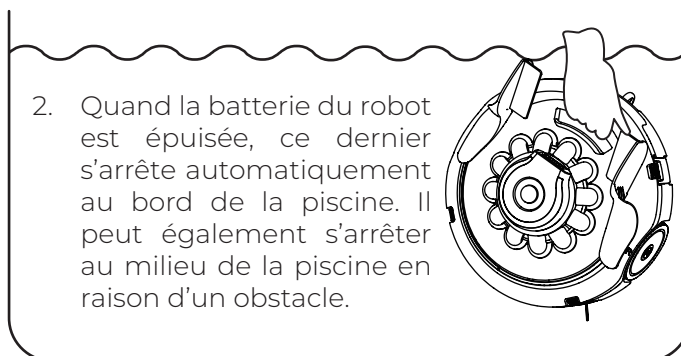
## MISE EN SERVICE



1. Mettez l'interrupteur en marche, l'indicateur s'allume, placez le robot horizontalement dans la piscine et attendez qu'il s'enfonce librement jusqu'au fond de la piscine. Il faut environ 20 à 30 secondes pour que l'air s'échappe.



3. Un crochet est fourni avec la machine, il permet d'accrocher facilement le nettoyeur.

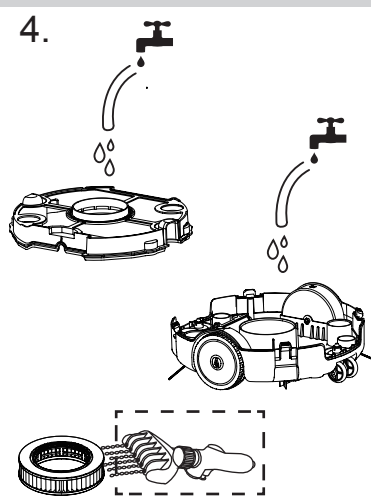
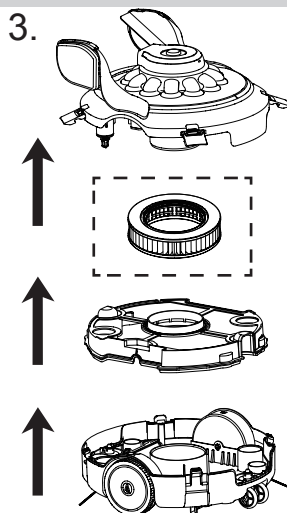
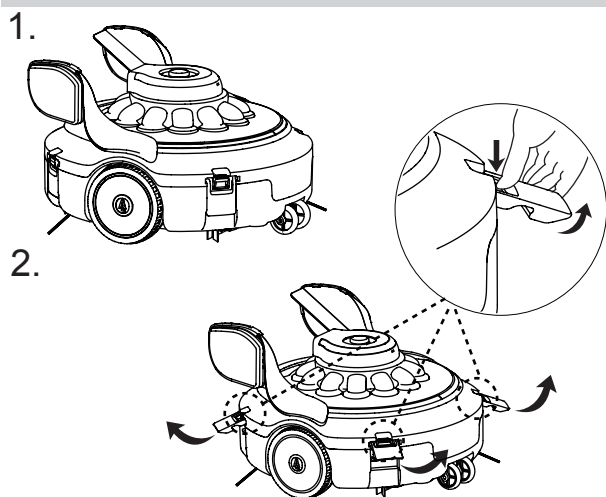


2. Quand la batterie du robot est épuisée, ce dernier s'arrête automatiquement au bord de la piscine. Il peut également s'arrêter au milieu de la piscine en raison d'un obstacle.

### Remarque :

1. Il est recommandé de désactiver le système de filtration de la piscine, étant donné que la circulation de l'eau peut compliquer le déplacement du robot.
2. Les possibles obstacles présents dans le bassin, notamment les échelles, peuvent nuire au glissement et au tracé de nettoyage du robot.
3. Si vous utilisez un réservoir à sel, vérifiez que tout le sel est dissout avant d'introduire le robot dans l'eau.

## RETRAIT DES DÉCHETS



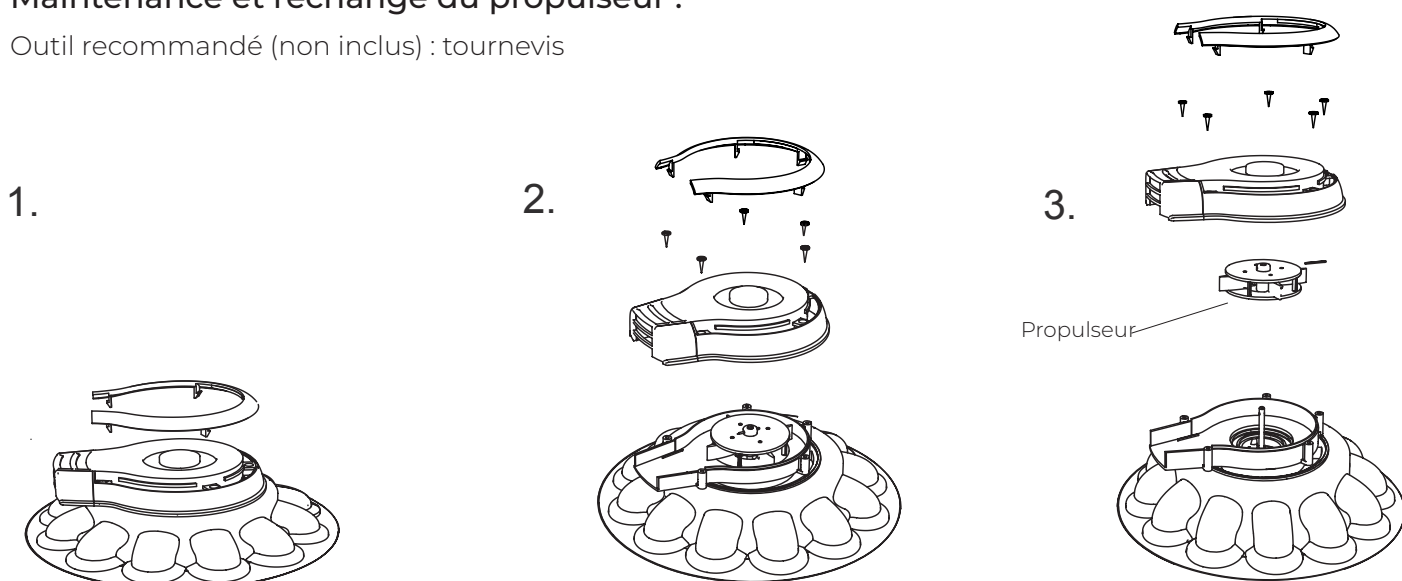
Nettoyeur de filtre  
(non inclus dans)

## MAINTENANCE ET STOCKAGE

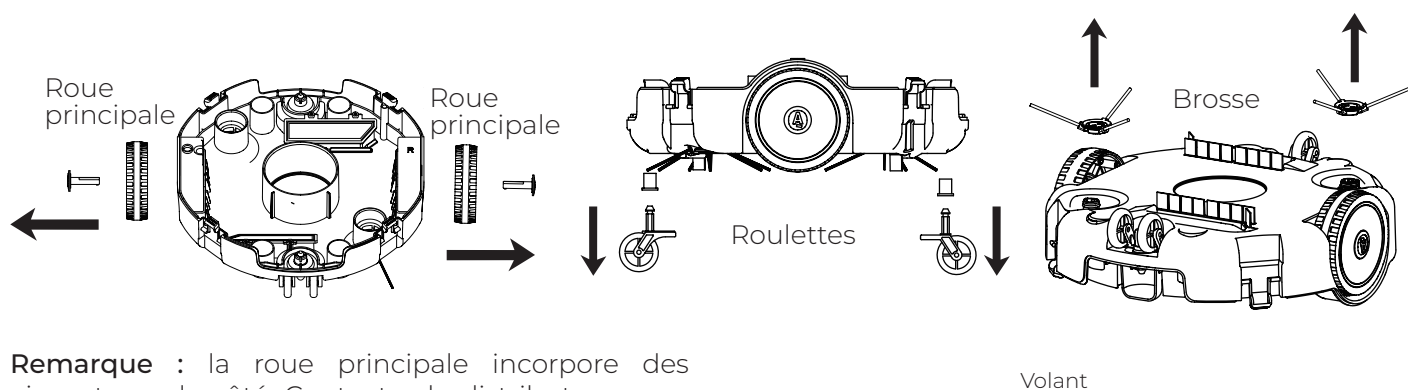
1. La batterie se décharge seule lorsque l'appareil est rangé. Vérifiez que le robot soit complètement chargé avant de le ranger.
  2. Rechargez la batterie au moins une fois tous les trois mois même si vous n'utilisez pas le dispositif.
    - Débranchez l'adaptateur externe de la prise et le câble de charge de l'adaptateur externe et du robot.
    - Retirez les accessoires du robot. Si besoin, rincez le robot et ses accessoires avec de l'eau propre. N'utilisez pas de détergent.
    - Avant son stockage, vérifiez que le robot soit drainé.
    - Utilisez un chiffon humide pour nettoyer le robot et les accessoires et séchez-les.
    - Rangez-le dans un emplacement bien aéré, protégé du rayonnement solaire, de la chaleur, de sources d'ignition, des produits chimiques de la piscine et hors de portée des enfants.
    - La température de stockage doit être comprise entre 10 °C et 25 °C (50 °F – 77 °F).
- Remarque :** si la température de stockage est supérieure, la durée de la batterie peut être raccourcie.

### Maintenance et rechange du propulseur :

Outil recommandé (non inclus) : tournevis



### Montage et rechange de la batterie :



**Remarque :** la roue principale incorpore des aimants sur le côté. Contactez le distributeur pour leur rechange et leur maintenance.



## ASSEMBLAGE ET REMPLACEMENT DE LA BATTERIE

### ⚠ AVERTISSEMENT

Ne jetez pas les appareils électriques dans les ordures ménagères, utilisez les installations de collecte sélective. Pour plus d'informations sur les systèmes de collecte disponibles, contactez les autorités locales.

- N'enlevez pas la batterie au lithium sans autorisation.
- Avant d'enlever la batterie au lithium de l'appareil aspirateur, retirez vos bagues, bracelets, colliers et montres.
- Le courant de court-circuit généré par la batterie est suffisant pour faire fondre un bijou et causer des brûlures graves.
- Avant d'enlever le bloc de batterie, mettez des lunettes, des gants et des vêtements de protection.
- Veillez à ne pas toucher le câble ni aucune partie en métal, sous peine de provoquer des étincelles ou un court-circuit.
- Ne fumez pas et n'approchez pas de flammes ni d'étincelles près du nettoyeur, sous peine d'enflammer la batterie et de produire du gaz.
- N'exposez pas la batterie au feu ni à des

températures élevées, cela risquerait de provoquer une explosion.

#### Remarque :

En cas de fuite de la batterie, évitez tout contact avec la batterie endommagée et mettez-la dans un sac en plastique.

Si votre peau ou des vêtements entrent en contact avec l'acide, rincez immédiatement à grande eau savonneuse.

Si les yeux entrent en contact avec l'acide, rincez-les à grande eau pendant au moins 15 minutes, puis consultez un médecin.

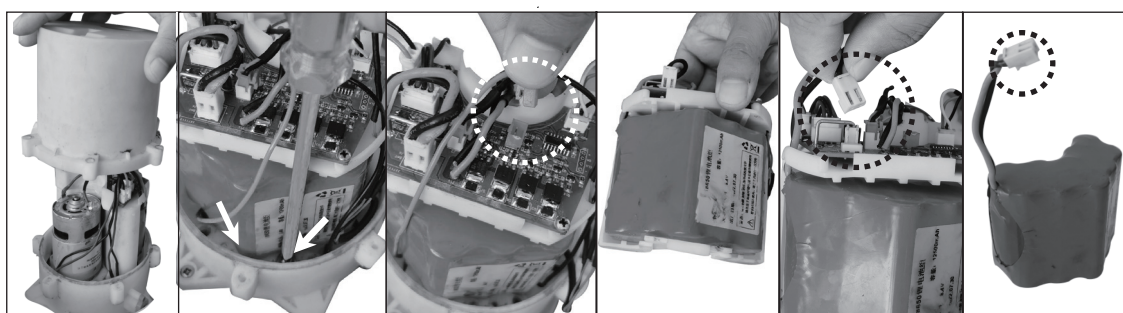
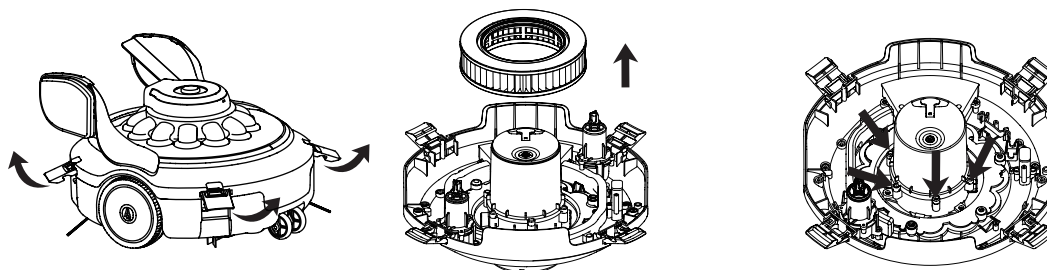
### Rechange de la batterie :

**Remarque :** L'utilisateur doit consulter le revendeur avant de changer la batterie.

1. Tirez sur les quatre clips de la partie supérieure, retirez cette dernière de la partie inférieure et enlevez le filtre à microparticules.
2. À l'aide d'un tournevis, enlevez toutes les vis du couvercle de la batterie situé sur la partie inférieure.
3. Retirez le couvercle de la batterie, appuyez sur le clip situé sur le connecteur pour débrancher les câbles de raccordement de la batterie et enlevez la batterie.

4. Suivant les étapes de désassemblage, réinstallez la batterie et assemblez les pièces de charge.  
Remarque : (1) Si le joint d'étanchéité contient des impuretés, nettoyez-le et remettez-le en place dans la rainure annulaire. (2) Suivez les instructions de montage. Les six orifices des vis doivent être alignés pour visser les vis.

**Note:** Remarque : placez immédiatement du ruban isolant sur le connecteur afin d'éviter les courts-circuits provoqués par le contact entre deux bornes de connexion.



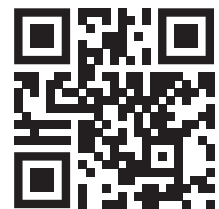
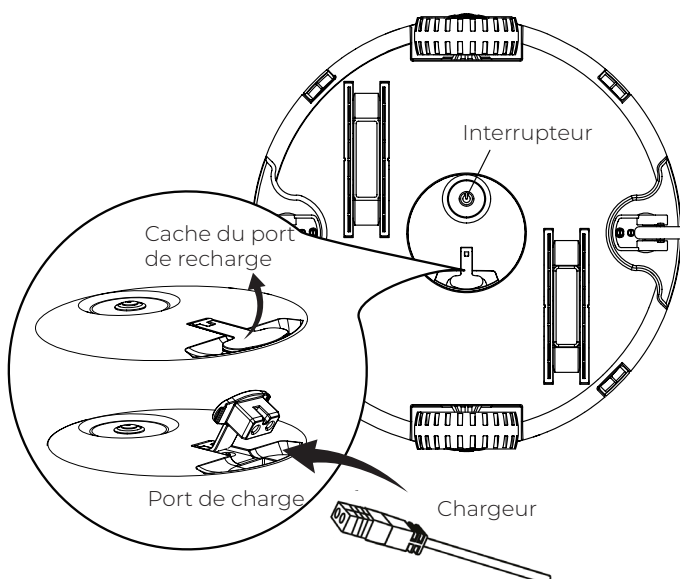
## RÉSOLUTION DE PROBLÈMES

Si vous avez des problèmes avec le nettoyeur, suivez les étapes ci-dessous pour récupérer son rendement habituel. **Attention** : éteignez l'appareil avant de le réparer.

PROBLÈME	POSSIBLES CAUSES	SOLUTION
Le robot n'attrape pas les déchets.	Batterie faible.	Chargez la batterie.
	Propulseur bouché.	Éteignez le robot et vérifiez visuellement si le propulseur tourne. Si vous avez besoin d'instructions supplémentaires, veuillez contacter votre distributeur. Attention : avant de vérifier l'appareil, assurez-vous qu'il est éteint.
	Propulseur endommagé.	Contactez le distributeur pour procéder à son rechange.
	Compartiment plein.	Nettoyez le compartiment et le couvercle du filtre.
Le robot cesse de se déplacer au milieu du bassin, mais la tête rotative continue de tourner.	Le robot s'est arrêté en raison d'un obstacle.	Vérifiez si le nettoyeur est bouché. Retirez les obstacles.
	Le robot est bloqué dans l'orifice de succion du fond du bassin.	Désactivez le système de filtration (consultez le manuel d'instructions).
	Le fond n'est pas complètement plat.	Il a besoin de davantage de minutes pour bouger à nouveau ou bien lissez le sol ou découpez la bande inférieure des balais. Contactez le distributeur pour obtenir les pièces de rechange nécessaires.
Le robot ne couvre pas la totalité du bassin ou il ne se déplace pas le long de la paroi de la piscine.	Le compartiment est plein.	Nettoyez le compartiment et le couvercle du filtre.
	La période de fonctionnement est plus courte que d'habitude.	Nettoyez la chambre de filtration et chargez la batterie du robot pendant 4 ou 5 heures.
	La circulation de l'eau en raison du système de filtration interrompt la direction de déplacement.	Désactivez le système de filtration (consultez le manuel d'utilisation).
	La roue est coincée.	Vérifiez si les roues ont des déchets adhérents. Dans ce cas, retirez-les.
Le robot bouge doucement.	Compartiment plein.	Nettoyez le compartiment et le couvercle du filtre.
La tête rotative ne tourne pas ou elle tourne mais trop doucement.	Le fond basculant est coincé.	Le compartiment est plein. Vérifiez s'il y a des déchets sous la tête rotative et retirez-les si c'est le cas. Il peut être tourné à la main et rincé à l'eau jusqu'à ce qu'il se déplace en douceur.
	Compartiment plein.	Nettoyez le compartiment et le couvercle du filtre.



PROBLÈME	POSSIBLES CAUSES	SOLUTION
Les déchets sortent du robot.	La valve de la buse de succion (sur la partie inférieure du robot) est cassée.	Le déflecteur de la ventouse agit comme une porte pour empêcher les déchets de sortir du compartiment. Contactez votre distributeur pour les pièces de rechange et les instructions.
Les déchets débordent à travers le couvercle du filtre.	Le couvercle du filtre est cassé.	Remplacez le couvercle du filtre par un neuf. Contactez le distributeur pour les pièces de rechange.
Si le chargeur affiche un témoin rouge fixe, il ne peut pas passer au vert plus de 8 heures.	La batterie est endommagée	Please contact the dealer to replace the battery. Contactez votre distributeur pour remplacer la batterie. Attention : n'allumez pas le robot et ne remplacez pas la batterie vous-même. Elle peut causer des blessures graves ou mortelles et annuler la garantie. so the warranty will not be valid.
Si le témoin du chargeur devient vert en très peu de temps et que l'appareil ne fonctionne également que pendant une courte période (environ 30 minutes), une validation multiple sera requise.		
Lorsque le produit commence à se charger après avoir terminé le travail, si le chargeur affiche un témoin vert continu (assurez-vous que le câble du chargeur est complètement et correctement connecté à l'adaptateur externe et au robot).	Le chargeur est endommagé	Contactez votre distributeur pour son remplacement. Attention : si vous utilisez un chargeur externe incorrect, vous risquez d'endommager le robot ou la batterie et d'annuler par conséquent la garantie.
Si le chargeur ne s'allume plus.		
L'interrupteur ne fonctionne pas ou est hors service.*	Il y a des saletés autour du capteur ou une oxydation du capteur.	Nettoyer le capteur avec un papier, un chiffon ou une brosse, selon les photos ; ou voir la vidéo en ligne.



YouTube

**ASPECTS GÉNÉRAUX**

- Conformément à ces dispositions, le vendeur garantit que le produit correspondant à cette garantie ("le Produit") ne présente aucun défaut de conformité à la date de sa livraison.
- La Période de Garantie pour le Produit est de deux (2) ans et elle sera calculée à partir du moment de sa remise à l'acheteur.
- S'il se produisait un défaut de conformité du Produit et si l'acheteur le notifiait au vendeur pendant la Période de Garantie, le vendeur devrait réparer ou remplacer le Produit à ses propres frais à l'endroit qu'il jugerait opportun, à moins que cela soit impossible ou disproportionné.
- Lorsque le Produit ne pourra être ni réparé ni remplacé, l'acheteur pourra demander une réduction proportionnelle du prix ou, si le défaut de conformité est suffisamment important, la résolution du contrat de vente.
- Les parties remplacées ou réparées en vertu de cette garantie n'élargiront pas le délai de la garantie du Produit original, celles-ci étant cependant couvertes par leur propre garantie.
- Pour l'effectivité de la présente garantie, l'acheteur devra justifier la date d'acquisition et de remise du Produit.
- Quand plus de six mois se seront écoulés depuis la remise du Produit à l'acheteur et que ce dernier alléguera un défaut de conformité de ce Produit, l'acheteur devra justifier l'origine et l'existence du défaut allégué.
- Le présent Certificat de Garantie ne limite pas, ni préjuge les droits correspondant aux consommateurs en vertu des normes nationales de nature impérative.

**CONDITIONS PARTICULIÈRES**

- La présente garantie couvre les produits auxquels ce manuel fait référence.
- Le présent Certificat de Garantie ne sera applicable que dans les pays de l'Union européenne.
- En vue de l'efficacité de cette garantie, l'acheteur devra suivre strictement les indications du Fabricant comprises dans la documentation qui est jointe au Produit, quand celle-ci sera applicable selon la gamme et le modèle du Produit.
- Quand un calendrier sera spécifié pour le remplacement, la maintenance ou le nettoyage de certaines pièces ou de certains composants du Produit, la garantie sera valable uniquement lorsque ledit calendrier aura été suivi correctement.

**LIMITATIONS**

- La présente garantie ne sera applicable que dans les ventes réalisées aux consommateurs, considérant comme "consommateur", toute personne qui achète le Produit à des fins qui n'entrent pas dans le cadre de son activité professionnelle.
- Aucune garantie n'est concédée quant à l'usure normale due à l'utilisation du produit. En ce qui concerne les pièces, composants et/ou matériels fongibles ou consommables comme les piles, les ampoules, etc., il faudra respecter, le cas échéant, ce qui est stipulé dans la documentation qui est jointe au Produit.
- La garantie ne couvre pas les cas où le Produit : (I) a fait l'objet d'un traitement incorrect ; (II) a été réparé, entretenu ou manipulé par une personne non autorisée ou (III) a été réparé ou entretenu avec des pièces n'étant pas d'origine. Quand le défaut de conformité du Produit sera la conséquence d'une installation ou d'une mise en marche incorrectes, la présente garantie répondra uniquement lorsque ladite installation ou ladite mise en marche sera incluse dans le contrat d'achat et de vente du Produit et aura été réalisée par le vendeur ou sous sa responsabilité.

**CROSSED-OUT WASTE CONTAINER**

- Afin de réduire la quantité de déchets d'appareils électriques et électroniques, afin d'éviter le danger de leurs composants, d'encourager la réutilisation des appareils ainsi que la valorisation de leurs déchets, et de déterminer une gestion appropriée de ceux-ci, en essayant d'améliorer l'efficacité de la protection environnementale, ont été établies de nombreuses normes applicables à la fabrication du produit, et d'autres relatives à la gestion environnementale correcte lorsque ces appareils sont hors service.
- De même, on prétend améliorer le comportement environnemental de toutes les personnes qui interviennent dans le cycle de vie des appareils électriques et électroniques, tels que les producteurs, les distributeurs, les utilisateurs et, en particulier, les intervenants directement impliqués dans la gestion des déchets dérivés de ces appareils.
- À partir du 13 août 2005, quand vous souhaitez vous débarrasser de votre appareil usagé, vous avez deux façons de le faire :
- Si vous achetez un nouvel appareil qui est plus ou moins du même genre ou qui réalise les mêmes fonctions que votre appareil usagé, vous pourrez le remettre au distributeur, sans aucun frais à votre charge, au moment de l'achat.
- Ou bien vous pourrez le déposer à l'endroit destiné à cette fin par les différents organismes locaux.
- Les frais de gestion seront à notre charge.
- Les appareils portent une étiquette sur laquelle figure le symbole d'une "poubelle à ordures sur roulettes barrée". Ce symbole indique la nécessité d'une collecte sélective et triée du reste des déchets urbains.
- Nos produits sont conçus et fabriqués avec des matériaux et des composants de haute qualité, respectueux de l'environnement, qui sont réutilisables et recyclables. Malgré tout, les différentes parties qui composent cet article ne sont pas biodégradables ; c'est pourquoi, il ne faut pas les mettre au rebut en les jetant dans l'environnement.

## SICHERHEITSHINWEIS

### **WARNUNG**

Der Reiniger ist kein Spielzeug und darf nur von Personen ab 8 Jahren bedient werden.

Vor der Nutzung des Reinigers muss dieses Handbuch sorgfältig gelesen werden.

1. Geräte können von Kindern im Alter von mindestens 8 Jahren oder von Personen mit verminderten sensorischen oder geistigen Fähigkeiten oder fehlenden Erfahrungen oder Kenntnissen verwendet werden, wenn sie beaufsichtigt werden oder Anweisungen bezüglich der sicheren Verwendung des Geräts erhalten haben und die diesem innewohnenden Gefahren verstehen.
2. Kinder dürfen nicht mit diesem Gerät spielen.
3. Die von dem Benutzer auszuführende Reinigung und Wartung darf nicht von Kindern ausgeführt werden. Der Reiniger ist auf die Schwimmbadreinigung ausgelegt.
4. Bitte verwenden Sie bei Benutzung Original-Batterien und -Ladegerät. Nur laden, wenn Reiniger ausgeschaltet ist.
5. Bewahren Sie den Reiniger an einem trockenen und sauberen Ort auf. Setzen Sie ihn keiner Explosionsgefahr oder zu starker Sonneneinstrahlung aus.
6. Kommen Sie dem Saugkopf nicht zu nahe. Die Saugkraft wirkt sich auf Menschen, Tiere, Haare und Kleidung aus.
7. Bauen Sie den Reiniger nicht ohne professionelle Unterstützung oder Anleitung des Händlers oder Herstellers auseinander.
8. Austretendes Schmieröl kann zu Wasserverschmutzung führen.
9. Halten Sie den Reiniger bei Problemen sofort an. Kontaktieren Sie den Händler oder bauen Sie Originalersatzteile ein.
10. Arbeitsbedingungen für den Reiniger:
  - 11.1 Maximale Wassertiefe: 40 - 300cm.
  - 11.2 Wassertemperatur: 4°C ( 39.2°F )-35°C ( 95°F )

### **1. USB-Verbindung**

1. Es ist nur eine Ausgangsspannung von 5V zulässig für Ladegerät einschließlich USB-Verbinder..
2. Verwenden Sie das Ladegerät nicht im Freien. Es sollte keinerlei Regen, Feuchtigkeit, Flüssigkeit oder Hitze ausgesetzt werden.
3. Bewahren Sie das Ladegerät außer Reichweite von Kindern auf.
4. Verwenden Sie das Ladegerät nicht, wenn es beschädigt ist.
5. Berühren Sie Reiniger und Ladegerät während des Aufladens nicht mit nassen Händen oder Füßen.
6. Nehmen Sie das Ladegerät vom Strom, wenn es nicht gebraucht wird.
7. Sollte die USB-Verbindung beschädigt sein, muss es durch ein neues Ladegerät ersetzt werden, um Gefahren zu vermeiden.
8. Stellen Sie vor dem Aufladen sicher, dass der Reiniger, USB-Kabel und Ladegerät vollständig trocken sind.
9. Laden Sie den Reiniger vor der ersten Benutzung 5 Stunden lang. Normalerweise kann der Reiniger nach vollständiger Aufladung ca. 30 Minuten betrieben werden.

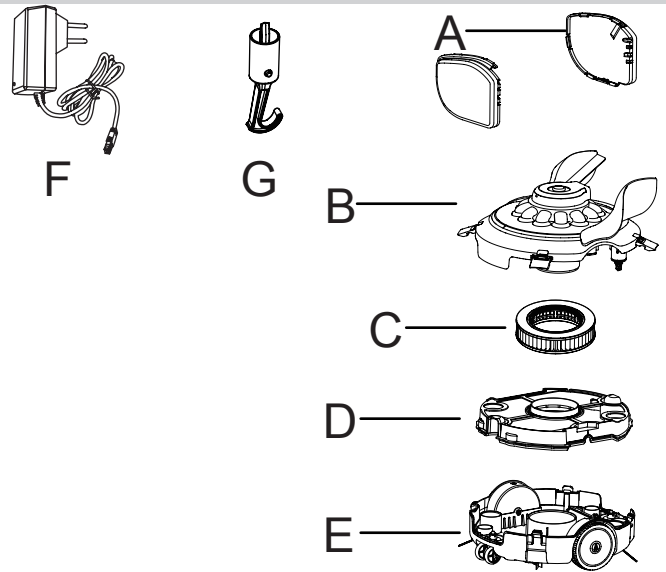
### **2. Entsorgung der Batterie**

1. Bei der Batterie des Reinigers handelt es sich um eine Lithiumbatterie, die ordnungsgemäß entsorgt werden muss. Bitte kontaktieren Sie die städtischen Behörden für nähere Informationen.
2. Bauen Sie die Lithiumbatterie niemals auseinander.
3. Legen Sie beim Entnehmen der Lithiumbatterie aus dem Vakuumsauger Gegenstände wie Ringe, Armbänder, Ketten oder Uhr ab.
4. Die Batterie kann einen Kurzschluss und starke Verbrennungen verursachen.
5. Tragen Sie zum Entnehmen der Batterie eine Schutzbrille, Handschuhe und Schutzkleidung.
6. Rauch oder Flammen in der Nähe des Reinigers können unbekannte Gase verursachen.
7. Wenn Kleidung oder Haut in Kontakt mit Säure kommen, bitte umgehend mit viel Seife und Wasser waschen.
8. Wenn Ihre Augen in Kontakt mit Säure kommen, spülen Sie diese sofort für mindestens 15 Minuten mit fließendem kaltem Wasser aus. Suchen sie anschließend einen Arzt auf.

**Die genannten Warn- und Gefahrenhinweise decken nicht alle möglichen Risiken und/oder schweren Verletzungen ab.** Pool- und Schwimmbeckenbesitzer sollten bei Gebrauch des Reinigers stets enorme Vorsicht walten lassen.

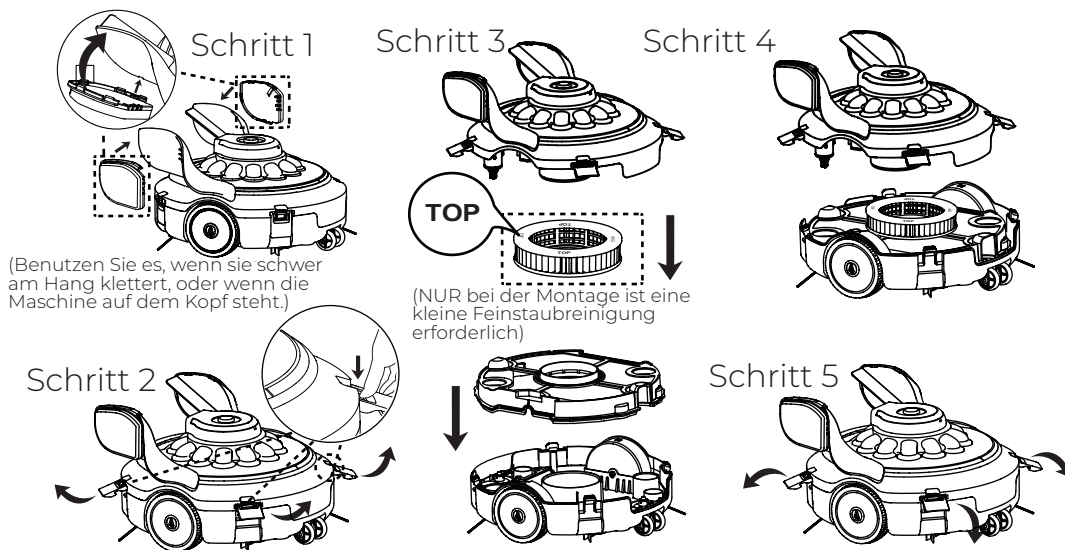
## AUFBAU

- A: Schwimmer
- B: Abdeckung
- C: Kartuschenfilter (Zusammenbau und Reinigung NUR für kleinen Mikrostaub)
- D: Filter
- E: Bodenplatte
- F: Ladegerät
- G: Haken



An der oberen Abdeckung befindet sich ein Düsenkopf. Das Wasser strömt vom Boden zum Düsenkopf, damit sich der Roboter bewegt. Bei Hindernissen dreht sich der Düsenkopf um 180 Grad, sodass der Roboter das Hindernis umrundet und sich weiterdreht. Der Müll wird eingesaugt und im Schmutzbehälter abgelegt.

## AUFBAU UND BETRIEB



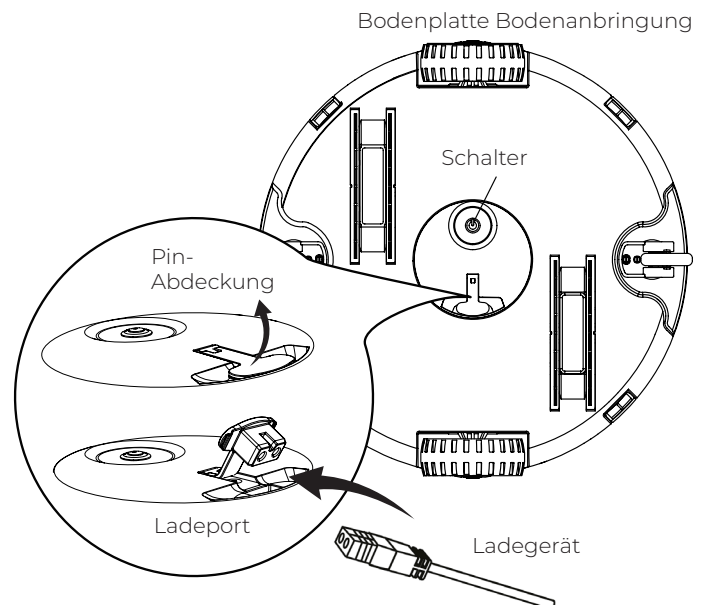
### Batteriewarnung:

- Nutzen Sie ausschließlich den mitgelieferten externen Adapter und das mitgelieferte Ladekabel
- Stellen Sie sicher, dass Roboter und Ladeports bei der Installation trocken sind.
- Laden Sie den Roboter vor der ersten Nutzung auf (etwa 8 Stunden).

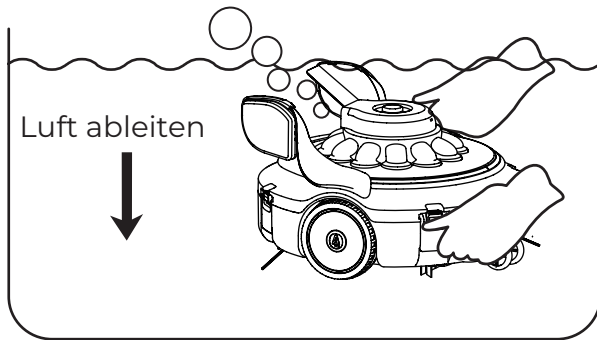
1. Vor dem Aufladen Pin-Abdeckung abnehmen.
2. Ladegerät in den Ladeanschluss einstecken, dann Aufladen starten.

Hinweis: Sobald der Roboter mit dem Laden beginnt, springt das Anzeigelicht des externen Adapters auf rot. Wenn der Roboter fast vollständig aufgeladen ist, springt das Anzeigelicht auf grün.

3. Nach dem Aufladen Pin-Abdeckung wieder auf den Ladeanschluss setzen. Vor dem Eintauchen ins Wasser sicherstellen, dass die Pin-Abdeckung vollständig dicht ist.

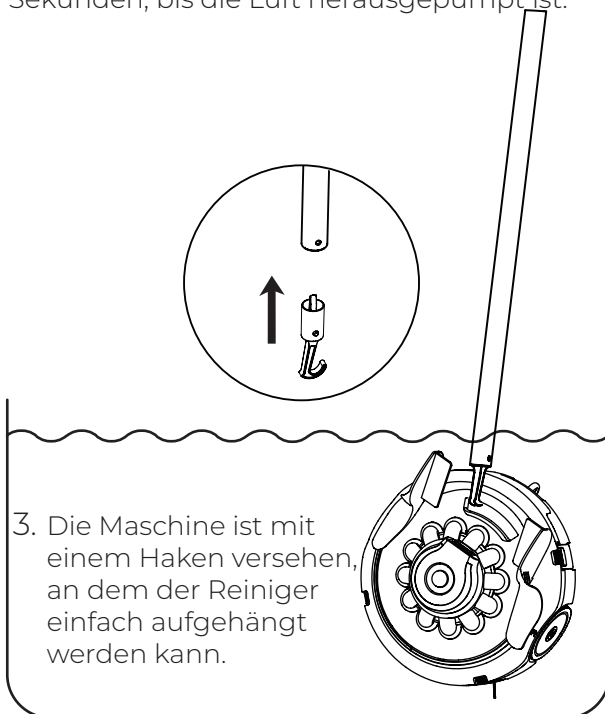
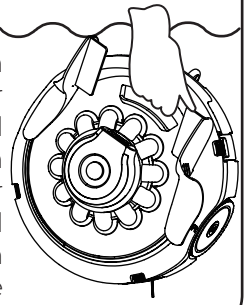


## STROM AN



1. Schalten Sie den Schalter ein, die Anzeige leuchtet auf, stellen Sie den Roboter waagrecht in das Becken und warten Sie, bis er frei auf den Beckenboden sinkt. Es dauert etwa 20-30 Sekunden, bis die Luft herausgepumpt ist.

2. Wenn der Roboter keinen Strom mehr hat, hält er automatisch am Beckenrand an. Wenn der Roboter keinen Strom mehr hat, stoppt er automatisch am Beckenrand oder bleibt an einem Hindernis in der Poolmitte hängen.)

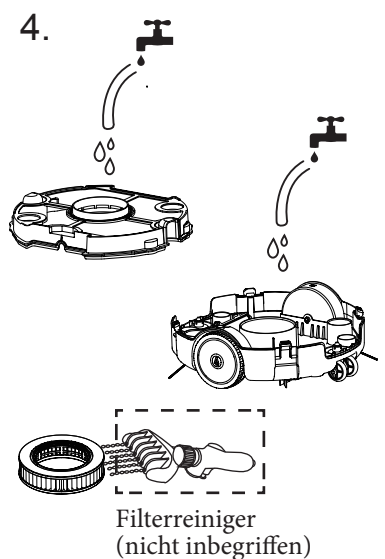
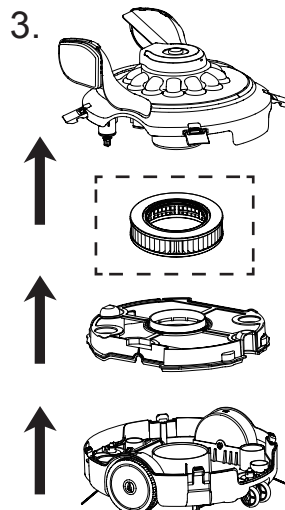
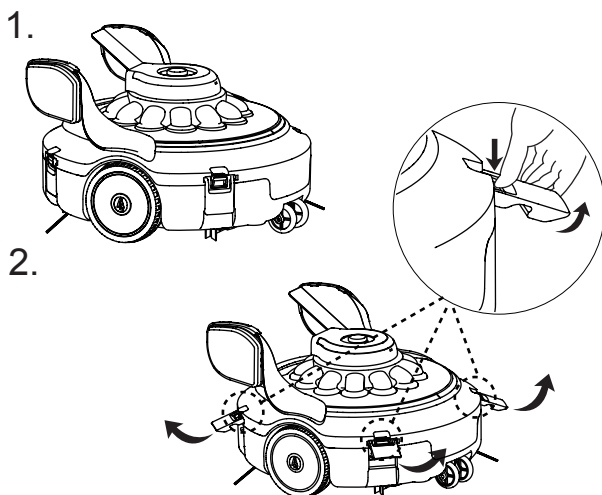


3. Die Maschine ist mit einem Haken versehen, an dem der Reiniger einfach aufgehängt werden kann.

**Hinweis:**

1. Es empfiehlt sich, das Filtersystem abzuschalten, da der Wasserkreislauf im Pool den Bewegungsmodus des Roboters beschädigen kann.
2. Hindernisse wie Leitern beeinträchtigen Schwimmbewegungen und somit Reinigungsergebnisse des Roboters;
3. Falls Sie einen Soletank verwenden stellen Sie bitte vor dem Einsatz des Roboters sicher, dass sich das gesamte Salz aufgelöst hat.

## MÜLLENTSORGUNG

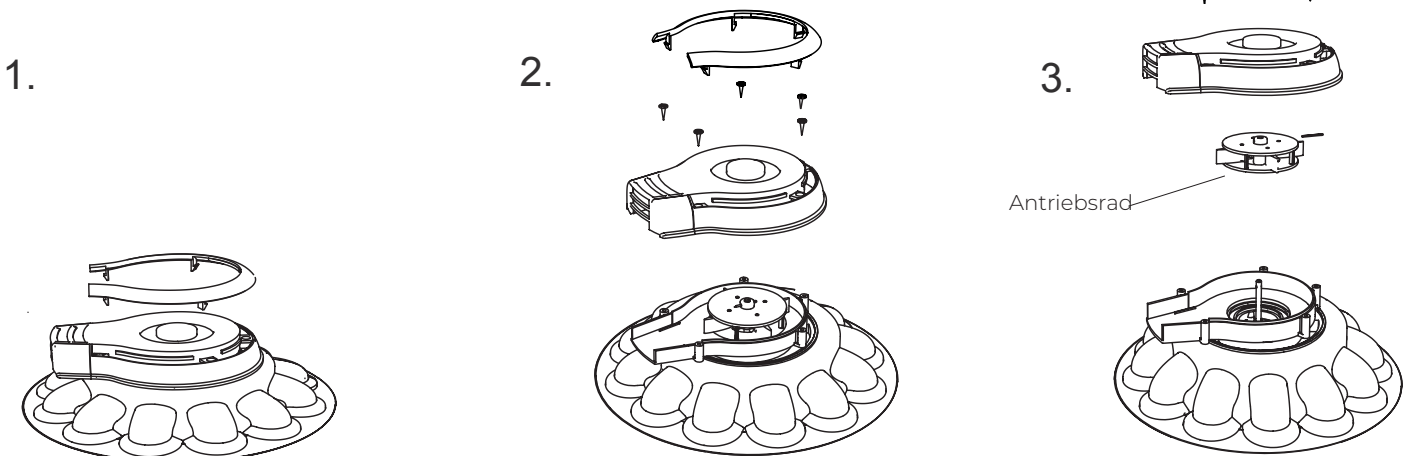


## WARTUNG UND AUFBEWAHRUNG

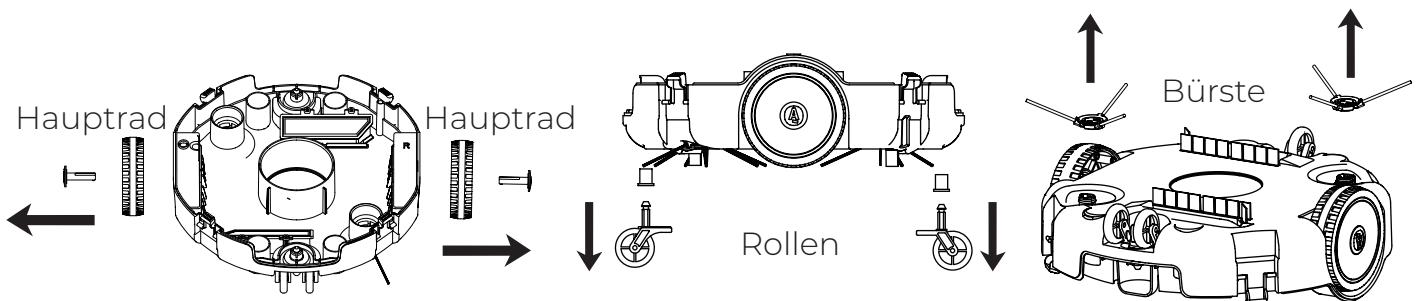
1. Während der Aufbewahrung entlädt sich die Batterie nach und nach. Stellen Sie sicher, dass der Roboter vor der Aufbewahrung vollständig aufgeladen ist.
  2. Wenn sich der Roboter nicht in Gebrauch befindet, muss die Batterie mindestens alle drei Monate aufgeladen werden.
    - Ziehen Sie den externen Adapter aus der Steckdose und trennen Sie anschließend das Ladekabel vom externen Adapter und dem Roboter.
    - Entfernen Sie die Abdeckung vom Roboter. Reinigen Sie Roboter und Zubehör bei Bedarf mit sauberem Wasser. Verwenden Sie keine Reinigungsmittel.
- Stellen Sie vor der Aufbewahrung sicher, dass sich kein Wasser mehr im Roboter befindet.
  - Reinigen und trocknen Sie Roboter und Zubehör mit einem feuchten Tuch.
  - Bewahren Sie den Roboter an einem gut belüfteten Ort ohne Sonnenlicht, Hitze, Brandquellen und Poolchemikalien auf, zu dem Kinder keinen Zugang haben.
  - Die optimale Aufbewahrungstemperatur liegt bei 10 °C– 25 °C (50 °C– 7°C).
- Hinweis:** Höhere Aufbewahrungstemperaturen können die Batterielaufzeit verkürzen.

### Wartung und Ersatz des Antriebsrats:

Empfohlenes Werkzeug (nicht inbegriffen): Schraubenzieher



### Wartung und Ersatz der Räder:



**Hinweis:** Das Haupttrad ist magnetisch. Bitte kontaktieren Sie für Wartung oder Ersatz den Händler.



## MONTAGE UND AUSTAUSCH DER BATTERIE

### ! WARNUNG



Elektrogeräte dürfen nicht als normaler Haushaltsmüll behandelt werden, sie müssen in einer Einrichtung zur getrennten Sammlung entsorgt werden. Für Informationen zu den verfügbaren Sammelsystemen wenden Sie sich bitte an Ihre Gemeindeverwaltung.

- Entfernen Sie die Lithiumbatterie nicht ohne Genehmigung.
- Bei Entfernen der Lithiumbatterie aus dem Vakuum-Gerät bitte Ring, Armband, Halskette und Uhr abnehmen.
- Der von einer Batterie erzeugte Kurzschlussstrom kann von einem Ring (oder ähnlichen Gegenständen) abgeleitet werden, was zu schweren Verbrennungen führen kann.
- Vor Entnehmen der Batterie bitte Schutzbrille, Handschuhe und Schutzkleidung anlegen.
- Achten Sie darauf, keine Kabel oder Metallteile zu berühren, da dies Funken oder einen Kurzschluss verursachen kann.
- In der Nähe des Reinigers Rauchen, Funken oder

Feuer vermeiden, da dies die Batterie entzünden und Gase verursachen kann.

- Die Batterie darf keinem Feuer oder hohen Temperaturen ausgesetzt werden, da dies Explosionen verursachen kann.

#### Hinweis!

Sollte die Batterie auslaufen, die beschädigte Batterie nicht berühren und diese in einem Plastikbeutel verwahren.

Sollte Haut oder Kleidung mit der Säure in Berührung gekommen sein, umgehend mit viel Seife und Wasser waschen.

Sollten die Augen in Kontakt mit der Säure gekommen sein, die Augen für mindestens 15 Minuten mit Wasser spülen und Arzt aufsuchen.

### Batteriewechsel:



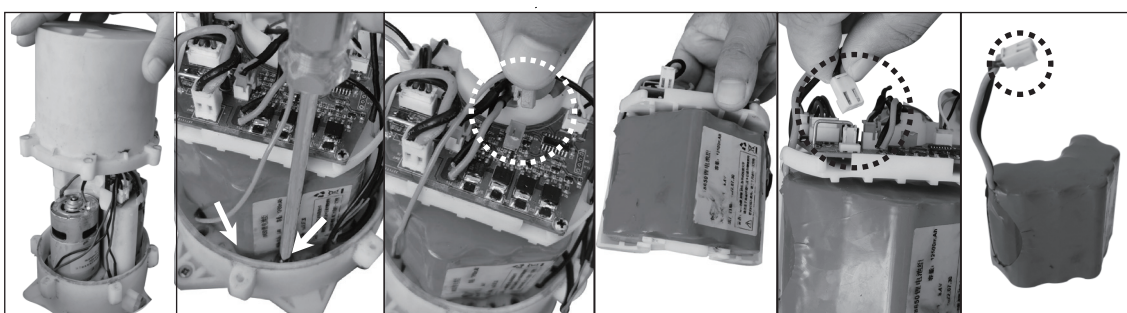
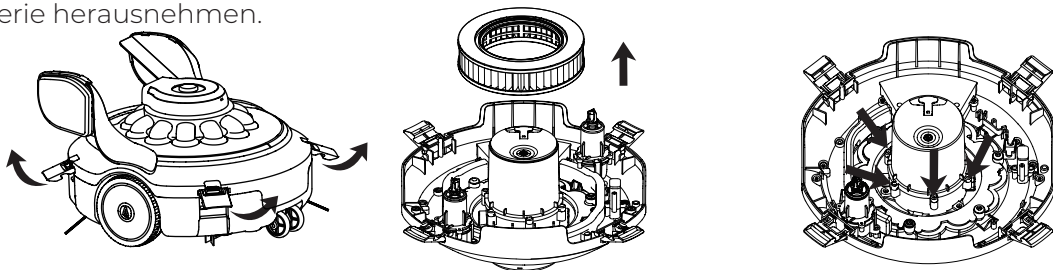
**Hinweis:** Benutzer müssen vor dem Ersetzen der Batterie mit dem Händler Rücksprache halten

1. Die vier Clips vom Mittelteil des oberen Deckels nach außen ziehen und diesen vom Gerätekörper des unteren Deckels abnehmen, Mikropartikelfilter herausnehmen.
2. Mithilfe eines Schraubenziehers alle Schrauben vom Batteriefachdeckel des unteren Deckels abschrauben.
3. Batteriefachdeckel öffnen, das Batterieanschlusskabel ausfindig machen, den Clip am Steckverbinder drücken, herausziehen und Batterie herausnehmen.

4. Das Wiedereinsetzen der Batterie und die Montage der Anschlussteile erfolgt den Demontageschritten entsprechend. Hinweis: (1) sollte der Dichtungsring verschmutzt sein, diesen reinigen und wieder in die Dichtungsringnut einsetzen. (2) Auf die Montagerichtung achten. Die sechs Schraubenlöcher müssen zum Anziehen der Schrauben korrekt ausgerichtet sein.



**Hinweis:** zur Vermeidung von Kurzschlüssen durch den Kontakt zwischen zwei Drahtenden den Steckverbinder umgehend mit Isolierband umwickeln.



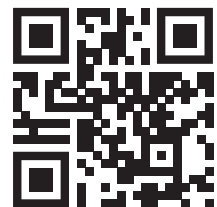
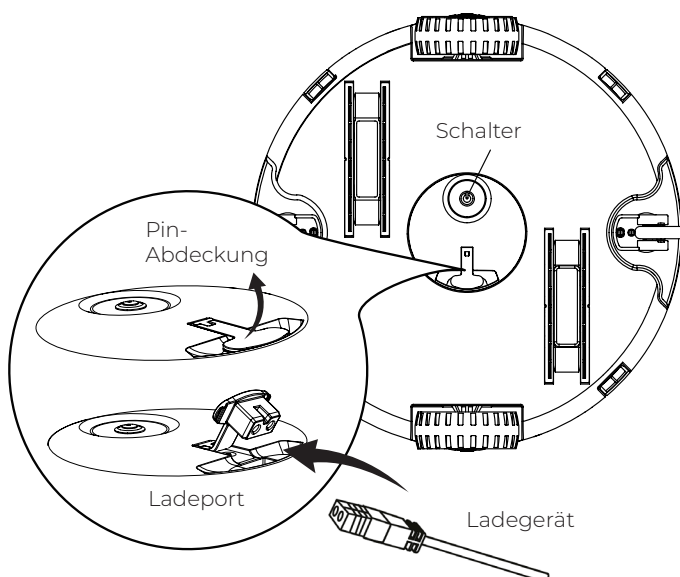


## PROBLEMBEHEBUNG

Bei Problemen mit Ihrem Reiniger befolgen Sie bitte die untenstehenden Schritte zur Problembeseitigung.  
**Hinweis:** Bitte schalten Sie vor einer Reparaturtätigkeit den Strom ab.

PROBLEM	MÖGLICHE URSACHEN	LÖSUNG
Roboter sammelt keinen Schmutz ein.	Die Batterieladung ist zu schwach.	Laden Sie den Roboter auf.
	Das Antriebsrad hat sich verklemmt.	Nehmen Sie den Roboter vom Strom und prüfen Sie, ob sich das Antriebsrad drehen lässt. Kontaktieren Sie gegebenenfalls den Händler für weitere Anweisungen. Achtung! Schalten Sie den Roboter zu Reparaturtätigkeiten stets aus.
	Antriebsrad beschädigt.	Bitten Sie den Händler um einen Ersatz.
	Schmutzbehälter ist voll.	Reinigen Sie Schmutzbehälter und Filteraußenseite
Der Roboter stoppt in der Mitte des Pools, während sich der Rotationskopf weiter dreht.	Der Roboter wurde durch ein Hindernis gestoppt.	Prüfen Sie den Reiniger auf Verstopfung. Entfernen Sie die Hindernisse.
	Der Roboter wird durch die Saugkraft einer Hauptleitung am Poolboden behindert.	Schalten Sie das Filtersystem ab (siehe Anweisungen im Handbuch).
	Boden ist nicht komplett eben.	Es dauert länger, bis sich der Roboter erneut bewegt. Alternativ können Sie für einen flachen Boden sorgen oder die Unterseite der Bürste entsprechend anpassen. Kontaktieren Sie Ihren Händler für Ersatzteile.
Der Roboter kann nicht den gesamten Pool abdecken / bewegen Sie ihn entlang des Poolrands.	Schmutzbehälter ist voll.	Reinigen Sie Schmutzbehälter und Filteraußenseite.
	Betriebsdauer war kürzer als erwartet.	Reinigen Sie die Filterkammer und laden Sie den Roboter für 4-5 Stunden erneut auf.
	Die von der Filteranlage erzeugte Wasserzirkulation unterbricht die Bewegungsrichtung.	Schalten Sie das Filtersystem ab (siehe Anweisungen im Handbuch).
	Das Rad klemmt.	Prüfen Sie die Räder auf Schmutz und entfernen Sie diesen.
Der Roboter bewegt sich nur langsam.	Schmutzbehälter ist voll.	Reinigen Sie Schmutzbehälter und Filteraußenseite.
Der Rotationskopf dreht sich gar nicht oder zu langsam.	Der untere Teil des Dreharms klemmt.	Der Schmutzbehälter ist voll. Entfernen Sie Schmutz unterhalb des Rotationskopfes. Er kann von Hand gedreht und gereinigt werden.
	Schmutzbehälter ist voll.	Reinigen Sie Schmutzbehälter und Filteraußenseite.

PROBLEM	MÖGLICHE URSACHEN	LÖSUNG
Schmutz ist aus dem Roboter gelaufen.	Das Ventil der Saugdüse am Boden des Reinigers ist kaputt.	Die Schutzwand des Saugers ist offen, damit kein Schmutz aus der Schmutzkammer ausströmen kann. Bitten Sie den Händler um Anweisungen und Ersatz.
Schmutz gelangt ins Äußere der Filterkammer.	Die Filterabdeckung ist beschädigt.	Ersetzen Sie die Filterabdeckung. Bitten Sie den Händler um einen Ersatz.
Wenn das Ladegerät fortwährend rotes Licht anzeigt, kann es nicht länger als 8 Stunden mit grünem Licht aufladen.	Batterie beschädigt.	Bitte kontaktieren Sie den Händler, damit dieser die Batterie ersetzt. Achtung! Sie dürfen den Roboter nicht anschalten oder die Batterie selbst wechseln! Dies kann zu schweren Verletzungen führen. Die Garantie erlischt.
Wenn das Licht des Ladegeräts innerhalb sehr kurzer Zeit grün wird, funktioniert es nur etwa eine halbe Stunde (mehrmalige Prüfung erforderlich).		
Wenn das Produkt nach dem Einsatz mit dem Laden beginnt, wenn das Ladegerät kontinuierlich grünes Licht anzeigt. (Stellen Sie sicher, dass das Ladekabel vollständig und richtig an den externen Adapter und den Roboter angeschlossen ist.)	Ladegerät beschädigt.	Kontaktieren Sie den Händler für einen Ersatz. Achtung! Ein falscher externer Adapter kann die Roboterbatterie beschädigen. Die Garantie erlischt.
Wenn das Licht des Ladegeräts nicht mehr leuchtet.		
Schalter funktioniert nicht oder ist defekt.*	Schmutz oder Rost um den Sensor.	Reinigen Sie den Sensor mit einem Papier, einem Tuch oder einer Bürste, wie in den Bildern gezeigt; sehen Sie sich das Erklärvideo online an.



YouTube

## ALLGEMEINE GESICHTSPUNKTE

- In Übereinstimmung mit diesen Verfügungen garantiert der Verkäufer, dass das Produkt dieser Garantie ("das Produkt") entspricht und dass es im Moment der Übergabe in allen Punkten mit den Anforderungen übereinstimmt.
- Der Garantiezeitraum für das Produkt beträgt zwei (2) Jahre und wird ab dem Augenblick der Lieferung an den Käufer gerechnet.
- Falls ein Mangel am Produkt auftritt und der Käufer den Verkäufer innerhalb des Garantiezeitraums darüber unterrichtet, muss der Verkäufer das Produkt auf eigene Kosten dort reparieren oder ersetzen, wo es für ihn am günstigsten ist, es sei denn, dies ist unmöglich oder unverhältnismäßig.
- Wenn das Produkt weder repariert noch ersetzt werden kann, kann der Käufer einen angemessenen Preisnachlass beantragen, oder, falls es sich um einen größeren Mangel handelt, die Auflösung des Kaufvertrages.
- Die Teile, die aufgrund dieser Garantie ersetzt oder repariert werden, verlängern den Garantiezeitraum für das Originalprodukt nicht. Jedoch existiert für diese Teile eine eigene Garantie.
- Um die vorliegende Garantie wirksam werden zu lassen, muss der Käufer das Kaufdatum und das Lieferdatum des Produktes belegen.
- Nach Ablauf von sechs Monaten ab Lieferung des Produktes an den Käufer muss, im Falle eines Mangels, der Käufer den Ursprung und das Vorhandensein des angegebenen Mangels belegen.
- Das vorliegende Garantiezertifikat schränkt die Rechte, die der Verbraucher aufgrund der herrschenden, nationalen Gesetzgebung hat, nicht ein.

## SONDERBEDINGUNGEN

- Die vorliegende Garantie gilt für die Produkte, auf die sich dieses Handbuch bezieht.
- Das vorliegende Garantiezertifikat ist nur in den Ländern der Europäischen Gemeinschaft anwendbar.
- Diese Garantie gilt nur, wenn der Käufer alle Anweisungen des Herstellers, die in der produktbegleitenden Dokumentation enthalten und für die jeweilige Produktlinie und Modell anwendbar ist, streng einhält.
- Wenn ein Zeitplan für den Austausch von Teilen, die Instandhaltung und Reinigung bestimmter Teile oder Produktkomponenten aufgestellt wurde, gilt die Garantie nur dann, wenn dieser Zeitplan korrekt eingehalten wurde.

## EINSCHRÄNKUNGEN

- Die vorliegende Garantie ist nur auf Verkäufe an Verbraucher anwendbar. "Verbraucher" sind alle Personen, die dieses Produkt zu privaten Zwecken erwerben.
- Es wird keine Garantie für die normale Abnutzung durch den Gebrauch des Produktes gewährt. Informationen über Teile, Komponenten und/oder verschleißbare Materialien oder Verbrauchsgüter oder Batterien, Glühlampen etc.

finden Sie in der Dokumentation, die das jeweilige Produkt begleitet.

- In folgenden Fällen gilt die Garantie nicht: (I) Das Produkt wurde nicht korrekt benutzt; (II) das Produkt wurde von nicht autorisierten Personen repariert, instandgehalten oder bedient oder (III) das Produkt wurde mit nicht originalen Ersatzteilen repariert oder instandgehalten. Wenn der Mangel auf eine falsche Installation oder Inbetriebnahme zurückzuführen ist, gilt die vorliegende Garantie nur, wenn diese Installation oder Inbetriebnahme in den Kaufvertrag des Produktes eingeschlossen war, und von dem Verkäufer oder auf dessen Verantwortung durchgeführt wurde.



## DURCHGESTRICHENEN ABFALLCONTAINERS MIT RÄDERN

- Um die Menge an Abfällen, die aus elektrischen und elektronischen Geräten bestehen, zu reduzieren, die Gefahr einzudämmen, die Wiederverwertung der Apparate und die Bewertung dieser Rückstände zu fördern und ein geeignetes Management zu finden, um die Wirksamkeit des Umweltschutzes zu erhöhen, werden eine Reihe von Normen festgelegt, die auf die Herstellung des Produktes angewandt werden, und Normen, die sich auf die korrekte und umweltbewusste Entsorgung beziehen, wenn diese Produkte zu Abfall werden.

- Ebenso soll das Umweltbewusstsein aller Beteiligten verbessert werden, die mit den elektrischen und elektronischen Apparaten während deren gesamtem Nutzungszyklus in Kontakt kommen, das sind zum Beispiel die Hersteller, die Vertreiber, die Benutzer und insbesondere diejenigen, die direkt mit der Entsorgung der Rückstände zu tun haben, die durch diese Apparate entstehen.

- Ab dem 13. August 2005 gibt es zwei Möglichkeiten für die Rückgabe, wenn Sie diesen Apparat entsorgen möchten:

- Falls Sie einen neuen, ähnlichen Apparat oder einen, der den gleichen Funktionen dient, erwerben, können Sie das alte Gerät kostenlos beim Kauf des neuen Gerätes an Ihren Verkäufer zurückgeben.

- Oder Sie können den Apparat zu einer der öffentlichen Annahmestellen für diese Art von Sondermüll bringen.

- Wir übernehmen die Kosten der Entsorgung.

- Die Apparate sind mit einem Etikett mit dem Symbol eines „durchgestrichenen Abfallcontainers mit Rädern“ versehen. Dieses Symbol gibt an, dass es sich um Sondermüll handelt, und nicht um gewöhnlichen städtischen Müll.

- Unsere Produkte bestehen aus Materialien und Komponenten hoher Qualität, die umweltfreundlich sind und wieder benutzt oder recycelt werden können. Dennoch sind die verschiedenen Teile, aus denen dieses Produkt besteht, nicht biologisch abbaubar, deshalb können sie nicht einfach weggeworfen werden. Um dieses Produkt korrekt zu recycling, bitte den elektrischen Motor von der Filteranlage zerlegen.

## AVVERTENZA DI SICUREZZA

### **ATTENZIONE**

L'aspirapolvere non è un giocattolo e viene utilizzato da persone di età superiore a 8 anni.

Chiunque utilizzi l'aspirapolvere deve leggere attentamente il manuale prima di lavorarci.

1. L'apparecchio può essere utilizzato da bambini a partire dagli 8 anni e da persone con ridotte capacità sensoriali o mentali, inesperte o prive di conoscenze, purché un'altra persona le sorvegli o abbia fornito loro le istruzioni necessarie per utilizzare l'apparecchio in maniera sicura e possano comprendere i rischi implicati
2. I bambini non devono giocare con il dispositivo
3. La pulizia e la manutenzione che devono essere effettuate dall'utente non devono essere effettuate da bambini. Il pulitore è progettato per pulire la piscina.
4. Caricarlo solo quando il robot è spento. Si prega di utilizzare le batterie e il caricabatterie originali durante l'uso.
5. Mettere il pulitore in un luogo pulito e asciutto. Non esporlo sotto sole o vicino a esplosivo.
6. Non avvicinarsi alla testa del vuoto quando è in funzione, a causa della sua aspirazione potere, soprattutto per il corpo umano, animali, capelli o vestiti.
7. Non smontare il pulitore senza assistenza professionale dal distributore o produttore autorizzato.
8. Non disperdere l'olio lubrificante in quanto può inquinare le acque.
9. Smettere di utilizzare l'aspiratore in caso di problemi; Si prega di contattare il distributore autorizzato o sostituirlo con parti / accessori originali.
10. Condizioni di lavoro più idonee:
  - 11.1 Profondità massima dell'acqua applicabile: 40 - 300cm.
  - 11.2 Temperatura dell'acqua: 4°C (39.2°F) - 35°C (95°F)

#### **1. Cavo USB**

1. Per il cavo con spina USB è consentita solo una tensione di uscita di 5 V.
2. Solo per uso interno. Il caricabatterie non deve essere utilizzato all'aperto e non essere esposto a pioggia, umidità, liquidi o calore.
3. Tenere il caricabatterie fuori dalla portata dei bambini.
4. Non utilizzare mai il caricabatterie se si riscontrano danni.
5. Non maneggiare l'aspiratore e il caricatore con mani bagnate e piedi nudi quando si carica l'aspiratore.
6. Scollegare il caricabatterie dall'alimentazione quando non è in uso.
7. Se la linea USB è danneggiata, sostituirla con un nuovo caricatore per evitare eventuali pericoli.
8. Assicurarsi che il pulitore, il cavo USB e il caricatore siano completamente asciutti prima di procedere alla ricarica.
9. Caricare il pulitore 5 ore prima del primo utilizzo. Di norma, è possibile azionarlo circa 30 minuti dopo la ricarica completa.

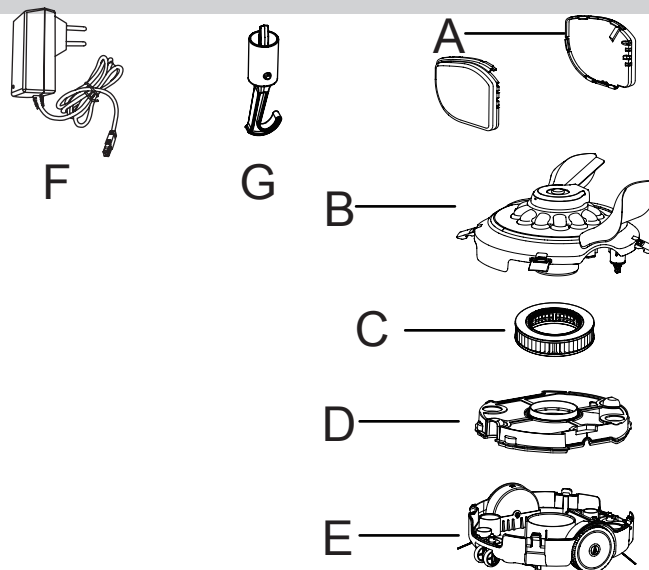
#### **2. Smaltimento della batteria**

1. La batteria del pulitore è una batteria al litio, deve essere smaltita correttamente, si prega di contattare le autorità locali per ulteriori informazioni.
2. Non tentare mai di smontare la batteria al litio.
3. Rimuovere tutti gli oggetti personali come anelli, braccialetti, collane e orologi quando si scollega una batteria al litio dall'aspiratore.
4. La batteria provoca una corrente di cortocircuito e gravi ustioni quando è abbastanza elevata.
5. Indossare una protezione completa per gli occhi, guanti e indumenti protettivi quando si rimuove la batteria.
6. Non fumare, provocare scintille o fiamme vicino al pulitore, ciò incendierà la batteria e produrrà gas non noti.
7. Se l'acido viene a contatto con la pelle e gli indumenti, lavare immediatamente con abbondante acqua e sapone.
8. Se gli occhi entrano in contatto con l'acido, risciacquarli con acqua per almeno 15 minuti e contattare un medico

**Gli avvertimenti e le precauzioni di cui sopra non possono includere tutti i possibili casi di rischio e/o lesioni gravi.** I proprietari di piscina / spa dovrebbero prestare sempre molta attenzione e avere buon senso quando si utilizza il pulitore.

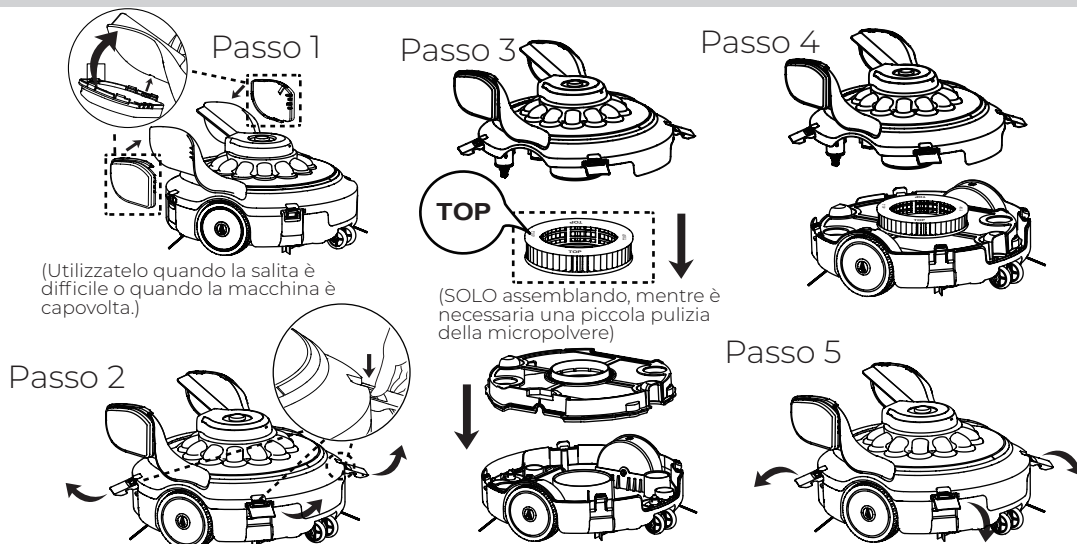
## ASSEMBLAGGIO

- A: Galleggiante
- B: Copertura superiore
- C: Filtro a cartuccia (Montaggio e pulizia SOLO per piccole micropolveri)
- D: Filtro
- E: Base inferiore
- F: Caricatore
- G: Gancio



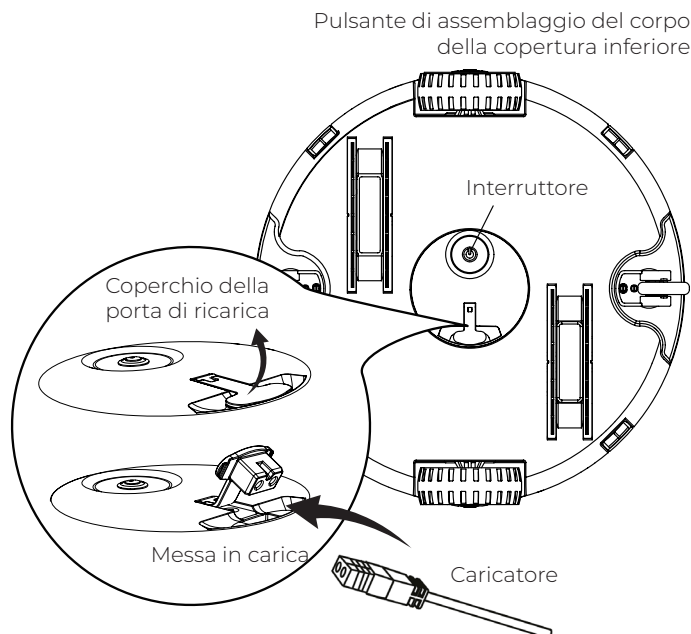
Sulla copertura superiore è presente la l'elemento di rotazione della testa a getto, l'acqua sta passando dalla parte inferiore alla testa a getto per fare muovere il robot. Quando trova un ostacolo, la testa del getto ruota di 180 gradi, il robot aggira l'ostacolo e si sposta di un'altra linea. La sporcizia viene raccolta e introdotta nell'alloggio del filtro posteriore.

## ASSEMBLAGGIO E FUNZIONAMENTO

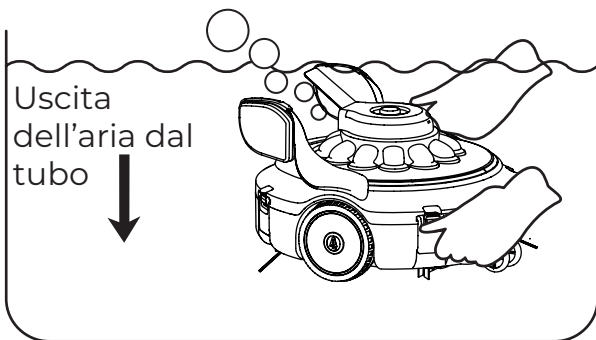


### Precauzioni per il caricamento:

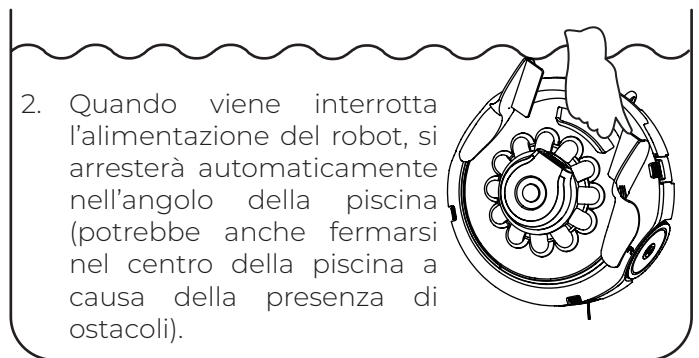
- Utilizzare esclusivamente l'adattatore e il cavo di carica forniti.
  - Assicurarsi che il robot e gli ingressi del caricatore siano puliti e asciutti prima dell'installazione.
  - Accendere il robot prima di utilizzarlo per la prima volta (circa 8 ore)
1. Prima di ricaricare togliere il coperchio della porta di ricarica.
  2. Inserire il caricatore nella porta di ricarica, quindi avviare la ricarica.
- Nota:** Quando il robot inizia a caricarsi, l'indicatore luminoso sull'adattatore esterno diventerà rosso. Quando il robot sarà quasi completamente carico, l'indicatore diventerà verde.
3. A ricarica completata, richiudere la porta di ricarica con l'apposito coperchio assicurandosi che sia ben chiuso e a tenuta prima di inserire il robot in acqua.



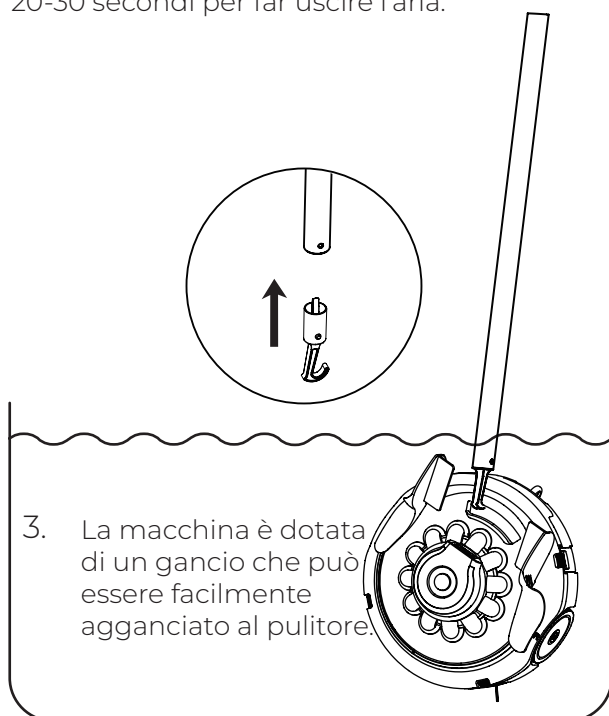
## ACCENSIONE



1. Accendere l'interruttore, l'indicatore si accende, inserire il robot orizzontalmente nella piscina e attendere che il robot si abbassi liberamente fino al fondo della piscina; sono necessari circa 20-30 secondi per far uscire l'aria.



2. Quando viene interrotta l'alimentazione del robot, si arresterà automaticamente nell'angolo della piscina (potrebbe anche fermarsi nel centro della piscina a causa della presenza di ostacoli).

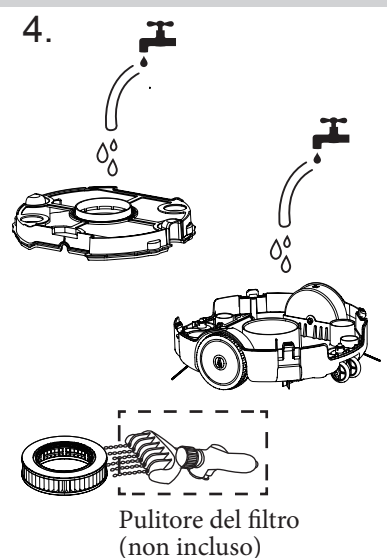
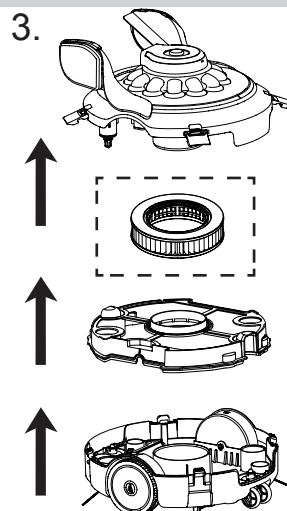
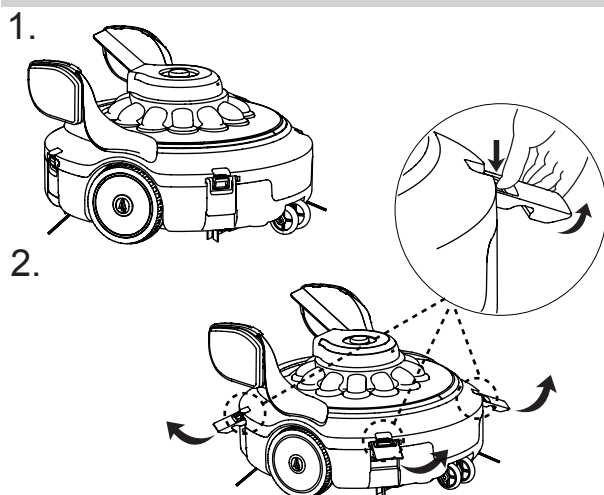


3. La macchina è dotata di un gancio che può essere facilmente agganciato al pulitore.

### Nota:

1. Si raccomanda di spegnere il sistema filtrante poiché la circolazione dell'acqua nella piscina potrebbe influire sulla modalità di movimento del robot.
2. Qualsiasi ostacolo nella piscina, come ad esempio la scala, influenzerà il percorso di pulizia e scorrimento del robot;
3. Se stai utilizzando un serbatoio di brina, assicurarsi che il sale si sciogla prima di introdurre il robot in acqua.

## SMALTIMENTO DEI RIFIUTI





## MANUTENZIONE E STOCCAGGIO

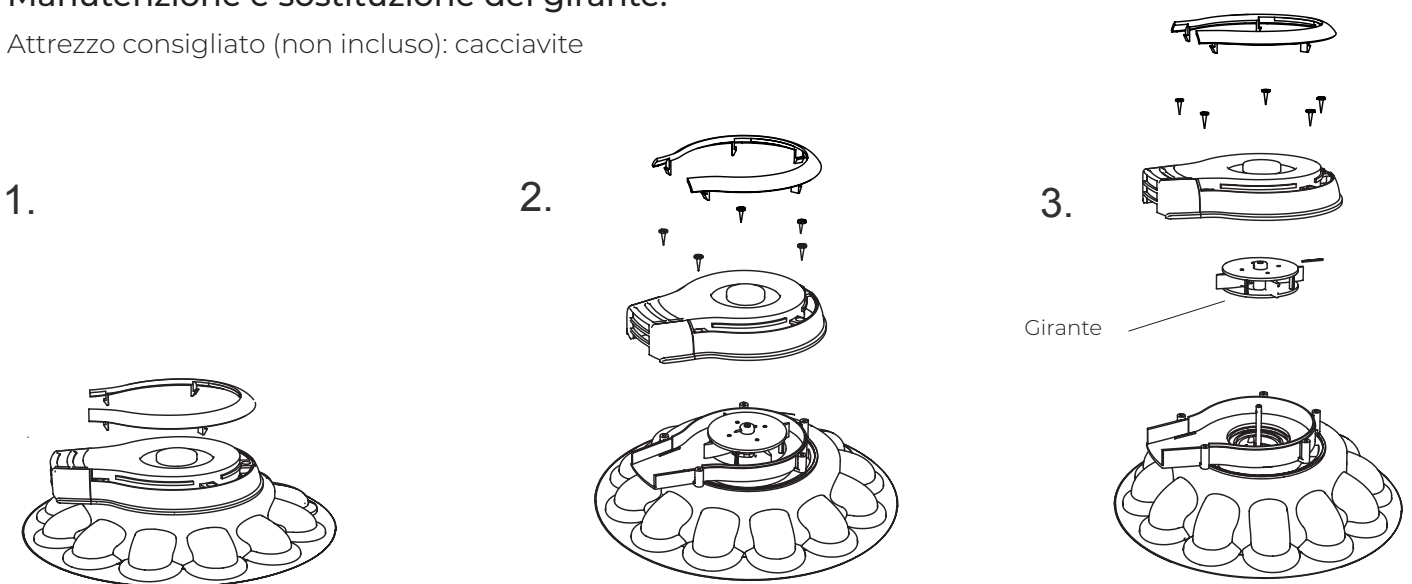
1. La batteria si scarica da sola durante lo stoccaggio. Assicurarsi che il robot sia completamente carico prima dello stoccaggio.
2. Quando non viene utilizzato, occorre caricare la batteria almeno ogni tre mesi..
  - Scollegare l'adattatore esterno dalla presa e in seguito il cavo di carica dall'adattatore esterno e il robot.
  - Rimuovere l'attacco dal robot. Se necessario, risciacquare il robot e gli accessori con acqua corrente. Non utilizzare detersivi.

- Prima dello stoccaggio, assicurarsi che sia asciutto.
- Utilizzare un panno umido per pulire e asciugare il robot e i suoi accessori.
- Riporre in un luogo ben ventilato lontano da luce solare, calore, fiamme, sostanze chimiche della piscina e dai bambini.
- La temperatura di stoccaggio deve essere compresa tra 10 °C – 25 °C (50 °C–77 °C).

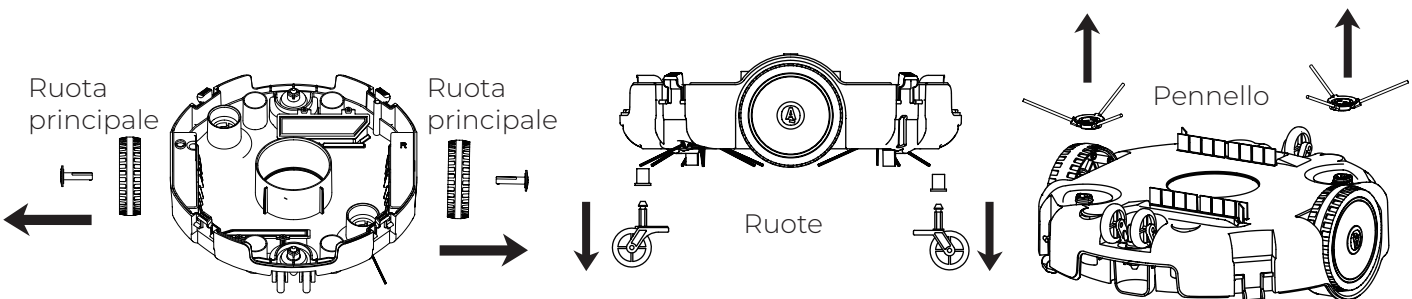
**Nota:** Una temperatura più elevata potrebbe ridurre la vita utile della batteria.

### Manutenzione e sostituzione del girante:

Attrezzo consigliato (non incluso): cacciavite



### Maintenance and replacement of wheels:



**Nota:** la ruota principale ha dei magneti sui lati  
Contattare il rivenditore per la sostituzione o la manutenzione.

## MONTAGGIO E SOSTITUZIONE DELLA BATTERIA

### ⚠ ATTENZIONE



Non trattare gli apparecchi elettrici come rifiuti urbani non classificati, ma utilizzare i centri di raccolta differenziata. Per informazioni sui sistemi di raccolta disponibili, contattare l'amministrazione locale.

- Non rimuovere la batteria al litio senza autorizzazione.
- Quando si rimuove la batteria al litio dal robot, assicurarsi di non indossare anelli, bracciali, collane né orologi.
- La corrente di cortocircuito generata da una batteria è sufficiente ad assorbire un anello (od oggetti simili), causando gravi ustioni.
- Prima di rimuovere il pacco batteria, indossare una protezione per gli occhi, guanti e indumenti protettivi.
- Fare attenzione a non toccare il filo o le parti metalliche per evitare scintille o cortocircuiti.
- Non fumare, non fare scintille né fiamme in

prossimità del pulitore, per non incendiare la batteria né produrre gas.

- Evitare di esporre la batteria al fuoco o a temperature elevate, per evitare di provocare esplosioni.

**Importante:** In caso di perdite, evitare il contatto con la batteria danneggiata e riporla in un sacchetto di plastica.

Se la pelle o gli indumenti vengono a contatto con l'acido, lavarsi immediatamente e abbondantemente con acqua e sapone.

Se gli occhi sono entrati in contatto con l'acido, sciacquarli con acqua per almeno 15 minuti e rivolgersi a un medico per le cure del caso.

### Sostituzione batteria:

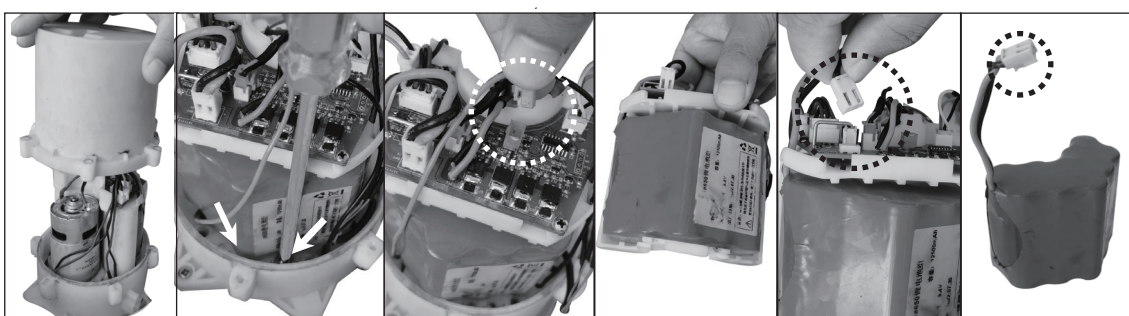
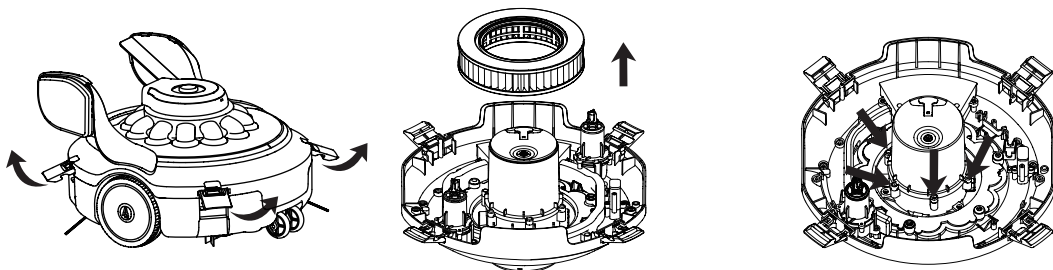


**Nota:** Prima di procedere a qualsiasi sostituzione di batteria l'utente deve consultare il rivenditore.

1. Estrarre i quattro fermi della parte centrale del coperchio superiore e separarla dal gruppo del corpo del coperchio inferiore, quindi estrarre il filtro per micro particelle.
2. Utilizzare un cacciavite per rimuovere tutte le viti presenti sul coperchio di alimentazione del coperchio inferiore.
3. Aprire il coperchio della batteria, individuare la linea di collegamento della medesima, premere la clip sul connettore, estrarlo ed estrarre la batteria.

4. Seguendo le fasi di smontaggio, installare nuovamente la batteria e assemblare le parti di ricarica. Attenzione: (1) Se l'anello di tenuta presenta impurità, pulirlo e reinserirlo nell'apposita scanalatura. (2) Prestare attenzione alla direzione di montaggio. I sei fori delle viti devono essere allineati per poter serrare le viti.

**Importante:** avvolgere immediatamente il connettore con nastro isolante per evitare qualsiasi cortocircuito causato dal contatto tra due terminali di filo.



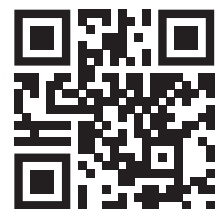
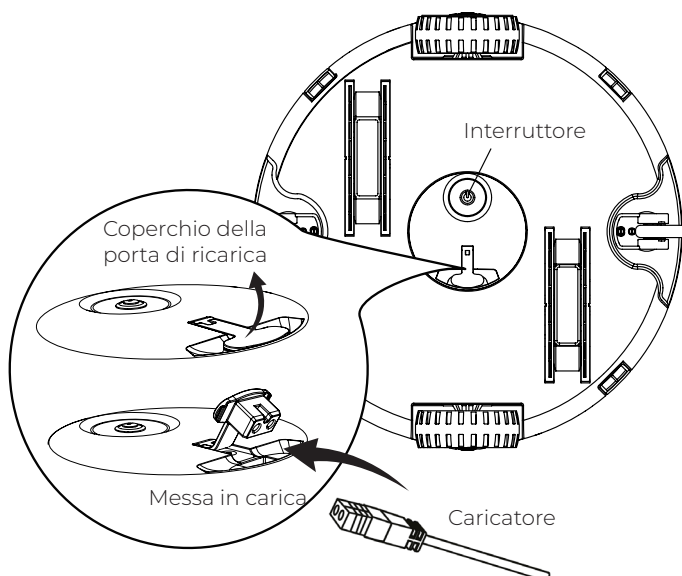
## RISOLUZIONE DEI PROBLEMI

In caso di problemi con il pulitore, seguire le indicazioni riportate prima di ripristinarne l'utilizzo.

**Nota:** spegnere l'apparecchio prima di eseguire qualsiasi riparazione.

PROBLEMA	POSSIBILI CAUSE	SOLUZIONE
Il robot non cattura le parti di sporco.	Il livello della batteria è basso.	Procedere alla carica del robot.
	Girante bloccato.	Spegnere l'alimentazione del robot e controllare visivamente se il girante ruota. Se necessario, contattare il proprio rivenditore per ulteriori istruzioni. Avvertenza! Prima di intervenire sul dispositivo, assicurarsi che sia spento.
	Girante danneggiato.	Contattare il proprio rivenditore per la sostituzione.
	Il vano portaoggetti è pieno.	Pulire il vano portaoggetti e il coperchio del filtro.
Il robot smette di muoversi al centro della piscina (la testa rotante sta ancora girando).	Il robot è stato fermato da un ostacolo. Il terreno non è totalmente livellato	Controllare il pulitore per eventuali ostruzioni. Rimuovere gli ostacoli.
	Il robot è bloccato dall'aspirazione dello scarico principale del pavimento della piscina.	Ci vuole più tempo prima di spostarsi di nuovo o livellare il fondo della piscina o tagliare la striscia della spazzola inferiore. Contattare il proprio rivenditore per le parti di ricambio.
	Il terreno non è totalmente livellato	It takes more minutes before moving again or Make the bottom of the pool flat or trim the bottom brush strip. Contact your dealer for replacement parts.
Il robot non può coprire l'intera piscina / muoversi lungo la parete della piscina.	Il vano portaoggetti è pieno.	Pulire il vano portaoggetti e il coperchio del filtro.
	Il tempo di funzionamento è stato più breve del previsto.	Pulire la camera del filtro e ricaricare il robot per 4-5 ore.
	La circolazione dell'acqua generata dal sistema di filtrazione interrompe la direzione del movimento.	Spegnere il sistema di filtrazione (fare riferimento alle istruzioni presenti nel manuale).
	La ruota è bloccata.	Controllare e rimuovere le parti di sporco.
Il robot si muove lentamente.	Il vano portaoggetti è pieno.	Pulire il vano portaoggetti e il coperchio del filtro.
La testa girevole non ruota o ruota lentamente.	Il fondo del girante è bloccato.	Il vano portaoggetti è pieno, controllare e rimuovere eventuali parti di sporco che potrebbero essere incastrate sotto la testa rotante. Può essere ruotato a mano e risciacquato con acqua fino a che non risulta liscio.
	Il vano portaoggetti è pieno.	Pulire il vano portaoggetti e il coperchio del filtro.

PROBLEMA	POSSIBILI CAUSE	SOLUZIONE
I detriti sono fuoriusciti dal robot.	La valvola dell'ugello di aspirazione (fondo del pulitore) è rotta.	Il deflettore sulla ventosa è come una porta per impedire la fuoriuscita di detriti dalla camera dei detriti. Contattare il proprio rivenditore per parti di ricambio e istruzioni.
I detriti penetrano all'esterno del coperchio del filtro.	Il coperchio del filtro è danneggiato.	Sostituire il coperchio del filtro con uno nuovo. Contattare il proprio rivenditore per le parti di ricambio.
Se sul caricatore compare la luce rossa per tutto il tempo, non può passare a verde per oltre 8 ore.	Danno alla batteria.	Contattare il rivenditore per sostituire la batteria. Avvertenza! Non accendere il robot e sostituire la batteria da soli. Ciò può causare lesioni gravi o mortali, e annullerà la validità della garanzia.
Se il caricatore passa a verde in brevissimo tempo e anche il dispositivo viene messo in funzione solo per un breve periodo tempo (entro mezz'ora, Necessita di più convalide).		
Quando il prodotto inizia a caricare dopo aver terminato l'operazione, se sul caricatore compare la luce verde per tutto il tempo. (Assicurarsi che il cavo del caricatore sia correttamente e completamente collegato all'adattatore e al robot esterno.)	Danno al caricatore..	Contattare il rivenditore per la sostituzione. Avvertenza! L'uso di un adattatore esterno sbagliato provocherà danni al robot / alla batteria e annullerà la garanzia.
Se sul caricatore non si accende più alcuna luce.		
Pulsante non funzionante o spento.*	C'è sporco intorno al sensore o ossidazione del sensore.	Pulire il sensore con carta, panno o spazzola, come da foto; oppure vedere il video online.



**You Tube**

### ASPETTI GENERALI

- Ai sensi delle seguenti disposizioni, il venditore garantisce che il prodotto corrispondente a questa garanzia ("il Prodotto") non presenta alcun difetto di conformità al momento della sua consegna.
- Il Periodo di Garanzia per il Prodotto è di due (2) anni a decorrere dal momento della consegna dello stesso all'acquirente.
- Nel caso in cui si venisse a produrre un difetto di conformità del Prodotto e l'acquirente lo notificasse al venditore entro il Periodo di Garanzia, il venditore dovrà riparare o sostituire il Prodotto a sue spese nel luogo che consideri opportuno, salvo che ciò risulti impossibile o sproporzionato.
- Qualora non fosse possibile riparare o sostituire il Prodotto, l'acquirente potrà richiedere una riduzione proporzionale del prezzo o, nel caso in cui il difetto di conformità fosse sufficientemente importante, lo scioglimento del contratto di vendita.
- Le parti sostituite o riparate in virtù della presente garanzia non rappresenteranno un prolungamento della scadenza della garanzia del Prodotto originale, quantunque disporranno di una loro propria garanzia.
- Affinché la presente possa essere valida, l'acquirente dovrà attestare la data di acquisto e consegna di del Prodotto.
- Una volta trascorsi più di sei mesi dalla consegna del Prodotto all'acquirente, qualora quest'ultimo dichiarò un difetto di conformità del medesimo, l'acquirente dovrà attestare l'origine e l'esistenza del difetto dichiarato.
- Il presente Certificato di Garanzia non limita o preclude i diritti che corrispondano ai consumatori in virtù delle norme nazionali di carattere imperativo.

### CONDIZIONI PARTICOLARI

- La presente garanzia copre i prodotti ai quali si riferisce questo manuale.
- Il presente Certificato di Garanzia avrà vigore unicamente nell'ambito dei paesi dell'Unione Europea.
- Per la validità di questa garanzia, l'acquirente dovrà rispettare in maniera rigorosa le indicazioni del Fabbricante indicate nella documentazione che viene allegata al Prodotto, quando questa risulti applicabile secondo la gamma e il modello del Prodotto.
- Nel caso in cui venga specificato un calendario per la sostituzione, la manutenzione o la pulizia di determinati pezzi o componenti del Prodotto, la garanzia sarà valida solo quando qualora detto calendario sia stato rispettato in maniera corretta.

### LIMITAZIONI

- La presente garanzia sarà valida unicamente per le vendite realizzate a consumatori, laddove per "consumatori" s'intende quella persona che acquista il Prodotto con scopi che non rientrano nell'ambito della sua attività professionale.
- Non viene concessa alcuna garanzia nei riguardi del normale consumo per uso del prodotto. In merito ai pezzi, ai componenti e/o ai materiali fusibili o consumabili come pile, lampadine, ecc., ove sussista si applicherà quanto disposto nella documentazione che è allegata al Prodotto.
- La garanzia non copre i casi in cui il Prodotto: (I) sia stato oggetto di un uso non corretto; (II) sia stato riparato, manipolato o la manutenzione sia stata effettuata da una persona non autorizzata o (III) sia stato riparato o la manutenzione sia stata effettuata con pezzi non originali. Qualora il difetto di conformità del Prodotto sia conseguenza di una installazione o messa in marcia non corretta, la presente garanzia risponderà solo nel caso in cui la suddetta installazione o messa in marcia sia compresa nel contratto di compravendita del Prodotto e sia stata realizzata dal venditore o sotto la sua responsabilità.



### CONTENITORE DELLA SPAZZATURA, SBARRATO

- Allo scopo di ridurre la quantità di residui di apparati elettrici ed elettronici, la pericolosità dei componenti, promuovere il riutilizzo degli apparecchi, la valutazione dei loro residui e determinare una gestione adeguata cercando di migliorare l'efficacia della protezione ambientale, si stabiliscono una serie di norme applicabili alla fabbricazione del prodotto ed altre relative alla corretta gestione ambientale quando si trasformino in residui.
- Allo stesso modo, si cerca di migliorare il comportamento ambientale di tutti gli agenti che intervengono nel ciclo vitale degli apparecchi elettrici ed elettronici, come i produttori, i distributori, i consumatori e, in particolare, il comportamento di quegli agenti direttamente implicati nella gestione dei residui derivati da questi apparecchi.
- A partire dal 13 agosto del 2005, quando vorrà disfarsi di questo apparecchio, avrà due possibili sistemi di rottamazione a sua disposizione:
- Se acquista un apparecchio nuovo che sia di tipo equivalente o che svolga le stesse funzioni di quello da rottamare, potrà consegnarlo direttamente al distributore, senza alcun costo, al momento dell'acquisto;
- Potrà portarlo nel luogo appositamente destinato dai vari enti locali.
- Noi ci faremo carico dei costi di gestione.
- Gli apparecchi sono etichettati con il simbolo di un "contenitore della spazzatura, sbarrato", questo simbolo indica la necessaria raccolta selettiva e differenziata dal resto della spazzatura urbana.
- I nostri prodotti sono progettati e fabbricati con materiali e componenti di elevata qualità, che rispettano l'ambiente, che possono essere riutilizzati e riciclati. Pur in questo caso, le varie parti che compongono questo prodotto non sono biodegradabili, per cui non devono essere abbandonate nell'ambiente. Per il riciclaggio corretto di questo prodotto, stacchi il motore dal resto dell'apparecchio di filtrazione.

## VEILIGHEIDSWAARSCHUWING

### WAARSCHUWING

De reiniger is geen speelgoed en moet worden bediend door personen ouder dan 8 jaar.

Alle personen die de reiniger bedienen, moeten de handleiding zorgvuldig lezen voor gebruik.

1. Apparaten mogen worden gebruikt door kinderen vanaf 8 jaar en door personen met verminderde zintuiglijke of geestelijke vermogens of met gebrek aan ervaring en kennis, als zij onder toezicht staan of instructies hebben gekregen over het veilige gebruik van het apparaat en begrijpen welke risico's eraan verbonden zijn.
2. Kinderen mogen niet met het apparaat spelen.
3. De reiniging en het onderhoud waar de gebruiker voor instaat, mogen niet worden uitgevoerd door kinderen. De reiniger is ontworpen om zwembaden schoon te maken.
4. De reiniger is ontworpen om zwembaden schoon te maken. Gebruik steeds de originele accu en lader.
5. Plaats de robot op een schone en droge plaats. Stel hem niet bloot aan de zon of in de buurt van explosieven.
6. Blijf uit de buurt van de vacuümkop tijdens de werking, door de zuigkracht kunt u, uw kinderen of huisdieren letsel oplopen doordat huid, haar of kleding worden vastgezoogen.
7. Reiniger niet demonteren zonder professionele aanwijzingen door kennisgeving aan de erkende distributeur of fabrikant.
8. Mors geen smeerolie, daardoor raakt het water vervuild.
9. Stop om de reiniger te laten werken als er iets niet goed is; neem contact op met de erkende distributeur of vervang kapotte delen met originele onderdelen/accessoires.
10. Werkomstandigheden van de reiniger:
  - 11.1 Maximale waterdiepte voor gebruik: 40 - 300cm.
  - 11.2 Watertemperatuur: 4°C (39.2°F) -35°C (95°F)

#### 1. USB-kabel

1. Alleen een uitgangsspanning van 5 V is toegestaan voor de oplader met USB-aansluiting.
2. Alleen voor gebruik binnenshuis. De oplader mag niet buiten worden gebruikt en mag niet worden blootgesteld aan regen, vocht, vloeistoffen of hitte.
3. Houd de oplader buiten het bereik van kinderen.
4. Gebruik de oplader nooit als er schade wordt geconstateerd.
5. De stofzuiger en de oplader niet met natte handen en blote voeten aanraken als u de stofzuiger oplaadt.
6. Haal de oplader uit het stopcontact wanneer u hem niet gebruikt.
7. Vervang de oplader volledig wanneer de USB-kabel beschadigd is.
8. De reiniger, de USB-kabel en de oplader moeten volledig droog zijn voordat u begint op te laden.
9. Laad de reiniger vóór het eerste gebruik op gedurende 5 uur. Wanneer de reiniger volledig is opgeladen, kan hij normaal gezien ongeveer 30 minuten lang werken.

#### 2. Accu verwijderen

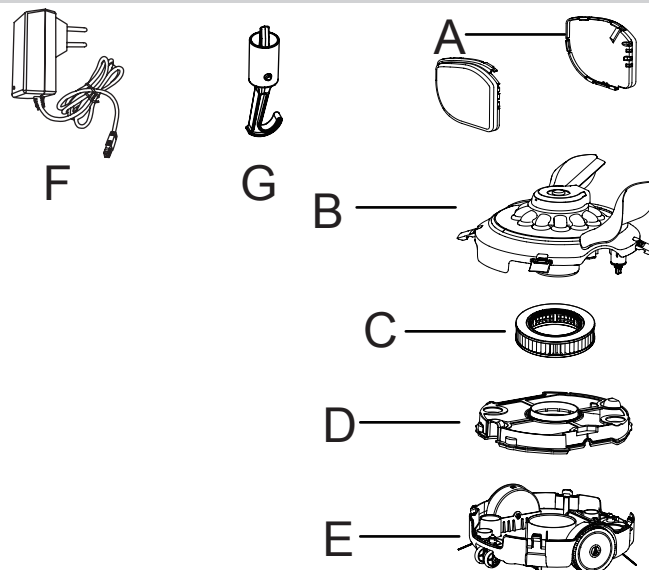
1. De stofzuiger is voorzien van een lithium-accu, deze moet op de juiste manier worden verwijderd. Neem daarvoor contact op met uw gemeente voor meer informatie.
2. Probeer nooit de lithium-accu te demonteren.
3. Verwijder alle persoonlijke zaken zoals ringen, armbanden, kettingen en horloges als u een lithiumaccu loskoppelt uit de stofzuigerunit.
4. De accu veroorzaakt kortsluiting, maar ook ernstige brandwonden als de stroomsterkte te hoog is.
5. Draag volledige oogbescherming, handschoenen en beschermende kleding wanneer u de accu verwijdert.
6. Niet roken en vermijd vuurvonken in de buurt van de reiniger, hierdoor kunnen gevaarlijke gassen ontstaan.
7. Als het zuur in contact komt met de huid of uw kleding, moet u zich onmiddellijk wassen met veel water en zeep.
8. Als het zuur in contact komt met de ogen, moet het oog onmiddellijk met stromend koud water worden gespoeld gedurende ten minste 15 minuten.

**Bovenstaande waarschuwingen en voorzorgsmaatregelen zijn niet bedoeld om alle mogelijke gevallen van risico's en/of ernstig letsel op te nemen.** Eigenaars van zwembaden/spa's moeten altijd zeer voorzichtig en met gezond verstand te werk gaan bij het gebruik van de reiniger.



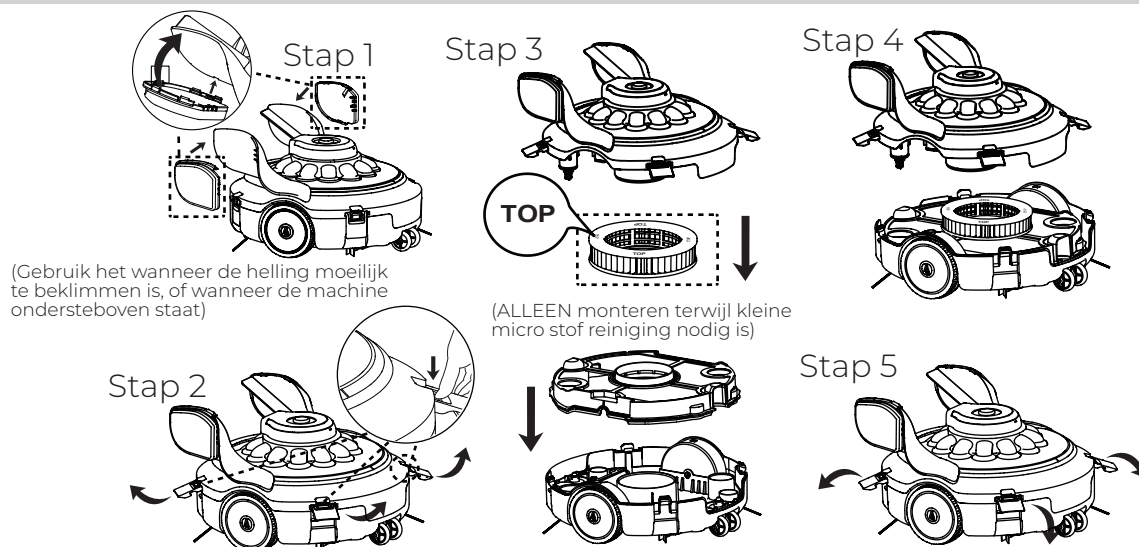
## MONTAGE

- A: Drijver
- B: Bovenste afdekking
- C: Patroonfilter (Montage en reiniging ALLEEN voor klein microstof)
- D: Filter
- E: Onderkant basis
- F: Oplader
- G: Hakk



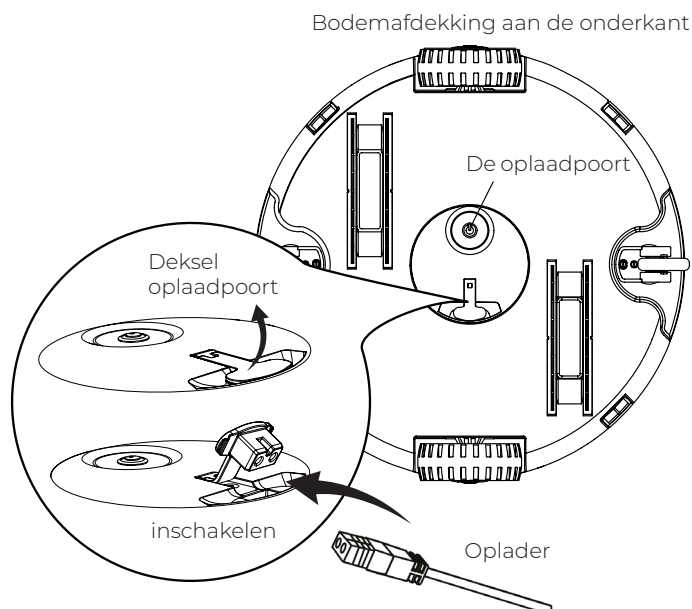
Er zit een roterende straalkop aan de bovenklep, het water stroomt van de onderkant naar de straalkop om de robot in beweging te brengen. Als hij naar een obstakel tegenkomt, draait de straalkop 180 graden en beweegt de robot langs een andere lijn rond het obstakel. Het vuil wordt verzameld en opgeslagen doordat de onderste filterkamer.

## MONTAGE EN WERKING

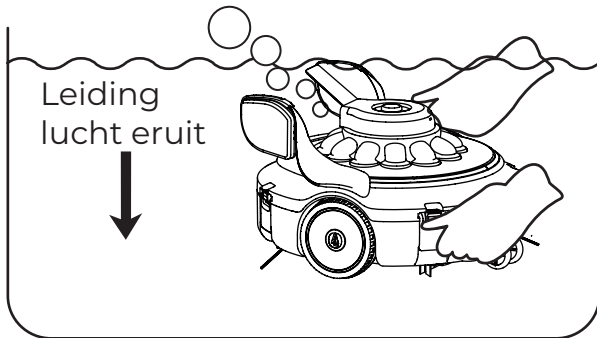


### Waarschuwing bij opladen:

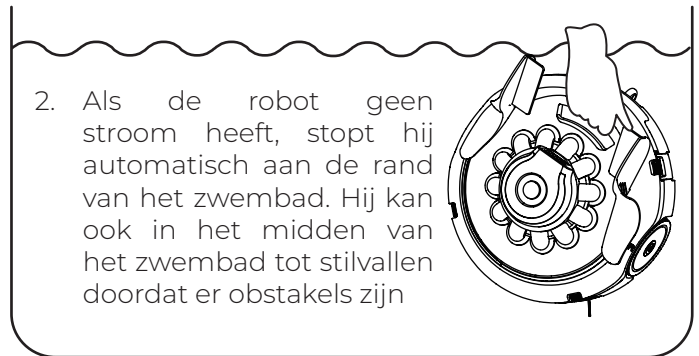
- Gebruik alleen de bijgeleverde originele externe adapter en oplaadkabel.
  - Controleer voor het aansluiten of de robot en oplaadcontacten schoon en droog zijn.
  - Laad de robot op voor het eerste gebruik (ongeveer 8 uur)
1. Verwijder het deksel van de oplaadpoort alvorens op te laden.
  2. Steek de lader in de oplaadpoort en begin op te laden.
- Let op:** Zodra de robot begint met opladen, wordt het indicatielampje op de externe adapter rood. Als de robot bijna volledig is opgeladen, wordt het indicatielampje groen.
3. Breng na het opladen het deksel weer aan op de oplaadpoort en controleer of het deksel volledig is afgedicht voordat u het toestel in het water laat.



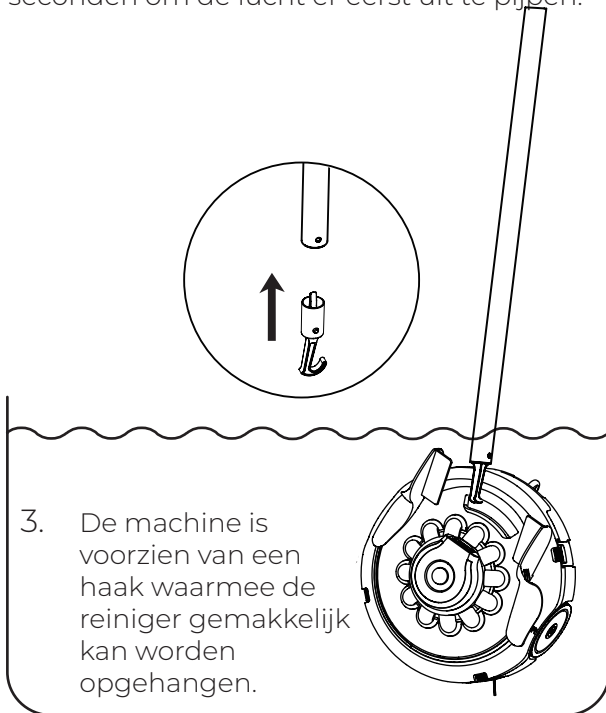
## AANZETTEN



1. Zet de schakelaar aan, de indicator licht op, plaats de robot horizontaal in het zwembad en wacht tot de robot vrij naar de bodem van het zwembad zinkt. Het duurt ongeveer 20-30 seconden om de lucht er eerst uit te pijpen.



2. Als de robot geen stroom heeft, stopt hij automatisch aan de rand van het zwembad. Hij kan ook in het midden van het zwembad tot stilvallen doordat er obstakels zijn

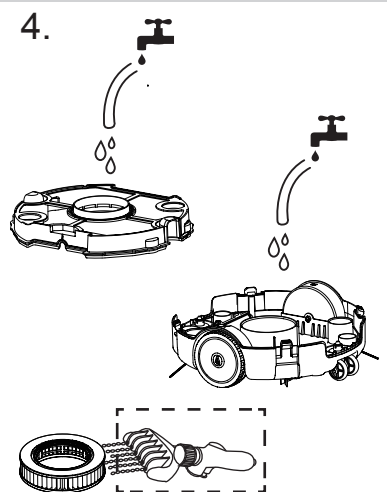
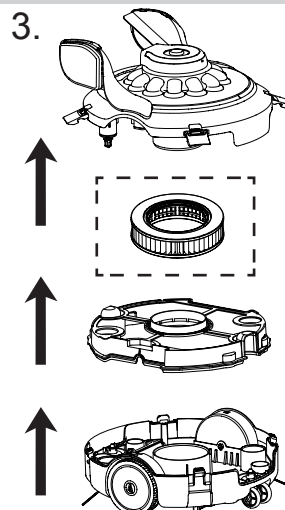
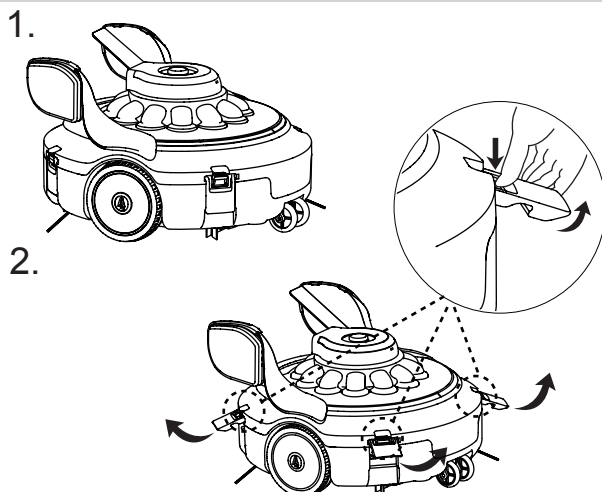


3. De machine is voorzien van een haak waarmee de reiniger gemakkelijk kan worden opgehangen.

### Let op:

1. Het wordt aanbevolen om het filtersysteem uit te schakelen, aangezien de watercirculatie in het zwembad invloed kan hebben op de bewegingsmodus van de robot.
2. Elk obstakel in het zwembad, bijv. een trap, heeft invloed op het schoonmaakpad van de robot;
3. Als u een zoutwatertank gebruikt, zorg er dan voor dat al het zout is opgelost voordat u de robot in het water plaatst.

## VUIL VERWIJDEREN



Filterreiniger (niet inbegrepen in)

## ONDERHOUD EN OPSLAG

1. De accu ontladde zichzelf tijdens opslag. Zorg ervoor dat de robot volledig is opgeladen voordat u hem opbergt.
  2. Als u de robot niet gebruikt, moet u de batterij minstens een keer in de drie maanden opladen.
- Koppel de externe adapter los van het stopcontact en haal vervolgens de oplaadkabel uit de externe adapter en uit de robot.
  - Verwijder het opzetstuk van de robot. Spoel de robot en accessoires indien nodig af met schoon water. Gebruik geen schoonmaakmiddelen.

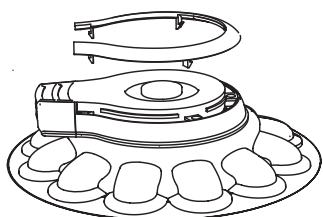
- Zorg ervoor dat de robot is leeggelopen voordat u hem opbergt.
- Gebruik een vochtige doek om de robot en zijn accessoires schoon te maken en af te drogen.
- Bewaar op een goed geventileerde plaats, buiten het bereik van direct zonlicht, hitte, vuur, zwembadchemicaliën en kinderen.
- De omgevingstemperatuur van de opslagruimte moet tussen de 10 °C - 25 °C (50 °F - 77 °F) zijn.

**Let op:** hogere opslagtemperaturen kunnen de levensduur van de accu verkorten.

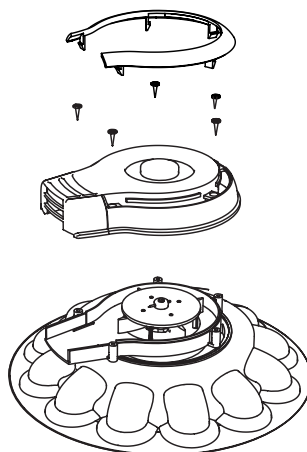
### Onderhoud en vervanging van de waaier:

Aanbevolen gereedschap (niet meegeleverd): schroevendraaier

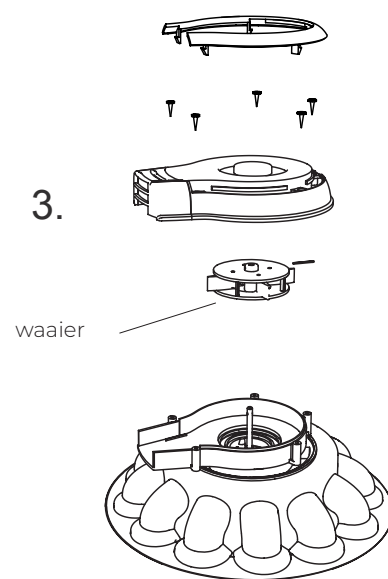
1.



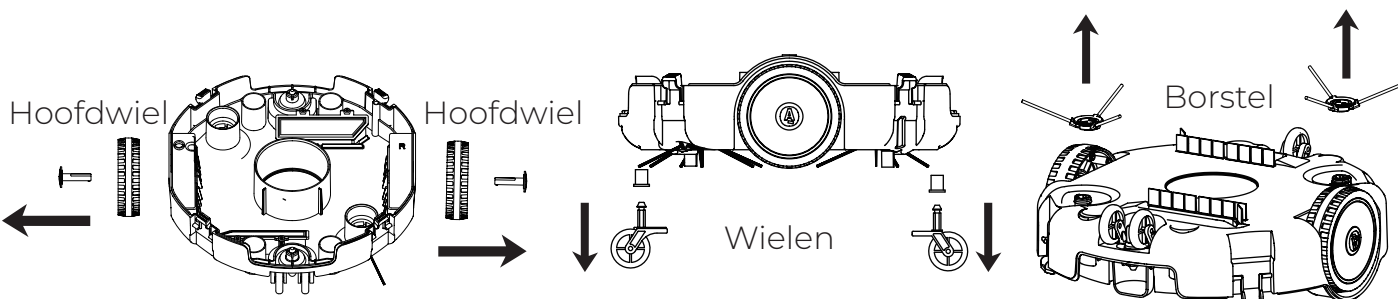
2.



3.



### Onderhoud en vervanging van de wielen:



**Let op:** Het hoofdwiel aan deze kant bevat magneten. Neem contact op met de dealer voor vervanging of onderhoud.

## ACCU AANBRENGEN EN VERVANGEN

### ! WAARSCHUWING



Behandel elektrische apparaten niet als gewoon huishoudelijk afval, maar breng ze naar inzamel- en sorteercentra. Neem contact op met de plaatselijke overheid voor informatie over beschikbare inzamelsystemen.

- Verwijder de lithiumaccu niet zonder toestemming.
- Trek eerst ringen, armbanden, halskettingen en horloges uit alvorens de lithiumaccu uit de robot te verwijderen.
- Een accu kan voldoende kortsluitstroom genereren om ringen of vergelijkbare voorwerpen te adsorberen en ernstige brandwonden te veroorzaken.
- Draag een veiligheidsbril, handschoenen en beschermende kleding om de accu te verwijderen.
- Let op dat u de kabels en metalen onderdelen niet aanraakt, want dat kan vonken of kortsluiting veroorzaken.
- Rook niet in de buurt van de robot en bescherm

het toestel tegen vonken of vlammen. Anders kan de accu vuur vatten en kan er gas vrijkomen.

- Stel de accu niet bloot aan vuur of hoge temperaturen, om ontploffing te voorkomen.

#### Let op!

Vermijd elk contact met lekkende accu's. Raak ze niet aan zonder handschoenen en stop ze in een plastic zak.

Was huid of kleren die in contact zijn gekomen met zuur onmiddellijk af met veel zeep en water.

Spoel ogen na contact met zuur gedurende minstens 15 minuten met water en raadpleeg een arts.

### Accu vervangen:



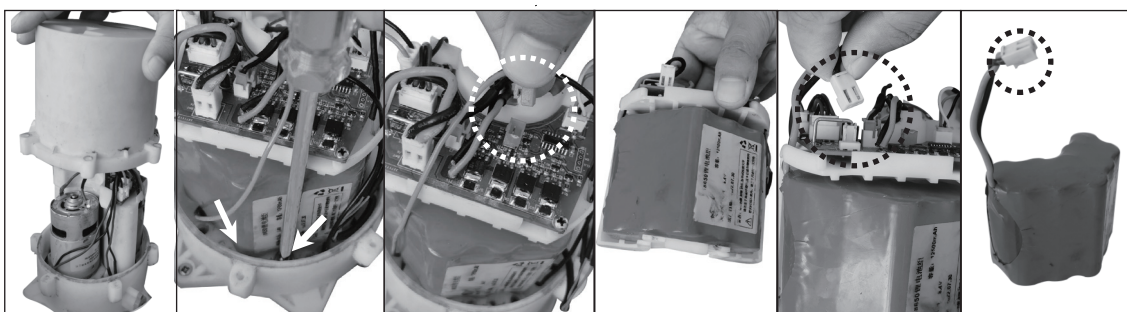
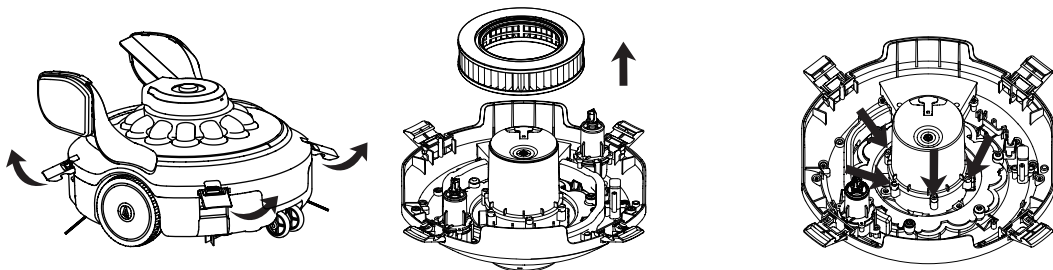
**Opmerking:** raadpleeg uw dealer alvorens de accu te vervangen.

1. Trek de vier clips in het midden van het bovengedeelte naar buiten om dat gedeelte los te maken van de onderkant. Haal het microdeeltjesfilter uit het bovengedeelte.
2. Maak met een schroevendraaier alle schroeven los waarmee het accudeksel vastzit.
3. Open het accudeksel, zoek de aansluitkabel van de accu, druk op de klem op de connector, haal de kabel uit de connector en verwijder de accu.

4. Voer voorgaande stappen in omgekeerde volgorde uit om de accu en reserveonderdelen weer aan te brengen. **Opmerking:** (1) Verwijder eventueel vuil van de afdichtring en breng deze weer aan in de overeenkomstige groef. (2) Let op de montagerichting. De zes schroefgaten moeten uitgelijnd zijn om de schroeven volledig te kunnen aanhalen.



**Opmerking:** wikkel onmiddellijk isolatietape rond de connector om kortsluiting tussen twee kabeluiteinden te voorkomen.

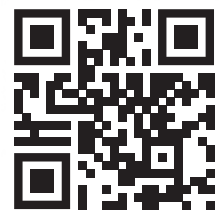
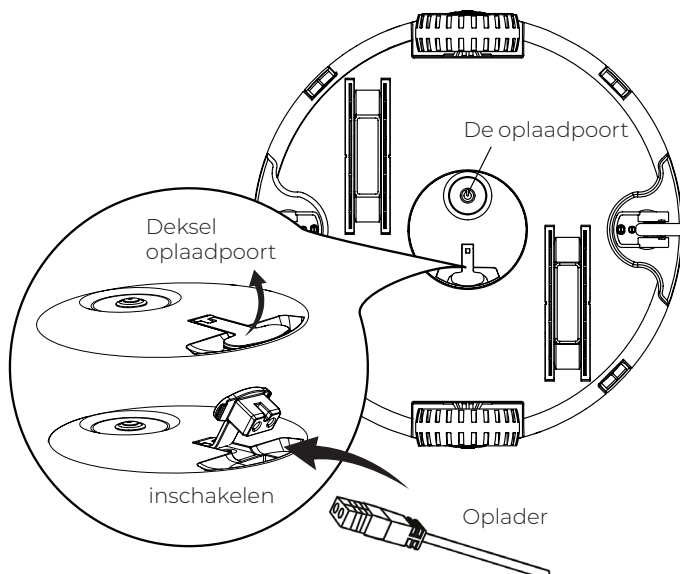


## PROBLEMEN OPLOSSEN

Als u problemen heeft met uw stofzuiger, volgt u de onderstaande stappen voor probleemoplossing om de normale werking te herstellen. **Let op:** Schakel de stroom uit voordat u reparaties uitvoert.

PROBLEEM	MOGELIJKE OORZAKEN	OPLOSSING
De robot zuigt geen vuil op.	De accu is leeg.	Laad de robot op.
	De waaier zit vast.	Schakel de voeding van de robot uit en controleer visueel of de waaier draait. Neem indien nodig contact op met uw dealer voor verdere instructies. Waarschuwing! Zorg ervoor dat de robot is uitgeschakeld voordat u onderhoud aan het apparaat uitvoert.
	De waaier is defect.	Neem contact op met de dealer voor vervangende onderdelen.
	Het vuilreservoir zit vol.	Reinig het vuilreservoir en het filterdeksel.
De robot stopt met bewegen in het midden van het zwembad (de roterende kop draait nog wel).	De robot is gestopt vanwege een obstakel.	Schakel het filtersysteem uit (zie instructies in de handleiding).
	De robot zit vast door de zuigkracht van de afvoer in de bodem van het zwembad.	Turn off the filtration system (see instructions in the manual).
	De bodem is niet helemaal vlak.	Het kan enkele minuten duren voordat de root weer verder gaat. Zo niet, kunt u de bodem van het zwembad glad trekken of de onderste onderste borstelstrip afknippen. Neem contact op met de dealer voor vervangende onderdelen.
De robot kan niet het hele zwembad afwerken / langs de wand van het zwembad bewegen.	Het vuilreservoir zit vol.	Reinig het vuilreservoir en het filterdeksel.
	De werkingstijd was korter dan verwacht.	Maak de filterkamer schoon en laad de robot gedurende 4-5 uur op.
	De watercirculatie die door het filtersysteem wordt gegenereerd, onderbreekt de bewegingsrichting.	Schakel het filtersysteem uit (zie instructies in de handleiding).
	Het wiel is geblokkeerd.	Controleer de wielen en verwijder vuilresten.
De robot beweegt langzaam	Het vuilreservoir zit vol.	Reinig het vuilreservoir en het filterdeksel.
De draaikop draait niet of draait duidelijk te langzaam.	De onderkant van de wartel zit vast.	Het vuilreservoir is vol; controleer en verwijder al het vuil dat mogelijk onder de roterende kop vastzit. Hij kan met de hand worden gedraaid en met water worden afgespoeld tot hij schoon is.
	Het vuilreservoir zit vol.	Reinig de vuilreservoir en het filterdeksel.

PROBLEEM	MOGELIJKE OORZAKEN	OPLOSSING
Het vuil loopt weg uit de robot.	De klep van de zuigmond (onderkant stofzuiger) is kapot.	De klep bij de zuigkop werkt als een klep die voorkomt dat er vuil uit het vuilreservoir ontsnapt. Neem contact op met uw dealer voor vervangende onderdelen en instructies.
Er lekt vuil uit de buitenkant van het filterdeksel.	Het filterdeksel is beschadigd.	Vervang de filterafdekking voor een nieuwe. Neem contact op met de dealer voor vervangende onderdelen.
Als de oplader de hele tijd rood licht geeft, en hij verandert niet meer binnen 8 uur naar groen	Accu defect.	Neem contact op met de dealer om de accu te vervangen. Waarschuwing! De robot niet aanzetten en de accu niet zelf vervangen. Dit kan ernstig of dodelijk letsel veroorzaken en dus zal de garantie komen te vervallen.
Als het lampje op de oplader heel snel naar groen springt, en het apparaat ook alleen maar heel kort werkt (minder dan een half uur), moeten er meerdere dingen worden nagekeken.		
Als het apparaat begint met opladen nadat het werk klaar is, brandt het groene lampje op de oplader constant. (Zorg ervoor dat de oplaadkabel goed en helemaal is aangesloten op de externe adapter en de robot.)	Oplader is beschadigd.	Neem contact op met de dealer voor vervanging. Waarschuwing! Het gebruik van de verkeerde externe adapter leidt tot schade aan de robot/accu en maakt de garantie ongeldig.
Als het oplaadlampje niet meer brandt.		
Schakelaar werkt niet of uit. *	Er zit rommel rond de sensor of de sensor is geoxideerd.	Maak de sensor schoon met papier, een doek of een borstel, zoals de foto's, of zie video online.



YouTube



## ALGEMENE ASPEKTEN

- In overeenkomst met de voorliggende bepalingen wordt door de verkoper gegarandeerd dat het produkt verkocht onder deze garantie ("het Produkt") geen enkel defekt vertoont op het moment van levering.
- De Garantieperiode voor het Produkt bedraagt twee (2) jaar en is geldig vanaf het moment dat het Produkt aan de koper geleverd wordt.
- Indien er zich een defekt aan het Produkt zou voordoen en de koper dit zou mededelen aan de verkoper gedurende de geldige Garantieperiode, dan zal de verkoper het Produkt repareren of laten repareren op zijn eigen kosten alwaar de verkoper dit geschikt zou achten, behalve in het geval dat dit onmogelijk of buitensporig zou zijn.
- Indien het Produkt niet gerepareerd of vervangen kan worden, dan kan de koper na verhouding prijsreductie aanvragen, of, indien het defekt belangrijk genoeg is, de ontbinding van het verkoopcontract aanvragen.
- Die delen van het Produkt die onder deze Garantie vervangen of gerepareerd zijn, kunnen de duur van de Garantieperiode voor het oorspronkelijke Produkt niet verlengen, maar zullen beschikken over een eigen garantie.
- Voor de toepassing van deze garantie moet de koper de aankoopdatum en de levering van het Produkt kunnen aantonen.
- Indien er meer dan zes maanden verlopen zijn sinds de levering van het Produkt aan de koper, en deze plotseling aangeeft dat het Produkt niet aan de eisen voldoet, dan zal de koper de oorsprong en het bestaan van de volgens hem bestaande defecten moeten kunnen aantonen.
- Dit Garantiecertificaat beperkt of veroordeelt niet bij voorbaat de rechten die de gebruikers hebben en die gebaseerd zijn op nationale normen.

## BIJZONDERE VOORWAARDEN

- Deze garantie dekt de produkten waarnaar deze handleiding verwijst.
- Het huidige Garantiecertificaat is slechts van toepassing in landen van de Europese Unie.
- Voor de toepassing van deze garantie en in geval deze garantie van toepassing is al naar gelang de serie en het model van het Produkt, moet de koper de aanwijzingen van de Fabrikant in de documenten die bij het Produkt bijgesloten zijn, strikt opvolgen.
- Indien er een tijdsperiode vastgesteld wordt voor de vervanging, het onderhoud of het reinigen van verschillende delen of onderdelen van het Produkt, dan is de garantie alleen geldig in geval deze tijdsperiode strikt aangehouden is.

## BEPERKINGEN

- De huidige garantie is uitsluitend geldig bij verkoop aan gebruikers, waarbij onder "gebruiker" verstaan wordt een persoon die het Produkt aanschafft met een doel dat niet binnen het gebied van zijn professionele activiteiten valt.
- Er bestaat geen garantie in verband met normale slijtage bij gebruik van het Produkt. Wat betreft de delen, componenten en/of vervangbare of verbruiksmaterialen zoals batterijen, gloeilampen, enz. zal men zich moeten richten naar hetgeen in de documenten staat die het Produkt vergezellen.
- De garantie dekt niet de gevallen waarbij het Produkt (i) onderhevig is geweest aan ongepast gebruik, (ii) gerepareerd, onderhouden of gemanipuleerd is door een persoon die daarvoor geen toestemming heeft, of (iii) gerepareerd of onderhouden is met niet oorspronkelijke onderdelen. Indien het defekt van het Produkt het gevolg is van een incorrecte installering of ingebruikneming, dan is deze garantie slechts van toepassing indien de installering of ingebruikneming in kwestie in het contract van koop en verkoop van het produkt opgenomen is en door de verkoper of onder diens verantwoording uitgevoerd is.



## EEN DOORGESTREEPTE AFVALCONTAINER MET WIELEN

- Teneinde het afval afkomstig van elektrische en elektronische apparaten en de schadelijke effecten van de diverse onderdelen te verminderen, het hergebruik van apparaten en de evaluatie van de effecten van het afval te bevorderen, en een gepast beheer en de bescherming van het milieu te bevorderen, zijn een aantal regels vastgesteld aangaande de fabricage van dit product alsmede de correcte milieubewuste verwerking van het apparaat wanneer het eenmaal wordt afgevoerd.
- Bovendien is het de bedoeling de milieubewuste verwerking door alle agenten die bij de gebruikscyclus van de elektrische en elektronische apparaten betrokken zijn te verbeteren, zoals bijvoorbeeld leveranciers, distributeurs, gebruikers, en in het bijzonder de agenten die direct betrokken zijn bij de verwerking van het afval afkomstig van deze apparaten.
- Met ingang van 13 augustus 2005 kunt u uit twee mogelijkheden kiezen wanneer u dit apparaat wilt weggooien:
- Wanneer u een nieuw exemplaar aanschafft van een vergelijkbaar type of dat dezelfde functies verricht als het weg te gooien exemplaar, kunt u het oude exemplaar zonder kosten bij de distributeur inleveren bij de aankoop van het nieuwe · Of u kunt het naar de afvalverwerking brengen volgens de voorschriften van de lokale overheid.
- Wij zullen de kosten van deze handelingen op ons nemen.
- De apparaten zijn voorzien van een etiket met het symbool van "een doorgestreepte afvalcontainer met wielen"; dit symbool geeft aan dat het apparaat niet met het gewone afval gemengd en apart verwerkt moet worden.
- Onze producten zijn ontworpen en gefabriceerd op basis van materialen en onderdelen van hoge kwaliteit die het milieu ontzien en die hergebruikt en gerecycled kunnen worden. Desondanks zijn de diverse onderdelen van dit product niet biologisch afbreekbaar, zodat deze niet in het milieu achtergelaten mogen worden. Om dit produkt korrekt te recyclen, relieve de elektrische motor van de Filterset los maken.

## ADVERTÊNCIA DE SEGURANÇA

### ADVERTÊNCIA

O robô limpa-fundos não é um brinquedo, e deve ser manipulado por uma pessoa maior de 8 anos. Qualquer pessoa que maneye o limpa-fundos deve ler atentamente o manual de instruções antes de o utilizar.

1. Os aparelhos podem ser utilizados por crianças com idade igual ou superior a 8 anos e por pessoas com capacidades físicas, sensoriais ou mentais reduzidas, ou com falta de experiência e conhecimentos, se receberem supervisão ou instruções sobre a utilização segura do aparelho e se compreenderem os perigos envolvidos.
2. As crianças não devem brincar com o aparelho
3. A limpeza e a manutenção a efetuar pelo utilizador não devem ser realizadas por crianças. O limpa-folhas foi desenhado para limpar piscinas.
4. Por favor, utilize as pilhas e o carregador originais quando o utilizar. Carregue o limpa-folhas apenas quando este estiver desligado.
5. Guarde o robô limpa-fundos num lugar limpo e seco, protegido da luz solar e afastado de materiais explosivos.
6. Não situe nenhum objeto perto da tampa de aspiração quando o robô estiver em funcionamento, devido à sua potência de sucção, em especial partes do corpo, animais, cabelos ou roupas.
7. Não desmonte o limpa-fundos sem assistência profissional, ou indicações do distribuidor autorizado ou do fabricante.
8. Não deixe que o óleo lubrificante lubrificante se filtre para evitar contaminar a água da piscina.
9. Não utilize o limpa-fundos se detetar qualquer problema. Contacte o seu distribuidor autorizado, e utilize sempre peças e acessórios de substituição originais
10. Condições de operação do limpa-fundos:
  - 11.1 Profundidade máxima da água: 40 - 300cm.
  - 11.2 Temperatura da água: 4°C ( 39.2°F )-35°C ( 95°F )

#### 1. Cabo USB

1. Só se admite uma voltagem de saída de 5 V para o carregador, que inclui a ficha USB.
2. Uso exclusivo em interiores. O carregador não deve ser utilizado em exteriores e não deve estar exposto à chuva, à humidade, aos líquidos e ao calor.
3. Mantenha o carregador fora do alcance das crianças.
4. Não utilize o carregador se detetar quaisquer danos no mesmo.
5. Não manipule o limpa-fundos nem o carregador com as mãos húmidas nem com os pés descalços quando o limpa-fundos estiver em modo de carga.
6. Desconecte o carregador da corrente quando este não estiver em uso.
7. Se o cabo USB estiver danificado, deverá ser substituído por um novo carregador para evitar riscos.
8. Assegure-se de que o limpa-fundos, o cabo USB e o carregador estão totalmente secos antes de proceder ao carregamento.
9. Carregue o limpa-fundos 5 horas antes da primeira utilização. Normalmente, o limpa-fundos pode ser utilizado durante 30 minutos após um carregamento completo.

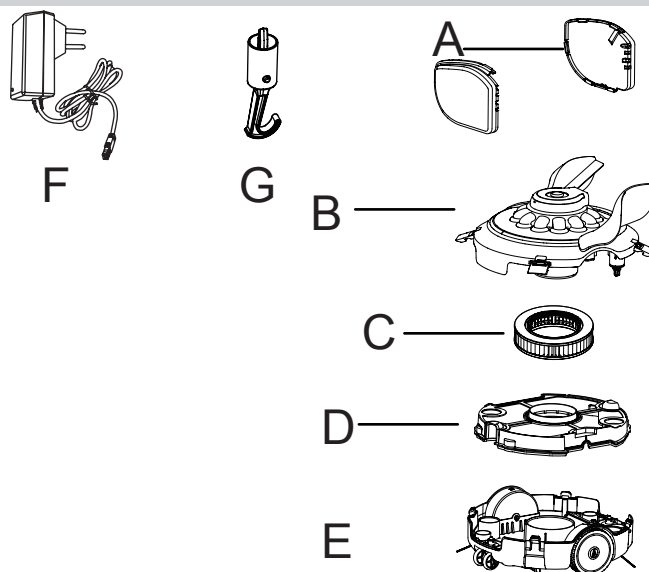
#### 2. Remoção da bateria

1. A bateria do limpa-fundos é de lítio, e deve ser eliminada corretamente; contacte os serviços municipais da sua zona para mais informação.
2. Nunca tente desmontar a bateria de lítio.
3. Tire quaisquer acessórios pessoais, como anéis, pulseiras, colares e relógios antes de desconectar os cabos da bateria de lítio da unidade de aspiração.
4. A bateria poderia causar um curto-circuito, suficientemente forte para provocar queimaduras graves.
5. Utilize equipamento de proteção adequado, como óculos, luvas e roupa para extair o conjunto das baterias.
6. Não fume nem procoque chispas ou chamas na proximidade do limpa-fundos, para evitar a libertação de gases desconhecidos.
7. Em caso de contacto da roupa ou da pele com o ácido, lavar imediatamente com abundante água e sabão.
8. Se o ácido entrar em contacto com os olhos, enxaguar imediatamente com água corrente e fresca durante pelo menos 15 minutos, e procurar assistência médica.

**As advertências e precauções anteriores não pretendem ser exaustivas nem descrevem todos os possíveis perigos e riscos de lesões graves.** Os proprietários de piscinas ou de spas devem prestar a máxima atenção em todo o momento e aplicar o sentido comum ao operar o robô limpa-fundos.

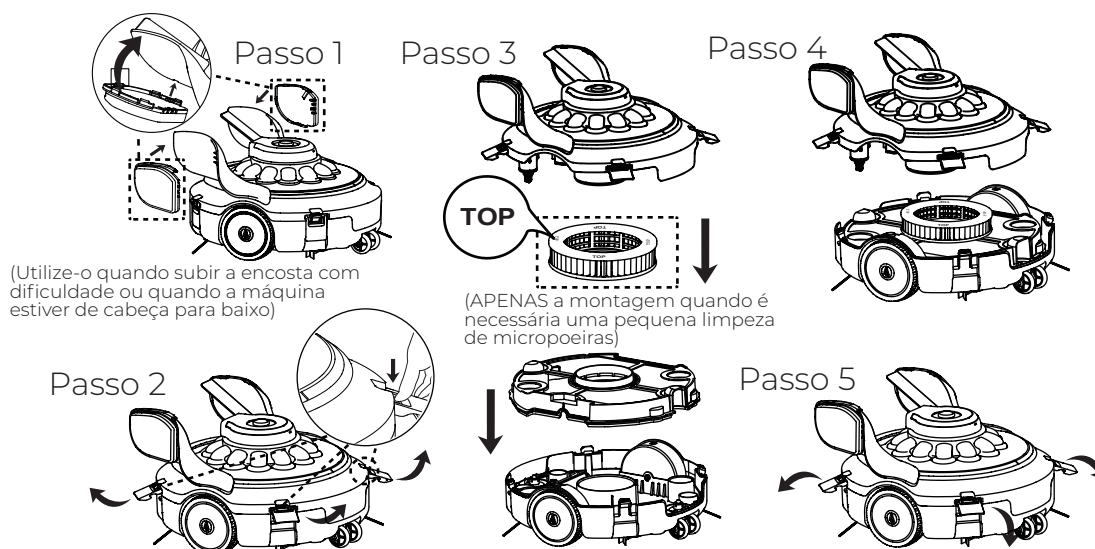
## MONTAGEM

- A: Flutuador
- B: Tampa superior
- C: Filtro de cartucho (Montagem e limpeza APENAS para pequenas micropoeiras)
- D: Filtro
- E: Base inferior
- F: Carregador
- G: Gancho



A cabeça de jato está situada na tampa superior. A água passa da parte inferior à cabeça, para que o robô avance. Ao encontrar um obstáculo, a cabeça gira 180°, fazendo o robô esquivar o obstáculo deslocando-se por outra linha. O filtro inferior recolhe e armazena os detritos num recipiente.

## MONTAGEM E MODO DE FUNCIONAMENTO

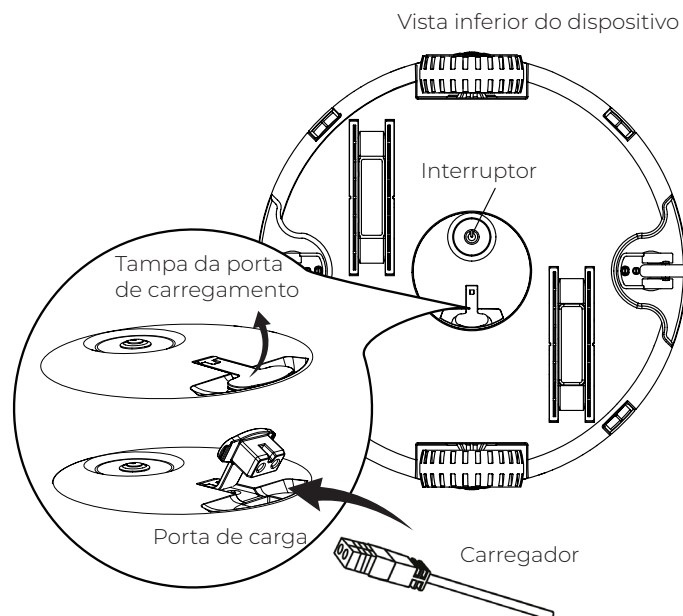


### Advertência de carga:

- Utilize unicamente o adaptador externo e o cabo de carga originais fornecidos com o dispositivo.
  - Assegure-se de que tanto o robô como os portos de carga se encontrem limpos e secos antes da instalação.
  - Carregue completamente a bateria do robô antes de o utilizar pela primeira vez (aprox. 8 horas).
1. Retire a tampa da porta de carregamento.
  2. Fixe o carregador à porta e dê início ao carregamento.

Nota: Quando o robô começar a carregar, a luz piloto do adaptador externo acender-se-á em vermelho. Quando a bateria estiver praticamente carregada, o indicador iluminar-se-á em verde.

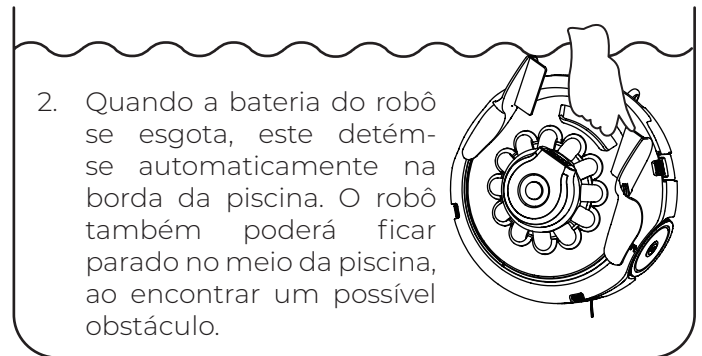
3. Após o carregamento, coloque novamente a tampa na porta de carregamento, e assegure-se de que a tampa está devidamente colocada antes de colocar o aparelho na água.



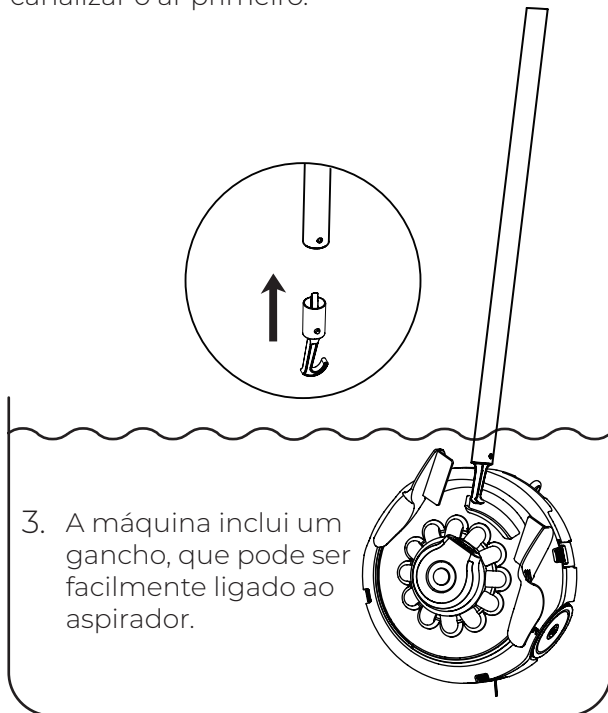
## LIGAR O ROBÔ



1. Ligar o interruptor, o indicador acende-se, colocar o robô horizontalmente na piscina e esperar que o robô se afunde livremente até ao fundo da piscina, demora cerca de 20-30 segundos para canalizar o ar primeiro.



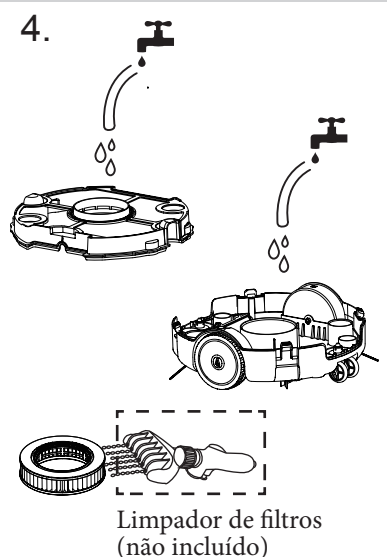
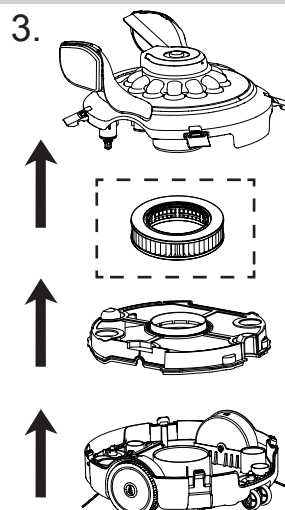
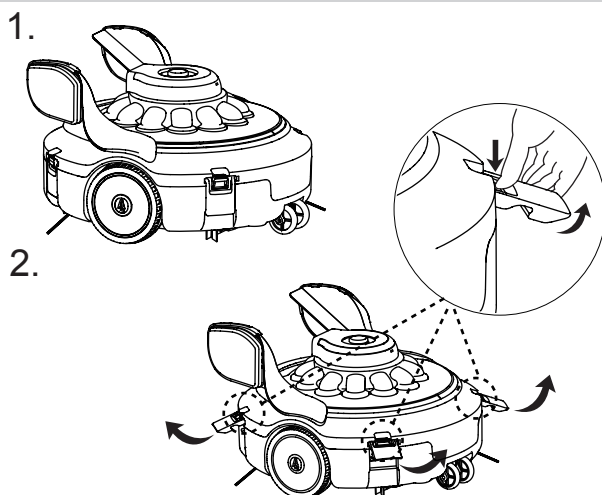
2. Quando a bateria do robô se esgota, este detém-se automaticamente na borda da piscina. O robô também poderá ficar parado no meio da piscina, ao encontrar um possível obstáculo.



### Nota:

1. É recomendável desativar o sistema de filtragem da piscina, uma vez que a circulação da água neste poderia afetar a deslocação do robô.
2. Os obstáculos presentes na piscina, como, por exemplo, as escadas, afetarão a deslocação e o traçado de limpeza do robô.
3. Se utiliza um depósito de sal, assegure-se de que esta se encontra totalmente dissolvida antes de introduzir o robô na água.

## RETIRAR OS DETRITOS



## MANUTENÇÃO E ARMAZENAMENTO

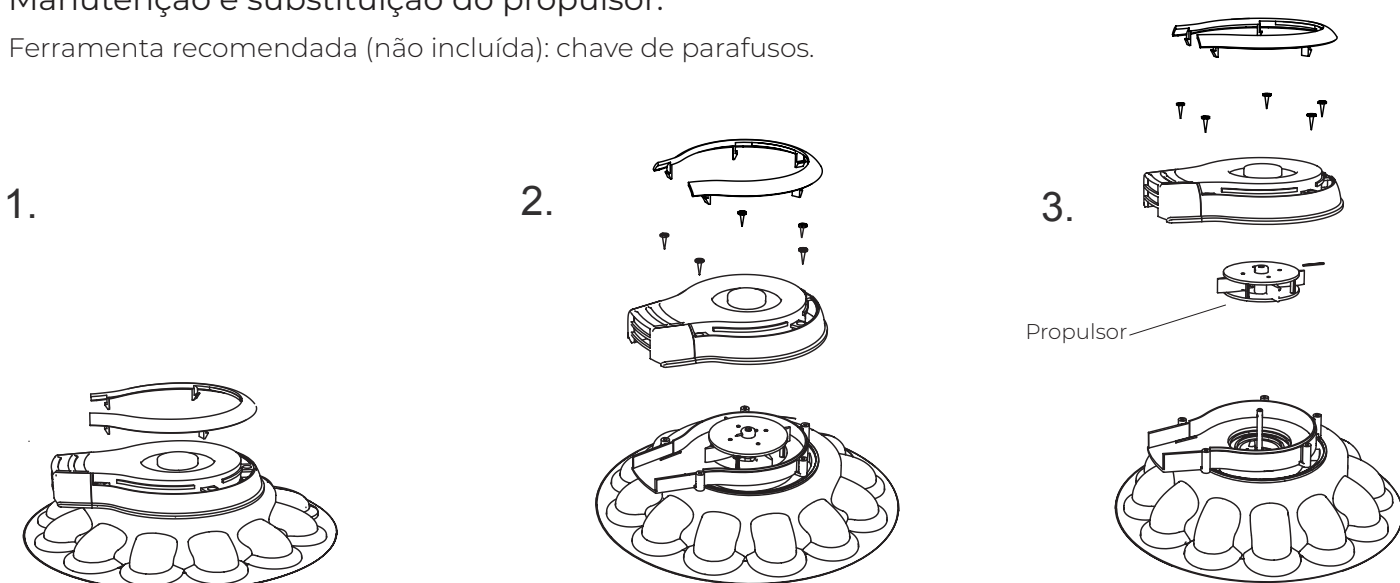
1. A bateria descarrega-se sozinha quando o dispositivo permanecer guardado. Assegure-se de que o robô está completamente carregado antes de o guardar.
2. Recarregue a bateria pelo menos uma vez cada três meses, mesmo quando não utilizar o dispositivo.
  - Desconecte o adaptador externo da tomada e o cabo de carga do adaptador externo e do robô.
  - Retire os acessórios do robô. Se for necessário, aclare o robô e os seus acessórios com água limpa. Não utilize detergente.

- Antes de guardar o robô, assegure-se de que este não contém restos de água no seu interior.
- Utilize um pano húmido para limpar o robô e os acessórios, e seque-os bem.
- Guarde o robô num lugar bem ventilado, protegido da luz solar, do calor, de fontes de ignição, de produtos químicos para a piscina, e das crianças.
- A temperatura de armazenamento deve situar-se entre os 10 °C e os 25 °C (50 °F – 77 °F).

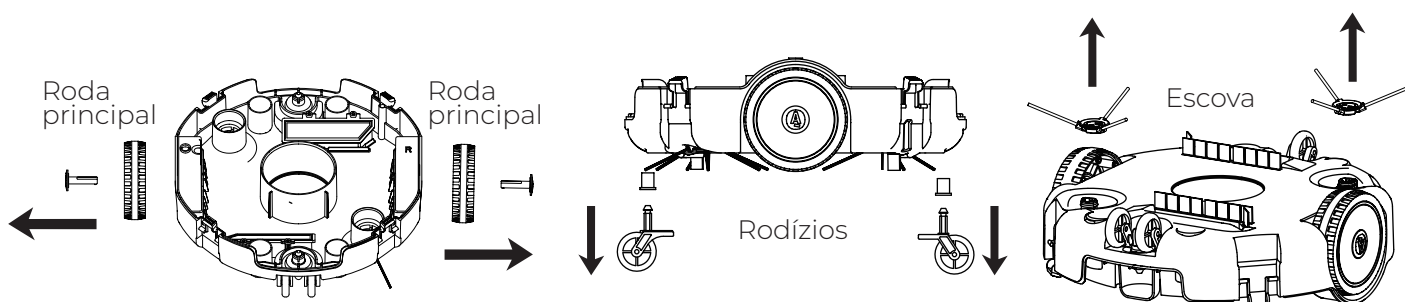
**Nota:** Se a temperatura de armazenamento for superior, a duração da bateria pode reduzir-se.

### Manutenção e substituição do propulsor:

Ferramenta recomendada (não incluída): chave de parafusos.



### Maintenance and replacement of wheels:



**Nota:** a roda principal tem ímanes na parte lateral. Contacte o seu distribuidor para a substituição e manutenção das rodas.



## MONTAGEM E SUBSTITUIÇÃO DA BATERIA

### ⚠ ADVERTÊNCIA



Os eletrodomésticos não devem ser eliminados com o lixo comum, utilize instalações de recolha de resíduos diferenciados. Para mais informações acerca dos sistemas de recolha de resíduos, contacte com as autoridades locais pertinentes.

- Não remova a bateria de lítio sem autorização.
- Se estiver a usar algum tipo de anel, pulseira, colar ou relógio, retire-os antes de manipular o robô para proceder à remoção da bateria de lítio.
- Um curto-circuito na bateria é suficiente para provocar uma descarga num anel, ou em objetos semelhantes, o que causaria queimaduras graves.
- Antes de remover a bateria, utilize proteção ocular, luvas e vestuário de proteção.
- Tenha cuidado para não tocar nos fios nem em peças metálicas, já que tal poderá causar faíscas ou um curto circuito.
- Não fume, não faça faíscas nem chamas nas proximidades do robô, já que tal poderá incendiar a

bateria e produzir gases.

- Evite expor a bateria a fogo ou temperaturas elevadas, caso contrário, poderá provocar uma explosão.

#### Nota!

Em caso de fuga da bateria, evite o contacto com a bateria danificada e coloque-a num saco de plástico. Se o ácido entrar em contacto com a pele ou com a roupa, lave imediatamente com água com sabão abundante.

Se o ácido entrar em contacto com os olhos, lave os olhos com água durante pelo menos 15 minutos e consulte um médico.

### Substituição da bateria:



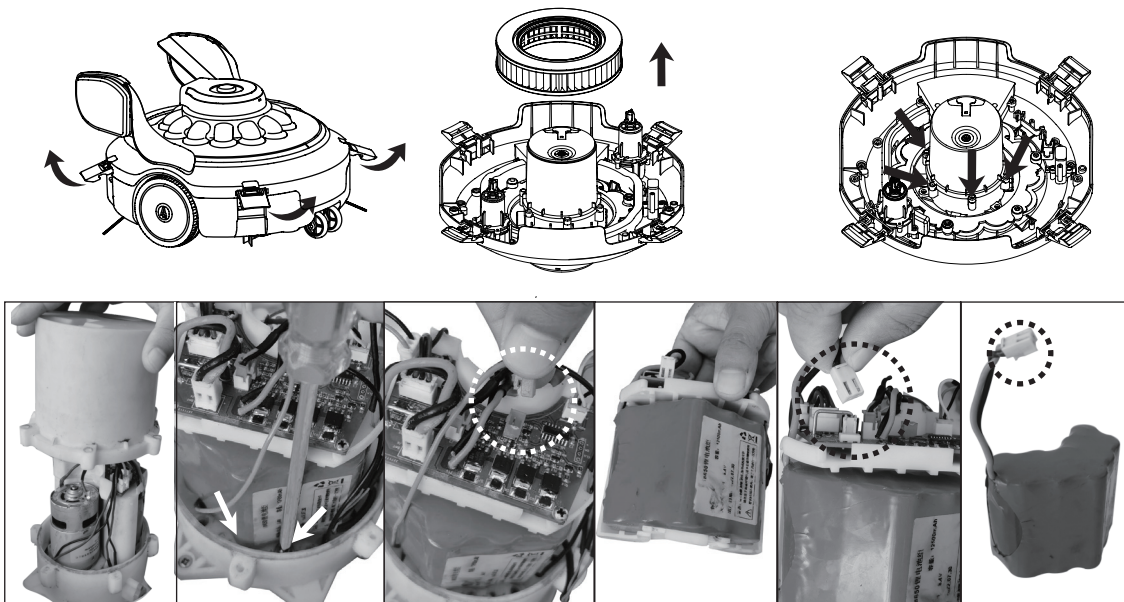
**Nota:** o utilizador deverá contactar com o revendedor antes de proceder à substituição da bateria.

1. Puxe as quatro patilhas da parte central da cobertura superior e separe a mesma do corpo da cobertura inferior. Retire o filtro de micropartículas.
2. Utilize uma chave de parafusos para remover todos os parafusos da tampa de carregamento da cobertura inferior.
3. Abra a tampa da bateria, localize a linha de ligação, pressione a patilha no conector, puxe-o para fora e remova a bateria.

4. De acordo com as instruções de desmontagem, reinstale a bateria e monte os componentes de carregamento. Nota: (1) Se houver impurezas no anel de vedação, limpe-o e coloque-o novamente na ranhura do anel de vedação. (2) Preste atenção à direção da montagem. Os seis orifícios dos parafusos devem estar alinhados para se apertarem os parafusos.



**Nota:** isole imediatamente o conector com fita adesiva para evitar um curto-circuito causado pelo contacto entre os terminais de dois fios.





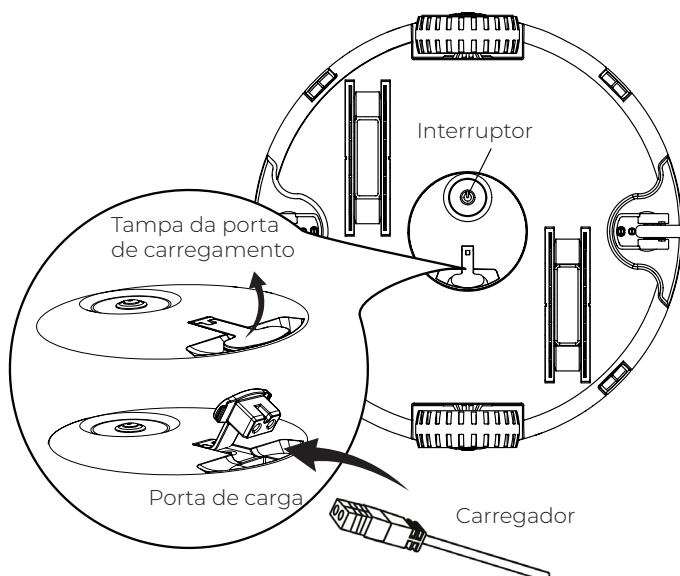
## RESOLUÇÃO DE PROBLEMAS

Em caso de problemas com o seu robô limpa-fundos, siga estes passos para recuperar o seu rendimento.

**Nota:** desconecte o dispositivo antes de proceder a qualquer reparação.

PROBLEMA	POSSÍVEIS CAUSAS	SOLUÇÃO
O robô não absorve os resíduos.	Bateria descarregada.	Carregue a bateria.
	O propulsor está obstruído.	Apague o robô e comprove visualmente se o propulsor gira. Para mais informação, contacte o seu distribuidor. Advertência: antes de proceder à revisão do dispositivo, assegure-se de que este se encontra desconectado.
	Propulsor danificado.	Contacte o seu distribuidor para proceder à sua substituição.
	O compartimento está cheio.	Limpe o compartimento e a tampa do filtro.
O robô pára a meio da piscina, mas a cabeça rotativa continua a girar.	O robô parou ao encontrar um obstáculo.	Comprove se o trajeto do robô limpa-fundos está obstruído. Elimine os obstáculos.
	O robô está bloqueado pelo escoadouro de sucção do fundo da piscina.	Desative o sistema de filtragem (consulte o manual de instruções).
	O fundo da piscina não é totalmente plano.	Aguarde alguns minutos para que o robô volte a deslocar-se, ou alise o piso do fundo da piscina ou recorte a faixa de escovas inferior. Contacte o seu distribuidor para obter as peças de substituição necessárias.
O robô não cobre a piscina completa ou não se desloca ao longo da parede da piscina.	O compartimento está cheio.	Limpe o compartimento e a tampa do filtro.
	O período de operação é mais curto do que o previsto.	Limpe a câmara de filtragem e carregue a bateria do robô durante 4 ou 5 horas.
	A circulação da água devido ao sistema de filtrado interrompe a direção de deslocação.	Desative o sistema de filtragem (consulte o manual de instruções).
	Roda bloqueada.	Comprove se existem resíduos nas rodas, e retire-os se for o caso.
O robô desloca-se devagar.	O compartimento está cheio.	Limpe o compartimento e a tampa do filtro.
A cabeça rotativa não gira, ou gira demasiado devagar.	O fundo basculante está bloqueado.	O compartimento está cheio. Comprove se existem resíduos debaixo da cabeça rotativa, e retire-os se for o caso. Gire a cabeça rotativa manualmente e limpe-a com água até que se mova com suavidade.
	O compartimento está cheio.	Limpe o compartimento e a tampa do filtro.

PROBLEMA	POSSÍVEIS CAUSAS	SOLUÇÃO
Os resíduos saem do robô.	A válvula da boquilha de sucção (na parte inferior do robô) está danificada.	O defletor da ventosa funciona como porta para evitar que os resíduos saiam do compartimento. Contacte o seu distribuidor para obter as peças de substituição e as instruções sobre como proceder.
Os resíduos passam para o exterior da tampa do filtro.	A tampa do filtro está danificada.	Substitua a tampa do filtro por uma nova. Contacte o seu distribuidor para obter as peças de substituição.
Se o carregador mostrar uma luz vermelha fixa, não poderá mudar para a luz verde durante mais de 8 horas.	A bateria está danificada	Contacte o Distribuidor para substituir a bateria. Advertência: não ligue o robô nem substitua a bateria por si próprio. Pode causar lesões graves ou mortais e a garantia não será válida.
Se o carregador passar a ter uma luz verde em muito pouco tempo e o dispositivo também funcionar apenas durante um período breve (aprox. meia hora, precisa de validação múltipla).		
Quando o produto começar a carregar após concluído o trabalho, se o carregador mostrar uma luz verde contínua. (Certifique-se de que o cabo do carregador está ligado por completo e de forma correta ao adaptador externo e ao robô).	O carregador está danificado	Contacte o Distribuidor para a sua substituição. Advertência: se utilizar um carregador externo incorreto, poderá danificar o robô ou a bateria e anular a garantia.
Se o carregador já não se iluminar		
Quando ligado não funciona.*	Existe sujeira ou ferrugem ao redor do sensor.	Limpe o sensor com um papel, pano ou uma escova, como na foto, e assista ao vídeo online.



**You Tube**

### CONDIÇÕES GERAIS

- De acordo com estas disposições, o vendedor garante que, no momento da entrega, o produto correspondente a esta garantia ("o Produto") não apresenta nenhum tipo de falta de conformidade.
- O Período de Garantia para o Produto é de dois (2) anos, contados a partir da data de entrega ao comprador.
- Se, durante o período de garantia, o comprador notificar ao vendedor alguma falta de conformidade do Produto, o vendedor deverá reparar ou substituir o Produto por sua conta no lugar onde considerar conveniente, salvo que isso seja impossível ou desmesurado.
- Quando não for possível reparar ou substituir o Produto, o comprador poderá solicitar uma redução proporcional do preço ou, se a falta de conformidade for o suficientemente grave, a rescisão do contrato de venda.
- As partes substituídas ou reparadas em virtude desta garantia não ampliarão o período de garantia do Produto original, mas disporão da sua própria garantia.
- Para que a presente garantia tenha efeito, o comprador deverá apresentar o comprovante da data de compra e de entrega do Produto.
- Se o comprador alegar uma falta de conformidade do Produto, passados mais de seis meses da data de entrega do mesmo, deverá demonstrar a origem e a existência do defeito alegado.
- O presente Certificado de Garantia não limita nem afecta os direitos dos consumidores derivados das normas nacionais de carácter imperativo.

### CONDIÇÕES PARTICULARES

- A presente garantia cobre os produtos descritos neste manual.
- O presente Certificado de Garantia só será válido nos países da União Europeia.
- Para a eficácia desta garantia, o comprador deverá seguir rigorosamente as indicações do Fabricante contidas na documentação fornecida com o Produto, quando a mesma for aplicável em função da gama e do modelo do Produto.
- No caso de se estabelecer um calendário para a substituição, manutenção ou limpeza de determinadas peças ou componentes do Produto, a garantia só será válida se o citado calendário tiver sido cumprido rigorosamente.

### LIMITAÇÕES

- A presente garantia só será válida para as vendas realizadas a consumidores, entendendo-se por "consumidor" a pessoa que comprar o Produto com fins não abrangidos no âmbito da sua actividade profissional.
- A garantia não cobre o desgaste normal derivado do uso do produto. Em relação às peças, componentes e/ou materiais fungíveis ou consumíveis como pilhas, lâmpadas, etc., terá efeito o disposto na documentação fornecida com o Produto, em cada caso.
- Esta garantia não abrange as seguintes situações: (I) Se o Produto tiver sido objecto de um uso incorrecto; (II) tiver sido reparado, sofrido manutenção ou manipulado por pessoas não autorizadas ou (III) tiver sido reparado ou as suas peças substituídas por peças não originais. Quando a falta de conformidade do Produto for consequência de uma instalação ou colocação em funcionamento incorrecta, a presente garantia só será válida se a referida instalação ou colocação em funcionamento estiver incluída no contrato de compra-venda do Produto e tiver sido realizada pelo vendedor ou sob sua responsabilidade.



## CONTENTOR DE LIXO COM RODAS BARRADO COM UMA CRUZ

- Com o objectivo de reduzir a quantidade de resíduos dos equipamentos eléctricos e electrónicos, a perigosidade dos componentes, fomentar a reutilização dos equipamentos, a valorização dos seus resíduos e determinar uma gestão adequada tratando de melhorar a eficácia da protecção ambiental, estabelecem-se uma série de normas aplicáveis ao fabrico do produto e outras relativas à correcta gestão ambiental quando se transformam em resíduos.
- Do mesmo modo, pretende-se melhorar o comportamento ambiental de todos os agentes que intervêm no ciclo de vida dos equipamentos eléctricos e electrónicos, como são os produtores, os distribuidores, os utilizadores e, em particular, o dos agentes directamente implicados na gestão dos resíduos derivados destes equipamentos.
- A partir do dia 13 Agosto de 2005, quando quiser desfazer-se deste aparelho, tem duas possibilidades de devolução:
- Se adquirir um novo aparelho que seja de tipo equivalente ou que realize as mesmas funções que o que está a deitar fora, poderá entregá-lo ao distribuidor, sem custo, no acto da compra;
- Poderá levá-lo ao local destinado pelas diferentes entidades locais.
- Nós assumiremos os custos de gestão.
- Os equipamentos são rotulados com o símbolo de um "contentor de lixo com rodas barrado com uma cruz", que indica a necessidade de recolha selectiva e diferenciada do resto dos lixos urbanos.
- Os nossos produtos são concebidos e fabricados com materiais e componentes de alta qualidade, respeitadores do ambiente, que podem ser reutilizados e reciclados. No entanto, as diferentes partes que compõem este produto não são biodegradáveis e, portanto, não devem ser abandonadas no meio ambiente. Para a reciclagem correcta deste equipamento, por favor separe o motor eléctrico do resto do aparelho de filtração.

## OSTRZEŻENIE O BEZPIECZEŃSTWIE

### OSTRZEŻENIE

Niniejsze urządzenie nie jest zabawką i jest przeznaczone dla osób powyżej 8 roku życia.

Każdy użytkownik powinien uważnie przeczytać niniejszą instrukcję obsługi przed przystąpieniem do użytkowania.

1. Urządzenie może być obsługiwane przez dzieci w wieku 8 lat lub starsze oraz przez osoby o ograniczonych zdolnościach sensorycznych lub umysłowych lub nieposiadające doświadczenia i wiedzy, jeśli są one nadzorowane lub zostały poinstruowane w zakresie korzystania z urządzenia w bezpieczny sposób oraz są świadome związanego z tym ryzyka.
2. Urządzenie nie jest zabawką dla dzieci.
3. Czyszczenie i konserwacja wykonywane przez użytkownika nie powinny być wykonywane przez dzieci. Odkurzacz jest przeznaczony do czyszczenia basenu.
4. Podczas użytkowania należy używać oryginalnego akumulatora i ładowarki. Ładować można tylko wtedy, gdy odkurzacz jest wyłączony.
5. Należy przechowywać urządzenie w czystym i suchym miejscu. Nie należy zostawiać urządzenia na słońcu lub blisko materiałów wybuchowych.
6. Nie należy zbliżać się do głowicy urządzenia czyszczącego podczas pracy, ze względu na moc ssania, jest to szczególnie niebezpieczne dla ludzkiego ciała, zwierząt, włosów lub ubrań.
7. Nie należy rozmontowywać urządzenia bez fachowej porady lub bez wskazówek jak należy tę czynność wykonywać od autoryzowanego dystrybutora lub producenta.
8. Nie należy dopuścić do wycieku oleju smarującego, gdyż powoduje on zanieczyszczenie wody.
9. Należy przerwać pracę urządzenia, gdy coś jest nie tak. Należy skontaktować się z autoryzowanym dystrybutorem w celu wymiany części na oryginalne części/akcesoria
10. Warunki pracy urządzenia:
  - 11.1 Maksymalna głębokość wody: 40 - 300cm.
  - 11.2 Temperatura wody: 4°C (39.2°F) - 35°C (95°F)

#### 1. Linia USB

1. Dla ładowarki wraz ze złączem USB dopuszczalne jest wyłącznie napięcie wyjściowe o wartości 5V
2. Należy ładować urządzenie wewnątrz pomieszczeń. Ładowarka nie powinna być używana na zewnątrz i nie powinna być wystawiona na działanie deszczu, wilgoci, cieczy lub ciepła.
3. Należy chronić dzieci przed dostępem do ładowarki.
4. Pod żadnym pozorem nie należy używać ładowarki w przypadku stwierdzenia jakichkolwiek wad lub uszkodzeń.
5. Pod żadnym pozorem nie należy dotykać urządzenia oraz ładowarki mokrymi rękoma i gołymi stopami podczas ładowania.
6. Należy odłączyć ładowarkę od zasilania, gdy nie jest używana.
7. Jeśli linia USB jest uszkodzona, należy ją wymienić na nową ładowarkę, aby zapobiec niebezpieczeństwu.
8. Upewnij się, że urządzenie czyszczące, pas USB i ładowarka są całkowicie suche przed rozpoczęciem ładowania.
9. Naładuj urządzenie czyszczące 5 godzin przed pierwszym użyciem. W normalnych warunkach urządzenie to może pracować około 30 minut po pełnym naładowaniu.

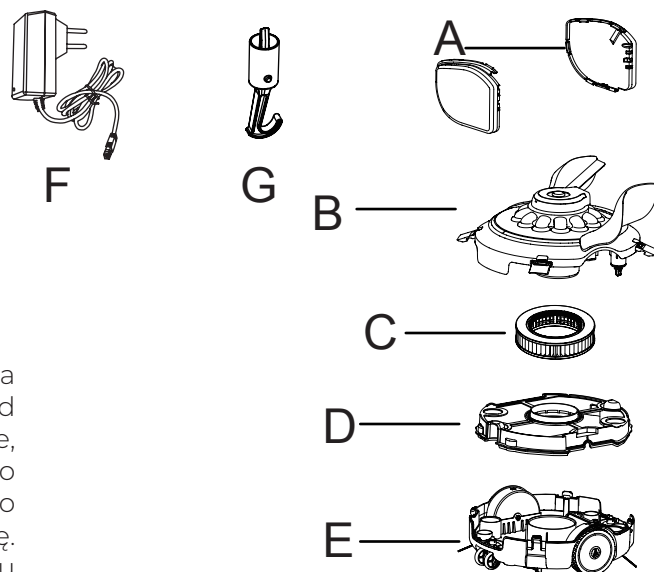
#### 2. Utylizacja baterii - akumulatora

1. W urządzeniu znajduje się bateria litową, musi ona być utylizowana w odpowiedni sposób. Należy skontaktować się z lokalnymi władzami w celu uzyskania więcej informacji na temat w jaki sposób należy utylizować tego typu baterie.
2. Nigdy nie należy podejmować prób demontażu baterii litowej samemu.
3. Należy zdjąć wszystkie przedmioty osobiste, takie jak pierścionki, bransoletki, naszyjniki oraz zegarki podczas demontażu baterii litowej od urządzenia.
4. Bateria może powodować zwarcia prądu, a także poważne oparzenia, gdy napięcie prądu będzie wystarczająco wysokie.
5. Należy stosować wszelkie środki ostrożności, chroniąc oczy, mając na rękach rękawiczki oraz odpowiednią odzież ochronną podczas demontażu baterii.
6. Nie należy palić papierosów, ani używać jakiegokolwiek zapalniczek, zapalek oraz innych tego typu przedmiotów w pobliżu urządzenia ponieważ mogą się z niego wydobyć nieznane substancje np. gaz.
7. W przypadku gdy kwas z baterii wejdzie w kontakt ze skórą i/ lub ubraniem, należy natychmiast umyć je za pomocą dużej ilości mydła i wody.
8. W przypadku gdy kwas wejdzie w kontakt z oczami, należy natychmiast przepłukać oczy dużą ilością chłodnej wody przez co najmniej 15 minut. Należy również natychmiast wezwać pomoc medyczną.

**Powyższe ostrzeżenia oraz wytyczne mają na celu przede wszystkim ograniczenie powstania ryzyka zagrożenia życia lub powstawaniu ciężkich urazów.** Właściciele basenów/spa powinni zawsze zachować szczególną ostrożność i zdrowy rozsądek podczas pracowania z urządzeniem.

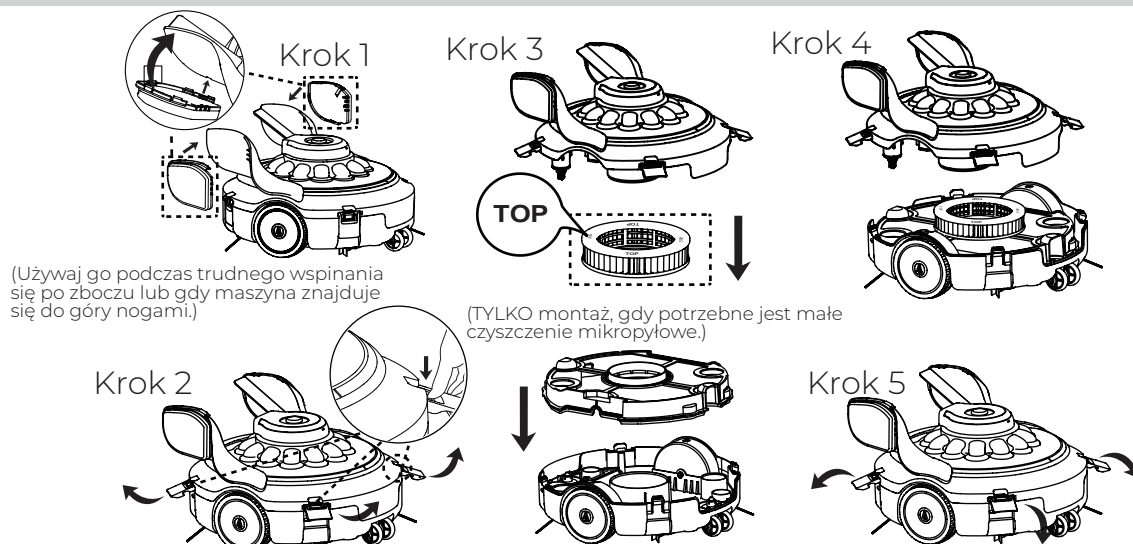
## MONTAŻ

- A: Pływak  
 B: Pokrywa górna  
 C: Filtr kartridżowy (Montaż i czyszczenie TYLKO dla małego mikro pyłu)  
 D: Filtr  
 E: Podstawa  
 F: Ładowarka  
 G: Hak



Na pokrywie górnej znajduje się obrotowa głowica strumieniowa, która wyrzuca wodę zasysaną spod odkurzacza – odrzut strugi wody z głowicy powoduje, że odkurzacze porusza się. Gdy odkurzacze dojedzie do przeszkody, głowica obraca się o 180 stopni, przez co urządzenie zmienia kierunek ruchu, omijając przeszkodę. Odkurzacze zasysa i zbiera zanieczyszczenia od dołu obudowy, wciągając je do komory filtra workowego.

## MONTAŻ I UŻYTKOWANIE

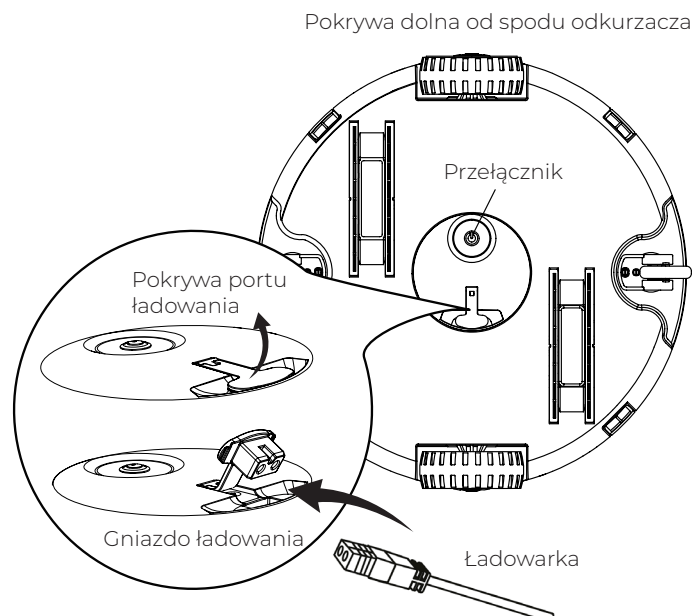


### Ostrzeżenie o ładowaniu elektrycznym:

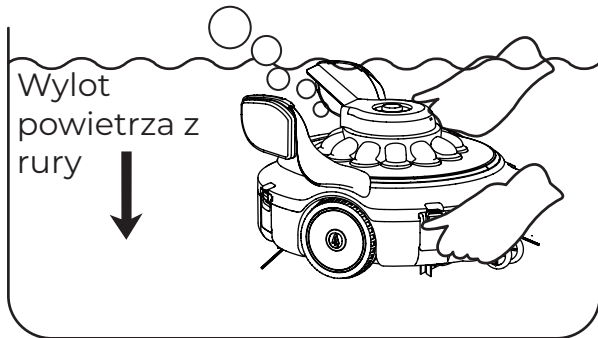
- Używaj wyłącznie oryginalnej ładowarki i jej oryginalnego kabla.
  - Zanim podłączysz ładowarkę do odkurzacza, sprawdź, czy gniazdo ładowania urządzenia oraz wtyczka ładowarki są suche i czyste.
  - Naładuj fabrycznie nowy odkurzacze przez pierwszym użyciem (ładowanie powinno trwać 8 godzin).
1. Przed ładowaniem zdejmij pokrywę portu ładowania.
  2. Podłącz ładowarkę do portu ładowania, a następnie rozpocznij ładowanie.

**Uwaga:** Gdy zacznie się ładowanie odkurzacza, włączy się czerwona kontrolka na ładowarce. Gdy akumulator naładuje się, kontrolka ta zmieni kolor na zielony.

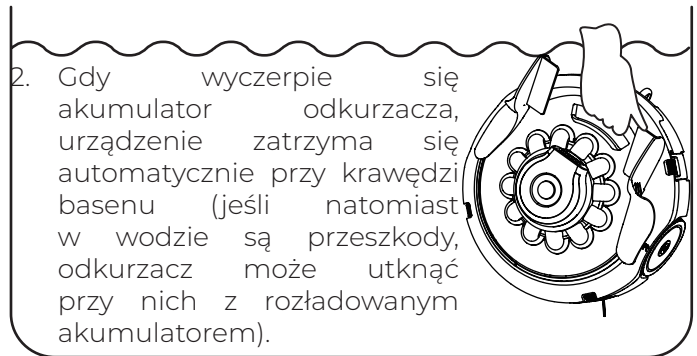
3. Po naładowaniu, umieść pokrywę z powrotem na porcie ładowania i upewnij się, że jest ona w pełni uszczelniona przed włożeniem do wody.



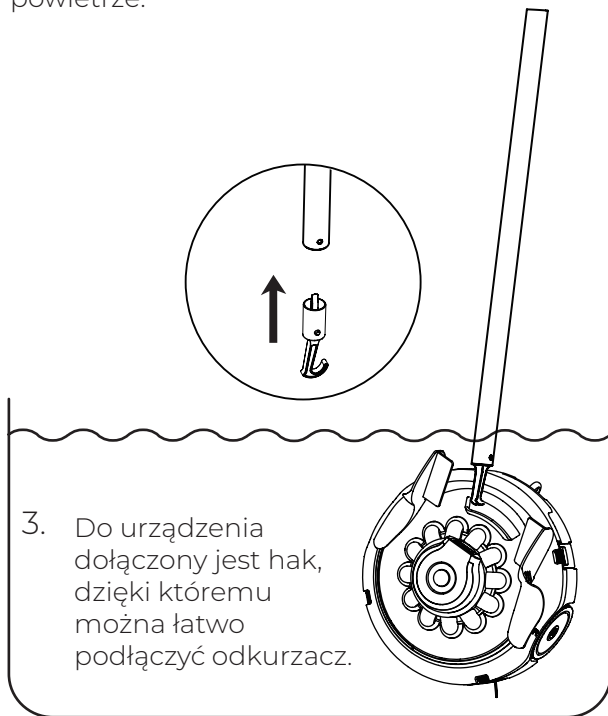
## WŁĄCZANIE ZASILANIA



1. Włącz przełącznik, wskaźnik zaświeci się, umieść robota poziomo w basenie i poczekaj, aż robot swobodnie opadnie na dno basenu, najpierw potrzeba około 20-30 sekund, aby wypuścić powietrze.



2. Gdy wyczerpie się akumulator odkurzacza, urządzenie zatrzyma się automatycznie przy krawędzi basenu (jeśli natomiast w wodzie są przeszkody, odkurzacz może utknąć przy nich z rozładowanym akumulatorem).

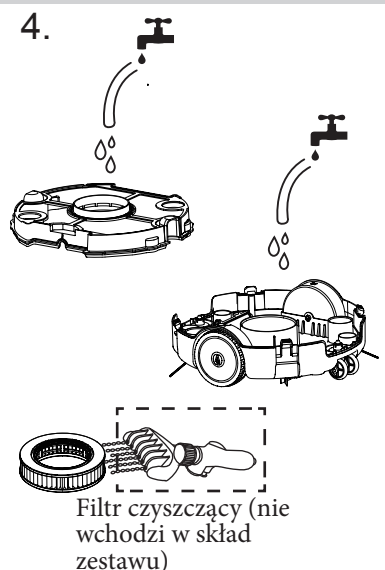
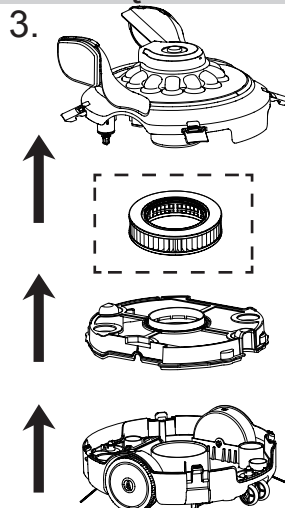
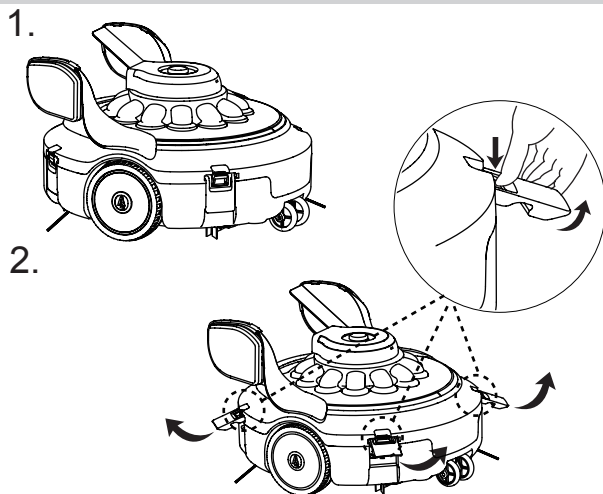


3. Do urządzenia dołączony jest hak, dzięki któremu można łatwo podłączyć odkurzacz.

### Uwaga:

1. Zaleca się wyłączyć filtr basenu – prąd wody od pompy filtra basenowego może zakłócać ruch odkurzacza na dnie.
2. Przeszkody w basenie, np. drabinka, mogą wpłynąć na kierunek ruchu odkurzacza i tym samym dokładność sprzątania.
3. Jeśli basen ma solankę, to sól musi całkowicie rozpuścić się w wodzie zanim wolno będzie włożyć do niej odkurzacz.

## USUWANIE ODPADKÓW I CZYSZCZENIE URZĄDZENIA



Filtr czyszczący (nie wchodzi w skład zestawu)



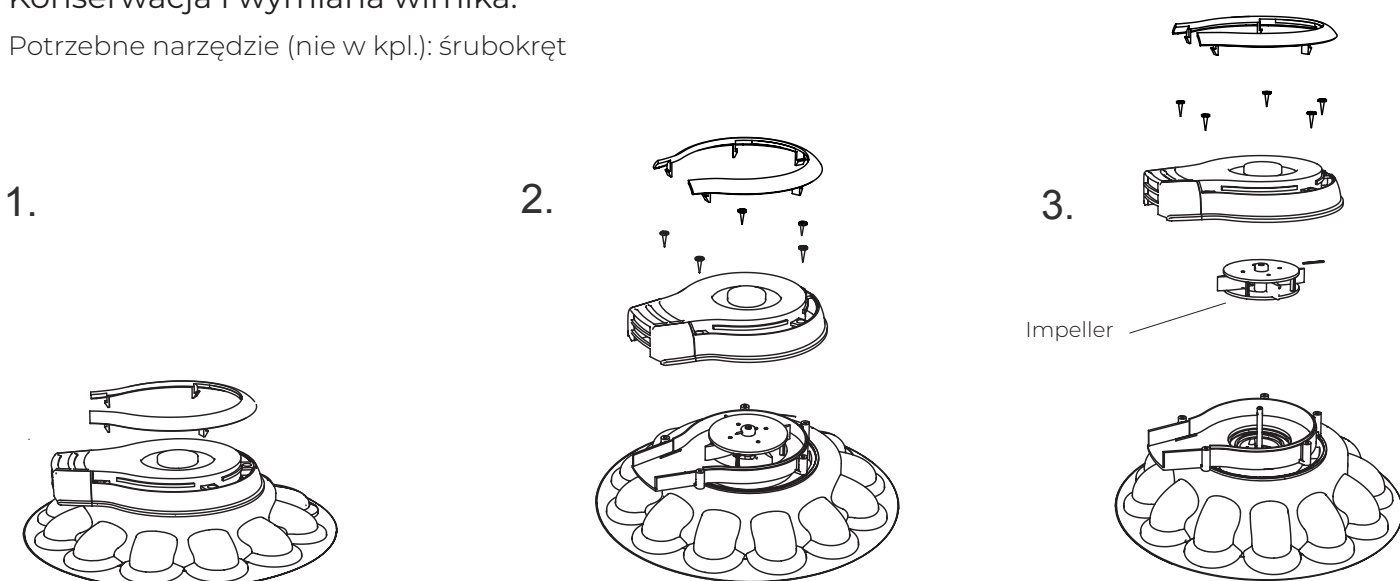
## KONSERWACJA I PRZECHOWYWANIE

1. Akumulator, jeśli nie jest ładowany, rozładowuje się podczas przechowywania. Naładuj akumulator odkurzacza przed jego przechowywaniem.
  2. Jeśli nie używasz odkurzacza, musisz ładować jego akumulator co najmniej raz na trzy miesiące.
    - Odłącz ładowarkę od gniazdka elektrycznego, a następnie kabel ładowarki od odkurzacza.
    - Wymontuj przystawkę z odkurzacza. Wypłucz odkurzacza i jego akcesoria czystą wodą. Nie myj go detergentami.
    - Opróżnij odkurzacza z wody przed jego przechowywaniem.
- Czyść odkurzacza i akcesoria wilgotną ścierką, po czym wytrzyj wszystko dokładnie suchą ścierką.
  - Przechowuj urządzenie i akcesoria w miejscu przewiewnym, z dala od światła słonecznego, źródeł ciepła i ognia, chemii do basenu, a także z dala od dzieci.
  - Temperatura w miejscu przechowywania powinna mieścić się w granicach 10 °C – 25 °C (50 °F– 77 °F).

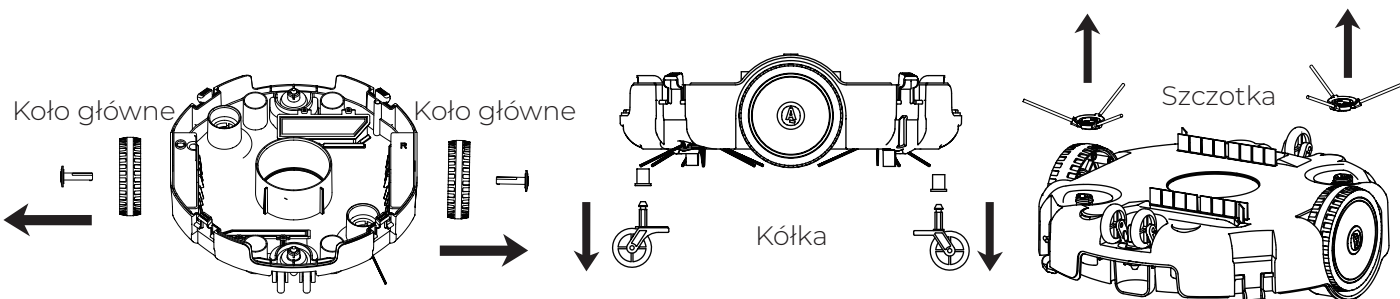
**Uwaga:** przechowywanie w wyższej temperaturze może skrócić trwałość użytkową akumulatora.

### Konserwacja i wymiana wirnika:

Potrzebne narzędzie (nie w kpl.): śrubokręt



### Konserwacja i wymiana koła:



**Uwaga:** koła główne mają magnesy po bokach. W sprawie ich wymiany i konserwacji należy skontaktować się ze sprzedawcą.

## MONTAŻ I WYMIANA BATERII

### ! OSTRZEŻENIE

Nie traktuj urządzeń elektrycznych jako niesklasyfikowane odpady komunalne, korzystaj z miejsc do selektywnej zbiórki odpadów. Aby uzyskać informacje o dostępnych systemach zbiórki, należy skontaktować się z władzami lokalnymi.

- Nie wyjmuj baterii litowej bez upoważnienia.
- Podczas wyjmowania baterii litowej z odkurzacza należy zdjąć pierścionki, bransoletki, naszyjnik i zegarek.
- Prąd zwarciový generowany przez baterię jest wystarczający do zaadsorbowania pierścionka (lub podobnych przedmiotów), powodując poważne oparzenia.
- Przed wyjęciem akumulatora należy założyć osłonę oczu, rękawice i odzież ochronną.
- Uważaj, aby nie dotknąć przewodu lub jakichkolwiek metalowych części, bo spowoduje to iskrę lub zwarcie.
- Nie palić, nie iskrzyć ani nie palić płomienia w pobliżu odkurzacza, bo spowoduje to zapłon baterii i powstanie gazu.
- Unikać wystawiania baterii na działanie ognia lub

wysokiej temperatury, w przeciwnym razie może to spowodować wybuch.

#### Uwaga!!!

W przypadku wycieku baterii należy unikać kontaktu z uszkodzoną baterią i umieścić ją w plastikowej torbie.

W przypadku kontaktu skóry lub ubrania z kwasem należy natychmiast umyć dużą ilością wody z mydłem.

W przypadku kontaktu oczu z kwasem, płukać oczy wodą przez co najmniej 15 minut i zgłosić się o pomoc do lekarza.

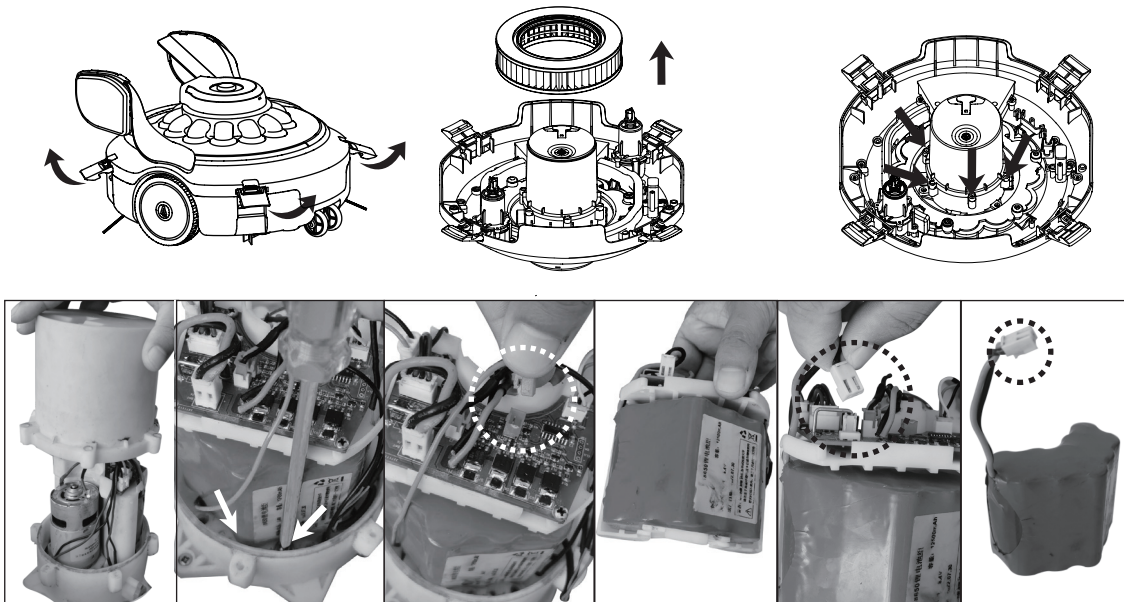
### Wymiana baterii:

**Uwaga:** Przed wymianą akumulatora należy skonsultować się ze sprzedawcą.

1. Wyciągnij cztery klipsy części rdzeniowej górnej pokrywy na zewnątrz i oddziel ją od zespołu korpusu dolnej pokrywy, wyjmij filtr Micro patricles.
2. Za pomocą śrubokręta odkręć wszystkie śruby na pokrywie zasilania dolnej pokrywy.
3. Otwórz pokrywę baterii, znajdź przewód łączący baterię, naciśnij zaczep na złączu, wyciągnij go i wyjmij baterię.

4. Zgodnie z instrukcjami demontażu, ponownie zainstaluj akumulator i zmontuj części ładujące. Uwaga: (1) jeśli w pierścieniu uszczelniającym znajdują się zanieczyszczenia, wyczyść go i zainstaluj z powrotem w rowku pierścienia uszczelniającego. (2) Zwróć uwagę na kierunek montażu. Sześć otworów na śruby musi być wyrównanych, aby zablokować śruby.

**Uwaga:** natychmiast owinąć złącze taśmą izolacyjną, aby uniknąć zwarcia spowodowanego stykiem dwóch zacisków przewodu.

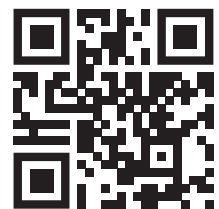
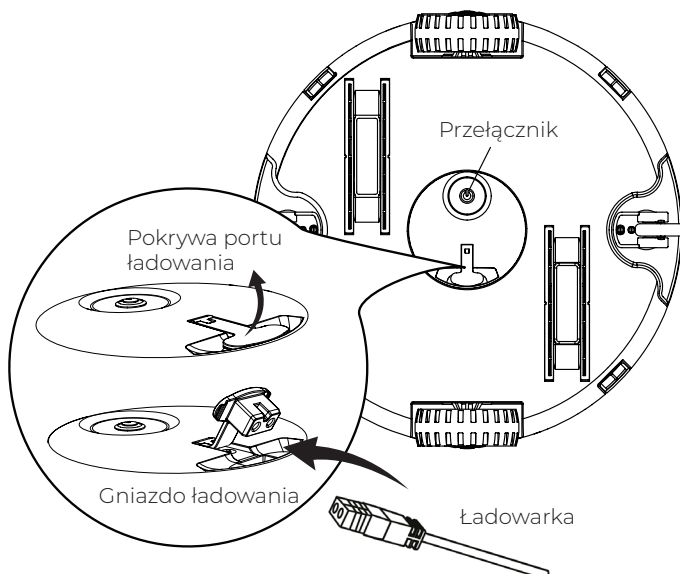


## ROZWIĄZYWANIE PROBLEMÓW

Jeśli pojawiły się problemy z urządzeniem, należy postępować zgodnie z poniższymi wytycznymi rozwiązywania problemu, aby przywrócić wydajność urządzenia. **Uwaga:** przed przystąpieniem do wykonania jakichkolwiek napraw należy wyłączyć zasilanie.

PROBLEM	MOŻLIWE PRZYCZYNY	ROZWIĄZANIE
Odkurzacz nie usuwa zanieczyszczeń	Akumulator na wyczerpaniu.	Naładuj odkurzacz.
	Wirnik nie obraca się.	Wyłącz odkurzacz i sprawdź wzrokowo, czy wirnik obraca się swobodnie. Jeśli nie wiesz co zrobić w razie tej usterki, skontaktuj się ze sprzedawcą. Ostrzeżenie! Upewnij się, że odkurzacz jest wyłączony zanim zajmiesz się jego obsługą techniczną
	Wirnik jest uszkodzony.	Skontaktuj się ze sprzedawcą w sprawie wymiany.
	Filtr workowy jest pełen.	Wyczyść filtr workowy i pokrywę jego komory.
Odkurzacz zatrzymuje się z dala od ściany basenu (głowica strumieniowa nadal się obraca).	Odkurzacz napotkał przeszkodę lub wciągnął jakiś przedmiot.	Sprawdź, czy nic nie wpadło do odkurzacza. Wyciągnij obce przedmioty z odkurzacza.
	Odkurzacz „przyssał się” do głównego odpływu na dnie basenu.	Wyłącz pompę filtra basenowego (według jego instrukcji).
	Dno nie jest płaskie.	Zaczekaj chwilę, aż odkurzacz ruszy – alternatywnie: wyrównaj dno basenu – alternatywnie: przytnij szczotkę od spodu odkurzacza. Skontaktuj się ze sprzedawcą w sprawie części zamiennych.
Odkurzacz nie sprząta całego dna / porusza się tylko wzdłuż ścian.	Filtr workowy jest pełen.	Wyczyść filtr workowy i pokrywę jego komory.
	Akumulator wyczerpał się za wcześnie.	Wyczyść komorę filtra odkurzacza, po czym podłącz go do ładowarki na 4-5 godzin.
	Prąd wody od pompy filtra basenowego zmienia kierunek ruchu odkurzacza.	Wyłącz pompę filtra basenowego (według jego instrukcji).
	Koło odkurzacza nie kręci się.	Wyczyść starannie koła i sprawdź ich stan.
Odkurzacz porusza się powoli.	Filtr workowy jest pełen.	Wyczyść filtr workowy i pokrywę jego komory.
Głowica strumieniowa nie obraca się w ogóle lub bardzo powoli.	Dolna część przegubu obrotowego zaciera się.	Głowicę można w tym celu obracać dłońią p
	Filtr workowy jest pełen.	Wyczyść filtr workowy i pokrywę jego komory.

PROBLEM	POSSIBLE CAUSES	SOLUTION
Odkurzacz gubi zbierany brud.	Uszkodzony zawór dyszy ssącej (od spodu odkurzacza).	Przegroda u ssawy działa jak kłapa, uniemożliwiająca wysypywanie się zbieranego brudu. Skontaktuj się ze sprzedawcą w sprawie części zamiennych i sposobu naprawy.
Brud wydostaje się spod pokrywy komory filtra.	Pokrywa komory filtra jest uszkodzona.	Wymień pokrywę komory filtra na nową. Skontaktuj się ze sprzedawcą w sprawie części zamiennych.
Kontrolka ładowarki świeci się cały czas na czerwono – nie zmienia koloru na zielony przez ponad 8 godzin.	Akumulator jest uszkodzony.	Skontaktuj się ze sprzedawcą w sprawie wymiany akumulatora. Ostrzeżenie! Nie włączaj odkurzacza ani nie wymieniaj akumulatora samodzielnie. Grozi to wypadkiem z ciężką szkodą na zdrowiu, a nawet śmiercią, a także unieważnieniem gwarancji.
Kontrolka ładowarki zmienia kolor na zielony po bardzo krótkim czasie – jednakże odkurzacz tak naładowany pracuje bardzo krótko (w ciągu pół godziny, i powtarza się to wielokrotnie).		
Kontrolka ładowarki włącza się od razu na zielono po podłączeniu odkurzacza do ładowarki. (Prawidłowo podłącz kabel do ładowarki oraz gniazda na odkurzaczu.)	Ładowarka jest uszkodzona.	Skontaktuj się ze sprzedawcą w sprawie wymiany. Ostrzeżenie! Używanie nieodpowiedniej ładowarki skutkuje uszkodzeniem odkurzacza / akumulatora oraz unieważnieniem gwarancji.
Jeśli lampka ładowarki nie świeci więcej światła.		
Przełącznik nie działa lub jest wyłączony.	Wokół czujnika znajdują się śmieci lub czujnik jest zardzewiały.	Oczyścić czujnik za pomocą papieru, szmatki lub szczotki, tak jak na obrazkach; lub zobaczyć film online.



YouTube

**WARUNKI OGÓLNE**

- Zgodnie z tymi postanowieniami sprzedawca gwarantuje, że produkt odpowiadający tej gwarancji («Produkt») jest w idealnym stanie w momencie dostawy.
- Okres gwarancji na produkt wynosi dwa (2) lata od momentu dostarczenia go nabywcy.
- W przypadku jakiegokolwiek wady Produktu, o której Kupujący poinformował sprzedającego w okresie Gwarancji, sprzedawca będzie zobowiązany do naprawy lub wymiany Produktu na własny koszt chyba że jest to niemożliwe lub nieuzasadnione.
- Jeżeli naprawa lub wymiana Produktu nie jest możliwa, kupujący może zażądać proporcjonalnego obniżenia ceny lub, jeśli wada jest wystarczająco istotna, rozwiązania umowy sprzedaży.
- Wymienione lub naprawione części objęte niniejszą gwarancją nie przedłużą okresu gwarancji oryginalnego Produktu, ale będą miały osobną gwarancję.
- Aby niniejsza gwarancja weszła w życie, nabywca musi przedstawić dowód daty zakupu i dostawy Produktu.
- Jeżeli po sześciu miesiącach od dostarczenia Produktu do nabywcy powiadomi o wadzie produktu, nabywca musi przedstawić dowód pochodzenia i istnienie rzekomej wady.
- Niniejsze świadectwo gwarancji wydawane jest bez uszczerbku dla praw odpowiadających konsumentom na mocy przepisów krajowych.

**WARUNKI INDYWIDUALNE**

- Niniejsza gwarancja obejmuje produkty, o których mowa w niniejszej instrukcji.
- Niniejszy Certyfikat Gwarancji będzie obowiązywać wyłącznie w krajach Unii Europejskiej.
- Aby ta gwarancja była skuteczna, nabywca musi ściśle przestrzegać instrukcji producenta zawartych w dokumentacji dostarczonej z
- Produktem, w przypadkach, w których ma zastosowanie zgodnie z zakresem i modelem Produktu.
- W przypadku określenia harmonogramu wymiany, konserwacji lub czyszczenia niektórych części lub komponentów produktu gwarancja zostanie udzielona tylko, jeśli ten harmonogram został dotrzymany.

**OGRANICZENIA**

- Niniejsza gwarancja będzie miała zastosowanie wyłącznie do sprzedaży dokonywanej na rzecz konsumentów, rozumienia przez «konsumenta», osobę, która kupuje Produkt do celów nie związanych z jego działalnością zawodową.
- Normalne zużycie wynikające z użytkowania produktu nie jest gwarantowane. W odniesieniu do zużytych lub zużywalnych części, komponentów i / lub materiałów, takie jak baterie, żarówki itp. będą miały zastosowanie postanowienia zawarte w dokumentacji dostarczonej z produktem.
- Gwarancja nie obejmuje przypadków, gdy Produkt; (I) został nieprawidłowo użytkowany; (II) został naprawiony, serwisowany lub obsługiwany przez osoby nieuprawnione osoby lub (III) zostały naprawione lub serwisowane bez użycia oryginalnych części. W przypadkach, gdy wada Produktu jest wynikiem nieprawidłowej instalacji lub rozruchu, ta gwarancja będzie miała zastosowanie tylko wtedy, gdy wspomniana instalacja lub uruchomienie zostanie zawarte w umowie sprzedaży produktu i została przeprowadzona przez producenta lub na jego odpowiedzialność.

**SEGREGACJA ODPADÓW**

- W celu zmniejszenia ilości odpadów urządzeń elektrycznych i elektronicznych, zmniejszenia niebezpieczeństwa komponentów, zachecenia do ponownego użycia aparatury, oceny odpadów i stworzenia odpowiedniego systemu przetwarzania odpadów oraz poprawy efektywności ochrony środowiska, ustanowiono zbiór zasad w odniesieniu do wytwarzania produktu i innych zasad dotyczących właściwego traktowania środowiska, gdy te produkty się stają odpadem.
- Ma to również na celu poprawę praktyk środowiskowych wszystkich podmiotów zaangażowanych w towary elektryczne i elektroniczne, w tym producentów, dystrybutorów, użytkowników, a szczególnie tych bezpośrednio zaangażowanych w przetwarzanie odpadów pochodzących z tych urządzeń.
- Od 13 sierpnia 2005 r. Istnieją dwa sposoby pozbycia się tego urządzenia:
- Jeśli kupisz nowy, równoważny aparat lub który ma takie same funkcje, jak ten, który chcesz zbywać, możesz przekazać go bezpłatnie dystrybutorowi przy dokonywaniu zakupu, lub.
- Możesz zabrać go do lokalnych punktów zbiórki.
- Obejmujemy koszty przetwarzania odpadów.
- Aparatura jest oznaczona symbolem «przekreślonego pojemnika na odpady». Ten symbol oznacza, że urządzenie podlega innej selekcji odpadów, odmiennej od ogólnych zasad selekcji.
- Nasze produkty zostały zaprojektowane i wyprodukowane przy użyciu najwyższej jakości materiałów i komponentów przyjaznych dla środowiska, które można ponownie wykorzystać i poddać recyklingowi. Mimo to kilka części tego produktu nie ulega biodegradacji i dlatego nie należy pozostawiać ich w środowisku. Do poprawnego recyklingu tego produktu, proszę całkowicie odłączyć silnik elektryczny od reszty sprzętu do 8ltracji.



## BEZPEČNOSTNÍ VÝSTRAHY

Při instalaci a používání elektrického zařízení je potřeba vždy dodržovat základní bezpečnostní pravidla. Čtěte pozorně následující text.

### VÝSTRAHA

Vysavač není hračka a je určen k obsluze osobami staršími 8 let.

Před použitím vysavače si každý musí pečlivě prostudovat návod.

1. Zařízení mohou používat děti od 8 let a osoby se sníženými smyslovými nebo mentálními schopnostmi nebo s nedostatečnými zkušenostmi a znalostmi v případě, že na ně někdo dohlíží nebo byly poučeny o používání zařízení bezpečným způsobem a pokud chápou rizika související s provozem tohoto zařízení. Vysavač je určen k čištění bazénů a domácích lázní.
2. Děti si s tímto zařízením nesmí hrát.
3. Uživatelské čištění a údržbu zařízení nesmí provádět děti.
4. Při používání používejte originální baterie a nabíječku. Nabíjejte je pouze při vypnutém robotu.
5. Vysavač ukládejte na čisté a suché místo. Nevystavujte slunci a blízkosti výbušnin.
6. Za provozu se nepřibližujte k hlavici vysavače, zejména držte v bezpečné vzdálenosti části těla, zvířata, vlasy a oděvy, sací síla hlavičky je vysoká.
7. Vysavač nedemontujte bez odborného dohledu nebo návodu výrobce nebo autorizovaného distributora.
8. Zamezte úniku mazacího oleje do vody.
9. V případě jakékoliv závady vysavač zastavte; pro výměnu za originální součásti/příslušenství kontaktujte autorizovaného distributora.
10. Pracovní podmínky vysavače:
  - 11.1 Maximální hloubka bazénu: 3 m (10 ft).
  - 11.2 Teplota vody: 4°C (39.2°F)–35°C (95°F)

### 1. Připojení USB

1. Pro nabíječku včetně USB spojení je povoleno pouze výstupní napětí 5 V.
2. Pro použití v interiéru. Nabíječku nepoužívejte ve venkovním prostředí a nevystavujte dešti, vlhkosti, kapalinám ani teplotě.
3. Nabíječku uchovávejte mimo dosah dětí.
4. Nabíječku nepoužívejte, pokud zjistíte jakékoliv poškození.
5. S vysavačem ani nabíječkou nemanipulujte mokřima rukama a bosýma nohama, pokud se zařízení nabíjí.
6. Pokud nabíječku nepoužíváte, odpojte ji ze sítě.
7. Pokud je nabíjecí kabel USB poškozen, musí být vyměněn za nový nabíjecí kabel, aby nedošlo k nebezpečí.
8. Před nabíjením se ujistěte, že čistič, USB kabel a nabíječka jsou zcela suché.
9. Vysavač před prvním použitím nabíjejte 5 hodin. Běžně lze vysavač po úplném nabití provozovat asi 30 minut.

### 2. Likvidace baterií

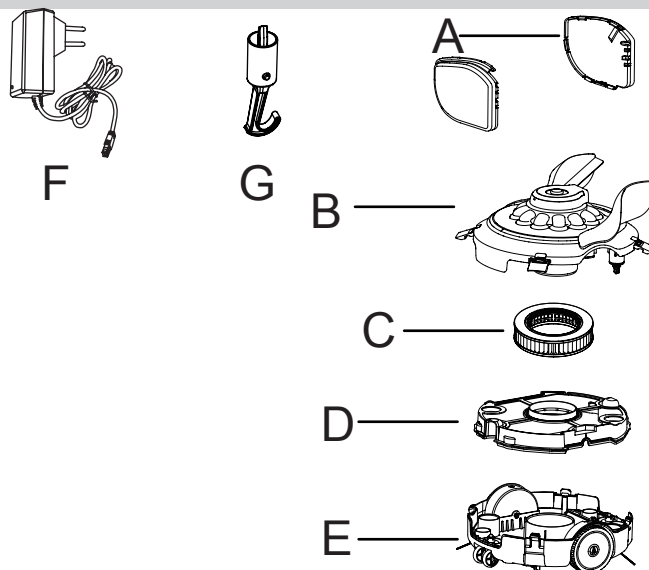
1. Baterie vysavače je lithiová a je třeba ji řádně zlikvidovat, další informace vám poskytnou místní úřady.
2. Lithiovou baterii se nikdy nepokoušejte otevřít.
3. Při odpojování lithiové baterie od vysavače si sundejte veškeré šperky jako prsteny, náramky, řetízky a hodinky.
4. Baterie způsobuje zkratové proudy, a pokud jsou vysoké, může způsobit závažné popáleniny.
5. Při vyjímání sady baterií používejte kompletní ochranu očí, rukavice a ochranný oděv.
6. V blízkosti vysavače nekuřte ani nepoužívejte plamen a jiskry, může vypouštět neznámé plyny.
7. V případě kontaktu kyseliny s kůží a oděvy kůži ihned omyjte velkým množstvím vody s mýdlem a oděv vyperte.
8. V případě vniknutí kyseliny do očí ihned vyplachujte oči studenou tekoucí vodou po dobu alespoň 15 minut. Ihned vyhledejte lékařskou pomoc.

**Výše uvedené výstrahy v žádném případě nejsou vyčerpávající a nemohou pokrýt všechna rizika závažného úrazu.** Majitel bazénu/domácích lázní musí vždy při provozu vysavače používat zdravý rozum a logický úsudek.



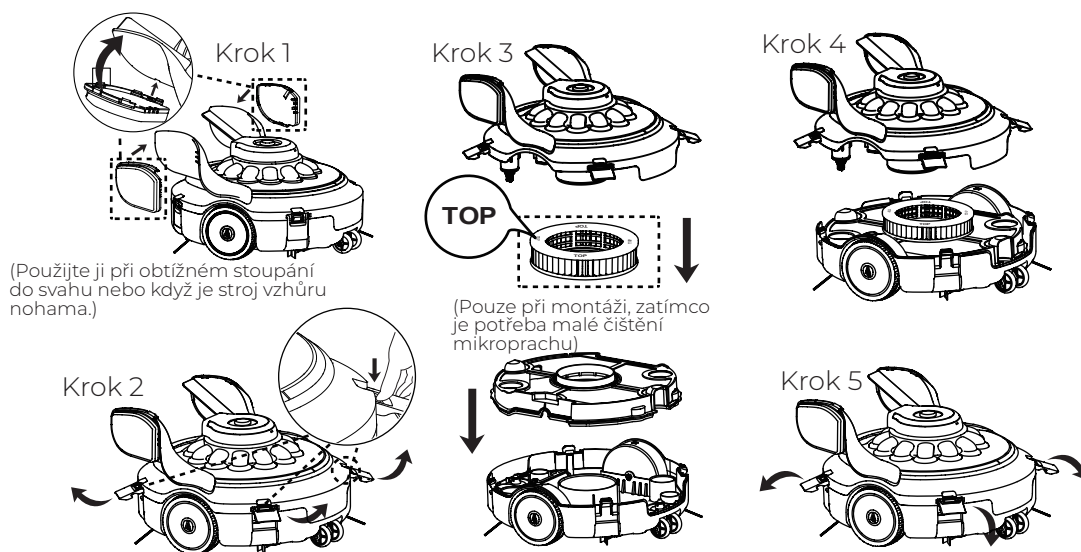
## MONTÁŽ

- A: Floater  
 B: Horní kryt  
 C: Kazetový filtr (Montáž a čištění POUZE pro malý mikroprach)  
 D: Filtr  
 E: Spodní základna  
 F: Připojení  
 G: Háček



Tryskková hlava se nachází na horní palubě. Voda proudí zespodu do hlavy a posouvá robota vpřed. Když narazí na překážku, hlava se otočí o 180°, čímž se robot vyhne překážce a pohybuje se po jiné linii. Spodní filtr shromažďuje a ukládá odpad do nádoby.

## MONTÁŽ A PROVOZ

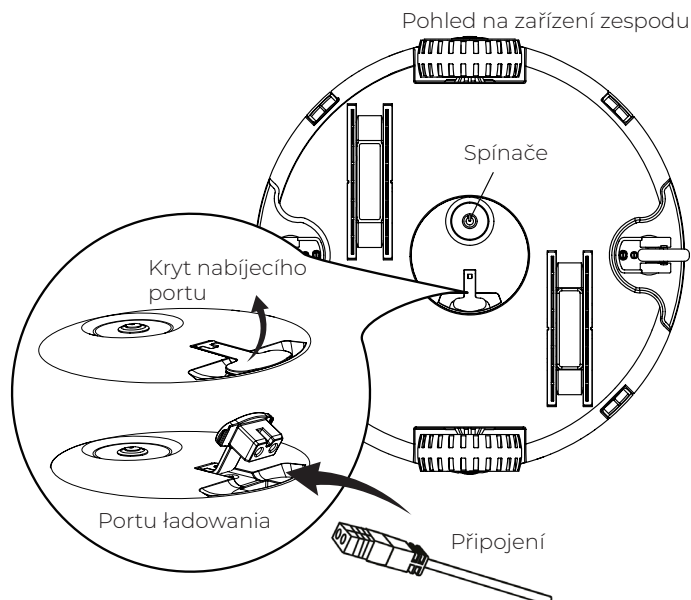


### Varování před nabíjením:

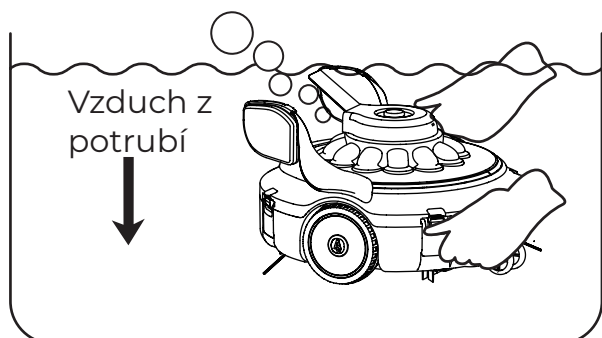
- Používejte pouze originální externí adaptér a nabíjecí kabel dodaný se zařízením.
  - Před instalací se ujistěte, že jsou robot a nabíjecí porty čisté a suché.
  - Před prvním použitím robota plně nabijte jeho baterii (asi 8 hodin).
1. Před nabíjením sejměte kryt nabíjecího portu.
  2. Zapojte nabíječku do nabíjecího portu a poté ji nabijte.

**Poznámka:** Když se robot začne nabíjet, kontrolka na externím adaptéru se rozsvítí červeně. Když je baterie téměř plně nabitá, indikátor svítí zeleně.

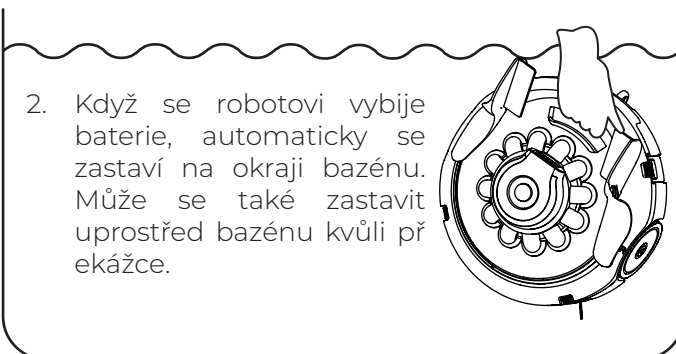
3. Po nabití vraťte kryt nabíjecího portu zpět do nabíjecího portu a před vstupem do vody se ujistěte, že je zcela utěsněn.



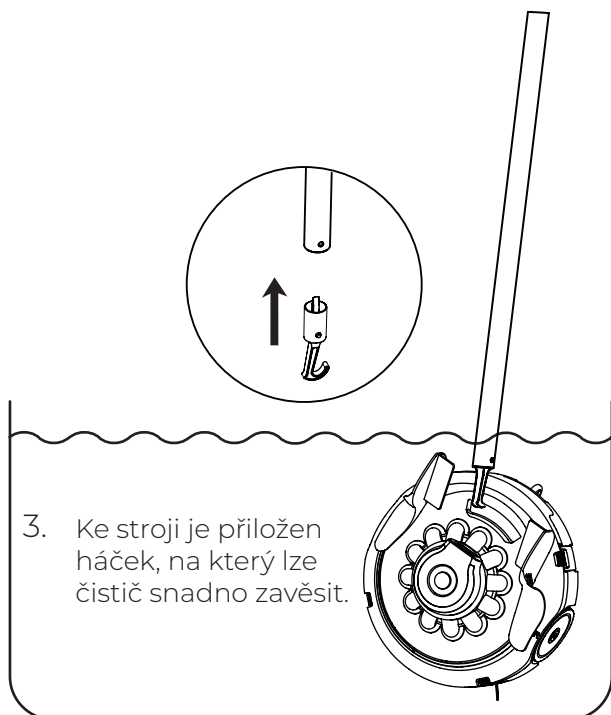
## NAPÁJENÍ ZAP



1. Zapněte vypínač, rozsvítí se kontrolka, vložte robota vodorovně do bazénu a počkejte, až se robot volně potopí na dno bazénu, trvá asi 20-30 sekund, než se z něj nejprve vypustí vzduch.



2. Když se robotovi vybijí baterie, automaticky se zastaví na okraji bazénu. Může se také zastavit uprostřed bazénu kvůli překážce.

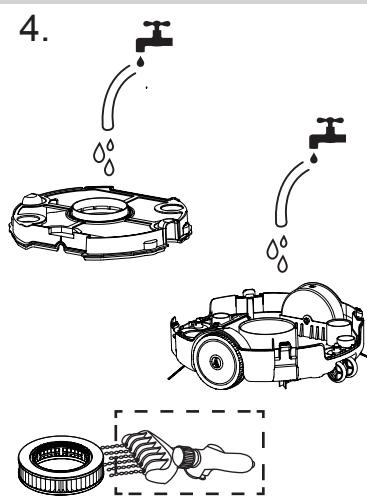
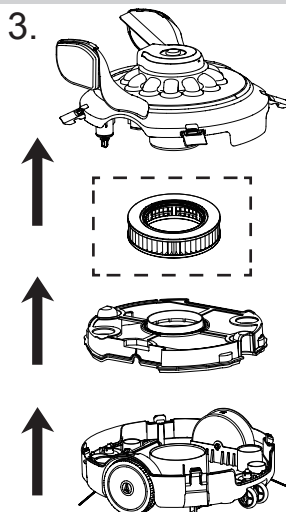
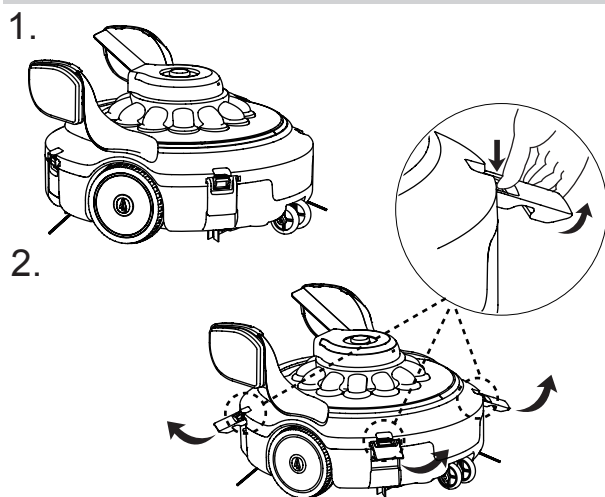


3. Ke stroji je přiložen háček, na který lze čistič snadno zavěsit.

### Poznámka:

1. Doporučujeme vypnout filtrační systém bazénu, protože cirkulace vody v bazénu může ovlivnit pohyb robota.
2. Překážky v bazénu, jako jsou schody, ovlivňují klouzání robota a jeho dráhu čištění.
3. Pokud používáte nádrž na sůl, ujistěte se, že se veškerá sůl před vložením robota do vody rozpustila.

## ODSTRANĚNÍ ODPADU



Čistič filtrů (není součástí dodávky)

## ÚDRŽBA A SKLADOVÁNÍ

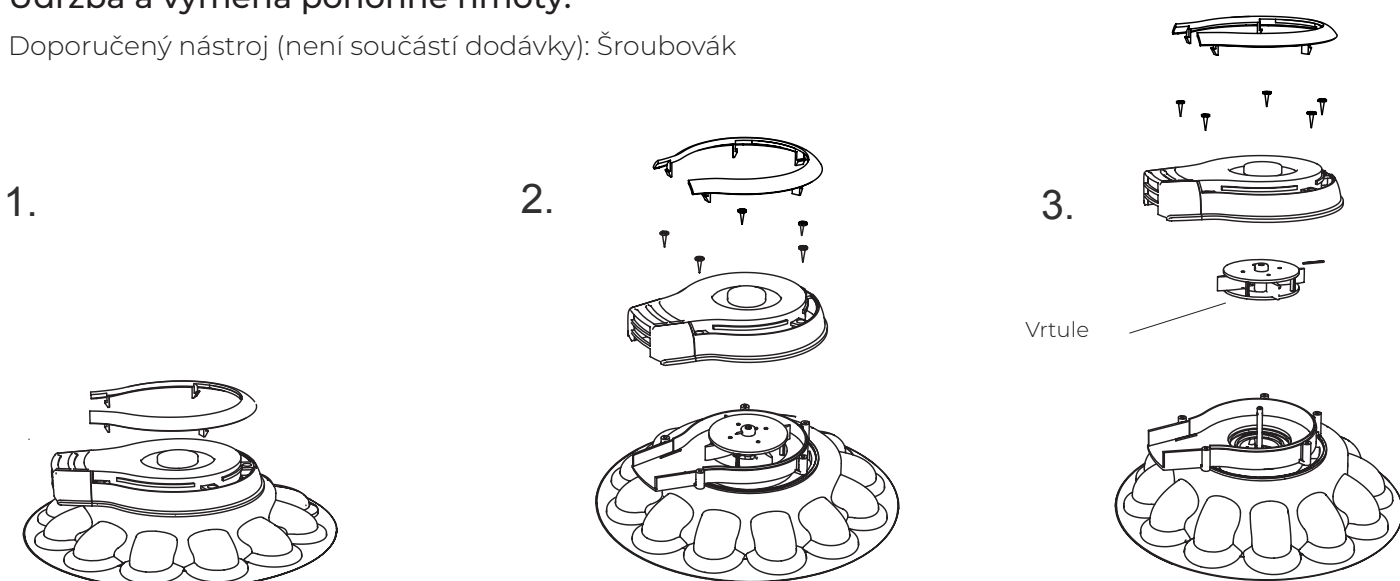
1. Baterie se během skladování vybíjí. Dbejte, aby byl robot před uskladněním plně nabitý.
2. Když výrobek nepoužíváte, musíte baterii alespoň jednou za tři měsíce dobít
  - Odpojte venkovní adaptér ze zásuvky a pak napájecí kabel z adaptéru a z robotu.
  - Odstraňte z robotu příslušenství. V případě potřeby robot a příslušenství opláchněte čistou vodou. Nepoužívejte čisticí přípravky.
  - Dbejte, aby byl robot před uskladněním vyprázdněný.

- Robot a příslušenství otřete a osušte vlhkým hadříkem.
- Skladujte na dobře větraném místě mimo dosah slunečních paprsků, tepla, zápalných zdrojů, chemikálií a dětí.
- Teplota skladování by měla být 10°C–25°C (50°F–77°F).

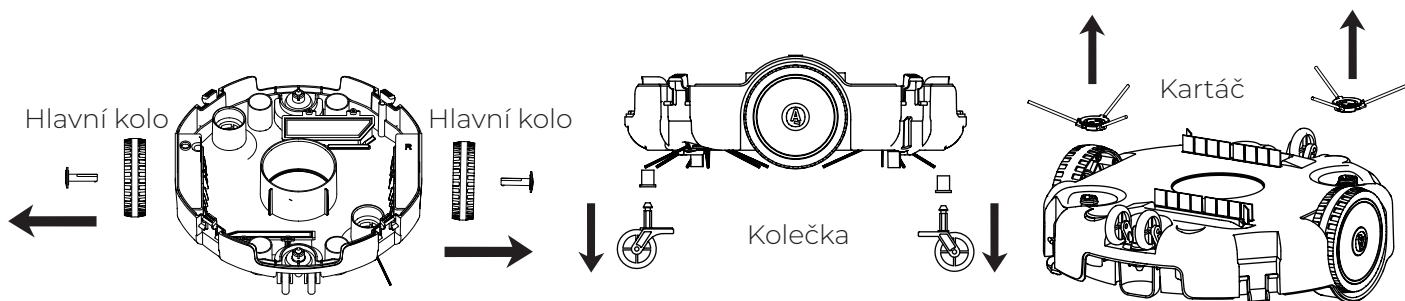
**Poznámka:** Vyšší teploty mohou zkrátit životnost baterie.

### Údržba a výměna pohonné hmoty:

Doporučený nástroj (není součástí dodávky): Šroubovák



### Údržba a výměna kol:



**Poznámka:** hlavní kolo má na boku magnety. Ohledně výměny a údržby se obraťte na svého prodejce.

## MONTÁŽ A VÝMĚNA BATERIE

### ! VÝSTRAHA



S elektrospotřebiči nenakládejte jako s netříděným komunálním odpadem. Využijte zařízení pro oddělený sběr. Informace o dostupných sběrných systémech získáte od místní samosprávy.

- Lithiovou baterii bez povolení nevyjímejte.
- Při vyjímání lithiové baterie z vakuového zařízení sejměte prsten, náramek, náhrdelník a hodinky.
- Zkratový proud generovaný baterií stačí k tomu, aby se prsten (nebo podobné předměty) adsorboval a způsobil vážné popáleniny.
- Před vyjmutím baterie si nasadte ochranný kryt očí, rukavice a ochranný oděv.
- Dávejte pozor, abyste se nedotkli drátu nebo jakýchkoli kovových částí, mohlo by dojít k jiskření nebo zkratu.
- V blízkosti vysavače nekuřte, nevytvářejte jiskry ani plamen, jinak by mohlo dojít k vznícení baterie a vzniku plynu.
- Nevystavujte baterii ohni nebo vysokým teplotám,

jinak může dojít k explozi.

#### Poznámka!

V případě vytečení baterie se vyhněte kontaktu s poškozenou baterií a vložte ji do plastového sáčku. Pokud dojde ke kontaktu pokožky nebo oděvu s kyselinou, okamžitě omyjte velkým množstvím vody a mýdla.

Pokud dojde ke kontaktu očí s kyselinou, vyplachujte oči vodou po dobu alespoň 15 minut a běžte k lékaři pro ošetření

### Výměna baterie:



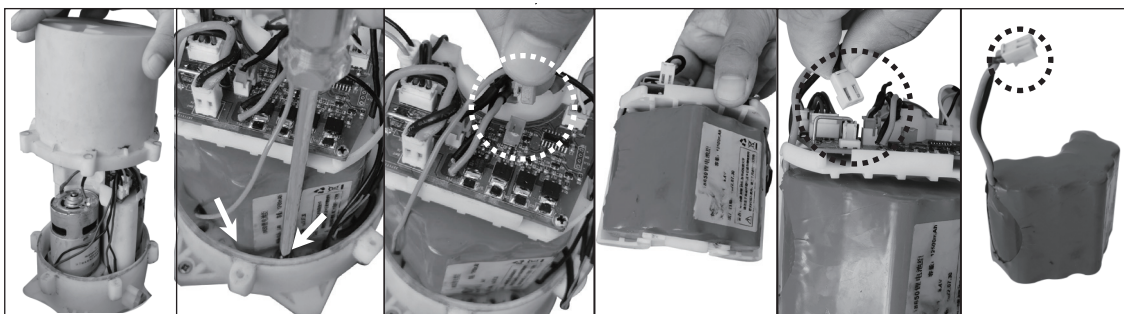
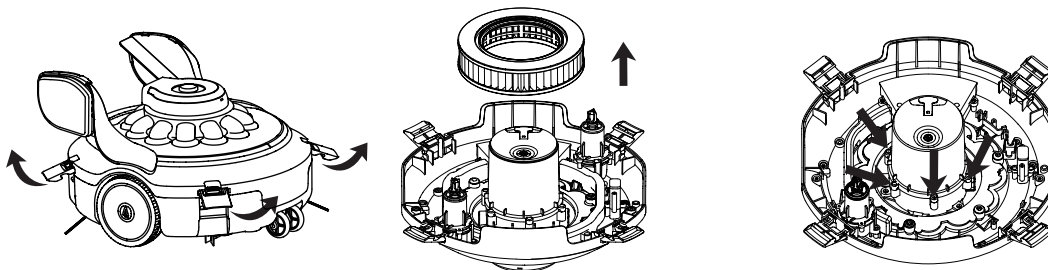
**Poznámka:** Před jakoukoliv výměnou akumulátoru se uživatel musí poradit s prodejcem.

1. Vytáhněte čtyři spony jádrové části horního krytu směrem ven a oddělte jej od sestavy těla spodního krytu, vyjměte filtr na mikročástice.
2. Pomocí šroubováku odstraňte všechny šrouby na napájení spodního krytu.
3. Otevřete kryt baterie, najděte kabel pro připojení baterie, stiskněte sponu na konektoru, vytáhněte ji a vyjměte baterii.

4. Podle kroků pro rozmontování znovu nainstalujte baterii a sestavte nabíjecí částí. **Poznámka:** (1) Pokud jsou v těsnicím kroužku nečistoty, vyčistěte ho a nainstalujte zpět do drážky těsnicího kroužku. (2) Věnujte pozornost směru montáže. Šest otvorů pro šrouby musí být ve stejném směru tak, aby byly šrouby zajištěny.



**Poznámka:** Konektor ihned omotejte izolační páskou, aby nedošlo ke zkratu způsobenému kontaktem dvou svorek vodičů.



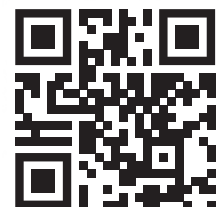
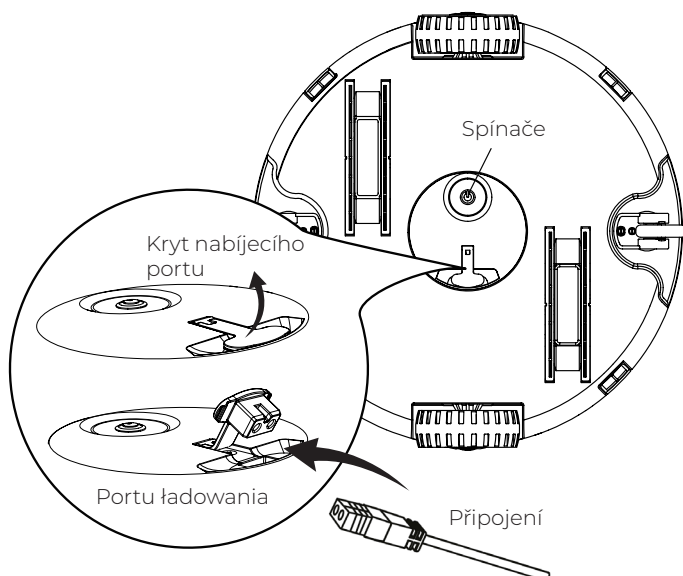
## ODSTRAŇOVÁNÍ ZÁVAD

Pokud máte s vysavačem problémy, pro obnovení provozu použijte návod k odstraňování závad níže.

**Poznámka:** Před zahájením každé opravy odpojte napájení.

PROBLÉM	MOŽNÉ PŘÍČINY	ŘEŠENÍ
Vysavač nevysává smetí	Baterie není dost nabitá	Dobijte ji prosím.
	Vrtule se zasekává	Vypněte vysavač a očistěte smetí z vrtule. V případě potřeby se obraťte pro další pokyny na svého prodejce. Výstraha! Před zahájením servisu zkontrolujte, zda je vysavač vypnutý.
	Poškození vrtule	Pro výměnu kontaktujte svého prodejce
	Filtr je plný	Vyčistěte smetí z membrány filtru.
Robot se uprostřed bazénu přestane pohybovat, ale rotující hlava se otáčí dál.	Robot byl zastaven překážkou.	Zkontrolujte, zda není čistič ucpaný. Odstraňte překážky.
	Robot je blokován sací jímkou na dně bazénu.	Deaktivujte filtrační systém (viz návod k použití).
	Pozadí není zcela ploché.	Potřebujete více minut před dalším pohybem nebo Vyhladte podlahu nebo zastříhnete spodní lištu kartáče. Náhradní díly si vyžádejte u svého prodejce.
Robot nepokrývá celý bazén nebo se nepohybuje podél stěny bazénu.	Nádoba na smetí je přeplněná	Očistěte membránu a vložku filtru
	Provozní doba je kratší, než se očekávalo.	Vyčistěte filtrační komoru a nabíjejte baterii robota po dobu 4 až 5 hodin.
	Cirkulace vody díky filtračnímu systému přerušuje směr jízdy.	Deaktivujte filtrační systém (viz návod k použití).
	Kolo se zaseklo.	Zkontrolujte, zda na kolech nejsou nečistoty, a pokud ano, odstraňte je.
Robot se pohybuje pomalu.	Příhrádka je plná.	Vyčistěte prostor filtru a kryt.
Rotační hlava se neotáčí nebo se otáčí velmi pomalu.	Výklopné dno je zaseknuté	Vyčistěte příhrádku a kryt příhrádky Příhrádka je plná. Zkontrolujte, zda pod rotující hlavou nejsou nečistoty, a v případě potřeby je odstraňte. Lze jím otáčet ručně a oplachovat vodou, dokud se nebude hladce pohybovat.filtr.
	Nádoba na smetí je přeplněná	Očistěte membránu a vložku filtru

PROBLÉM	MOŽNÉ PŘÍČINY	ŘEŠENÍ
Odpad vychází z robota.	Ventil na sací trysce (ve spodní části robota) je poškozený.	Deflektor s přísavkou slouží jako dvířka, která zabraňují úniku nečistot z prostoru. Pokyny k náhradním dílům a výměně získáte od svého prodejce.
Smetí vypadává z předního otvoru	Poškození záklopky zpětného toku nečistot	Záklopku vyměňte. Pro náhradní díl kontaktujte svého prodejce.
Pokud nabíječka svítí trvale červeně, nemůže se přepnout na zelené světlo déle než 8 hodin.	Poškozená baterie.	Pro výměnu baterie kontaktujte prodejce. Výstraha! Baterii sami nevyměňujte při zapnutém vysavači. Mohli byste si způsobit závažný nebo smrtelný úraz a zneplatnit záruku.
Pokud se nabíječka během velmi krátké doby rozsvítí zeleně a zařízení také funguje jen krátkou dobu (přibližně půl hodiny, je třeba provést vícenásobné ověření).		
Když se výrobek po dokončení práce začne nabíjet, pokud na nabíječce svítí zelená kontrolka (ujistěte se, že je kabel nabíječky plně a správně připojen k externímu adaptéru a k robotu).	Nabíjení je poškozené.	Pro výměnu kontaktujte prodejce. Výstraha! Použití nesprávného adaptéru povede k poškození vysavače / baterie a zneplatnění záruky.
Pokud se nabíječka již nerozsvítí		
Vypínač nefunguje nebo je mimo provoz. *	Kolem seneru nebo snímače oxidace se nachází odpadky.	Čištění snímače pomocí papíru, hadříku nebo kartáčku, podle obrázků; nebo viz video online.



**You Tube**



## OBECNÉ PODMÍNKY

- V souladu s těmito podmínkami zaručuje prodávající, že výrobek, pro nějž se vystavuje tato záruka (dále jen „Výrobek“), je v okamžiku dodávky v bezvadném stavu.
- Záruka se poskytuje na dobu dvou (2) let od data dodávky kupujícími.
- Pokud kupující oznámí prodávajícímu během záruční doby závadu výrobku, je prodávající povinen Výrobek opravit nebo vyměnit na své náklady, pokud by to nebylo nemožné nebo nepřiměřené.
- Pokud by nebylo možno Výrobek opravit nebo vyměnit, může kupující žádat přiměřenou slevu z ceny, nebo v případě závažné závady ukončit prodejní smlouvu.
- Vyměněné nebo opravené součásti v rámci záruky neprodlužují záruku na původní Výrobek, ale jsou předmětem samostatné záruky.
- Aby bylo možno uplatnit záruční reklamaci, musí kupující předložit doklad o datu nákupu a dodávky Výrobku.
- Pokud po šesti měsících od dodávky Výrobku kupujícími oznámí kupující vadu Výrobku, musí prokázat původ a existenci této závady.
- Tento záruční list nemá vliv na práva spotřebitele podle národních předpisů

## INDIVIDUÁLNÍ PODMÍNKY

- Tato záruka se týká výrobku, k němuž patří tato příručka.
- Tento záruční list lze uplatnit pouze v zemích Evropské unie.
- Aby byla tato záruka platná, musí kupující přísně dodržovat pokyny výrobce uvedené v dokumentaci k Výrobku, pokud se na daný model Výrobku vztahují.
- Pokud jsou pro výměnu, údržbu a čištění konkrétních součástí Výrobku předepsány intervaly, bude záruka platit jen v případě jejich dodržování.

## OMEZENÍ ZÁRUKY

- Tato záruka se vztahuje pouze na prodej „spotřebiteli“ pro soukromé, nekomerční využívání.
- Do záruky nespadá běžné opotřebení Výrobku. V ohledem na spotřební materiály a součásti, jako jsou baterie, vestavěné světlo apod. platí ustanovení dokumentace Výrobku.
- Záruka se nevztahuje na závady způsobené; (I) nesprávným používáním Výrobku nebo manipulací s ním; (II) opravou, servisem nebo manipulací neoprávněnými osobami nebo (III) použitím neoriginálních dílů na opravu nebo servis. V případě závady způsobené nesprávnou instalací nebo spuštěním se záruka uplatní pouze tehdy, pokud je instalace a uvedení do provozu součástí prodejní smlouvy a provedl ho prodávající nebo osoba, za niž byl prodávající odpovědný.



## PŘEŠKRTNUTÁ NÁDOBA NA ODPADKY

- Pro snížení objemu elektrického a elektronického odpadu a snížení rizika představovaného součástmi elektrických a elektronických zařízení se doporučuje recyklace zařízení oprávněným systémem likvidace tohoto typu odpadu s ohledem na ochranu životního prostředí. Za tímto účelem má výrobce elektrických a elektronických zařízení zaveden systém správné ekologické likvidace svých výrobků po skončení jejich životnosti.
- 1.2 Jeho cílem je rovněž zlepšit ekologické zacházení se všemi součástmi a materiály použitými v elektrických a elektronických zařízeních ze strany výrobců, distributorů, uživatelů a společností pro zpracování odpadů z těchto zařízení.
- 1.3 Od 13. srpna 2005 existují dva způsoby likvidace těchto zařízení:
- 1.4 Pokud si zakoupíte nové zařízení se stejnou funkcí jako to, které likvidujete, můžete ho předat bezplatně distributorovi při koupi nového zařízení, nebo.
- 1.5 jej můžete odevzdat v příslušném sběrném středisku odpadů.
- 1.6 Náklady na likvidaci odpadu hradíme my.
- 1.7 Zařízení je označeno symbolem přeškrtnuté nádoby na odpad. Tento symbol znamená, že zařízení je předmětem třídění odpadu a nesmí se likvidovat společně s běžným domovním odpadem.
- 1.8 Naše výrobky jsou navrhovány a vyráběny v nejvyšší kvalitě, z ekologických materiálů a součástí, které lze recyklovat a používat opakovaně. Přesto některé součásti našich výrobků nejsou biologicky rozložitelné a nesmí být ponechány v životním prostředí. Pro správnou recyklaci tohoto výrobku odpojte prosím elektromotor od zbytku filtračního systému

## BEZPEČNOSTNÉ UPOZORNENIE

Pri inštalácii a používaní tohto elektrického zariadenia by ste mali vždy dodržiavať základné bezpečnostné opatrenia. Pozorne si prečítajte nasledovné.

### UPOZORNENIE

Čistič nie je hračka a obsluhujú ho osoby staršie ako 8 rokov.

Každý, kto obsluhuje čistič, si musí pred prácou pozorne prečítať návod.

1. Zariadenia môžu používať deti od 8 rokov a osoby so zníženými zmyslovými alebo mentálnymi schopnosťami alebo s nedostatočnými skúsenosťami a znalosťami len v prípade, ak sú pod dohľadom alebo boli poučení o používaní zariadenia bezpečným spôsobom a ak rozumejú rizikám spojených s používaním tohto zariadenia. Čistič je určený na čistenie bazénov, víriviek.
2. Deti by sa so zariadením nemali hrať.
3. Používateľské čistenie a údržbu zariadenia nesmú vykonávať deti.
4. Pri používaní používajte originálne batérie a nabíjačku. Nabíjajte iba vtedy, keď je robot vypnutý.
5. Čistič odložte na čisté a suché miesto. Nevystavujte ho slnečnému žiareniu, ani ho neumiestňujte do blízkosti výbušnín.
6. Nezatvárajte hlavu vysávača, keď pracuje, kvôli jej sacej sile, najmä pre ľudské telo, zvieratá, vlasy alebo oblečenie.
7. Čistič nerozoberajte bez odborného vedenia alebo oznámenia od autorizovaného distribútora alebo výrobcu.
8. Nenechajte vytiect' mazací olej, môže spôsobiť znečistenie vody.
9. Zastavte prácu čističa, keď niečo nefunguje; Kontaktujte autorizovaného distribútora alebo ho vymeňte za originálne diely/príslušenstvo.
10. Pracovné podmienky čističa:
  - 11.1 Maximálna použiteľná hĺbka vody: 40 - 300cm.
  - 11.2 Teplota vody: 4°C (39.2°F) - 35°C (95°F)

### 1. USB nabíjačka

1. Používajte len nabíjačku s výstupným napätím 5 V (vrátane USB rozbočovača).
2. Iba na použitie v interiéroch. Nabíjačka by sa nemala používať v exteriéroch a nemala by byť vystavená dažďu, vlhkosti, tekutinám alebo teplu.
3. Chráňte nabíjačku pred deťmi.
4. Nabíjačku nikdy nepoužívajte, ak zistíte akékoľvek poškodenie.
5. Pri nabíjaní čističa nemanipulujte s čističom a nabíjačkou mokрыmi rukami a bosými nohami.
6. Ak nabíjačku nepoužívajte, odpojte ju od napájania.
7. Ak je USB nabíjačka poškodená, je potrebné ju vymeniť za novú nabíjačku, aby sa predišlo nebezpečenstvu.
8. Pred nabíjaním skontrolujte, či sú vysávač, USB kábel aj nabíjačka úplne suché.
9. Pred prvým použitím vysávač nabíjajte 5 hodín. Po úplnom nabití možno za bežných podmienok vysávač používať asi 30 minút.

### 2. Likvidácia batérie

1. Batéria čističa je lítiová batéria, musí sa zlikvidovať správnym spôsobom. Ďalšie informácie vám poskytnú miestny orgán.
2. Lítiovú batériu sa nikdy nepokúšajte demontovať.
3. Pri odpájaní lítiovej batérie z jednotky vysávača odstráňte všetky osobné predmety, ako sú prstene, náramky, náhrdelníky a hodinky.
4. Batéria spôsobuje skratový prúd, ako aj vážne popálenie, ak je teplota dostatočne vysoká.
5. Pri vyberaní batérie majte na sebe kompletnú ochranu očí, rukavice a ochranný odev.
6. V blízkosti čističa nefajčite ani ho nevystavujte otvorenému ohňu. Mohlo by to spôsobiť toxické plyny.
7. Ak dôjde ku kontaktu kyseliny s pokožkou a odevom, okamžite ich opláchnite veľkým množstvom vody s mydlom.
8. Ak dôjde ku kontaktu kyseliny s očami, okamžite ich vypláchnite prúdom studenej vody najmenej 15 minút. Okamžite vyhľadajte lekársku pomoc.

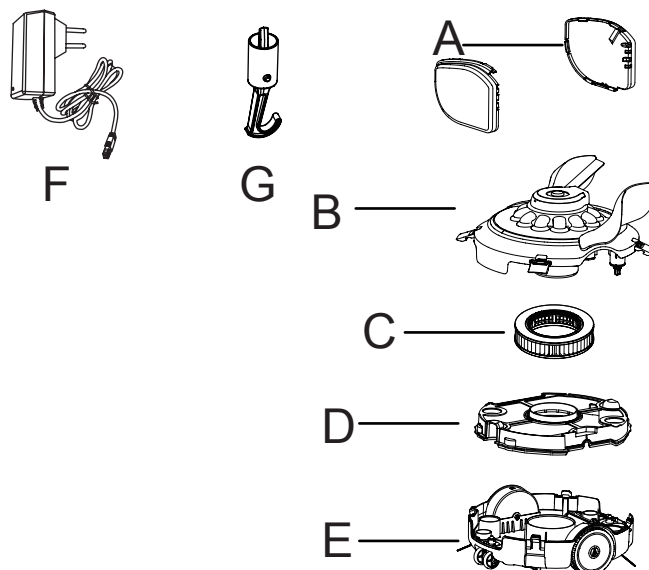
**Vyššie uvedené výstrahy a varovania nemajú za cieľ obsiahnuť všetky možné prípady rizika a/alebo vážneho zranenia.** Majitelia bazénov/víriviek by mali byť pri práci s čističom vždy opatrní a používať zdravý úsudok.

# NÁVOD NA POUŽITIE

SK

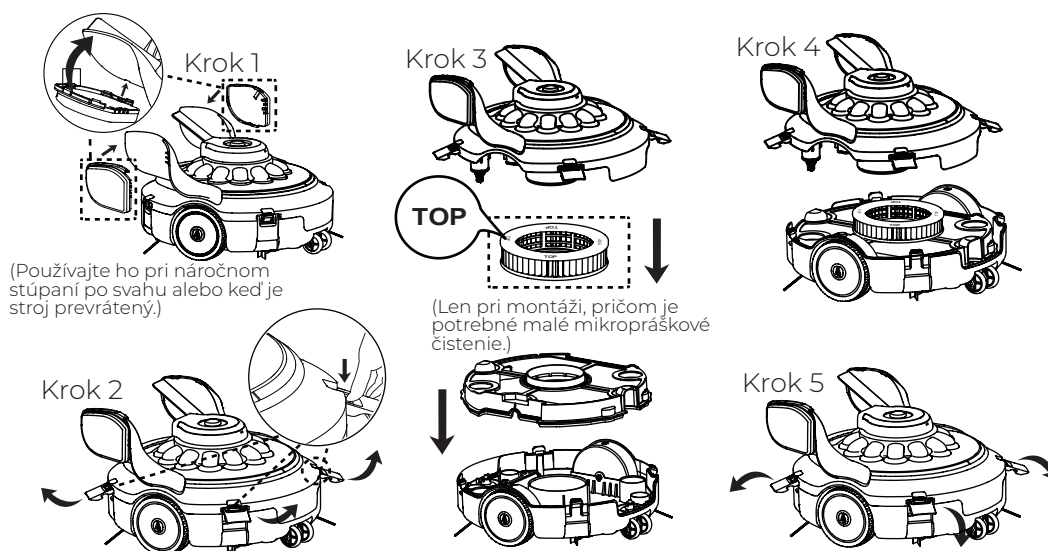
## MONTAJE

- A: Float  
B: Horný kryt  
C: Filter vložky (Montáž a čistenie len pre malý mikro-  
prášok)  
D: Filter  
E: Dolná základňa  
F: Nabíjačka  
G: Háčik



Hlavná tryska sa nachádza na hornej palube. Voda prúdi zospodu do hlavy a posúva robota dopredu. Keď naraží na prekážku, hlava sa otočí o 180°, čím sa robot vyhne prekážke a pohybuje sa po inej línii. Spodný filter zhromažďuje a ukladá odpad do nádoby.

## MONTÁŽ A PREVÁDZKA



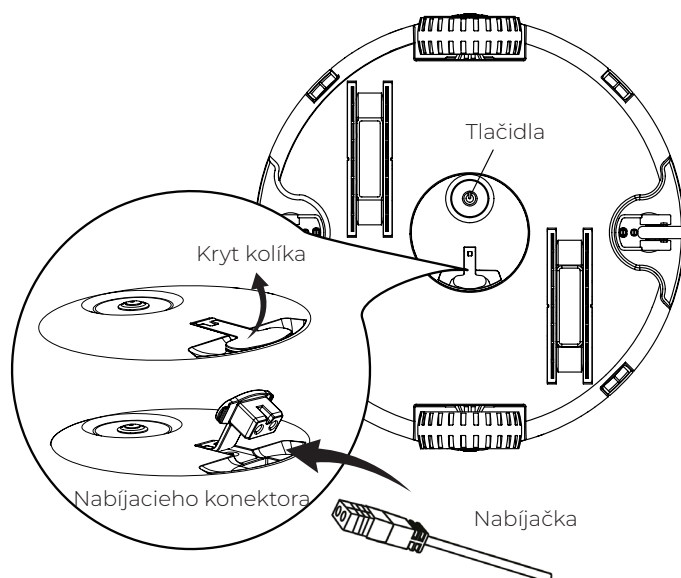
### Varovanie pred nabíjaním:

- Používajte iba originálny externý adaptér a nabíjací kábel dodaný so zariadením.
  - Pred inštaláciou sa uistite, že robot aj nabíjacie porty sú čisté a suché.
  - Pred prvým použitím robota úplne nabite jeho batériu (približne 5 hodín).
1. Pred nabíjaním vyberte kryt kolíka.
  2. Zapojte nabíjačku do nabíjacieho portu a potom začnite nabíjať.

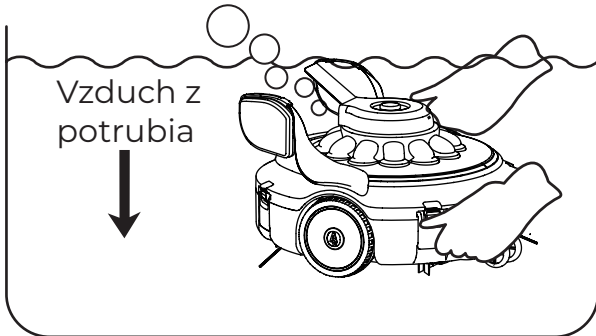
**Poznámka:** Keď sa robot začne nabíjať, kontrolka na externom adaptéri sa rozsvieti na červeno. Keď je batéria takmer úplne nabitá, indikátor svieti na zeleno.

3. Po nabití vložte kryt kolíka späť do nabíjacieho portu a pred vstupom do vody sa uistite, že je kryt úplne utesnený.

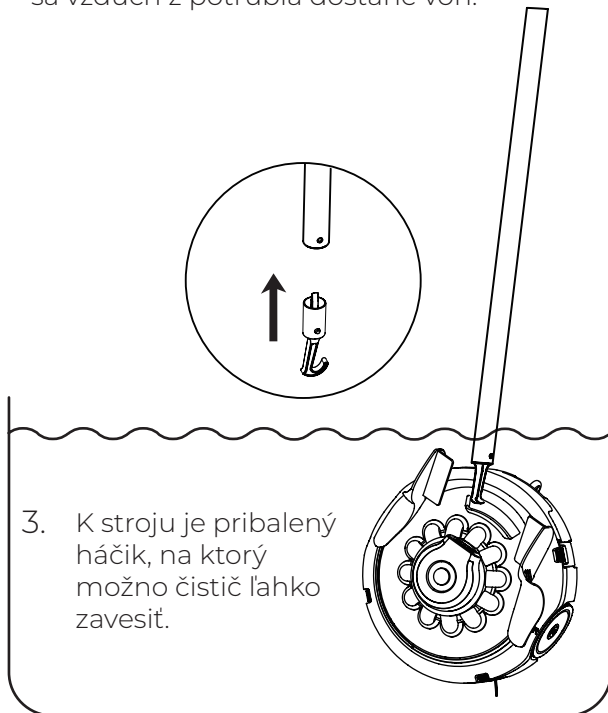
Pohľad na zariadenie zdola



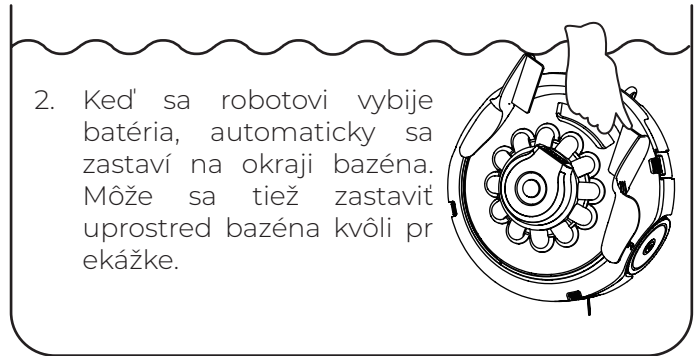
## ZAPNUTIE



1. Zapnite vypínač, rozsvieti sa indikátor, vložte robota vodorovne do bazéna a počkajte, kým robot voľne klesne na dno bazéna, trvá približne 20-30 sekúnd, kým sa vzduch z potrubia dostane von.



3. K stroju je pribalovaný háčik, na ktorý možno čistič ľahko zavesiť.

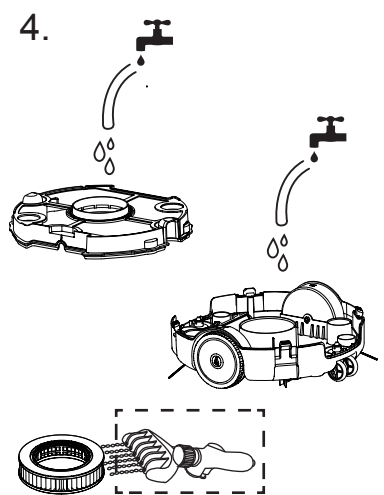
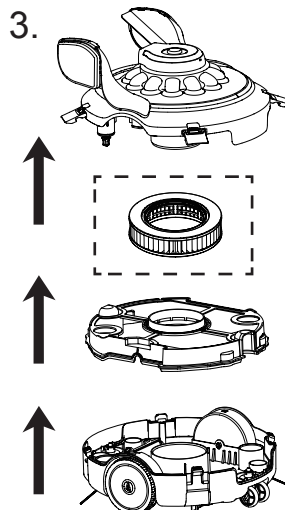
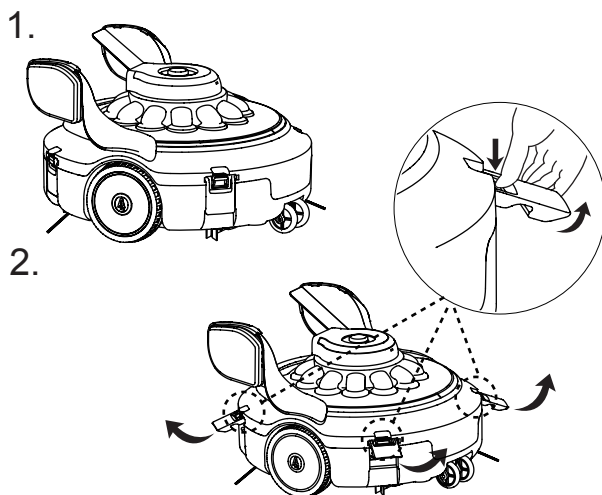


2. Keď sa robotovi vybijie batéria, automaticky sa zastaví na okraji bazéna. Môže sa tiež zastaviť uprostred bazéna kvôli prekážke.

### Poznámka:

1. Odporúča sa deaktivovať filtračný systém bazéna, pretože cirkulácia vody v bazéne môže ovplyvniť pohyb robota.
2. Prekážky v bazéne, ako napríklad schody, ovplyvnia kĺžanie robota a jeho dráhu čistenia.
3. Ak používate nádrž na soľ, pred vložením robota do vody sa uistite, že sa všetka soľ rozpustila.

## ODSTRÁNENIE ODPADU



Čistič filtra (nie je súčasťou dodávky)

## ÚDRŽBA A SKLADOVANIE

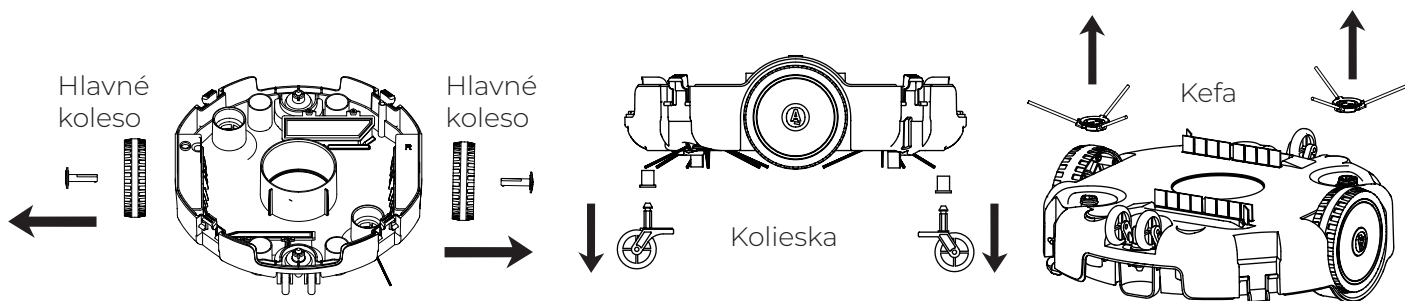
1. Batéria sa počas skladovania vybíja. Pred uskladnením sa uistite, či je robot úplne nabitý.
  2. Ak batériu nepoužívate, musíte ju nabíjať najmenej každé tri mesiace.
- Odpojte externý adaptér zo zásuvky a potom nabíjací kábel z externého adaptéra a robota.
  - Vyberte príslušenstvo z robota. Ak je to potrebné, opláchnite robot a príslušenstvo čistou vodou. Nepoužívajte čistiaci prostriedok.
  - Pred uskladnením sa uistite, či je robot vypustený.
  - Pomocou mokrej handričky robot a jeho príslušenstvo očistite a osušte.
  - Skladujte na dobre vetranom mieste mimo dosahu slnečného žiarenia, tepla, zdrojov ohňa, chemikálií pre bazény a detí.
  - Teplota prostredia skladovania by mala byť 10 °C–25 °C (50 °F– 77 °F).
- Poznámka:** vyššia teplota môže skrátiť životnosť batérie.

### Údržba a výmena obežného kolesa:

Odporúčaný nástroj (nie je súčasťou dodávky): skrutkovač



### Údržba a výmena kolies:



**Poznámka:** hlavné koleso má na boku magnety. Ohľadom výmeny a údržby sa obráťte na svojho predajcu.



## INŠTALÁCIA A VÝMENA BATÉRIE

### ! UPOZORNENIE



S elektrosportrebičmi nenakladajte ako s netriedeným komunálnym odpadom, využite zariadenia na separovaný zber. Informácie o dostupných zberných systémoch získate od miestnej samosprávy.

- Lítiovú batériu bez povolenia nevyberajte.
- Pri vyberaní lítiovej batérie z vysávača si dajte dole prsteň, náramok, náhrdelník a hodinky.
- Skratový prúd generovaný batériou je dostatočný na adsorbovanie krúžku (alebo podobných predmetov), čo spôsobuje vážne popáleniny.
- Pred vybratím batérie si nasadte ochranný kryt na oči, rukavice a ochranný odev.
- Dávajte pozor, aby ste sa nedotkli drôtu alebo akýchkoľvek kovových častí, pretože by to mohlo spôsobiť iskrenie alebo skrat.
- V blízkosti vysávača nefajčite, nerobte iskry ani plameň, pretože by sa mohla vznietiť batéria a vytvoriť plyn.

- Batériu nevystavujte ohňu alebo vysokej teplote, inak môže dôjsť k výbuchu.

#### Poznámka!

V prípade vytečenia batérie sa vyhňte kontaktu s poškodenou batériou a vložte ju do plastového vrečka.

Ak sa pokožka alebo odev dostanú do kontaktu s kyselinou, okamžite umyte veľkým množstvom vody a mydla.

Ak sa oči dostanú do kontaktu s kyselinou, vyplachujte oči vodou aspoň 15 minút a pošlite pacienta na ošetrovanie k lekárovi.

### Výmena batérie:



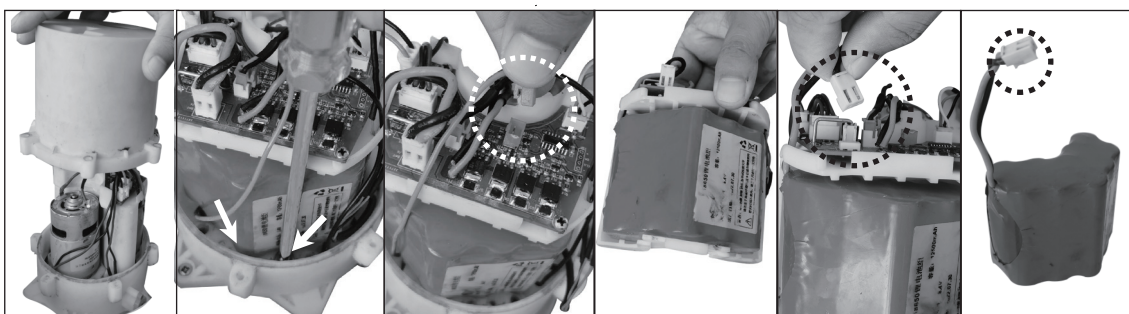
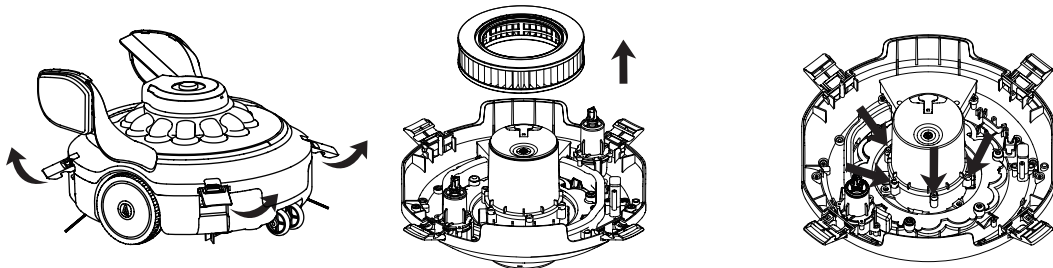
**Poznámka:** Pred výmenou batérie sa musí používateľ poradiť s predajcom.

1. Vytiahnite štyri spony základnej časti horného krytu smerom von a oddelte ho od sústavy tela spodného krytu, vyberte filter mikročastíc.
2. Pomocou skrutkovača odskrutkujte všetky skrutky na kryte napájania spodného krytu.
3. Otvorte kryt batérie, nájdite vedenie pripojenia batérie, stlačte sponu na konektore, vytiahnite ju a vyberte batériu.

4. Podľa krokov demontáže znova nainštalujte batériu a zmontujte nabíjacie časti. **Poznámka:** (1) ak sú v tesniacom krúžku nečistoty, vyčistite ho a nainštalujte späť do drážky tesniaceho krúžku. (2) Dávajte pozor na smer montáže. Šesť otvorov pre skrutky musí byť zarovnaných, aby sa skrutky zaistili.



**Poznámka:** Okamžite omotajte konektor izolačnou páskou, aby ste predišli skratu spôsobenému kontaktom dvoch svoriek vodičov.



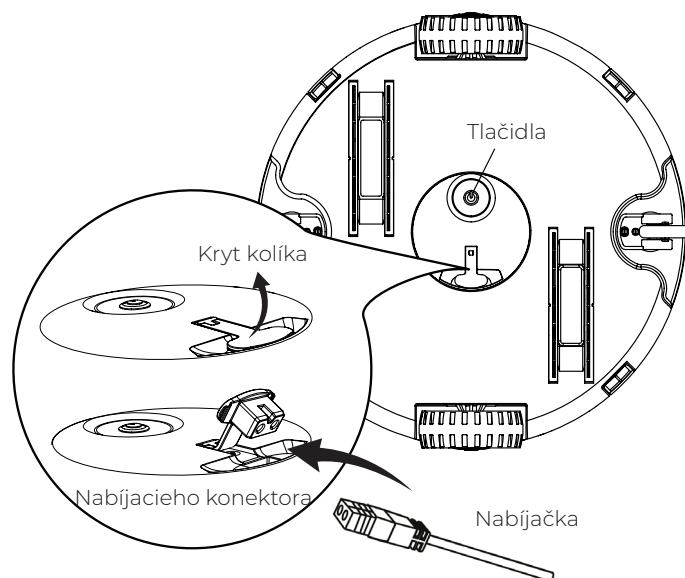


## RIEŠENIE PROBLÉMOV

Ak máte problémy s čističom, postupujte podľa krokov na riešenie problémov uvedených nižšie a obnovte výkon. **Poznámka:** pred vykonaním akýchkoľvek opráv vypnite napájanie.

PROBLÉM	MOŽNÉ PRÍČINY	RIEŠENIE
Nepodarilo sa vyčistiť odpad	Batéria je takmer vybitá	Nabite
	Zanesenie rotora	Vypnite čistič a skontrolujte rotor, aby ste odstránili odpad. Ak je to potrebné, o ďalšie pokyny požiadajte svojho predajcu. <b>Upozornenie!</b> Pred opravou zariadenia sa uistite, či je čistič vypnutý.
	Poškodenie rotora	Ohľadom výmeny kontaktujte svojho predajcu.
	Filter je plný	Vyčistite odpad z filtračného sitka.
Robot sa uprostred bazéna prestane pohybovať, ale rotujúca hlava sa naďalej otáča.	Robota zastavila prekážka.	Skontrolujte, či nie je čistič upchatý. Odstráňte prekážky.
	Robot je blokováný sacou vaňou na dne bazéna.	Deaktivujte filtračný systém (pozri návod na použitie).
	Pozadie nie je úplne ploché.	Potrebuje viac minút pred ďalším pohybom alebo vyhladte podlahu alebo zastrihnite spodný pás kefy. O náhradné diely požiadajte svojho predajcu.
Robot nepokrýva celý bazén alebo sa nepohybuje pozdĺž steny bazéna.	Oddelenie je plné.	Vyčistite odpad z filtračného sitka a filtračného prvku.
	Prevádzkové obdobie je kratšie, ako sa očakávalo.	Vyčistite filtračnú komoru a nabíjajte batériu robota 4 až 5 hodín.
	Cirkulácia vody vďaka filtračnému systému prerušuje smer jazdy.	Deaktivujte filtračný systém (pozri návod na použitie).
	Koleso je zaseknuté.	Skontrolujte, či na kolesách nie sú nečistoty, a ak áno, odstráňte ich.
Robot sa pohybuje pomaly.	Odpad je príliš plný	Vyčistite odpad z filtračného sitka a filtračného prvku.
Rotačná hlava sa neotáča alebo sa otáča veľmi pomaly.	Sklápacie dno je zaseknuté	Oddelenie je plné. Skontrolujte, či pod rotujúcou hlavou nie sú nečistoty, a v prípade potreby ich odstráňte. Môžete ho otáčať rukou a oplachovať vodou, kým sa nebude pohybovať hladko.
	Odpad je príliš plný	Vyčistite odpad z filtračného sitka a filtračného prvku.

PROBLÉM	MOŽNÉ PRÍČINY	RIEŠENIE
Odpad vychádza z robota.	Ventil na nasávacej dýze (v spodnej časti robota) je poškodený.	Deflektor s prísavkou slúži ako dvierka, ktoré zabraňujú úniku nečistôt z priestoru. Pokyny k náhradným dielom a výmene vám poskytne váš predajca.
Zanieczyszczenia wypływają przez przednią przezroczystą pokrywę	Poškodenie čepele proti vyliatiu	Vymeňte kus proti spätnému toku. V súvislosti s náhradnými dielmi sa obráťte na svojho predajcu.
Ak nabíjačka svieti trvalo červeným svetlom, nemôže sa prepnúť na zelené svetlo dlhšie ako 8 hodín.	Poškodenie batérie.	Ak chcete batériu vymeniť, obráťte sa na predajcu. Upozornenie! Čistič nezapínajte a nevymieňajte batériu sami. Môže to spôsobiť vážne alebo smrteľné zranenie, takže záruka nebude platná.
Ak sa nabíjačka vo veľmi krátkom čase prepne na zelené svetlo a zariadenie tiež funguje len krátky čas (približne pol hodiny, je potrebné viacnásobné overenie).		
Keď sa výrobok po dokončení práce začne nabíjať, ak nabíjačka svieti zeleným svetlom (skontrolujte, či je kábel nabíjačky úplne a správne pripojený k externému adaptéru a k robotovi).	Nabíjačka je poškodená	Požiadajte predajcu o výmenu. Upozornenie! Použitie nesprávneho externého adaptéru spôsobí poškodenie čističa / batérie a stratu záruky.
Ak sa nabíjačka už nerozsvieti		
Vypínač nefunguje alebo je vypnutý.*	Okolo snímača alebo senzora je odpad.	Vyčistite snímač papierom, handričkou alebo kefkou podľa obrázkov; alebo si pozrite video na internete.



## ZÁRUČNÝ LIST

### VŠEOBECNÉ PODMIENKY

- V súlade s týmito ustanoveniami predávajúci zaručuje, že výrobok zodpovedajúci tejto záruke („výrobok“) je v čase dodania v perfektnom stave.
- Záručná doba na výrobok je dva (2) roky od dátumu jeho dodania kupujúcemu.
- V prípade akejkoľvek chyby na výrobku, ktorú kupujúci oznámi predávajúcemu počas záručnej doby, bude predávajúci povinný opraviť alebo vymeniť výrobok na svoje vlastné náklady a vždy, keď to uzná za vhodné, pokiaľ to nie je nemožné alebo nerozumné.
- Ak nie je možné opraviť alebo vymeniť výrobok, môže kupujúci požiadať o proporcionálne zníženie ceny pri ukončení kúpnej zmluvy, ak je chyba dostatočne závažná.
- Vymenené alebo opravené porty v rámci tejto záruky nepredĺžia záručnú dobu pôvodného výrobku, ale budú mať samostatnú záruku.
- Aby mohla táto záruka nadobudnúť účinnosť, musí kupujúci poskytnúť doklad o dátume nákupu a dodania výrobku.
- Ak po šiestich mesiacoch odo dňa dodania výrobku kupujúcemu oznámi chybu výrobku, musí kupujúci predložiť dôkaz o pôvode a existencii údajnej chyby.
- tento záručný list sa vydáva bez toho, aby boli dotknuté práva zodpovedajúce spotrebiteľom podľa vnútroštátnych predpisov..

### INDIVIDUÁLNE PODMIENKY

- Táto záruka sa vzťahuje na výrobky uvedené v tomto návode.
- Tento záručný list bude platný iba v krajinách Európskej únie.
- Aby bola táto záruka účinná, kupujúci musí striktne dodržiavať pokyny výrobcu uvedené v dokumentácii dodanej s výrobkom, v prípadoch, keď je to uplatniteľné podľa rozsahu a modelu výrobku.
- Ak je stanovený časový plán výmeny, údržby alebo čistenia určitých častí alebo komponentov výrobku, záruka bude platná, iba ak bude dodržaný tento časový harmonogram.

### OBMEDZENIA

- Táto záruka sa bude vzťahovať iba na predaj uskutočnený spotrebiteľom, pričom pod „spotrebiteľom“ sa rozumie osoba, ktorá kupuje výrobok na účely, ktoré nesúvisia s jeho profesionálnymi činnosťami.
- Normálne opotrebovanie, ktoré pri použití výrobku vzniká, nie je predmetom záruky. Pokiaľ ide o spotrebné diely, komponenty a/alebo materiály, ako sú batérie, žiarovky atď., platia ustanovenia v dokumentácii dodanej s výrobkom.
- Záruka sa nevzťahuje na prípady, keď: (I) sa s výrobkom zaobchádzalo nesprávne; (II) bol opravovaný alebo servisovaný alebo s ním manipulovali neautorizované osoby alebo (III) bol opravovaný alebo servisovaný bez použitia originálnych dielov.
- V prípadoch, keď je chyba výrobku dôsledkom nesprávnej inštalácie alebo uvedenia do prevádzky. Táto záruka bude platiť, len ak je uvedená inštalácia alebo uvedenie do prevádzky zahrnuté v kúpnej zmluve výrobku a bolo vykonané predávajúcim alebo na jeho zodpovednosť.



### PREČIARKNUTÁ NÁDOBA NA ODPAD

- S cieľom znížiť množstvo odpadu elektrických a elektronických prístrojov, znížiť nebezpečenstvo súčastí, podporiť opätovné použitie prístroja, zhodnotiť odpad a zaviesť vhodný systém spracovania odpadu s cieľom zvýšiť účinnosť ochrany životného prostredia bol ustanovený súbor úloh uplatniteľných na výrobu výrobku a ďalšie úlohy týkajúce sa správneho spracovania životného prostredia, keď sa z týchto výrobkov stane odpad.
- Je tiež zameraný na zlepšenie environmentálnych postupov všetkých činiteľov zapojených do elektrických a elektronických tovarov, vrátane výrobcov, distribútorov, používateľov a najmä tých, ktorí sa priamo podieľajú na spracovaní odpadu pochádzajúceho z týchto prístrojov.
- Od 13. augusta 2005 existujú dva spôsoby nakladania s týmto prístrojom:
- Ak si kúpite nový ekvivalentný prístroj alebo taký, ktorý má tie isté funkcie ako ten, ktorý chcete zlikvidovať, môžete ho pri nákupe bezplatne odovzdať distribútorovi, príp.
- Môžete ho odnieť na miestne zberné miesta.
- Pokryjeme náklady na spracovanie odpadu.
- Prístroj je označený symbolom „prečiarknutej nádoby na odpad“. Tento symbol znamená, že prístroj je predmetom zberu triedeného odpadu, odlišného od zberu bežného odpadu.
- Naše výrobky sú navrhnuté a vyrobené z najkvalitnejších, ekologických materiálov a komponentov, ktoré sa dajú opätovne použiť a recyklovať. Napriek tomu, je niekoľko portov tohto výrobku, ktoré nie sú biologicky odbúrateľné, a preto by nemali zostať v životnom prostredí. Pre správnu recykláciu tohto výrobku úplne odpojte elektrický motor od zvyšku filtračného zariadenia.

## AVERTISMENT DE SIGURANȚĂ

La instalarea și utilizarea acestui echipament electric, trebuie să respectați întotdeauna măsurile de siguranță de bază. Vă rugăm să citiți cu atenție următoarele.

### AVERTISMENT

Produsul de curățat nu este o jucărie și este operat de persoane cu vârsta peste 8 ani.

Orice persoană care operează produsul de curățat trebuie să citească manualul cu atenție înainte de a-l lucra.

1. Dispozitivele pot fi utilizate de către copiii de la 8 ani sau mai mult și de către persoane cu capacități senzoriale sau mentale reduse ori cu lipsă de experiență și cunoștințe, numai dacă au primit supraveghere sau instrucțiuni privind utilizarea acestora într-un mod sigur și dacă înțeleg riscurile existente.
2. Copiii nu trebuie să se joace cu dispozitivul.
3. Copii nu trebuie să realizeze curățarea și întreținerea; acestea trebuie făcute de către utilizator.
4. Vă rugăm să folosiți bateriile și încărcătorul original atunci când îl utilizați. Încărcați-l numai atunci când robotul este oprit.
5. Puneți produsul de curățat într-un loc curat și uscat. Nu-l expuneți sub soare sau aproape de explozibil.
6. Nu vă apropiați de capul de vid atunci când funcționează, datorită puterii sale de aspirație, în special pentru om corp, animale, fire de păr sau haine.
7. Nu dezasamblați produsul de curățat fără îndrumare profesională sau notificare din partea distribuitorului autorizat sau a producătorului.
8. Nu scurgeți uleiul de lubrifiant și provoacă poluarea apei.
9. Opriți-vă să lucrați mai curat atunci când este ceva în neregulă; Vă rugăm să contactați distribuitorul autorizat sau să îl înlocuiți cu piesele / accesoriile originale.
10. Condiții de lucru mai curate:
  - 11.1 Adâncimea maximă de apă aplicabilă: 40 - 300cm.
  - 11.2 Temperatura apei: 4°C (39.2°F) - 35°C (95°F)

### 1. Cablu USB

1. Este permisă doar tensiunea de ieșire 5V pentru încărcător, inclusiv conexiunea USB.
2. Numai pentru uz interior. Încărcătorul nu trebuie utilizat în aer liber și nu trebuie expus la ploaie, umiditate, lichide sau căldură.
3. Nu lăsați încărcătorul la îndemâna copiilor.
4. Nu folosiți niciodată încărcătorul dacă se constată deteriorări.
5. Nu manipulați dispozitivul de curățare și încărcătorul cu mâinile ude și picioarele goale, atunci când încărcați dispozitivul de curățat.
6. Deconectați încărcătorul de la alimentare atunci când nu îl folosiți.
7. În cazul în care cablul USB este deteriorat, acesta trebuie înlocuit cu un încărcător nou pentru a evita pericolul.
8. Asigurați-vă că aspiratorul, cablul USB și încărcătorul sunt complet uscate înainte de încărcare.
9. Încărcați aspiratorul cu 5 ore înainte de prima utilizare. În mod normal, aspiratorul poate fi utilizat aproximativ 30 de minute după încărcarea completă.

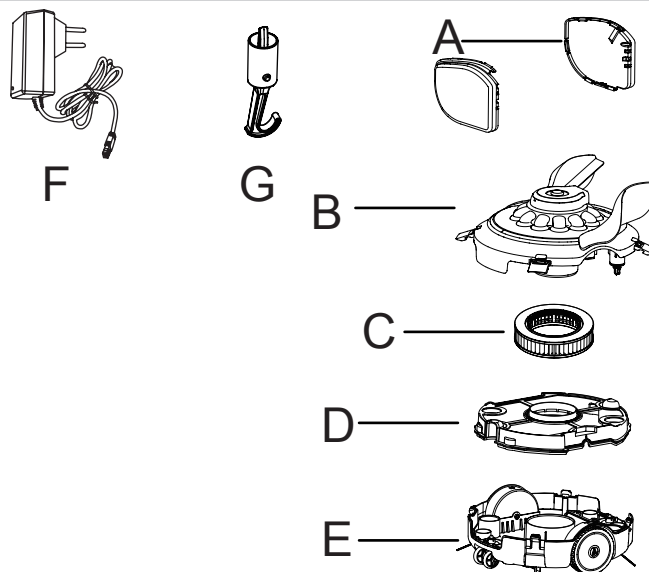
### 2. Eliminarea bateriei

1. Bateria mai curată este o baterie cu litiu, trebuie aruncată corect, vă rugăm să contactați autoritatea locală pentru mai multe informații.
2. Nu încercați niciodată să dezasamblați bateria cu litiu.
3. Scoateți toate obiectele personale, cum ar fi inele, brățări, coliere și ceasuri, atunci când deconectați o baterie cu litiu din unitatea de vid.
4. Bateria provoacă curent scurt de circuit, precum și arsuri severe atunci când este suficient de mare.
5. Purtați protecție completă pentru ochi, mănuși și îmbrăcăminte de protecție atunci când scoateți acumulatorul.
6. Nu se fumează sau nu se aprinde flăcări scânteietoare în apropierea curățătorului sau poate provoca gaze necunoscute.
7. Dacă acidul intră în contact cu pielea și îmbrăcăminte, spălați imediat cu multă apă și săpun.
8. Dacă acidul vine în contact cu ochii, inundați imediat ochii cu apă rece curgând cel puțin 15 minute. Obțineți imediat asistență medicală.

**Avertizarea și precauțiile de mai sus nu sunt destinate să includă toate cazurile posibile de riscuri și/sau vătămări grave.** Proprietarii de piscine/spa trebuie să aibă întotdeauna o prudență intensă și bun simț atunci când operează curățătorul.

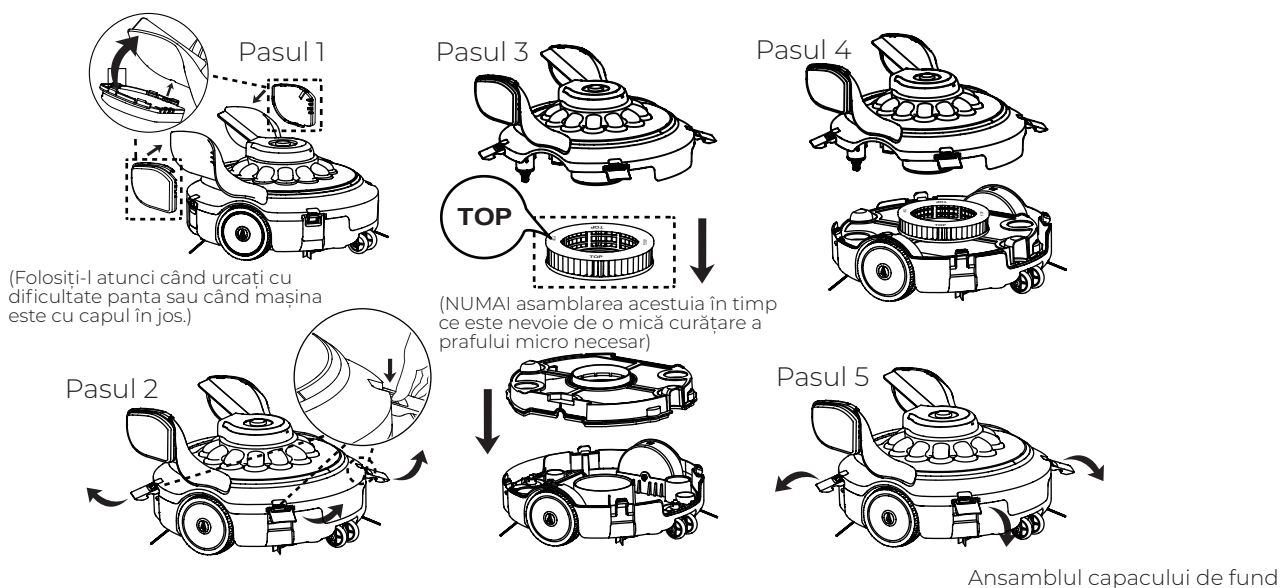
## MONTAJE

- A: Flotor  
 B: Capac superior  
 C: Filtru cartuș (Asamblare și curățare NUMAI pentru micropraf mic)  
 D: Filtru  
 E: Baza  
 F: Alimentator  
 G: Cârlig



Capul jetului este situat pe puntea superioară. Apa curge de jos spre cap pentru a mișca robotul înainte. Când întâlnește un obstacol, capul se rotește cu 180°, ceea ce face ca robotul să evite obstacolul și să se deplaseze pe o altă linie. Filtrul de jos colectează și depozitează deșeurile într-un container.

## MONTAREA ȘI UTILIZAREA

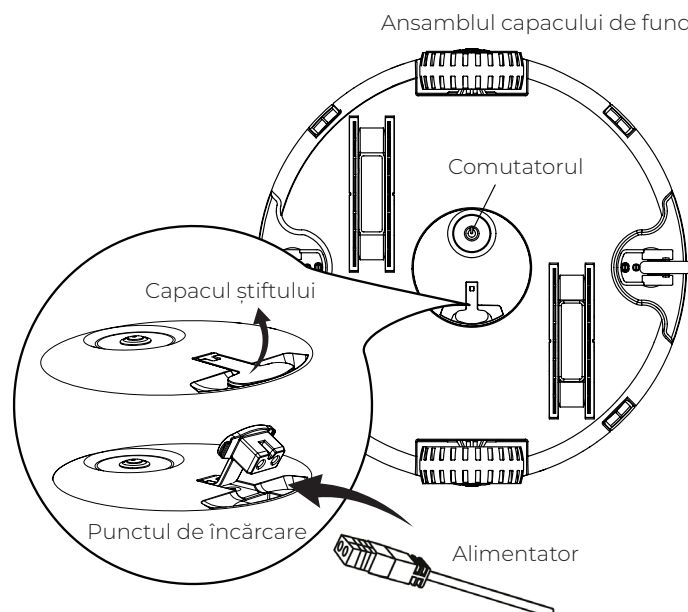


### Avertisment pentru încărcare:

- Utilizați doar adaptorul exterior original și cablul de alimentare furnizat.
  - Înainte de instalare verificați ca robotul și porturile de alimentare sunt curate și uscate.
  - Alimentați robotul înainte de a-l utiliza pentru prima dată (timp de aproximativ 8 ore)
- Scoateți capacul știftului înainte de încărcare.
  - Conectați alimentatorul la portul de încărcare și apoi porniți încărcarea.

**Notă:** După ce alimentarea robotului a început lumina indicatoare de pe adaptorul exterior va deveni roșie. După ce robotul s-a încărcat complet lumina indicatoare va deveni verde.

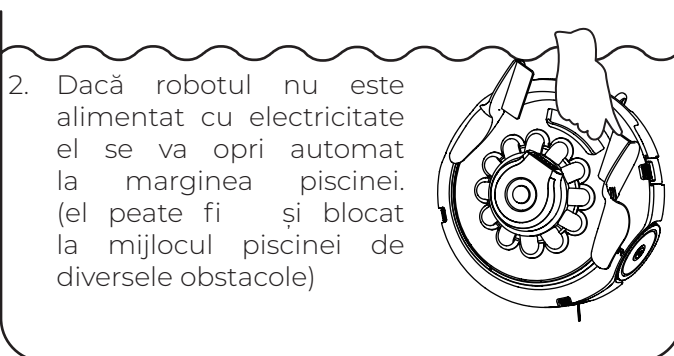
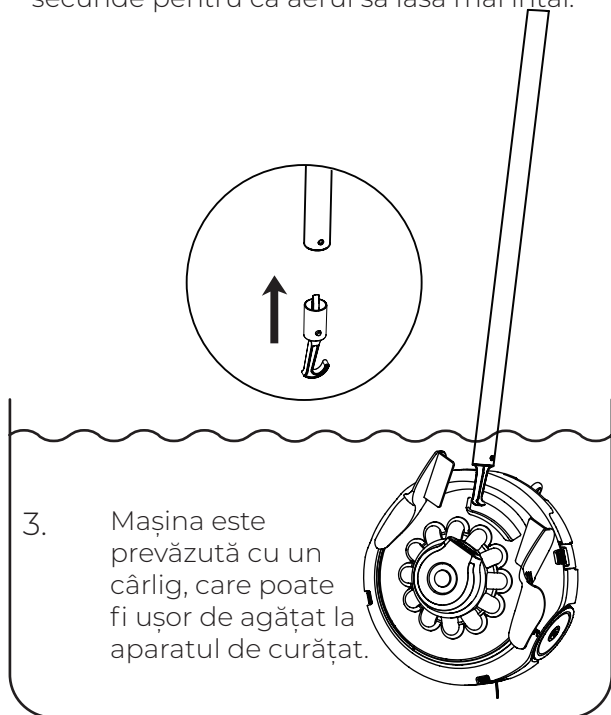
- După încărcare opuneți la loc capacul știftului și verificați dacă acesta este perfect etanș înainte de a-l introduce în apă.



## PORNIRE



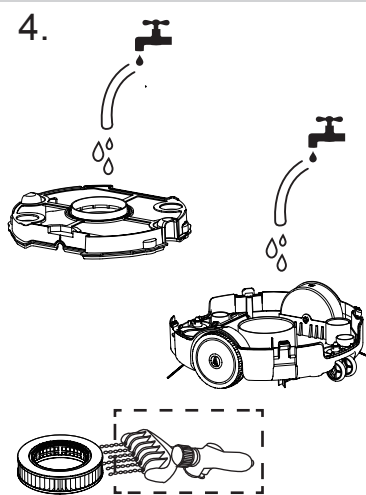
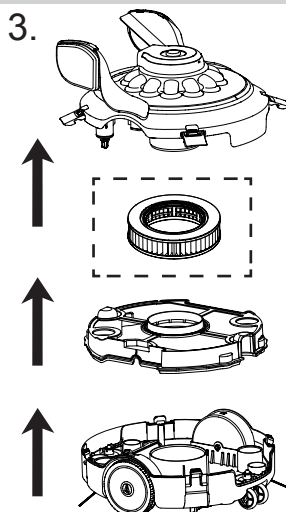
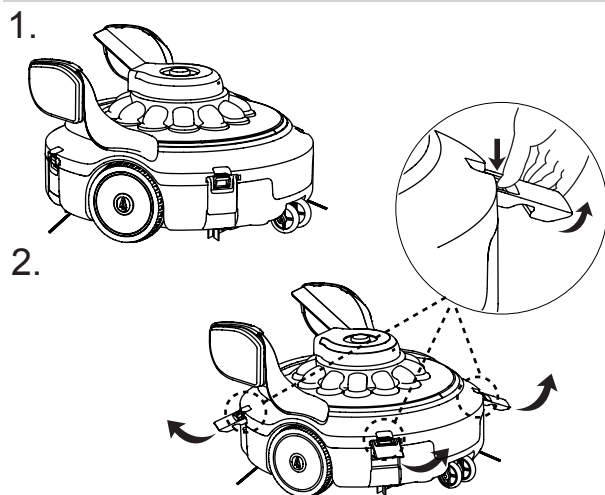
1. Porniți întrerupătorul, indicatorul se aprinde, puneți robotul orizontal în piscină și așteptați ca robotul să se scufunde liber până la fundul piscinei, este nevoie de aproximativ 20-30 de secunde pentru ca aerul să iasă mai întâi.



### Notă:

1. Se recomandă oprirea sistemului de filtrare deoarece circulația apei în piscină poate afecta felul în care se mișcă robotul.
2. Orice obstacol din piscină va afecta deplasarea robotului dar și curățarea traseului, cum ar fi a scării.
3. Dacă se folosește un rezervor de saramură verificați ca toată sarea să se dizolve înainte de a pune robotul în apă.

## ELIMINAREA GUNOIULUI



Filtru de curățare  
(nu este inclus în)



## ÎNTREȚINERE ȘI DEPOZITARE

1. Bateria se descarcă singură în timpul depozitării. Asigurați-vă că robotul este complet încărcat înainte de depozitare.
2. Când nu este utilizat, trebuie să reîncărcați bateria cel puțin o dată la trei luni.
3.
  - Deconectați adaptorul extern de la priză și apoi cablul de încărcare de la adaptorul extern și robot.
  - Scoateți accesoriile din robot. Dacă este necesar, clătiți robotul și accesoriile cu apă curată. Nu folosiți detergent.
  - Asigurați-vă că robotul este golit înainte de depozitare.

- Utilizați o cârpă umedă pentru a curăța și usca robotul și accesoriile acestuia.
- A se păstra într-un loc bine ventilat, departe de lumina soarelui, căldură, surse de incendiu, substanțe chimice pentru piscină și copii.
- Temperatura mediului de stocare trebuie să fie de 10oC– 25oC (50oF– 77 oF).

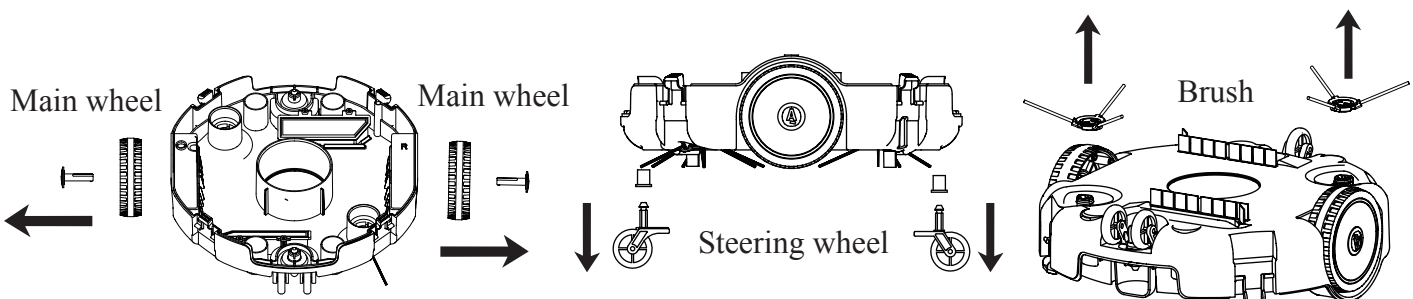
**Notă:** temperatura mai ridicată poate reduce durata de viață a bateriei.

### Întreținerea și înlocuirea elicei::

Sculă recomandată (neinclusă în livrare): șurubelniță



### Întreținerea și înlocuirea roților::



**Notă:** roata principală de pe această parte are magneti. Pentru înlocuire sau întreținere luați legătura cu dealerul.

## MONTAREA ȘI ÎNLOCUIREA BATERIEI

### ⚠️ AVERTISMENT



Aparatele electrice nu trebuie tratate ca deșuri menajere neclasificate; utilizați unități de colectare separate. Pentru informații privind sistemele de colectare disponibile luați legătura cu guvernul dumneavoastră local.

- Nu scoateți bateria cu litiu fără autorizare.
- Când scoateți bateria cu litiu din aspirator scoateți inelele, brățările, colierele și ceasurile.
- Curentul de scurt-circuit generat de baterie este suficient pentru a absorbi inelele (sau alte articole similare), provocând arsuri grave.
- Înainte de a demonta setul de baterii puneți-vă protecții pentru ochi, mănuși și haine de protecție.
- Atenție să nu atingeți firele sau orice piese metalice pentru a nu provoca scântei sau scurt-circuite.
- Nu fumați, nu generați scântei sau flăcări lângă aparatul de curățat; în caz contrar bateria se poate aprinde și poate genera gaze.

- Evitați expunerea bateriei la foc sau la temperaturi înalte, în caz contrar aceasta putând exploda.

#### Notă!

În cazul în care bateria are scurgeri evitați contactul cu ea și puneți-o într-o pungă de plastic.

Dacă pielea sau hainele vin în contact cu acidul spălați imediat cu multă apă și săpun.

Dacă ochii vin în contact cu acidul spălai-i bine cu apă timp de cel puțin 15 minute și apelați la medic pentru tratament.

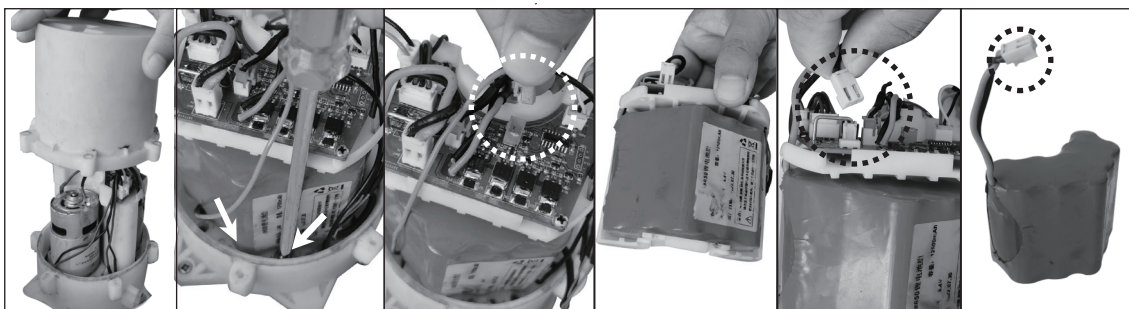
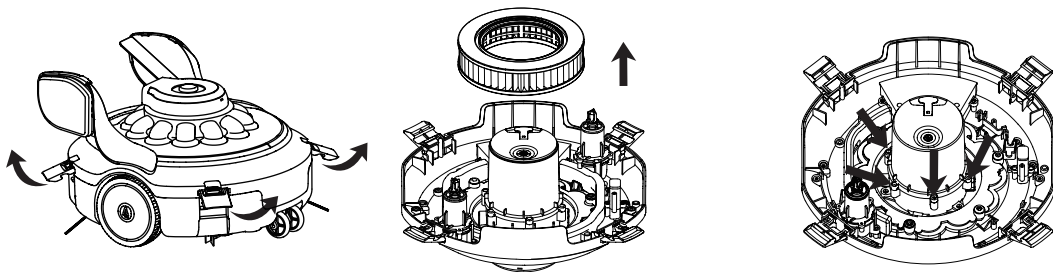
### Înlocuirea bateriei:

**Notă:** Utilizatorul trebuie să consulte distribuitorul înainte de orice înlocuire a bateriei.

1. Scoateți cele patru cleme ale piesei centrale ale capacului superior în afară și separați-le de corpul ansamblului capacului inferior; scoateți filtrul de microparticule.
2. Folosiți o șurubelniță pentru a scoate toate șuruburile capacului de fund.
3. Deschideți capacul bateriilor, găsiți cablul de conexiune a bateriilor, scoateți cablul și scoateți bateria.

4. Respectați pașii de demontare, instalați la loc bateria și montați piesele de alimentare. Notă: (1) dacă în garnitura inelară există impurități garnitura trebuie curățată și reinstalată în canalul pentru aceasta. (2) Atenție la sensul de montaj. Cele șase găuri pentru șuruburi trebuie aliniat pentru ca șuruburile să fie blocate.

**Notă:** Înveliți imediat conectorul cu bandă izolatoare pentru a evita scurt-circuitele provocate de contactul dintre două borne de cablu.



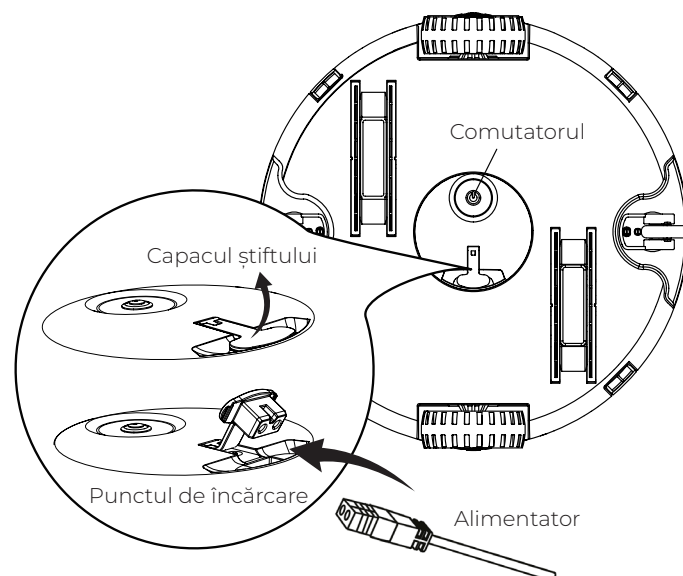
## DEPANARE

Dacă aveți probleme cu agentul de curățare, urmați pașii de depanare de mai jos pentru a restabili performanța.

**Notă:** opriți alimentarea înainte de a efectua reparații.

PROBLEMĂ	CAUZE POSIBILE	SOLUȚIE
Robotul nu prinde molozul.	Bateria este descărcată.	Vă rugăm să reîncărcați.
	Înfundarea rotorului	Opriti curățătorul și verificați rotorul pentru a îndepărta gunoiul. Dacă este necesar, contactați distribuitorul pentru instrucțiuni suplimentare. Avertizare! Înainte de a întreține echipamentul, asigurați-vă că dispozitivul de curățare este oprit.
	Elicea este avariata.	Vă rugăm să contactați distribuitorul pentru înlocuire.
	Cutia pentru mănuși este plină.	Curățați gunoiul de pe ecranul filtrului.
Robotul se oprește din mers în mijlocul piscinei (capul rotativ continuă să se miște).	Robotul a fost oprit de un obstacol.	Verificați dacă filtrul este înfundat. Îndepărtați obstacolele.
	Robotul este blocat de aspirația sifonului principal al piscinei.	Dezactivați sistemul de filtrare (consultați manualul de instrucțiuni).
	Pardoseala nu este complet plană	Aveți nevoie de mai multe minute înainte de a porni din nou sau neteziți podeaua sau tăiați banda inferioară a periei. Contactați dealerul pentru piese de schimb.
Robotul nu poate acoperi întreaga piscină/nu se poate mișca de-a lungul pereților piscinei.	Cutia pentru mănuși este plină.	Curățați compartimentul filtrului și capacul filtrului.
	Timpul de lucru a fost mai scurt decât se aștepta.	Curățați camera de filtrare și încărcați bateria robotului timp de 4 până la 5 ore.
	Circulația apei generată de sistemul de filtrare întrerupe mișcarea.	Dezactivați sistemul de filtrare (consultați manualul de instrucțiuni).
	Roata s-a înțepenit.	Verificați dacă există resturi pe roți și, dacă este cazul, îndepărtați-le.
Robotul se mișcă încet.	Cutia pentru mănuși este plină.	Curățați deșeurile filtrului și elementului filtrant.
Capul rotativ nu se rotește sau o face mult prea încet.	Partea de jos a pivotului s-a înțepenit.	Compartimentul este plin. Verificați dacă sub capul rotativ există resturi și îndepărtați-le dacă este necesar. Acesta poate fi rotit manual și clătit cu apă până când se mișcă fără probleme.
	Cutia pentru mănuși este plină.	Curățați deșeurile filtrului și elementului filtrant.

PROBLEMĂ	CAUZE POSIBILE	SOLUȚIE
Molozul scăpat din robot.	Ventilul duzei de aspirație (la partea de jos a robotului) este defect.	Amortizorul de la cupa de aspirație acționează ca o ușă care nu lasă gunoiul să iasă din camera de gunoi. Luați legătura cu dealerul pentru înlocuirea pieselor și pentru instrucțiuni.
Molozul ajunge în exteriorul capacului filtrului.	Capacul filtrului este avariât.	Înlocuiți capacul filtrului cu unul nou. Luați legătura cu dealerul pentru piesele de schimb.
Dacă la alimentator lumina roșie stă aprinsă în permanență ea nu poate trece la lumina verde mai mult de 8h.	Bateria este avariată.	Luai legătura cu dealerul pentru înlocuirea bateriei. Avertisment! Nu porniți robotul și nu schimbați dumneavoastră bateria. Acest lucru poate provoca accidente grave sau fatale și poate anula garanția.
Dacă alimentatorul trece pe culoarea verde într-un timp foarte scurt iar aparatul lucrează și el un timp scurt (mai puțin de o jumătate de oră, este nevoie de validări multiple).		
Dacă produsul începe să se încarce după ce lucrul s-a terminat, dacă lumina alimentatorului rămâne verde în permanență. (Verificați starea cablului alimentatorului, dacă este bine și complet conectat la adaptorul extern și la robot).	Alimentatorul este avariât.	Pentru înlocuire luați legătura cu dealerul. Avertisment! Utilizarea unui adaptor greșit va duce la avarierea robotului / bateriei și va anula garanția.
Dacă lumina alimentatorului nu se mai aprinde.		
Întreprătorul nu funcționează sau nu funcționează.*	Există gunoaie în jurul senzorului sau a senzorului de oxidare.	Curățați senzorul cu o hârtie, o cârpă sau o perie, ca în poze; sau vedeți un videoclip online.



**CONDIȚII GENERALE**

- În conformitate cu aceste prevederi, vânzătorul garantează că produsul corespunzător acestei garanții („Produsul”) este în stare perfectă la momentul livrării.
- Termenul de garanție pentru produs este de doi (2) ani de la data livrării către cumpărător.
- În cazul apariției oricărui defect al Produsului care este notificat de către cumpărător vânzătorului pe parcursul Termenului de garanție, vânzătorul va fi obligat să repare sau să înlocuiască Produsul, pe cheltuielile sale și oriunde consideră adecvat, cu excepția cazului în care acest lucru este imposibil sau nerezonabil.
- Dacă nu este posibil să se repare sau să se înlocuiască produsul, cumpărătorul poate solicita o reducere proporțională a prețului sau, dacă defectul este suficient de semnificativ, rezilierea contractului de vânzare.
- Piesele înlocuite sau reparate conform acestei garanții nu vor prelungi perioada de garanție a produsului original, dar vor avea o garanție separată.
- Pentru ca această garanție să intre în vigoare, cumpărătorul trebuie să furnizeze dovada datei de cumpărare și livrare a Produsului.
- Dacă după șase luni de la livrarea Produsului la cumpărare; el notifică un defect al Produsului, cumpărătorul trebuie să furnizeze dovada originii și existenței defectului pretins.
- Acest certificat de garanție este emis fără a aduce atingere drepturilor corespunzătoare consumatorilor în conformitate cu reglementările naționale.

**CONDIȚII INDIVIDUALE**

- Această garanție acoperă produsele menționate în acest manual.
- Acest certificat de garanție se va aplica numai în țările Uniunii Europene.
- 2.3 Pentru ca această garanție să fie eficientă, cumpărătorul trebuie să urmeze cu strictețe instrucțiunile producătorului incluse în documentația furnizată împreună cu produsul, în cazurile în care este aplicabilă în funcție de gama și modelul produsului.
- Când este specificat un program de timp pentru înlocuirea, întreținerea sau curățarea anumitor piese sau componente ale Produsului, garanția va fi valabilă numai dacă acest program de timp a fost respectat.

**LIMITĂRI**

- Această garanție se va aplica numai vânzărilor efectuate către consumatori, înțelegând de către „consumator”, o persoană care achiziționează Produsul în scopuri care nu au legătură cu activitățile sale profesionale.
- Uzura normală rezultată din utilizarea produsului nu este garantată. În ceea ce privește piesele, componentele și / sau materialele consumabile sau consumabile, cum ar fi bateriile, becurile etc., se vor aplica prevederile din documentația furnizată împreună cu produsul.
- Garanția nu acoperă acele cazuri în care Produsul; (I) a fost tratat incorect; (II) a fost reparat, reparat sau manipulat de persoane neautorizate sau (III) a fost reparat sau reparat fără a utiliza piese originale. În cazurile în care defectul Produsului este rezultatul unei instalări sau porniri incorecte, această garanție se va aplica numai atunci când respectiva instalare sau pornire este inclusă în contractul de vânzare a Produsului și a fost efectuată de vânzător sau în temeiul acestuia responsabilitate.

**CONTAINER DE DEȘURI TĂIAT**

- Pentru a reduce cantitatea de deșuri de aparate electrice și electronice, pentru a reduce pericolul componentelor, pentru a încuraja reutilizarea aparatelor, pentru a evalua deșeurile și pentru a crea un sistem adecvat de tratare a în scopul îmbunătățirii eficienței protecției mediului, a fost stabilit un set de reguli aplicabile la fabricarea produsului și alte reguli privind tratamentul corect al mediului atunci când aceste produse devin deșuri.
- Se intenționează, de asemenea, să îmbunătățească practicile de mediu ale tuturor agenților implicați în produsele electrice și electronice, inclusiv producătorii, distribuitorii, utilizatorii și în special cei implicați direct în tratarea deșeurilor derivate din aceste aparate.
- Începând cu 13 august 2005, există două modalități de eliminare a acestui aparat:
- Dacă achiziționați un nou aparat echivalent sau care are aceleași funcții ca cel pe care doriți să îl dispuneți, îl puteți preda, gratuit, către distribuitor la efectuarea achiziției sau · Puteți să-l duceți la punctele locale de colectare.
- Vom acoperi costurile de tratare a deșeurilor.
- Aparatul este etichetat cu simbolul „containerului de deșuri tăiat”. Acest simbol înseamnă că aparatul este supus colectării deșeurilor selectate, diferită de colectarea generală a deșeurilor.
- Produsele noastre sunt proiectate și fabricate cu materiale și componente ecologice de înaltă calitate, care pot fi refolosite și reciclate. Cu toate acestea, mai multe părți ale acestui produs nu sunt biodegradabile și, prin urmare, nu trebuie lăsate în mediu. Pentru reciclarea corectă a acestui produs, detașați complet motorul electric de restul echipamentului de filtrare.

## SÄKERHETSVARNING

När denna elektriska utrustning installeras bör man alltid följa de grundläggande säkerhetsåtgärderna. Var god läs det följande noggrant.

### **VARNING**

Rengöraren är inte en leksak och ska användas av personer som är äldre än 8 år.

Alla personer som använder rengöraren måste läsa igenom bruksanvisningen noggrant innan de arbetar.

1. Apparaten kan användas av barn som är 8 år eller äldre och av personer med nedsatt sensorisk eller mental förmåga eller brist på erfarenhet och kunskap om de har fått handledning eller instruktioner om hur apparaten ska användas på ett säkert sätt och om de förstår de risker som är förknippade med användningen.
2. Barn bör inte leka med apparaten
3. Rengöring och underhåll som ska utföras av användaren får inte utföras av barn. Rengöraren är avsedd för rengöring av pooler.
4. Använd originalbatterier och laddare när du använder roboten. Ladda den endast när roboten är avstängd.
5. Placera rengöraren på ett rent och torrt ställe. Utsätt den inte för solen eller nära explosiva risker.
6. Stäng inte sughuvudet när det fungerar, på grund av dess sugkraft, särskilt för människokroppen, djur, hår eller kläder.
7. Demontera inte rengöraren utan professionell vägledning eller meddelande från auktoriserad distributör eller tillverkare.
8. Läck inte smörjoljan, det orsakar vattenförorening.
9. Sluta arbeta med rengöraren när det är något fel; Kontakta den auktoriserade återförsäljaren eller byt ut den till originaldelarna/tillbehören.
10. Rengöraren, arbetsförhållanden:
  - 11.1 Maximalt tillämpligt vattendjup: 40 - 300cm.
  - 11.2 Vattentemperatur: 4°C ( 39.2°F )-35°C ( 95°F )

### **1. USB-sladd**

1. Endast en utgångsspänning på 5 V är tillåten för laddare inklusive USB-anslutning.
2. Endast för inomhusbruk. Laddaren ska inte användas utomhus och inte utsättas för regn, fukt, vätska eller värme.
3. Förvara laddaren bort från barn.
4. Använd aldrig laddaren om någon skada upptäcks.
5. Hantera inte rengöraren och laddaren med våta händer och bara fötter när du laddar rengöraren.
6. Koppla bort laddaren från strömmen när den inte används.
7. Om USB-sladden är skadad måste den ersättas med en ny laddare för att undvika fara.
8. Se till att rengöraren, USB-kabeln och laddaren är helt torra innan du laddar.
9. Ladda rengöraren 5 timmar innan den används första gången. Normalt kan rengöraren användas i cirka 30 minuter efter full laddning.

### **2. Kassering av batterier**

1. Rengöraren batteri är ett litiumbatteri, det måste kasseras på rätt sätt. Kontakta din lokala myndighet för mer information.
2. Försök aldrig ta isär litiumbatteriet.
3. Ta bort alla personliga saker som ringar, armband, halsband och klockor när du kopplar loss ett litiumbatteri från vakuumenheten.
4. Batteriet orsakar kortslutningsström, liksom allvarlig förbränning när det är tillräckligt högt.
5. Använd komplett ögonskydd, handskar och skyddskläder när du tar bort batteriet.
6. Ingen rökning eller gnistrande eld i närheten av rengöraren, det kan orsaka okända gaser.
7. Om syra kommer i kontakt med hud och kläder, tvätta genast med mycket tvål och vatten.
8. Om syra kommer i kontakt med ögonen, skölj ögonen omedelbart med rinnande kallt vatten under minst 15 minuter. Sök genast läkare.

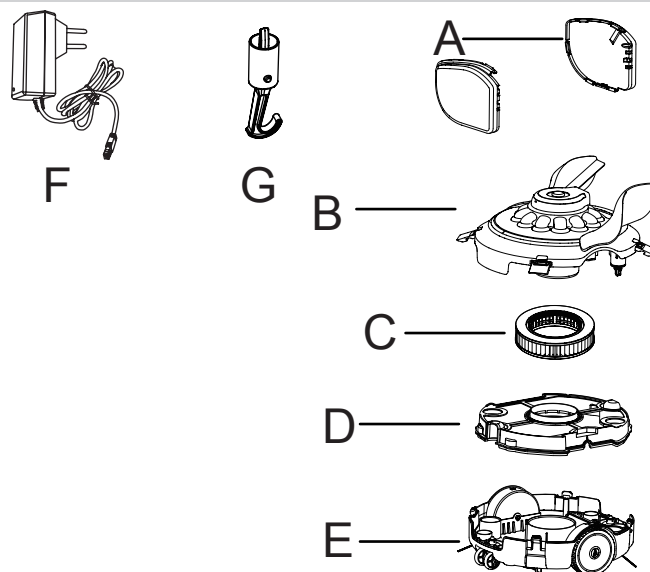
**Ovanstående varningar och försiktighetsåtgärder är inte avsedda att inkludera alla möjliga fall för risker och / eller allvarliga skador.** Pool- / spaägare bör alltid vara noggranna med försiktighet och sunt förnuft när de använder rengöraren.



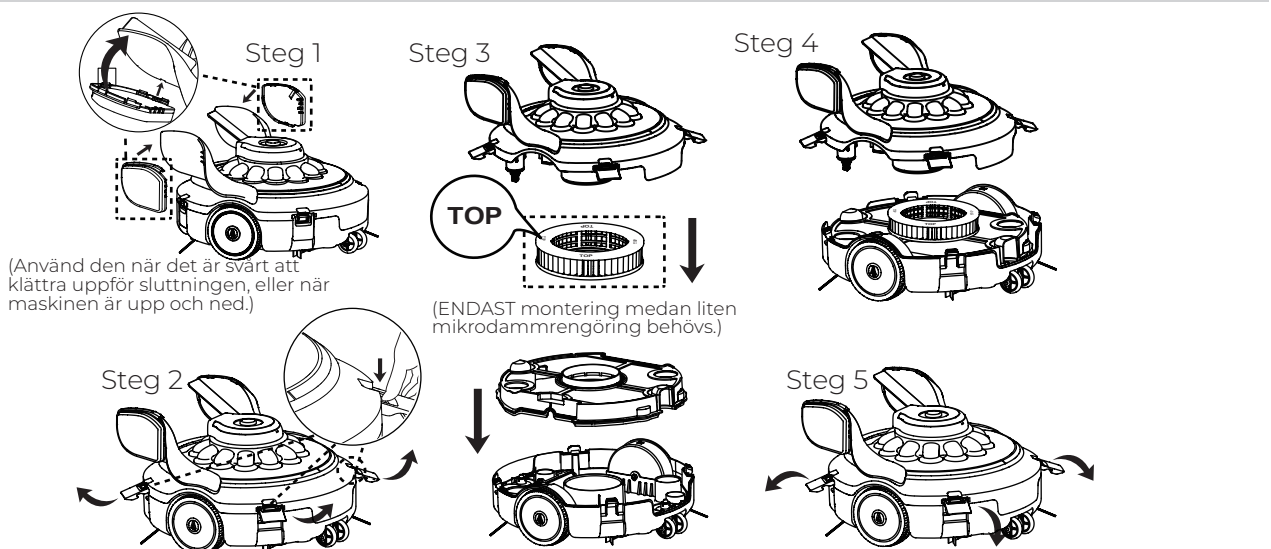
## MONTAJE

- A: Flottör  
 B: Övre täckning  
 C: Patronfilter (Montering och rengöring för små mikrodamm ENDAST)  
 D: Filter  
 E: Bottenbas  
 F: Laddare  
 G: Krok

Jethuvudet är placerat på övre däck. Vatten strömmar från botten till huvudet för att föra roboten framåt. När den stöter på ett hinder roterar huvudet 180°, vilket gör att roboten undviker hindret och rör sig längs en annan linje. Bottenfiltret samlar in och lagrar avfallet i en behållare.



## MONTERING OCH DRIFT



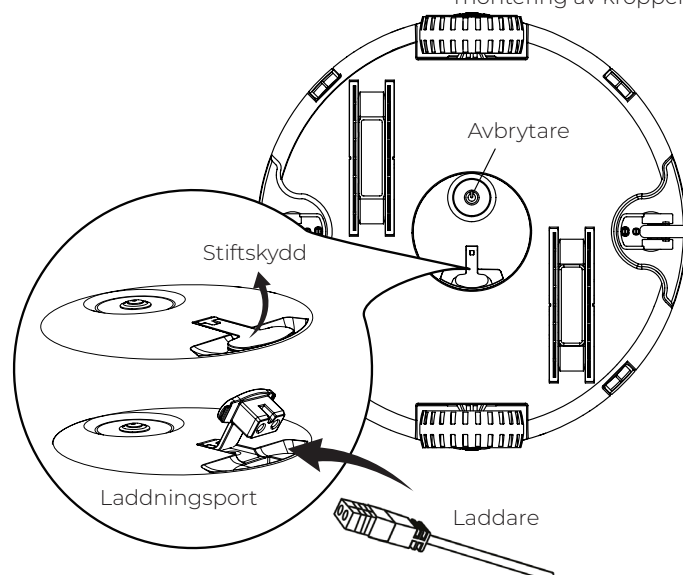
Bottenskyddskroppen för montering av kroppen

### Laddningsvarning:

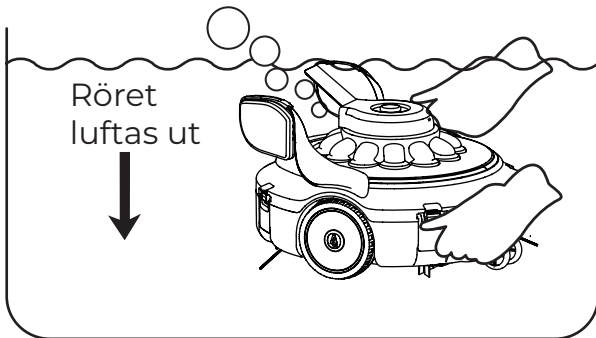
- Använd endast den externa originaladaptorn och den medföljande laddningskabeln..
  - Se till att roboten och laddningsportarna är rena och torra innan du installerar dem.
  - Ladda roboten innan du använder den för första gången (ca 8 timmar).
- Ta bort stiftskyddet innan du laddar.
  - Sätt in laddaren i laddningsporten och starta sedan för att ladda.

**Obs!:** När roboten börjar laddas blir indikatorlampan på den externa adaptorn röd. När roboten är fulladdad blir indikatorlampan grön.

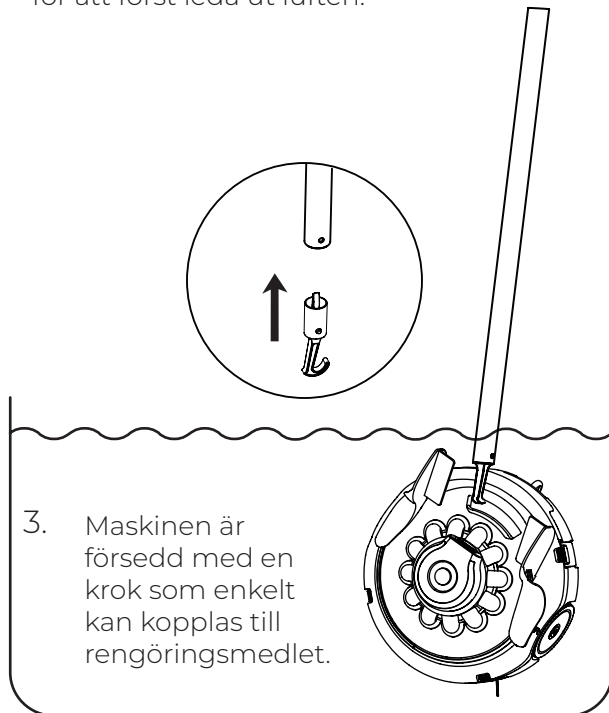
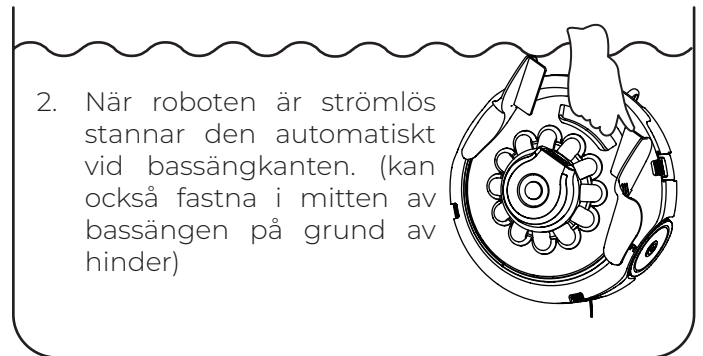
- Efter laddning, sätt tillbaka stiftskyddet i laddningsporten och se till att stiftskyddet är helt förseglat innan du går in i vattnet.



## STRÖM PÅ



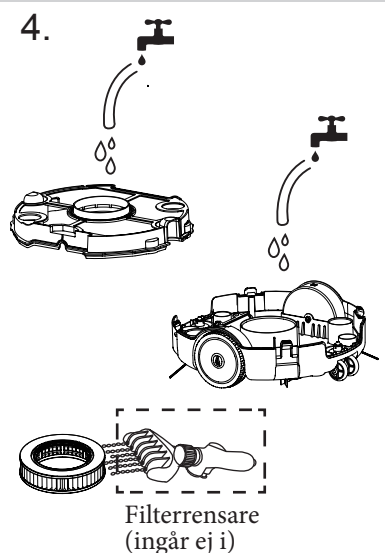
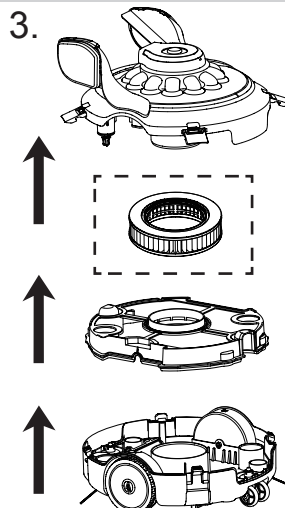
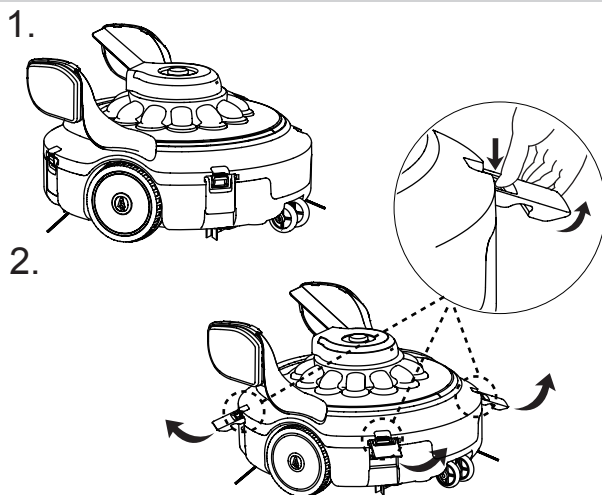
1. Slå på strömbrytaren, indikatorn tänds, placera roboten horisontellt i bassängen och vänta tills roboten sjunker fritt ner till bassängbotten, det tar cirka 20-30 sekunder för att först leda ut luften.



### Not:

1. Det rekommenderas att stänga av filtreringssystemet eftersom vattencirkulationen i poolen kan påverka robotens rörelseläge.
2. Alla hinder i poolen påverkar robotens krypande och rengörande spår, t.ex. stegar.
3. Om du använder en saltlakebehållare ska du se till att allt salt har lösts upp innan du sätter roboten i vattnet.

## KASSERING



## UNDERHÅLL OCH FÖRVARING

1. Batteriet urladdas under förvaring. Se till att roboten är fullt laddad innan förvaring.
2. När du inte använder den måste du ladda batteriet minst var tredje månad.

· Koppla bort den externa adaptern från uttaget och sedan laddningskabeln från den externa adaptern och roboten.

· Ta bort tillbehören från roboten. Skölj om nödvändigt roboten och tillbehören med rent vatten. Använd inte tvättmedel.

· Se till att roboten är tömd innan förvaring.  
· Använd en våt trasa för att rengöra och torka roboten och dess tillbehör.

· Förvara på en väl ventilerad plats bort från solljus, värme, brandkällor, poolkemikalier och barn.

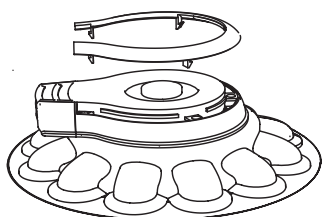
· Förvaringstemperaturen bör vara 10 ° C - 25 ° C (50 ° F - 77 ° F)

**Obs:** högre temperatur kan förkorta batteriets livslängd.

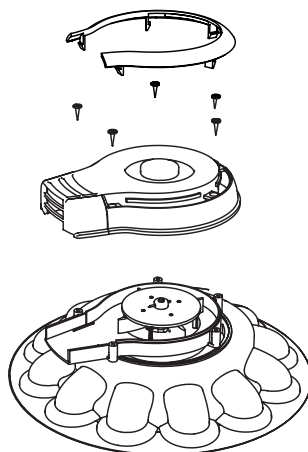
### Underhåll och byte av pumphjul:

Rekommenderat verktyg (ingår inte): skruvmejsel

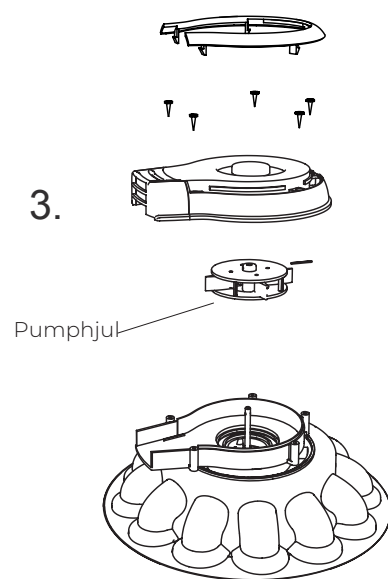
1.



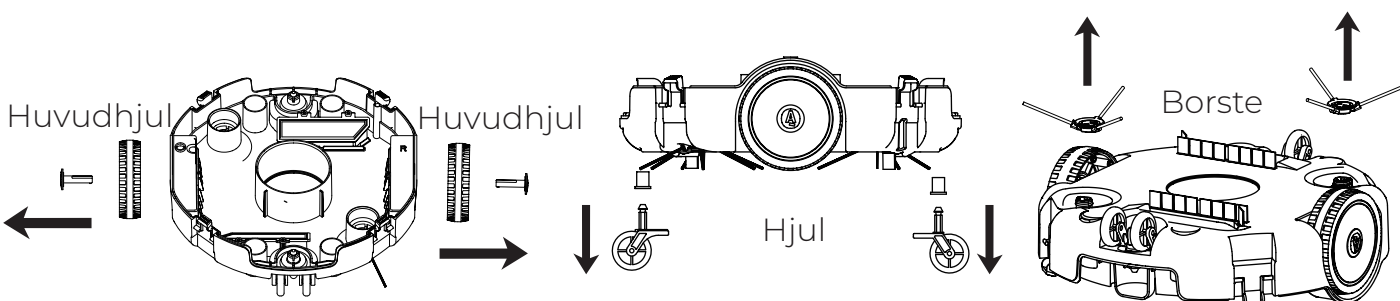
2.



3.



### Underhåll och utbyte av hjul:



**Observera:** huvudhjulet på den här sidan har magneter. Kontakta återförsäljaren för utbyte eller underhåll.

## MONTERING OCH BYTE AV BATTERIER

### ! VARNING



Behandla inte elektriska apparater som oklassificerat kommunalt avfall, utan använd separata insamlingsanläggningar. För information om tillgängliga insamlingsystem, kontakta din lokala myndighet.

- Ta inte bort litiumbatteriet utan tillstånd.
- När du tar bort litiumbatteriet från sugapparaten, ta bort ringen, armband och klocka.
- Den kortslutningsström som genereras av ett batteri är tillräcklig för att absorbera ringen (eller liknande föremål) och orsaka allvarliga brännskador.
- Innan du tar bort batteripaketet ska du bära ögonskydd, handskar och skyddskläder.
- Var försiktig så att du inte rör vid kabeln eller någon metall-del, annars uppstår gnistor eller kortslutning.
- Rök, gnista eller flamma inte i närheten av rengöringsmaskinen, för då antänds batteriet och det bildas gas.

- Undvik att utsätta batteriet för eld eller hög temperatur, annars kan det orsaka explosion.

#### Not!

Om batteriet läcker, undvik kontakt med det skadade batteriet och lägg det i en plastpåse. Om hud eller kläder kommer i kontakt med syran, tvätta omedelbart med mycket tvål och vatten. Om ögonen kommer i kontakt med syran ska du skölja ögonen med vatten i minst 15 minuter och skicka dem till en läkare för behandling.

### Batteribyte:



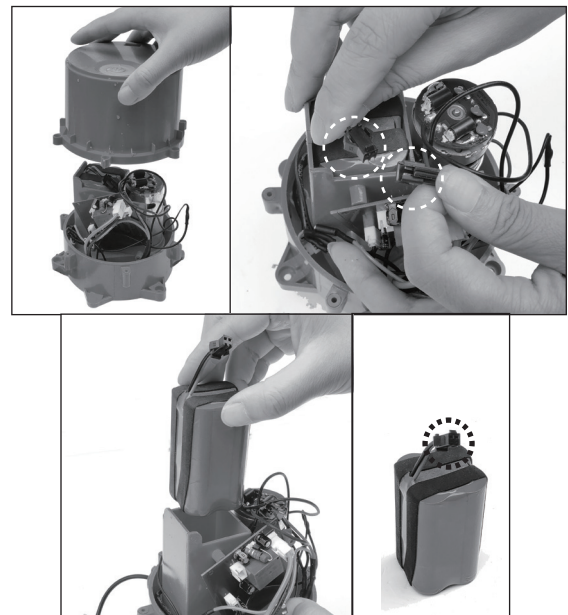
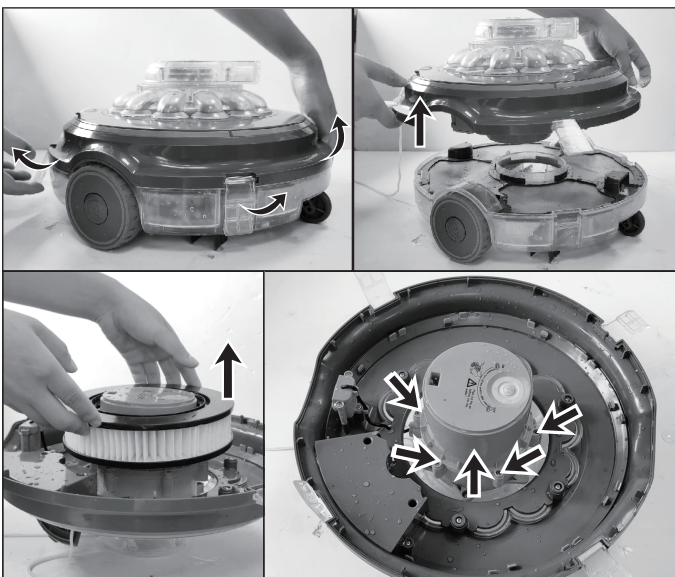
**Obs!:** Användaren måste rådgöra med återförsäljaren innan batteribyte.

1. Dra ut de fyra clipsen i den övre luckans kärndel utåt och separera den från den nedre luckans kropp, ta ut Micro patricles-filter.
2. Använd en skruvmejsel för att ta bort alla skruvar på strömskyddet i bottenkyddet.
3. Öppna batteriluckan, leta upp batteriförbindelsen, tryck på clipet på kontakten, dra ut den och ta ut batteriet.

4. Installera batteriet på nytt och montera laddningsdelarna i enlighet med demonteringsstegen. Not: (1) Om det finns föroreningar i tätningeringen, rengör den och sätt tillbaka den i tätningens spår. (2) Var uppmärksam på monteringsriktningen. De sex skruvhålen måste vara i linje för att skruvarna ska kunna låsas.



**Obs:** Omslut kontakten med isolerande tejp omedelbart för att undvika kortslutning som orsakas av kontakt mellan två trådterminaler.

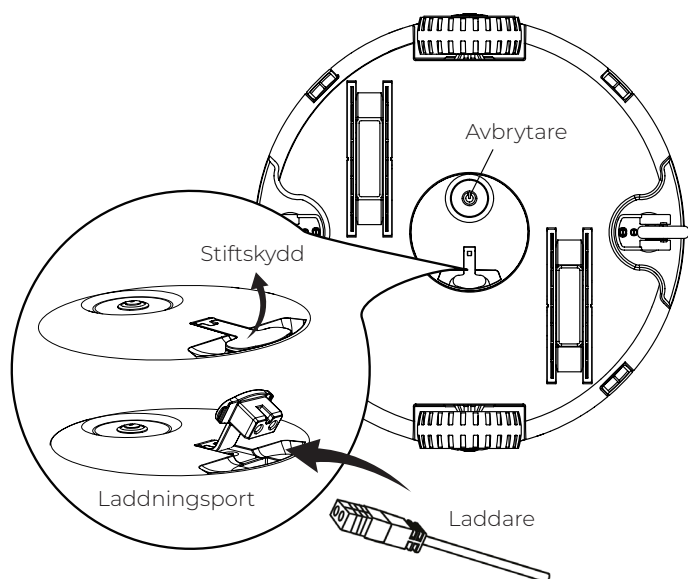


## FELSÖKNING

Om du har problem med din rengörare, följ felsökningsstegen nedan för att återställa prestandan.  
**Obs!** Stäng av strömmen innan du gör några reparationer.

PROBLEM	MÖJLIGA ORSAKER	LÖSNING
Robotar fångar inte upp skräp.	Batteriet är lågt.	Var god ladda
	Pumphjulet är täppt	Stäng rengöraren och kontrollera pumphjulet för att ta bort skräpet. Om det behövs, kontakta din återförsäljare för ytterligare instruktioner. Varning! Se till att rengöraren är avstängd innan service utförs.
	Hjulet är skadat.	Kontakta din återförsäljare för utbyte.
	Handskfacket är fullt.	Rengör skräpet från filterskärmen.
Roboten slutar att röra sig mitt i bassängen (det roterande huvudet fortsätter att rotera).	Roboten stopades av ett hinder.	Kontrollera om rensaren är igensatt. Ta bort hinder.
	Roboten är blockerad av suget från huvudavloppet i bassänggolvet.	Inaktivera filtreringssystemet (se bruksanvisningen).
	Marken är inte helt platt	Behöver du fler minuter innan du går vidare eller slätar golvet eller trimmar den nedre borstremsan. Kontakta din återförsäljare för reservdelar.
Roboten kan inte täcka hela bassängen eller röra sig längs bassängens vägg.	Handskfacket är fullt.	Rengör skräpet från filterskärmen och filterelementet.
	Operationstiden var kortare än väntat.	Rengör filterkammaren och ladda robotbatteriet i 4-5 timmar.
	Vattencirkulationen som genereras av filtreringssystemet avbryter rörelseriktningen.	Inaktivera filtreringssystemet (se bruksanvisningen).
	Hjulet har fastnat.	Kontrollera om hjulen innehåller skräp och ta bort det om så är fallet.
Roboten rör sig långsamt.	Handskfacket är fullt.	Rengör skräpet från filterskärmen och filterelementet.
Vridhuvudet roterar inte eller roterar uppenbart långsamt.	Botten av svängaren har fastnat.	Facket är fullt. Kontrollera om det finns skräp under det roterande huvudet och ta bort det vid behov. Den kan vridas för hand och sköljas med vatten tills den rör sig smidigt.
	Handskfacket är fullt.	Rengör skräpet från filterskärmen och filterelementet.

PROBLEM	MÖJLIGA ORSAKER	LÖSNING
Skräpet undgick från roboten.	Ventilen på sugmunstycket (längst ner på sugaren) är trasig.	Avskärmningen vid sugkoppen är som en dörr som hindrar skräp från att komma ut ur skräpkammaren. Kontakta din återförsäljare för reservdelar och instruktioner.
Det kommer in skräp på utsidan av filterlocket.	Filterlocket är skadat.	Byt ut filterlocket mot ett nytt. Kontakta din återförsäljare för reservdelar.
Om laddarens indikatorlampa är röd hela tiden och inte kan övergå till grönt under mer än 8 timmar.	Batteriskador.	Kontakta återförsäljaren för att byta ut batteriet. Varning! Slå inte på roboten och byt inte ut batteriet själv. Detta kan orsaka allvarlig eller dödlig skada, vilket innebär att garantin inte är giltig.
Om laddaren ändrar till grönt ljus på mycket kort tid och enheten också bara fungerar under en kort tid (inom en halvtimme, behöver flera valideringar).		
När produkten börjar laddas efter att arbetet har avslutats, om laddaren visar grönt ljus hela tiden. (Kontrollera att laddningskabeln är korrekt och helt ansluten till den externa adaptern och roboten).	Laddaren är skadad.	Kontakta återförsäljaren för utbyte. Varning! Användning av fel extern adapter leder till skador på roboten/batteriet och upphäver garantin.
Om lampan för laddaren inte längre lyser.		
Strömbrytaren fungerar inte eller är ur funktion.*	Det finns skräp runt generatormotorn eller oxidationen i sensorn.	Rengör sensorn med ett papper, en trasa eller en borste, enligt bilderna, eller se video på nätet.



**YouTube**



### ALLMÄNNA VILLKOR

- I enlighet med dessa bestämmelser garanterar säljaren att GRE-produkten som motsvarar denna garanti ("produkten") är i perfekt skick vid leveransen.
- Garantitiden för produkten är två (2) år från det att den levereras till köparen.
- I händelse av fel i produkten som av köparen meddelats till säljaren under garantitiden, kommer säljaren att vara skyldig att reparera eller byta ut produkten på egen kostnad och varhelst han anser lämplig, såvida detta inte är omöjligt eller orimligt.
- Om det inte är möjligt att reparera eller byta ut produkten kan köparen begära en proportionell sänkning av priset eller, om felet är tillräckligt betydande, uppsägning av försäljningsavtalet.
- De delar som byts ut eller repareras under denna garanti förlänger inte garantiperioden för den ursprungliga produkten utan kommer att ha en separat garanti.
- Om köparen efter sex månader efter leveransen av produkten, meddelar en fel i produkten, måste köparen tillhandahålla bevis på ursprunget och förekomsten av den påstådda bristen.
- Detta garantibevis utfärdas utan att det påverkar de rättigheter som motsvarar konsumenterna enligt nationella bestämmelser

### INDIVIDUELLA VILLKOR

- Denna garanti täcker de produkter som avses i denna handbok.
- Detta garantibevis kommer endast att tillämpas i EU:s länder.
- För att denna garanti ska vara giltig. Köparen måste strikt följa tillverkarens anvisningar som ingår i dokumentationen med produkten, i fall där det är tillämpligt enligt produktens sortiment och modell.
- När ett tidsschema anges för utbyte, underhåll eller rengöring av vissa delar eller komponenter i produkten, är garantin endast giltig om detta tidsschema har följts.

### BEGRÄNSNINGAR

- Denna garanti kommer endast att gälla för försäljning som görs till konsumenter, dvs. en "konsument" är en person som köper produkten för ändamål som inte är relaterade till hans yrkesverksamhet.
- Noimolslitaget som uppstår vid användning av produkten täcks inte av garantin. När det gäller förbrukningsartiklar, komponenter/eller material, t.ex. batterier, glödlampor, etc. gäller bestämmelserna i dokumentationen som medföljer produkten.
- Garantin täcker inte dessa fall när produkten; (I) har hanterats felaktigt; (II) har reparerats, underhållits eller hanterats av icke-auktoriserade personer eller (III) har reparerats eller servats utan att använda originaldelar.
- I de fall då produktens defekt är ett resultat av felaktig installation eller idrifttagning kommer denna garanti endast att gälla när nämnda installation eller uppstart ingår i produktens försäljningsavtal och har utförts av säljaren eller under dennes ansvar.

## ÖVERKORSAD SOPTUNNA

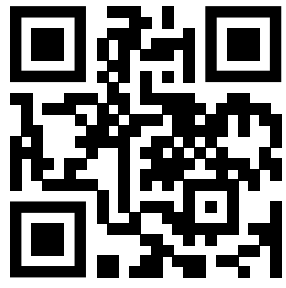


- För att minska mängden avfall från elektriska och elektroniska apparater, för att minska risken för komponenterna, för att främja återanvändning av apparater, att källsortera avfall och sätta upp ett lämpligt avfallsbehandlingssystem, i syfte att förbättra effektiviteten av miljöskydd har en uppsättning regler framtagits.
- Den är också avsedd att förbättra miljöpraxisen för alla aktörer som är involverade med elektriska och elektroniska varor, inklusive tillverkare, distributörer, användare och särskilt de bestämmelser som är involverade i behandling av avfall som härrör från dessa apparater.
- Från och med den 13 augusti 2005 finns det två sätt att bortskaffa denna apparat på:
- Om du köper en ny ekvivalent apparat eller en som har samma funktioner som den du vill kassera, kan du överlämna den gamla kostnadsfritt till distributören när du köper en ny eller
- Du kan ta med den till lokala insamlingsställen.
- Vi ska täcka över avfallshanteringsenheterna.
- Apparaten är märkta med en symbol för en "överkorsad soptunna". \* Denna symbol innebär att apparaten är föremål för källsortering som skiljer sig från allmän avfallshantering.
- Våra produkter är konstruerade och tillverkade av miljövänliga material och komponenter av högsta kvalitet, som kan återanvändas och återvinnas. Trots detta är flera delar i denna produkt inte biologiskt nedbrytbara och därför bör de inte lämnas ute i miljön. För korrekt återvinning av denna produkt, vänligen ta bort den elektriska motorn från resten av filteringsutrustningen.

If You Have Any Problem, Contact Us!	England	www.grepool.com/en/after-sales
Si Tienes Algun Problema, ¡Consultenos!	España	www.grepool.com/post-venta
En Cas De Probleme, Nous Consulter!	France/ Belgie	www.grepool.com/fr/apres-vente
Sollten Sie Probleme Haben, Zögern Sie Bitte Nicht, Uns Zu Kontaktieren!	Deutschland	www.grepool.com/de/kundenservice
Per Ogni Vostra Eventuale Occorrenza, Interpellateci!	Italia	www.grepool.com/it/post-vendita
Em Caso De Problema, ¡Consultar-Nos!	Portugal	www.grepool.com/pt/pos-venda
Mocht U Een Probleem Hebben, ... ¡Raadpleeg Ons!	Nederlands	www.grepool.com/nl/na-verkoop
W razie problemów, skontaktuj się z nami	Poland	www.grepool.com/en/after-sales
V případě jakéhokoliv problému nás kontaktujte!	Czechia	www.grepool.com/en/after-sales
Ak máte akýkoľvek problém, kontaktujte nás!	Slovakia	www.grepool.com/en/after-sales
Dacă ați orice problemă, contactați-ne!	Romania	www.grepool.com/en/after-sales
Om du har några problem, kontakta oss!	Sweden	www.grepool.com/en/after-sales

DISTRIBUTED BY / DISTRIBUIDO POR / DISTRIBUÉ PAR / VER-  
TRIEB DURCH / DISTRIBUITO DA / GEDISTRIBUEERD DOOR /  
DISTRIBUÍDO POR  
/ DYSTRYBUOWANE PRZEZ / DISTRIBUERAS AV:  
**MANUFACTURAS GRE, S.A.**  
**ARITZ BIDEA Nº 57 BELAKO INDUSTRIALDEA, APARTADO 69**  
**48100 MUNGUIA (VIZCAYA) ESPAÑA**  
**Nº Reg. Ind. 48-06762**

- We reserve the right to change all or part of the articles or contents of this document, without prior notice
- Nos reservamos el derecho de cambiar total o parcialmente las características de nuestros artículos o el contenido de este documento sin previo aviso
- Nous nous réservons le droit de modifier totalement ou en partie les caractéristiques de nos articles ou le contenu de ce document sans préavis
- Wir behalten uns das Recht vor, die technischen Daten unserer Artikel oder den Inhalt dieses Dokumentes ohne vorherigen Hinweis ganz oder teilweise zu ändern
- Ci riserviamo il diritto di cambiare totalmente o parzialmente le caratteristiche tecniche dei nostri prodotti ed il contenuto di questo documento senza nessun preavviso
- Wij behouden ons het recht voor geheel of gedeeltelijk de kenmerken van onze artikelen of de inhoud van deze handleiding zonder voorafgaand bericht te wijzigen
- Reservamo-nos o direito de alterar, total ou parcialmente, as características dos nossos artigos ou o conteúdo deste documento sem aviso prévio.
- Zastrzegamy sobie prawo do zmiany w całości lub części niniejszej instrukcji bez uprzedniej informacji
- Vyhradzujeme si právo na změnu součástí nebo prvků výrobku nebo obsahu tohoto dokumentu bez oznámení.
- Vyhradzuje si právo na zmenu všetkých článkov alebo ich častí alebo obsahu tohto dokumentu bez predchádzajúceho upozornenia.
- Ne rezervăm să schimbăm total sau parțial articolele sau conținutul acestui document, fără notificare prealabilă.
- Vi förbehåller oss rätten att ändra hela eller delar av funktionerna i artiklarna eller innehållet i detta dokument utan föregående meddelande.



EVIDENCE OF CONFORMITY  
DECLARACIÓN DE CONFORMIDAD  
DÉCLARATION DE CONFORMITÉ  
EU-KONFORMITÄTSERKLÄRUNG  
DICHIARAZIONE DI CONFOMITÀ  
OVEREENSTEMMIGGSVERK LARING  
DECLARAÇAU DE CONFORMIDADE  
DEKLARACJA ZGODNOŚCI UE  
EVROPSKÉ PROHLÁŠENÍ O SHODĚ  
VYHLÁSENIE O ZHODE EÚ  
DECLARAȚIA DE CONFORMITATE  
EU-FÖRKLARING OM ÖVERENSSTÄMMELSE



DISTRIBUTED BY - DISTRIBUIDO POR - DISTRIBUÉ PAR- VERTRIEB DURCH - DISTRIBUITO DA - GEDISTRIBUEERD DOOR -  
DISTRIBUÍDO POR - WYPRODUKOWANY PRZEZ - DISTRIBUIT DE - DISTRIBUERAD AV - DISTRIBUTER - DISTRIBUTER:

**MANUFACTURAS GRE S.A.**  
**ARITZ BIDEA 57, BELAKO INDUSTRIALDEA**  
**48100 MUNGIA (VIZCAYA) ESPAÑA**  
**Nº REG. IND.: 48-06762**

MADE IN CHINA - FABRICADO EN CHINA - FABRIQUÉ AU CHINE - HERGESTELLT IN CHINA - PRODOTTO IN CHINA -  
GEPRODUCEERD IN CHINA - FABRICADO NA RPC - WYPRODUKOWANO W CHINACH - FABRICAT ÎN CÎNĚ - TILLVERKAD I ČÍNĚ  
- PROIZVEDENO U CHINA - IZDELANO V KITAJSKEM