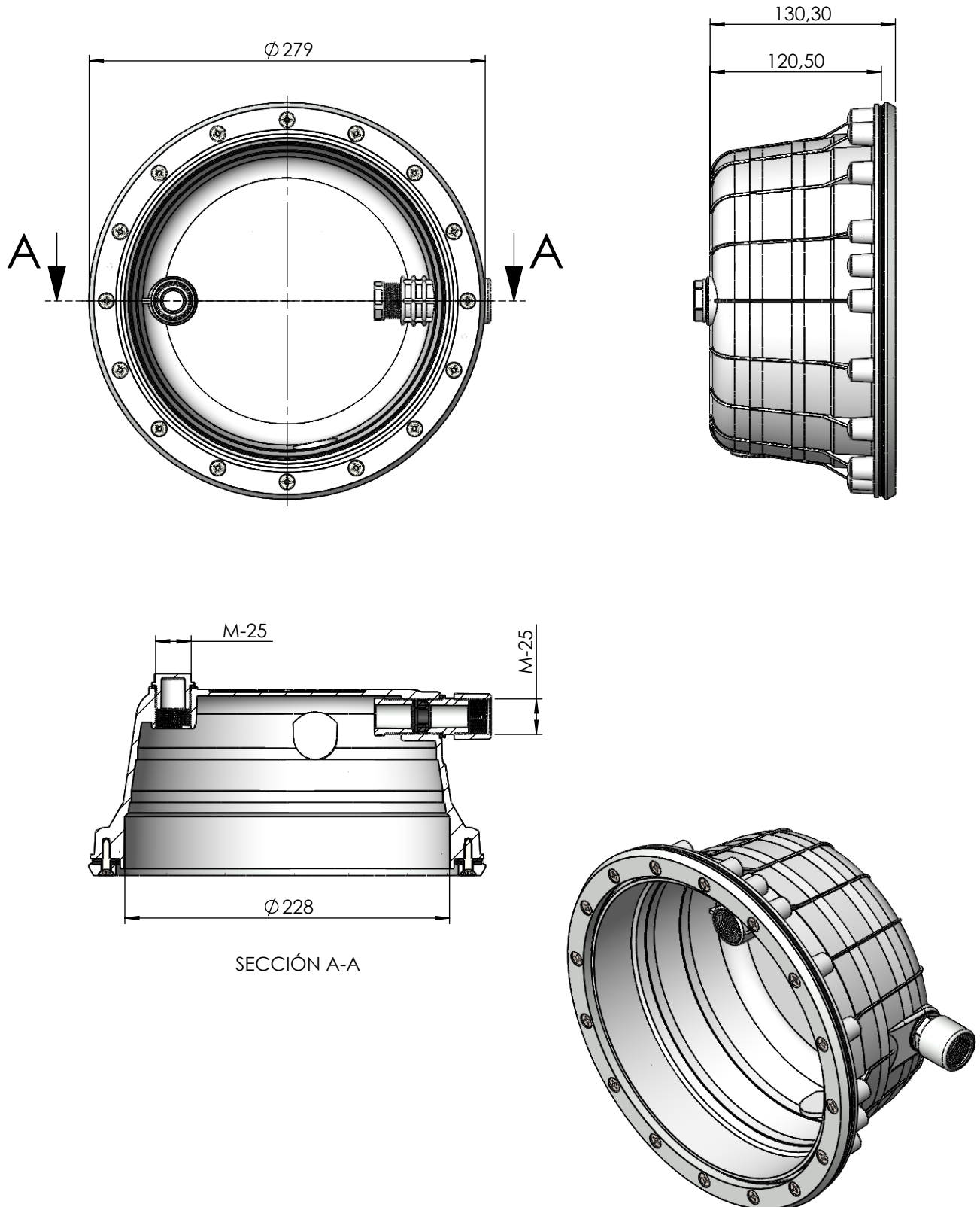


CODIGO / CODE: 28887

DESCRIPCION: CONJ. NICHO PROYECTOR STD P.PREF.

DESCRIPTION: ASSEMB. NICHE FOR STD. LIGHT/ P.P.-SELF-TAPPING SCREWS



Nota: Unidades en mm
Note: Units in mm