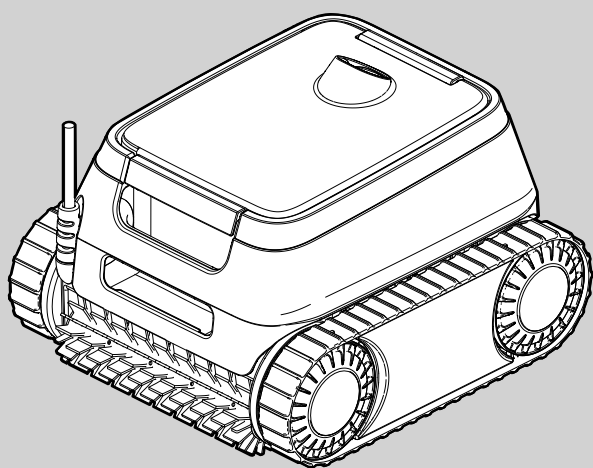


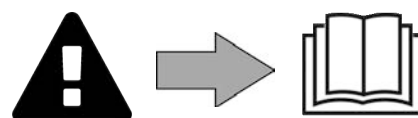
Installation and user manual - English
Electric cleaner
Translation of the original instructions in French

EN



According to the product marking



H0793200_REVA - 08/2022- EN11--



WARNINGS

- Before handling the appliance, it is vital that you read this installation and user manual, as well as the "Warranties" booklet delivered with the appliance. Failure to do so may result in material damage or serious or fatal injury and will void the warranty.
- Keep and pass on these documents for reference during the appliance's service life.
- The distribution or modification of this document in any way is prohibited, without prior authorisation from the manufacturer.
- The manufacturer is constantly developing its products to improve their quality. The information contained herein may therefore be modified without notice.

GENERAL WARNINGS

- Failure to respect the warnings may cause serious damage to the pool equipment or cause serious injury, even death.
- Only a person qualified in the technical fields concerned (electricity, hydraulics or refrigeration) is authorised to carry out maintenance or repair work on the appliance. The qualified technician working on the appliance must use/wear personal protective equipment (such as safety goggles and protective gloves, etc.) in order to reduce the risk of injury occurring when working on the appliance.  
- Before handling the appliance, check that it is switched off and isolated.
- The appliance is intended to be used for pools and spas for a specific purpose; it must not be used for any purpose other than that for which it was designed.
- This appliance is not intended for use by individuals (including children) with impaired physical, sensorial or mental abilities, or persons lacking in knowledge and experience, unless they receive supervision or prior instructions on using the appliance from a person responsible for their safety. Children must be supervised to ensure that they do not play with the appliance.
- This appliance can be used by children under 8 and adults with impaired physical, sensory or mental capabilities, or who lack experience and knowledge, if they are correctly supervised or have been instructed in how to use the appliance safely and understand the hazards involved. User cleaning and maintenance operations must not be carried out by children without supervision.
- The appliance must be installed according to the manufacturer's instructions and in compliance with local and national standards. The installer is responsible for installing the appliance and for compliance with national installation regulations. Under no circumstances may the manufacturer be held liable in the event of failure to comply with applicable local installation standards.
- For any work other than the simple user maintenance described in this manual, the product should be referred to a qualified professional.
- If the appliance suffers a malfunction, do not try to repair it yourself; instead contact a qualified technician.
- Refer to the warranty conditions for details of the permitted water balance values for operating the appliance.
- Deactivating, eliminating or by-passing any of the safety mechanisms integrated into the appliance shall automatically void the warranty, in addition to the use of spare parts manufactured by unauthorised third-party manufacturers.
- Do not spray insecticide or any other chemical (flammable or non-flammable) in the direction of the appliance, as this may damage the body and cause a fire.
- Do not touch the fan or moving parts and do not place objects or your fingers in the vicinity of the moving parts when the appliance is in operation. Moving parts can cause serious injury or even death.
- Do not operate the cleaner or leave outside during freezing weather conditions.

EN

WARNINGS ASSOCIATED WITH ELECTRICAL APPLIANCES

- The power supply to the appliance must be protected by a dedicated 30 mA Residual Current Device (RCD), complying with the standards and regulations in force in the country in which it is installed.
- Do not use any extension lead when connecting the appliance; connect the appliance directly to a suitable power supply.
- Before carrying out any operations, check that:
 - The required input voltage indicated on the appliance information plate corresponds to the mains voltage;
 - The mains supply is compatible with the appliance's electricity needs and is correctly grounded.
- In the event of abnormal operation or the release of odours from the appliance, turn it off immediately, unplug it from its power supply and contact a professional.
- Before servicing or performing maintenance on the appliance, check that it is powered off and completely disconnected from the power supply and that all other equipment or accessories connected to the appliance are also disconnected from the power circuit.
- Do not disconnect and reconnect the appliance to the power supply when in operation.
- Do not pull on the power cord to disconnect it from the power supply.
- If the power cord is damaged, it must be replaced by the manufacturer, an authorised representative or a repair facility only.
- Do not perform maintenance or servicing operations on the appliance with wet hands or if the appliance is wet.
- Before connecting the appliance to the power supply, check that the connection unit or socket to which the appliance will be connected is in good condition and shows no signs of damage or rust.
- In stormy weather, disconnect the appliance from the power supply to prevent it from suffering lightning damage.

SPECIFIC FEATURES APPLICABLE TO "Pool cleaners"

- To avoid possible injury or damage to the cleaner, do not operate the cleaner out of the water.
- In order to prevent possible injury, bathing is prohibited when your cleaner is in the pool.
- Do not use the cleaner during shock chlorination.
- Do not leave the cleaner unattended for an extended period.

WARNING ON THE USE OF A CLEANER IN A POOL WITH A LINER

- Before installing the cleaner, carefully inspect the pool lining. If the liner comes away or is damaged in places, or if stones, folds, roots or corrosion appear, do not install the cleaner before a qualified professional repairs or replaces the liner. The manufacturer may not be held liable in any way for damage caused to the liner.
- The surface of certain patterned liners can wear away quickly: the patterns and/or colours can become deteriorated, faded or disappear on contact with certain objects (cleaning brushes, toys, rubber rings and floats, chlorine dispensers, or cleaners). The cleaner manufacturer may not be held liable for wear to the liners or faded patterns, which are not covered by the limited warranty.

WARNING ON THE USE OF A CLEANER IN A STAINLESS STEEL POOL

- Some stainless steel pools may have very fragile surfaces. The surface of these pools might get damaged by the basic friction of debris against the surface, for example caused by the wheels, tracks or brushes of cleaners, including electrical pool cleaner. The wear or scratching of stainless steel pools are not the liability of the manufacturer of the pool cleaner and are not covered by the limited warranty.



Recycling

This symbol is required by the European directive DEEE 2012/19/EU (directive on waste electrical and electronic equipment) and means that your appliance must not be thrown into a normal bin. It will be selectively collected for the purpose of reuse, recycling or transformation. If it contains any substances that may be harmful to the environment, these will be eliminated or neutralised. Contact your retailer for recycling information.

CONTENTS

1	Information before using the appliance	4
1.1.	Description	4
1.2.	Technical specifications	4
1.3.	Operating principle	5
1.4.	Pool preparation	5
2	General Use	6
2.1.	Immersing the cleaner	6
2.2.	Electricity supply connection	7
2.3.	Starting a cleaning cycle	7
2.4.	Removing the cleaner from the water	8
2.5.	Good practices after each cleaning operation	8
3	Maintenance	9
3.1.	Cleaning the cleaner	9
3.2.	Cleaning the filter	9
3.3.	Cleaning the impeller	10
3.4.	Replacing the brush	11
4	Troubleshooting	12
4.1.	Appliance behaviour	12
4.2.	User alerts	13

EN

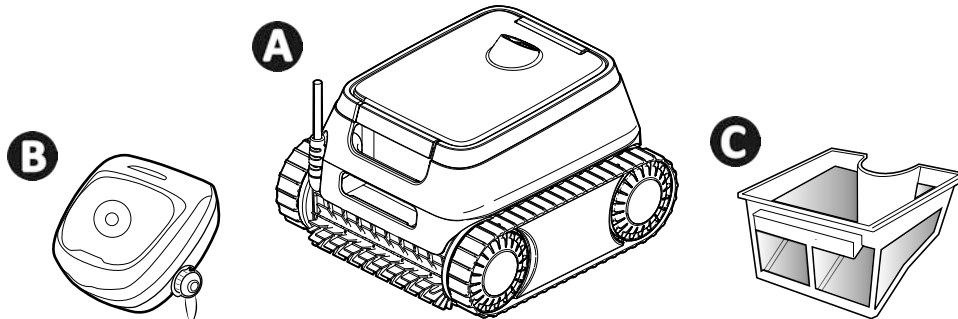


Tip: to make it easier to contact the retailer

Write down the retailer's contact details to help you find them more easily and fill in the "product" information on the back of the manual: The retailer will ask for this information.

1 Information before using the appliance

1.1. Description



A	Cleaner + floating cable
B	Control box
C	Single filtration 150µ

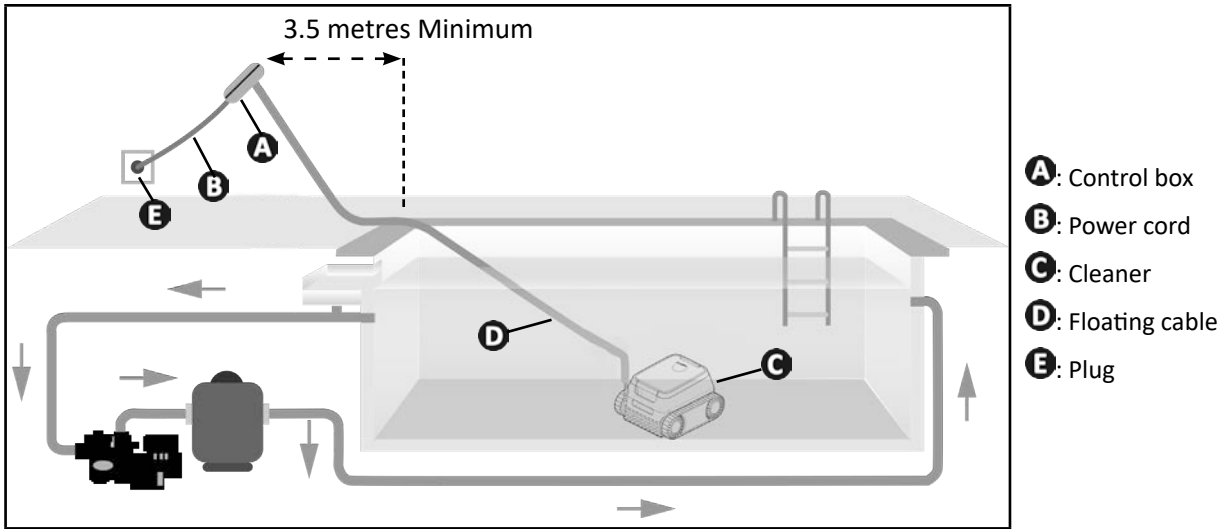
1.2. Technical specifications

Specification	Description	
Control box power supply voltage	220 - 240 VAC, 50/60Hz, Class II*	
Cleaner power supply voltage	30 VDC	
Maximum power input	150 W	
Cable length	15 m	
Filter capacity	3 L	
Cleaner size (L x W x h)	41 x 42 x 28 cm	
Package size (L x W x H)	56 x 56 x 38 cm	
Cleaner weight (without cable)	8 kg	
Packaged weight	14 kg	
Suction width	230 mm	
Maximum operating depth	4 m	
Protection index	Power supply	IPX5
	Cleaner	IPX8

* Class II: Appliance with double insulation or reinforced insulation that does not require grounding.

1.3. Operating principle

- The cleaner is independent of the filtration system and can therefore operate autonomously. It just simply needs to be connected to the main power supply.
- It finds the best route to move around and clean the areas of the pool for which it has been designed (floor, walls, water line). Debris is sucked in and stored in the cleaner's filter.
- The cleaner is controlled via the control box supplied with the cleaner.



1.4. Pool preparation



- This product is intended to be used in pools which are permanently installed. Do not use it in pools which may be dismantled. A permanent pool is built into the ground or on the ground and cannot be easily dismantled and stored.

- The appliance must operate in pool water with the following properties:

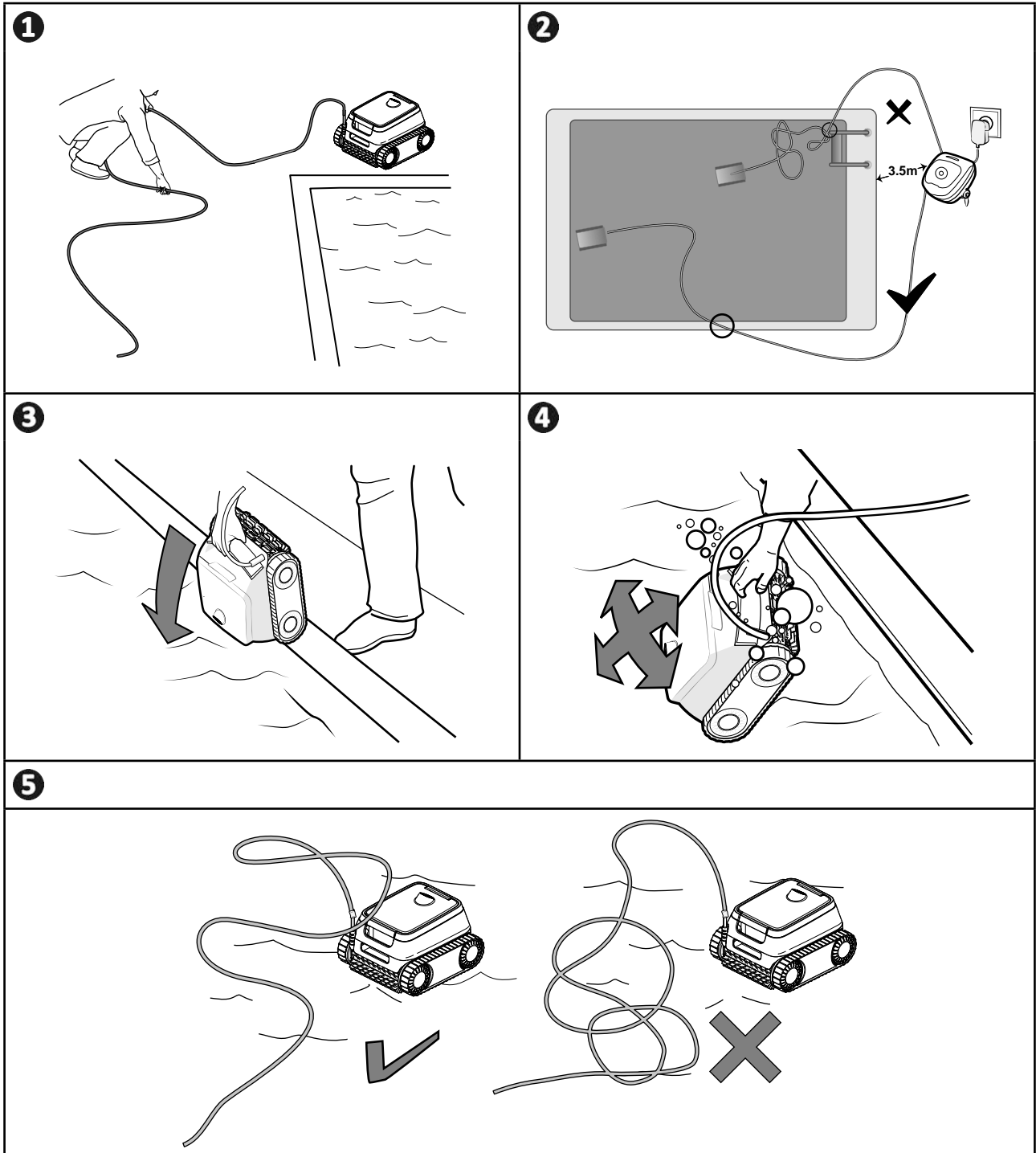
Water temperature	Between 10°C and 35°C
pH	Between 6.8 and 7.6
Free chlorine	< 3 mg/l

- When the pool is dirty, especially when commissioning, remove the largest debris using a net in order to optimise the appliance's performances.
- Remove any thermometers, toys, and other objects that might damage the appliance.

2 General Use

2.1. Immersing the cleaner

- 1 Roll out the full length of the cable alongside the pool to avoid the cable becoming tangled during immersion.
- 2 Position yourself halfway along the length of the pool before immersing the cleaner. This will optimise the cleaner's movements and reduce tangling in the cable.
- 3 Place the cleaner vertically into the water.
- 4 Move it slightly in all directions so that the air contained in the cleaner escapes.
- 5 Unroll enough cable into the pool to allow the cleaner to move in the whole pool. Lay the rest by the pool side.



2.2. Electricity supply connection

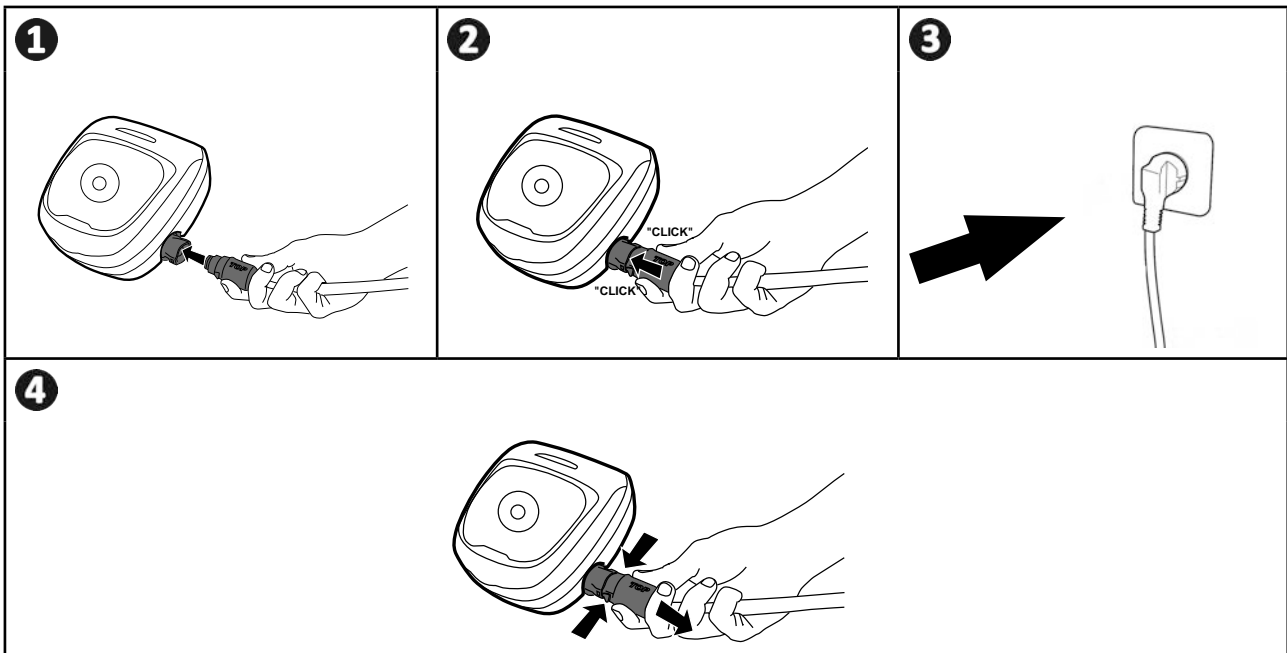
In order to avoid any risk of electrocution, fire or serious injury, please follow the instructions below:



- Use of an electrical extension is prohibited when connecting the control box.
- Make sure that the socket can be easily accessed at all times and is protected from rain or splashes.
- The control box is impervious to spray but must not be immersed in water or any other liquid. It must not be installed in a floodable area; keep it at least 3.5 metres away from the edge of the pool and avoid exposing it to direct sunlight.
- Place the control box near the socket.

- 1 Connect the floating cable into the control box.
- 2 Push the connector in until you hear 2 clicks. Make sure the connector is sufficiently pushed into place. If it is not, repeat the operation.
- 3 Connect the power cord. Only connect the control box to a power outlet protected by a 30 mA residual current device (if in doubt contact a qualified technician).
- 4 To disconnect the floating cable from the control box, pinch the 2 clips at the end of the connector and pull at the same time.

EN



2.3. Starting a cleaning cycle



Do not use the appliance if the roller shutter is closed.

- The control box switches to standby after 10 minutes. Press any key to exit standby mode. Standby mode does not stop the appliance if it is in a cleaning cycle.

To start a cleaning cycle press

The cleaner adapts its movement strategy in order to optimise its level of coverage.




Tip to improve cleaning performance

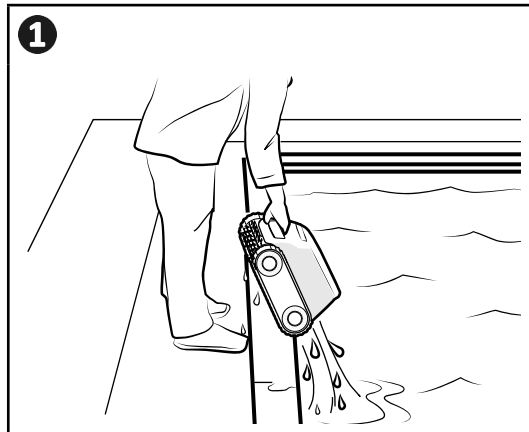
- Remove large debris with a net.
- Regular use of the cleaner (without exceeding 3 cycles per week) means that your pool will always be clean and the filter less clogged.

2.4. Removing the cleaner from the water



- To prevent damaging the equipment, use only the handle to remove the appliance from the pool.

- Wait for the cycle to end or switch off the appliance by pressing .
- Bring the cleaner to the edge of the pool by gently pulling on the floating cable.
- When possible, pick up the cleaner by the handle and lift it gently out of the pool so that the water it contains drains into the pool (see figure **1**).



2.5. Good practices after each cleaning operation

2.5.1. Clean the filter as soon as the appliance is out of the pool



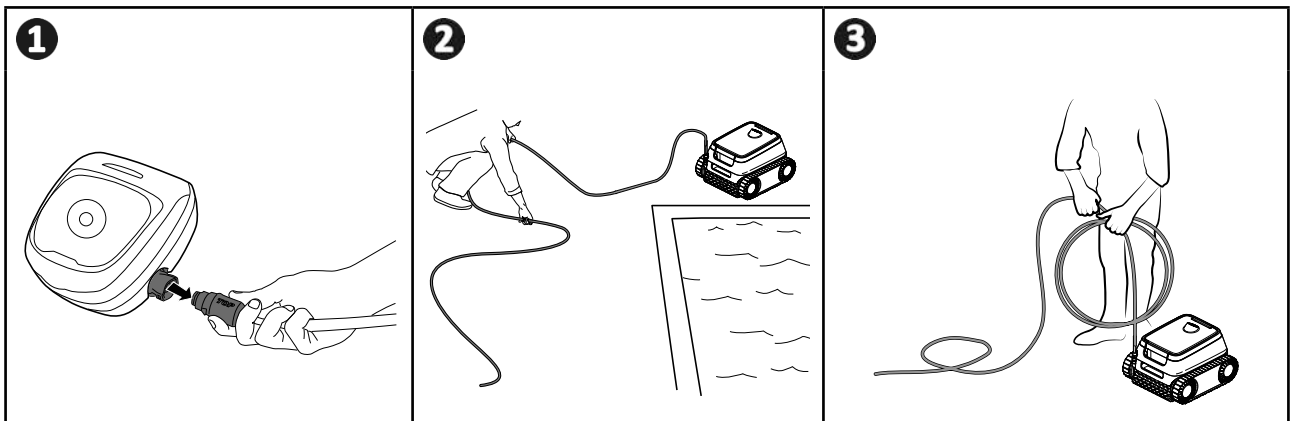
- The cleaner's performance may be reduced if the filter is full or dirty.
- Clean the filter in clean water as soon as the appliance is removed from the pool after each cleaning cycle. Do not wait for the debris to dry.

- After each cleaning cycle, follow the steps for cleaning the filter, see "3.2. Cleaning the filter".

2.5.2. Lay out the cable to reduce tangling

The appliance's behaviour is strongly impacted by the tangling of the cable. A cable that is correctly untangled will guarantee better coverage of the pool.

- 1** Disconnect the cable from the control box.
- 2** Untangle the cable and lay it out in the sun so that it returns to its original shape.
- 3** Roll up the cable starting with the end of the cable closest to the cleaner.



2.5.3. Store the cleaner and cable



- Rinse the cleaner with clear water.
- Store all the elements away from sunlight, humidity and bad weather.

- Roll up the cable carefully. The cable must be carefully arranged for storage. Once rolled up, the cable can be placed on a wall mount for example.
- Store cleaner and all elements away from direct sunlight and any splashes.

3 Maintenance



To maintain the longest possible life of the robotic cleaner, we recommend to check all the parts of the cleaner described in this chapter at least once a month.

To avoid serious injury:

- Disconnect the cleaner from the power supply.

EN

3.1. Cleaning the cleaner

- The appliance must be cleaned regularly using clean or slightly soapy water. **Do not use solvents.**
- Rinse the appliance thoroughly with clean water.
- Do not let your appliance dry in the sun by the pool.



Tip: To preserve the integrity of the cleaner and guarantee optimum performance:

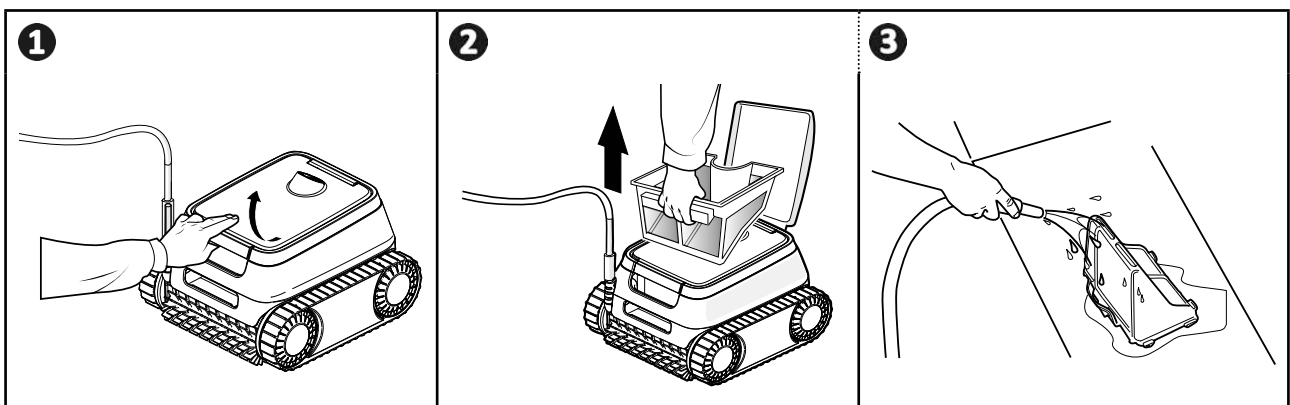
- The filter and brush should be replaced every 2 years,
- Examine the wear indicator on the tracks and replace the tracks as soon as the indicator is reached.

3.2. Cleaning the filter



- The cleaner's performance may be reduced if the filter is full or dirty.
- Clean the filter with clean water after each cleaning cycle.


- If the filter is blocked, clean it with an acid solution (spirit vinegar, for example). It is recommended that you do this at least once a year, since the filter will clog if not used for several months (winterising period).



3.3. Cleaning the impeller

To avoid serious injury:



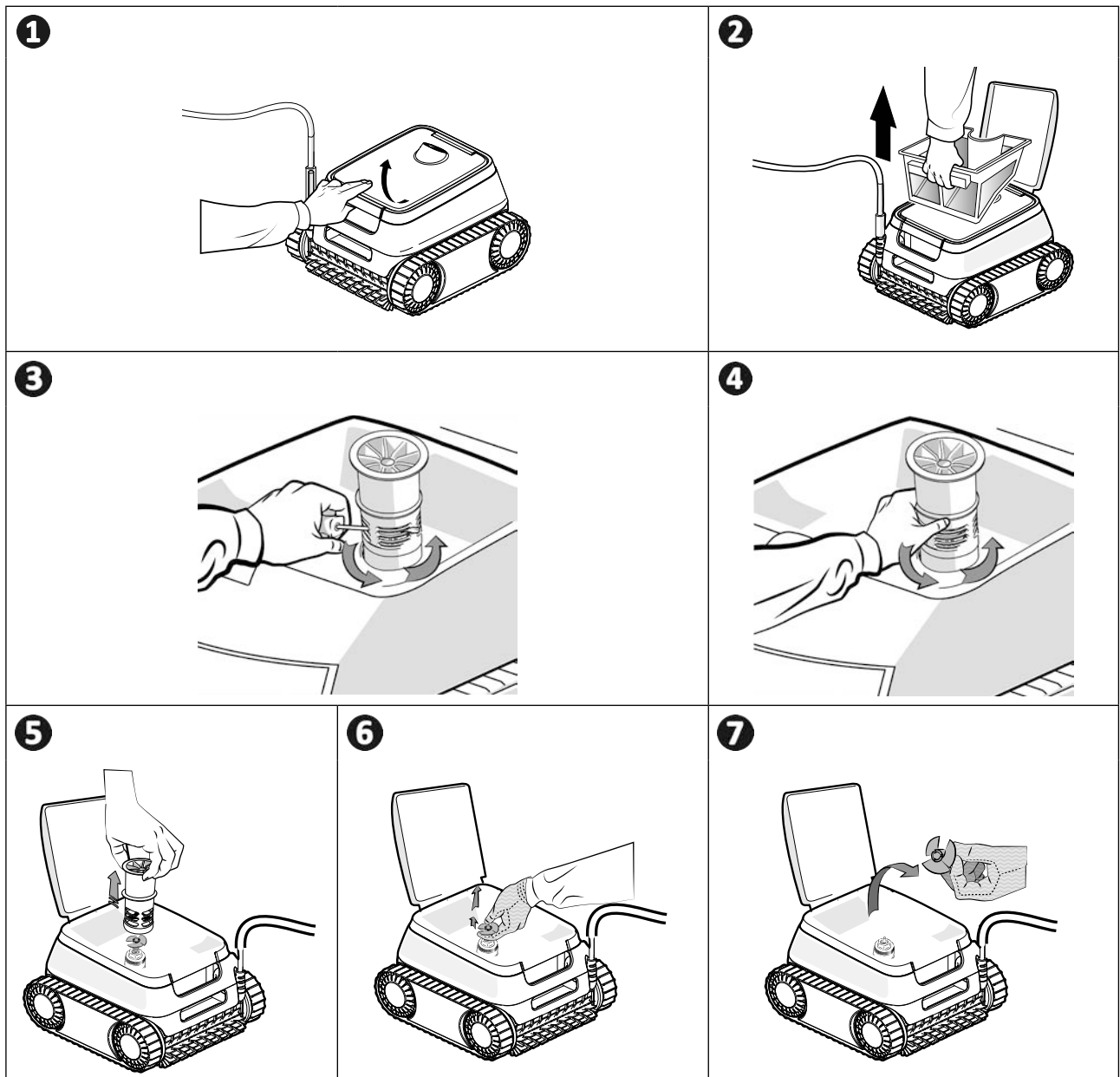
- Disconnect the cleaner from the power supply.
- Wear gloves when maintaining the impeller .

- 1 Open the filter access hatch by lifting the lock.
- 2 Remove the filter.
- 3 Insert a screwdriver into the holes and maintain right pressure to loosen flow guide by turning the screwdriver in the anti-clockwise direction (upon first removal, the flow guide is securely tightened).
- 4 Once the flow guide has been loosened, unscrew it by hand.
- 5 Remove the flow guide by lifting it.
- 6 & 7 Put on a pair of gloves and pull the impeller, holding it firmly to take it out.

Remove any debris (leaves, stones, etc.) which may be blocking the impeller.



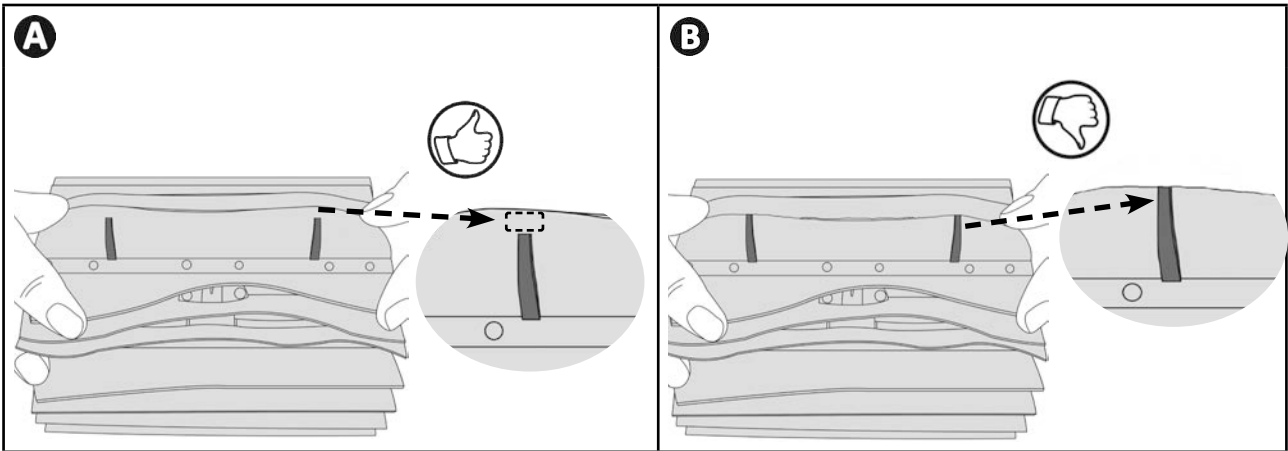
- Once cleaning is finished, put on a pair of gloves and firmly push the impeller back in place. Put the flow guide back in, screwing it by hand. Refit the filter.



3.4. Replacing the brush

Is the brush worn?

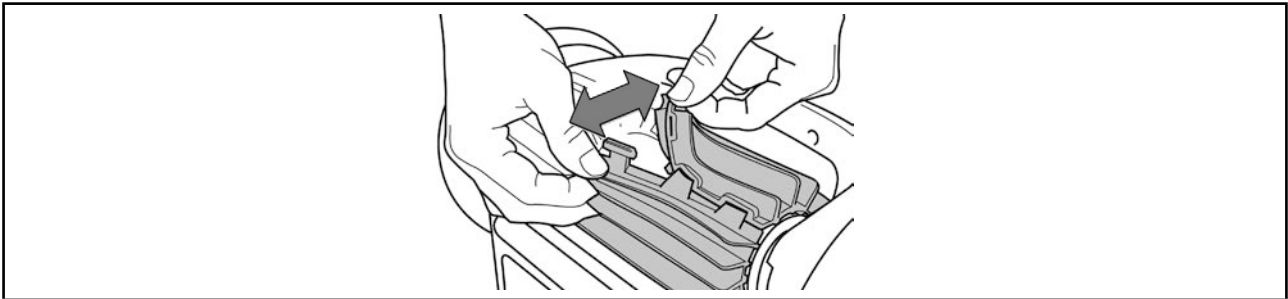
- Replace the brush if the wear indicators are similar to example **B**:



EN

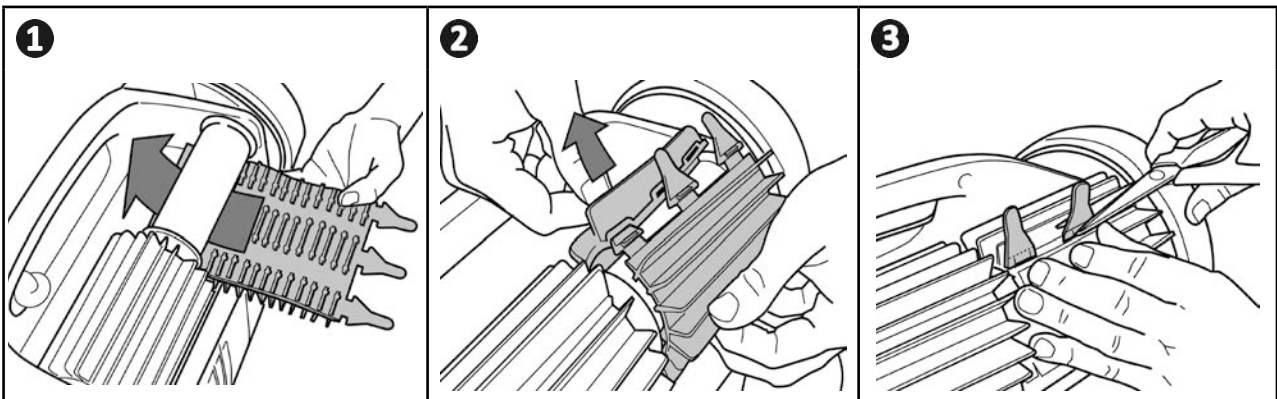
Remove the worn brush

- Remove the tabs from the holes inside which they are fastened, then remove the brush.



Position the new brush

- 1 Fit the side without tabs under the brush holder.
- 2 Roll the brush around its support, slide the tabs into the attachment holes and pull on the end of each tab until its edge passes through the slit.
- 3 Cut the tabs using a pair of scissors for them to be level with the other blades.



4 Troubleshooting



- If a problem occurs, before you contact your retailer, please carry out these few simple checks using the following tables.
- If the problem persists, contact your retailer.
- - Actions to be performed by a qualified technician only.


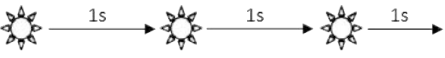


4.1. Appliance behaviour


Part of the pool is not correctly cleaned	<ul style="list-style-type: none"> • Repeat the immersion steps (see "2.1. Immersing the cleaner"), varying the immersion location until you find the right place in the pool. • The positioning of the cable can limit the cleaner's movement: Check that enough cable is unrolled into the pool and that the rest of the cable is laid out by the pool side. • The filter is full or dirty: Clean it.
The appliance does not stay firmly on the pool floor	<ul style="list-style-type: none"> • There is still air in the appliance's casing. Repeat the immersion operations (see "2.1. Immersing the cleaner"). • The filter is full or dirty: Clean it (see "3.2. Cleaning the filter"). • If the filter remains clogged despite cleaning, replace it. • The impeller is damaged: • The front of the cleaner does not stay flat on the floor (while resting or rotating clockwise): This behavior is normal and is related to the balance of the cleaner. This can occur throughout the cycle when the cleaner rotates to change directions.
The appliance does not climb the walls or no longer climbs the pool walls as it originally did	<ul style="list-style-type: none"> • The cleaner does not systematically climb the walls. The frequency varies during the cycle. The cleaner does not necessarily climb the walls at the beginning of the cycle. To be sure that the cleaner never climb the walls, it is necessary to observe the cleaner behaviour for about 20 minutes. • The filter is full or clogged: Clean it with fresh water. If the filter is clogged, clean it with an acidic solution (spirit vinegar, for example). Replace the filter if necessary. • The tracks are slack: Contact your retailer to replace them. • Clean the check valve without removing it. • Debris/objects prevent the bypass from operating: contact your retailer to clean the bypass. • Even though the water seems clear, microscopic algae are present in your pool. They are not visible to the naked eye, and they make the walls slippery and prevent the appliance from climbing. Carry out shock chlorination and slightly reduce the pH. Do not leave the appliance in the water during shock treatment.
The appliance does not move on start-up	<ul style="list-style-type: none"> • Check that the control box's power socket is receiving a power supply.
The cable gets tangled	<ul style="list-style-type: none"> • Unroll as much cable as possible in the pool and lay the rest by the pool side.
The control box does not respond when you press the button.	<ul style="list-style-type: none"> • Unplug the power cord from the mains socket, wait 10 seconds and plug it back in again.

If the problem persists, contact your retailer:

4.2. User alerts

The status indicator on the control box flashes to alert the user. Follow the recommended troubleshooting tips below.

 LED (Start)	Solutions
	<ul style="list-style-type: none"> • Disconnect and reconnect the cleaner. • Check that the cable is properly connected to the control box. • Check that nothing is interfering with the cable connection area. • If this fails to solve the problem, contact your retailer for a full diagnosis.
	<ul style="list-style-type: none"> • Check that debris or the cable is not preventing the brush or the tracks from rotating freely. • Check that nothing is interfering with the cable connection area. • Rotate each wheel by a quarter of a turn in the same direction until it rotates smoothly • If this fails to solve the problem, contact your retailer for a full diagnosis.
	<ul style="list-style-type: none"> • Turn the cleaner off. • Clean the filter thoroughly. • Put it back in the water, shaking to release the air bubbles. • Restart the cycle. • If this fails to solve the problem, please contact your retailer for a full diagnosis. <hr/> <ul style="list-style-type: none"> • Check that no debris or hair is blocking the impeller. • Clean the filter thoroughly. • If this fails to solve the problem, contact your retailer for a full diagnosis.

If the problem persists, contact your retailer: 

Deleting an error code

- After following the troubleshooting solutions, press a key on the control box to delete the error code.

Votre revendeur
Your retailer

Modèle appareil
Appliance model

Numéro de série
Serial number
