

**CS**

ECO-FRIENDLY CARTRIDGE FILTERS FOR THE FINEST FILTRATION

1 ULTRA-FINE FILTRATION

A filtration level of between 15 and 20 microns, 2 times finer than sand filters, for translucent water in all circumstances and **optimal bathing comfort**.

2 SIMPLE AND WATER EFFICIENT

No need for backwashes, simply rinse the cartridge with fresh water. What's more, you will **use at least 10 times less water** than when cleaning a sand filter.

3 SUITABLE FOR ALL INSTALLATIONS

Very compact filter for **easy installation** in all types of technical rooms, and particularly when there is no drain possibility. Installation is even quicker thanks to the Versa Plumb® kit that is available as an optional accessory when using any FloPro™ pump model.

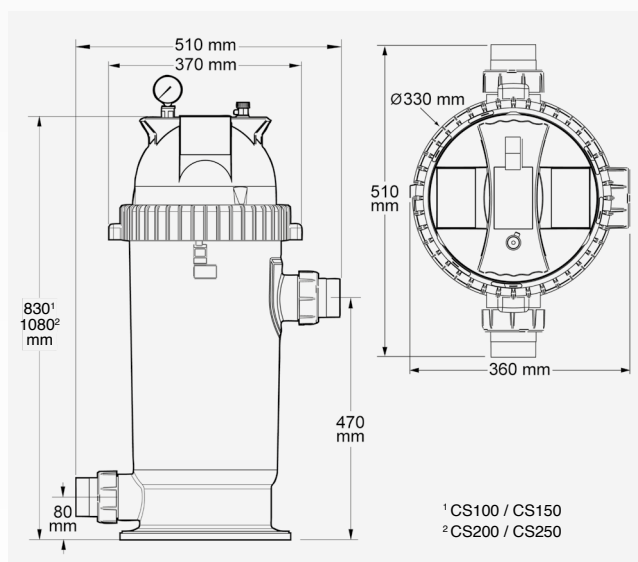
**FINE
FILTRATION****ECO
FRIENDLY****EASY
INSTALLATION**

TECHNICAL INFORMATION

	CS100	CS150	CS200	CS250
Maximum Pool volume (6hr/day) (m ³)	130	170	170	170
Max. flow rate (m ³ /h)	22.7	28.4	28.4	28.4
Filter area (m ²)	9.3	14.0	18.6	23.2
Number of layers (cartridge)	143	215	200	215
Filtration speed (m ³ /h/m ²)	2.4	2.1	1.5	1.2
Connections Ø (mm)	63/50			
Working pressure (bar or kg/cm ²)	0.2 to 0.8 (variable speed pump) / 0.4 to 1.2 (single speed pump)			
Maximum pressure (bar or kg/cm ²)	3.5			
Tank material	Fiber glass reinforced polypropylene			
Filtration fineness	15-20 microns			
Pressure gauge position	Onto the top cover			
Drain	63mm, 63/50mm plumbing kit provided			

BENEFITS

- Ultra-compact footprint.
- Fine filtration cartridges.



ACCESSORY

- Versa Plumb® connection kit:
 - quick installation with a FloPro™ pump (all models)
 - improved hydraulic efficiency
 - 1/2" thread for earth connection kit



STANDARD FEATURES



63/50mm
union tailpieces

Filter cartridge

FOR WHICH TYPE OF POOLS?

- 1 ALL TYPES OF SWIMMING POOL



- 2 POOLS UP TO 170 m³



5 YEARS
WARRANTY
ON THE TANK

3 YEARS
WARRANTY
ON THE EQUIPMENT