

EN
FR
ES
IT
DE
PT
ND

SALT ELECTROLYSIS SYSTEM
SYSTÈME D'ÉLECTROLYSE SALINE
SISTEMA DE ELECTROLISIS SALINA
SISTEMA PER L'ELETTROLISI DEL SALE
SALZ-ELEKTROLYSE-SYSTEM
SISTEMA DE ELECTRÓLISE SALINA
ZOUTELEKTROLYSESYSTEME

Model. DOM-12 /PH /PLUS
DOM-24 /PH /PLUS
DOM-32 /PH /PLUS
DOM-42 /PH /PLUS



INSTALLATION AND MAINTENANCE MANUAL
MANUEL D'INSTALLATION ET D'ENTRETIEN
MANUAL DE INSTALACION Y MANTENIMIENTO
MANUALE DI INSTALLAZIONE E MANUTENZIONE
EINBAU-UND BETRIEBSANLEITUNG
MANUAL DE INSTRUÇÕES E MANUTENÇÃO
INSTALLATIE- EN ONDERHOUDSHANDLEIDING

PoolStation®
compatible



IDEGIS

Series
FT
O
M
O
T

IMPORTANT: The instruction manual you are holding includes essential information on the safety measures to be implemented for installation and start-up. Therefore, the installer as well as the user must read the instructions before beginning installation and start-up. Keep this manual for future reference.



Disposal of waste electrical and electronic domestic systems in the European Union

All the products marked with this symbol indicate that the product shall not be mixed or disposed with your household waste at their end of use. It is responsibility of the user to eliminate this kind of wastes depositing them in a recycling point adapted for the selective disposal of electrical and electronic wastes. The suitable recycling and treatment of these wastes contributes in essential way to the preservation of the Environment and the health of the users. For further information regarding the points of collection of this type of wastes, please contact to the dealer where you acquired the product or to your municipal authority.

The instructions given in this manual describe the operation and maintenance of DOMOTIC Series DOM-XX, DOM-XX PH and DOM-XX PLUS Salt Electrolysis Systems. For optimum performance of the DOMOTIC Series Salt Electrolysis Systems, we recommend you to follow the instructions given below:

1. CHECK THE CONTENTS OF THE PACK: _____

You should find the following elements inside the box:

- Power supply.
- Electrolysis cell.
- pH sensor (only in DOM-XXPH).
- EX-ORP sensor (only in DOM-XX PLUS Series).
- Calibration solutions pH 7.0 (green) / pH 4.0 (red) / ORP 470 mV (only in DOM-XXPH and DOM-XX PLUS models).
- Sensor holder (only in DOM-XX PH and DOM-XX PLUS models).
- CEE22 (M) connector for dosage pump (only in DOM-XX PH and DOM-XX PLUS models).
- Operation Manual.

2. GENERAL FEATURES: _____

When DOMOTIC Series Salt Electrolysis System is installed, a quantity of salt must be dissolved into the swimming pool water. This salty water then passes through the electrolysis cell that is located in the plant room. The DOMOTIC Series Salt Electrolysis System consists of two elements: an electrolysis cell and a power supply. The electrolysis cell contains a quantity of titanium plates (electrodes) and when a weak electrical current is passed through the plates inside the electrolysis cell, there is chlorine production.

Maintaining a level of chlorine in swimming pool water keeps the water sanitised and healthy to swim in. The DOMOTIC Series Salt Electrolysis System will manufacture chlorine whenever the pool circulation system (pump and filter) is operational.

The power supply is provided with various safety devices, which are activated in case of irregular operation of the system, as well as a microprocessor driven control system.

The DOMOTIC Series Salt Electrolysis Systems have an automatic cleaning system that avoids scale formation on the electrodes. Moreover, DOMOTIC-PH Series Systems include a built-in pH controller, as well as an additional ORP controller in the case of DOMOTIC-PLUS Series models.

3. SAFETY WARNINGS AND RECOMMENDATIONS: _____

- The equipment should be assembled and handled by truly qualified people.
- Current electrical and accident prevention regulations should be followed.
- Under no circumstances will the manufacturer be held responsible for the assembly, installation or start-up, nor any handling or fitting of components unless they are carried out on its premises.
- The DOMOTIC Series Salt Electrolysis Systems operate at 230VAC, 50/60 Hz. Do not attempt to alter the system to operate at a different voltage.
- Check that all the electrical connectors are well tightened to avoid false contacts and their consequent overheating.
- Before installing or replacing any component, disconnect the equipment from the mains, and use exclusively spare parts supplied by IDEGIS.
- Taking into account the fact that the equipment produces heat, it must be installed in places with sufficient ventilation. Fan openings should be kept free of any element that could obstruct them. The equipment should not be installed near flammable materials.
- The DOMOTIC Series Salt Electrolysis Systems have an IP24 protection degree. They should never be installed in places susceptible to flooding.

POWER SUPPLY

DESCRIPTION	MODEL			
	DOM-12 / DOM-12 PH / DOM-12 PLUS	DOM-24 / DOM-24 PH / DOM-24 PLUS	DOM-32 / DOM-32 PH / DOM-32 PLUS	DOM-42 / DOM-42 PH / DOM-42 PLUS
Standard working voltage	230 V AC, 50/60 Hz.			
Output (dc)	12 A (2x6 A)	24 A (2x12 A)	32 A (2x16A)	42 A (6x7A)
Production (g/h)	10 - 12	20 -24	25 - 32	34 - 42
Swimming pool (m ³) Warm: 16 - 24°C (60,8 - 75,2 °F) Hot: +25°C (77 °F)	60 50	100 80	160 120	200 160
Flow detector	Gas detector			
Salinity /Temperature range	3 - 12 g./l. / +15 - 40°C (59 - 104°F)			
Electrodes	SELF-CLEANING coated Titanium Estimated lifetime: 4.000 - 7.000 hours of operation			
Production control	0 - 100 % (11 production levels)			
Cover control	Input for potential free contact Programmable reduction of production from control panel when cover is closed [10% ... 90%]			
Polarity switch	Programmable from control panel: 2/3 hours + test mode			
External control	Two inputs for potential free contact for external flow detector and ORP/RESIDUAL CHLORINE control. Programmable contact logics from unit control panel			
Salt level protection	Automatic production protection			

ELECTROLYSIS CELL

DESCRIPTION	MODEL			
	DOM-12 / DOM-12 PH / DOM-12 PLUS	DOM-24 / DOM-24 PH / DOM-24 PLUS	DOM-32 / DOM-32 PH / DOM-32 PLUS	DOM-42 / DOM-42 PH / DOM-42 PLUS
Minimum recirculation flow	2 m ³ /h	4 m ³ /h	6 m ³ /h	8 m ³ /h
Electrode number	5	7	7	13
Material	Methacrylate derivate			
Pipe connections	Gluing with PVC adhesive Ø 63 mm			
Max. Recommended pressure	1 Kg./cm ²			
Working temperature	Less than 40°C (104°F)			

PH / ORP CONTROL

DESCRIPTION	MODEL			
	DOM-12 PH DOM-12 PLUS	DOM-24 PH DOM-24 PLUS	DOM-32 PH DOM-32 PLUS	DOM-42 PH DOM-42 PLUS
Measure range	0.0 - 9.9 (pH) / 0 - 999 mV (ORP)			
Control range	7.0 - 7.8 (pH) / 600 - 850 mV (ORP)			
Precision	± 0.1 pH / ± 1 mV			
Calibration	Automatic, with calibration solutions			
Control output [pH]	One output 230 VAC / 500 mA for dosage pump connection			
pH / ORP sensor	Epoxy body, 12x150 mm., 0-80°C (32 - 176°F) blue, range 0 - 12 (pH), red, range 0 - 1000 mV (ORP)			

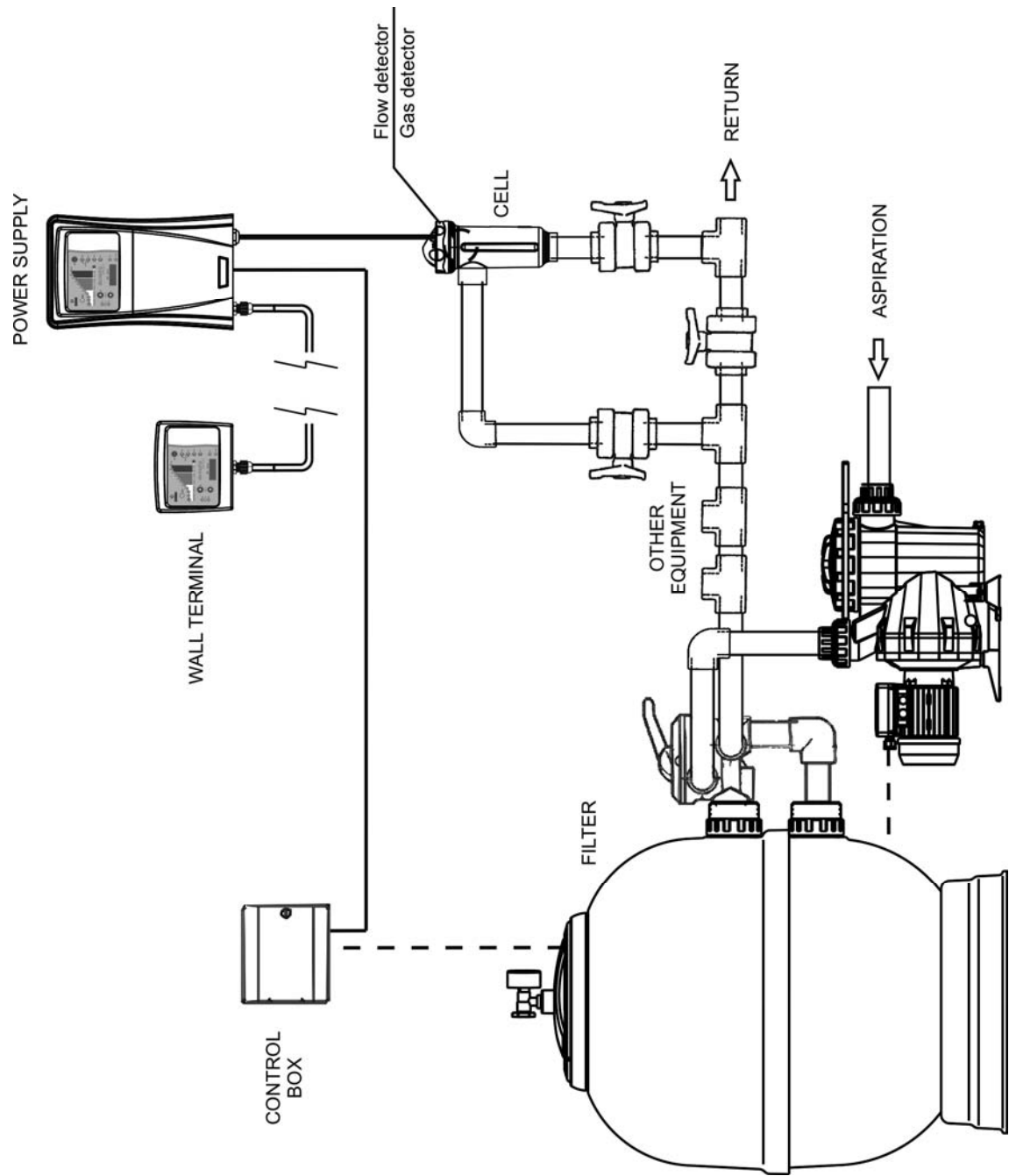


Fig.1 Recommended installation diagram (DOMOTIC Series DOM-XX).

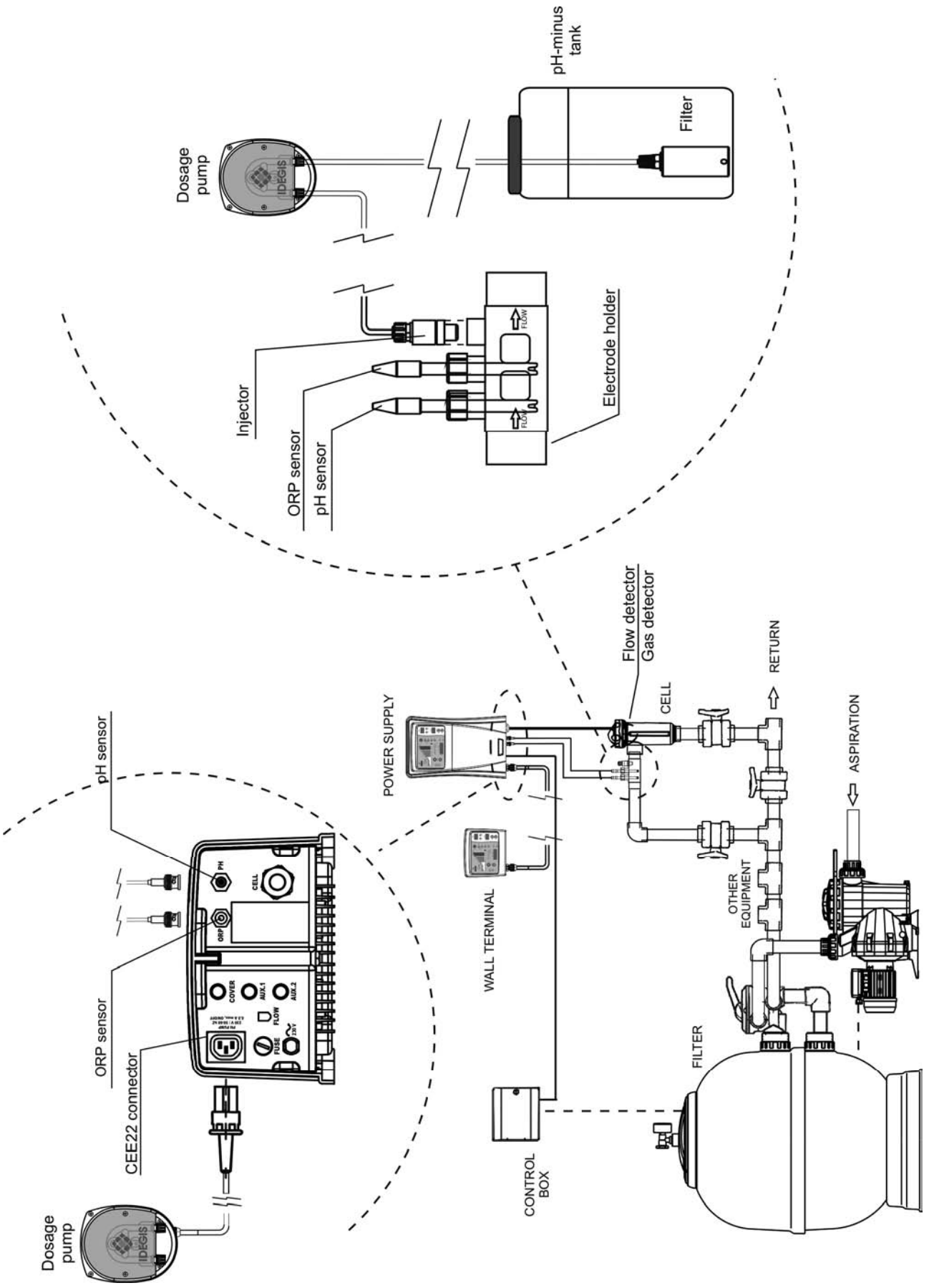


Fig.2 Recommended installation diagram (DOMOTIC Series DOM-XX PH and DOM-XX PLUS).

4. INSTALLATION:

4.1. Installation of the power supply

Always install the POWER SUPPLY of the DOMOTIC Series system VERTICALLY on a solid and rigid surface (wall) as shown in the recommended installation diagram (Figs. 1,2). In order to guarantee a good state of conservation, the POWER SUPPLY should be installed in a well-ventilated dry place. Due to IP degree of the POWER SUPPLY the DOMOTIC Series system should not be installed outdoors. The POWER SUPPLY should be installed a bit distant from the electrolysis cell so that it cannot accidentally suffer water splashes.

Beware of corrosive atmosphere formation due to pH decreasing solutions (specially, those ones based on hydrochloric acid "HCl"). Do not install the DOMOTIC Series system near to any stores of these chemicals. We strongly recommend the use of chemicals based on sodium bisulphate or diluted sulphuric acid. Power supply must be connected to the electrical control box of the pool, so that the pump and the DOMOTIC Series System are turned on (and off) simultaneously.

4.2. Installation of the electrolysis cell

The electrolysis cell is made of a transparent polymer in whose interior the electrodes are placed. The electrolysis cell must be always installed indoors and **after the pool filter**, and after any other equipment that may be present (heat pumps, control systems, etc.).

The installation of the cell should allow easy access to the installed electrodes by the user. It is highly recommended to install the electrolysis cell VERTICALLY, in a place of the pipe that can be easily isolated from the rest of the installation by two valves, so that the tasks of maintenance can be carried out with no need of partial or total draining of the swimming pool.

Where the cell is installed on a by-pass (recommended option), a valve to regulate the flow must be introduced. Prior to installation, please consider the following commentaries:

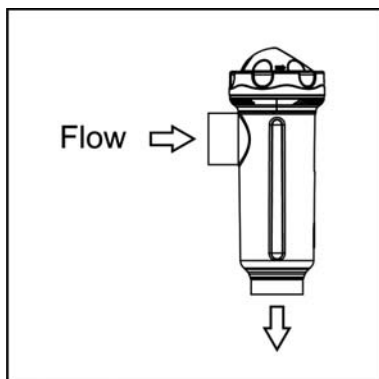


Fig. 3

1. Flow direction marked in the cell must be respected. Recirculation system must guarantee the minimum flow stated in the Table of Technical Specifications for each model (see Section 9).

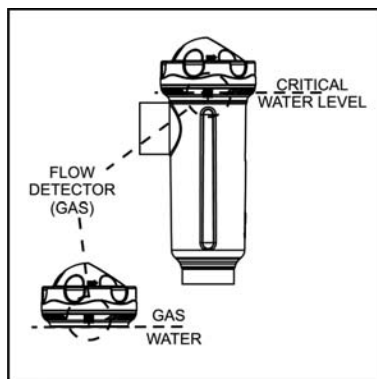


Fig. 4

2. The system flow detector activates if there is not recirculation (flow) of water through the cell or if flow is very low. If electrolysis gases are not properly removed through the electrolysis cell, the generated gas bubble electrically isolates the auxiliary electrode (electronic detection). Therefore, when locating the electrodes in the cell, the level sensor (auxiliary electrode) will have to be located in the higher area of the cell. The safest orientation is shown in the recommended installation diagram.

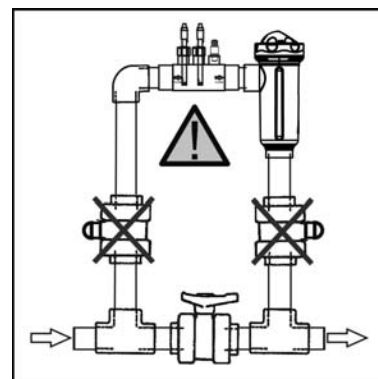


Fig. 5

3. **WARNING:** if the in-out valves of the electrolysis cell are closed simultaneously, the flow detector (gas detector) will not work correctly, with the consequent risk of cell breakdown. Although this situation is extremely unusual, **it can be easily avoided once the equipment has been installed, by locking at opened position the return valve to the swimming pool**, so it cannot accidentally be manipulated.

Other configurations would only be acceptable in the case that they allow for detection of gas bubbles when water flow through the cell is too low.

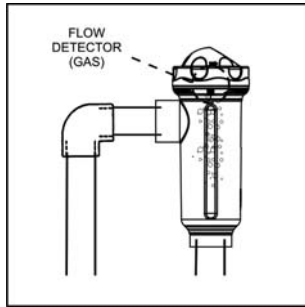


Fig. 6

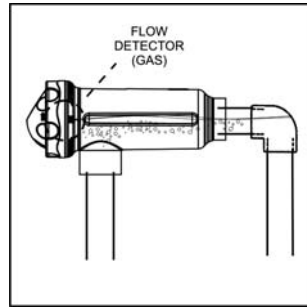


Fig. 7

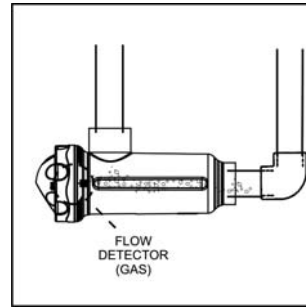


Fig 8

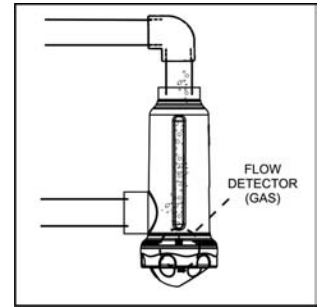


Fig 9

Recommended installation

Allowed installation

Not allowed installations

The electrodes must be inserted in the electrolysis cell, fitting the central electrode through the guides located at the top and bottom of the cell.

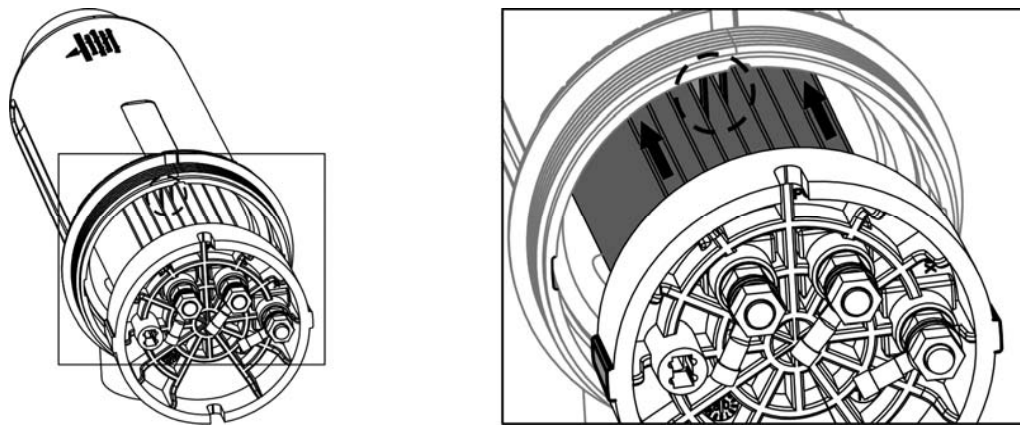


Fig 10

4.3. Electrical connection of the electrolysis cell

Make the interconnection between the electrolysis cell and the power supply according to the following scheme. Due to relatively high current intensity circulating do not modify or cut either the length or section of the supplied cables without making a previous consultation to an authorized IDEGIS distributor. The cable connecting the electrolysis cell and the power supply should never exceed the maximum length recommended in this Manual: **DOM-12 (6 A), 7.5 m.; DOM-24 (12 A), 4.0 m.; DOM-32 (16 A), 3.0 m; DOM-42 (7 A), 16.0 m.**

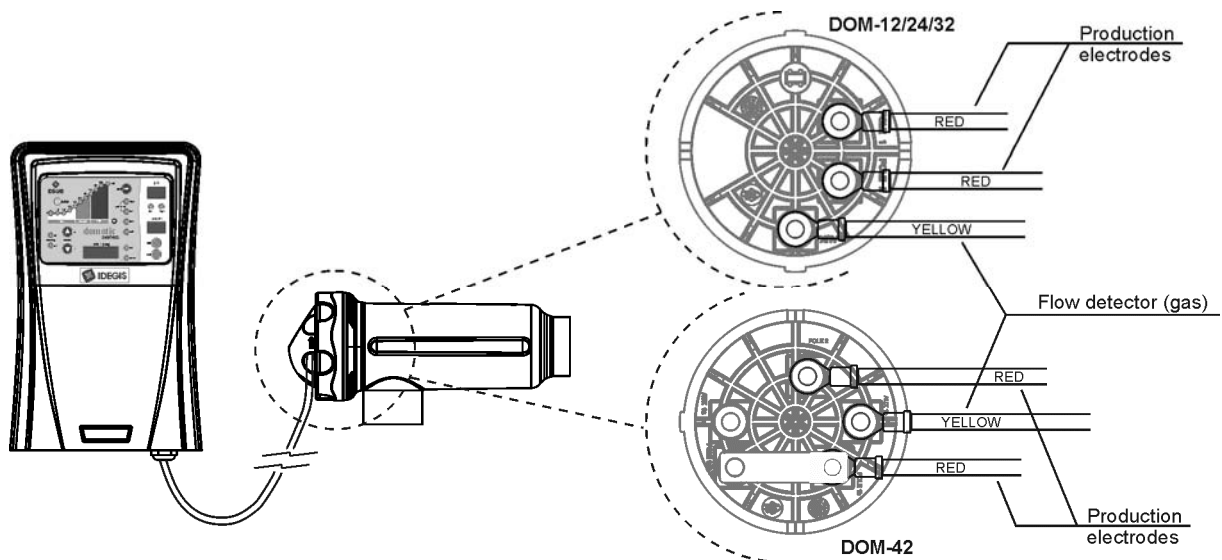


Fig.11

4.4. Installation of the pH / ORP sensors (only in DOM-XX PH and DOM-XX PLUS).

1. Insert the pH / ORP sensors into their corresponding places of the holder (Fig. 12)
2. To that purpose, loosen the connection screws and insert the sensor into the holder.
3. The sensors must be installed in the holder so that it is guaranteed that the sensors located in their ends are always submerged in the water circulating through the pipe.
4. **Always install the pH / ORP sensors vertically or with a maximum inclination of 40° (Fig. 13).**

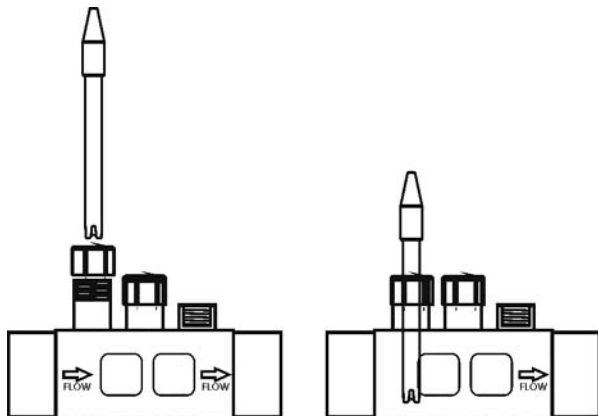


Fig. 12

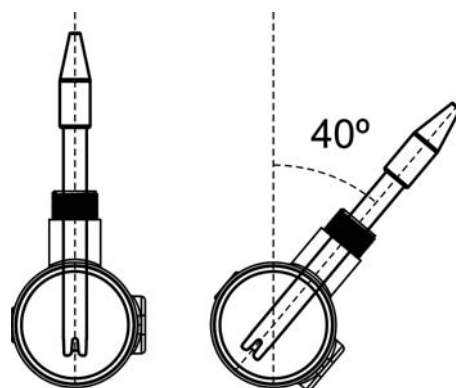


Fig. 13

4.5. Installation of the optional external flow detector (not included with the equipment)

1. Install the saddle supplied in a section of the pipe at the entrance to the electrolysis cell. It should always be installed in a horizontal position relative to the ground (see Fig. 14-1).
2. Install the flow detector (flow switch) vertically in the saddle (Fig. 14-1).
3. There is an arrow on the head of the flow detector. Make sure that this arrow is parallel to the pipe shaft and pointing in the direction that the water flows (Fig. 14-2).
4. Do not install the flow detector near magnetic objects. They could affect the operation of the magnetic device it contains and reduce its reliability.

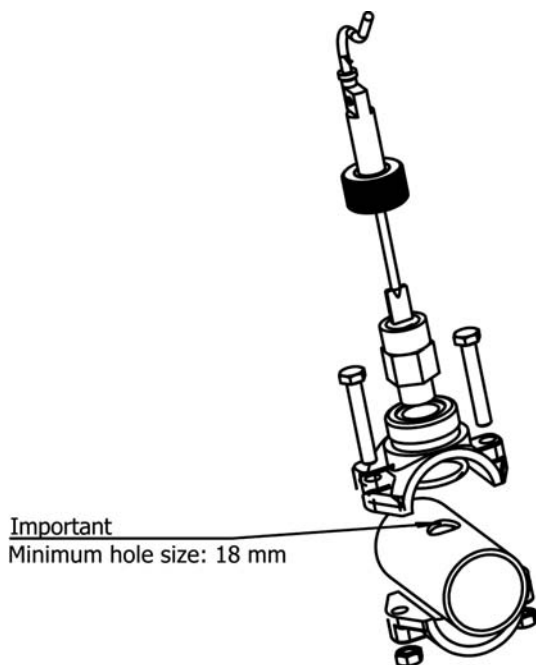


Fig. 14-1

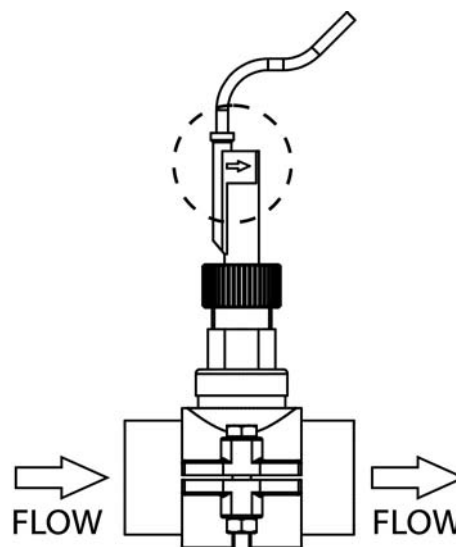


Fig. 14-2

4.6. Installation of the removable control terminal

In the DOMOTIC series systems it is possible to establish a remote control of the electrolysis salt system installed in the swimming pool by means of a control wall terminal installation. The interconnection between the power supply and the control terminal can be executed through a 6-conductor signal cable connected to the respective connectors in power and visualization cards. The cable length will be determined by the customer's requirements but must be always lower than 40 meters. The terminal is 10,5 Vac auto-supplied by the communication bus, so it doesn't need any additional supply.

The wall terminal doesn't require any special maintenance procedure, with the exception of these maintenance recommendations:

- Use a slightly moisten cloth to clean it.
- Don't use aggressive cleaning products (bleach, sprays, solvents, alcohol, etc.)

The remote control is designed to be installed on a rigid wall. Its IP-65 degree allows the outdoor installation. Nevertheless, it's recommended not to expose the terminal to the solar rays. In order to install the remote control, follow the instructions shown below:

1. Remove the power supply cover by unscrewing the fixation screw (Fig. 11-1) and sliding upwards and outwards (Fig. 11-2). Then turn the cover to the left (Fig. 11-3) and disconnect the communications bus (A) from power and visualization cards (Fig. 11-4).
2. Unscrewing its four fixation screws (Fig. 11-5).
3. Assemble the control terminal (Fig. 11-6).

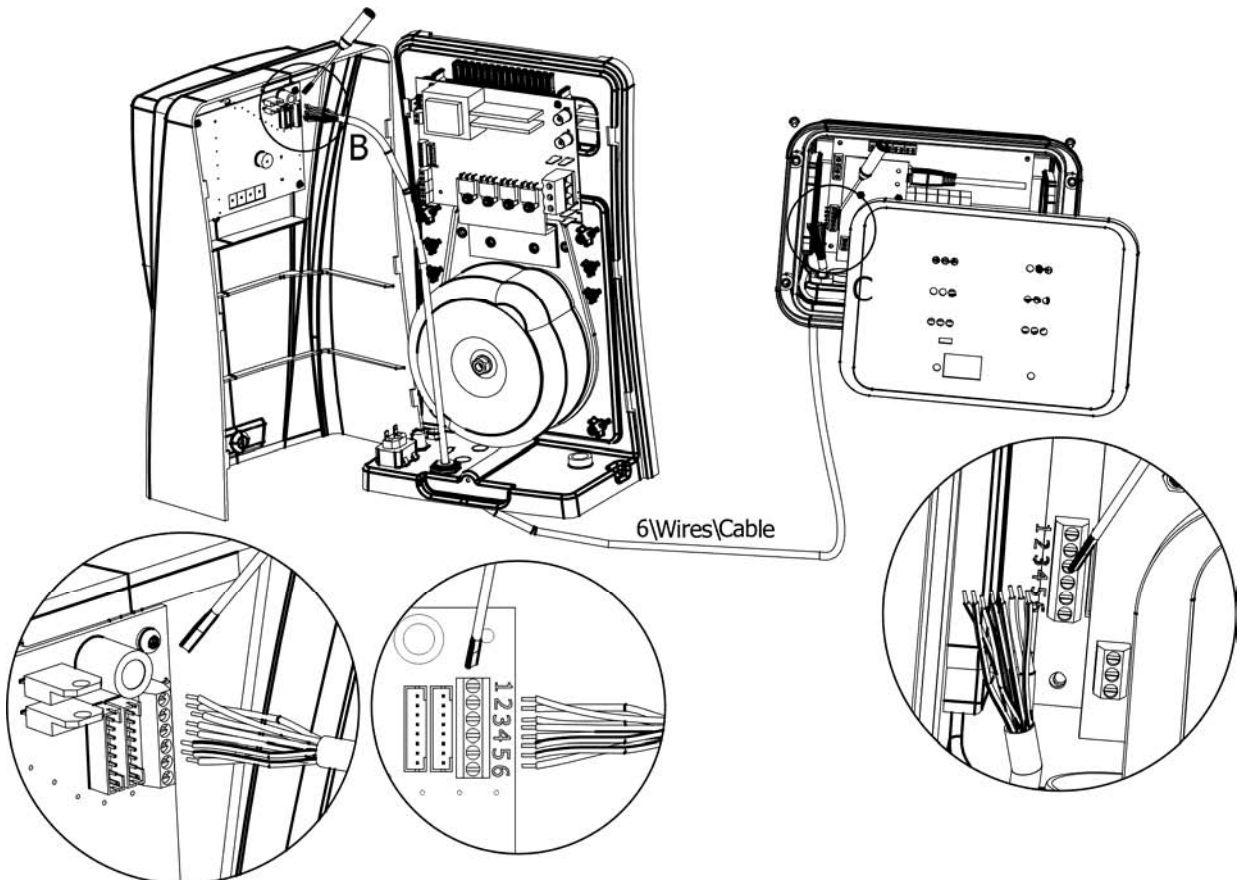
OPTION A: installation using the original IDEGIS cable ref. DOM-020-XX (XX indicates the cable length in meters).

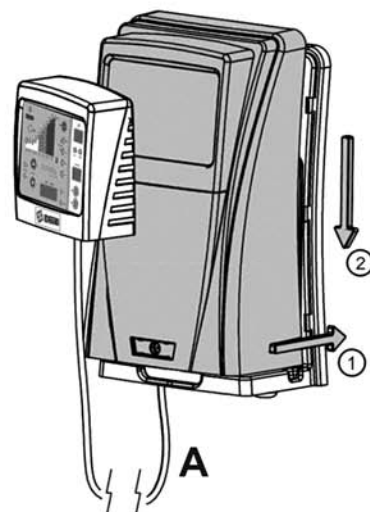
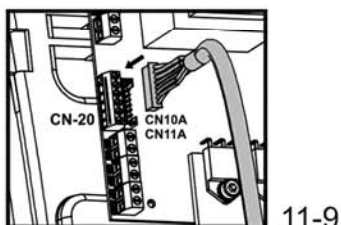
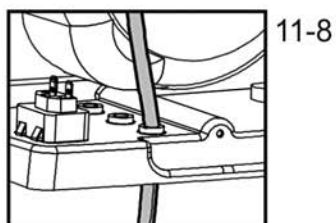
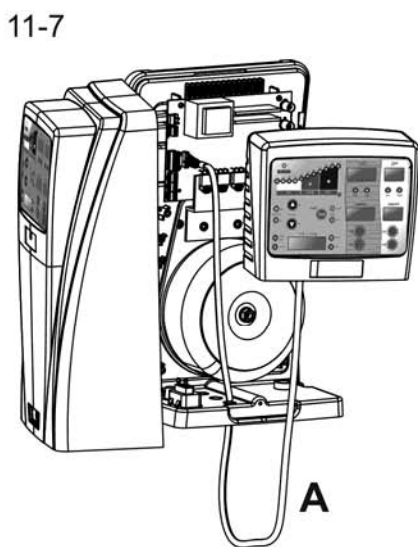
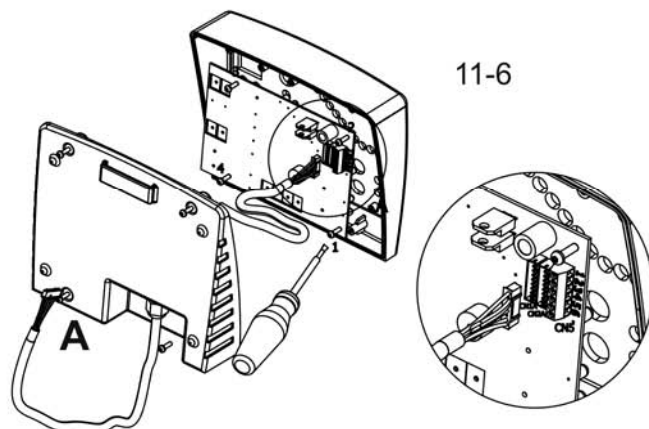
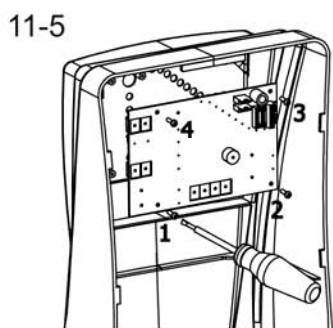
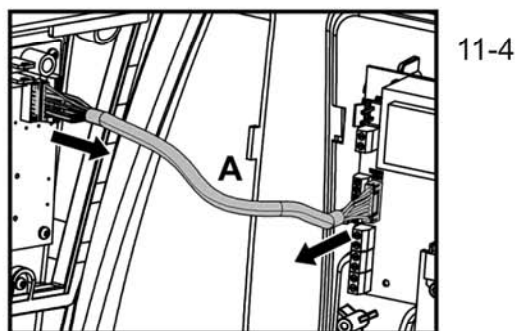
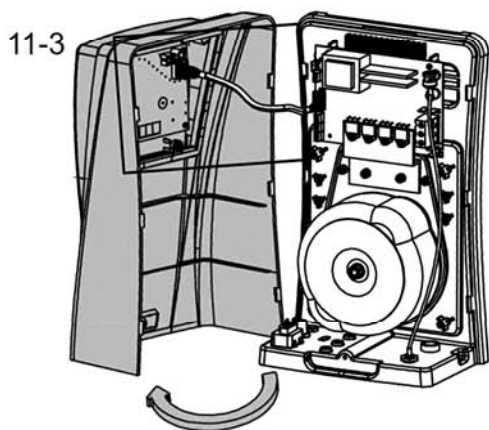
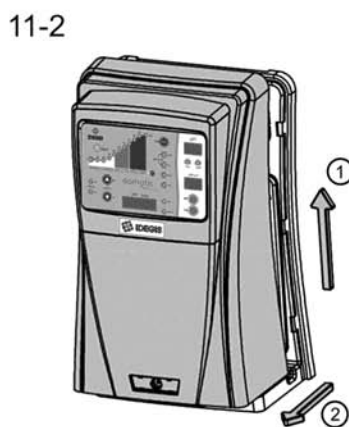
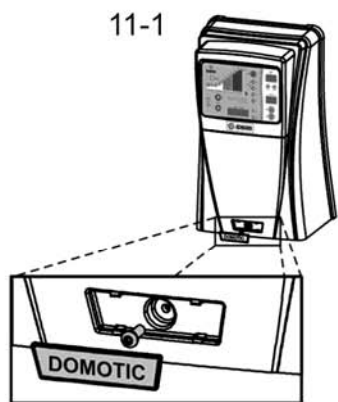
OPTION B: installation using a standard 6-conductor signal cable (each conductor must have a 0,22 mm² minimum cross section).

In both cases the maximum possible length is 40 meters. Nevertheless, using an Unshielded Twisted Pair (UTP) (Category 5e unshielded) allows interconnection distances until 60 meters.

4. For this purpose, put the new communications cable (A) through the cable gland situated in the terminal base and connect it in either one of the two connectors of the visualization card (CN1A, CN2A) [**OPTION A**], or in the connector CN-5 [**OPTION B**]. Combine the visualization frontal and the terminal base using the four screws supplied.
5. Put the free end of the communications cable through the AUX 2 hole situated on the power supply base (Figs. 11-7, 11-8) and connect it in the connector CN10A/CN11A [**OPTION A**] or in the connector CN-20 [**OPTION B**] in the power card (Fig. 11-9). Replace the cover in the power supply (Fig. 11-7).
6. Fix the wall fixation (see section 8) in the chosen installation point and hang the control terminal on it.

4.7 Connection PoolStation





4.7. Controls and indicators

DOMOTIC Series electrolysis systems are equipped with a control panel in the front (Figs. 15,16, 16b).

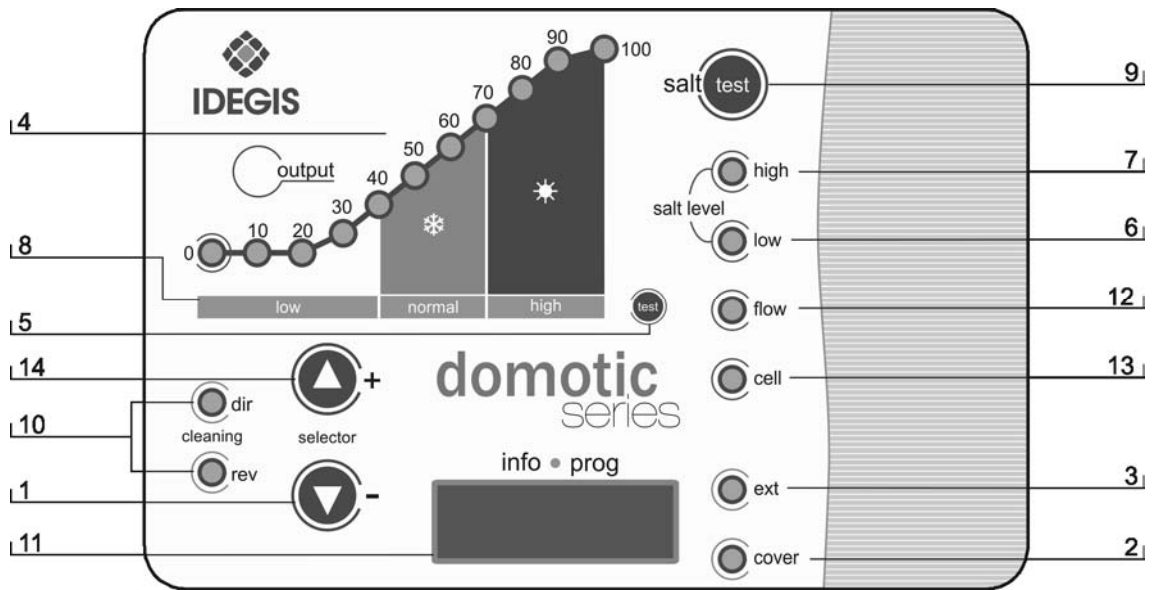


Fig. 15. DOM-XX models control panel

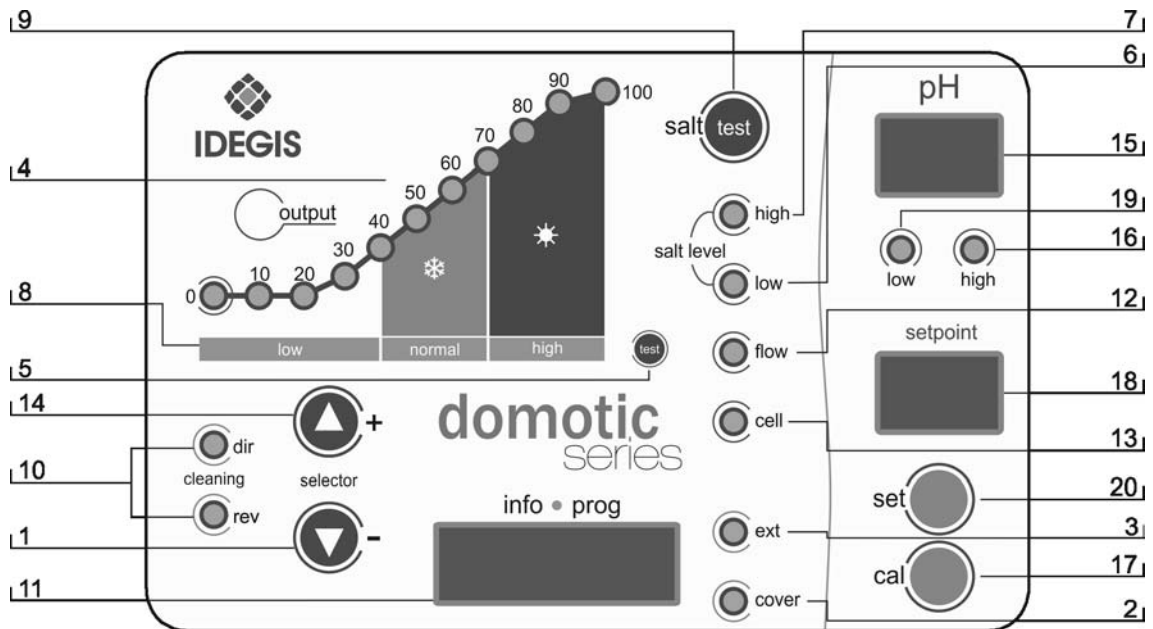


Fig. 16. DOMXX-PH models control panel

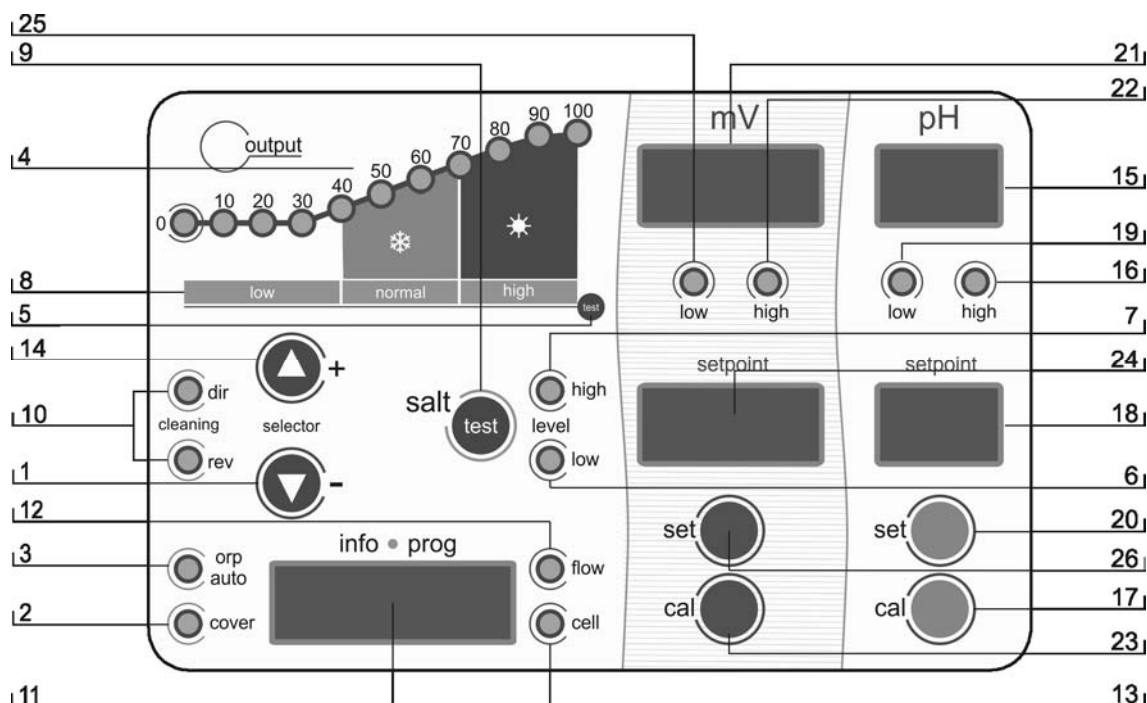


Fig. 16b. DOM-XX PLUS models control panel.

- | | |
|---|---|
| <ol style="list-style-type: none"> 1. Key "▼" (decrease production / programming menu navigation). 2. Indicator of activated AUTOMATIC COVER control. 3. Indicator of activated ORP control (AUTO mode) 4. Production scale (%) 5. SALINITY TEST scale. 6. Indicator of LOW SALINITY. 7. Indicator of HIGH SALINITY. 8. SALINITY scale (qualitative). 9. Key for "SALINITY TEST". 10. SELF-CLEANING indicators (DIRECT / REVERSE) polarity. 11. Display of SYSTEM INFORMATION. 12. Indicator of FLOW ALARM. 13. Indicator of ELECTRODE passivation ALARM | <ol style="list-style-type: none"> 14. Key "▲" (increase production / programming menu navigation). 15. Display of water pH. 16. Indicator of HIGH PH ALARM (> 8.5). 17. Key for pH CALIBRATION MODE. 18. Indicator of PH SETPOINT. 19. Indicator of LOW PH ALARM (< 6.5). 20. Key for PH SETPOINT PROGRAMMING 21. Display of water ORP. 22. Indicator of HIGH ORP ALARM (> 850 mV) 23. Key for ORP CALIBRATION MODE 24. Indicator of ORP SETPOINT. 25. Indicator of LOW ORP ALARM (< 650 mV) 26. Key for ORP SETPOINT PROGRAMMING |
|---|---|

Besides basic operations, the DOMOTIC Series electrolysis system has three inputs for voltage-free contacts, enabling the connection of additional external controls. They are located on connector [CN7] of the power card (Fig. 17).

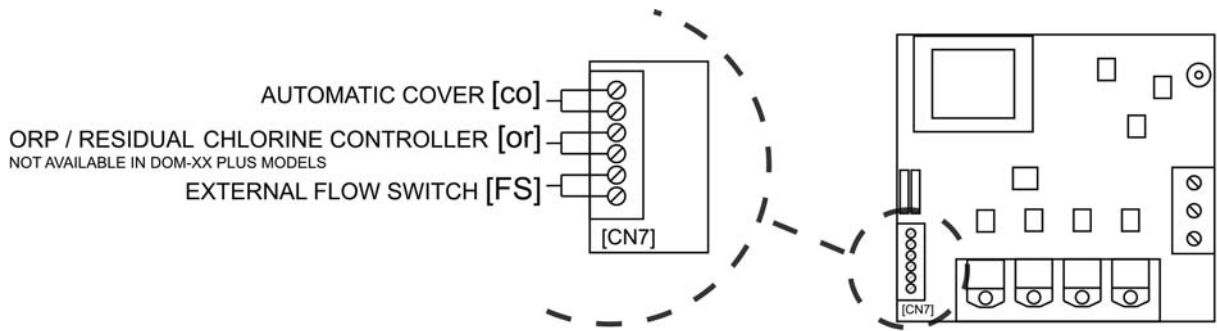


Fig. 17

The logic associated to these three inputs can be programmed during the system configuration process (see point 5.2)

- **[FS] OPTIONAL EXTERNAL FLOW DETECTOR CONTROL** (not included with the equipment): input for potential-free contact. When the contact connected to this input is open (external flow detector at rest), and the [FS] is configured as [FS1c], the electrolysis system switches off due to the flow alarm. Connect the external flow detector wiring to the respective input [FS], placed in the [CN7] connector, on the unit's power card.

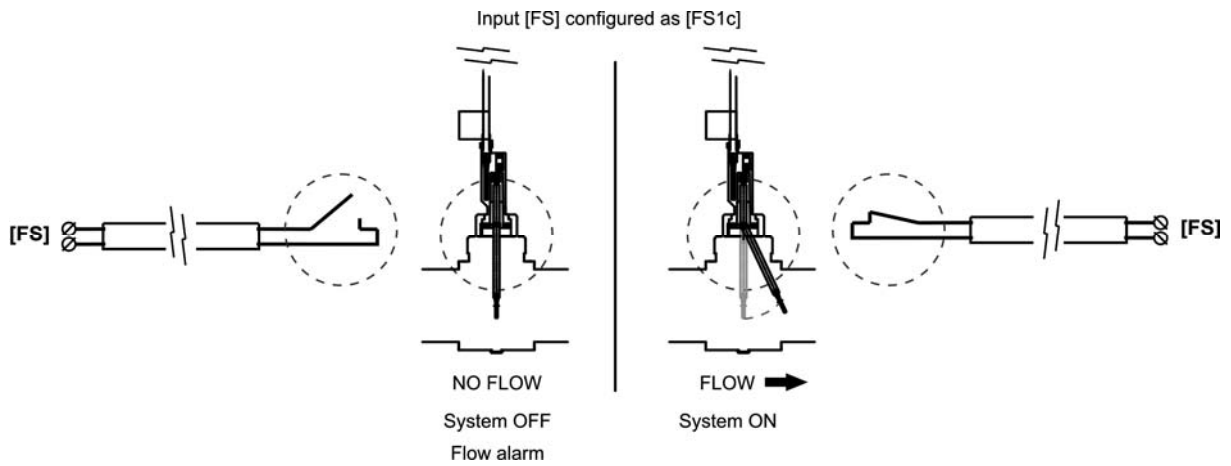


Fig. 18

- **[co] AUTOMATIC COVER CONTROL**: input for potential-free contact. Depending on the status of the contact connected to it on the automatic cover's electric panel, this input enables you to programme a reduction of the equipment's output current to a percentage of its nominal value.

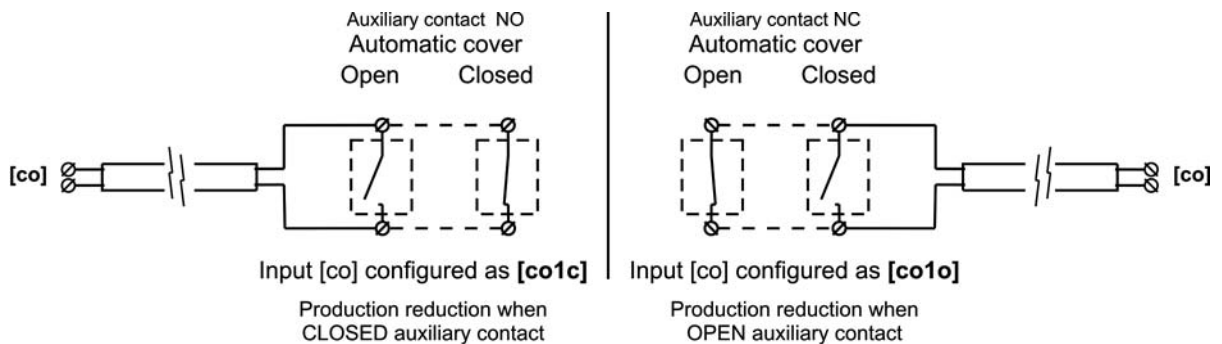


Fig. 19

- **[or]** **ORP / RESIDUAL CHLORINE control (unavailable in DOMOTIC-XX PLUS models):** input for potential-free contact. This input can be used to install an external controller of the electrolysis system (ORP, RESIDUAL CHLORINE, PHOTOMETER, etc.). To that purpose connect two cables from the potential-free contact, placed in the external controller, to the corresponding input **[or]** placed in the system's control card.

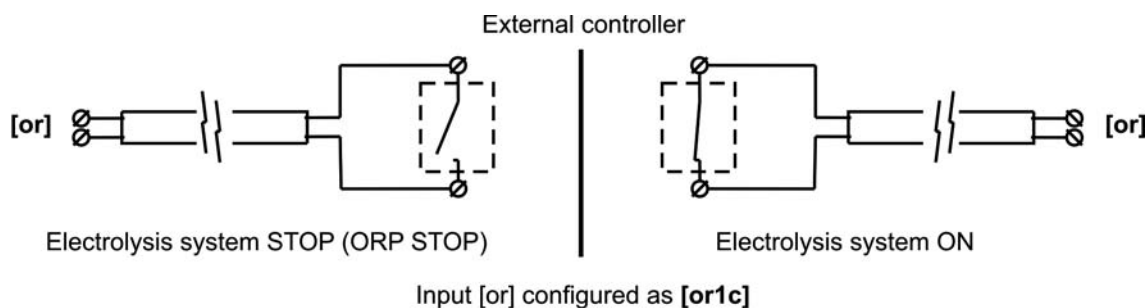


Fig. 20

4.8. Start-up

1. Check that the filter is 100% clean, and ensure that the swimming pool and the installation do not contain copper, iron or algae. Ensure that any heating equipment on the pool is suitable for use in salt water.

2. Ensure that the swimming pool water is balanced, because like that the chlorine produced is used more efficiently and effectively, and ensures that the life of the electrodes is prolonged. Water should be maintained within the parameters shown below.

a) pH must be in the range 7.2-7.6

b) Total alkalinity must be in the range 60-120 ppm

3. Although the DOMOTIC Series system can operate within a salinity range of 4 - 6 g/l, the minimum recommended level of salt, 5 g/l, should be maintained by adding 5 kg per m³ of water if the water did not previously contain salt. Always use common salt (sodium chloride), without additives like iodides, that is "apt for human consumption". Never add the salt through the electrolysis cell. Add it directly to the swimming pool or into the balance tank.

4. When adding the salt, and in case the swimming pool is going to be used immediately, carry out a treatment with chlorine. An initial dose of 2 g/m³ of trichloroisocyanuric acid may be added.

5. Prior to starting up the salt chlorinator, disconnect the power supply to the salt chlorinator and run the pump for 24 hours to ensure that the salt is completely dissolved.

6. Next, reconnect the power supply and turn on the salt chlorinator, locating the production level so that free chlorine concentration stays within the recommended range (0.5 - 1.5 ppm).

NOTE: in order to establish the free chlorine level you will need to use a test kit.

7. In outdoor swimming pools it is advisable to maintain a level of 25-30 g/m³ of chlorine stabiliser (cyanuric acid) in the pool. A level of 75 ppm should be never exceeded. This will help to stop the chlorine that is in the water from being destroyed by the sun.

5. OPERATION:



5.1. **System on stand-by**

The system goes into “STAND-BY” when the “▼” [1] key is pressed until the “0%” light blinks. When this occurs, there is no production in the electrolysis cell.

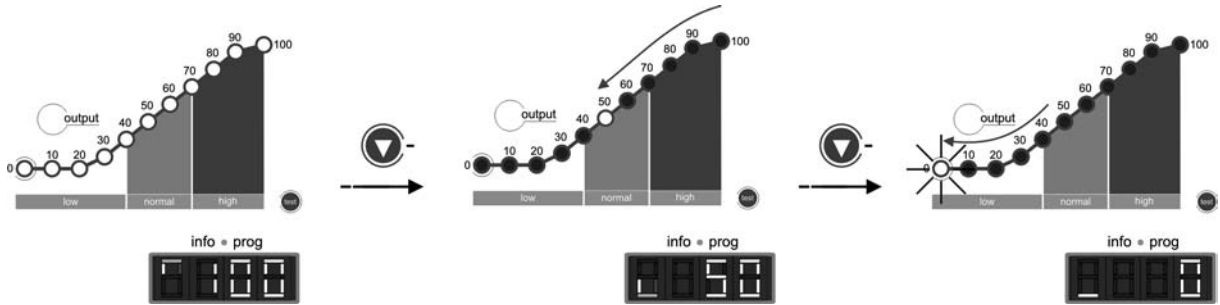


Fig. 21

5.2. **System configuration**

The DOMOTIC Series system can be reconfigured through a menu accessed from the control panel. The system has to be switched off, as described in point 5.1, in order to access this menu. Once the system has been switched off, press the “▼” [1] key for a few seconds until the system information screen [11] displays “CONF”. To enable selection of each menu option, keep the “SALT TEST” [9] key pressed for approximately 1 second. Select the desired parameter using the “▼” [1] / “▲” [14] keys and validate by pressing the “SALT TEST” [9] key for one second again (see Fig. 23). The configuration process enables you to establish the following operative parameters:

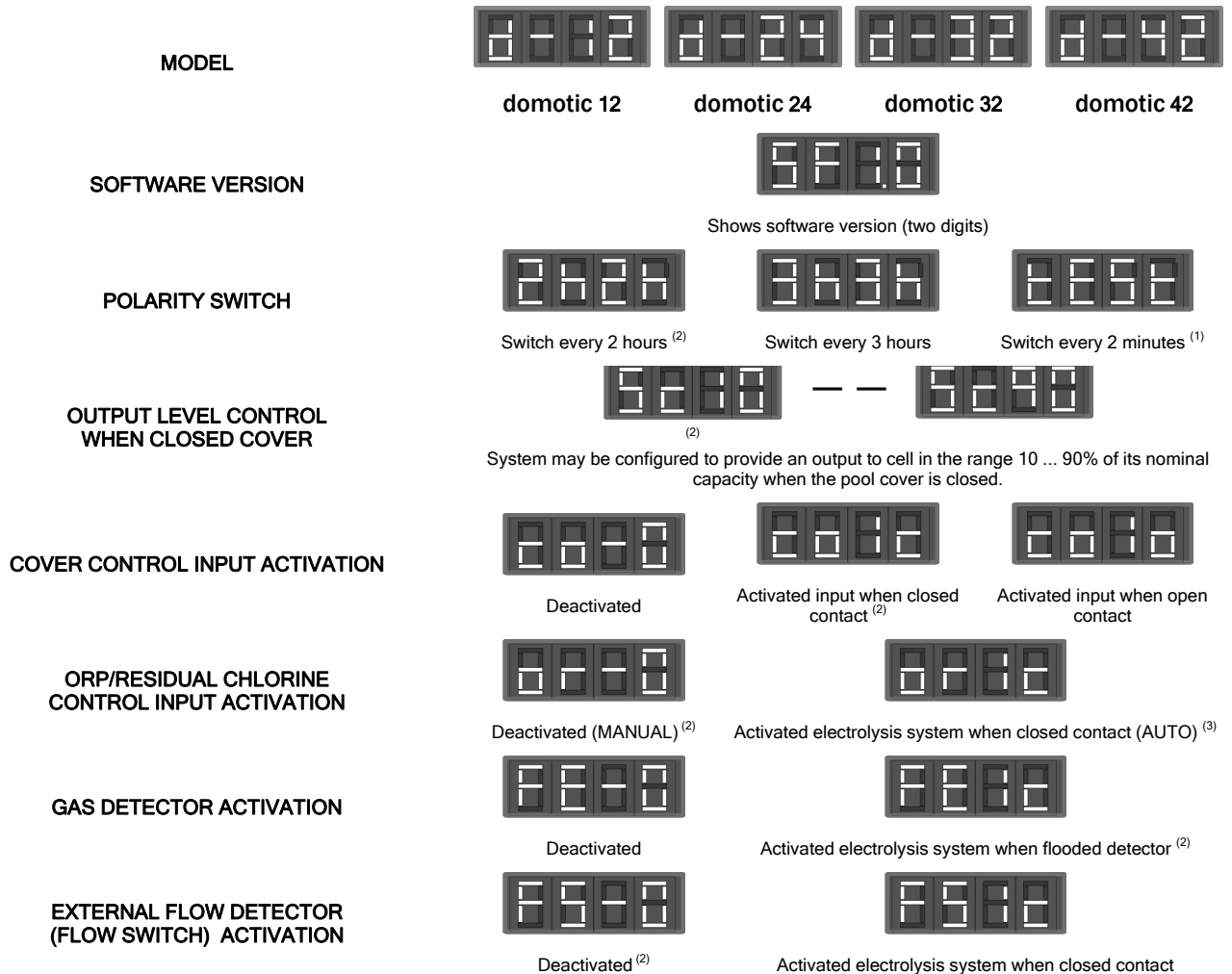


Fig. 22

⁽¹⁾ **WARNING:** only use this mode for check tasks, for short periods of time, as it could damage the electrodes. This mode is cancelled when the system is switched off.
⁽²⁾ Factory defaults.
⁽³⁾ Factory default value in DOM-XX PLUS systems.

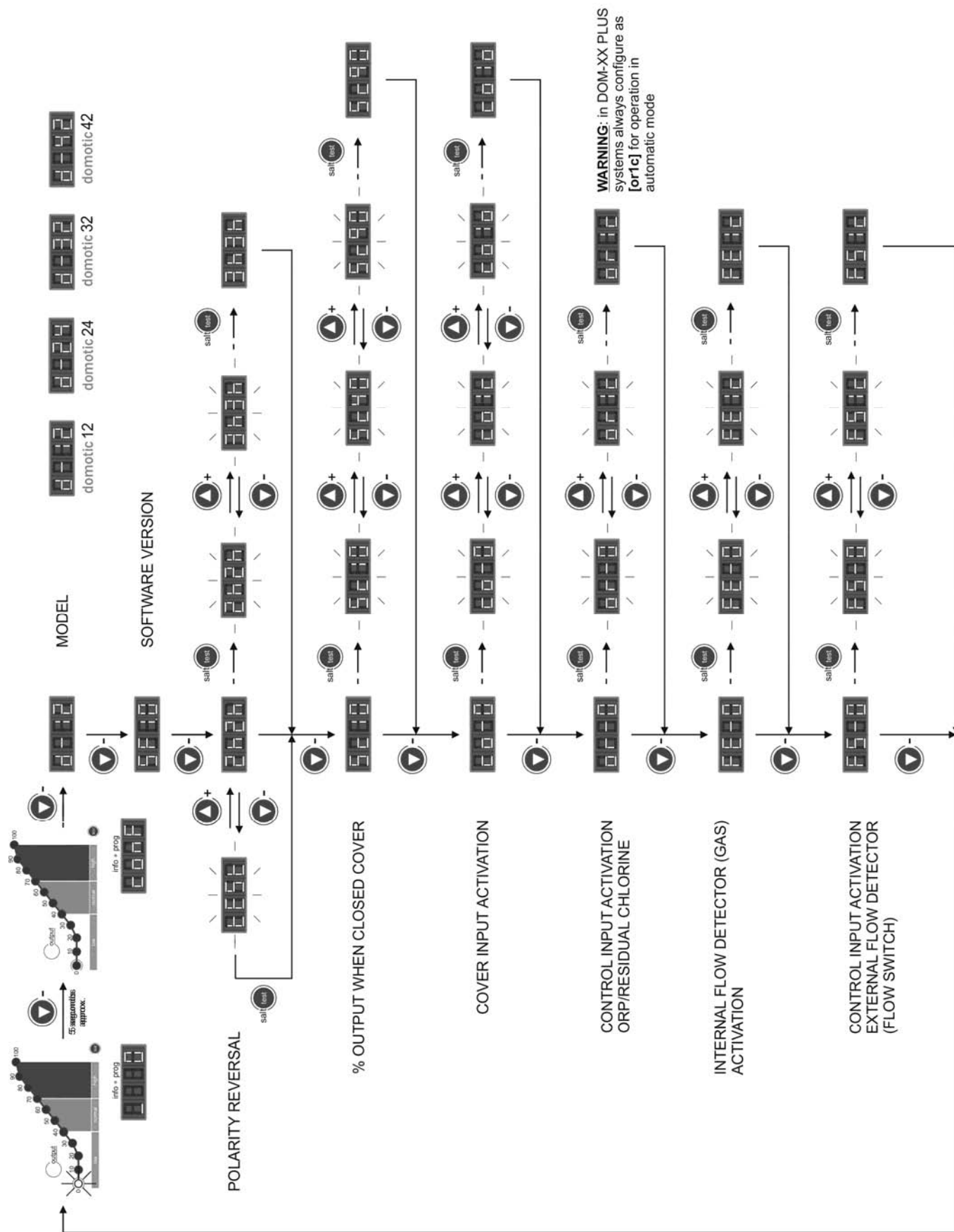


Fig. 23 System programming flow-sheet.

5.3. Production level selection

To select the desired production level, press the “▼” [1] / “▲” [14] keys until the production level light blinks. The system information screen [11] will display the value of the production scale light [4]. The system will set its production to the desired level after a few seconds.

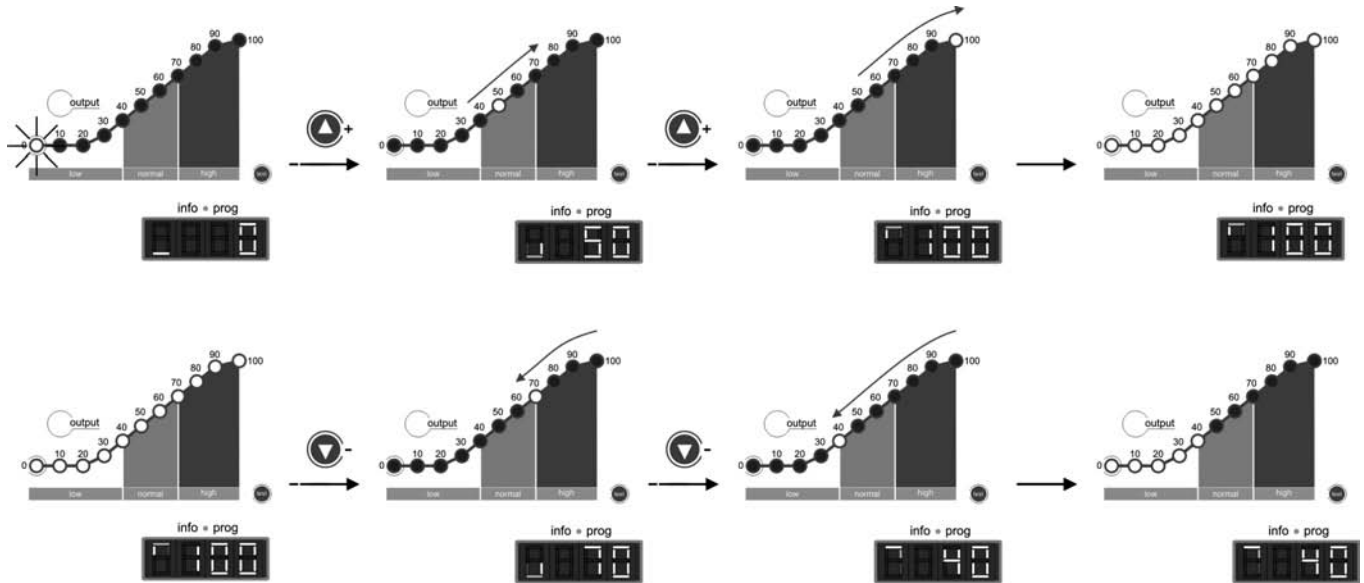



Fig. 24

In normal conditions, the production value [4] should be the same as the programmed value. However, if the salt level in the water is outside the permitted range (“HIGH SALT” [7] or “LOW SALT” [6] alarms on), or there is a problem in the electrolysis cell (“ELECTRODES” [13] alarm on), the production value [4] could be lower than the programmed and displayed value [11].

 **WINTER Mode:** during periods of low water temperature select a production level [1] in the 50-60% range.

5.4. Salinity test

The DOMOTIC Series systems have an integrated system to detect the salinity level of pool water. To run the test, press the “SALT TEST” [9] key. During the test, the production light will range from 20%-80% of the salinity scale [5], alternately displaying “SALT” and “TEST” on the system information screen [11]. Once the test is completed, the light will blink for a few seconds on the scale [5] on the detected salinity value (see Fig. 25). The equipment will return to normal operating mode after a few seconds.

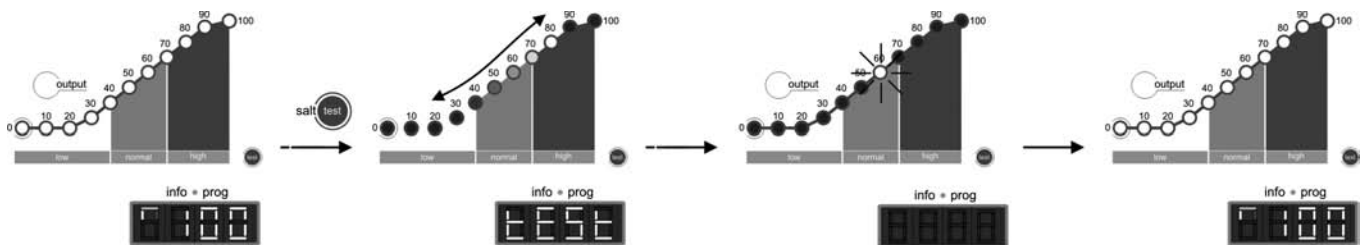


Fig. 25

The system might show lower than actual salt levels if the temperature falls beneath 20°C (68 °F).

5.5. Integrated pH controller (DOM-XXPH)

The integrated pH / ORP controller is supplied with a default factory calibration and programmed with the following parameters:

SETPOINT pH="7.2" / ORP="700 mV"

IMPORTANT: In order to have a correct regulation of the pH value, the Total Alkalinity of the pool water must be maintained in the range 60-120 ppm CaCO₃. Use a pool water test kit to check the Total Alkalinity and adjust manually if necessary.

5.5.1. CONNECTION OF THE PH / ORP SENSORS (models DOM-XX PH and DOM-XX PLUS)

Connect the pH / ORP sensor provided with the unit to the corresponding BNC connectors located in the unit's base (Fig. 26).

5.5.2. CONNECTION OF THE DOSAGE PUMP

The DOMOTIC Series systems (DOM-XXPH and DOM-XX PLUS) have a connector on their base for connecting a dosage pump to control the pH of the water in the pool. The dosage pump can be connected through the CEE22 connector supplied for that purpose with the equipment (Fig. 26).

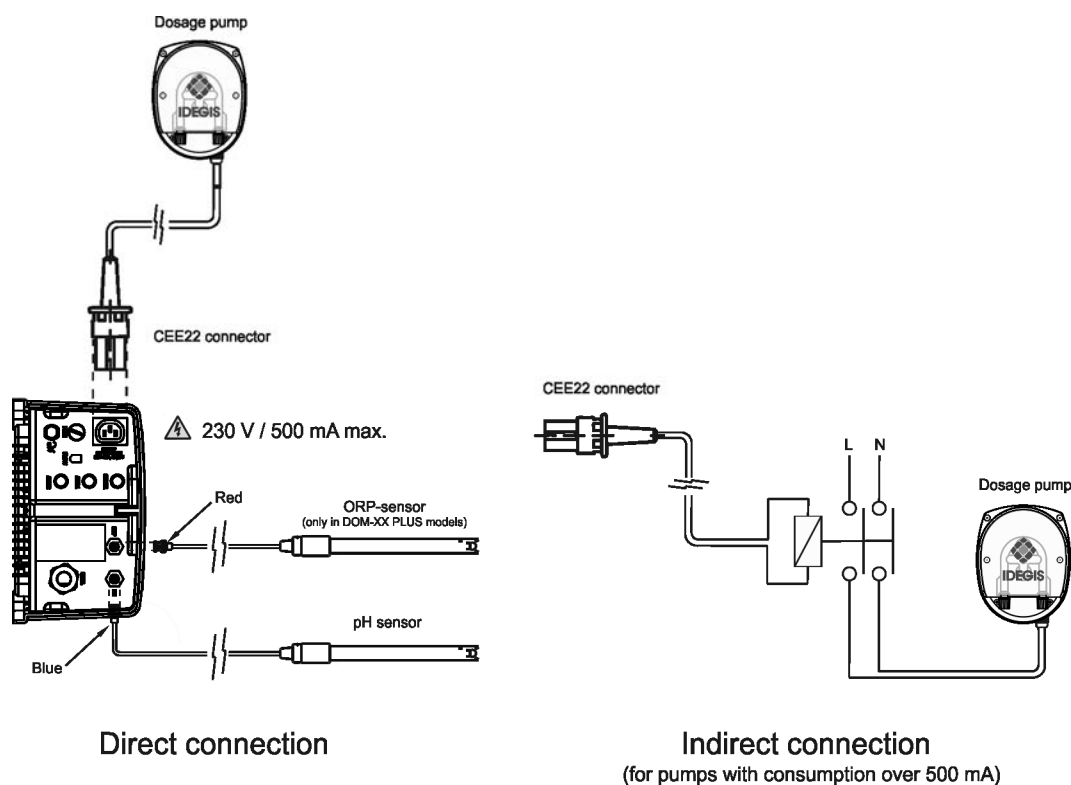


Fig. 26

5.5.3. PH SETPOINT PROGRAMMING

Keep the "SET" [20] key pressed until the screen [18] displays the desired pH value within the 7.0 - 7.8 range. Release after selection.

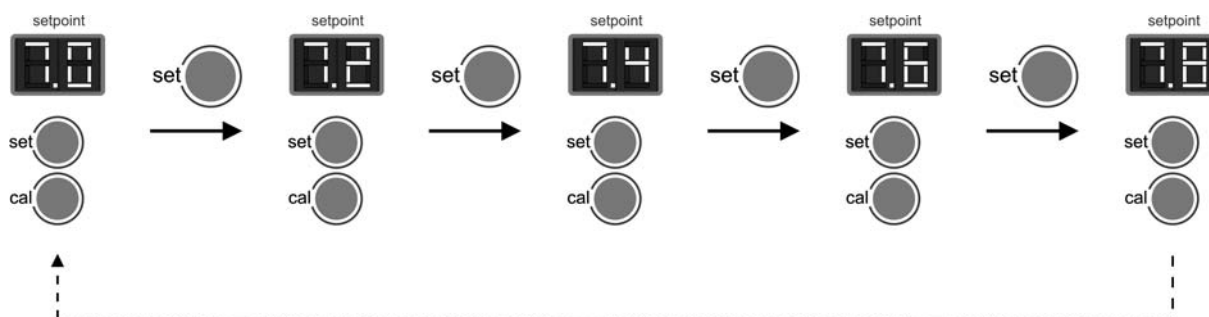


Fig. 27

5.5.4. ORP SETPOINT PROGRAMMING (only in models DOM-XX PLUS)

Keep the "SET" [26] key pressed until the light displays the desired ORP value within the 600 - 850 mV range. Release after selection.

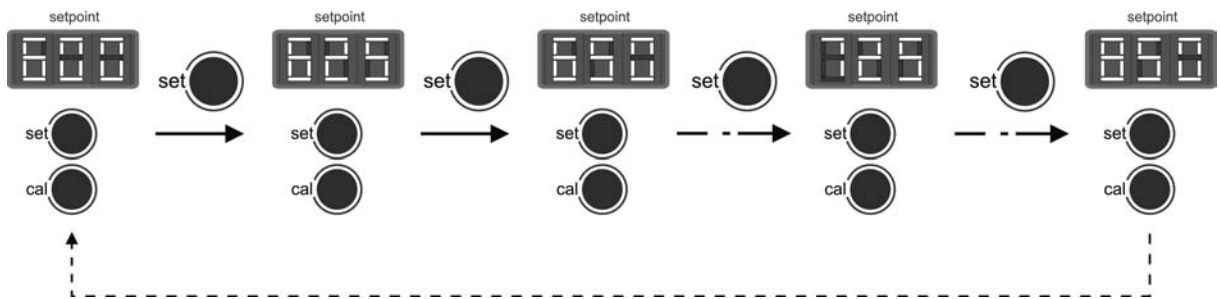


Fig. 27b

5.5.5. SAFETY STOP CONFIGURATION OF THE DOSAGE PUMP (PUMP-STOP FUNCTION)

The integrated pH controller has a security system (PUMP-STOP FUNCTION) acting on the dosage pump which allows to avoid the following situations:

- Damages caused by the dry operation of pump (depleted pH-minus product).
- Over-dosage of pH-minus product (damaged or aged sensor).
- PH regulation problems due to high alkalinity in the water (newly filled pool, high carbonate levels).

When the PUMP-STOP FUNCTION is enabled (factory default), the system stops the dosage pump after a programmed time without having reached the pH setpoint.

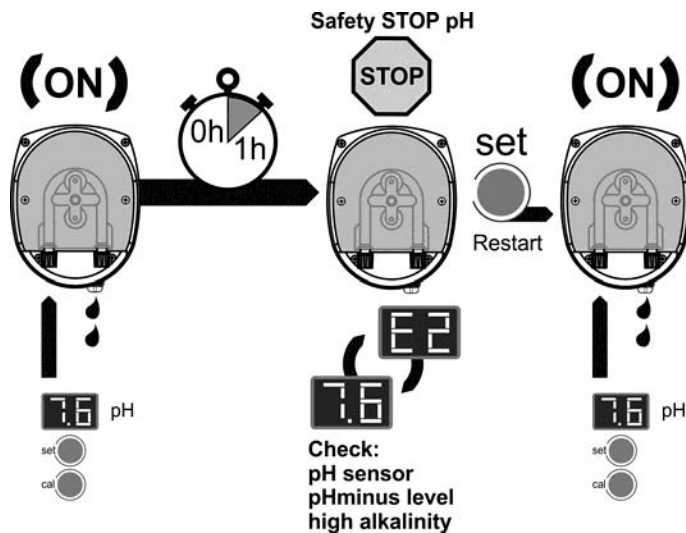


Fig. 27c.

The PUMP-STOP FUNCTION is factory set to 60 minutes. To change this value, follow the next procedure.

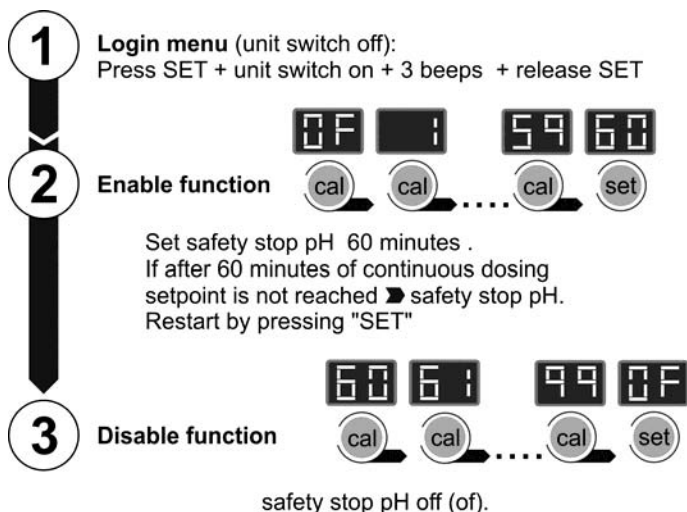


Fig. 27d.

5.6. Alarms

• **HIGH SALT LEVEL**

If too much salt has been added, the production level will automatically fall beneath the selected level. The "HIGH SALT" [7] light will stay on. In this case, empty part of the pool (10%, for instance) and add fresh water to reduce the salt concentration. To precisely measure the salt level, we recommend the use of a portable salinity-temperature meter

• **LOW SALT LEVEL**

If there is less than the recommended salt content in the pool, the selected output level cannot be reached. The "LOW SALT" [6] light will stay on. In this case, measure the salt level in the water and add the required amount of salt. The common salt (NaCl) used for electrolysis should not contain additives (anti-caking agents, iodine) and must be suitable for human consumption. The system may indicate a low salt level if the temperature falls beneath 20°C (68 °F). To precisely measure the salt level, we recommend the use of a portable salinity-temperature meter.

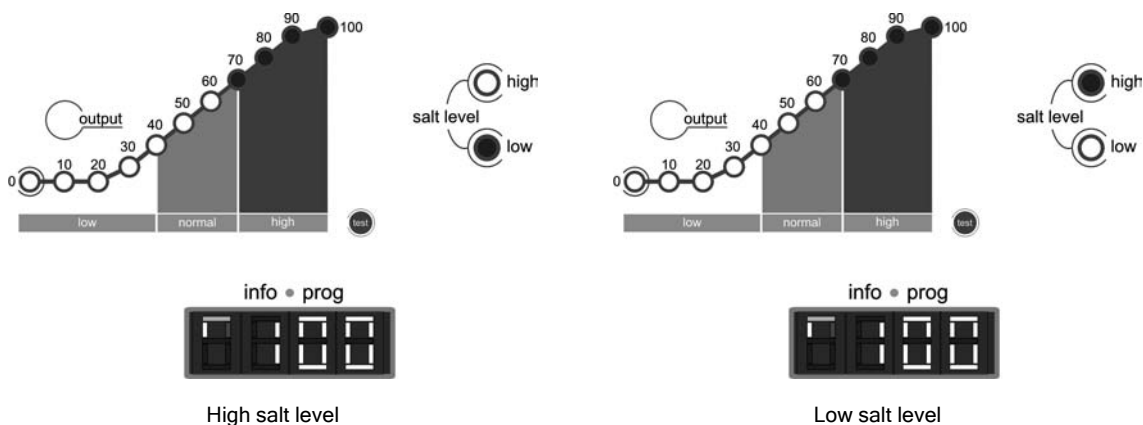
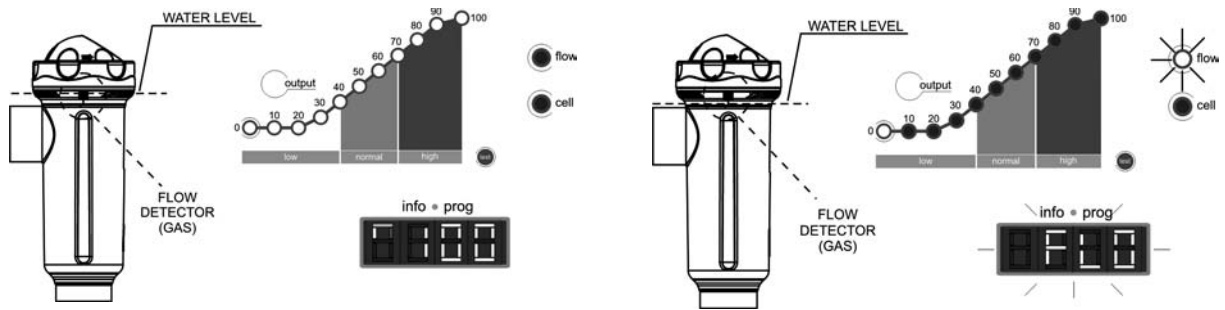


Fig. 28

- **WATER LEVEL IN CELL/FLOW DETECTOR (GAS)**

If an air or gas bubble forms at the top of the electrolysis cell and the FLOW DETECTOR is not submerged, the system will automatically switch off production, with the "FLOW" [12] light blinking and "FLO" displayed on the system information screen [11]. The system automatically resets when water flows through the cell again or the bubble disappears.



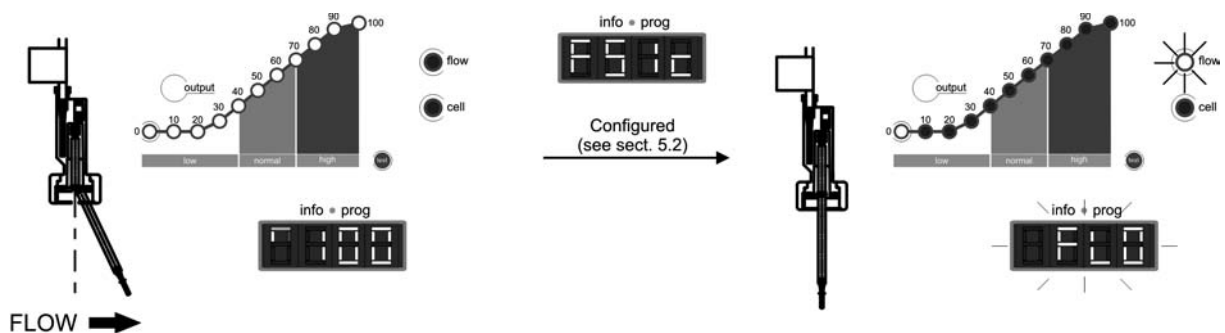
1. Submerged gas detector. System running.

2. Gas detected. Insufficient flow. System off.

Fig. 29

- **OPTIONAL EXTERNAL FLOW DETECTOR / FLOW SWITCH (not included with the equipment)**

During the system configuration process (point 5.2), the input for the external flow switch is activated (factory-programmed default value), the system will automatically switch off production, with the "FLOW" [12] light blinking, and "FLO" displayed on the system information screen [11]. The system automatically resets whenever water starts to flow through the flow switch again.



1. Activated flow detector (contact closed). System running.

2. Flow detector at rest (contact open). System off.

Fig. 30

- ELECTRODES**

The DOMOTIC Series system has a light indicating malfunction of the electrolysis cell electrodes [13]. This usually occurs at the end of the electrodes 'useful life, when they lose their power. However, although this is a self-cleaning system, this malfunction could also be due to excessive scaling on the electrodes when the system operates with hard water with a high pH value.

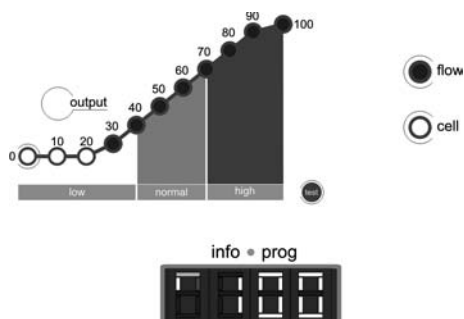


Fig. 31A

- OPERATING TIME (firmware version 3.3.0 and subsequent versions)**

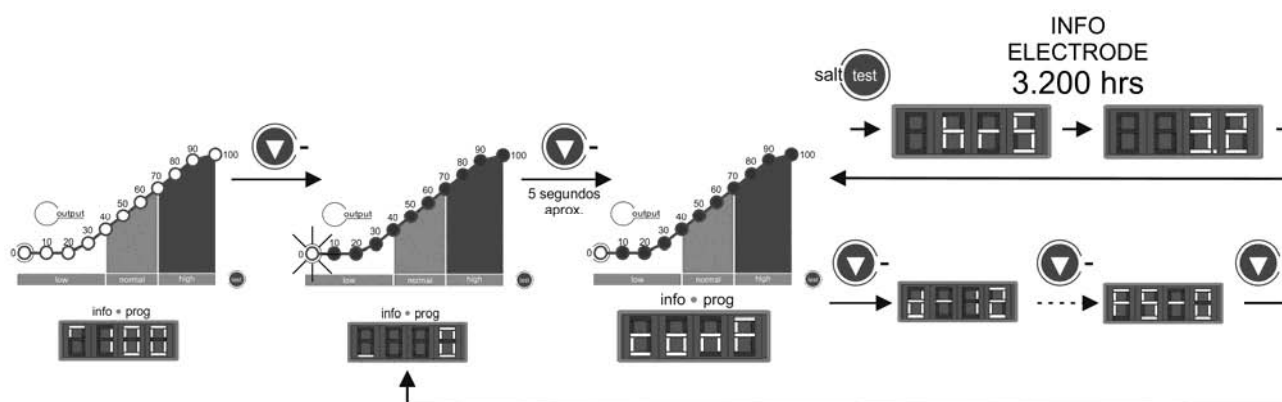


Fig. 31B

- PH / ORP OUT OF RANGE (only in models DOM-XX PH and DOM-XX PLUS)**

The integrated pH/ORP control system has two ALARM lights which come on whenever a pH value of less than 6.5 "LOW" [19] or more than 8.5 "HIGH" [16] is detected, or ORP falls outside the 600 mV "LOW" [25] - 850 mV "HIGH" [22] range. When the regulator detects an active pH alarm, it opens the control output of the dosage pump (pH).

6. MAINTENANCE:

6.1. Maintenance of the electrolysis cell

The electrolysis cell must be kept in suitable conditions to ensure a long lifetime. This salt chlorination unit has an automatic electrode cleaning system that helps to prevent scale build-up on the electrode surface. If the salt chlorination system is operated in accordance with these instructions, and in particular if the pool water balance is kept within the recommended parameters, it should not be necessary to manually clean the electrodes. However, if the pool water and the salt chlorination system are not maintained in line with these instructions then it may be necessary to manually clean the electrodes following the procedure outlined below:

1. Cut off the 230 Vac unit's supply.
2. Unscrew the closing nut located at the end where the electrodes are located, and remove the electrode package.
3. Use diluted hydrochloric acid (a part of commercial acid in 10 parts of water), submerging the electrode package in the prepared solution for no more than 10 minutes.
4. NEVER SCRAPE OR SWEEP THE CELL OR THE ELECTRODES.

The electrodes of a salt chlorination system comprise of a titanium sheet coated with a layer of noble metal oxides. The electrolysis processes that take place on their surface produce a progressive wearing down - the electrodes do have a finite life. In order to optimise electrode lifetime, please consider the following aspects:

1. Although all DOMOTIC series salt electrolysis units are SELF-CLEANING, a prolonged operation of the system at pH values over 7.6 in waters of high hardness can produce scale formation on the surface of the electrodes. Scaling on the electrodes surface will progressively deteriorate the coating, causing a decrease of lifetime.
2. Manually cleaning/washing the electrodes (as described above) will shorten their life.
3. Prolonged operation of the system at salinities lower than 3 g/l (3000 ppm) will cause a premature deterioration of the electrodes.
4. Frequent use of copper based algacides will promote the formation of copper deposits on the electrodes, progressively damaging the coating. Remember that chlorine is the best algicide.

6.2. Calibration of the pH sensor (only in DOM-XX PH and DOM-XX PLUS models)

The integrated pH-controller has two calibration modes of the pH-sensor: "FAST" and "STANDARD". We recommend carrying out it at least once a month during the period of use of the swimming pool.

6.2.1. "FAST" MODE

"FAST" MODE allows the calibration of the pH-sensor when there are small reading deviations **with no need to extract the sensor from the installation or to use calibration solutions**.

PROCEDURE:

1. Be sure the point of insertion of the pH-sensor is flooded, and the pump is in recirculation.
2. Using a pH-test kit, measure the water pH of the swimming pool.
3. Press the "CAL" [17] key for approx. 5 seconds until the equipment beeps and release the key. The pH [18], screen will blink "7.0".
4. Keep the "SET" [20] key pressed until the pH-value previously measured in the water with the pH-test kit appears. Once reached, loosen and press "CAL" [17] key. If no error has been detected, the system will have been calibrated.

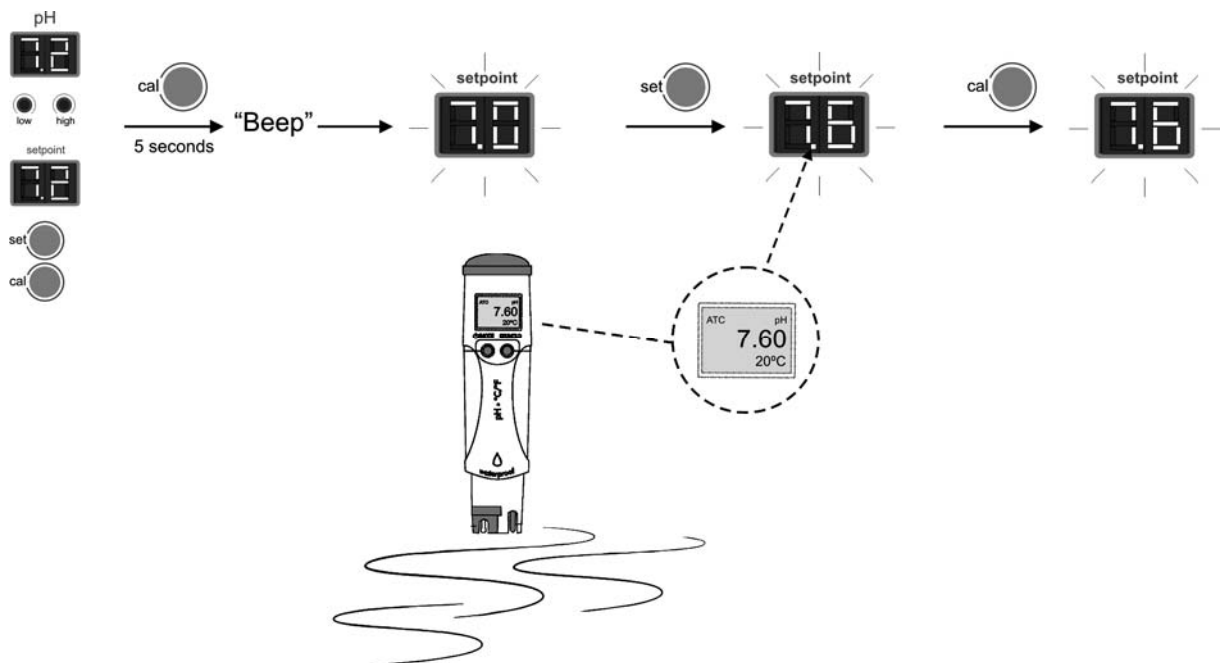


Fig. 32

6.2.2. "STANDARD" MODE

"STANDARD" MODE allows the precise calibration of the pH-sensor using two calibration solutions of pH 7.0 and 4.0, however this method requires that the **pH-sensor is removed from the installation**.

PROCEDURE:

IMPORTANT: before closing the by-pass valves, stop the system from control panel (see Section 5.1).

1. Extract the pH-sensor from the holder and wash it with tap water.

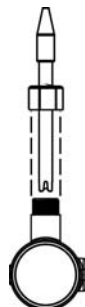


Fig. 33

2. Press the "CAL" [17] key the equipment beeps and without releasing the key, press "SET" [20] for a few seconds until the pH screen [15] displays a blinking "7.0".
3. Gently shake the sensor to remove any possible drops of water and insert in the standard pH=7.0 solution (green). Gently shake for a few seconds and press "CAL" [17]. Once stabilised, the screen [15] will display a blinking "4.0".

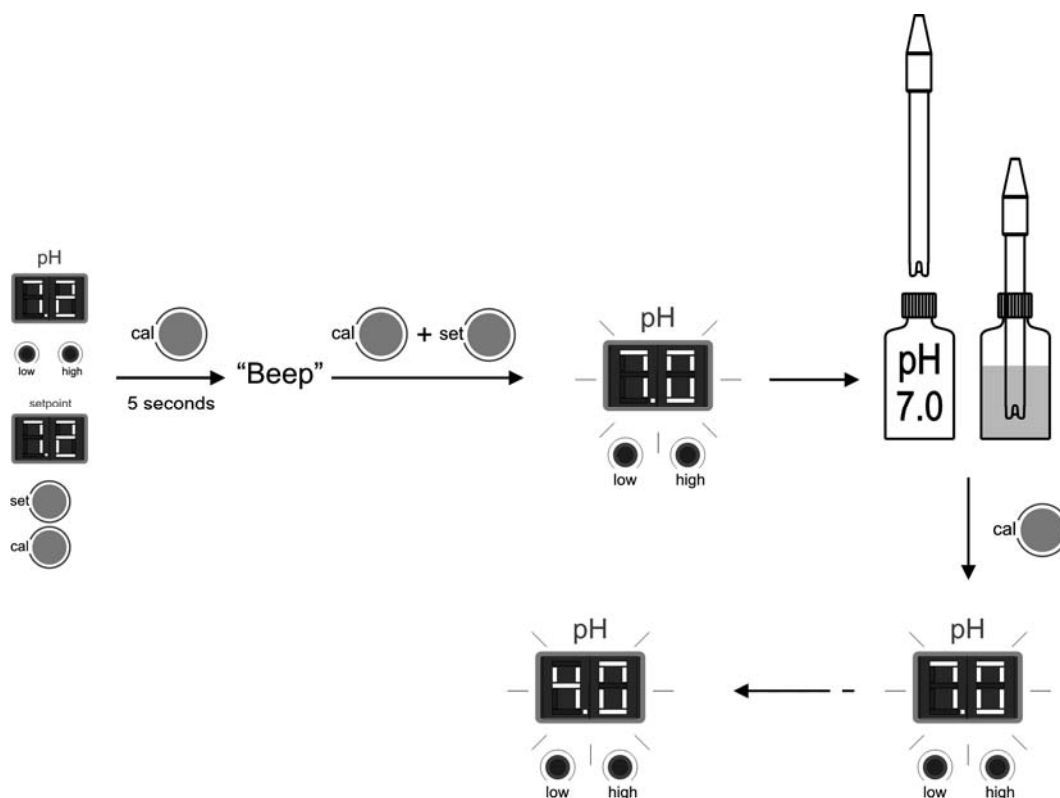


Fig. 34

4. Remove the sensor from the calibration solution and rinse it with tap water.
5. Shake the sensor smoothly so that any drops of water that may be adhered to the plastic body are removed and introduce it in the calibration solution pH=4.0 (red colour). Shake smoothly for a few seconds and press "CAL" [17] key. Once the measurement has stabilised, the pH-controller will automatically leave the calibration mode and will be operative.

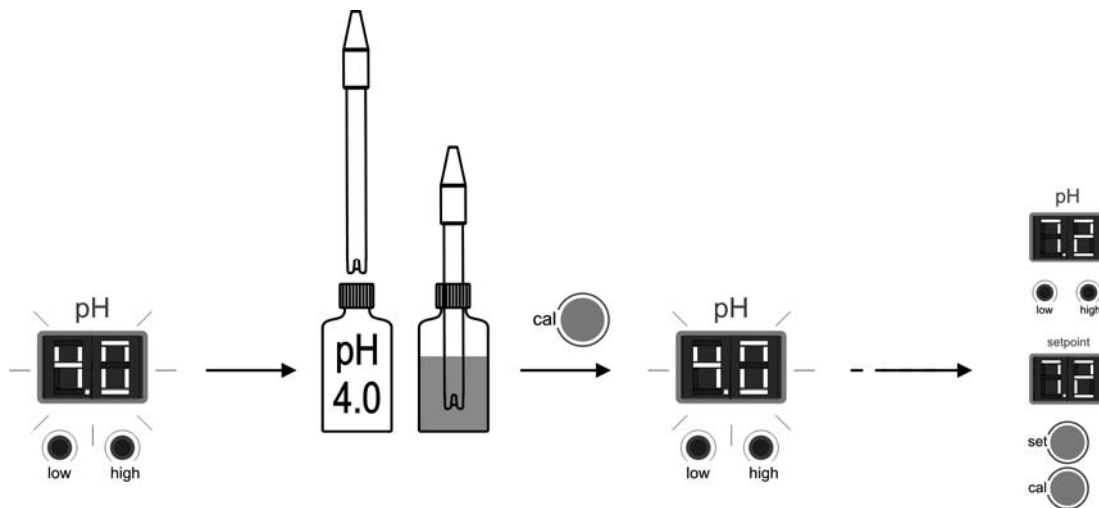


Fig. 35

ERROR MESSAGES:



If the calibration process is interrupted for whatever reason, the pH-controller will automatically leave the calibration mode if the intervention of the user is not detected in a few seconds. In this case, "E1" indication in the display [15] will appear.

If the pH value during the calibration process is very different from the expected one, (e.g., defective sensor, etc.), display [15] will indicate "E2", not allowing calibration.

If the pH measure is unstable during the calibration process, code "E3" will appear in display [15]. In addition, the pH-sensor calibration will not be allowed.

6.3. Calibration of the ORP sensor (only in DOM-XX PLUS models)

The calibration frequency of the controller will be determined in each particular application. Nevertheless, we recommend to make it at least, once a month during the use period of the pool. The ORP controller has an automatic calibration system for the ORP sensors based on the utilisation of a 470 mV reference solution.

PROCEDURE:

IMPORTANT: before closing the by-pass valves, stop system from control panel (see Section 5.1).

1. Extract the ORP sensor from the holder and wash it with tap water.

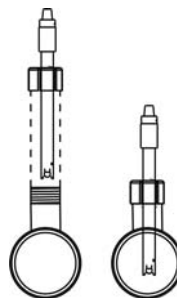


Fig. 36

2. Press "CAL" [23] key for a few seconds, until the ORP display [24] blinks and indicates "470".
3. Shake the sensor smoothly so that any water drops that may be adhered to the plastic body are removed and introduce it to the calibration solution (470 mV). Shake smoothly for a few seconds and press "CAL" [23] key. If the process has concluded satisfactorily, a long "beep" will be listened and the controller will be calibrated and ready to operate.

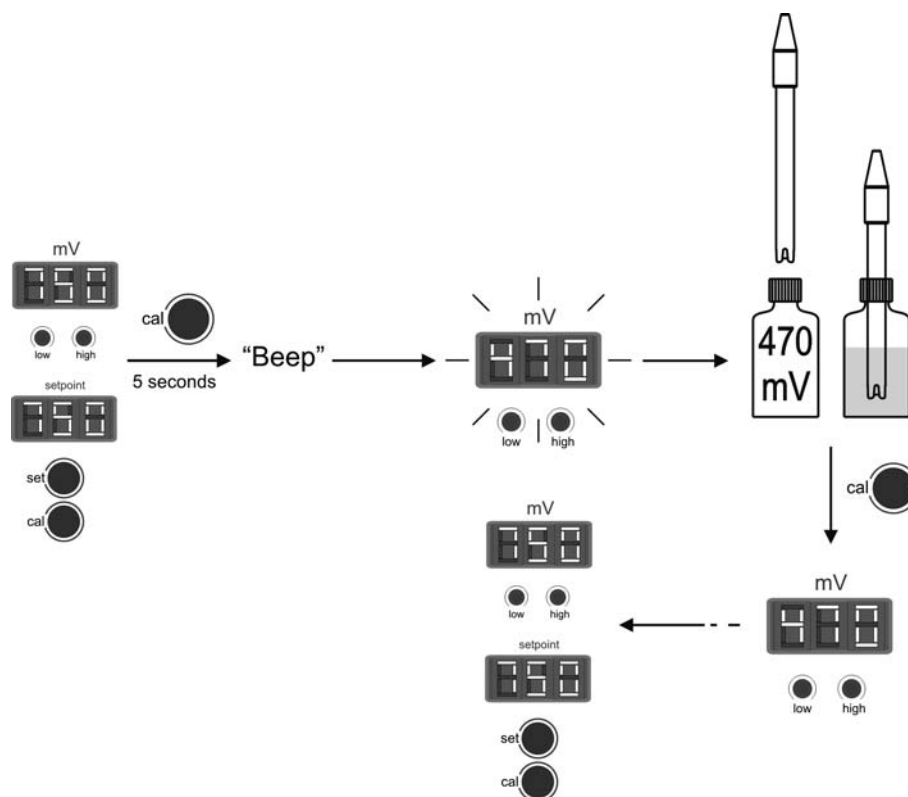
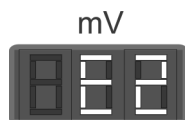


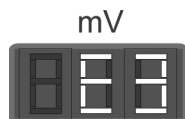
Fig. 37

ERROR MESSAGES:

If the calibration process is interrupted for whatever reason, the ORP controller will automatically leave the calibration mode if the intervention of the user is not detected in a few seconds. In this case, "E1" indication in display [21] will appear.



If the ORP value during the calibration process is very different from the expected one, (e.g., defective sensor, etc.), display [21] will indicate "E2", not allowing calibration.



If the ORP measure is unstable during the calibration process, code "E3" will appear in display [21]. In addition, the sensor calibration will not be allowed.

6.4. pH / ORP sensors maintenance

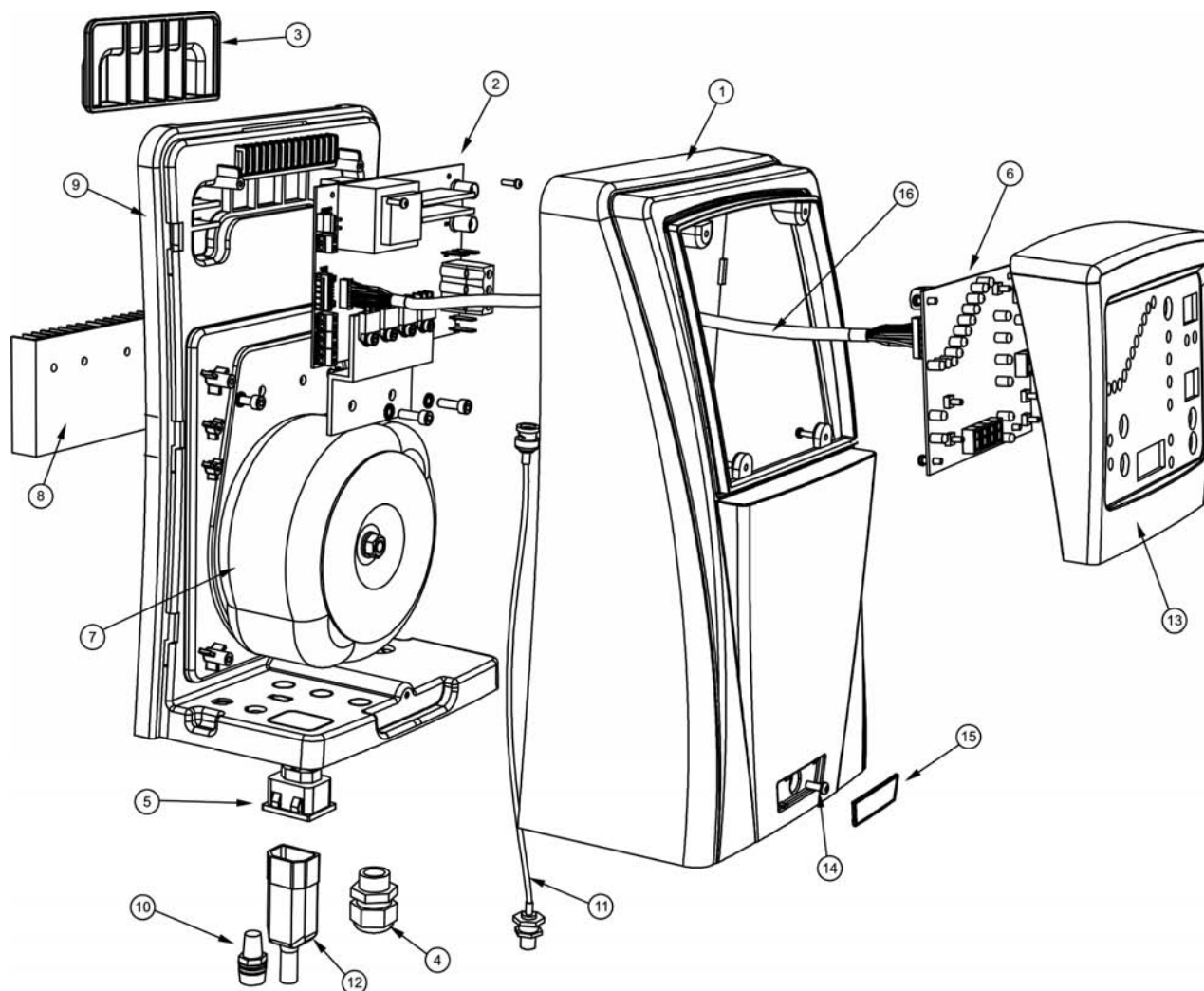
1. Ensure that the sensor membrane remains moist all the time.
2. If the sensor is not going to be used for a long period, keep it submerged in a pH=4.0 conservation solution.
3. To clean the sensor, avoid the use of abrasive materials that can scratch the sensor surface.
4. **The pH/ORP sensor is a consumable part and will need to be replaced over a period of time.**

7. TROUBLESHOOTING: _____

Any action required to solve possible problems in the equipment should always be performed with the equipment disconnected from the mains. Any problem not indicated in the following list should be solved by an IDEGIS technician.

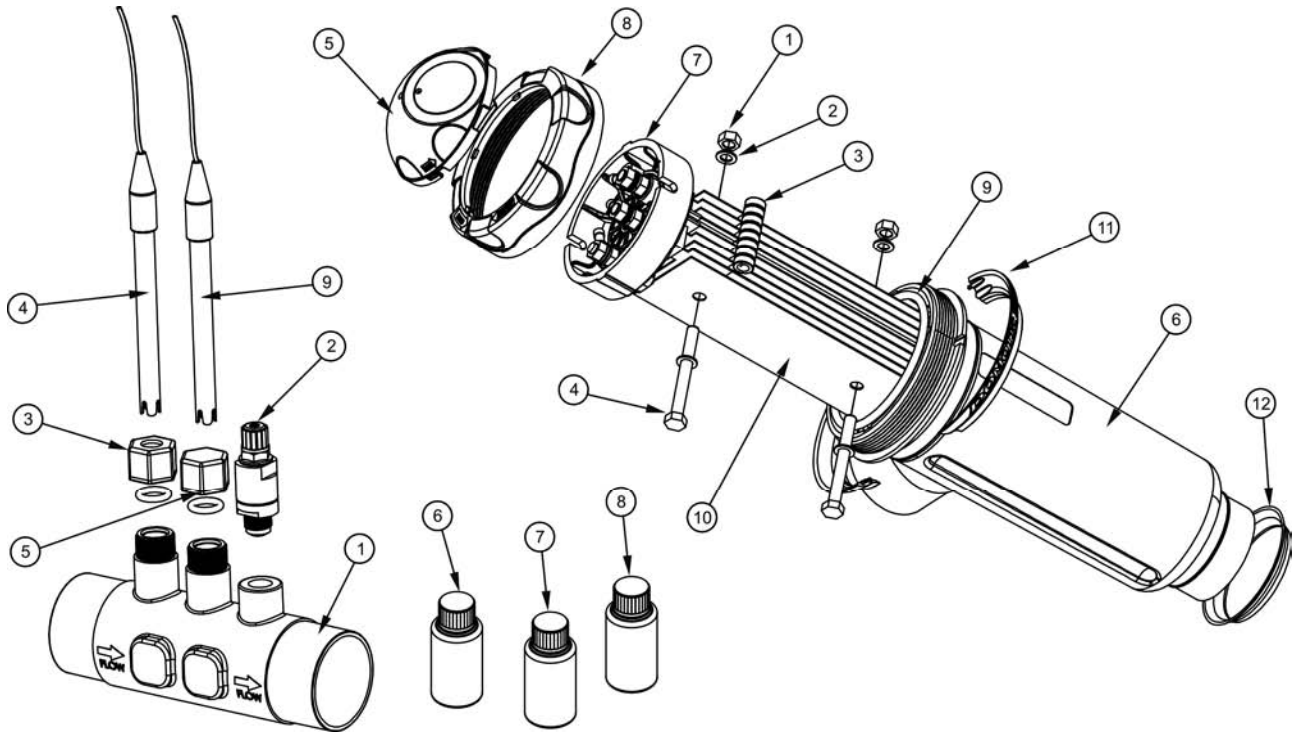
PROBLEM	SOLUTION
Production indicator always indicates "0" at all production levels	<p>Check electrodes.</p> <p>Verify connections between power supply and the electrolysis cell.</p> <p>Check salt concentration.</p>
The power supply is not turned on.	<p>Check the system is properly connected to 230 V/50-60 Hz in the command box of the pump.</p> <p>Check the state of the fuse located at the bottom of the power supply.</p>
Free chlorine levels in the water are very low.	<p>Check that the system produces chlorine in pool jets.</p> <p>Verify that the water Chemicals parameters (pH, combined chlorine, isocyanuric acid, etc.) are correct.</p> <p>Increase filtering time.</p> <p>Add chlorine stabilizer (cyanuric acid) until a concentration of 25 - 30 g/m³ is achieved.</p>
pH/ORP controller always show extreme values, or readings are unstable.	<p>The cable of the pH/ORP sensor is damaged. Clean the contacts or replace the cable.</p> <p>The pH/ORP sensor has an air bubble in the membrane area. Hold the sensor in vertical position. Shake it lightly until the bubble moves up.</p> <p>Sensor fault. The connection cable is too long or it is too near to sources of electrical interference (motors, etc.). Replace the sensor. Locate the unit nearer to the sensor.</p>
Impossible calibration of the pH/ORP sensor	<p>Polluted or expired calibration solution.</p> <p>Blocked sensor membrane. Check the membrane is not damaged. Clean the sensor with diluted acid in water, shaking it lightly.</p> <p>Sensor fault. Replace the sensor.</p>
Slow response of the pH/ORP sensor	<p>Sensor electrostatically charged. During the calibration phase, the sensors should not be dried with paper or cloth. Clean it exclusively with water and shake it lightly.</p> <p>Insufficient renovation of the analyzed water (no flow through the sample point). Ensure that the tip of the sensor is submerged in the water at the sample point, and that no air bubbles are present.</p>

8. COMPONENTS:



POWER SUPPLY

ID	CODE	DESCRIPTION	DOM 12	DOM 24	DOM 32	DOM 42	DOM 12 PH	DOM 24 PH	DOM 32 PH	DOM 42 PH	DOM 12 PLUS	DOM 24 PLUS	DOM 32 PLUS	DOM 42 PLUS	NUM.
1	DOM00-13	Power supply cover	X	X	X	X	X	X	X	X	X	X	X	X	1
2	DOM10-03	Power card AC-12	X												1
2	DOM18-03	Power card AC-22		X											1
2	DOM25-03	Power card AC-30			X										1
2	DOM40-03	Power card AC-7				X									1
2	DOM10-04	Power card AC-12/PH					X								1
2	DOM18-04	Power card AC-22/PH						X							1
2	DOM25-04	Power card AC-30/PH							X						1
2	DOM40-04	Power card AC-7/PH/ORP								X					1
2	DOM10-05	Power card AC-12/PH/ORP									X				1
2	DOM18-05	Power card AC-22/PH/ORP										X			1
2	DOM25-05	Power card AC-30/PH/ORP											X		1
2	DOM40-05	Power card AC-7/PH/ORP												X	1
3	DOM00-14	Wall fixation	X	X	X	X	X	X	X	X	X	X	X	X	1
4	DOM00-03	Cable gland M20	X	X	X	X	X	X	X	X	X	X	X	X	1
5	DOM00-04	CEE22 F connector external pH pump					X	X	X	X	X	X	X	X	1
6	DOM00-05	Electrolysis display card	X	X	X	X									1
6	DOM00-15	Electrolysis/pH display card					X	X	X	X					1
6	DOM00-26	Electrolysis/PH/ORP display card									X	X	X	X	1
7	DOM10-02	Power transformer 190 VA	X				X				X				1
7	DOM18-02	Power transformer 370 VA		X				X				X			1
7	DOM25-02	Power transformer 480 VA			X				X				X		1
7	DOM40-02	Power transformer 490 VA				X				X				X	1
8	DOM00-07	External heat sink	X	X	X	X	X	X	X	X	X	X	X	X	1
9	DOM00-16	Internal controllers structure	X	X	X	X	X	X	X	X	X	X	X	X	1
10	DOM00-09	Fuse holder	X	X	X	X	X	X	X	X	X	X	X	X	1
11	DOM00-10	Internal BNC cable					1	1	1	1	2	2	2	2	1
12	DOM00-11	CEE22 M connector external pump					X	X	X	X	X	X	X	X	1
13	DOM00-17	Frontal cover of the control terminal	X	X	X	X	X	X	X	X	X	X	X	X	1
14	DOM00-18	Power supply cover fixation screw	X	X	X	X	X	X	X	X	X	X	X	X	1
15	DOM00-19	Fixation screw embellisher	X	X	X	X	X	X	X	X	X	X	X	X	1
16	DOM00-20	Power card-display card	X	X	X	X	X	X	X	X	X	X	X	X	1



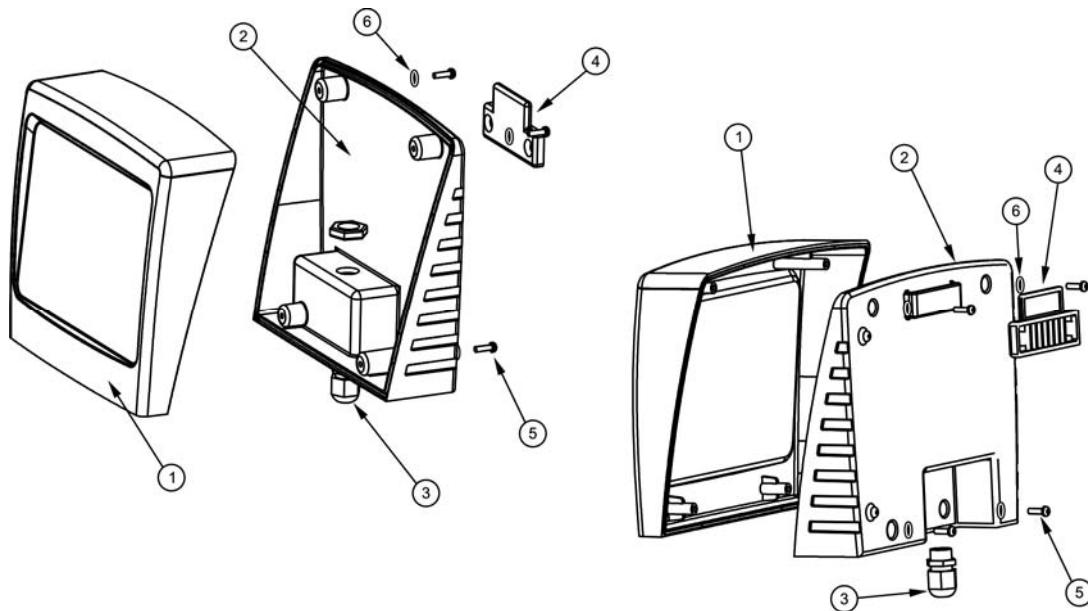
SENSOR HOLDER

ID	CODE	DESCRIPTION	DOM 12	DOM 24	DOM 32	DOM 42	DOM 12 PH	DOM 24 PH	DOM 32 PH	DOM 42 PH	DOM 12 PLUS	DOM 24 PLUS	DOM 32 PLUS	DOM 42 PLUS	NUM.
1	R-127	Sensor holder					X	X	X	X	X	X	X	X	1
2	R-035	pH-minus injection valve 3/8" *					X	X	X	X	X	X	X	X	1
3	R-028	Connector PE 12 mm					1	1	1	1	2	2	2	2	1
4	H-035	pH sensor					X	X	X	X	X	X	X	X	1
5	R-127-01	Plug M25 H					X	X	X	X					1
6	R-025	Calibration solution pH 7.0 (green)					X	X	X	X	X	X	X	X	1
7	R-026	Calibration solution pH 4.0 (red)					X	X	X	X	X	X	X	X	1
8	R-027	Calibration solution ORP (470 mV)									X	X	X	X	1
9	RX-02	ORP EX sensor									X	X	X	X	1

* not included with the equipment

ELECTROLYSIS CELL

ID	CODE	DESCRIPTION	DOM 12	DOM 24	DOM 32	DOM 42	DOM 12 PH	DOM 24 PH	DOM 32 PH	DOM 42 PH	DOM 12 PLUS	DOM 24 PLUS	DOM 32 PLUS	DOM 42 PLUS	CANT
1	R-015-04	Electrodes M8 Nylon nut	X	X	X	X	X	X	X	X	X	X	X	X	1
2	R-015-02	1 mm thickness PP M8 washer	X	X	X	X	X	X	X	X	X	X	X	X	1
3	R-015-03	Electrodes PP divider	X	X	X	X	X	X	X	X	X	X	X	X	1
4	R-015-01	Electrode-holder PP M8 screw	X	X	X	X	X	X	X	X	X	X	X	X	1
5	R-303	Contact protection cover	X	X	X		X	X	X		X	X	X		1
5	R-015-07	Contact protection cover DOM-42				X				X				X	1
6	R-301	Cell	X	X	X		X	X	X		X	X	X		1
6	R-010	Cell DOM-42				X				X				X	1
7	R-015-05 DOM	DOMOTIC electrode-holder	X	X	X		X	X	X		X	X	X		1
7	R-015-05 BIP	DOM-42 electrode-holder				X				X				X	1
8	R-302	Cell threaded ring	X	X	X		X	X	X		X	X	X		1
8	R-015-06	Cell threaded ring DOM-42				X				X				X	1
9	R-300	Cell joint	X	X	X		X	X	X		X	X	X		1
9	R-015-08	Cell joint DOM-42				X	X			X	X			X	1
10	R-058	DOMOTIC Series 10 electrodes	X				X				X				1
10	R-059	DOMOTIC Series 18 electrodes		X				X				X			1
10	R-060	DOMOTIC Series 25 electrodes			X				X				X		1
10	R-204	DOMOTIC Series 40 electrodes				X				X				X	1
11	R-010-01	Top embellisher ring	X	X	X		X	X	X		X	X	X		1
12	R-010-02	Cell outlet embellisher ring	X	X	X		X	X	X		X	X	X		1



OPTIONAL DETACHABLE TERMINAL (not included with the equipment)

ID	CODE	DESCRIPTION	DOM	DOM	DOM	DOM	DOM	DOM	DOM	DOM	DOM	DOM	DOM	NUM.
			12	24	32	42	12	24	32	42	12	24	32	
			PH	PH	PH	PH	PH	PH	PLUS	PLUS	PLUS	PLUS		
1	DOM00-021	Cap	X	X	X	X	X	X	X	X	X	X	X	1
2	DOM00-022	Visualization box base	X	X	X	X	X	X	X	X	X	X	X	1
3	DOM00-023	Cable gland M12	X	X	X	X	X	X	X	X	X	X	X	1
4	DOM00-024	Wall fixation	X	X	X	X	X	X	X	X	X	X	X	1
5	DOM00-025	3x8 mm fixation screw	X	X	X	X	X	X	X	X	X	X	X	4
6	DOM00-025	Screw joint	X	X	X	X	X	X	X	X	X	X	X	4

9. TECHNICAL CHARACTERISTICS:

TECHNICAL SPECIFICATIONS:

Standard working voltage
 230V AC - 50/60 Hz.
 Cable: 3 x 1,0 mm², leng. 2 m.
 Domotic Series 12 0.36 A
 Domotic Series 24 0.72 A
 Domotic Series 32 0.89 A
 Domotic Series 42 0.89 A

Fuse
 Domotic Series 12 2A T (5x20 mm)
 Domotic Series 24 3.15A T (5x20 mm)
 Domotic Series 32 4A T (5x20 mm)
 Domotic Series 42 4A T (5x20 mm)

Output voltage
 8-9 V DC (24 V DC DOM-40)
 Cable 3 x 4 mm², leng. 2 m.
 Domotic Series 12 12 A (2x6 A)
 Domotic Series 24 24 A (2x12 A)
 Domotic Series 32 32 A (2x16 A)
 Domotic Series 42 42 A (6x7 A)

Production
 Domotic Series 12 10 - 12 g./h.
 Domotic Series 24 20 - 24 g./h.
 Domotic Series 32 25 - 32 g./h.
 Domotic Series 42 34 - 42 g./h.

Minimum recirculation flow
 Domotic Series 12 2 m³/h.
 Domotic Series 24 4 m³/h.
 Domotic Series 32 6 m³/h.
 Domotic Series 42 8 m³/h.

Electrode number
 Domotic Series 12 5
 Domotic Series 24 7
 Domotic Series 32 7
 Domotic Series 42 13

Net weight (packaging included)
 Domotic Series 12 11 Kg.
 Domotic Series 24 13 Kg.
 Domotic Series 32 15 Kg.
 Domotic Series 42 17 Kg.

GENERAL FEATURES:

Control system

- Microprocessor.
- Membrane keypad with control keys and operation indication leds.
- Control I/O: 3 inputs (potential-free contact type) for monitoring the external flow switch, the state of the automatic cover and ORP/residual chlorine controller.
- Cell output: production control (11 discrete levels). Integrated pH controller (only DOM -XX PH and DOM-XX PLUS).
- Integrated ORP controller. (only in DOM-XX PLUS models).

Self-cleaning
 Automatic polarity switch

Working temperature
 From 0 C (32°F) to +40°C (104°F)
 Cooling: natural convection

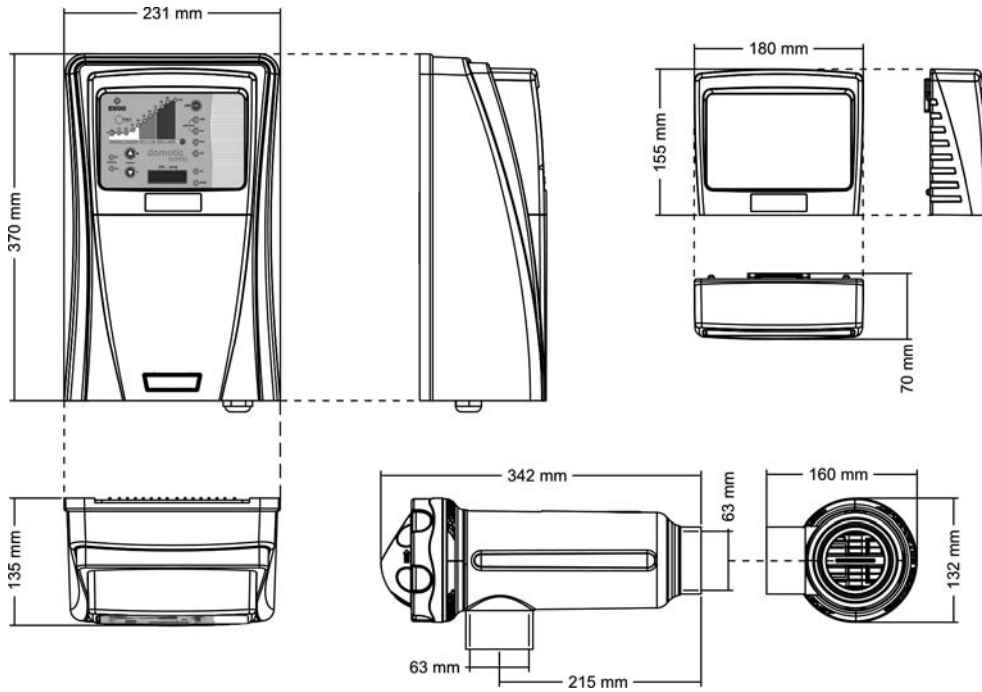
Material
 Power supply / wall terminal
 o ABS
 Electrolysis cell and sensor-holder
 o Transparent methacrylate

pH sensor (DOM-XXPH and DOM-XX PLUS)
 Body: plastic (blue)
 Range 0 -12 pH
 Solid electrolyte

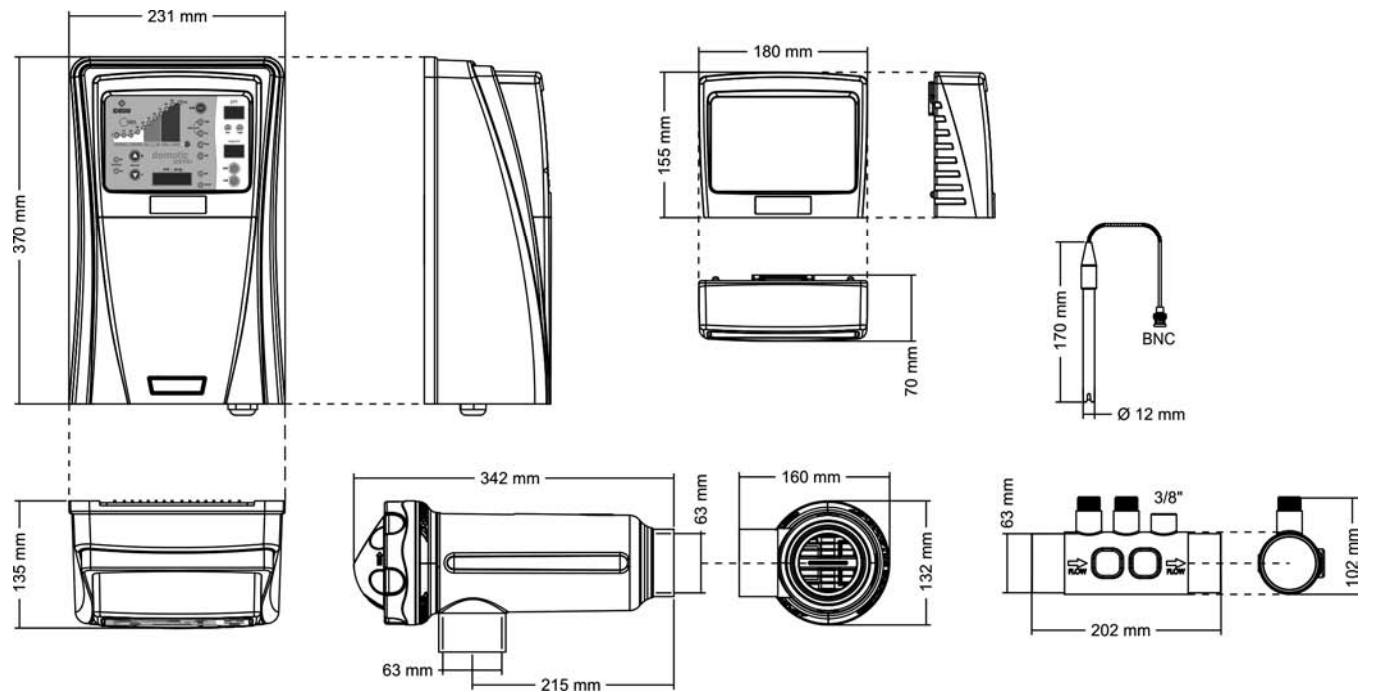
ORP sensor (DOM-XX PLUS models)
 Body: plastic (red)
 Range 0 - 1000 mV
 Solid electrolyte

Dimensions

DOMOTIC (DOM-XX models)



DOMOTIC-PH / PLUS (DOM-XX PH and DOM-XX PLUS models)



10. WARRANTY CONDITIONS: _____

10.1. GENERAL ASPECTS

- 10.1.1. According to these provisions, the seller guarantees that the guaranteed product is in perfect condition upon delivery.
- 10.1.2. The Total Warranty period is 3 YEARS.
- 10.1.3. Specific warranties:
 - 10.1.3.1. The electrodes are covered by a special 5-YEAR ⁽¹⁾ or 5,000-hour warranty (whichever comes first), without extensions.
 - 10.1.3.2. The pH/ORP sensors are covered by a 6-MONTH warranty without extensions.
 - 10.1.3.3. These specific warranty periods are particularly subject to the limitations indicated in Section §10.3.2.
- 10.1.4. Should the Product be faulty and the seller is notified during the Guarantee Period, he shall repair or replace the Product at his own cost wherever he sees fit, unless this is either impossible or out of proportion.
- 10.1.5. When the Product cannot be repaired or replaced, the buyer may request a proportional price reduction or, if the fault is important enough, rescission of the sales contract.
- 10.1.6. Parts replaced or repaired pursuant to this warranty shall not extend the warranty period of the original Product, although they shall have their own warranty.
- 10.1.7. For this warranty to be effective, the buyer shall accredit the date of acquisition and delivery of the Product.
- 10.1.8. When the buyer alleges a fault in the product over six months after its delivery, he shall accredit the original and existence of the alleged fault.
- 10.1.9. This Warranty Certificate does not limit or prejudice consumer rights pursuant to national legislation.

10.2. SPECIFIC CONDITIONS

- 10.2.1. For this warranty to be effective, the buyer must closely follow the manufacturer's instructions included in the documentation supplied with the product, as applicable to each product range and model.
- 10.2.2. Whenever a schedule is defined for the replacement, maintenance or cleaning of certain product parts or components, the warranty shall only be valid when said schedule has been correctly followed.

10.3. LIMITATIONS

- 10.3.1. This warranty shall only be applicable to sales to consumers, with consumer being defined as a person who purchases the product for other than professional purposes.
- 10.3.2. The specific warranty periods established in Section §10.1.3. shall not be applicable in the event of commercial use of the product in facilities accessible to the general public (hotels, sports centres, residents' associations, schools, etc.). In these cases, as of 4,500 verifiable operating hours, a warranty that is proportional to the operating time remaining until the original 5,000-hour warranty shall apply.
- 10.3.3. No warranty is applicable to normal wear or the product, parts, components and/or fungible or consumable materials (except the electrode).
- 10.3.4. The warranty does not cover cases in which the product: (i) has been incorrectly treated; (ii) has been inspected, repaired, maintained or handled by an unauthorised person; (iii) has been repaired or maintained with non-original parts, or (iv) has been incorrectly installed or started up.
- 10.3.5. When a faulty product results from incorrect installation or start-up, this warranty shall only be applicable when the installation or start-up forms part of the product contract of sale and had been performed by the seller or under the seller's responsibility.
- 10.3.6. Damage or faults due to any of the following causes:
 - Bad programming of the system and/or user inadequate calibration of the pH/ORP sensors.
 - Operation at salinity values of less than 3 g of sodium chloride per litre and/or temperatures lower than 15°C (59°F) or higher than 40°C (104°F).
 - Operation at a pH of more than 7.6.
 - Use of explicitly unauthorised chemicals.
 - Performing of cleaning tasks on electrodes too often without just cause or using products and/or procedures other than those described in the Instruction Manual.
 - Exposure to corrosive environments and/or temperatures of less than 0°C (32°F) or more than 50°C (125°F).

IMPORTANT: le manuel d'instructions que vous avez entre les mains contient des informations de première importance sur les mesures de sécurité à adopter au moment de l'installation et de la mise en marche. Il est par conséquent indispensable que l'installateur et l'utilisateur lisent attentivement les instructions avant de commencer le montage et la mise en marche. Conservez ce manuel en vue de futures consultations sur le fonctionnement de cet appareil.



Élimination de résidus de systèmes domestiques électriques et électroniques dans l'Union Européenne.

Tout produit marqué avec ce symbole indique qu'on ne peut pas l'éliminer avec le reste de résidus domestiques. Il est la responsabilité de l'utilisateur d'éliminer ce type de résidu en le déposant dans un point adéquat pour le recyclage sélectif de résidus électriques et électroniques. Le traitement adéquat et le recyclage de ces résidus contribue de manière essentielle à la conservation de l'Environnement et la santé des utilisateurs. Pour obtenir une information plus précise sur les points de récolte de ce type de résidu, contactez avec les autorités locales.

Les instructions contenues dans ce manuel décrivent le fonctionnement et l'entretien des systèmes d'Électrolyse de Sel DOMOTIC Series DOM-XX, DOM-XXPH et DOM-XX PLUS. Pour obtenir un rendement optimal des Systèmes d'Électrolyse de Sel DOMOTIC Series il est nécessaire de suivre les instructions qui sont indiquées ensuite :

1. VÉRIFIEZ LE CONTENU DE L'EMBALLAGE: _____

À l'intérieur de la boîte, vous trouverez les accessoires suivants :

- Source d'alimentation.
- Cellule d'électrolyse.
- Sonde combiné pH (seulement dans les modèles DOM-XX PH et DOM-XX PLUS).
- Sonde ORP EX (seulement dans les modèles DOM-XX PLUS).
- Solutions calibrage pH 7.0 (vert) / pH 4.0 (rouge) / ORP 470 mV (seulement dans les modèles DOM-XX PH et DOM-XX PLUS).
- Porte-sondes (seulement dans les modèles DOM-XX PH et DOM-XX PLUS).
- Connecteur CEE22 M pour connecter la pompe de dosage (seulement dans les modèles DOM-XX PH et DOM-XX PLUS).
- Manuel du système.

2. CARACTERISTIQUES GÉNÉRALES: _____

Une fois installé le système d'Électrolyse Saline DOMOTIC Series, il est nécessaire de dissoudre une quantité de sel dans l'eau. Cette eau saline circule à travers la cellule d'électrolyse située dans l'épuratrice. Le système d'électrolyse saline DOMOTIC Series comporte deux éléments : la cellule d'électrolyse et la source d'alimentation. La cellule d'électrolyse contient un nombre déterminé de plaques de titane (électrodes), de sorte que quand on applique un courant électrique et la solution saline passe à sa traversée, se produit du chlore libre.

Le maintien d'un certain niveau de chlore dans l'eau de la piscine garantira sa qualité sanitaire. Un système d'Électrolyse Saline DOMOTIC Series fabriquera chlore quand le système de recirculation de la piscine (pompe et filtre) seront opérationnels.

La source d'alimentation est dotée de divers dispositifs d'alarme qui s'activent en cas de fonctionnement anormal du système, ainsi qu'un système de contrôle de production contrôlé par microprocesseur.

Les systèmes d'Électrolyse Saline DOMOTIC Series disposent d'un système automatique de nettoyage des électrodes qui évite les incrustations calcaires sur les électrodes. En plus, les systèmes de la famille DOMOTIC-PH et DOMOTIC PLUS incluent un contrôleur automatique de pH, ainsi qu'un contrôleur d'ORP additionnel dans le cas des systèmes de la série DOMOTIC.

3. MISES EN GARDE DE SÉCURITÉ ET RECOMMANDATIONS: _____

- Le système doit être installé ou manipulé par personnel qualifié.
- Il faut respecter les normes en vigueur électriques et pour la prévention d'accidents.
- Le fabricant ne se responsabilisera en aucun cas du montage, de l'installation ou mise en fonctionnement ni de la manipulation ou incorporation de composants qui n'auront pas été réalisés dans ses installations.
- Les Systèmes d'Électrolyse Saline DOMOTIC Series travaillent à 230VAC, 50/60 Hz. N'essayez pas de modifier le système pour travailler sous un autre voltage.
- S'assurer de réaliser des connections consistantes pour éviter de faux contacts lors du préchauffement.
- Avant de procéder à l'installation ou au remplacement d'un certain composant, débrancher l'appareil du réseau électrique, et utilisez exclusivement des rechanges fournis par IDEGIS.
- Étant donné que l'appareil génère de la chaleur, il est important de l'installer dans un endroit suffisamment aéré et de veiller à maintenir les orifices de ventilation dégagés de tout élément obstruant. Veiller à ne pas l'installer près de matériaux inflammables.
- Les Systèmes d'Électrolyse Saline DOMOTIC Series disposent d'un degré de protection IP24. Ils ne doivent en aucun cas être installés dans des endroits exposés aux inondations.

SOURCE D'ALIMENTATION

DESCRIPTION	MODÈLE			
	DOM-12 / DOM-12 PH / DOM-12 PLUS	DOM-24 / DOM-24 PH / DOM-24 PLUS	DOM-32 / DOM-32 PH / DOM-32 PLUS	DOM-42 / DOM-42 PH / DOM-42 PLUS
Tension de service standard	230 V AC, 50/60 Hz.			
Sortie (dc)	12 A (2x6 A)	24 A (2x12 A)	32 A (2x16A)	42 A (6x7A)
Production (g/h)	10 - 12	20 - 24	25 - 32	34 - 42
Volume piscine (m ³) Tiède: 16 - 24°C Chaud: +25°C	60 50	100 80	160 120	200 160
Détecteur flux	Détecteur gaz			
Rang de Salinité / Température	3 - 12 g./l. / +15 - 40°C			
Électrodes	Titane avec recouvrement AUTO-NETTOYANTE Temps de vie prévu: 4.000 - 7.000 heures			
Contrôle production	0 - 100 % (11 niveaux de production)			
Contrôle couverture	Entrée pour contact libre de potentiel Réduction de production programmable depuis le panneau de contrôle avec couverture fermée [10% ... 90%]			
Inversion polarité	Programmable depuis le panneau de contrôle: 2/3 heures + mode test			
Contrôle externe	Deux entrées pour contact libre de potentiel pour interrupteur débit externe et contrôleur ORP/CHLORE RESIDUEL. Logique du contact programmable depuis le panneau de contrôle de l'unité.			
Protection niveau de sel	Protection automatique de production			

CELLULE D'ÉLECTROLYSE

DESCRIPTION	MODÈLE			
	DOM-12 / DOM-12 PH / DOM-12 PLUS	DOM-24 / DOM-24 PH / DOM-24 PLUS	DOM-32 / DOM-32 PH / DOM-32 PLUS	DOM-42 / DOM-42 PH / DOM-42 PLUS
Débit minimum	2 m ³ /h	4 m ³ /h	6 m ³ /h	8 m ³ /h
Nombre d'électrodes	5	7	7	13
Matériel	Derivé méthacrylate			
Connexion tuyau	Encollage avec adhésif pour tuyau PVC Ø 63 mm.			
Pression maximale recommandée	1 Kg./cm ²			
Température fonctionnement	Moins de 40°C			

CONTRÔLEUR DE PH / ORP

DESCRIPTION	MODÈLE			
	DOM-12 PH DOM-12 PLUS	DOM-24 PH DOM-24 PLUS	DOM-32 PH DOM-32 PLUS	DOM-42 PH DOM-42 PLUS
Rang de mesure	0.0 - 9.9 (pH) / 0 - 999 mV (ORP)			
Rang de contrôle	7.0 - 7.8 (pH) / 600 - 850 mV (ORP)			
Précision	± 0.1 pH / ± 1 mV			
Calibrage	Automatique avec solutions de calibrage			
Sorties de contrôle [pH]	Une sortie 230 VAC / 500 mA pour connexion pompe de dosage			
Sondes pH / ORP	Corps en epoxy, 12x150 mm., union simple, 0-80°C couleur BLEUE, rang 0 - 12(pH), couleur ROUGE, rang 0 - 1000 (mV),			

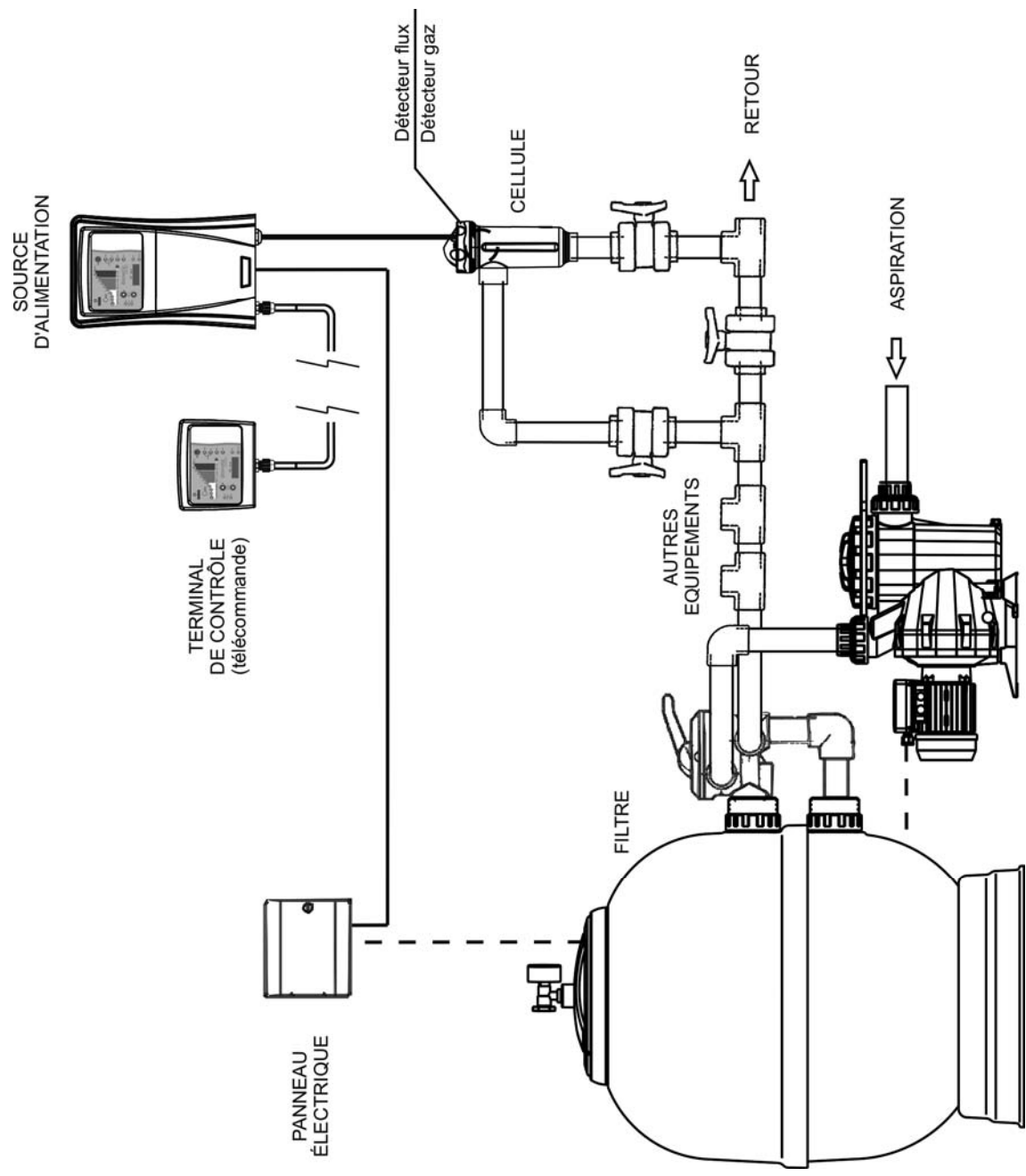


Fig.1 Diagramme d'installation recommandée (systèmes DOMOTIC Series DOM-XX).

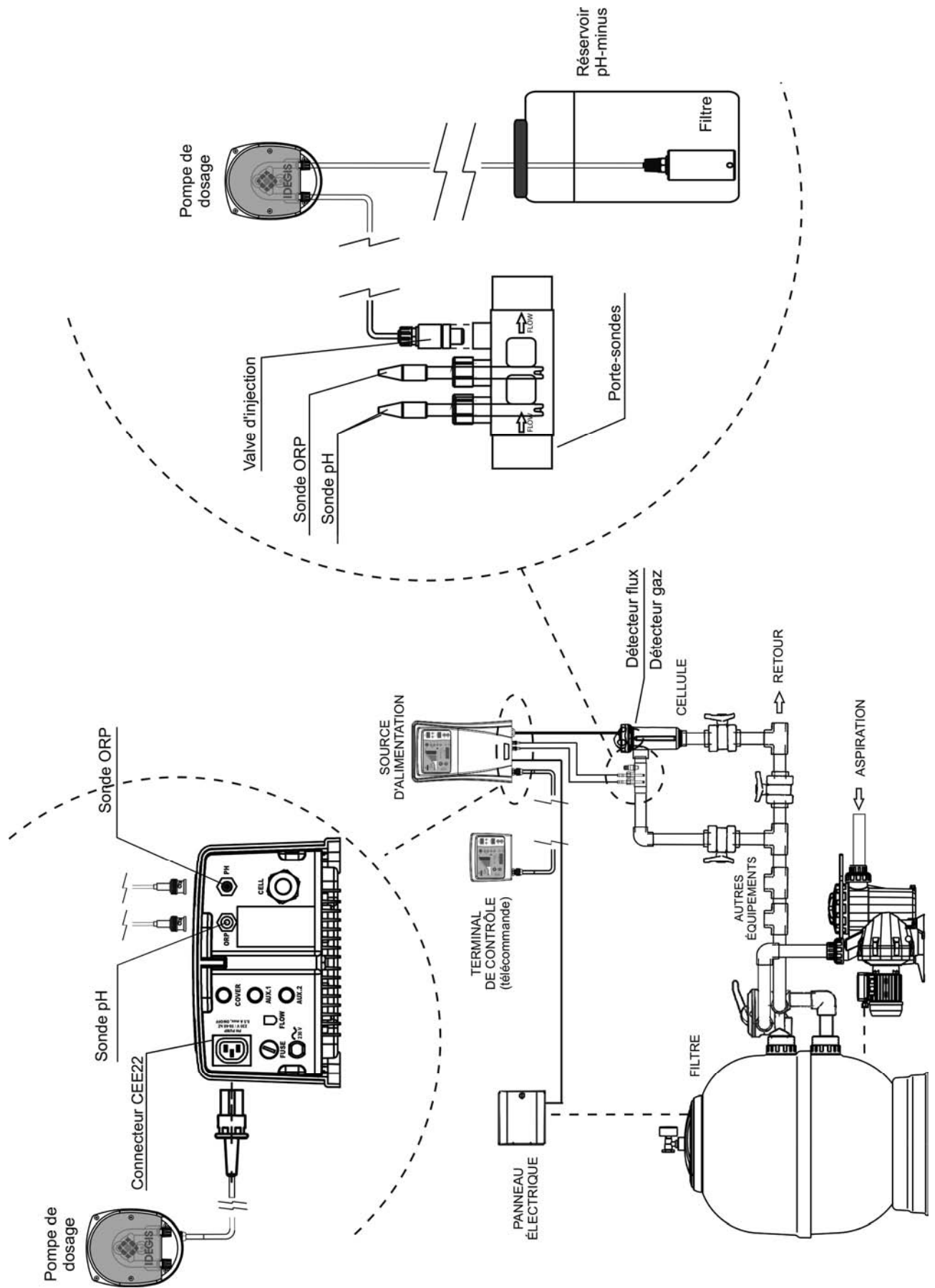


Fig.2 Diagramme d'installation recommandée (systèmes DOMOTIC Series DOM-XX PH et DOM-XX PLUS).

4. INSTALLATION:

4.1. Installation de la source d'alimentation

Toujours installer la SOURCE D'ALIMENTATION du système DOMOTIC Series VERTICALEMENT et sur une surface (mur) rigide comme dans le diagramme d'installation recommandée (Figs. 1,2). Pour garantir son bon état de conservation, vous devez essayer de toujours installer l'équipement dans un endroit sec et bien ventilé. Le degré d'étanchéité de la SOURCE D'ALIMENTATION du système DOMOTIC Series ne permet pas son utilisation en plein air. La SOURCE D'ALIMENTATION devra préférablement être installée suffisamment loin de la cellule d'électrolyse de façon à ce qu'elle ne puisse pas subir d'éclaboussure d'eau accidentellement.

Très important : évitez la formation de milieux corrosifs dus aux solutions qui diminuent le pH (concrètement celles formulées avec acide chlorhydrique « HCl »). Ne jamais installer le système DOMOTIC Series près des lieux de stockage de ces produits. Nous recommandons spécialement l'utilisation de produits basés en bisulfate sodique ou acide sulfurique dilué. La connexion de la source d'alimentation au réseau électrique doit s'effectuer sur le panneau électrique de l'épurateur, de façon que la pompe et le système DOMOTIC Series se connectent simultanément.

4.2. Installation de la cellule d'électrolyse

La cellule d'électrolyse est fabriquée d'un polymère transparent à l'intérieur duquel se logent les électrodes. La cellule d'électrolyse devra être installée dans un endroit à l'abri des intempéries et **toujours derrière le système de filtration**, en cas d'existence d'autres dispositifs dans l'installation tels que des pompes à chaleur, des systèmes de contrôle, etc. ; ceux-ci devront toujours être placés avant le système d'électrolyse.

L'installation de la cellule devrait permettre l'accès facile de l'utilisateur aux électrodes installées. La cellule d'électrolyse doit toujours être placée VERTICALEMENT dans un endroit de la canalisation qui puisse être isolé du reste de l'installation grâce à deux vannes, de telle façon que les tâches d'entretien de celle-ci puissent être effectuées sans vider entière ou partiellement la piscine.

Si la cellule s'installe en by-pass (option recommandée), vous devrez introduire une vanne qui régule le débit à travers de celle-ci. Avant de procéder à l'installation définitive du système, les commentaires suivants doivent être considérés :

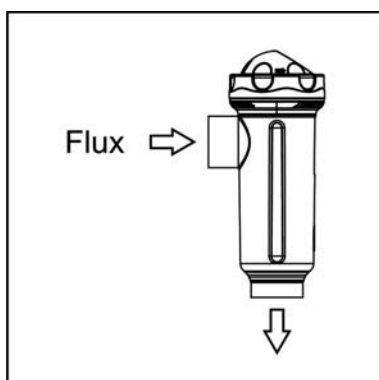


Fig. 3

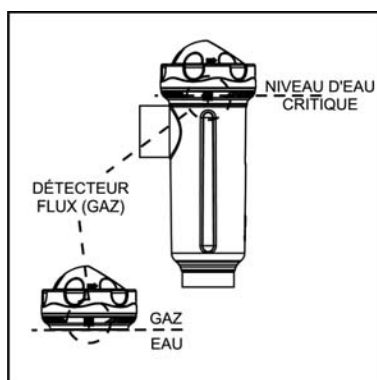


Fig. 4

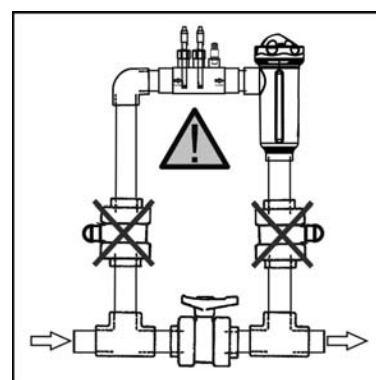


Fig. 5

1. Le sens du fluide marqué sur la cellule doit être respecté. Le système de circulation doit garantir le débit minimal consigné dans le Tableau de Spécificités Techniques pour chaque modèle (voir section 9).

2. Le système détecteur de flux (détecteur de gaz) s'active en cas de non circulation de l'eau à travers la cellule ou bien si le flux est très faible. La non-évacuation du gaz d'électrolyse génère une poche qui isole électriquement l'électrode auxiliaire (détection électronique). Par conséquent, en introduisant les électrodes dans la cellule, la sonde de niveau (électrode auxiliaire) doit rester située dans la partie supérieure de celle-ci. La disposition la plus sûre est celle du diagramme d'installation recommandée.

3. **ATTENTION:** le détecteur de flux ne fonctionnera pas correctement, ce qui produira un risque de rupture de la cellule, si les vannes d'entrée et de sortie de la canalisation où est installée la cellule d'électrolyse se ferment simultanément. Bien que cela reste une situation extrêmement inhabituelle, on peut l'éviter **en bloquant, une fois l'équipement installé, la vanne de la sortie vers la piscine**, de mode qu'elle ne puisse pas être manipulée accidentellement.

D'autres installations seraient seulement acceptables si elles permettent la détection de débit faible ou nul.

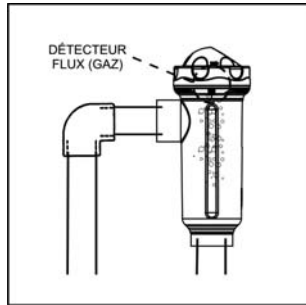


Fig. 6

Installation recommandée

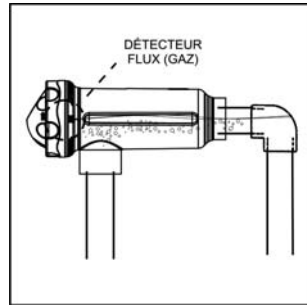


Fig. 7

Installation acceptable

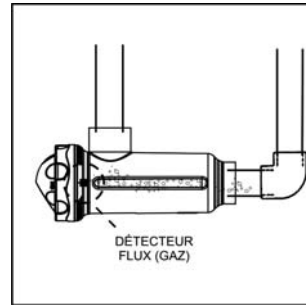


Fig 8

Installations non acceptables

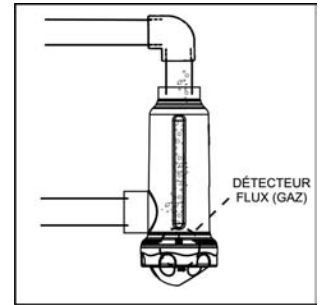


Fig 9

Les électrodes devront être introduites à l'intérieur de la cellule d'électrolyse en emboîtant l'électrode centrale de l'ensemble au moyen des guides situés dans la partie supérieure et inférieure du corps de celle-ci.

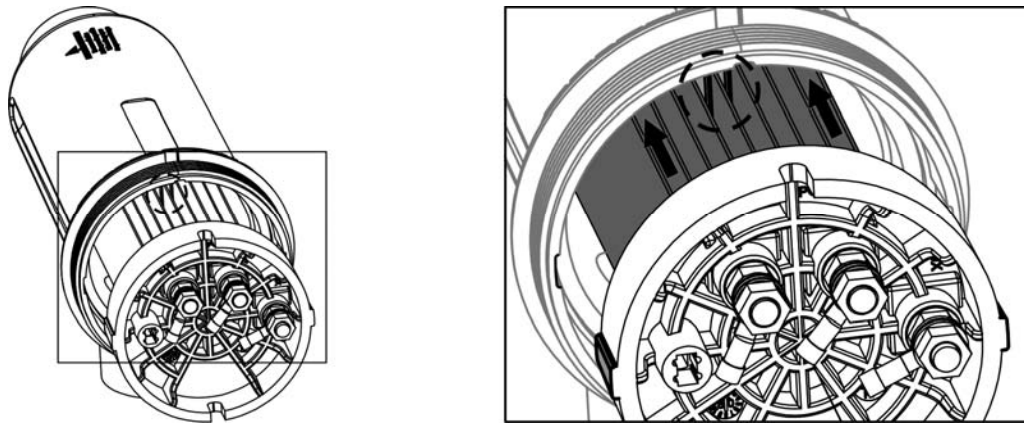


Fig 10

4.3. Connexions électriques de la cellule d'électrolyse

Réaliser l'interconnexion entre la cellule d'électrolyse et la source d'alimentation selon le schéma suivant. Dû à l'intensité relativement élevée du courant qui circule dans les câbles d'alimentation de la cellule d'électrolyse, la longueur et la section de ceux-ci ne doivent en aucun cas être modifiés sans consulter au préalable votre distributeur agréé IDEGIS. Le câble de connexion cellule-source d'alimentation ne doit jamais dépasser la longueur maximale recommandée dans ce Manuel: DOM-12 (6 A), 7.5 m.; DOM-24 (12 A), 4.0 m.; DOM-32 (16 A), 3.0 m; DOM-42 (7 A), 16.0 m.

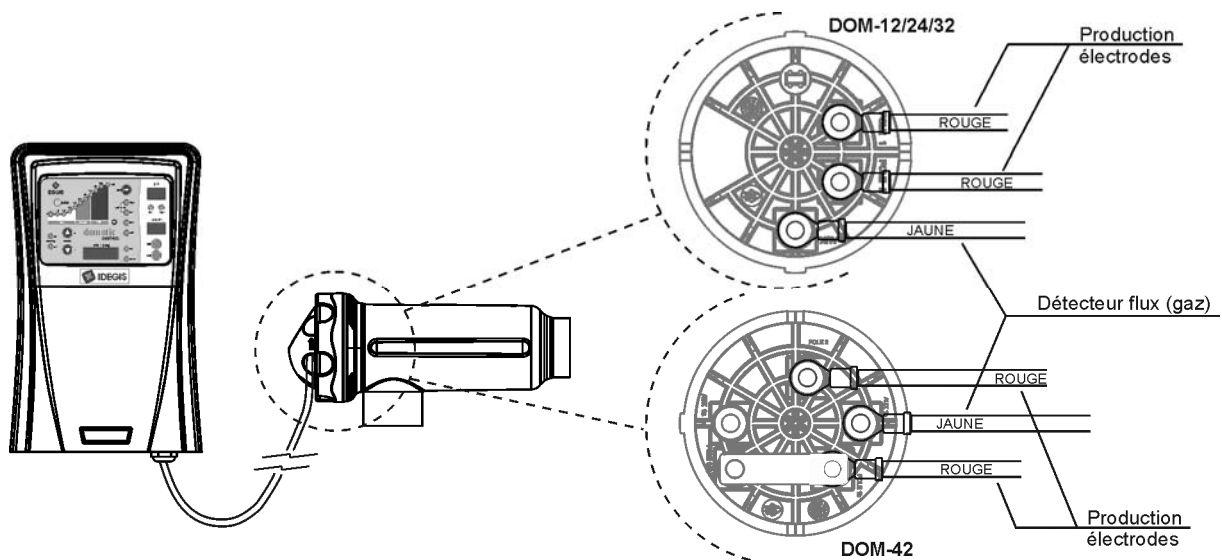


Fig.11

4.4. Installation de les sondes de pH / ORP (seulement dans les modèles DOM-XX PH et DOM-XX PLUS)

1. Insérer les sondes pH/ORP fournie avec le système dans les logements correspondants du porte-sondes. (Fig. 12)
2. Pour ce faire, desserrez les écrous des raccords et insérez la sonde dans ceux-ci.
3. La sonde doit être introduite dans le raccord de sorte qu'on garantisse que le capteur situé dans son extrémité est toujours submergé dans l'eau qui circule à travers la canalisation.
4. **Installez toujours les sondes de pH / ORP préférentiellement verticale ou avec une inclinaison maximale de 40° (Fig. 13).**

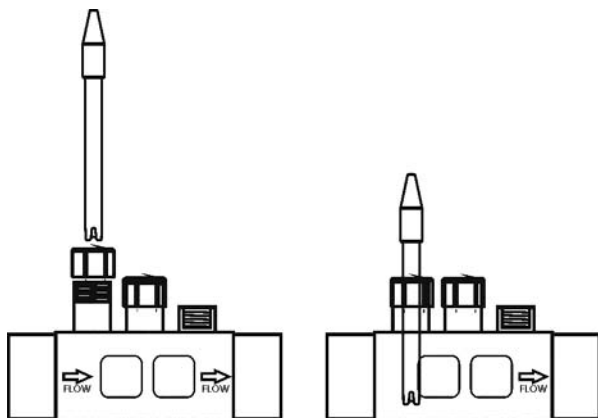


Fig. 12

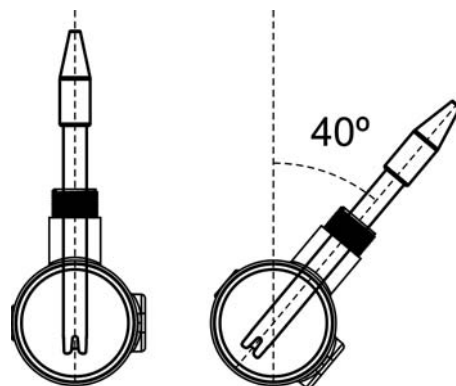


Fig. 13

4.5. Installation du détecteur de flux externe optionnel (non compris dans l'équipement)

1. Placer le collier fourni dans un tronçon de la tuyauterie situé à l'entrée de la cellule d'électrolyse. Le collier devra être toujours installé en position horizontale au sol (Fig. 14-1).
2. Installer le détecteur de flux (interrupteur flux) toujours verticalement dans le collier (Fig. 14-1).
3. Une flèche est marquée sur la tête du détecteur de flux. Assurez-vous que cette flèche est parallèle à l'axe de la conduite et qu'elle coïncide avec la direction du flux de l'eau (Fig. 14-2).
4. Éviter d'installer le détecteur de flux à proximité d'objets ferromagnétiques. Ces objets peuvent influencer le fonctionnement du dispositif magnétique situé à l'intérieur et diminuer, par conséquent, sa fiabilité.

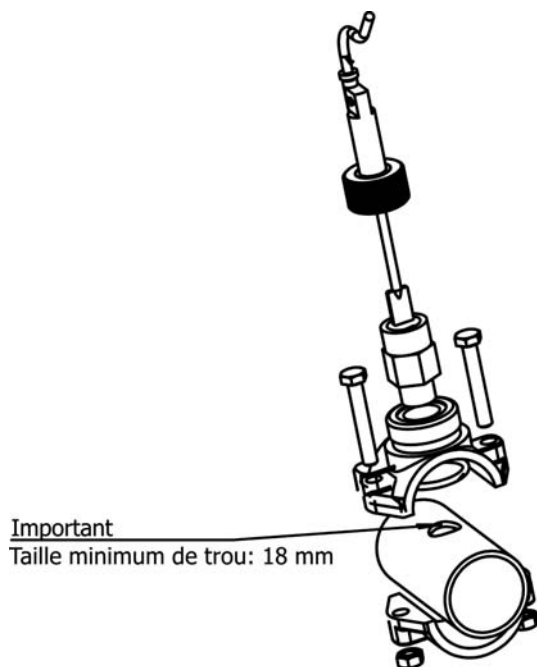


Fig. 14-1

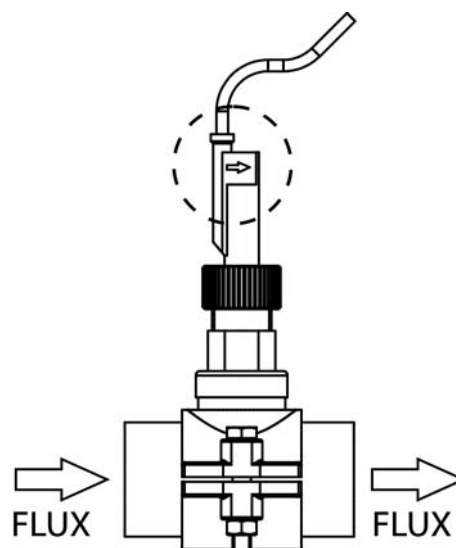


Fig. 14-2

4.6. Installation du terminal de contrôle extractible

Avec les systèmes DOMOTIC series il est possible d'installer une commande à distance du système d'électrolyse saline situé dans l'épuratrice de la piscine au moyen de l'installation d'un terminal mural de contrôle (télécommande). L'interconnexion entre la source d'alimentation et le terminal de contrôle est possible grâce à un câble de télécommunication de 6 conducteurs relié aux connecteurs respectifs situés sur les cartes de puissance et de visualisation. La longueur de ce câble dépendra des besoins du propriétaire, mais il ne peut jamais dépasser les 40 mètres. Le terminal est un élément autoalimenté à 10,5 Vac par le même bus de communication, c'est pourquoi il n'y a pas besoin d'avoir une prise d'alimentation supplémentaire.

La télécommande ne requiert aucune procédure spéciale d'entretien, à l'exception des suivantes normes générales d'utilisation :

- Utiliser un chiffon légèrement humide pour le nettoyer.
- Ne pas utiliser de produits de nettoyage agressifs (eau de javel, aérosols, solvants, alcool, etc.)

La télécommande a été conçue pour être placée sur un mur rigide. Son degré de protection IP-65 permet de l'installer à l'intempérie. Cependant, il serait recommandable de ne pas exposer directement le terminal aux rayons solaires. Pour l'installation du terminal procédez de la manière suivante:

1. Enlever le couvercle de la source d'alimentation en dévissant la vis de fixation (Fig. 11-1) et en glissant vers le haut et vers dehors (Fig. 11-2). Ensuite tourner le couvercle vers la gauche (Fig. 11-3) et débrancher le câble de communication (A) de la carte de puissance et de la carte de visualisation (Fig. 11-4).
2. Dévissez les quatre vis de fixation (Fig. 11-5).
3. Monter le terminal de contrôle (Fig. 11-6).

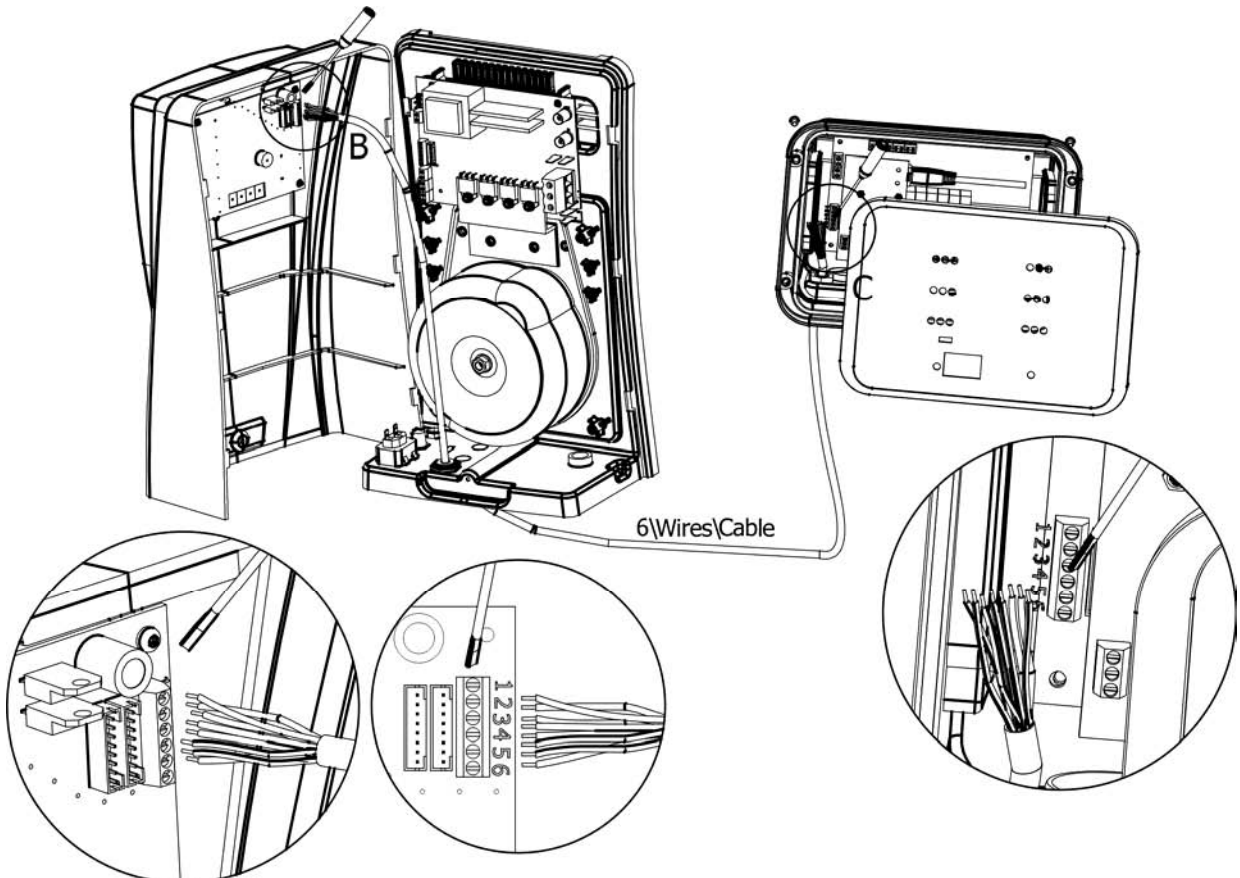
OPTION A: installation en utilisant un câble original d'IDEGIS réf. DOM-020-XX (XX indique la longueur en mètres du câble).

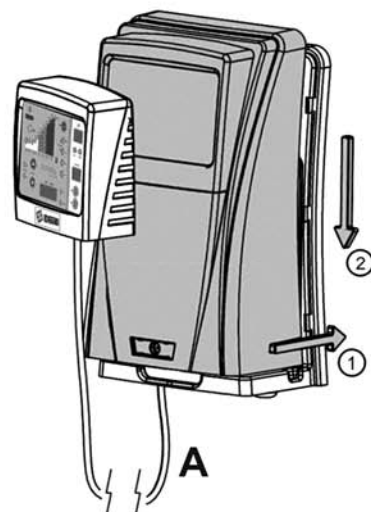
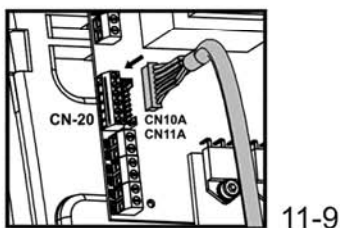
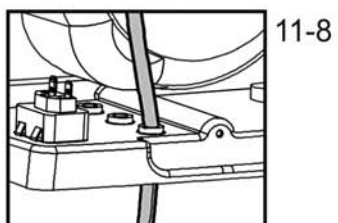
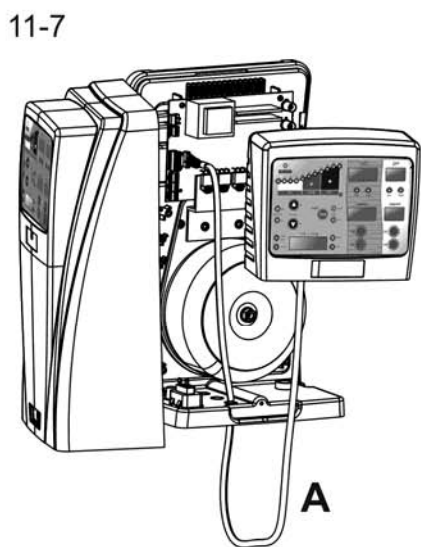
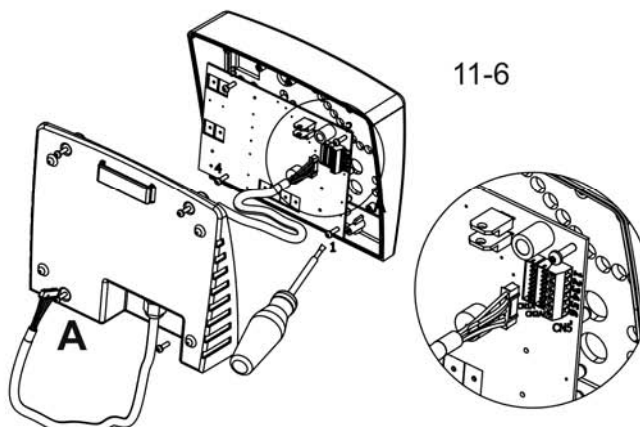
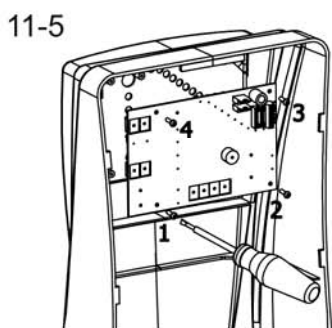
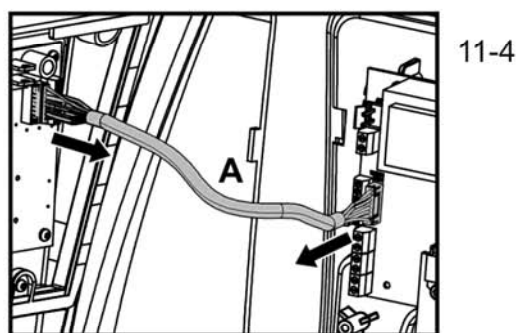
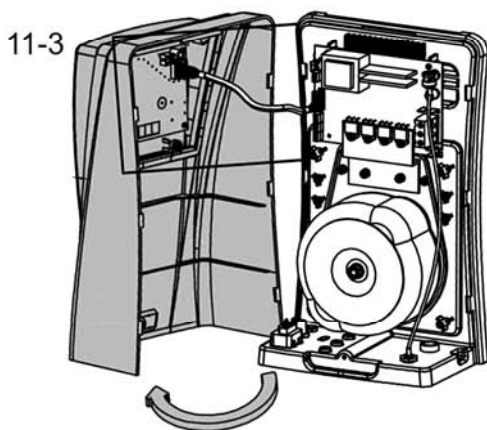
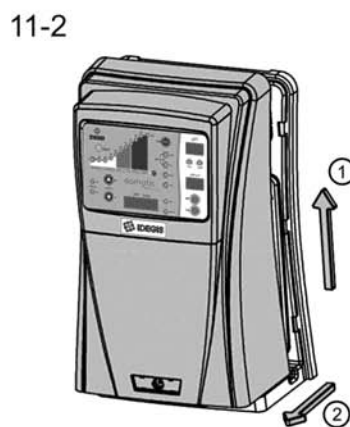
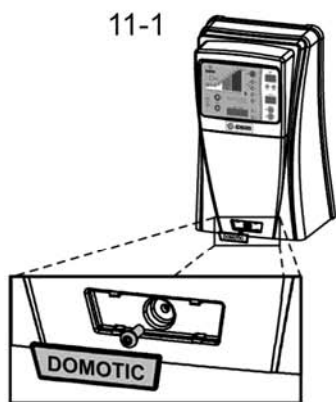
OPTION B: installation en utilisant un câble de télécommunication standard de 6 conducteurs avec une coupe minimale de 0,22 mm² chacun.

Dans les deux cas la longueur maximale permise c'est de 40 mètres. Cependant, l'utilisation d'un câble UTP de paire torsadée (Catégorie 5e sans blinder) permet l'interconnexion à distances jusque les 60 mètres.

4. Pour ce faire, passer le nouveau câble de communication (A) à travers du passe-câbles situé sur la base du terminal et le connecter à n'importe lequel des deux connecteurs de la carte de visualisation (CN1A, CN2A) [**OPTION A**], ou au connecteur CN-5 [**OPTION B**]. Unir le frontal de visualisation et la base du terminal avec les quatre vis fournis.
5. Passer l'extrémité libre du câble de communication à travers de l'orifice AUX 2 situé sur base de la source d'alimentation (Fig. 11-7, 11-8) et le brancher au connecteur CN10A/CN11A [**OPTION A**] ou au connecteur CN-20 [**OPTION B**] de la carte de puissance (Fig. 11-9). Replacer le couvercle de la source d'alimentation (Fig. 11-7).
6. Disposer la fixation au mur (voir section 8) sur le point d'installation choisi et accrocher le terminal.

4.7. Connectez PoolStation





4.8. Contrôles et indicateurs

Les systèmes d'Électrolyse Saline DOMOTIC Series sont équipés avec un panneau de contrôle placé sur son frontal (Figs. 15,16, 16b).

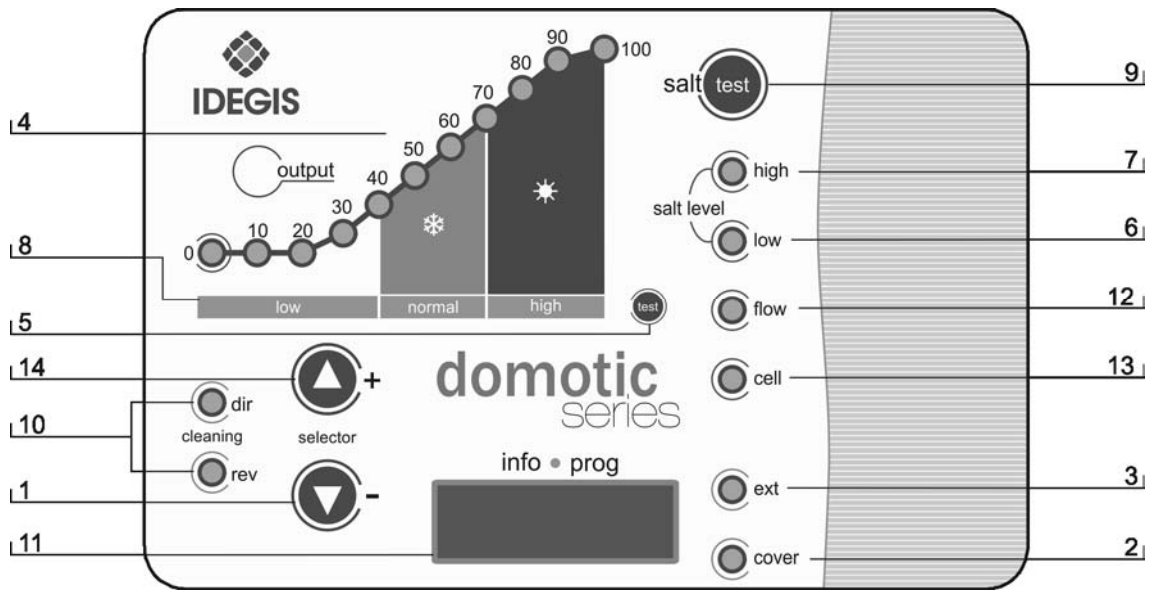


Fig. 15. Panneau de contrôle des systèmes DOM-XX

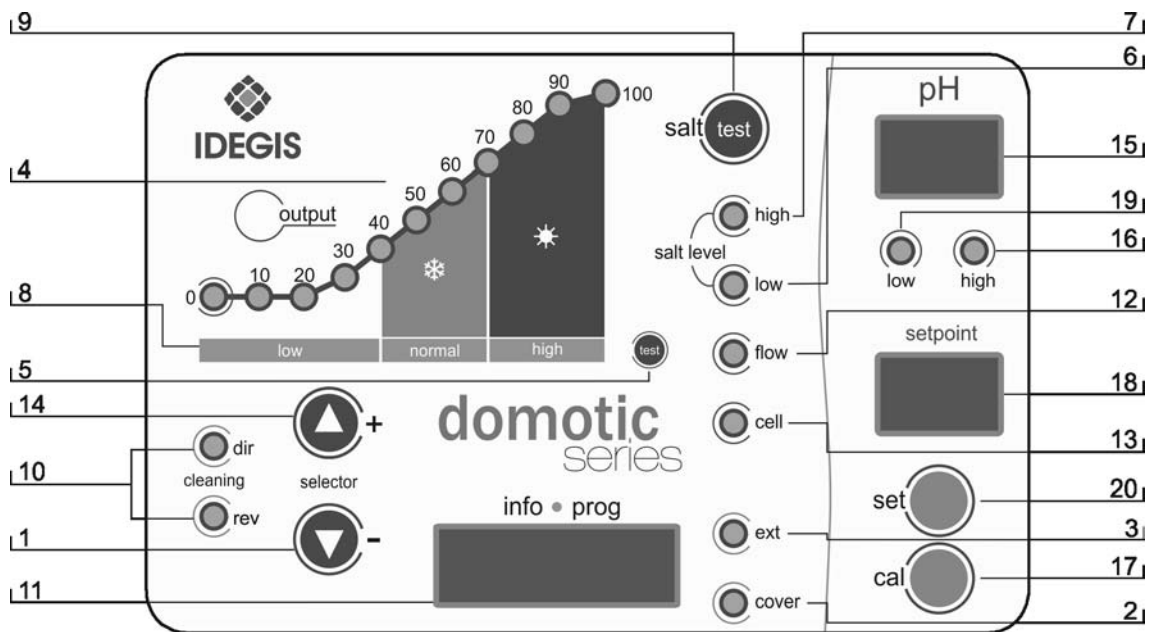


Fig. 16. Panneau de contrôle des systèmes DOM-XX PH

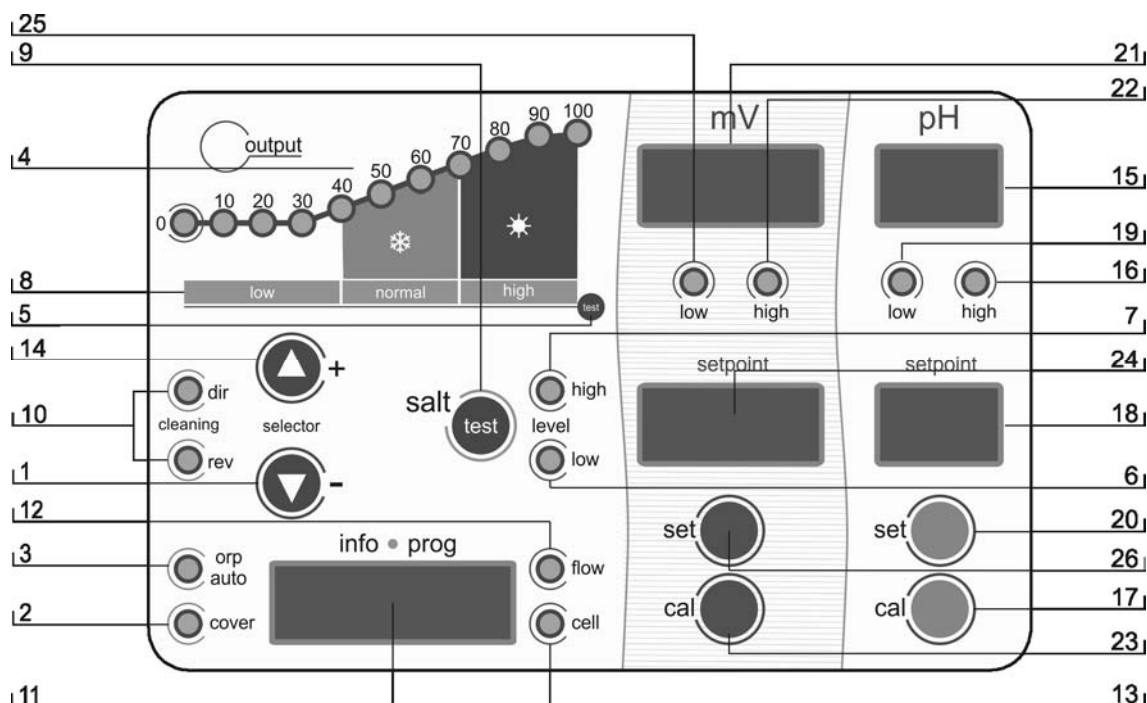


Fig. 16b. Panneau de contrôle des systèmes DOM-XX PLUS

- | | |
|---|---|
| <ol style="list-style-type: none"> 1. Touche « ▼ » (diminuer production / navigation menus programmation système) 2. Indicateur contrôle COUVERTURE AUTOMATIQUE activé. 3. Indicateur CONTRÔLE ORP activé 4. Échelle production (%) 5. Échelle TEST SALINITÉ 6. Indicateur de SALINITÉ FAIBLE. 7. Indicateur de SALINITÉ HAUTE. 8. Échelle SALINITÉ (qualitative) 9. Touche pour « TEST SALINITÉ » 10. Indicateurs AUTO-NETTOYAGE (polarité DIRECTE/INVERSE) 11. Écran d'information du système 12. Indicateur d'ALARME de FLUX 13. Indicateur d'ALARME de PASSIVATION d'ÉLECTRODE | <ol style="list-style-type: none"> 14. Touche « ▲ » (augmenter production / navigation menus programmation). 15. Écran de visualisation du pH de l'eau 16. Indicateur d'ALARME de PH HAUT (> 8.5) 17. Touche pour MODE CALIBRAGE pH 18. Indicateur de valeur de pH programmé 19. Indicateur d'ALARME de PH FAIBLE (< 6.5) 20. Touche pour programmer la valeur de pH. 21. Écran de visualisation du ORP de l'eau 22. Indicateur d'ALARME de ORP HAUT (> 850 mV) 23. Touche pour MODE CALIBRAGE ORP 24. Indicateur de valeur de ORP programmé 25. Indicateur d'ALARME de ORP FAIBLE (< 600 mV) 26. Touche pour programmer la valeur de ORP. |
|---|---|

En plus des opérations essentielles, le Système d'Électrolyse de Sel DOMOTIC Series dispose de trois entrées pour contacts libres de tension, lesquels permettent la connexion de contrôles externes supplémentaires. Ces entrées sont situées dans le connecteur [CN7] de la carte de puissance (Fig. 17).

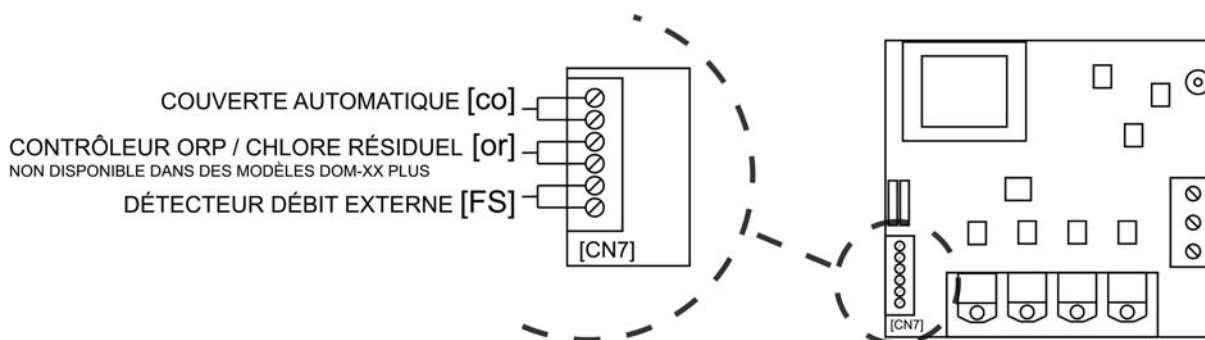


Fig. 17

La logique associée à ces trois entrées peut être programmée pendant le processus de configuration du système (voir section 5.2)

- **[FS] CONTRÔLE DÉTECTEUR DÉBIT EXTERNE OPTIONNEL** (non compris dans l'équipement): entrée pour contact libre de potentiel. Lorsque le contact connecté à cette entrée s'ouvre (détecteur de flux externe au repos), et l'entrée [FS] a été configurée comme **[FS1c]** à la configuration du système, l'électrolyseur s'arrête (alarme de flux). Connecter les câbles du détecteur de flux externe à l'entrée correspondante **[FS]** située dans le connecteur [CN7] de la carte de puissance du système.

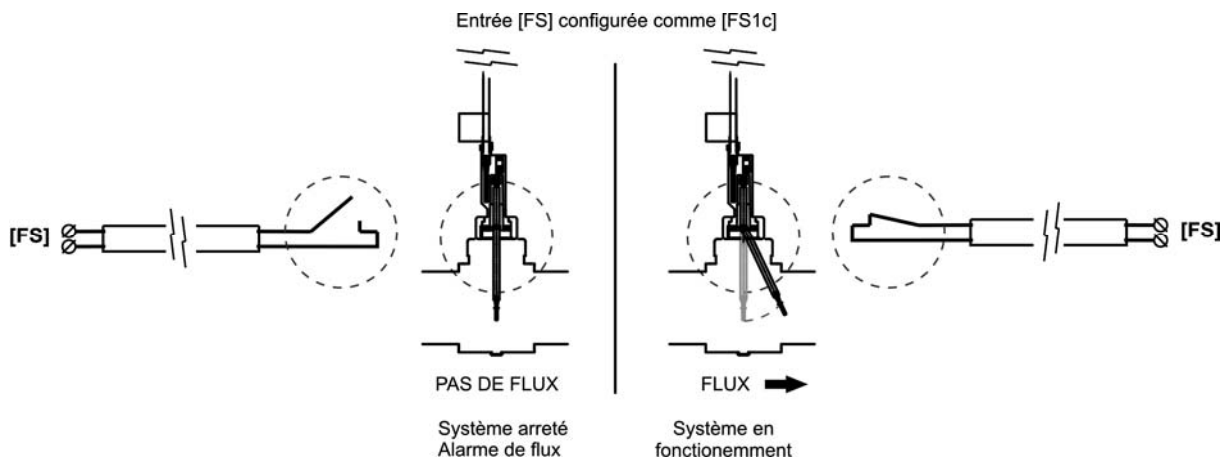


Fig. 18

- **[CO] CONTRÔLE COUVERTURE AUTOMATIQUE**: entrée pour contact libre de potentiel. Cette entrée permet, en fonction de l'état du contact qui y est connecté et qui est situé dans le panneau électrique de la couverture automatique, de programmer une réduction du courant de sortie de l'équipement à un pourcentage de sa valeur nominale.

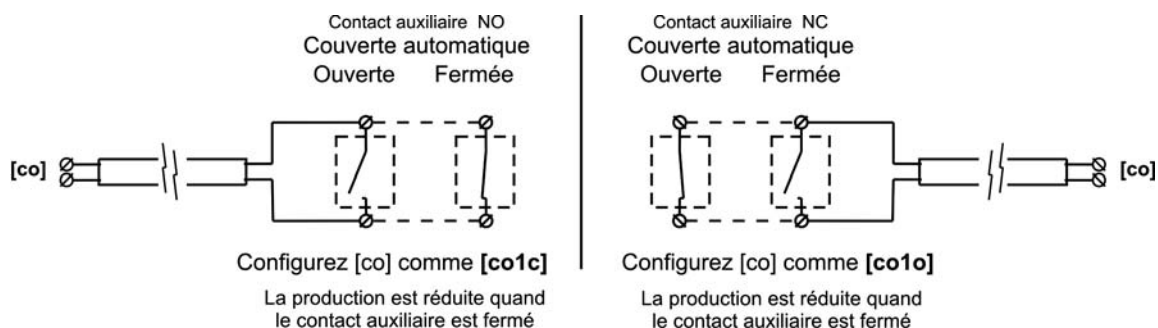


Fig. 19

- **[or]** **CONTRÔLE ORP / CHLORE RÉSIDUEL (non disponible dans des modèles DOM-XX PLUS)**: entrée pour contact libre de potentiel. Cette entrée peut être utilisée afin de faire interagir le système d'électrolyse saline et un contrôleur externe (ORP, CHLORE RÉSIDUEL, PHOTOMÈTRE, etc.). Pour cela il suffira de relier deux fils depuis le contact libre de tension situé dans le contrôleur externe, à l'entrée correspondante **[or]** placée dans la carte de puissance du système.

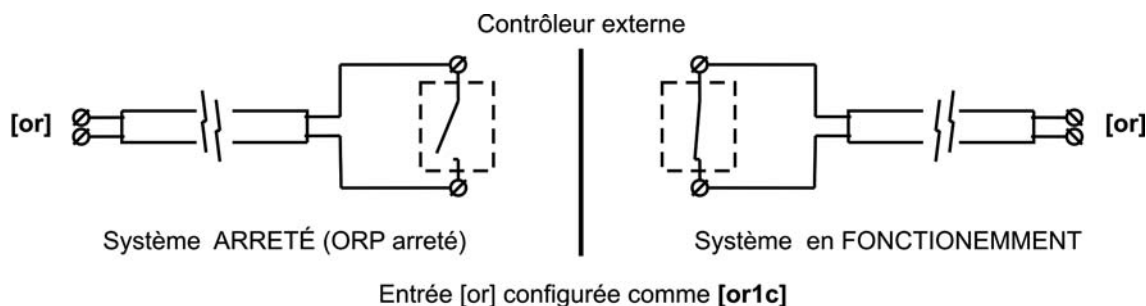


Fig. 20

4.9. Mise en marche

1. S'assurer que le filtre est 100% propre, et que la piscine et l'installation ne contiennent ni cuivre, ni fer, ni algues. Tout équipement de chauffage installé doit être compatible avec la présence de sel dans l'eau.

2. Équilibrer l'eau de la piscine. Ceci nous permettra d'obtenir un traitement plus efficace avec une concentration plus faible de chlore libre dans l'eau, ainsi qu'un fonctionnement prolongé des électrodes et une moindre formation de dépôts calcaires dans la piscine.

a) Le pH doit être de 7.2-7.6

b) L'alcalinité totale doit être de 60-120 ppm.

3. Bien que le système DOMOTIC Series puisse fonctionner avec un rang de salinité de 4 - 6 g/l, il convient d'essayer de maintenir le niveau minimum de sel recommandé de 5 g/l, en ajoutant 5 Kg. pour chaque m³ d'eau si l'eau ne contenait pas de sel au préalable. Toujours utiliser du sel ordinaire (chlorure de sodium), sans additifs tels que iodures ou anti-compactants, et qui soit apte à la consommation humaine. Ne jamais ajouter le sel à travers la cellule, mais directement à la piscine ou dans le vaisseau de compensation (loin du drain de la piscine).

4. Au moment d'ajouter le sel, et dans le cas où la piscine va être utilisée de façon immédiate, effectuer un traitement avec chlore. Comme dose initiale, on peut ajouter 2 g/m³ d'acide trichloroisocyanurique.

5. Avant de commencer le cycle de travail, déconnecter la source d'alimentation et mettre en marche la pompe de l'épurateur pendant 24 heures pour garantir la dissolution complète du sel.

6. Ensuite, mettre en marche le système d'électrolyse saline, en situant le niveau de production de façon que le niveau de chlore libre se maintienne aux niveaux recommandés (0.5 - 1.5 ppm).

NOTE: pour pouvoir déterminer le niveau de chlore libre vous devrez employer un kit d'analyse.

7. Dans des piscines à forte insolation ou d'utilisation intensive, il est conseillé de maintenir un niveau de 25-30 g/m³ de stabilisant (acide isocyanurique). Le stabilisant ne devra dépasser jamais les 75 g/m³. Ceci servira d'une grande aide pour éviter la destruction du chlore libre présent dans l'eau par l'action de la lumière solaire.

5. FONCTIONNEMENT:



5.1. **Système arrêté**

Le système entre en mode « ATTENTE » lorsque l'on appuie plusieurs fois sur la touche « ▼ » [1] jusqu'à ce que le led de « 0 % » clignote. Comme ça, il n'y a pas de production dans la cellule d'électrolyse.

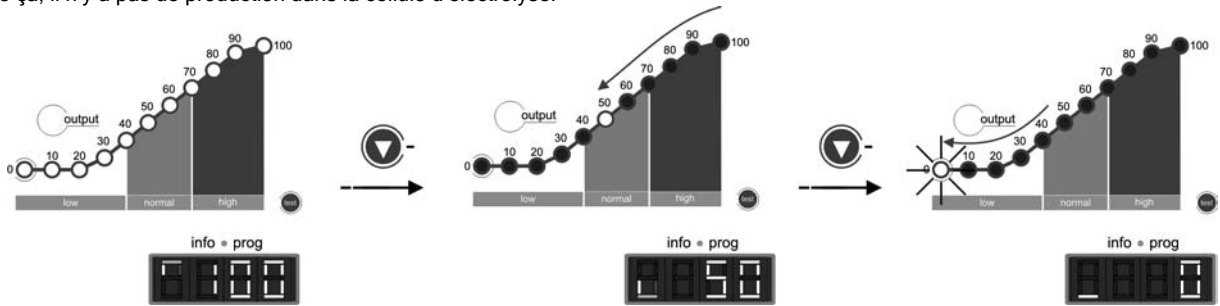
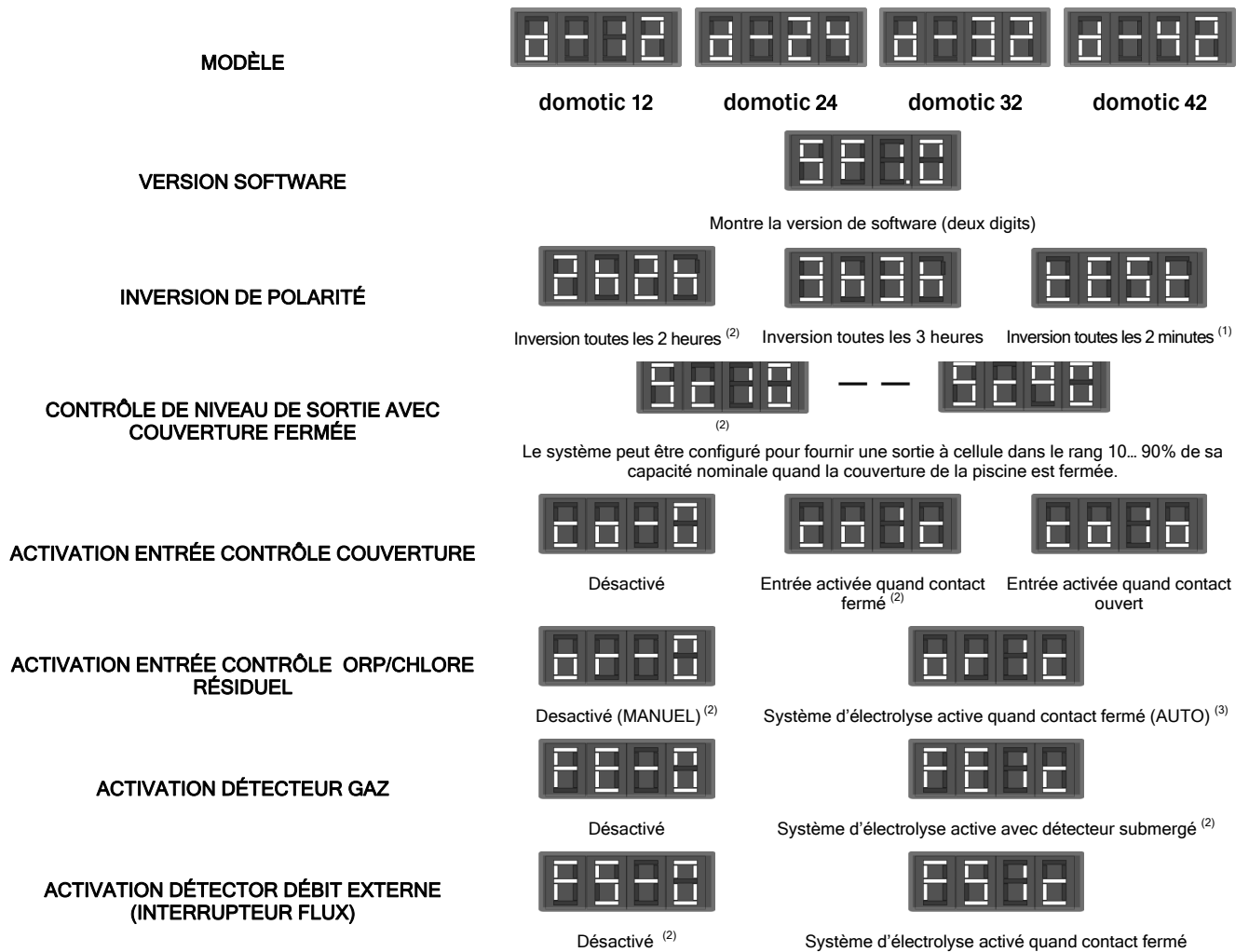


Fig. 21

5.2. **Configuration du système**

Le système DOMOTIC Series peut être reconfiguré à travers d'un menu accessible depuis le panneau de commande. Pour y accéder, il convient d'arrêter le système au préalable (voir section 5.1). Une fois le système arrêté, appuyer pendant quelques secondes sur la touche « ▼ » [1] jusqu'à ce que l'écran d'information du système [11] affiche « CONF ». Pour habilitier la sélection de chacune des options de chaque menu, appuyer pendant environ 1 seconde sur la touche « SALT TEST » [9]. Une fois que le paramètre désiré a été sélectionné au moyen des touches « ▼ » [1] / « ▲ » [14], valider en appuyant à nouveau pendant une seconde sur la touche « SALT TEST » [9] (voir Fig. 23). Le processus de configuration permet d'établir les paramètres opérationnels suivants du système :



⁽¹⁾ **ATTENTION:** utiliser ce mode uniquement pour les tâches de vérification et pendant des laps de temps très courts, vu que cela pourrait endommager les électrodes. L'appareil sort du mode test après s'avoir arrêté le système.
⁽²⁾ Valeurs par défaut.
⁽³⁾ Valeur par défaut dans des modèles DOM-XX PLUS.

Fig. 22

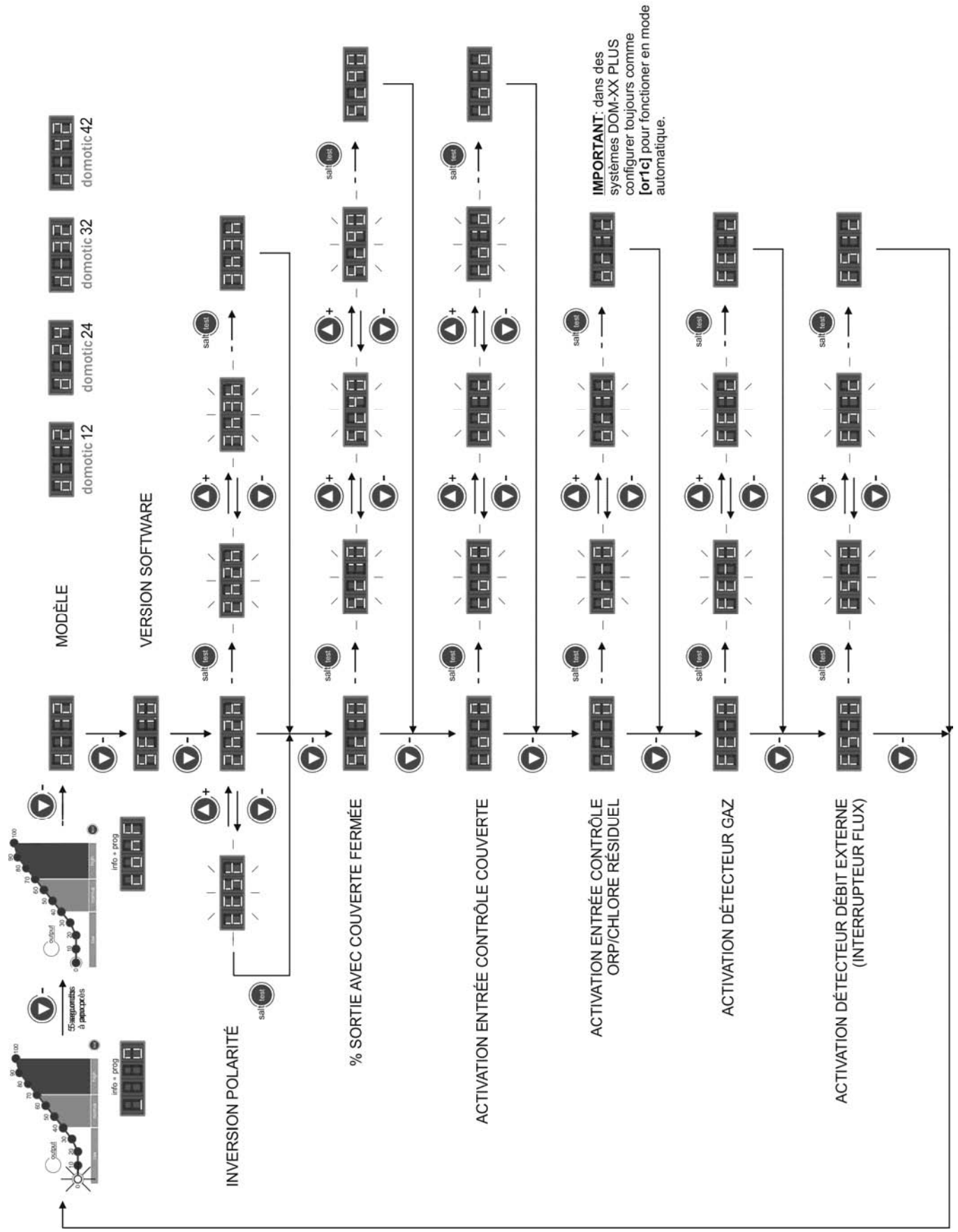


Fig. 23 Diagramme de flux de programmation du système

5.3. Sélection du niveau de production

Pour sélectionner le niveau de production désiré, appuyer plusieurs fois sur les touches « ▼ » [1] / « ▲ » [14] jusqu'à ce que le led correspondant au niveau de production désiré clignote. L'écran d'information du système [11] indiquera la valeur correspondant au led de l'échelle de production [4]. Après quelques secondes, le système situera sa production au niveau sélectionné.

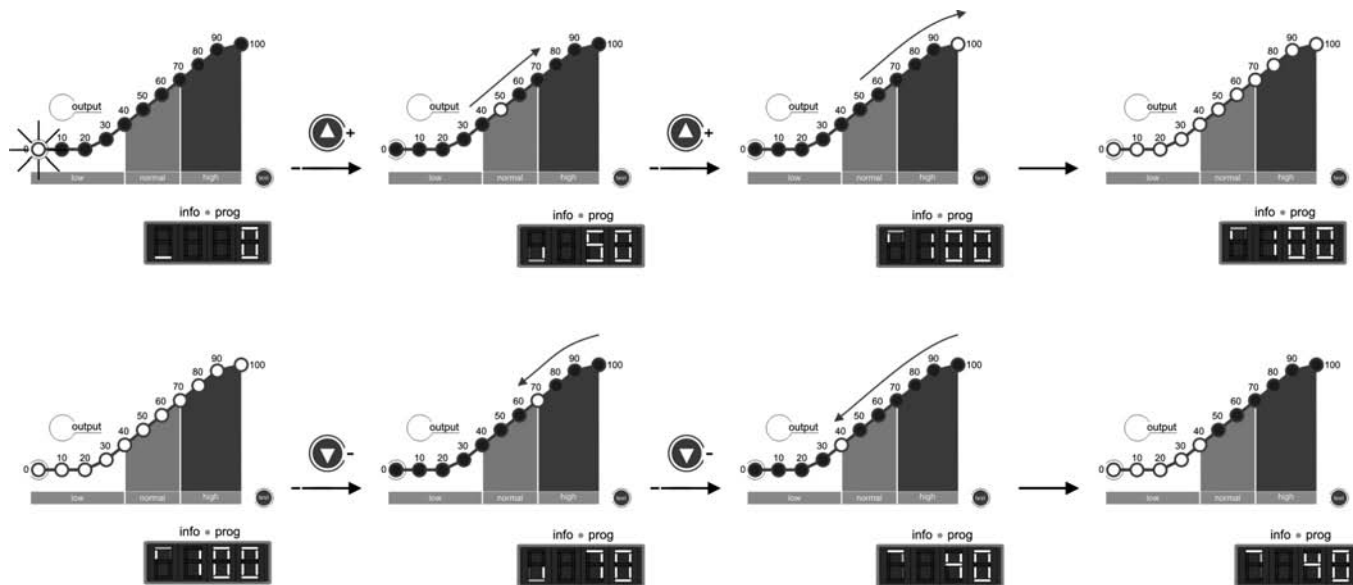


Fig. 24

En conditions normales, la valeur de production [4] devra coïncider avec la valeur programmée. Néanmoins, dans le cas où le niveau de sel de l'eau se situerait hors rang (alarmes de « HIGH SALT » [7] ou « LOW SALT » [6] activées), ou en cas de problème dans la cellule d'électrolyse (alarme « CELL » [13] activée), la valeur de production atteinte [4] pourrait être inférieure à la valeur programmée et affichée sur l'écran [11].

❄ **Mode HIVER:** pendant des périodes de basse température dans l'eau choisir un niveau de production [1] compris entre le 50-60%.

5.4. Test de salinité

Les systèmes DOMOTIC Series disposent d'un système intégré pour détecter le niveau de salinité de l'eau de la piscine. Pour effectuer ce test, appuyer sur la touche « SALT TEST » [9]. Pendant la réalisation du test, le led d'indication de production oscille dans le rang 20%-80% de l'échelle de salinité [5], et l'écran d'information du système [11] affichera alternativement le texte « SALT » et « TEST ». Une fois le test terminé, le led clignotera pendant quelques secondes sur l'échelle [5], à la valeur de salinité détectée (voir Fig. 25). Après quelques secondes, l'équipement reviendra à son mode de fonctionnement normal.

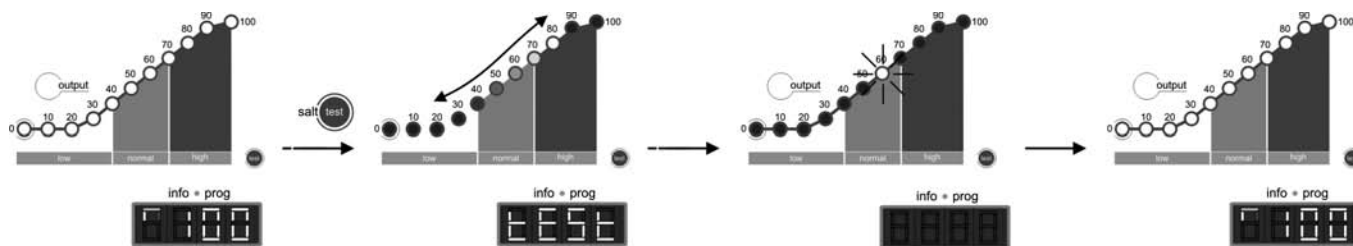


Fig. 25

Il est possible que le système indique des niveaux de sel inférieurs aux niveaux réels si la température est inférieure à 20°C.

5.5. Contrôle pH / ORP intégré (modèles DOM-XX PH et DOM-XX PLUS)

Le contrôleur de pH / ORP intégré est calibré dans le processus de fabrication avec les paramètres de programmation suivants.

SET-POINT pH= « 7.2 » / ORP= « 700 mV »

IMPORTANT: pour obtenir un réglage correct du pH, l'alcalinité de l'eau doit être dans le rang optimal recommandé de 60-120 ppm de CaCO₃. Utilisez un kit pour vérifier le niveau d'Alcalinité Totale de l'eau, et ajustez manuellement si c'était nécessaire.

5.5.1. CONNEXION DE LES SONDES DE PH/ORP

Connectez les sondes de pH /ORP fournis avec l'unité aux connecteurs BNC correspondants situés sur la base de l'unité (Fig. 26).

5.5.2. CONNEXION DE LA POMPE DE DOSAGE

Les systèmes DOMOTIC Series (modèles DOM-XX PH et DOM-XX PLUS) disposent d'un connecteur sur sa base pour la connexion d'une pompe de dosage pour le contrôle de pH de l'eau de la piscine. La pompe de dosage peut être connectée au moyen du connecteur CEE22 fourni à cet effet avec l'équipement (Fig. 26).

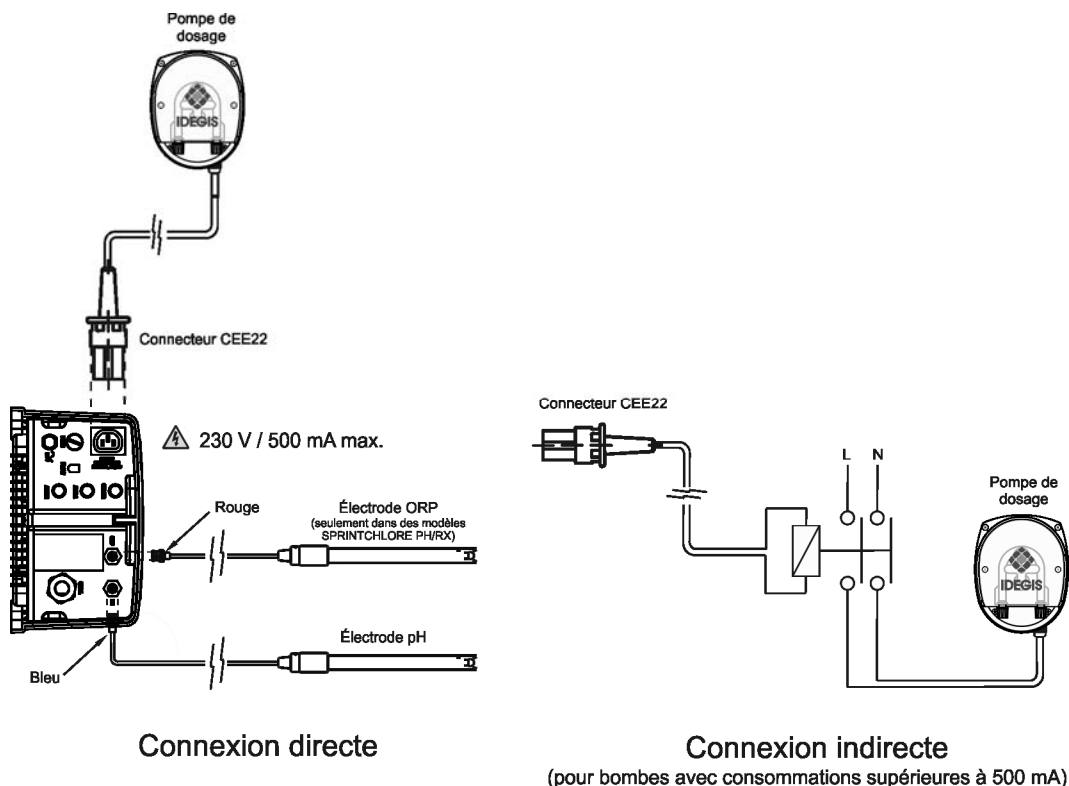


Fig. 26

5.5.3. PROGRAMMATION DE LA VALEUR DE PH

Maintenir appuyée la touche « SET » [20] jusqu'à ce que l'écran [18] indique la valeur de pH désiré dans le rang 7.0 - 7.8. Une fois la valeur sélectionnée, relâcher la touche.

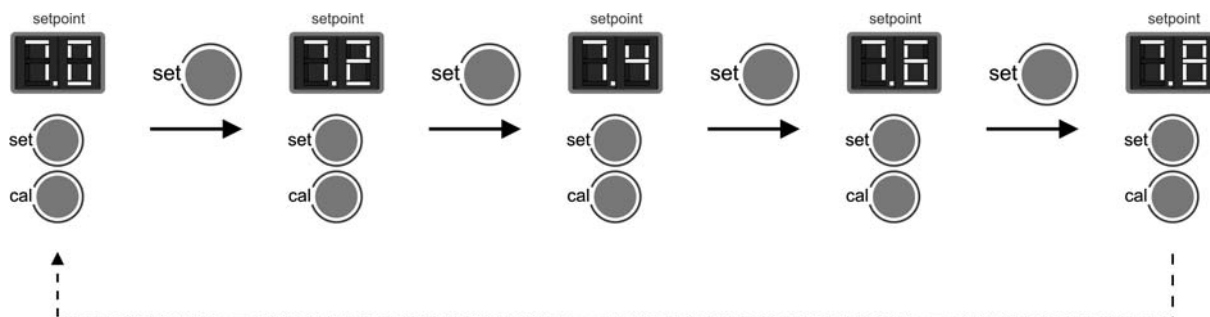


Fig. 27

5.5.4. PROGRAMMATION DE LA VALEUR DE ORP (seulement dans des modèles DOM-XX PLUS)

Maintenir appuyée la touche « SET » [26] jusqu'à ce que l'écran [24] indique la valeur de ORP désiré dans le rang 600-850 mV . Une fois la valeur sélectionnée, relâcher la touche.

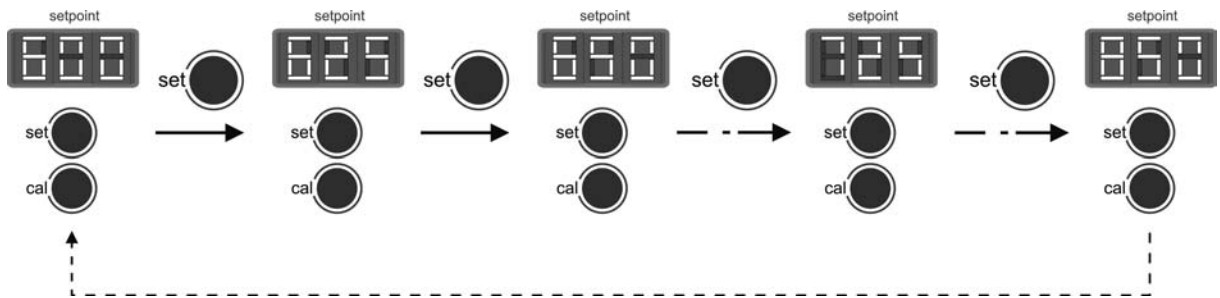


Fig. 27b.

5.5.5. CONFIGURATION DE L'ARRÊT DE SÉCURITÉ DE LA POMPE DE DOSAGE (FONCTION PUMP-STOP)

Le contrôleur de pH intégré dispose d'un système de sécurité (FONCTION PUMP-STOP) qui agit sur la pompe de dosage, ce qui permet d'éviter les situations suivantes :

- Dommages causés par le fonctionnement de la pompe a vide (produit pH minus épuisé).
- Surdosage de produit de minoration de pH (Sonde endommagée ou épuisée).
- Problèmes de régulation du pH du a une alcalinité élevée dans l'eau (remplissage de la piscine, niveaux de carbonates élevés).

Lorsque la FONCTION PUMP-STOP est activée (configurée par défaut), le système détiendra la pompe doseuse une fois écoulé le temps programmé sans pour autant avoir atteint le niveau de consigne programmé.

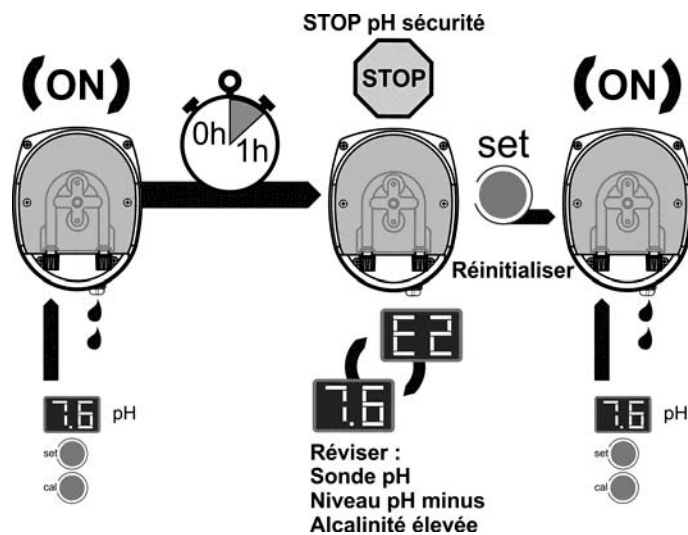


Fig. 27c.

La FONCTION PUMP-STOP est configurée sortie d'usine à 60 MINUTES. Pour modifier cette valeur, réaliser la procédure suivante:

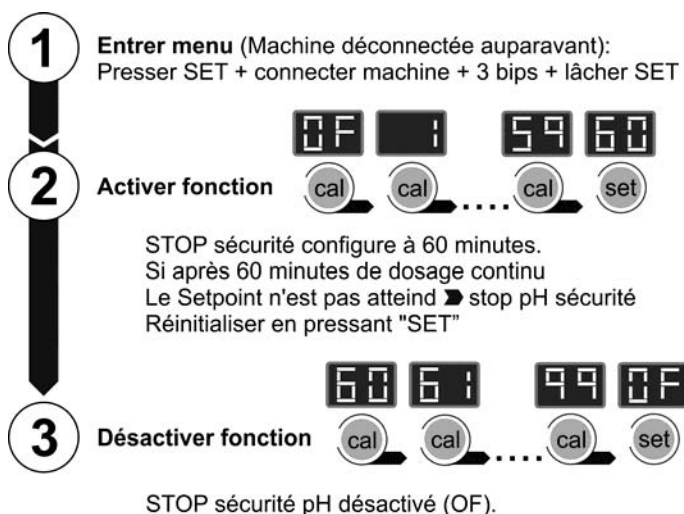


Fig. 27d.

5.6. ALARMES

- **HAUT NIVEAU DE SEL**

Dans le cas où l'on aurait ajouté trop de sel, la source d'alimentation diminuera automatiquement le niveau de production par rapport au niveau sélectionné. Le led « **HIGH SALT** » [7] restera illuminé. Dans ce cas, vider une partie de la piscine (par exemple, environ un 10%), et ajouter de l'eau fraîche pour diminuer la concentration de sel. Pour une connaissance précise du niveau de sel, nous recommandons d'utiliser un appareil de mesure portable de salinité-température.

- **FAIBLE NIVEAU DE SEL**

Dans le cas où le niveau de sel dans l'eau de la piscine serait inférieur au niveau recommandé, la source d'alimentation ne pourra pas atteindre le niveau de sortie sélectionné. Le led « **LOW SALT** » [6] restera illuminé. Dans ce cas, déterminer le niveau de salinité de l'eau et ajouter la quantité de sel nécessaire. Le type de sel commun (NaCl) indiqué pour électrolyse saline ne doit pas présenter d'additifs (antiagglomérants, iodures) et doit être apte à la consommation humaine. Il est possible que le système indique un niveau de sel bas si la température est inférieure à 20°C. Pour une connaissance précise du niveau de sel, nous recommandons d'utiliser un appareil de mesure portable de salinité-température.

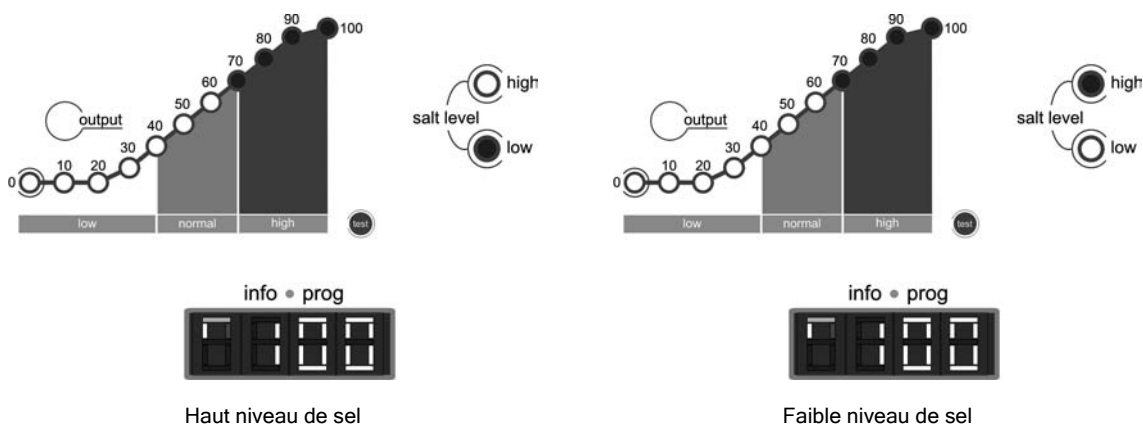
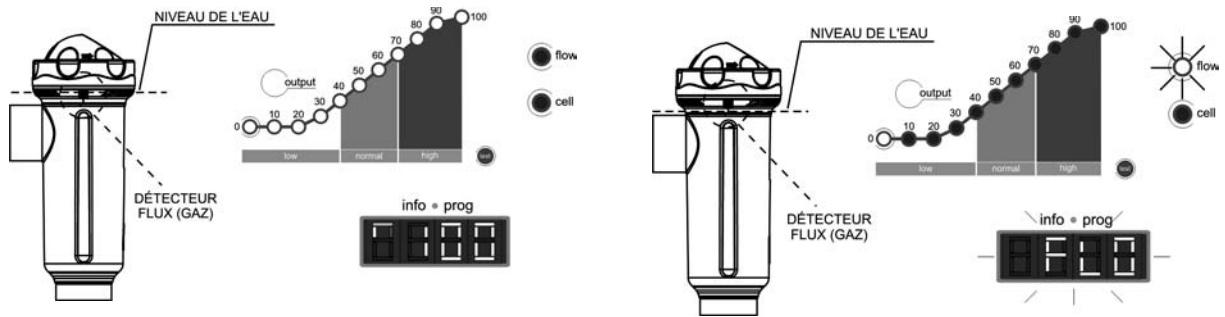


Fig. 28

- **NIVEAU D'EAU EN CELLULE/DÉTECTEUR DÉBIT (GAZ)**

S'il apparaît une bulle d'air ou gaz dans la partie supérieure de la cellule d'électrolyse et le DÉTECTEUR DE FLUX n'est pas immergé, le système arrêtera automatiquement la production, le led « **FLOW** » [12] clignotera et en plus le message « **FLO** » s'affichera sur l'écran d'information du système [11]. Le système se réarme automatiquement une fois que le passage de l'eau est rétabli dans la cellule ou que la bulle est évacuée.



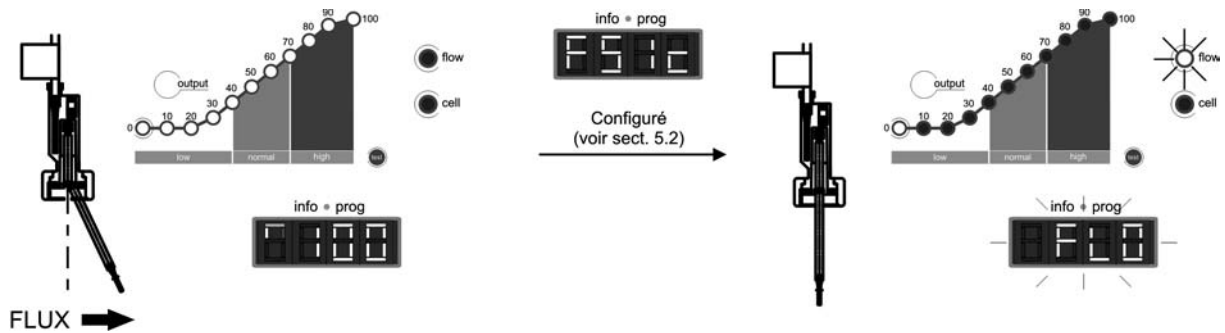
1. Détecteur de gaz immergé. Système opérationnel.

2. Gaz détecté. Flux insuffisant. Système arrêté.

Fig. 29

- **DÉTECTEUR DÉBIT EXTERNE / INTERRUPTEUR FLUX OPTIONNEL (non compris dans l'équipement)**

Si durant le processus de configuration du système (section 5.2) l'entrée pour l'interrupteur de flux externe, le système déconnectera automatiquement la production, le led « **FLOW** » [12] clignotera, et de plus le message « **FLO** » s'affichera sur l'écran d'information du système [11]. Le système se réarme automatiquement une fois que le passage de l'eau est rétabli dans l'interrupteur de flux.



1. Détecteur de flux activé (contact fermé). Système opérationnel.

2. Détecteur de flux au repos (contact ouvert). Système arrêté.

Fig. 30

• **ÉLECTRODES**

Le système DOMOTIC Series dispose d'un led d'indication de fonctionnement défectueux des électrodes de la cellule d'électrolyse [13]. Ce mauvais fonctionnement est normalement dû au processus de passivation des électrodes une fois qu'elles ont atteint la fin de leur durée de vie utile. Néanmoins, et bien qu'il s'agisse d'un système autonettoyant, ce mauvais fonctionnement pourrait aussi être dû à la formation excessive d'incrustations sur les électrodes si l'on fait fonctionner le système dans des eaux de grande dureté et à pH élevé.

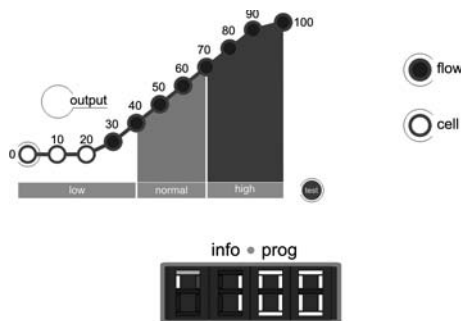


Fig. 31A

• **TEMPS DE FONCTIONNEMENT (version du firmware 3.3.0 et suivantes)**

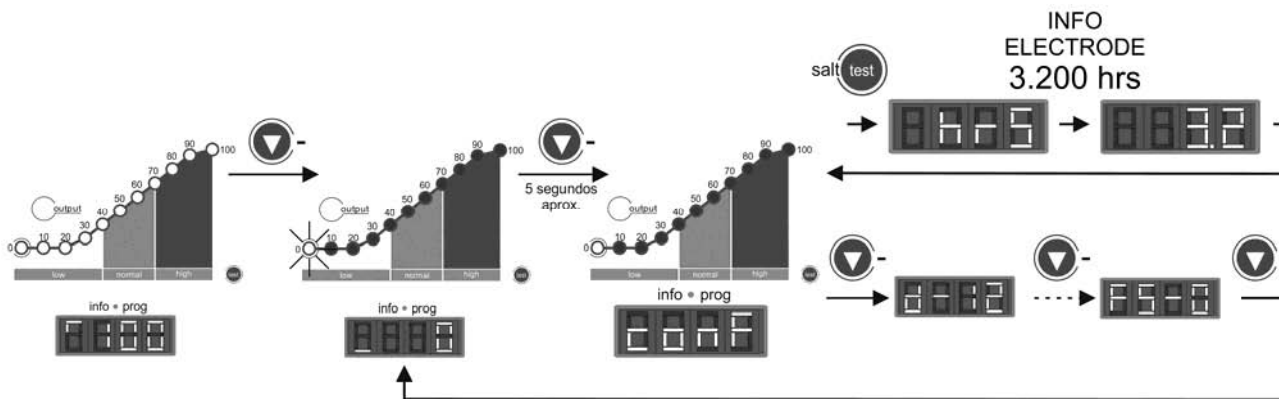


Fig. 31B

• **VALEUR PH / ORP HORS DE RANG (seulement dans des modèles DOM-XX PH et DOM-XX PLUS)**

Le contrôleur de pH/ORP intégré dispose de deux leds ALARME, qui s'illuminent toujours dans le cas de détection d'une valeur anormale de pH inférieure à 6.5 « LOW » [19] ou supérieure à 8.5 « HIGH » [16], ou d'ORP hors du rang 600 mV « LOW » [25] - 850 mV « HIGH » [22] Lorsque le régulateur détecte une alarme de PH active, il ouvre la sortie de contrôle de la pompe de dosage (pH) qui restera arrêtée par sécurité.

6. ENTRETIEN:

6.1. Entretien de la cellule d'électrolyse

La cellule doit se maintenir dans des conditions adéquates pour assurer une longue durée de fonctionnement. Le système d'électrolyse saline dispose d'un système de nettoyage automatique des électrodes qui évite la formation d'incrustations calcaires et c'est pourquoi, en principe, il ne sera pas nécessaire les nettoyer. Cependant, si le nettoyage à l'intérieur de la cellule est nécessaire, procédez de la manière suivante :

1. Débrancher l'alimentation 230 Vac du système.
2. Dévisser l'écrou de fermeture situé aux extrémités où se trouvent les électrodes, et extraire le paquet d'électrodes.
3. Utiliser une solution diluée d'acide chlorhydrique (une dose d'acide dans 10 doses d'eau), en submergeant le paquet d'électrodes dans celle-ci pendant 10 minutes maximum.
4. NE JAMAIS GRATTER OU BROSSER LA CELLULE OU LES ELECTRODES.

Il faut tenir compte du fait que les électrodes d'un système d'électrolyse saline sont constituées de lames de titane recouvertes d'une couche d'oxyde de métaux nobles. Les procédés d'électrolyse qui ont lieu sur sa surface produisent son usure progressive. Afin d'optimiser le temps de durée des électrodes il est important de tenir en compte les aspects suivants:

1. Bien qu'il s'agisse de systèmes d'électrolyse saline AUTONETTOYANTS, un fonctionnement prolongé du système avec des valeurs de pH supérieures à 7,6 dans des eaux d'une dureté élevée peut produire l'accumulation de dépôts calcaires sur la surface des électrodes. Ces dépôts détérioreront progressivement le recouvrement, occasionnant une diminution de son temps de vie utile.
2. Ne pas effectuer trop fréquemment des lavements du paquet d'électrodes comme ceux décrits antérieurement.
3. Le fonctionnement prolongé du système à des salinités inférieures à 3 g/l occasionne une détérioration prématurée des électrodes.
4. L'utilisation fréquente de produits algicides à contenus élevés en cuivre peut provoquer un dépôt de celui-ci sur les électrodes, détériorant progressivement le recouvrement. Pensez que le meilleur algicide c'est le chlore.

6.2. Calibrage de la sonde de pH (seulement dans des modèles DOM-XX PH et DOM-XX PLUS)

Le contrôleur de pH intégré dispose de deux modes de calibrage de la sonde de pH : «FAST» (rapide) et «STANDARD». Nous recommandons de l'effectuer au moins une fois par mois pendant à l'utilisation de la piscine.

6.2.1. MODE « FAST »

Le MODE « FAST » permet le calibrage courant de la sonde face à de petites déviations **sans avoir besoin d'extraire de la sonde de l'installation ni l'utilisation de solutions de calibrage.**

PROCÉDURE:

1. Être assuré que le point où est insérée la sonde est inondé, et la pompe est reliée.
2. Au moyen d'un kit de mesure de pH, mesurer le pH actuel de l'eau de la piscine.
3. Appuyer sur la touche « CAL » [17] pendant environ 5 sec. jusqu'à ce que l'équipement émette un sifflement et relâcher la touche. L'écran d'affichage de pH [18], indiquera « 7.0 » en clignotant.
4. Maintenir par pulsation la touche « SET » [20] jusqu'à ce qu'apparaisse la valeur de pH mesuré dans l'eau précédemment au moyen du kit correspondant. Une fois atteint, relâcher et pousser la touche « CAL » [17]. Si aucune erreur n'est détectée, le système a été calibré correctement.

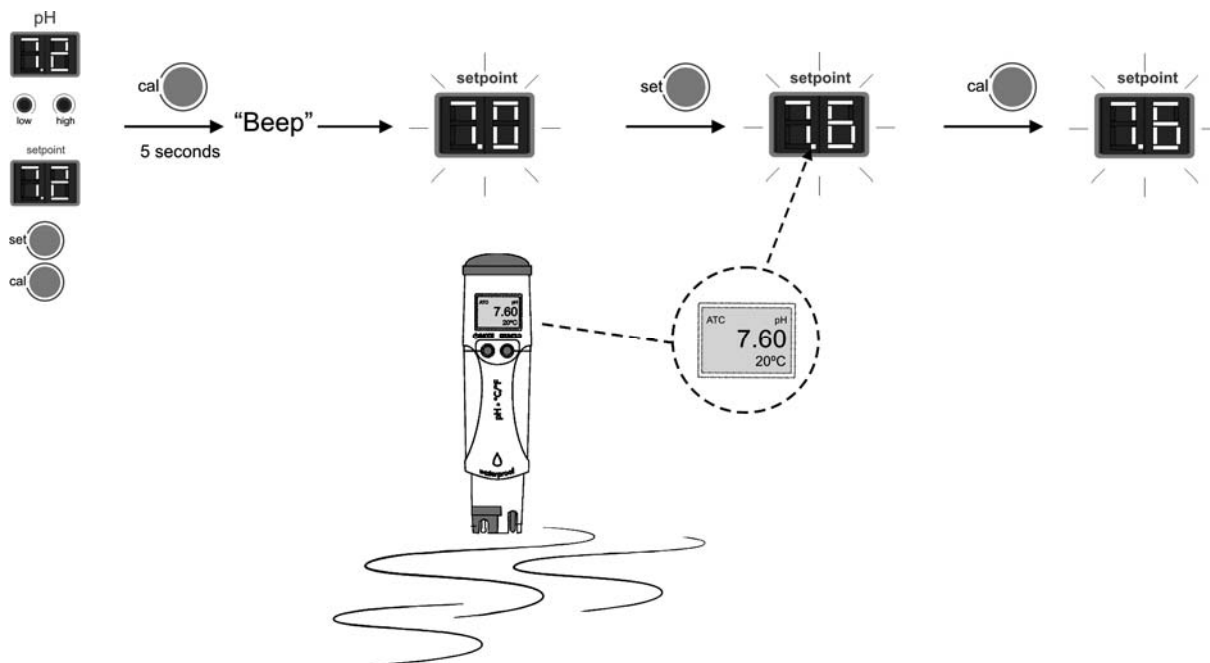


Fig. 32

6.2.2. MODE « STANDARD »

Le MODE « **STANDARD** » permet le calibrage nécessaire de la sonde par l'emploi de deux dissolutions de pH 7.0 et 4.0, il requiert toutefois **l'extraction de la sonde de l'installation.**

PROCÉDURE:

IMPORTANT: avant de la fermeture des valves du by-pass, arrêter le système dans le panneau de contrôle (voir Section 5.1).

1. Extraire la sonde du porte-sondes et le laver avec de l'eau abondante.



Fig. 33

2. Appuyer sur la touche « **CAL** » [17] jusqu'à ce que l'équipement émette un sifflement, et sans relâcher cette touche, appuyez sur la touche « **SET** » [20] pendant quelques secondes, jusqu'à ce que l'écran d'affichage de pH [15] indique « **7.0** » en clignotant.
3. Agiter doucement la sonde pour enlever les gouttes d'eau qui pourraient y être adhérentes et l'introduire dans la solution de référence pH=7.0 (couleur verte). Agiter doucement pendant quelques secondes et appuyer sur la touche « **CAL** » [17]. Une fois la lecture stabilisée, l'indication « **4.0** » clignotera sur l'écran. [15].

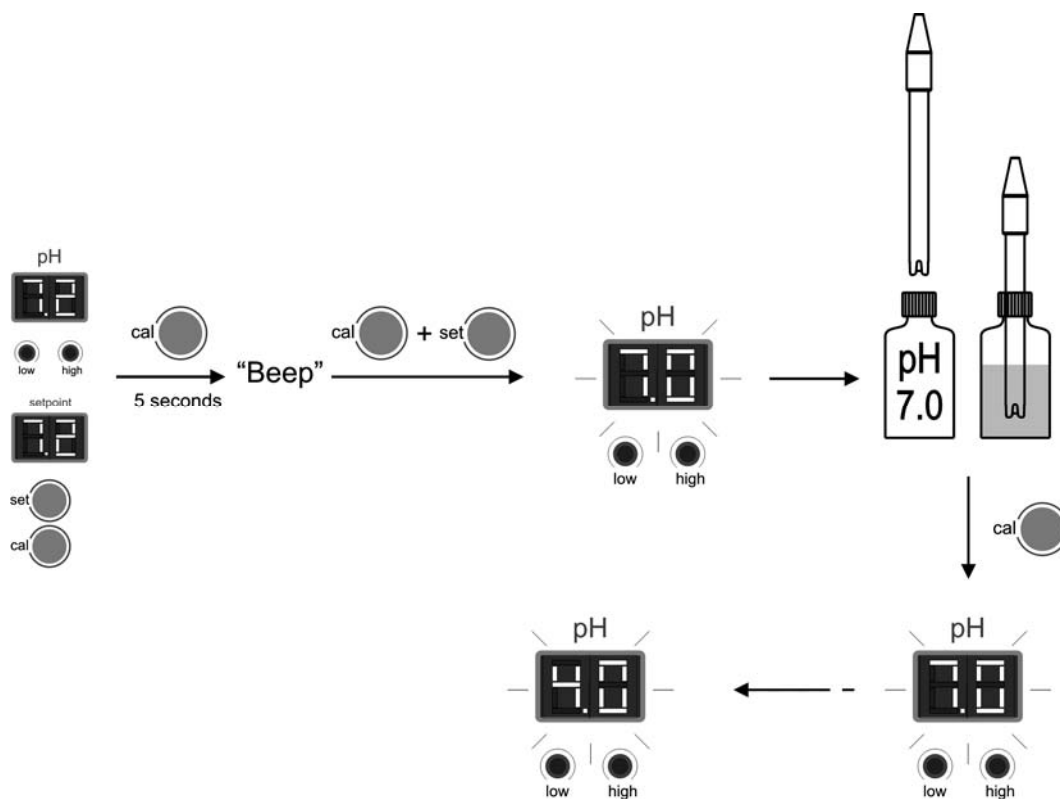


Fig. 34

4. Extraire la sonde de la dissolution et la rincer abondamment avec de l'eau.
5. Agiter doucement la sonde pour détacher les gouttes d'eau qui pourraient être adhérentes à ce dernière et l'introduire dans la dissolution de calibrage pH=4.0 (couleur rouge). Agiter doucement quelques secondes et pousser « **CAL** » [17]. Une fois stabilisée la lecture, le contrôleur sortira automatiquement du mode de calibrage et sera opérationnel.

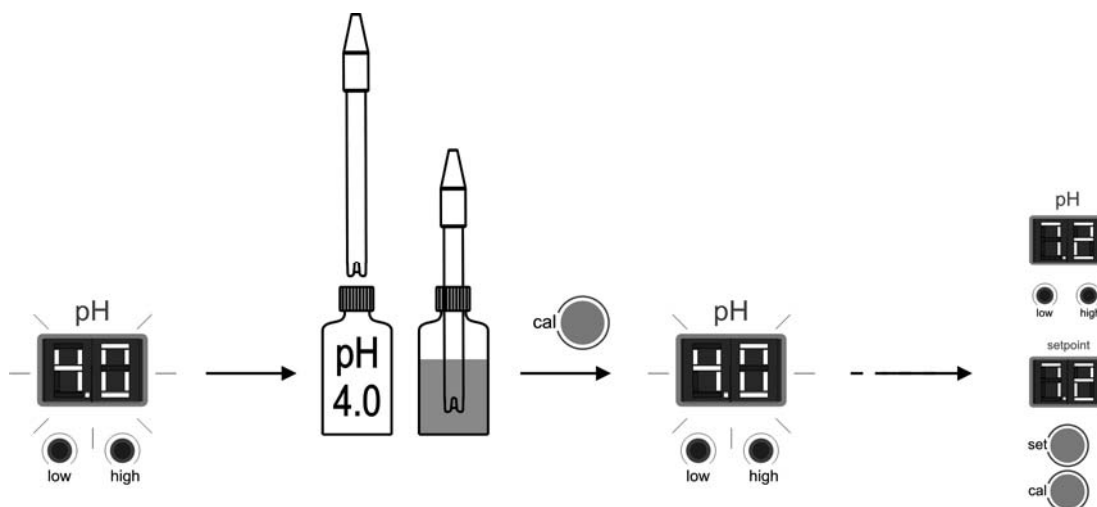


Fig. 35

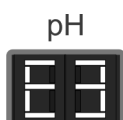
MESSAGES D'ERREUR:



Si la procédure de calibrage est interrompue pour n'importe quel motif, le contrôleur sortira automatiquement du mode calibrage passé quelques secondes sans qu'on détecte l'intervention de l'utilisateur. Dans ce cas, apparaîtra pendant un moment l'indication « E1 » dans l'écran [15].



Si la mesure de pH détecté pendant le calibrage est très différente à celle attendue (sonde défectueuse, etc.), l'écran [15] indiquera « E2 ». Le calibrage de la sonde ne sera pas possible.



Si la mesure de pH est instable pendant la procédure de calibrage, apparaîtra le code « E3 » sur l'écran [15]. De même, le calibrage de la sonde ne sera pas possible.

6.3. Calibrage de la sonde d'ORP (seulement dans des modèles DOM-XX PLUS)

La fréquence de calibrage de l'équipement devra concrètement être déterminée dans chaque application. Cependant, nous recommandons de l'effectuer au moins, une fois par mois pendant à l'époque d'utilisation de la piscine. Le contrôleur d'ORP dispose d'un système de calibrage automatique des sondes d'ORP par l'emploi d'une dissolution standard de 470 mV.

PROCÉDURE:

IMPORTANT : avant de la fermeture des valves du by-pass, arrêter le système dans le panneau de contrôle (voir Section 5.1).

1. Extraire la sonde du raccord et le laver avec de l'eau abondante.

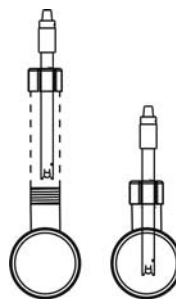


Fig. 36

2. Pousser la touche « CAL » [23] pendant quelques secondes, jusqu'à ce que le écran d'indication de ORP [24] clignote et indique « 470 ».
3. Agiter doucement la sonde pour détacher les gouttes d'eau qui pourraient être adhérentes à ce dernier et l'introduire dans la dissolution de calibrage (470 mV). Agiter doucement quelques secondes et pousser « CAL » [23]. Si le processus a conclu

d'une manière satisfaisante, une allongé « beep » sera écouté et le contrôleur sera calibré et préparé pour fonctionner.

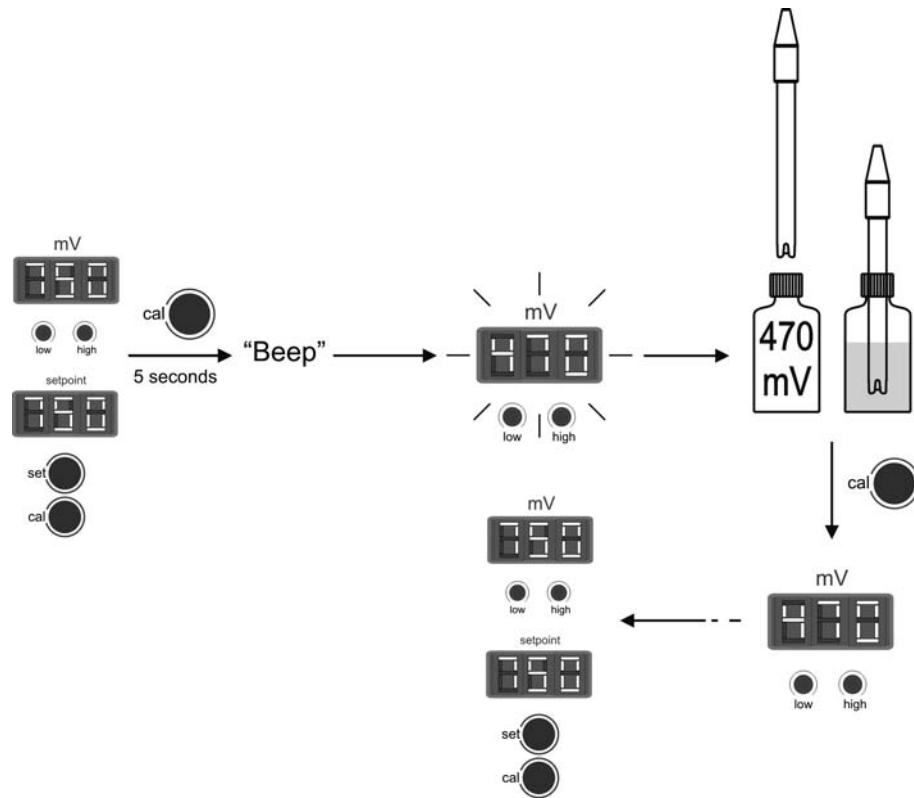
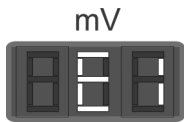
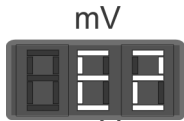


Fig. 37

MESSAGES D'ERREUR:



Si la procédure de calibrage est interrompu pour tout motif, le contrôleur sortira automatiquement du mode calibrage passé quelques secondes sans qu'on détecte l'intervention de l'utilisateur. Dans ce cas, apparaîtra pendant un moment l'indication « E1 » dans le écran [20].



Si la mesure d'ORP détecté pendant le calibrage est très différente à celle attendue (sonde défectueuse, etc.), le écran [20] indiquera « E2 ». Le calibrage de la sonde ne sera pas possible.



Si la mesure d'ORP est instable pendant le procédure de calibrage, apparaîtra le code « E3 » dans le écran [20]. De même, le calibrage de la sonde ne sera pas possible.

6.4. Entretien des sondes de pH/ORP

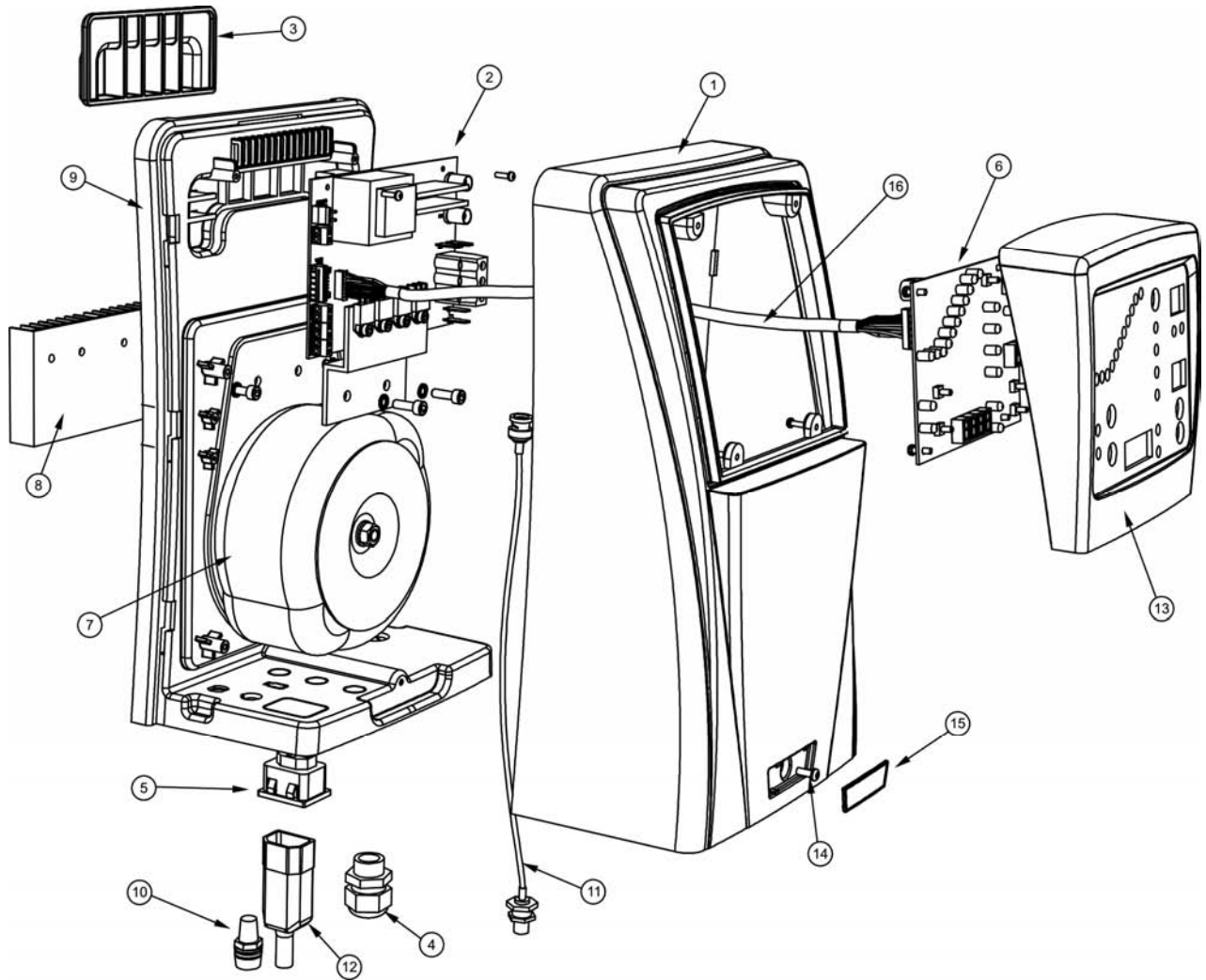
1. Vérifier que la membrane de la sonde reste à tout moment humide.
2. Si la sonde n'est pas utilisée pendant une longue période, préservez la submergé dans une dissolution de conservation à pH=4.0.
3. Pour nettoyer la sonde de toute saleté, éviter d'utiliser des matériaux abrasifs qui peuvent rayer la surface de mesure.
4. **Les sondes de pH/ORP sont une partie consommable et aura besoin d'être remplacée passé un temps d'opération.**

7. SOLUTION DE PROBLÈMES:

Il faut toujours débrancher l'appareil du réseau électrique avant d'entreprendre toute action requise pour y solutionner de possibles problèmes. Tout problème qui n'est pas envisagé dans la liste suivante devra être résolu par un technicien agréé d'IDEGIS.

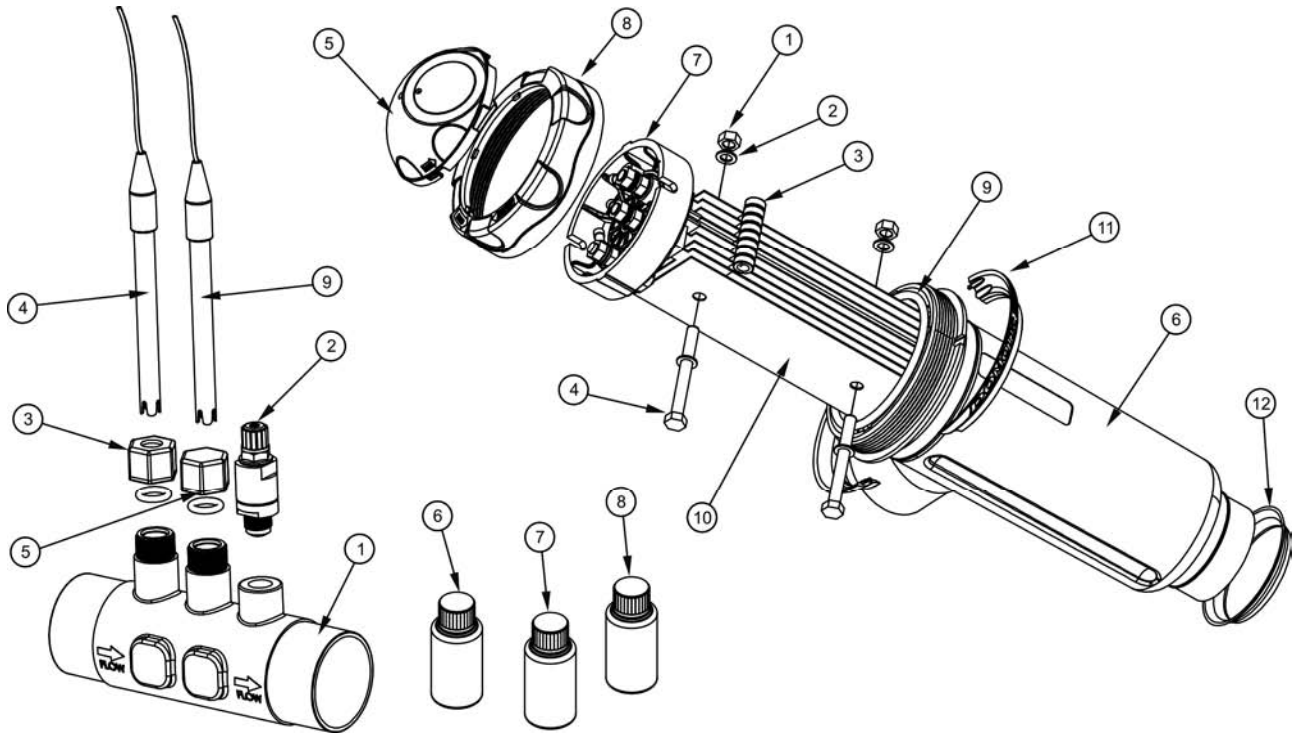
PROBLÈME	SOLUTION
<p>L'indicateur de production indique toujours « 0 » dans tout niveau de production choisi.</p>	<p>Vérifier l'état des électrodes.</p> <p>Vérifier les connexions électriques entre la source d'alimentation et la cellule d'électrolyse.</p> <p>Vérifier la concentration de sel.</p>
<p>La source d'alimentation ne se connecte pas</p>	<p>Vérifier que le système est convenablement alimenté à 230 V/ 50-60 Hz depuis le cadran de manoeuvre de l'épurateur.</p> <p>Vérifier l'état du fusible situé sur la partie inférieure de la source d'alimentation.</p>
<p>Le niveau de chlore dans la piscine est faible.</p>	<p>Vérifier que le système produit du chlore dans le retour de la piscine.</p> <p>Vérifier que les paramètres chimiques de l'eau (pH, chlore combiné, acide isocyanurique) sont corrects.</p> <p>Augmenter le temps de filtration</p> <p>Ajouter stabilisant (acide isocyanurique) jusqu'à atteindre une concentration de 25-30 g./m³.</p>
<p>Le contrôleur pH/ORP indique toujours valeurs extrêmes, ou les lectures sont instables.</p>	<p>La connexion du câble à la sonde est défectueuse. Nettoyer les contacts ou remplacer le câble</p> <p>La sonde a une bulle d'air dans la zone de la membrane. Placer la sonde en position verticale. Agiter doucement jusqu'à ce que la bulle se déplace vers le haut.</p> <p>Sonde défectueuse. Le câble de connexion est trop long ou est trop près de sources d'interférence électromagnétique (moteurs, etc.). Remplacer par une nouvelle sonde. Situer l'équipement plus près de la sonde.</p>
<p>Impossible calibrer la sonde de pH/ORP</p>	<p>Dissolution de calibrage en mauvais état.</p> <p>Membrane de la sonde bloquée. Vérifier que la membrane ne soit pas endommagée Nettoyer la sonde avec acide dilué dans en eau, agitant légèrement.</p> <p>Sonde défectueuse. Remplacer par une nouvelle sonde.</p>
<p>Réponse lente de la sonde</p>	<p>Sonde avec charge électrostatique. Pendant la phase de calibrage, les sondes ne doivent être séchées avec un chiffon. Nettoyer exclusivement avec de l'eau et agiter doucement.</p> <p>Rénovation insuffisante de l'eau analysée (débit nul par le point d'échantillon). Être assuré que dans le point de mesure de la sonde, il existe un niveau d'eau suffisant et aucune bulle.</p>

8. COMPOSANTS:



SOURCE D'ALIMENTATION

ID	CODE	DESCRIPTION	DOM 12	DOM 24	DOM 32	DOM 42	DOM 12 PH	DOM 24 PH	DOM 32 PH	DOM 42 PH	DOM 12 PLUS	DOM 24 PLUS	DOM 32 PLUS	DOM 42 PLUS	CANT
1	DOM00-13	Couvercle source d'alimentation	X	X	X	X	X	X	X	X	X	X	X	X	1
2	DOM10-03	Carte puissance AC-12	X												1
2	DOM18-03	Carte puissance AC-22		X											1
2	DOM25-03	Carte puissance AC-30			X										1
2	DOM40-03	Carte puissance AC-7				X									1
2	DOM10-04	Carte puissance AC-12/PH					X								1
2	DOM18-04	Carte puissance AC-22/PH						X							1
2	DOM25-04	Carte puissance AC-30/PH							X						1
2	DOM40-04	Carte puissance AC-7/PH								X					1
2	DOM10-05	Carte puissance AC-12/PH/ORP									X				1
2	DOM18-05	Carte puissance AC-22/PH/ORP										X			1
2	DOM25-05	Carte puissance AC-30/PH/ORP											X		1
2	DOM40-05	Carte puissance AC-7/PH/ORP												X	1
3	DOM00-14	Fixation source d'alimentation	X	X	X	X	X	X	X	X	X	X	X	X	1
4	DOM00-03	Passe-câbles M20	X	X	X	X	X	X	X	X	X	X	X	X	1
5	DOM00-04	Connecteur CEE22 F pompe pH					X	X	X	X	X	X	X	X	1
6	DOM00-05	Carte visualisation électrolyse	X	X	X	X									1
6	DOM00-15	Carte visualisation électrolyse/PH					X	X	X	X					1
6	DOM00-26	Carte visualisation électrolyse/PH/ORP									X	X	X	X	1
7	DOM10-02	Transformateur puissance 190 VA	X				X				X				1
7	DOM18-02	Transformateur puissance 370 VA		X				X				X			1
7	DOM25-02	Transformateur puissance 480 VA			X				X				X		1
7	DOM40-02	Transformateur puissance 490 VA				X				X				X	1
8	DOM00-07	Dissipateur externe	X	X	X	X	X	X	X	X	X	X	X	X	1
9	DOM00-16	Structure interne contrôleurs	X	X	X	X	X	X	X	X	X	X	X	X	1
10	DOM00-09	Porte-fusible	X	X	X	X	X	X	X	X	X	X	X	X	1
11	DOM00-10	Câble BNC interne					1	1	1	1	2	2	2	2	2
12	DOM00-11	Connecteur CEE22 M pompe pH					X	X	X	X	X	X	X	X	1
13	DOM00-17	Couvercle frontal terminal de contrôle	X	X	X	X	X	X	X	X	X	X	X	X	1
14	DOM00-18	Vis fix. couvercle source d'alimentation	X	X	X	X	X	X	X	X	X	X	X	X	1
15	DOM00-19	Enjoliveur vis fixation	X	X	X	X	X	X	X	X	X	X	X	X	1
16	DOM00-20	Câble connexion carte puissance-visual.	X	X	X	X	X	X	X	X	X	X	X	X	1



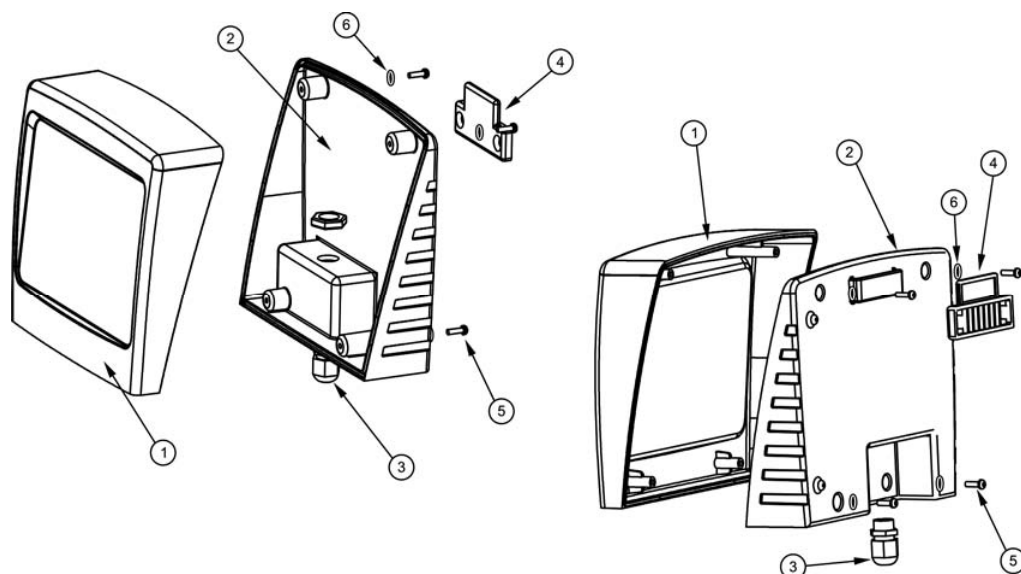
PORTE-SONDES

ID	CODE	DESCRIPTION	DOM 12	DOM 24	DOM 32	DOM 42	DOM 12 PH	DOM 24 PH	DOM 32 PH	DOM 42 PH	DOM 12 PLUS	DOM 24 PLUS	DOM 32 PLUS	DOM 42 PLUS	CANT
1	R-127	Corps porte-sondes					X	X	X	X	X	X	X	X	1
2	R-035	Vanne injection pH-minus 3/8" *					X	X	X	X	X	X	X	X	1
3	R-028	Raccord PE 12 mm					1	1	1	1	2	2	2	2	
4	H-035	Sonde pH					X	X	X	X	X	X	X	X	1
5	R-127-01	Bouchon M25 H					X	X	X	X					1
6	R-025	Solution calibration pH 7.0 (verte)					X	X	X	X	X	X	X	X	1
7	R-026	Solution calibration pH 4.0 (rouge)					X	X	X	X	X	X	X	X	1
8	R-027	Solution calibration ORP (470 mV)									X	X	X	X	1
9	RX-02	Sonde ORP EX									X	X	X	X	1

* non comprise dans l'équipement

CELLULE D'ÉLECTROLYSE

ID	CODE	DESCRIPTION	DOM 12	DOM 24	DOM 32	DOM 42	DOM 12 PH	DOM 24 PH	DOM 32 PH	DOM 42 PH	DOM 12 PLUS	DOM 24 PLUS	DOM 32 PLUS	DOM 42 PLUS	CANT
1	R-015-04	Écrou M8 Nylon pour électrodes	X	X	X	X	X	X	X	X	X	X	X	X	1
2	R-015-02	Rondelle PP 1mm épaisseur	X	X	X	X	X	X	X	X	X	X	X	X	1
3	R-015-03	Séparateur PP pour électrodes	X	X	X	X	X	X	X	X	X	X	X	X	1
4	R-015-01	Vis PP M8 porte-électrodes	X	X	X	X	X	X	X	X	X	X	X	X	1
5	R-303	Protecteur contacts	X	X	X		X	X	X		X	X	X		1
5	R-015-07	Protecteur contacts DOM-42				X				X				X	1
6	R-301	Cellule	X	X	X		X	X	X		X	X	X		1
6	R-010	Cellule DOM-42				X				X				X	1
7	R-015-05 DOM	Support électrodes DOMOTIC	X	X	X		X	X	X		X	X	X		1
7	R-015-05 BIP	Support électrodes DOM-42				X				X				X	1
8	R-302	Couvercle fermeture cellule	X	X	X		X	X	X		X	X	X		1
8	R-015-06	Couvercle fermeture cellule DOM-42				X				X				X	1
9	R-300	Joint cellule	X	X	X		X	X	X		X	X	X		1
9	R-015-08	Joint cellule DOM-42				X				X				X	1
10	R-058	Électrodes DOMOTIC Series 10	X				X				X				1
10	R-059	Électrodes DOMOTIC Series 18		X				X				X			1
10	R-060	Électrodes DOMOTIC Series 25			X				X				X		1
10	R-204	Électrodes DOMOTIC Series 40				X				X				X	1
11	R-010-01	Anneau enjoliveur supérieur	X	X	X		X	X	X		X	X	X		1
12	R-010-02	Anneau enjoliveur sortie cellule	X	X	X		X	X	X		X	X	X		1



TERMINAL EXTRACTIBLE OPTIONEL (non compris dans l'équipement)

ID	CODE	DESCRIPTION	DOM 12	DOM 24	DOM 32	DOM 42	DOM 12 PH	DOM 24 PH	DOM 32 PH	DOM 42 PH	DOM 12 PLUS	DOM 24 PLUS	DOM 32 PLUS	DOM 42 PLUS	CANT
1	DOM00-021	Couvercle de protection	X	X	X	X	X	X	X	X	X	X	X	X	1
2	DOM00-022	Base terminal de contrôle	X	X	X	X	X	X	X	X	X	X	X	X	1
3	DOM00-023	Passe-câbles M12	X	X	X	X	X	X	X	X	X	X	X	X	1
4	DOM00-024	Fixation au mur	X	X	X	X	X	X	X	X	X	X	X	X	1
5	DOM00-025	Vis fixation 3x8 mm	X	X	X	X	X	X	X	X	X	X	X	X	4
6	DOM00-025	Joint vis fixation	X	X	X	X	X	X	X	X	X	X	X	X	4

9. CARACTERISTIQUES TECHNIQUES:

SPÉCIFICATIONS TECHNIQUES:

Tension de service standard

230V AC - 50/60 Hz.
Câble: 3 x 1.0 mm², long. 2 m.
Domotic Series 12 0.36 A
Domotic Series 24 0.72 A
Domotic Series 32 0.89 A
Domotic Series 42 0.89 A

Fusible

Domotic Series 12 2A T (5x20 mm)
Domotic Series 24 3.15A T (5x20 mm)
Domotic Series 32 4A T (5x20 mm)
Domotic Series 42 4A T (5x20 mm)

Voltage sortie

8 - 9 V DC (24 V DC DOM40)
Câble 3 x 4 mm², long. 2 m.
Domotic Series 12 12 A (2x6 A)
Domotic Series 24 24 A (2x12 A)
Domotic Series 32 32 A (2x16 A)
Domotic Series 42 42 A (6x7 A)

Production

Domotic Series 12 10 - 12 g./h.
Domotic Series 24 20 - 24 g./h.
Domotic Series 32 25 - 32 g./h.
Domotic Series 42 34 - 42 g./h.

Débit recirculation minimum

Domotic Series 12 2 m³/h.
Domotic Series 24 4 m³/h.
Domotic Series 25 6 m³/h.
Domotic Series 42 8 m³/h.

Nombre électrodes

Domotic Series 12 5
Domotic Series 24 7
Domotic Series 32 7
Domotic Series 42 13

Poids net (emballage compris)

Domotic Series 12 11 Kg.
Domotic Series 24 13 Kg.
Domotic Series 32 15 Kg.
Domotic Series 42 17 Kg.

CARACTÉRISTIQUES GÉNÉRALES:

Système de contrôle

- Microprocesseur.
- Clavier de membrane avec des touches de contrôle et leds indicateurs de fonctionnement.
- E/S de contrôle: 3 entrées (type contacte libre de potentiel) pour l'interrupteur flux, l'état de la couverture automatique et le contrôleur d'ORP / chlore résiduel.
- Sortie cellule: contrôle de production (11 niveaux discrets).
- Contrôleur pH intégré (seulement dans les modèles DOM-XX PH et DOM-XX PLUS).
- Contrôleur ORP intégré (seulement dans les modèles DOM-XX PLUS).

Auto-nettoyage

Inversion de polarité automatique.

Température de travail

De 0°C à +.40°C
Réfrigération: convection naturel

Matériel

Source d'alimentation / Terminal de contrôle
○ ABS
Cellule d'électrolyse et porte-sondes
○ Métacrylate transparent

Sonde pH (modèles DOM-XXPH et DOM-XX PLUS)

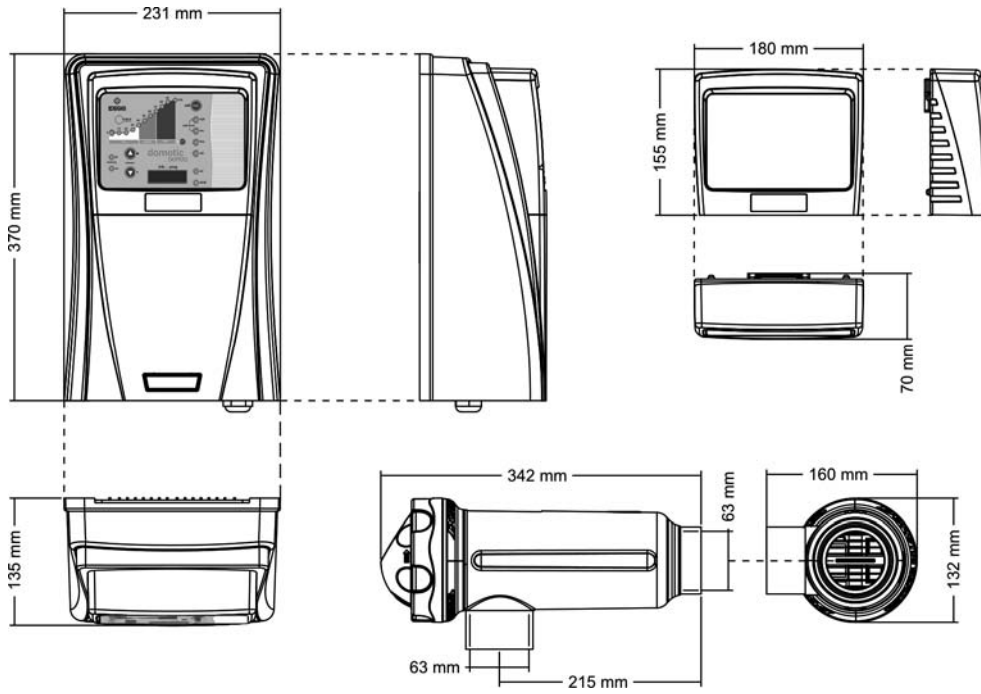
Corps: plastique (couleur bleue)
Rang: 0 -12 pH
Électrolyte solide

Sonde ORP (modèles DOM-XX PLUS)

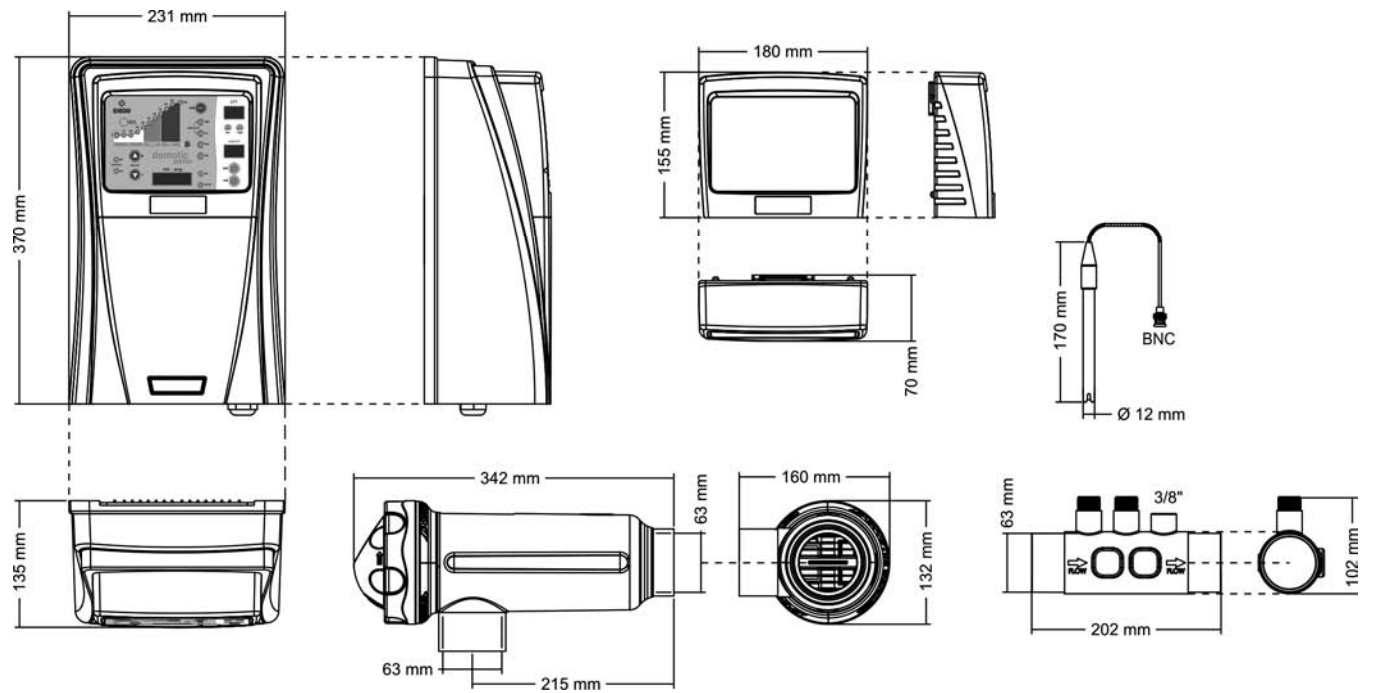
Corps: plastique (couleur rouge)
Rang: 0 - 1000 mV
Électrolyte solide

Dimensions

DOMOTIC (modèles DOM-XX)



DOMOTIC-PH / DOMOTIC-PLUS (modèles DOM-XX PH / DOM-XX PLUS)



10. CONDITIONS DE GARANTIE: _____

10.1. ASPECTS GÉNÉRAUX

- 10.1.1. Conformément à ces dispositions, le vendeur garantit que le produit correspondant à cette garantie ne présente aucun défaut de conformité au moment de sa livraison.
- 10.1.2. La Période de Garantie totale est de 3 ANS.
- 10.1.3. Garanties particulières:
 - 10.1.3.1. Les électrodes sont couvertes par une garantie spéciale de 5 ANS (1) ou 5 000 heures (à la première échéance des deux), sans prolongations.
 - 10.1.3.2. Les capteurs de pH/ORP sont couverts par une garantie de 6 MOIS sans prolongations.
 - 10.1.3.3. Ces périodes de garantie particulières sont soumises en particulier aux limites exposées au paragraphe §10.3.2.
- 10.1.4. En cas de défaut de conformité du produit et si l'acheteur le notifie au vendeur pendant la période de garantie, le vendeur devra réparer ou remplacer le produit à ses frais et à l'endroit qu'il considère opportun, sauf si cela est impossible ou manifestement disproportionné.
- 10.1.5. Lorsqu'il est impossible de réparer ou de remplacer le produit, l'acheteur pourra demander une réduction proportionnelle du prix, ou, si le défaut de conformité est suffisamment important, la résiliation du contrat de vente.
- 10.1.6. Les parties remplacées ou réparées en vertu de cette garantie n'allongeront pas le délai de la garantie du produit original, mais disposeront de leur propre garantie.
- 10.1.7. Pour l'effectivité de la présente garantie, l'acheteur devra justifier la date d'acquisition et de livraison du produit.
- 10.1.8. Lorsque plus de six mois se sont écoulés depuis la livraison du produit à l'acheteur et que celui-ci invoque un défaut de conformité de ce produit, l'acheteur devra justifier l'origine et l'existence du défaut invoqué.
- 10.1.9. Le présent Certificat de Garantie ne limite ni ne préjuge les droits qui correspondent aux consommateurs en vertu de normes nationales à caractère impératif.

10.2. CONDITIONS PARTICULIÈRES

- 10.2.1. Pour l'effectivité de cette garantie, l'acheteur devra suivre strictement les indications du fabricant, comprises dans la documentation qui accompagne le produit, pour autant qu'elle soit applicable en fonction de la gamme et du modèle du produit.
- 10.2.2. Lorsqu'un calendrier est indiqué pour le remplacement, la maintenance ou le nettoyage de certaines pièces ou de certains composants du produit, la garantie sera valable uniquement si ce calendrier a été respecté.

10.3. LIMITATIONS

- 10.3.1. La présente garantie sera uniquement d'application pour les ventes réalisées aux consommateurs, ce terme de « consommateur » correspondant à toute personne qui acquière le produit à des fins n'entrant pas dans le cadre de son activité professionnelle.
- 10.3.2. Les périodes de garantie particulières définies au paragraphe §10.1.3 ne sont pas applicables en cas d'utilisation commerciale du produit dans des établissements ouverts au public (hôtels, centres sportifs, copropriétés, écoles, etc.). Nous appliquerons dans ce cas à partir des 4 500 heures vérifiables de fonctionnement une garantie de type proportionnelle à la durée de fonctionnement restante jusqu'à la période de garantie originale de 5 000 heures.
- 10.3.3. Aucune garantie n'est octroyée en ce qui concerne l'usure normale par utilisation du produit ni en ce qui concerne les pièces, composants et/ou matériaux fongibles ou consommables (à exception de l'électrode).
- 10.3.4. La garantie ne couvre pas les cas où le produit : (i) a été l'objet d'un traitement incorrect ; (ii) a été vérifié, réparé, entretenu ou manipulé par une personne non autorisée ; (iii) a été réparé ou entretenu avec des pièces non originales ou (iv) a été installé ou mis en marche de manière incorrecte.
- 10.3.5. Lorsque le défaut de conformité du produit est la conséquence d'une installation ou d'une mise en marche incorrectes, la présente garantie sera seulement effective lorsque ladite installation ou mise en marche est incluse dans le contrat de vente du produit et a été réalisée par le vendeur ou sous sa responsabilité.
- 10.3.6. Dommages ou défauts du produit dus à une des causes suivantes :
 - o Programmation du système et/ou calibrage inadéquat des sondes de pH/ORP par l'utilisateur.
 - o Fonctionnement à salinités inférieures à 3 g/l. de chlorure de sodium et/ou températures inférieures à 15°C ou supérieures à 40°C.
 - o Fonctionnement à pH supérieur à 7,6.
 - o Emploi de produits chimiques non explicitement autorisés.
 - o Réalisation de travaux de nettoyage des électrodes avec des fréquences beaucoup trop élevées, ou avec des produits et/ou procédés différents de ceux décrits dans le Manuel d'Instructions.
 - o Exposition à des environnements corrosifs et/ou à des températures inférieures à 0°C (32°F) ou supérieures à 50°C (125°F).

IMPORTANTE: El manual de instrucciones que usted tiene en sus manos, contiene información fundamental acerca de las medidas de seguridad a adoptar a la hora de la instalación y la puesta en servicio. Por ello, es imprescindible que tanto el instalador como el usuario lean las instrucciones antes de pasar al montaje y puesta en marcha. Conserve este manual para futuras consultas acerca del funcionamiento de este aparato.



Tratamiento de equipos eléctricos y electrónicos después de su vida útil (sólo aplicable en la U.E.)

Todo producto marcado con este símbolo indica que no puede eliminarse junto con el resto de residuos domésticos una vez finalizada su vida útil. Es responsabilidad del usuario eliminar este tipo de residuo depositándolos en un punto adecuado para el reciclado selectivo de residuos eléctricos y electrónicos. El adecuado tratamiento y reciclado de estos residuos contribuye de forma esencial a la conservación del Medio Ambiente y la salud de los usuarios. Para obtener una información más precisa sobre los puntos de recogida de este tipo de residuos, póngase en contacto con las autoridades locales.

Las instrucciones contenidas en este manual describen el funcionamiento y mantenimiento de los sistemas de Electrolisis de Sal DOMOTIC Series DOM-XX, DOM-XX PH y DOM-XX PLUS. Para conseguir un óptimo rendimiento de los Sistemas de Electrólisis de Sal DOMOTIC Series es conveniente seguir las instrucciones que se indican a continuación:

1. COMPRUEBE EL CONTENIDO DEL EMBALAJE: _____

En el interior de la caja encontrará los siguientes accesorios:

- Fuente de alimentación.
- Célula de electrolisis.
- Sensor combinado de pH (sólo en equipos DOM-XX PH y DOM-XX PLUS).
- Sensor ORP EX (sólo en equipos DOM-XX PLUS).
- Soluciones de calibración pH 7.0 (verde) / pH 4.0 (rojo) / ORP 470 mV (sólo en equipos DOM-XX PH y DOM-XX PLUS).
- Porta-sondas (sólo en equipos DOM-XXPH y DOM-XX PLUS).
- Conector CEE22 M para conexión de bomba dosificadora (sólo en equipos DOM-XXPH y DOM-XX PLUS).
- Manual del equipo.

2. CARACTERISTICAS GENERALES: _____

Una vez instalado su sistema de Electrolisis de Sal DOMOTIC Series es necesario disolver una cantidad de sal en el agua. Este agua salina circula a través de la célula de electrolisis situada en la depuradora. El sistema de Electrolisis de Sal DOMOTIC Series consta de dos elementos: una célula de electrolisis y una fuente de alimentación. La célula de electrolisis contiene un número determinado de placas de titanio (electrodos), de forma que cuando se hace circular a través de los mismos una corriente eléctrica y la solución salina pasa a su través, se produce cloro libre.

El mantenimiento de un cierto nivel de cloro en el agua de la piscina, garantizará su calidad sanitaria. El sistema de Electrolisis de Sal DOMOTIC Series fabricará cloro cuando el sistema de recirculación de la piscina (bomba y filtro) estén operativos.

La fuente de alimentación dispone de varios dispositivos de seguridad, los cuales se activan en caso de un funcionamiento anómalo del sistema, así como de un microcontrolador de control.

Los sistemas de Electrolisis de Sal DOMOTIC Series disponen de un sistema de limpieza automático de los electrodos que evita la formación de incrustaciones en los mismos. Además, los sistemas de la serie DOMOTIC-PH y DOMOTIC PLUS, incorporan un controlador automático de pH, así como un controlador de ORP adicional en el caso de los sistemas de la serie DOMOTIC PLUS.

3. ADVERTENCIAS DE SEGURIDAD Y RECOMENDACIONES: _____

- El montaje o manipulación deben ser efectuados por personal debidamente cualificado.
- Se deben respetar las normas vigentes para la prevención de accidentes, así como para las instalaciones eléctricas.
- El fabricante en ningún caso se responsabiliza del montaje, instalación o puesta en funcionamiento, así como de cualquier manipulación o incorporación de componentes que no se hayan llevado a acabo en sus instalaciones.
- Los sistemas de Electrolisis de Sal DOMOTIC Series operan a 230 V AC / 50-60 Hz. No intente alterar la fuente de alimentación para operar a otro voltaje.
- Asegúrese de realizar conexiones eléctricas firmes para evitar falsos contactos, con el consiguiente recalentamiento de los mismos.
- Antes de proceder a la instalación o sustitución de cualquier componente del sistema asegúrese que éste ha quedado previamente desconectado de la tensión de alimentación, y utilice exclusivamente repuestos suministrados por IDEGIS.
- Debido a que el equipo genera calor, es importante instalarlo en un lugar suficientemente ventilado y procurar mantener los orificios de ventilación libres de cualquier elemento que los pueda obstruir. Procurar no instalarlo cerca de materiales inflamables.
- Los sistemas de Electrolisis de Sal DOMOTIC Series disponen de un grado de protección IP24. En ningún caso, deben ser instalados en zonas expuestas a inundaciones.

FUENTE DE ALIMENTACION

DESCRIPCION	MODELO			
	DOM-12 / DOM-12 PH / DOM-12 PLUS	DOM-24 / DOM-24 PH / DOM-24 PLUS	DOM-32 / DOM-32 PH / DOM-32 PLUS	DOM-42 / DOM-42 PH / DOM-42 PLUS
Tensión de servicio	230 V AC, 50/60 Hz.			
Salida (dc)	12 A (2x6 A)	24 A (2x12 A)	32 A (2x16A)	42 A (6x7A)
Producción (g/h)	10 - 12	20 -24	25 - 32	34 - 42
Capacidad piscina (m ³) Templado: 16 - 24°C Cálido: +25°C	60 50	100 80	160 120	200 160
Detector flujo	Detector gas			
Rango Salinidad / Temperatura	3 - 12 g./l. / +15 - 40°C			
Electrodos	Titanio con recubrimiento AUTO-LIMPIANTE Duración estimada: 4.000 - 7.000 horas			
Control producción	0 - 100 % (11 niveles de producción)			
Control cobertor	Entrada para contacto libre de tensión Reducción de producción programable desde panel con cobertor cerrado [10% ... 90%]			
Inversión polaridad	Programable desde panel de control: 2/3 horas + modo test			
Control externo	Dos entradas para contacto libre de tensión para detector de flujo externo y controlador ORP/COLOR RESIDUAL. Lógica de los contactos programable desde el panel de control de la unidad			
Protección nivel de sal	Protección automática de producción			

CELULA DE ELECTROLISIS

DESCRIPCION	MODELO			
	DOM-12 / DOM-12 PH / DOM-12 PLUS	DOM-24 / DOM-24 PH / DOM-24 PLUS	DOM-32 / DOM-32 PH / DOM-32 PLUS	DOM-42 / DOM-42 PH / DOM-42 PLUS
Caudal mínimo	2 m ³ /h	4 m ³ /h	6 m ³ /h	8 m ³ /h
Número de electrodos	5	7	7	13
Material	Derivado metacrilato			
Conexión a tubería	Encolado mediante adhesivo para tubo PVC Ø 63 mm.			
Presión máxima recomendada	1 Kg./cm ²			
Temperatura de trabajo	Menos de 40°C			

CONTROLADOR DE PH / ORP

DESCRIPCION	MODELO			
	DOM-12 PH DOM-12 PLUS	DOM-24 PH DOM-24 PLUS	DOM-32 PH DOM-32 PLUS	DOM-42 PH DOM-42 PLUS
Rango de medida	0.0 - 9.9 (pH) / 0 - 999 mV (ORP)			
Rango de control	7.0 - 7.8 (pH) / 600 - 850 mV (ORP)			
Precisión	± 0.1 pH / ± 1 mV			
Calibración	Automática mediante disoluciones patrón			
Salidas de control [pH]	Una salida 230 VAC / 500 mA para conexión de bomba dosificadora			
Sensores pH / ORP	Cuerpo en epoxy, 12x150 mm., unión sencilla, 0-80°C color AZUL, rango 0 - 12 (pH), color ROJO, rango 0 - 1000 mV (ORP)			

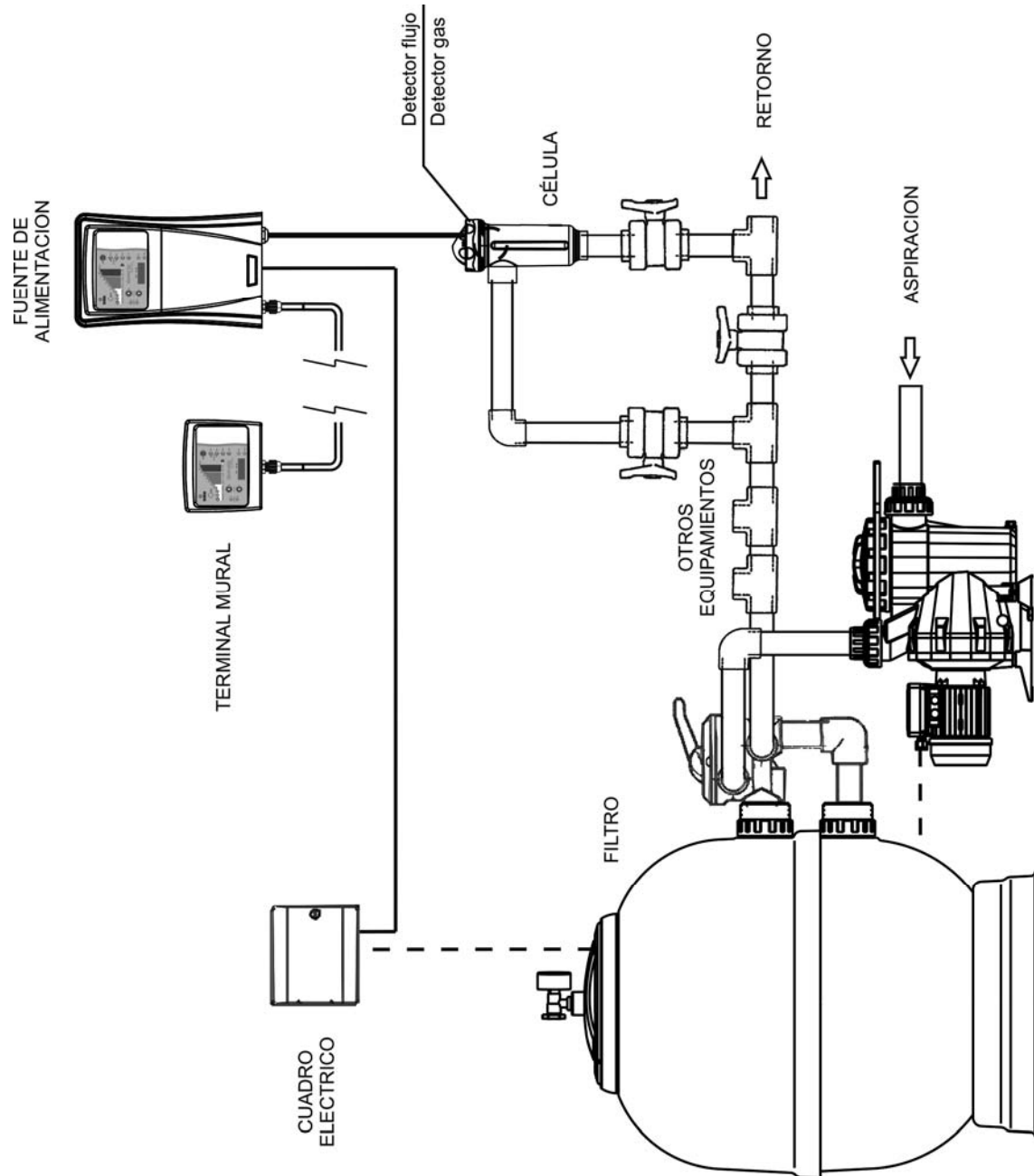


Fig.1 Diagrama de instalación recomendada (equipos DOMOTIC Series DOM-XX).

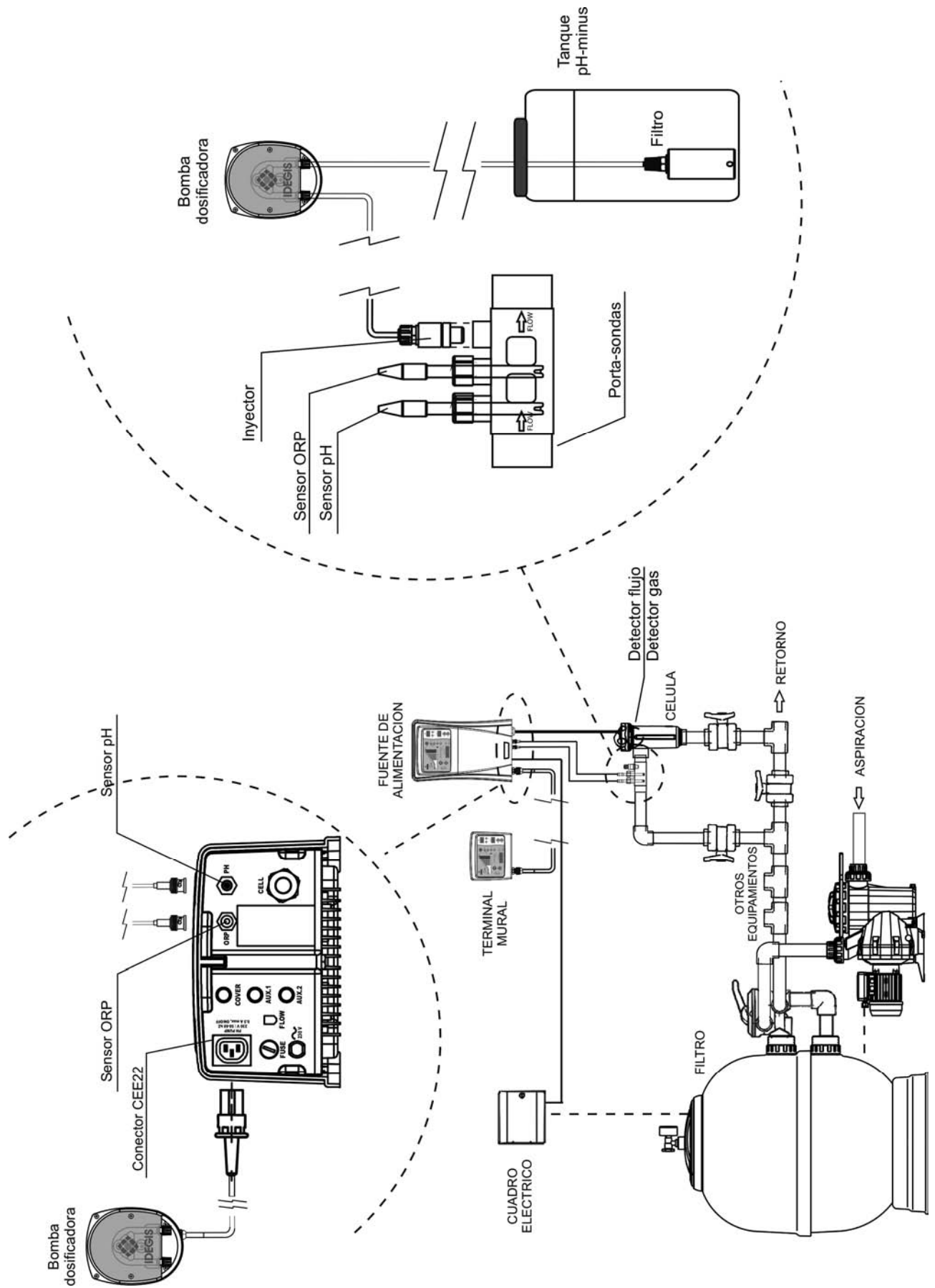


Fig.2 Diagrama de instalación recomendada (equipos DOMOTIC Series DOM-XXPH y DOM-XX PLUS).

4. INSTALACION:

4.1. Instalación de la fuente de alimentación

Instalar siempre la FUENTE DE ALIMENTACIÓN del sistema DOMOTIC Series de forma VERTICAL y sobre una superficie (pared) rígida tal y como se muestra en el diagrama de instalación recomendada (Figs. 1,2). Para garantizar su buen estado de conservación, debe procurarse instalar siempre el equipo en un lugar seco y bien ventilado. El grado de estanqueidad de la FUENTE DE ALIMENTACION del sistema DOMOTIC Series no permite su instalación a la intemperie. La FUENTE DE ALIMENTACION debería ser preferiblemente instalada lo suficientemente alejada de la célula de electrolisis de forma que no pueda sufrir salpicaduras de agua de forma accidental.

De manera especial, evite la formación de ambientes corrosivos debidos a las soluciones minoradoras del pH (concretamente las formuladas con ácido clorhídrico "HCl"). No instale el sistema DOMOTIC Series cerca de los lugares de almacenamiento de estos productos. Recomendamos encarecidamente el uso de productos basados en bisulfato sódico o ácido sulfúrico diluido. La conexión de la fuente de alimentación a la red eléctrica debe efectuarse en el cuadro de maniobra de la depuradora, de forma que la bomba y el sistema DOMOTIC Series se conecten simultáneamente.

4.2. Instalación de la célula de electrolisis

La célula de electrolisis está fabricada de un polímero transparente en cuyo interior se alojan los electrodos. La célula de electrolisis debería instalarse en un lugar protegido de la intemperie y **siempre detrás del sistema de filtración** y de cualquier otro dispositivo en la instalación como bombas de calor, sistemas de control, etc.

La instalación de la misma debería permitir el fácil acceso del usuario a los electrodos instalados. La célula de electrolisis siempre debe situarse, preferentemente, de forma **VERTICAL** en un lugar de la tubería que pueda ser aislado del resto de la instalación mediante dos válvulas, de tal modo que se puedan efectuar las tareas de mantenimiento de la misma sin necesidad de vaciar total o parcialmente la piscina.

En caso de que la célula se instale en by-pass (opción recomendada), se deberá introducir una válvula que regule el caudal a través de la misma. Antes de proceder a la instalación definitiva del sistema se deberían tener en cuenta los siguientes comentarios:

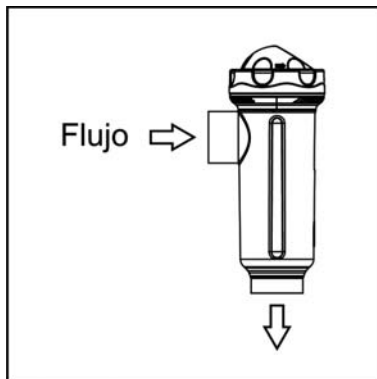


Fig. 3

1. Debe respetarse el sentido de flujo marcado en la célula. El sistema de recirculación debe garantizar el caudal mínimo consignado en la Tabla de Características Técnicas (ver apartado 9).

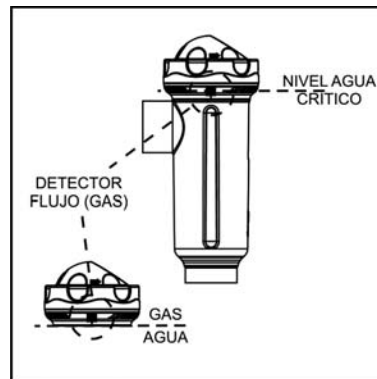


Fig. 4

2. El sistema detector de flujo (detector gas) se activa en caso de que no haya recirculación (flujo) de agua a través de la célula o bien que éste sea muy bajo. La no evacuación del gas de electrolisis genera una burbuja que aísla eléctricamente al electrodo auxiliar (detección electrónica). Por lo tanto, al introducir los electrodos en la célula, el detector de gas (electrodo auxiliar) deberá quedar situado en la parte superior de la misma. La disposición más segura es la del diagrama de instalación recomendada.

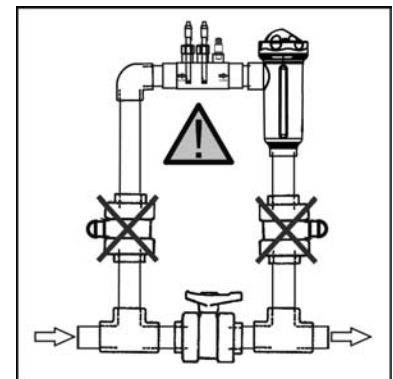


Fig. 5

3. **ATENCIÓN:** el detector de flujo (detector gas) no funcionará correctamente, con el consiguiente riesgo de ruptura de la célula, si se cierran simultáneamente las válvulas de entrada y salida a la tubería donde va instalada la célula de electrolisis. Aunque resulta una situación inusual, **se puede evitar bloqueando, una vez instalado el equipo, la válvula de retorno hacia la piscina**, de forma que no pueda ser manipulada accidentalmente.

Otras disposiciones sólo serían aceptables si permitieran igualmente la detección de burbujas de gas debidas a un caudal de paso de agua a través de la célula demasiado bajo.

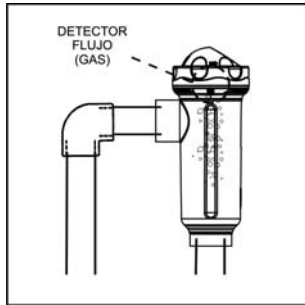


Fig. 6

Instalación recomendada

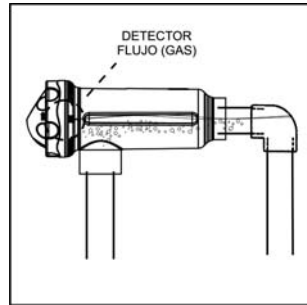


Fig. 7

Instalación admisible

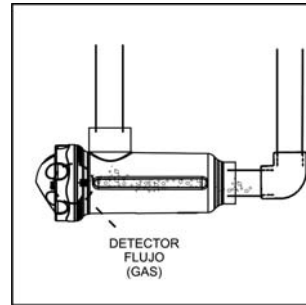


Fig 8

Instalaciones no admisibles

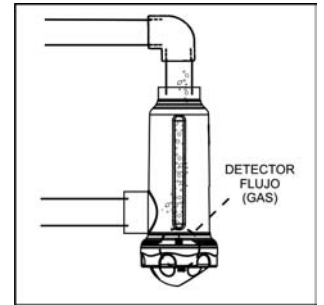


Fig 9

Los electrodos deberán ser introducidos en el interior de la célula de electrolisis encajando el electrodo central del conjunto a través de las guías situadas en la parte superior e inferior del cuerpo de la misma.

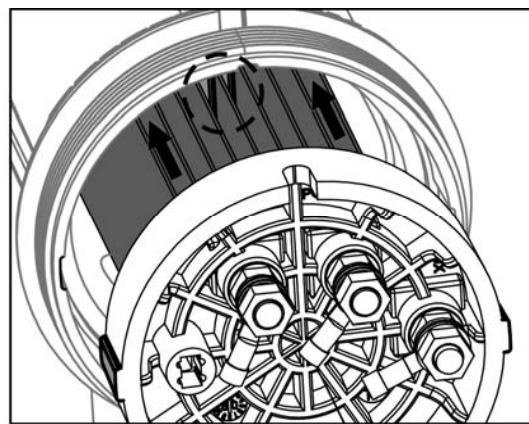
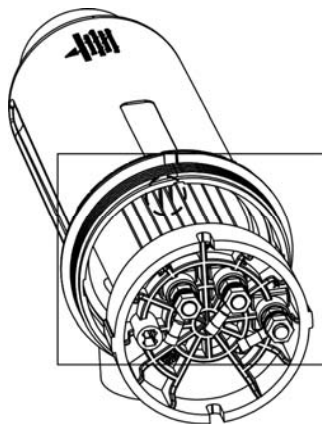


Fig 10

4.3. Conexiones eléctricas de la célula de electrolisis

Realizar la interconexión entre la célula de electrolisis y la fuente de alimentación según los siguientes esquemas. Debido a la relativamente elevada intensidad de corriente que circula por los cables de la célula de electrolisis, en ningún caso debe modificarse la longitud ni la sección de los mismos sin consultar previamente a su distribuidor IDEGIS autorizado. El cable de conexión célula-fuente de alimentación nunca debe exceder la longitud máxima recomendada en este Manual: **DOM-12 (6 A), 7.5 m.; DOM-24 (12 A), 4.0 m.; DOM-32 (16 A), 3.0 m; DOM-42 (7 A), 16.0 m.**

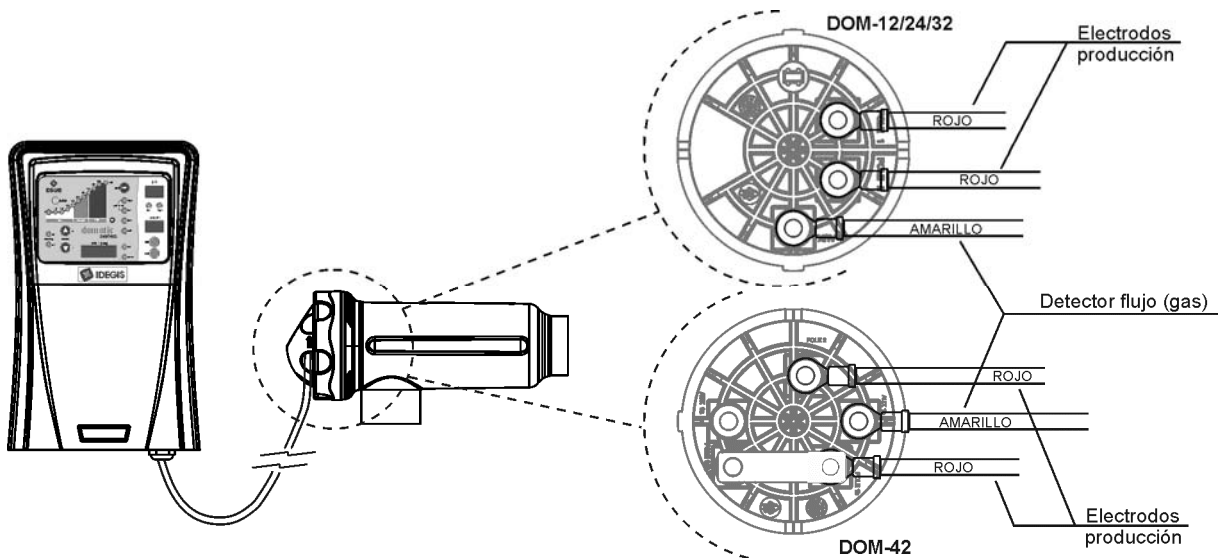


Fig.11

4.4. Instalación de las sondas de pH / ORP (solo en equipos DOM-XXPH y DOM-XX PLUS)

1. Insertar la sondas de pH/ORP suministradas con el equipo en los alojamientos correspondientes del portasondas. (Fig. 12)
2. Para ello, aflojar la tuerca del racor e insertar el sensor en el mismo.
3. El sensor debe introducirse en el racor de forma que se garantice que el sensor situado en su extremo queda siempre sumergido en el agua que circula por la tubería.
4. **Instalar siempre las sondas de pH/ORP preferiblemente en posición vertical o con una inclinación máxima de 40° (Fig. 13).**

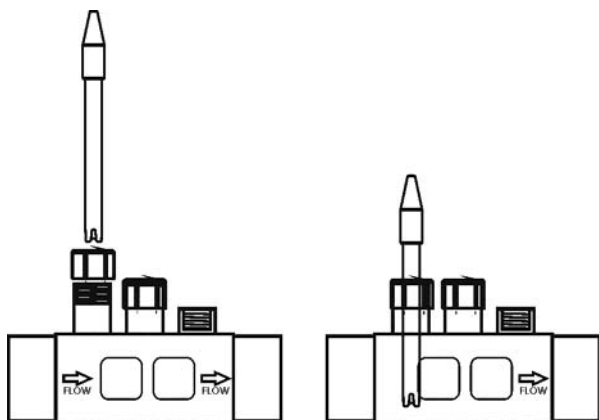


Fig. 12

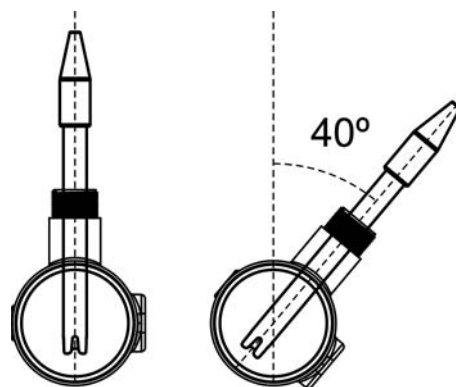


Fig. 13

4.5. Instalación del detector de flujo externo opcional (no suministrado con el equipo)

1. Colocar el collarín suministrado en un tramo de la tubería situado a la entrada de la célula de electrolisis. El collarín deberá instalarse siempre en posición horizontal al suelo (ver Fig. 14-1).
2. Instalar el detector de flujo (interruptor flujo) siempre de forma vertical en el collarín (Fig. 14-1).
3. Existe una flecha marcada en la cabeza del detector de flujo. Asegúrese que la flecha está paralela al eje de la tubería y apunta a la dirección del flujo de agua (Fig. 14-2).
4. Evite instalar el detector de flujo cerca de objetos ferromagnéticos. Estos objetos pueden influenciar el funcionamiento del dispositivo magnético alojado en su interior, y por lo tanto, disminuir su fiabilidad.

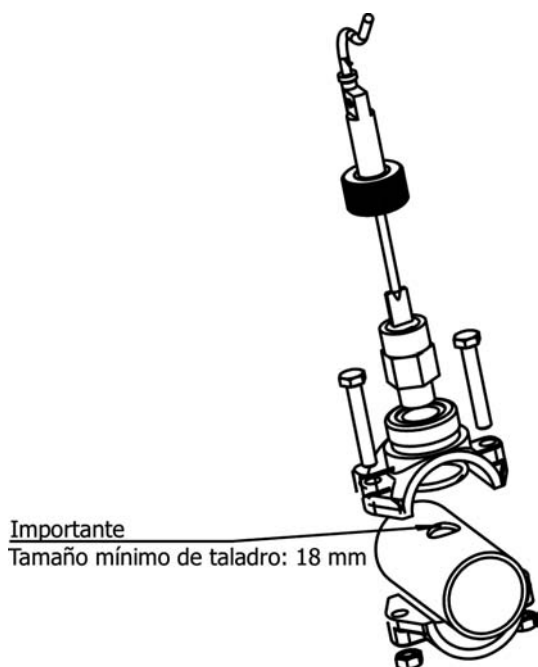


Fig. 14-1

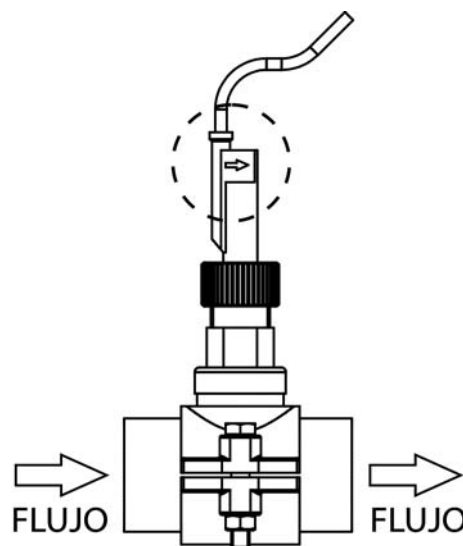


Fig. 14-2

4.6. Instalación del terminal de control extraíble

En los equipos DOMOTIC series es posible establecer un control remoto del sistema de electrolisis situado en la depuradora de la piscina mediante la instalación de un terminal mural de control. La interconexión entre la fuente de alimentación y el terminal de control puede efectuarse mediante un cable de señal de 6 conductores conectado a los respectivos conectores de las tarjetas de potencia y visualizadora. La longitud de este cable vendrá determinada por las necesidades del usuario, no pudiendo superar en ningún caso los 40 metros. El terminal es un elemento auto-alimentado a 10,5 Vac por el propio bus de comunicaciones por lo que no necesita de ninguna toma de alimentación adicional.

El terminal no requiere de ningún procedimiento especial de mantenimiento, a excepción de las siguientes normas de utilización de tipo general:

- Usar para su limpieza un trapo ligeramente humedecido con agua.
- No utilizar productos de limpieza agresivos (lejía, aerosoles, disolventes, alcohol, etc.)

El terminal de control está diseñado para ser colocado sobre una pared rígida. Su grado de estanqueidad IP-65 permite su instalación a la intemperie. No obstante, resultaría recomendable no exponer directamente el terminal a los rayos solares. Para la instalación del terminal, proceda del siguiente modo:

1. Retirar el chasis de la fuente de alimentación desenroscando el tornillo de fijación (Fig. 11-1) y deslizando hacia arriba y hacia fuera (Fig. 11-2). Seguidamente girar el chasis hacia la izquierda (Fig. 11-3) y desconectar el cable de comunicación (A) de la tarjeta de potencia y de la tarjeta visualizadora (Fig. 11-4).
2. Desenroscando los cuatro tornillos de sujeción (Fig. 11-5).
3. Montar el terminal de control (Fig. 11-6).

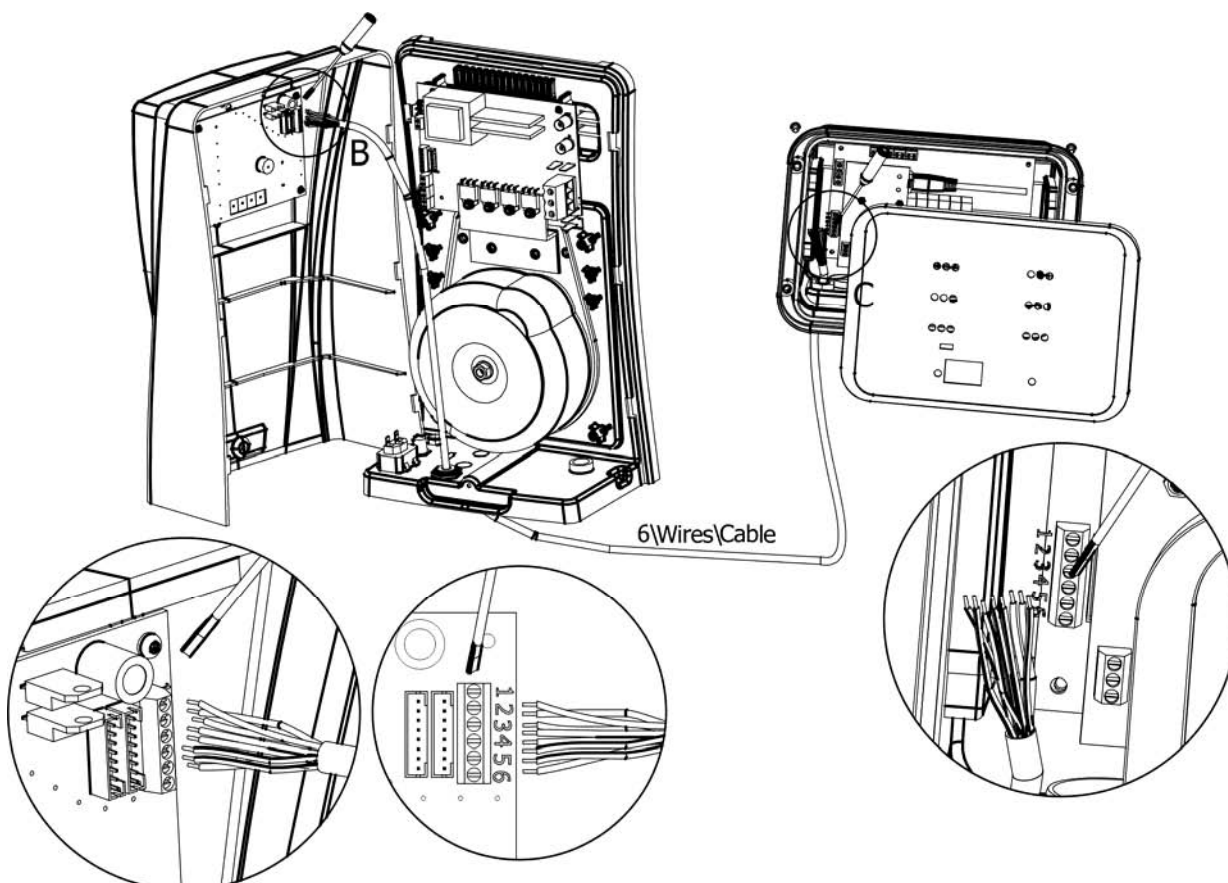
OPCIÓN A: instalación mediante cable original IDEGIS ref. DOM-020-XX (donde XX indica la longitud en metros del mismo).

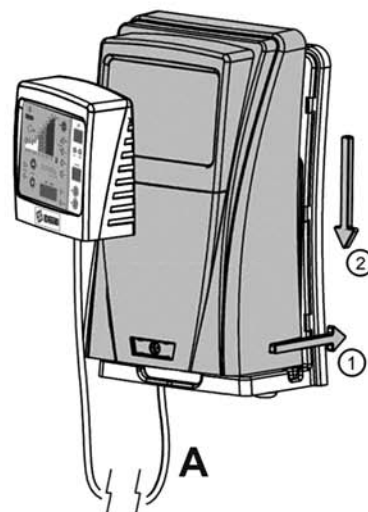
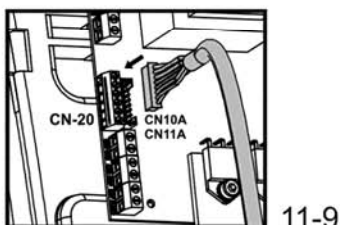
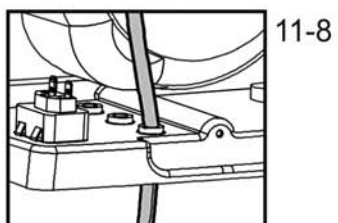
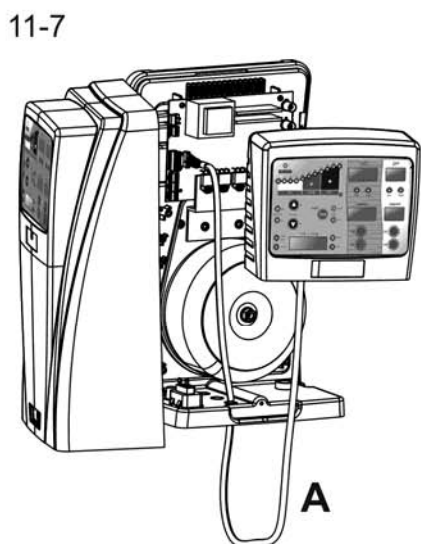
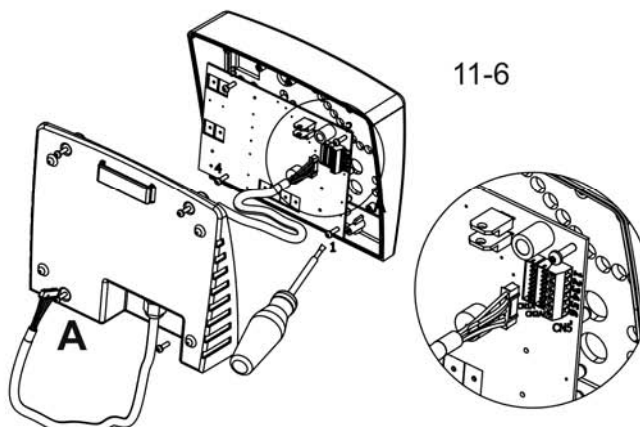
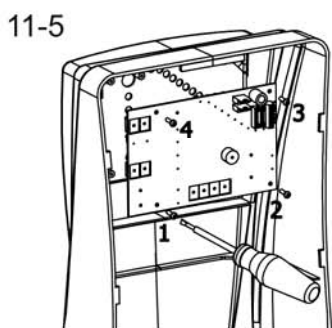
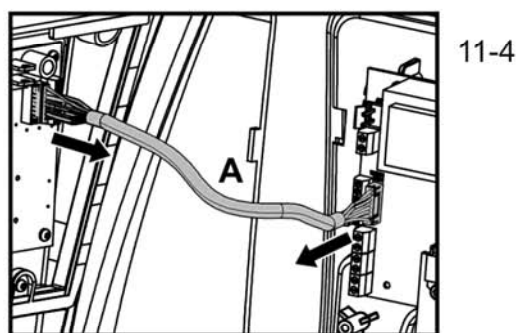
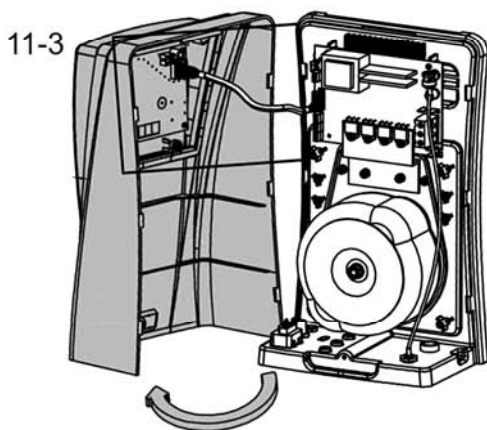
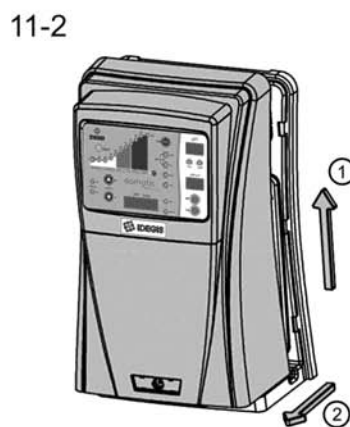
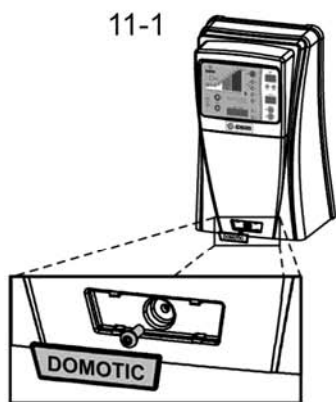
OPCIÓN B: instalación mediante cable de señal estándar de 6 hilos de 0,22 mm² de sección mínima cada uno.

En ambos casos la longitud máxima admisible es de 40 metros. No obstante, el empleo de cable UTP de par trenzado (Categoría 5e sin apantallar) permite la interconexión a distancias de hasta 60 metros.

4. Para ello, pasar el nuevo cable de comunicación (A) a través del prensa-estopa situado en la base del terminal y conectarlo en cualquiera de los dos conectores de la tarjeta visualizadora (CN1A, CN2A) [**OPCIÓN A**], o en el conector CN-5 [**OPCIÓN B**]. Unir el frontal visualizador y la base del terminal mediante los cuatro tornillos suministrados.
5. Pasar el extremo libre del cable de comunicación por el orificio AUX 2 de la base de la fuente de alimentación (Figs. 11-7, 11-8) y conectarlo en el conector CN10A/CN11A [**OPCIÓN A**] o en el CN-20 [**OPCIÓN B**] de la tarjeta de potencia (Fig. 11-9). Volver a colocar el chasis de la fuente de alimentación (Fig. 11-7).
6. Fijar el soporte de pared (ver Apartado 8) en el punto de instalación elegido y colgar el terminal en el mismo.

4.7 Conexión PoolStation





Controles e indicadores

Los sistemas de Electrolisis Salina DOMOTIC Series están equipados con un panel de control situado en su frontal (Figs. 15,16, 16b).

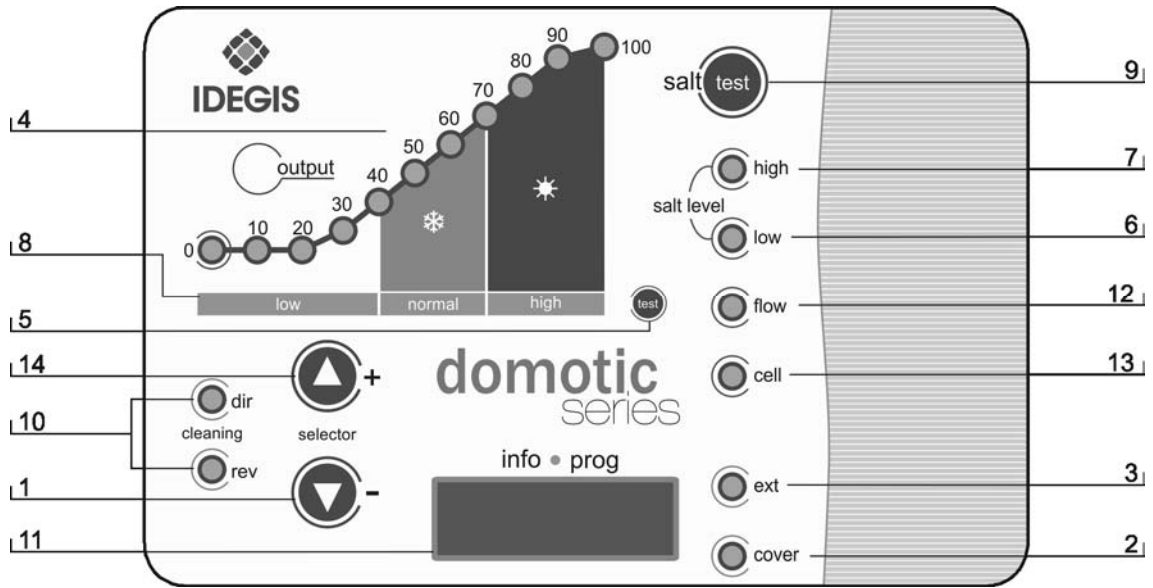


Fig. 15. Panel de control sistemas DOM-XX

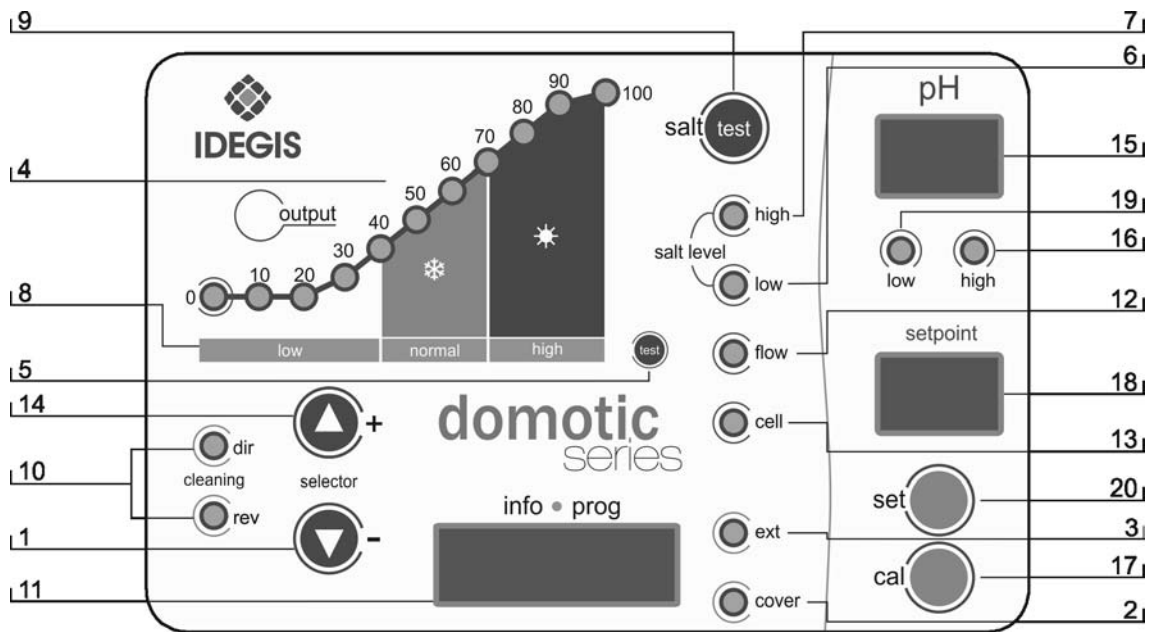


Fig. 16. Panel de control sistemas DOM-XX PH

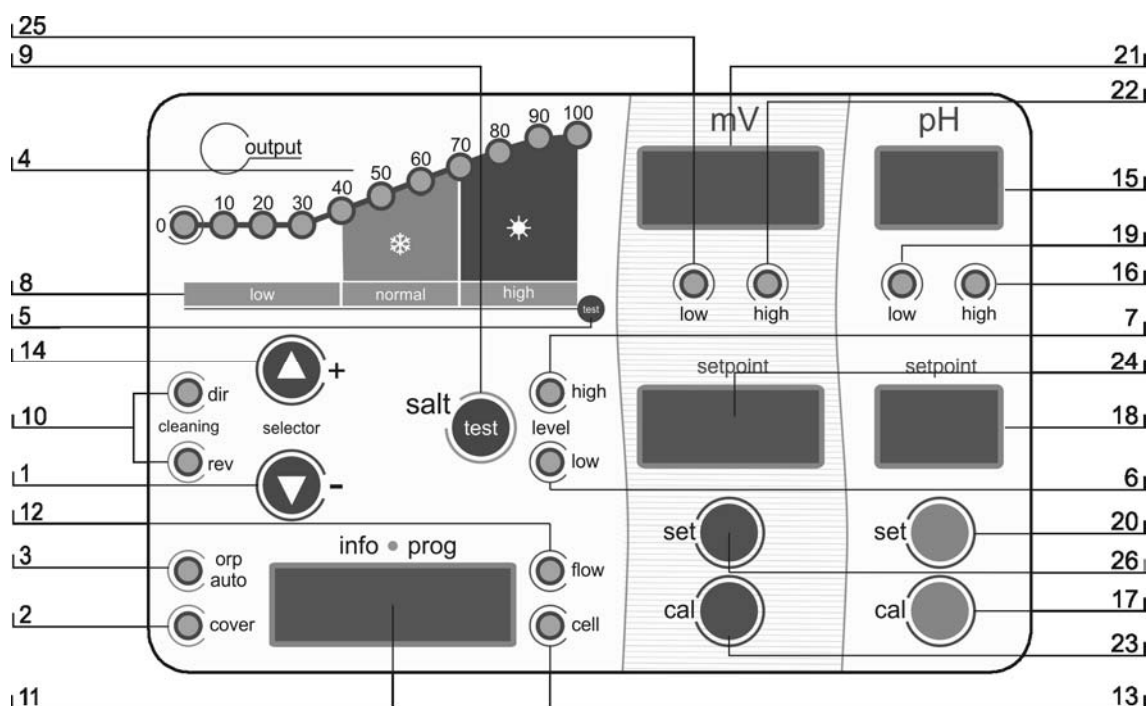


Fig. 16b. Panel de control sistemas DOM-XX PLUS.

- | | | | |
|-----|--|-----|--|
| 1. | Tecla "▼" (disminuir producción / navegación en menús de programación del sistema) | 14. | Tecla "▲" (aumentar producción / navegación en menús de programación de sistema) |
| 2. | Indicador control CUBIERTA AUTOMATICA activado | 15. | Pantalla de indicación del valor de pH del agua. |
| 3. | Indicador CONTROL ORP activado (modo AUTO) | 16. | Indicador ALARMA pH ALTO (> 8.5) |
| 4. | Escala de producción (%) | 17. | Tecla para MODO CALIBRACION pH |
| 5. | Escala TEST SALINIDAD | 18. | Indicador del valor de pH programado. |
| 6. | Indicador de BAJA SALINIDAD | 19. | Indicador ALARMA pH BAJO (< 6.5) |
| 7. | Indicador de ALTA SALINIDAD | 20. | Tecla para programar el valor de pH deseado. |
| 8. | Escala de SALINIDAD (cualitativa) | 21. | Pantalla de indicación del valor de ORP del agua. |
| 9. | Tecla para "TEST de SALINIDAD" | 22. | Indicador ALARMA ORP ALTO (> 850 mV) |
| 10. | Indicadores AUTO-LIMPIEZA (polaridad DIRECTA/INVERSA) | 23. | Tecla para MODO CALIBRACION ORP |
| 11. | Pantalla de información del sistema | 24. | Indicador del valor de ORP programado. |
| 12. | Indicador ALARMA de FLUJO | 25. | Indicador ALARMA ORP BAJO (< 650 mV) |
| 13. | Indicador de ALARMA de CELULA pasivada | 26. | Tecla para programar el valor de ORP deseado |

Además de las operaciones básicas, el Sistema de Electrolisis de Sal DOMOTIC Series dispone de tres entradas para contactos libres de tensión, los cuales permiten la conexión de controles externos adicionales. Estas entradas se encuentran situadas en el conector [CN7] de la tarjeta de potencia (Fig. 17).

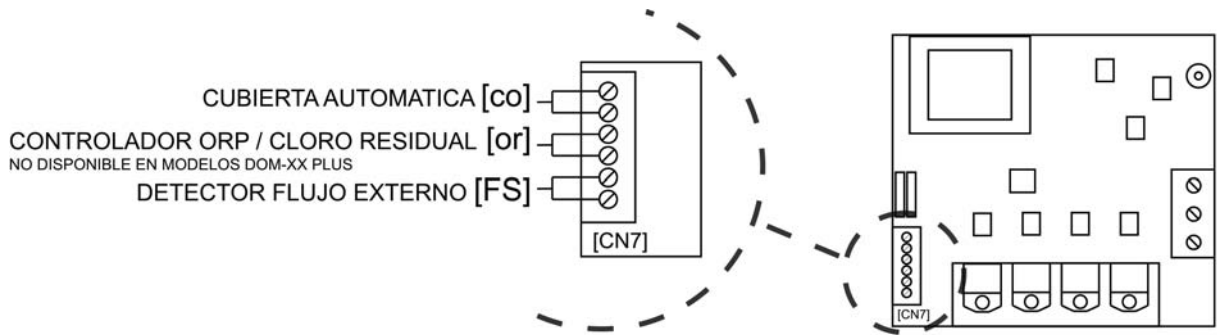


Fig. 17

La lógica asociada a estas tres entradas, así como su activación-desactivación, se puede programar durante el proceso de configuración del sistema (ver Apartado 5.2)

- **[FS] Control DETECTOR FLUJO EXTERNO OPCIONAL (no suministrado con equipo):** entrada para contacto libre de tensión. Cuando el contacto conectado a esta entrada se abre (detector de flujo externo en reposo), y la entrada [FS] se ha configurado como [FS1c] durante la configuración de sistema, el sistema de electrolisis se desconecta (alarma de flujo). Conectar los cables del detector de flujo externo a la entrada correspondiente [FS] situada en el conector [CN7] de la tarjeta de potencia de la unidad.

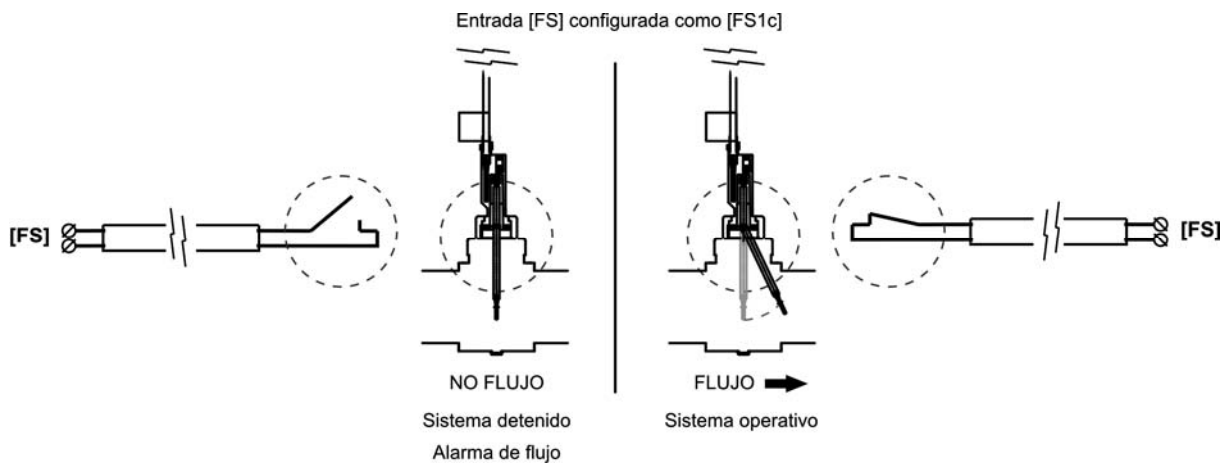


Fig. 18

- **[CO] Control CUBIERTA AUTOMÁTICA:** entrada para contacto libre de tensión. Esta entrada permite, en función del estado del contacto conectado a la misma situado en el cuadro eléctrico de la cubierta automática, programar una reducción de la producción del equipo a un porcentaje de su valor nominal.

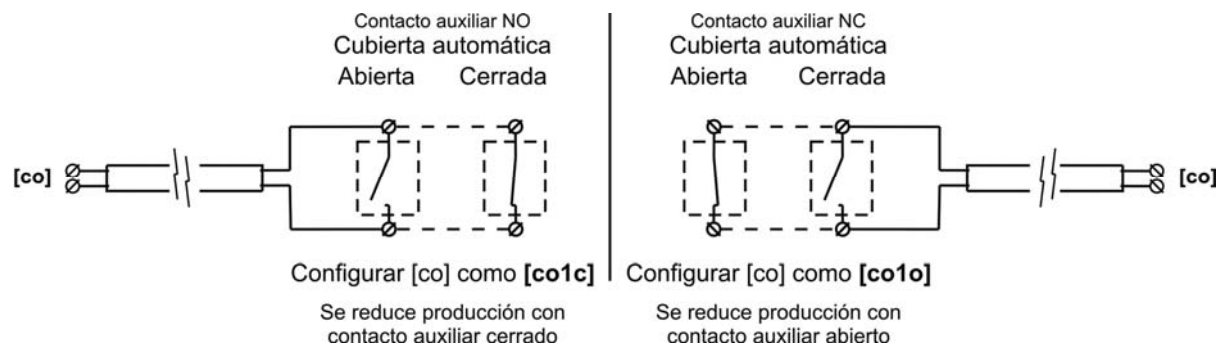


Fig. 19

- **[Or]** **Control ORP / CLORO RESIDUAL (no disponible en equipos DOMOTIC-XX PLUS):** entrada para contacto libre de tensión. Esta entrada se puede utilizar para hacer interactuar el sistema de electrolisis con un controlador externo (ORP, CLORO RESIDUAL, FOTOMETRO, etc.). Para ello bastará con conectar dos hilos desde el contacto libre de tensión situado en el controlador externo, a la entrada correspondiente **[or]** situada en la tarjeta de potencia de la unidad.

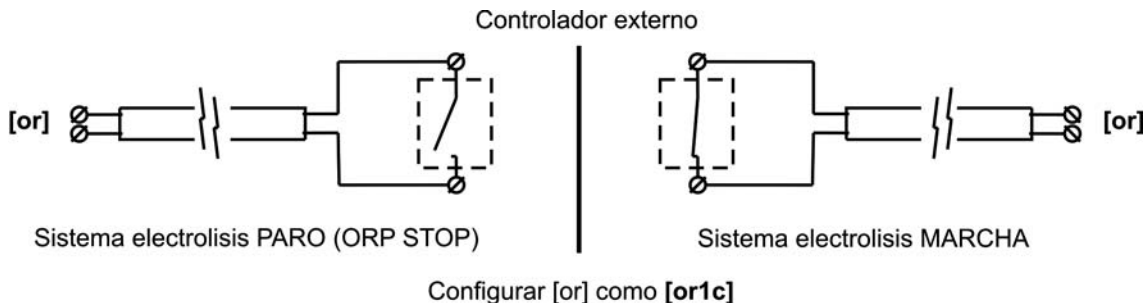
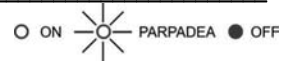


Fig. 20

4.7. Puesta en marcha

1. Asegurarse que el filtro esté limpio al 100%, y que la piscina y la instalación no contenga cobre, hierro y algas, así como que cualquier equipo de calefacción instalado sea compatible con la presencia de sal en el agua.
 2. Equilibrar el agua de la piscina. Esto nos permitirá obtener un tratamiento más eficiente con una menor concentración de cloro libre en el agua, así como un funcionamiento más prolongado de los electrodos unido a una menor formación de depósitos calcáreos en la piscina.
 - a) El pH debe ser de 7.2-7.6
 - b) La alcalinidad total debe ser de 60-120 ppm.
 3. Aunque el sistema DOMOTIC Series puede trabajar en un rango de salinidad de 4 - 6 g/l., se debe intentar mantener el nivel mínimo de sal recomendado de 5 g/l, añadiendo 5 Kg. por cada m³ de agua si el agua no contenía sal previamente. Utilizar siempre sal común (cloruro sódico), sin aditivos como yoduros o antiapelmazante, y con calidad de apta para consumo humano. No agregar nunca la sal a través de la célula. Añadir directamente a la piscina o en el vaso de compensación (lejos del sumidero de la piscina).
 4. Al añadir la sal, y en caso que la piscina vaya a ser utilizada de forma inmediata, efectuar un tratamiento con cloro. Como dosis inicial, se pueden añadir 2 g./m³ de ácido tricloroisocianúrico.
 5. Antes de iniciar el ciclo de trabajo, desconectar la fuente de alimentación y poner la bomba del depurador en marcha durante 24 horas para asegurar la completa disolución de la sal.
 6. A continuación poner en marcha el sistema de electrolisis salina, situando el nivel de producción del mismo, de forma que se mantenga el nivel de cloro libre dentro de los niveles recomendados (0.5 - 1.5 ppm).
- NOTA:** para poder determinar el nivel de cloro libre deberá emplear un kit de análisis.
7. En piscinas con fuerte insolación o utilización intensiva, es aconsejable mantener un nivel de 25-30 g./m³ de estabilizante (ácido isocianúrico). En ningún caso, deberá excederse un nivel de 75 g./m³. Esto será de gran ayuda para evitar la destrucción del cloro libre presente en el agua por la acción de la luz solar.

5. FUNCIONAMIENTO:



5.1. Sistema detenido

El sistema entra en modo "EN ESPERA" cuando se pulsa sucesivamente la tecla "▼" [1] hasta que el led de "0 %" quede parpadeando. En esta situación no hay producción en la célula de electrolisis.

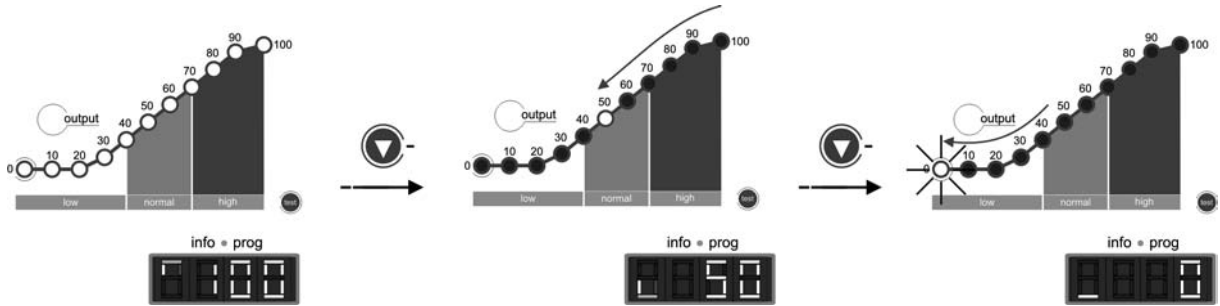
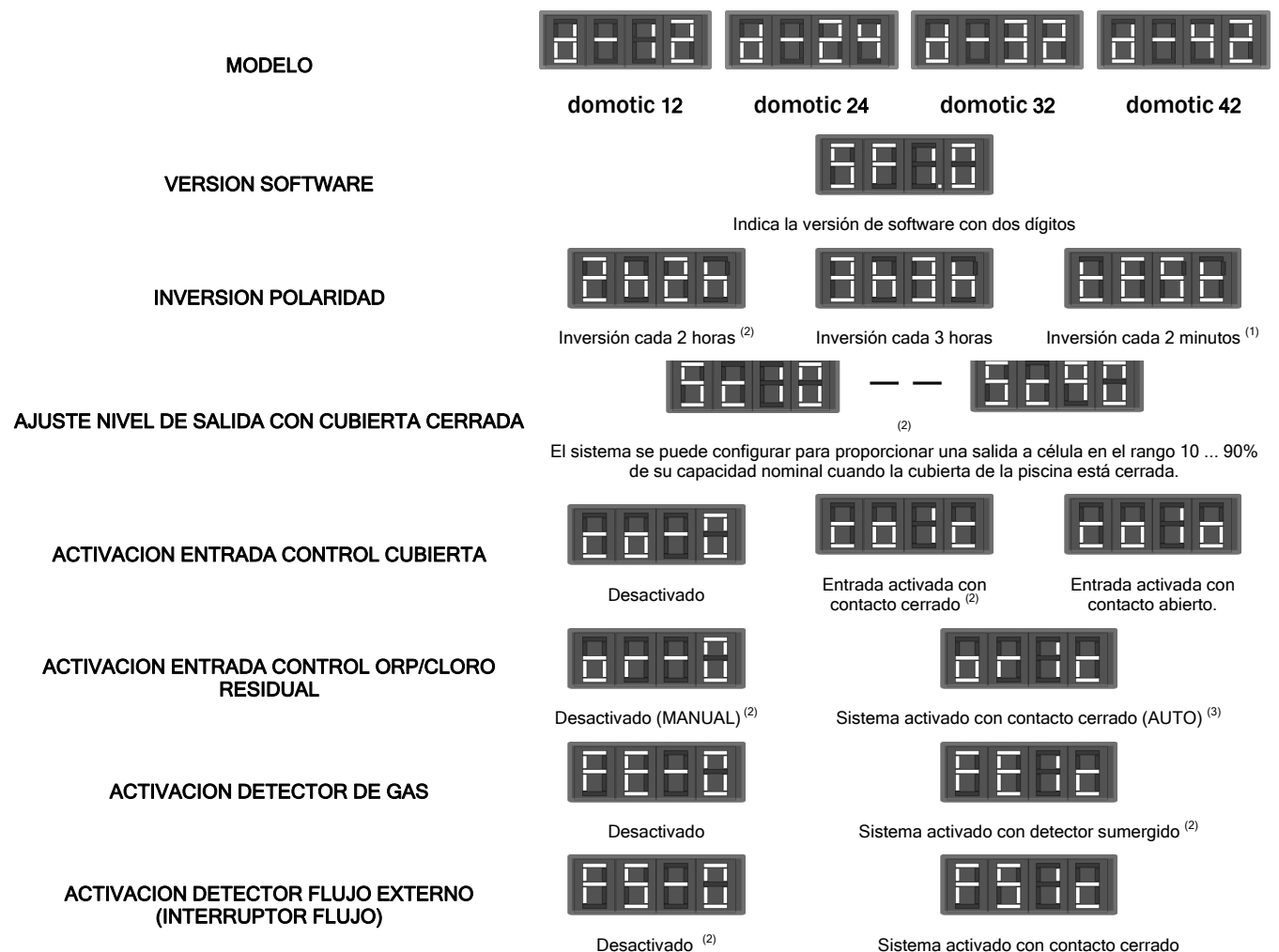


Fig. 21

5.2. Configuración del sistema

El sistema DOMOTIC Series puede ser reconfigurado a través de un menú accesible desde el panel de control. Para acceder a este menú es necesario detener el sistema previamente, tal y como se describe en el apartado 5.1. Una vez el sistema se encuentre detenido, pulsar durante unos segundos la tecla "▼" [1] hasta que la pantalla de información del sistema [11] muestre la palabra "CONF". Para habilitar la selección de cada uno de las opciones en cada menú, mantener pulsada durante 1 segundo aproximadamente la tecla "SALT TEST" [9]. Una vez seleccionado el parámetro deseado mediante las teclas "▼" [1] / "▲" [14], validar manteniendo pulsada de nuevo durante 1 segundo la tecla "SALT TEST" [9] (ver Fig. 23). El proceso de configuración permite establecer los siguientes parámetros operativos del sistema:



(1) **ATENCIÓN:** utilizar este modo exclusivamente para tareas de verificación, y durante periodos cortos de tiempo, ya que los electrodos podrían resultar dañados.
 El sistema sale automáticamente de este modo tras su desconexión.
 (2) Valores por defecto programados de fábrica.
 (3) Valor por defecto programado de fábrica en equipos DOM-XX PLUS.

Fig. 22

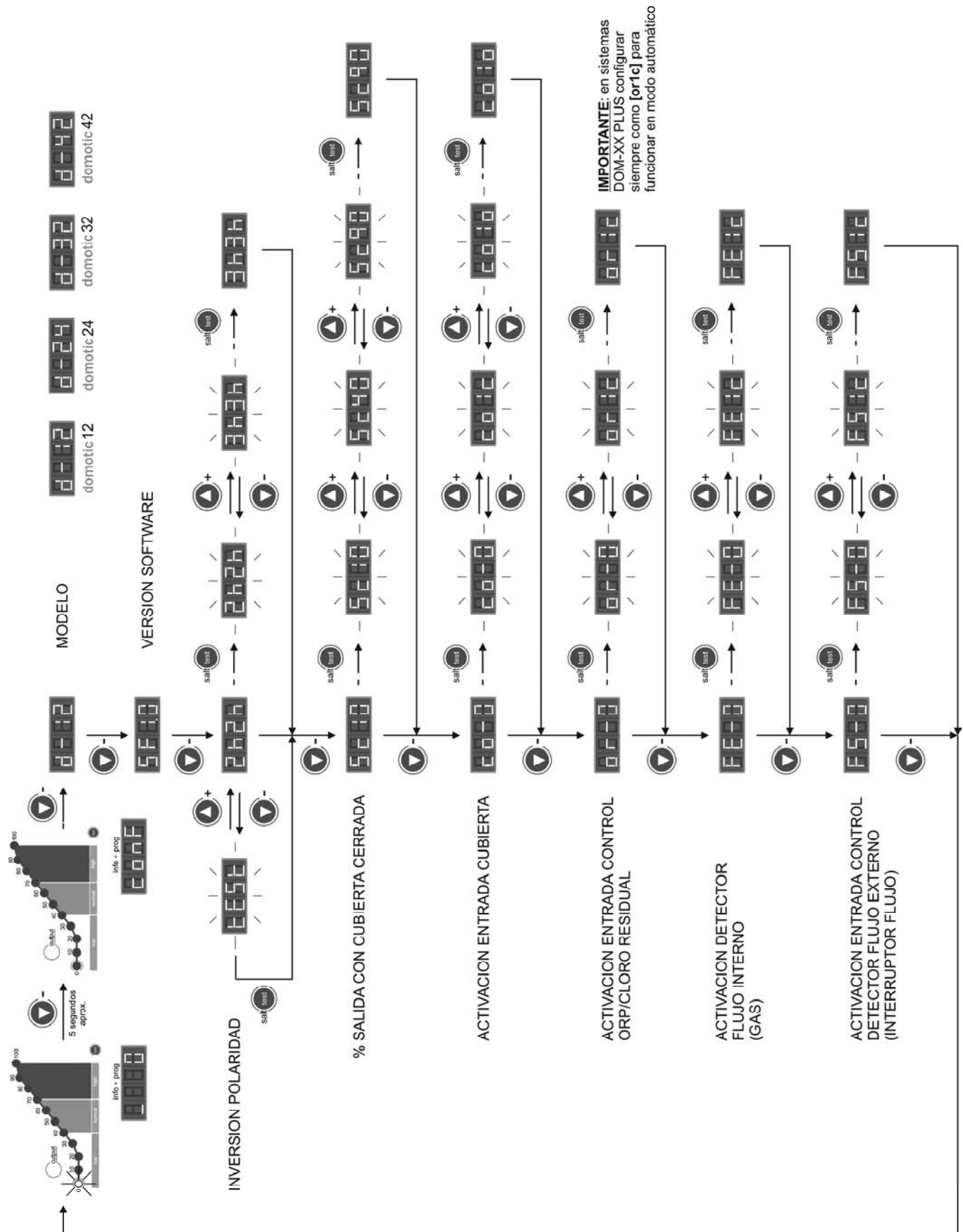


Fig. 23 Diagrama de flujo de programación de sistema

5.3. Selección del nivel de producción

Para seleccionar el nivel de producción deseado, pulsar sucesivamente las teclas “▼” [1] / “▲” [14] hasta que el led correspondiente al nivel de producción deseado quede parpadeando. La pantalla de información del sistema [11] indicará el valor correspondiente al led de la escala de producción [4]. Transcurridos unos segundos, el sistema situará su producción en el nivel seleccionado.

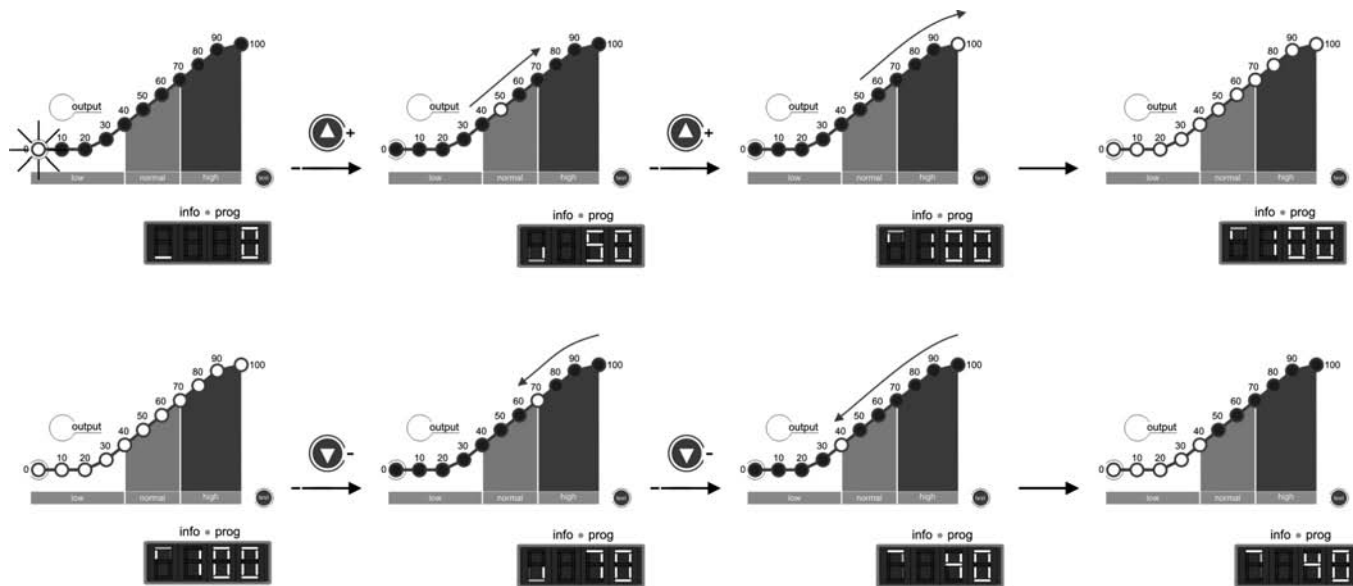


Fig. 24

En condiciones normales el valor de producción [4] deberá coincidir con el valor programado. Sin embargo, en caso de existir un nivel salino en el agua fuera de rango (alarma de “HIGH SALT” [7] o “LOW SALT” [6] activadas), o un problema en la célula de electrolisis (alarma “CELL” [13] activada), el valor de producción alcanzado [4] podría ser inferior al programado y mostrado en la pantalla [11].

❄️ Modo INVIERNO: durante periodos de baja temperatura en el agua seleccionar un nivel de producción [1] comprendido entre el 50-60%.

5.4. Test de salinidad

Los sistemas DOMOTIC Series disponen de un sistema integrado para detectar el nivel de salinidad del agua de la piscina. Para efectuar dicho test, pulsar la tecla “SALT TEST” [9]. Durante la realización del test, el led de indicación de producción oscilará entre el rango 20%-80% de la escala de salinidad [5], mostrando alternativamente el texto “SALT” y “TEST” en la pantalla de información del sistema [11]. Una vez finalizado el test, el led parpadeará durante unos segundos en la escala [5], sobre el valor de salinidad detectado (ver Fig. 25). Transcurridos unos segundos, el equipo regresará al modo de funcionamiento normal.

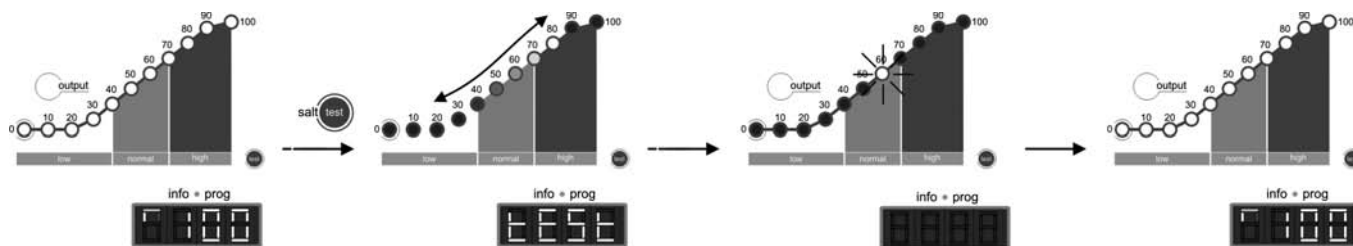


Fig. 25

Es posible que el sistema indique niveles de sal inferiores a los reales si la temperatura del agua fuese inferior a 20°C.

5.5. Controlador de pH /ORP integrado (modelos DOM-XX PH y DOM-XX PLUS)

Los controladores de pH/ORP integrados salen de fábrica calibrados y con los siguientes parámetros de programación.

PUNTO DE CONSIGNA pH="7.2" / ORP="700 mV"

IMPORTANTE: para conseguir una correcta regulación del pH, asegúrese que la alcalinidad del agua está en el rango óptimo recomendado de 60-120 ppm de CaCO₃. Utilice un kit para comprobar el nivel de Alcalinidad Total del agua, y ajústela manualmente en caso de ser necesario.

5.5.1. CONEXION DE LA SONDAS DE PH / ORP (modelos DOM-XX PH y DOM-XX PLUS)

Conectar los sensores de pH / ORP suministrados con la unidad a los conectores BNC correspondientes situados en la base de la unidad (Fig. 26).

5.5.2. CONEXION DE LA BOMBA DOSIFICADORA

Los sistemas DOMOTIC Series (modelos DOM-XX PH y DOM-XX PLUS) disponen de un conector en su base para la conexión de una bomba dosificadora para el control del pH del agua de la piscina. La bomba dosificadora puede conectarse por medio del conector CEE22 suministrado a tal efecto junto con el equipo (Fig. 26).

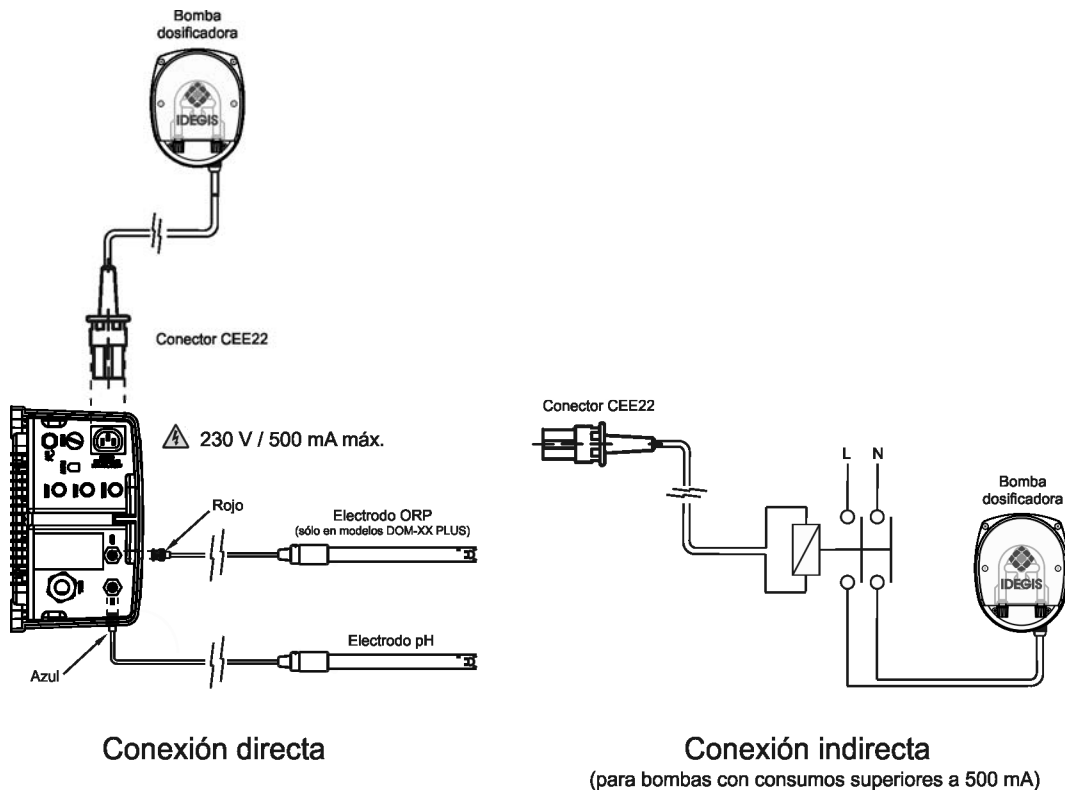


Fig. 26

5.5.3. PROGRAMACION DEL VALOR DE PH DESEADO

Mantener pulsada la tecla "SET" [20] hasta que en la pantalla [18] indique el valor de pH deseado dentro del el rango 7.0 - 7.8. Una vez seleccionado, soltar.

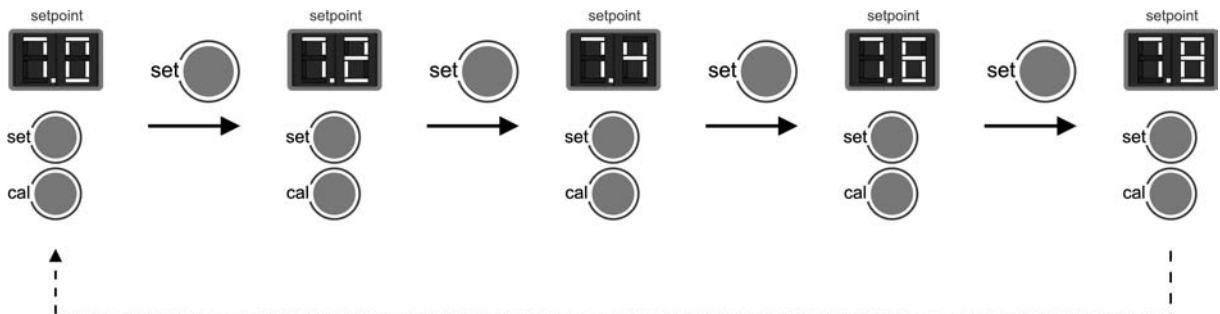


Fig. 27

5.5.4. PROGRAMACION DEL VALOR DE ORP DESEADO (sólo en modelos DOM-XX PLUS)

Mantener pulsada la tecla "SET" [26] hasta que en la pantalla [24] indique el valor de ORP deseado dentro del el rango 600 - 850 mV. Una vez seleccionado, soltar.

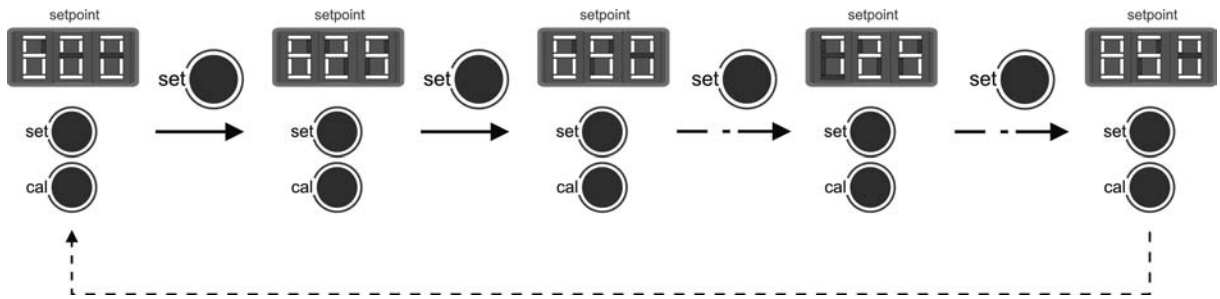


Fig. 27b

5.5.5. CONFIGURACION DE LA PARADA DE SEGURIDAD DE LA BOMBA DOSIFICADORA (FUNCION PUMP_STOP)

El controlador de pH integrado dispone de un sistema de seguridad (FUNCION PUMP-STOP) que actúa sobre la bomba dosificadora el cual permite evitar las siguientes situaciones:

- Daños en la bomba al funcionar en vacío (producto pH minus agotado).
- Sobre-dosificación de producto minorador de pH (sensor dañado o agotado).
- Problemas de regulación del pH debido a una elevada alcalinidad en el agua (llenado de piscina, niveles de carbonato elevados).

Cuando la FUNCION PUMP-STOP esté activada (configurada por defecto), el sistema detendrá la bomba dosificadora transcurrido el tiempo programado sin que se haya alcanzado el valor de consigna de pH.

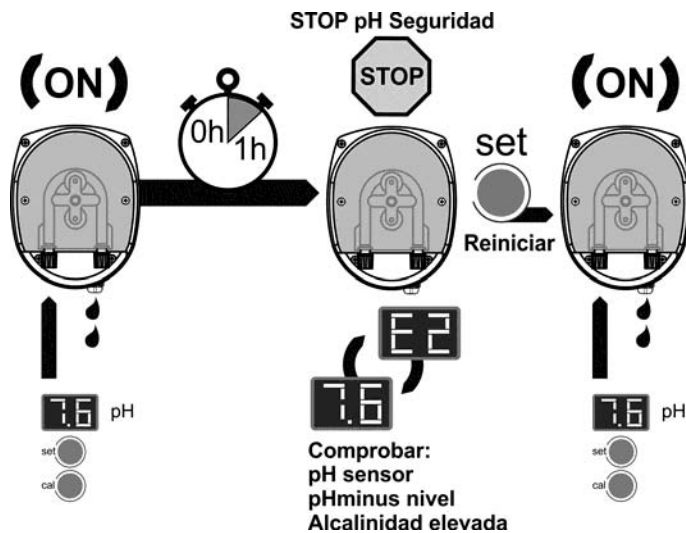


Fig. 27c.

La FUNCION PUMP-STOP viene configurada de fábrica a 60 MINUTOS. Para modificar este valor, realizar el siguiente procedimiento:

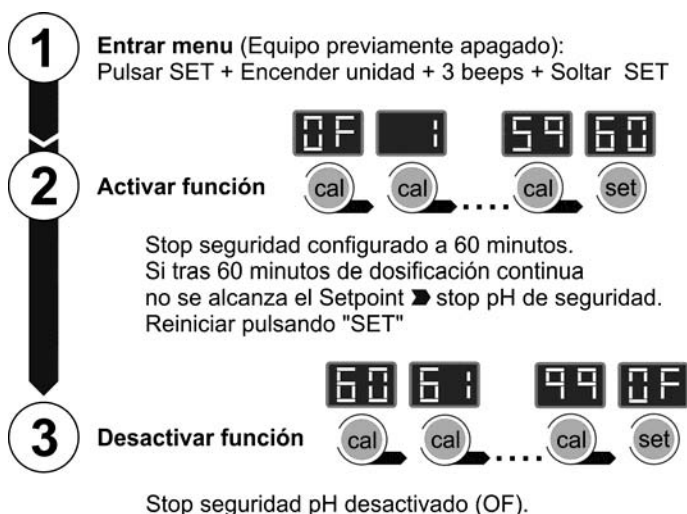


Fig. 27d.

5.6. Alarmas

- **NIVEL DE SAL ELEVADO**

En caso que se hubiera añadido sal en exceso, la fuente de alimentación disminuirá de forma automática el nivel de producción respecto del seleccionado. El led "HIGH SALT" [7] permanecerá iluminado. En este caso, vaciar una parte de la piscina (por ejemplo, un 10%), y añade agua fresca para disminuir la concentración de sal. Para un conocimiento preciso del nivel de sal recomendamos que utilice un medidor portátil de salinidad-temperatura.

- **NIVEL DE SAL BAJO**

En caso que el nivel de sal en el agua de la piscina estuviese por debajo del recomendado, la fuente de alimentación no podrá alcanzar el nivel de salida seleccionado. El led "LOW SALT" [6] permanecerá iluminado. En este caso, determinar el nivel salino del agua y añade la cantidad de sal necesaria. El tipo de sal común (NaCl) indicada para electrolisis salina no debe presentar aditivos (antiapelmazantes, yoduros) y debe ser apta para el consumo humano. Es posible que el sistema indique un nivel de sal bajo si la temperatura fuese inferior a 20°C. Para un conocimiento preciso del nivel de sal recomendamos que utilice un medidor portátil de salinidad-temperatura.

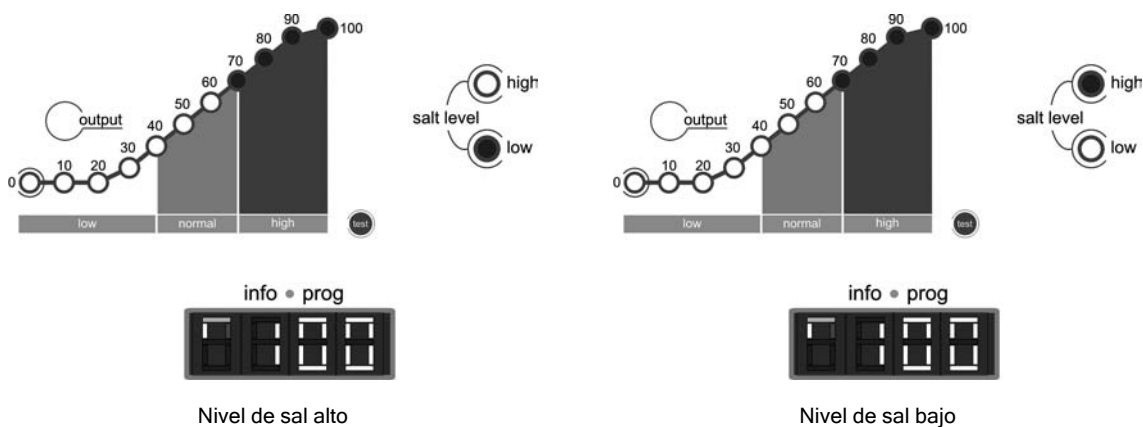
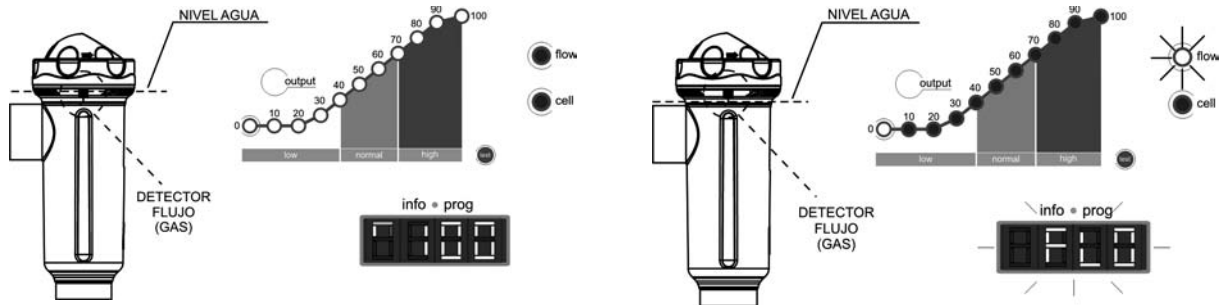


Fig. 28

- **NIVEL DE AGUA EN CELULA / DETECTOR DE FLUJO (GAS)**

Si en cualquier momento se formara una burbuja de aire o gas en la parte superior de la célula de electrolisis y el DETECTOR DE FLUJO no estuviese sumergido, el sistema desconectará automáticamente la producción, quedando el led "FLOW" [12] parpadeando, apareciendo además el mensaje "FLO" en la pantalla de información del sistema [11]. El sistema se rearma automáticamente una vez se restituye el paso de agua por la célula o la burbuja es evacuada.



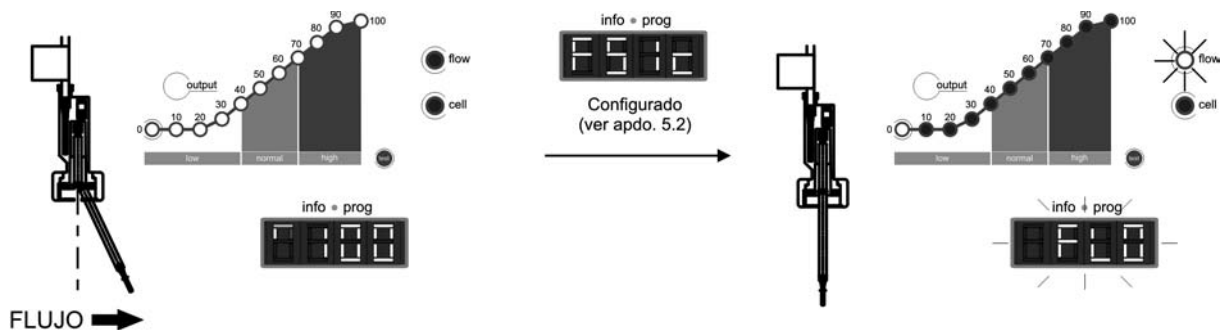
1. Detector de gas sumergido. Flujo correcto. Sistema operativo.

2. Gas detectado. Flujo insuficiente. Sistema detenido.

Fig. 29

- **DETECTOR DE FLUJO EXTERNO / INTERRUPTOR FLUJO OPCIONAL (no suministrado con el equipo)**

Si durante el proceso de configuración de sistema (apartado 5.2) se activa la entrada para el interruptor de flujo externo, el sistema desconectará automáticamente la producción, quedando el led "FLOW" [12] parpadeando, apareciendo además el mensaje "FLO" en la pantalla de información del sistema [11]. El sistema se rearma automáticamente una vez se restituye el paso de agua por el interruptor de flujo.



1. Detector de flujo activado (contacto cerrado). Sistema operativo.

2. Detector de flujo en reposo (contacto abierto). Sistema detenido.

Fig. 30

- ELECTRODOS**

El sistema DOMOTIC Series dispone de un led de indicación de mal funcionamiento en los electrodos de la célula de electrolisis [13]. Este mal funcionamiento normalmente será debido al proceso de pasivación de los electrodos una vez alcanzado el fin de su tiempo de vida útil. No obstante, y a pesar de tratarse de un sistema auto-limpiante, este mal funcionamiento también podría deberse a la formación excesiva de incrustaciones sobre los electrodos si el sistema se hace funcionar en aguas de gran dureza y pH elevado.

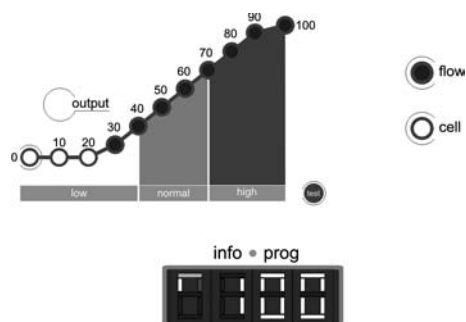


Fig. 31A

- TIEMPO DE FUNCIONAMIENTO (versión firmware 3.3.0 y posteriores)**

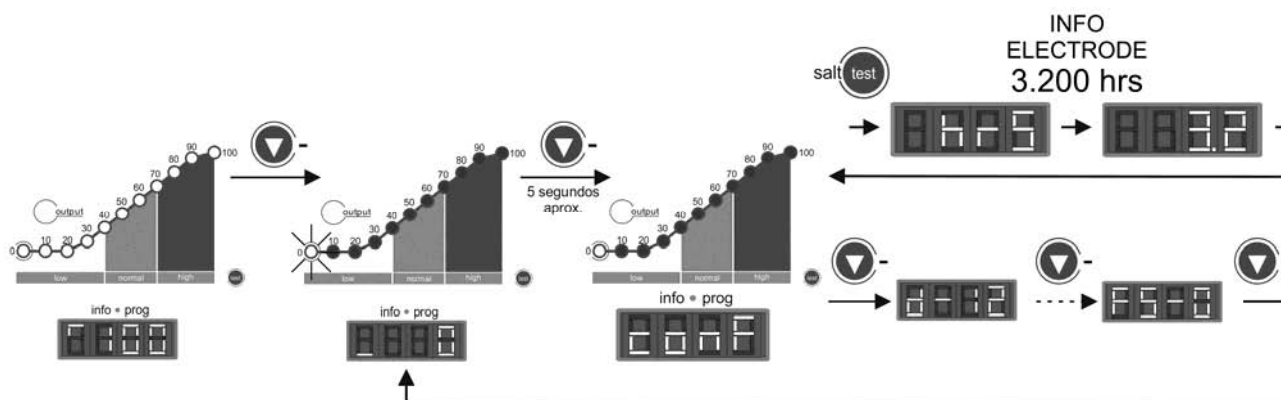


Fig. 31B

- VALOR PH / ORP FUERA DE RANGO (sólo en modelos DOM-XX PH y DOM-XX PLUS)**

El controlador de pH/ORP integrado dispone de dos led ALARMA, los cuales se iluminan siempre que se detecte un valor anómalo de pH inferior a 6.5 "LOW" [19] o superior a 8.5 "HIGH" [16]; o de ORP fuera del rango 600 mV "LOW" [25] - 850 mV "HIGH" [22]. Cuando el regulador detecta una alarma de PH activa, abre la salida de control de la bomba dosificadora (pH).

6. MANTENIMIENTO:

6.1. Mantenimiento de la célula de electrolisis

La célula debe mantenerse en condiciones adecuadas para asegurar un largo tiempo de funcionamiento. El sistema de electrolisis salina dispone de un sistema de limpieza automática de los electrodos que evita que se formen incrustaciones calcáreas sobre los mismos, por lo que no es previsible que sea necesario efectuar limpieza alguna de los mismos. No obstante, si fuese necesario efectuar la limpieza en el interior de la célula, proceder de la siguiente forma:

1. Desconectar la alimentación 230 Vac del equipo.
2. Desenroscar la tuerca de cierre situada en el extremo donde se encuentran los electrodos y sacar el paquete de electrodos.
3. Utilizar una solución diluida de ácido clorhídrico (una parte de ácido en 10 partes de agua), sumergiendo el paquete de electrodos en la misma durante 10 minutos como máximo.
4. NUNCA RASPAR NI CEPILLAR LA CELULA O LOS ELECTRODOS.

Los electrodos de un sistema de electrolisis salina están constituidos por láminas de titanio recubiertas de una capa de óxidos de metales nobles. Los procesos de electrolisis que tienen lugar sobre su superficie producen su desgaste progresivo, por lo que, con el fin de optimizar el tiempo de duración de los mismos, se deberían tener en cuenta los siguientes aspectos:

1. Pese a que se trata de sistemas de electrolisis salina AUTOLIMPIANTES, un funcionamiento prolongado del sistema a valores de pH por encima de 7,6 en aguas de elevada dureza puede producir la acumulación de depósitos calcáreos sobre la superficie de los electrodos. Estos depósitos deteriorarán progresivamente el recubrimiento, ocasionando una disminución de su tiempo de vida útil.
2. La realización de limpiezas/lavados frecuentes de los electrodos (como los descritos anteriormente) acortará su vida útil.
3. El funcionamiento prolongado del sistema a salinidades inferiores a 3 g./l. ocasiona un deterioro prematuro de los electrodos.
4. La utilización frecuente de productos algicidas con altos contenidos de cobre, puede producir la deposición del mismo sobre los electrodos, dañando progresivamente el recubrimiento. Recuerde que el mejor algicida es el cloro.

6.2. Calibración del sensor de pH (sólo en modelos DOM-XX PH y DOM-XX PLUS)

El controlador de pH integrado dispone de dos modos de calibración del sensor de pH: "FAST" (rápido) y "ESTANDAR". Resulta recomendable efectuar un calibración del sensor de pH al menos una vez al mes.

6.2.1. MODO "FAST"

El modo "FAST" permite la calibración rutinaria del sensor frente a pequeñas desviaciones del mismo **sin necesidad de extraer el sensor de la instalación ni la utilización de disoluciones patrón.**

PROCEDIMIENTO:

1. Asegurarse que el punto donde se encuentra insertado el sensor está inundado, y la depuradora está en recirculación.
2. Mediante un kit de medida de pH, medir el pH actual del agua de la piscina.
3. Pulsar la tecla "CAL" [17] durante 5 seg. aproximadamente hasta que el equipo emita un pitido y soltar la tecla. La pantalla de indicación del valor de pH programado [18], indicará "7.0" parpadeando.
4. Mantener pulsada la tecla "SET" [20] hasta que aparezca el valor de pH medido en el agua anteriormente mediante el correspondiente kit. Una vez alcanzado, soltar y pulsar la tecla "CAL" [17]. Si no se ha detectado ningún error, el sistema habrá quedado calibrado.

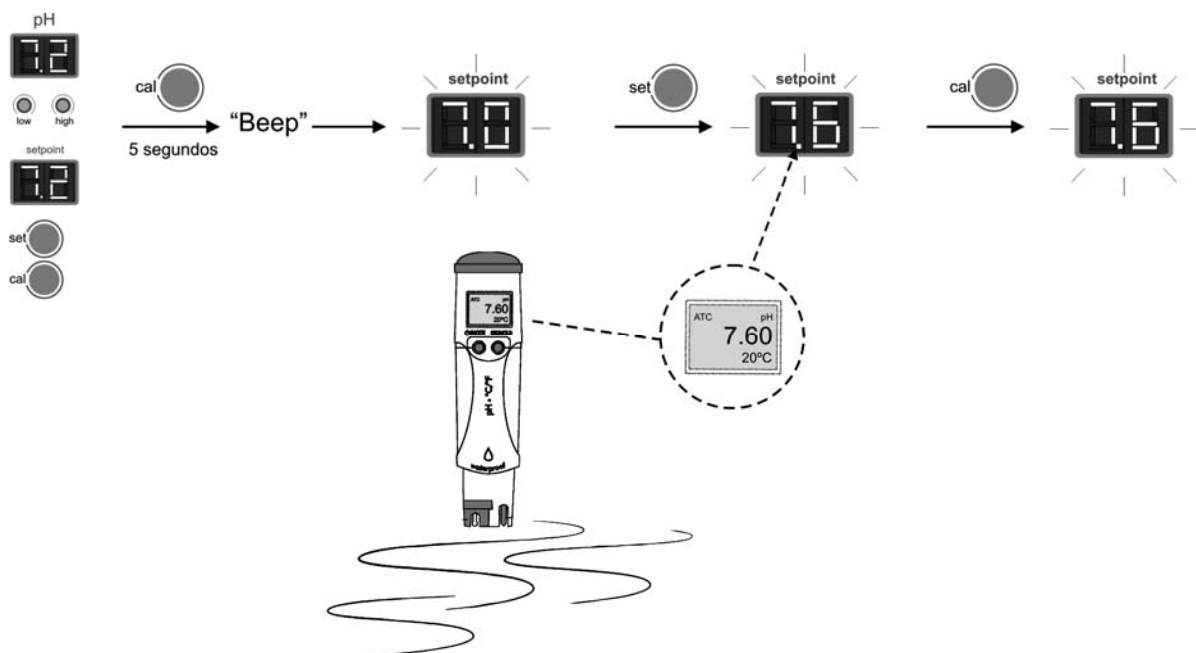


Fig. 32

6.2.2. MODO "ESTANDAR"

El modo "ESTANDAR" permite la calibración precisa del sensor mediante el empleo de dos disoluciones patrón de pH 7.0 y 4.0, sin embargo requiere la extracción del sensor de la instalación.

PROCEDIMIENTO:

IMPORTANTE: antes de proceder al cierre de las válvulas del by-pass, detener el sistema tal y como se describe en el apartado 5.1.

1. Extraer el sensor del portasondas y lavarlo con abundante agua.



Fig. 33

2. Pulsar la tecla "CAL" [17] aproximadamente durante 5 segundos hasta que el equipo emita un pitido, y sin soltar ésta, pulsar la tecla "SET" [20] durante unos segundos, hasta que la pantalla de indicación de pH [15] indique "7.0" parpadeando.
3. Agitar suavemente el sensor para desprender las gotas de agua que pudiesen quedar adheridas al mismo e introducirlo en la disolución patrón pH=7.0 (color verde). Agitar suavemente unos segundos y pulsar la tecla "CAL" [17]. Una vez estabilizada la lectura, en la pantalla [15] parpadeará la indicación "4.0".

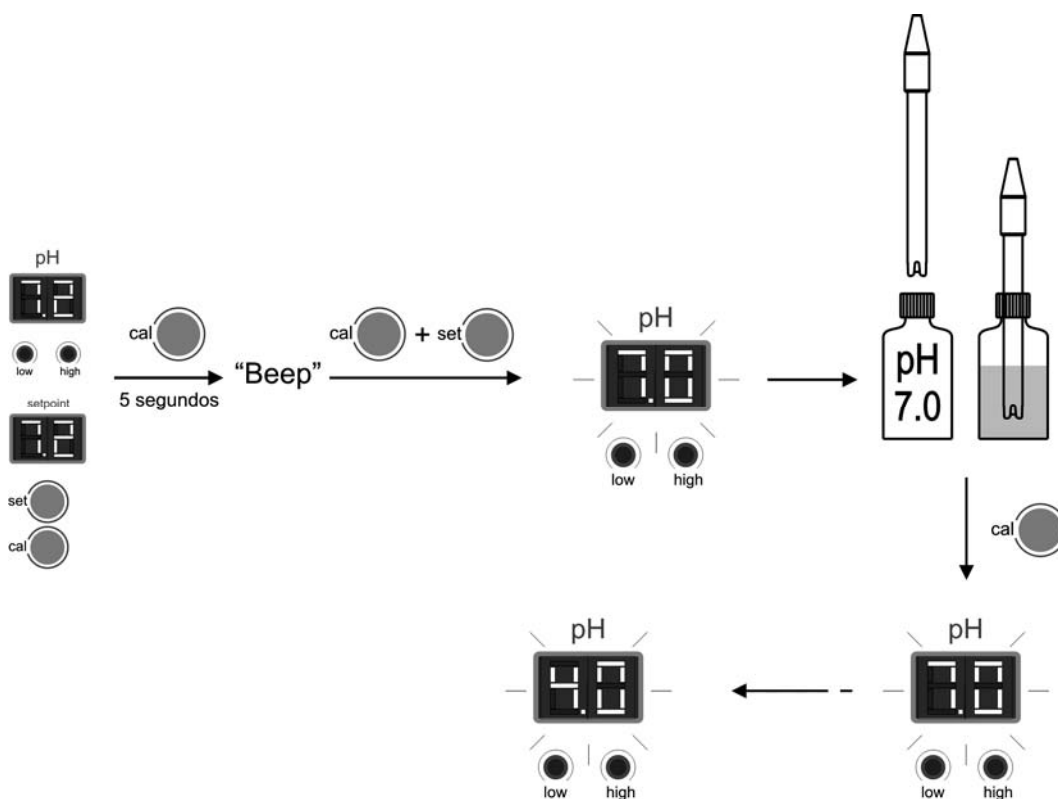


Fig. 34

4. Sacar el sensor de la disolución y enjuagarlo con agua abundante.
5. Agitar suavemente el sensor para desprender las gotas de agua que pudiesen quedar adheridas al mismo e introducirlo en la disolución patrón pH=4.0 (color rojo). Agitar suavemente unos segundos y pulsar la tecla "CAL" [17]. Una vez estabilizada la lectura, el regulador saldrá automáticamente del modo de calibración y quedará operativo.

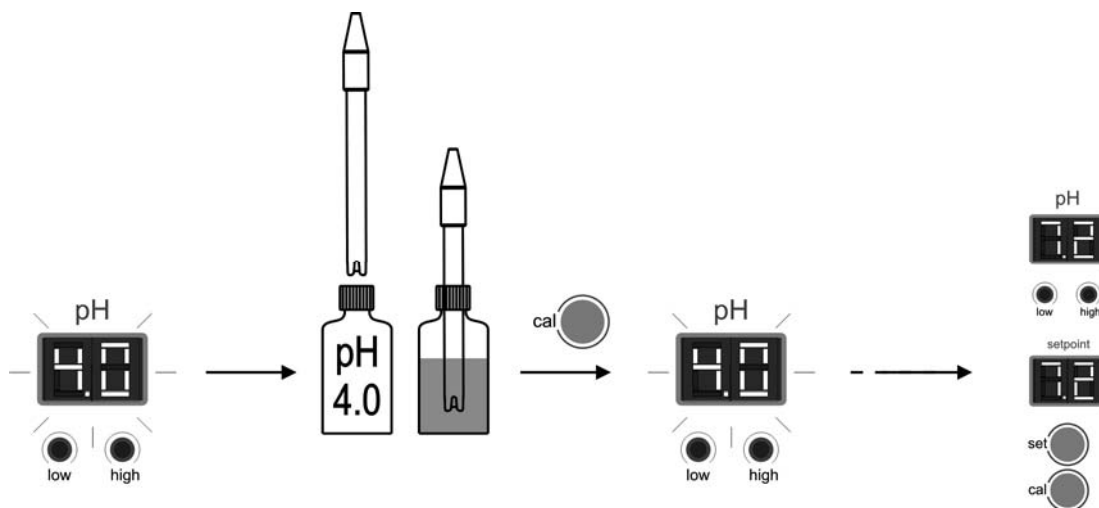
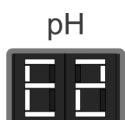


Fig. 35

MENSAJES DE ERROR:



Si el proceso de calibración se interrumpe por cualquier motivo, el regulador saldrá automáticamente del modo calibración transcurridos unos segundos sin que se detecte la intervención del usuario. En este caso, aparecerá durante unos instantes la indicación “E1” en la pantalla [15].



Si el valor de pH detectado durante la calibración es muy diferente al esperado (p.e., sonda defectuosa, etc.), la pantalla [15] indicará “E2”, no permitiéndose el calibrado del mismo.



Si la medida de pH es inestable durante el proceso de calibración, aparecerá el código “E3” en la pantalla [15]. Asimismo, no se permitirá la calibración del sensor.

6.3. Calibración del sensor de ORP (sólo en modelos DOM-XX PLUS)

La frecuencia de recalibración del equipo deberá determinarse en cada aplicación en concreto. No obstante, recomendamos efectuarla al menos, una vez al mes durante al época de utilización de la piscina. El regulador de ORP dispone de un sistema de calibración automática del sensor de ORP mediante el empleo de una disolución patrón de 470 mV.

PROCEDIMIENTO:

IMPORTANTE: antes de proceder al cierre de las válvulas del by-pass, desconectar el sistema desde el panel de control (ver Sección 5.1).

1. Extraer el sensor del portasondas y lavarlo con abundante agua.

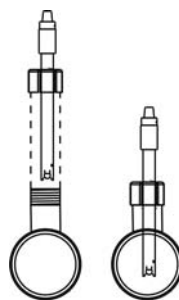


Fig. 36

2. Presione la tecla “CAL” [23] durante unos segundos hasta que en la pantalla de indicación de ORP [24] parpadee e indique “470”.
3. Agite el sensor suavemente de forma que se eliminen las posibles gotas de agua que pudiesen haber quedado adheridas al mismo, y a continuación, introducirlo en la disolución de calibración (470 mV). Agitar suavemente durante unos segundos, y presione la tecla “CAL” [23]. Si el proceso de calibración ha concluido satisfactoriamente, se escuchará un pitido largo, quedando el controlador calibrado y listo para funcionar.

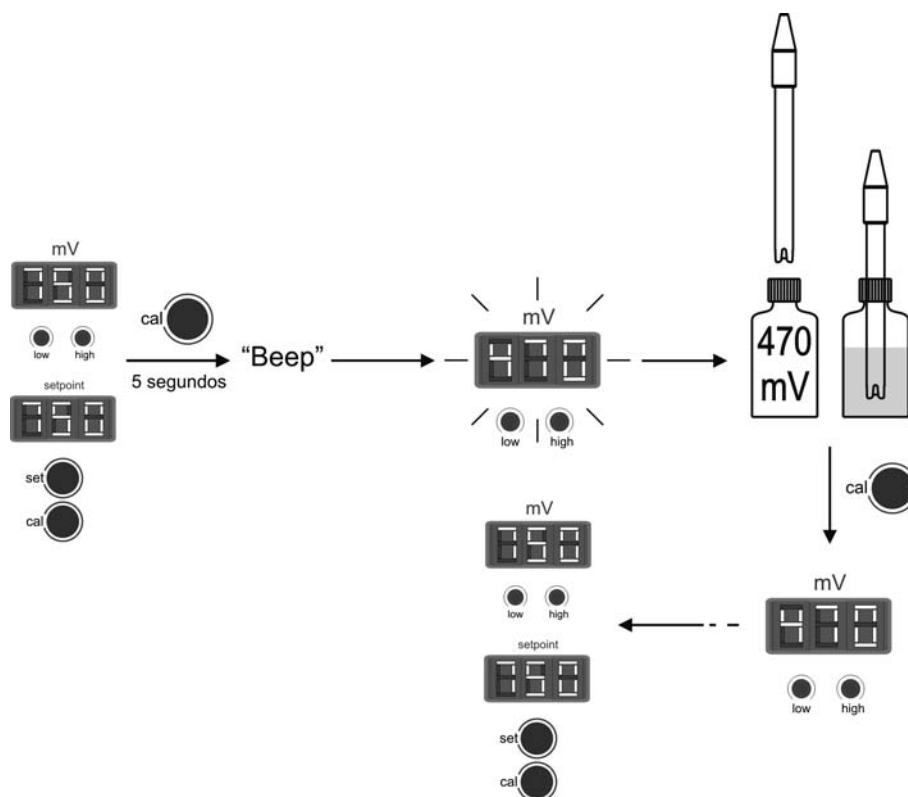
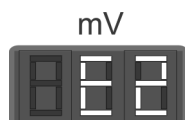


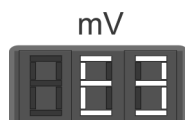
Fig. 37

MENSAJES DE ERROR:

Si el proceso de calibración se interrumpe por cualquier motivo, el regulador saldrá automáticamente del modo calibración transcurridos unos segundos sin que se detecte la intervención del usuario. En este caso, aparecerá durante unos instantes la indicación "E1" en la pantalla [21].



Si el valor de ORP detectado durante la calibración es muy diferente al esperado (p.e., sensor defectuoso, etc.), la pantalla [21] indicará "E2", no permitiéndose el calibrado del mismo.



Si la medida de ORP es inestable durante el proceso de calibración, aparecerá el código "E3" en la pantalla [21]. Asimismo, no se permitirá la calibración del sensor.

6.4. Mantenimiento de los sensores de pH/ORP

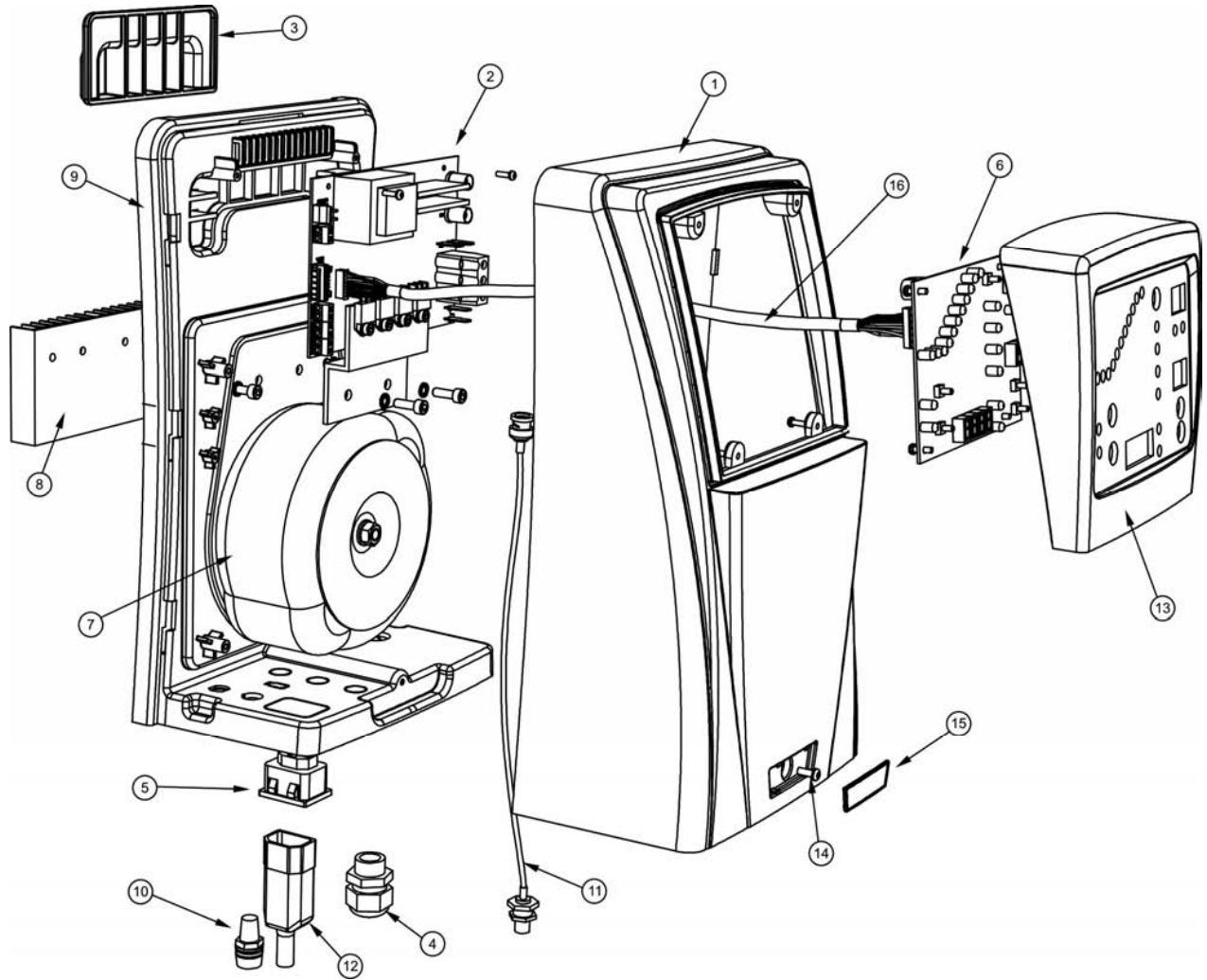
1. Verificar que la membrana del sensor permanezca en todo momento húmeda.
2. Si no va a utilizar el sensor durante un período largo, consévelo sumergido en una disolución de conservación a pH=4.0
3. Para limpiar el sensor de posible suciedad, evitar utilizar materiales abrasivos que puedan arañar la superficie de medida.
4. **Los sensores de pH/ORP son una parte consumible y necesitarán ser reemplazados transcurrido un tiempo de operación.**

7. PROBLEMAS / SOLUCIONES: _____

Cualquier acción requerida para solucionar posibles problemas en el equipo debe realizarse siempre con éste desconectado de la red eléctrica. Cualquier problema no contemplado en el siguiente listado deberá ser solucionado por un técnico responsable de IDEGIS.

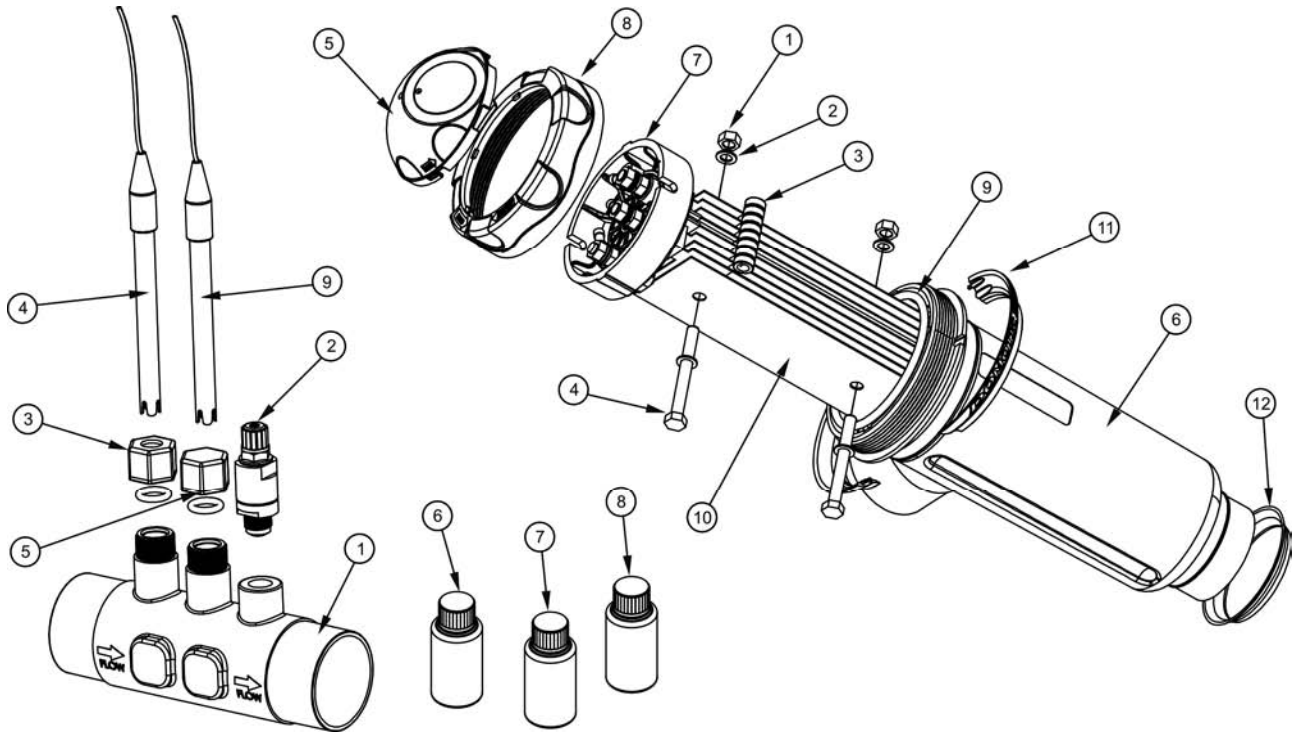
PROBLEMA	SOLUCION
<p>El indicador de producción indica siempre "0" en cualquier nivel de producción seleccionado</p>	<p>Comprobar los electrodos.</p> <p>Comprobar las conexiones entre la fuente de alimentación y la célula de electrolisis.</p> <p>Comprobar la concentración de sal.</p>
<p>La fuente de alimentación no se conecta</p>	<p>Comprobar que el sistema está convenientemente conectado a 230 V/50-60 Hz en el cuadro de maniobra de la piscina.</p> <p>Comprobar el estado del fusible situado en la parte inferior del equipo.</p>
<p>Los niveles de cloro libre en el agua son demasiado bajos</p>	<p>Comprobar que el sistema produce cloro en las boquillas de impulsión.</p> <p>Verificar que los parámetros químicos del agua (pH, cloro combinado, ácido isocianúrico) son correctos.</p> <p>Aumentar el tiempo de filtración.</p> <p>Añadir estabilizante de cloro (ácido cianúrico) hasta alcanzar un nivel de 25 - 30 g/m³.</p>
<p>El controlador de pH/ORP indica siempre valores altos, o las lecturas son inestables</p>	<p>El cable de conexión del sensor de pH/ORP está dañado. Limpie los contactos o cambie el cable.</p> <p>El sensor de pH/ORP tiene una burbuja de aire en la zona de la membrana. Instale el sensor en posición vertical. Agitar suavemente hasta que desaparezca la burbuja.</p> <p>Fallo del sensor de pH/ORP. El cable de conexión es demasiado largo o está cerca de fuentes de interferencia electromagnética (motores, etc.). Sustituya el sensor. Instale el equipo lo más cerca posible del sensor.</p>
<p>Imposible calibrar el sensor de pH/ORP</p>	<p>La disolución de calibración está caducada o contaminada.</p> <p>La membrana del sensor está bloqueada. Comprobar que la membrana no esté dañada. Limpiar el sensor con ácido diluido en agua, agitando suavemente.</p> <p>Fallo del sensor. Sustituir por uno nuevo.</p>
<p>Respuesta lenta del sensor de pH/ORP</p>	<p>Sensor cargado electrostáticamente. Durante la fase de calibración los sensores no deben ser secados con papel o fibras. Limpiar exclusivamente con agua y agitar suavemente.</p> <p>Renovación insuficiente del agua analizada (no hay flujo de agua en el punto de análisis). Comprobar que el extremo del sensor está sumergido en el punto de análisis, y no hay burbujas de aire.</p>

8. COMPONENTES:



FUENTE DE ALIMENTACION

ID	CÓDIGO	DESCRIPCIÓN	DOM 12	DOM 24	DOM 32	DOM 42	DOM 12 PH	DOM 24 PH	DOM 32 PH	DOM 42 PH	DOM 12 PLUS	DOM 24 PLUS	DOM 32 PLUS	DOM 42 PLUS	CANT
1	DOM00-13	Chasis frontal fuente alimentación	X	X	X	X	X	X	X	X	X	X	X	X	1
2	DOM10-03	Tarjeta potencia AC-12	X												1
2	DOM18-03	Tarjeta potencia AC-22		X											1
2	DOM25-03	Tarjeta potencia AC-30			X										1
2	DOM40-03	Tarjeta potencia AC-7				X									1
2	DOM10-04	Tarjeta potencia AC-12/PH					X								1
2	DOM18-04	Tarjeta potencia AC-22/PH						X							1
2	DOM25-04	Tarjeta potencia AC-30/PH							X						1
2	DOM40-04	Tarjeta potencia AC-7/PH								X					1
2	DOM10-05	Tarjeta potencia AC-12/PH/ORP									X				1
2	DOM18-05	Tarjeta potencia AC-22/PH/ORP										X			1
2	DOM25-05	Tarjeta potencia AC-30/PH/ORP											X		1
2	DOM40-05	Tarjeta potencia AC-7/PH/ORP												X	1
3	DOM00-14	SopORTE pared	X	X	X	X	X	X	X	X	X	X	X	X	1
4	DOM00-03	Prensa-estopa M20	X	X	X	X	X	X	X	X	X	X	X	X	1
5	DOM00-04	Conector CEE22 H bomba pH externa	X	X	X	X	X	X	X	X	X	X	X	X	1
6	DOM00-05	Tarjeta visualizadora electrolisis	X	X	X	X									1
6	DOM00-15	Tarjeta visualizadora ELECT/PH					X	X	X	X					1
6	DOM00-26	Tarjeta visualizadora ELECT./PH/ORP									X	X	X	X	1
7	DOM10-02	Transformador potencia 190 VA	X				X				X				1
7	DOM18-02	Transformador potencia 370 VA		X				X				X			1
7	DOM25-02	Transformador potencia 480 VA			X				X				X		1
7	DOM40-02	Transformador potencia 490 VA				X				X				X	1
8	DOM00-07	Disipador exterior	X	X	X	X	X	X	X	X	X	X	X	X	1
9	DOM00-16	Estructura interna controladores	X	X	X	X	X	X	X	X	X	X	X	X	1
10	DOM00-09	Porta-fusible	X	X	X	X	X	X	X	X	X	X	X	X	1
11	DOM00-10	Latiguillo BNC interno					1	1	1	1	2	2	2	2	1
12	DOM00-11	Conector CEE22 M bomba pH externa					X	X	X	X	X	X	X	X	1
13	DOM00-17	Chasis frontal del terminal extraible	X	X	X	X	X	X	X	X	X	X	X	X	1
14	DOM00-18	Tornillo fijación chasis frontal de fuente	X	X	X	X	X	X	X	X	X	X	X	X	1
15	DOM00-19	Embellecedor frontal	X	X	X	X	X	X	X	X	X	X	X	X	1
16	DOM00-20	Cable tarjeta potencia-visualizadora	X	X	X	X	X	X	X	X	X	X	X	X	1



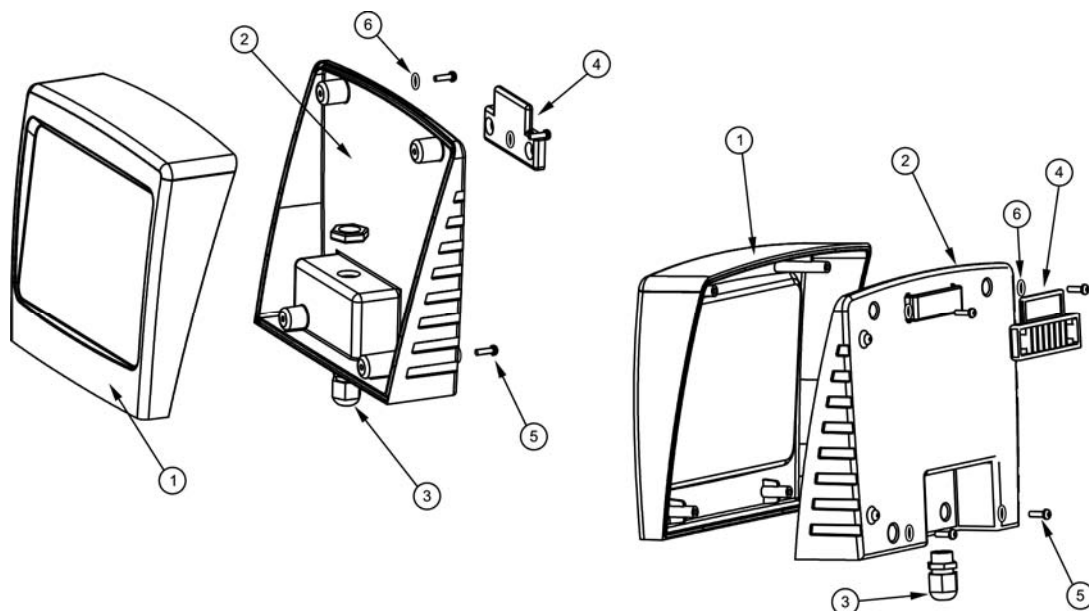
PORTA-SONDAS

ID	CÓDIGO	DESCRIPCIÓN	DOM 12	DOM 24	DOM 32	DOM 42	DOM 12 PH	DOM 24 PH	DOM 32 PH	DOM 42 PH	DOM 12 PLUS	DOM 24 PLUS	DOM 32 PLUS	DOM 42 PLUS	CANT
1	R-127	Cuerpo porta-sondas					X	X	X	X	X	X	X	X	1
2	R-035	Válvula inyección pH-minus 3/8" *					X	X	X	X	X	X	X	X	1
3	R-028	Porta-electrodos PE 12 mm					1	1	1	1	2	2	2	2	1
4	H-035	Sensor pH					X	X	X	X	X	X	X	X	1
5	R-127-01	Tapón M25 H					X	X	X	X					1
6	R-025	Solución de calibración pH 7.0 (verde)					X	X	X	X	X	X	X	X	1
7	R-026	Solución de calibración pH 4.0 (rojo)					X	X	X	X	X	X	X	X	1
8	R-027	Solución calibración ORP (470 mV)									X	X	X	X	1
9	RX-02	Sensor ORP EX									X	X	X	X	1

* elemento no suministrado con el equipo

CELULA DE ELECTROLISIS

ID	CÓDIGO	DESCRIPCIÓN	DOM 12	DOM 24	DOM 32	DOM 42	DOM 12 PH	DOM 24 PH	DOM 32 PH	DOM 42 PH	DOM 12 PLUS	DOM 24 PLUS	DOM 32 PLUS	DOM 42 PLUS	CANT
1	R-015-04	Tuerca M8 Nylon para electrodos	X	X	X	X	X	X	X	X	X	X	X	X	1
2	R-015-02	Arandela PP 1mm espesor	X	X	X	X	X	X	X	X	X	X	X	X	1
3	R-015-03	Separador PP para electrodos	X	X	X	X	X	X	X	X	X	X	X	X	1
4	R-015-01	Tornillo PP M8 porta-electrodos	X	X	X	X	X	X	X	X	X	X	X	X	1
5	R-303	Protector contactos	X	X	X		X	X	X		X	X	X		1
5	R-015-07	Protector contactos DOM-42				X				X				X	1
6	R-301	Célula	X	X	X		X	X	X		X	X	X		1
6	R-010	Célula DOM-42				X				X				X	1
7	R-015-05 DOM	Soporte electrodos DOMOTIC	X	X	X		X	X	X		X	X	X		1
7	R-015-05 BIP	Soporte electrodos DOM-42				X				X				X	1
8	R-302	Rosca cierre célula	X	X	X		X	X	X		X	X	X		1
8	R-015-06	Rosca cierre célula DOM-42				X				X				X	1
9	R-300	Junta vaso	X	X	X		X	X	X		X	X	X		1
9	R-015-08	Junta vaso DOM-42				X				X				X	1
10	R-058	Electrodos modelo DOM-12	X				X				X				1
10	R-059	Electrodos modelo DOM-24		X				X				X			1
10	R-060	Electrodos modelo DOM-32			X				X				X		1
10	R-304	Electrodos modelo DOM-42				X				X				X	1
11	R-010-01	Anillo embellecedor superior	X	X	X		X	X	X		X	X	X		1
12	R-010-02	Anillo embellecedor salida célula	X	X	X		X	X	X		X	X	X		1



TERMINAL EXTRAÍBLE OPCIONAL (no suministrado con equipo)

ID	CÓDIGO	DESCRIPCIÓN	DOM 12	DOM 24	DOM 32	DOM 42	DOM 12 PH	DOM 24 PH	DOM 32 PH	DOM 42 PH	DOM 12 PLUS	DOM 24 PLUS	DOM 32 PLUS	DOM 42 PLUS	CANT
1	DOM00-021	Tapadera	X	X	X	X	X	X	X	X	X	X	X	X	1
2	DOM00-022	Base caja visualizadora	X	X	X	X	X	X	X	X	X	X	X	X	1
3	DOM00-023	Prensaestopa M12	X	X	X	X	X	X	X	X	X	X	X	X	1
4	DOM00-024	Soporte pared	X	X	X	X	X	X	X	X	X	X	X	X	1
5	DOM00-025	Tornillo fijación 3x8 mm	X	X	X	X	X	X	X	X	X	X	X	X	4
6	DOM00-025	Junta tórica tornillo	X	X	X	X	X	X	X	X	X	X	X	X	4

9. CARACTERISTICAS TECNICAS:

ESPECIFICACIONES TECNICAS:

Tensión de servicio estándar

230V AC - 50/60 Hz.
 Cable: 3 x 1.0 mm², long. 2 m.
 Domotic Series 12 0.36 A
 Domotic Series 24 0.72 A
 Domotic Series 32 0.89 A
 Domotic Series 42 0.89 A

Fusible

Domotic Series 12 2A T (5x20 mm)
 Domotic Series 24 3.15A T (5x20 mm)
 Domotic Series 32 4A T (5x20 mm)
 Domotic Series 42 4A T (5x20 mm)

Tensión de salida

8-9 V DC (24 V DC DOM-42)
 Cable 3 x 4 mm², long. 2 m.
 Domotic Series 12 12 A (2x6 A)
 Domotic Series 24 24 A (2x12 A)
 Domotic Series 32 32 A (2x16 A)
 Domotic Series 42 42 A (6x7 A)

Producción

Domotic Series 12 10 - 12 g./h.
 Domotic Series 24 20 - 24 g./h.
 Domotic Series 32 25 - 32 g./h.
 Domotic Series 40 34 - 42 g./h.

Caudal recirculación mínimo

Domotic Series 12 2 m³/h.
 Domotic Series 24 4 m³/h.
 Domotic Series 32 6 m³/h.
 Domotic Series 42 8 m³/h.

Número de electrodos

Domotic Series 12 5
 Domotic Series 24 7
 Domotic Series 32 7
 Domotic Series 42 13

Peso neto (incluido embalaje)

Domotic Series 12 11 Kg.
 Domotic Series 24 13 Kg.
 Domotic Series 32 15 Kg.
 Domotic Series 42 17 Kg.

CARACTERISTICAS GENERALES:

Sistema de control

- Microprocesador.
- Teclado de membrana con pulsadores de control y leds indicadores de funcionamiento.
- E/S de control: 3 entradas tipo contacto libre de tensión para detector de flujo externo, estado de cubierta automática y controlador de ORP / cloro residual.
- Salida a célula: control de producción (11 niveles discretos).
- Controlador de pH integrado.
(sólo en modelos DOM-XXPH y DOM-XX PLUS)
- Controlador de ORP integrado.
(sólo en modelos DOM-XX PLUS).

Auto-limpieza

Automática, por inversión de polaridad

Temperatura de trabajo

De 0°C a +40°C
 Refrigeración por convección natural

Material

Fuente de alimentación / terminal mural
 o ABS
 Célula de electrolisis y porta-sondas
 o Metacrilato transparente

Sensor pH (modelos DOM-XX PH y DOM-XX PLUS)

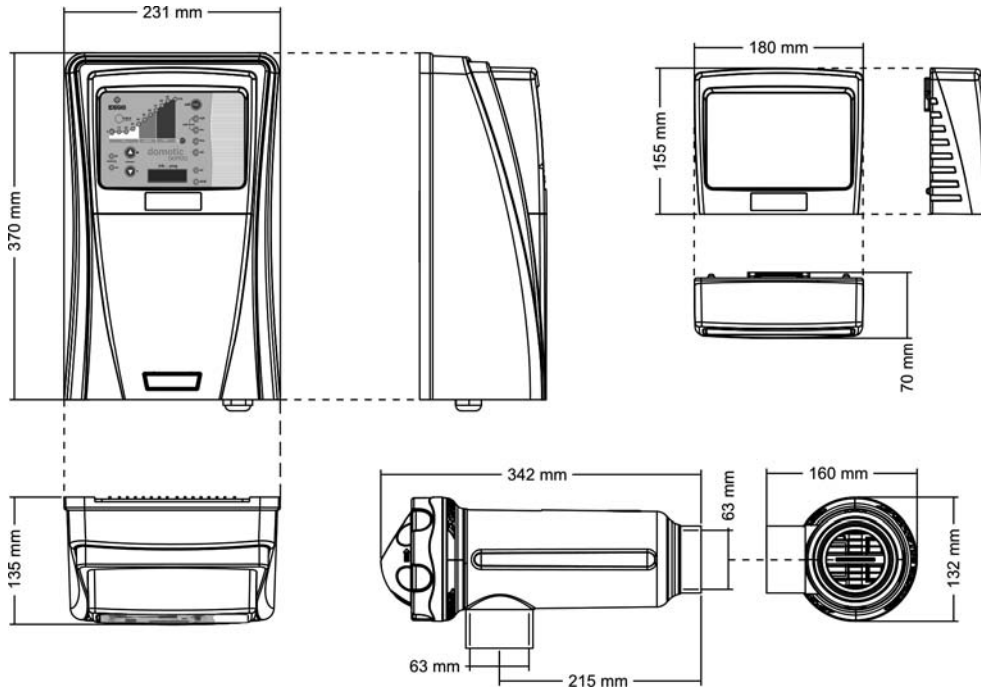
Cuerpo: plástico (color azul)
 Rango 0 -12 pH
 Electrolito sólido

Sensor ORP (modelos DOM-XX PLUS)

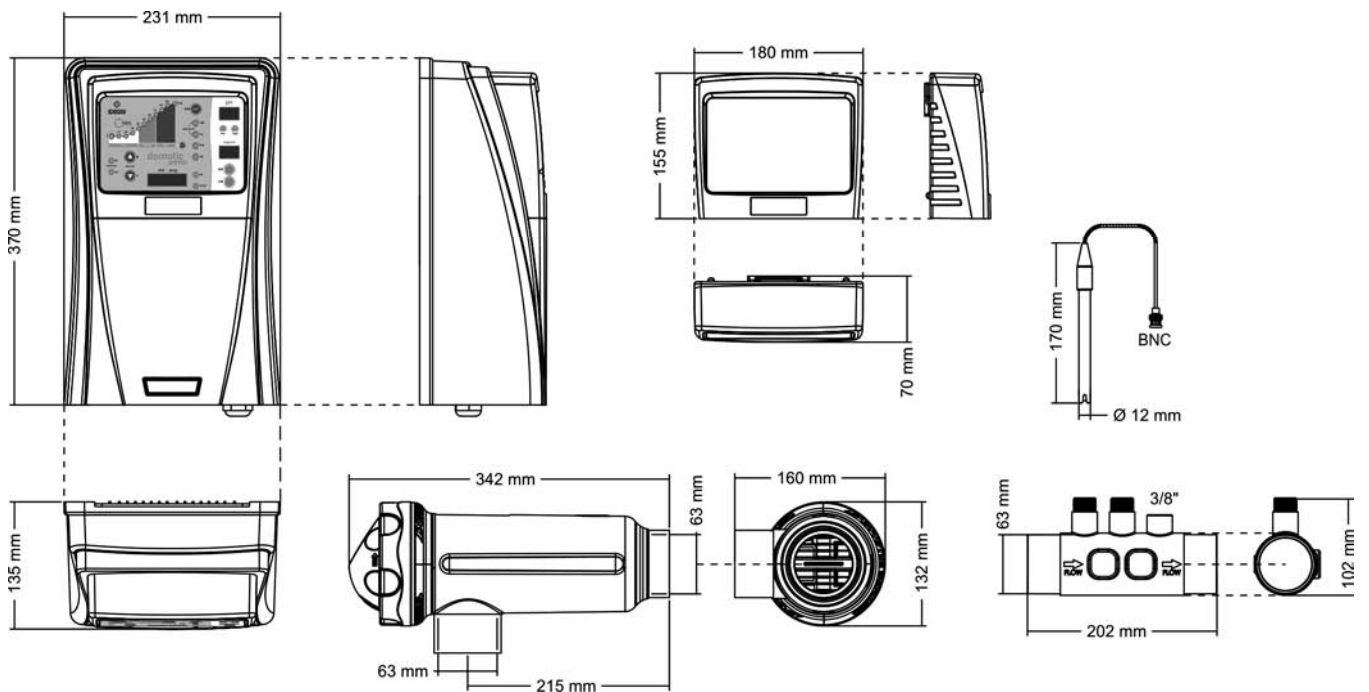
Cuerpo: plástico (color rojo)
 Rango 0 - 1000 mV
 Electrolito sólido

Dimensiones

DOMOTIC (modelos DOM-XX)



DOMOTIC PH / PLUS (modelos DOM-XX PH y DOM-XX PLUS)



10. CONDICIONES DE GARANTIA: _____

10.1. ASPECTOS GENERALES

- 10.1.1. De acuerdo con estas disposiciones, el vendedor garantiza que el producto correspondiente a esta garantía no presenta ninguna falta de conformidad en el momento de su entrega.
- 10.1.2. El Periodo de Garantía Total es de 3 AÑOS.
- 10.1.3. Garantías particulares:
 - 10.1.3.1. Los electrodos están cubierto por una garantía especial de 5 AÑOS ⁽¹⁾ ó 5.000 horas (lo que antes se cumpla), sin extensiones.
 - 10.1.3.2. Los sensores de pH/ORP están cubiertos por una garantía de 6 MESES sin extensiones.
 - 10.1.3.3. Estos periodos de garantía particulares está especialmente sujeto a las limitaciones expuestas en el apartado §10.3.2.
- 10.1.4. El periodo de Garantía se calculará desde el momento de su entrega al comprador.
- 10.1.5. Si se produjera una falta de conformidad del Producto y el comprador lo notificase al vendedor durante el Periodo de Garantía, el vendedor deberá reparar o sustituir el Producto a su propio coste en el lugar donde considere oportuno, salvo que ello sea imposible o desproporcionado.
- 10.1.6. Cuando no se pueda reparar o sustituir el Producto, el comprador podrá solicitar una reducción proporcional del precio o, si la falta de conformidad es suficientemente importante, la resolución del contrato de venta.
- 10.1.7. Las partes sustituidas o reparadas en virtud de esta garantía no ampliarán el plazo de la garantía del Producto original, si bien dispondrán de su propia garantía.
- 10.1.8. Para la efectividad de la presente garantía, el comprador deberá acreditar la fecha de adquisición y entrega del Producto.
- 10.1.9. Cuando hayan transcurrido más de seis meses desde la entrega del Producto al comprador y éste alegue falta de conformidad de aquél, el comprador deberá acreditar el origen y la existencia del defecto alegado.
- 10.1.10. El presente Certificado de Garantía no limita o prejuzga los derechos que correspondan a los consumidores en virtud de normas nacionales de carácter imperativo.

10.2. CONDICIONES PARTICULARES

- 10.2.1. Para la eficacia de esta garantía, el comprador deberá seguir estrictamente las indicaciones del Fabricante incluidas en la documentación que acompaña al Producto, cuando ésta resulte aplicable según la gama y modelo del Producto.
- 10.2.2. Cuando se especifique un calendario para la sustitución, mantenimiento o limpieza de ciertas piezas o componentes del Producto, la garantía sólo será válida cuando se haya seguido dicho calendario correctamente.

10.3. LIMITACIONES

- 10.3.1. La presente garantía únicamente será de aplicación en aquellas ventas realizadas a consumidores, entendiéndose por "consumidor", aquella persona que adquiere el Producto con fines que no entran en el ámbito de su actividad profesional.
- 10.3.2. Los periodos de garantía particulares establecidos en el apartado §10.1.3., no serán de aplicación en caso de utilización comercial del producto en instalaciones de acceso público (hoteles, centros deportivos, comunidades de propietarios, colegios, etc.). En estos casos se aplicará, a partir de las 4.500 horas verificables de funcionamiento, una garantía de tipo proporcional al tiempo de funcionamiento restante hasta el período de garantía original de 5.000 horas.
- 10.3.3. No se otorga ninguna garantía respecto del normal desgaste por uso del producto, ni tampoco respecto a las piezas, componentes y/o materiales fungibles o consumibles (a excepción del electrodo).
- 10.3.4. La garantía no cubre aquellos casos en que el Producto: (i) haya sido objeto de un trato incorrecto; (ii) haya sido inspeccionado, reparado, mantenido o manipulado por persona no autorizada; (iii) haya sido reparado o mantenido con piezas no originales o (iv) haya sido instalado o puesto en marcha de manera incorrecta.
- 10.3.5. Cuando la falta de conformidad del Producto sea consecuencia de una incorrecta instalación o puesta en marcha, la presente garantía sólo responderá cuando dicha instalación o puesta en marcha esté incluida en el contrato de compra-venta del Producto y haya sido realizada por el vendedor o bajo su responsabilidad.
- 10.3.6. Daños o fallos del producto debido a cualquiera de las siguientes causas:
 - o Programación del sistema y/o calibración inadecuada de los sensores de pH/ORP por parte del usuario.
 - o Funcionamiento a salinidades inferiores a 3 g./l. de cloruro sódico y/o temperaturas inferiores a 15°C o superiores a 40°C.
 - o Funcionamiento a pH superior a 7,6.
 - o Empleo de productos químicos no autorizados de forma explícita.
 - o Realización de tareas de limpieza de los electrodos con frecuencias injustificadamente altas, o con productos y/o procedimientos diferentes a los descritos en el Manual de Instrucciones.
 - o Exposición a ambientes corrosivos y/o temperaturas inferiores a 0°C o superiores a 50°C.

IMPORTANTE: Il manuale d'istruzioni in suo possesso contiene informazioni fondamentali sulle misure di sicurezza da adottare per l'installazione e la messa in servizio. Per ciò è imprescindibile che sia l'installatore che l'utente leggano le istruzioni prima di iniziare il montaggio e la messa in servizio.
Conservi questo manuale per poterlo consultare in futuro in merito al funzionamento di questo apparecchio



Eliminazione di rifiuti di apparecchiature domestiche elettriche ed elettroniche nell'Unione Europea

Tutti i prodotti marchiati con questo simbolo non si possono eliminare insieme ai rifiuti domestici una volta ultimato l'utilizzo. E' responsabilità dell'utilizzatore eliminare questo tipo di rifiuti in un punto di raccolta per lo smaltimento selettivo di rifiuti elettrici ed elettronici. Il trattamento ed il riciclo corretti di questi rifiuti contribuiscono in forma essenziale alla conservazione dell'ambiente e alla salute delle persone. Per ottenere un'informazione più precisa sui punti di raccolta contatti l'amministrazione locale.

Le istruzioni contenute in questo manuale descrivono il funzionamento e la manutenzione dei Sistemi per l'Elettrolisi del Sale DOMOTIC Series DOM-XX, DOM-XX PH e DOM-XX PLUS. Per ottenere il massimo rendimento dei Sistemi per l'Elettrolisi del Sale DOMOTIC Series è opportuno rispettare le istruzioni di seguito riportate:

1. VERIFICARE IL CONTENUTO DELL'IMBALLAGGIO: _____

All'interno dell'imballaggio troverà i seguenti accessori:

- Alimentatore.
- Cellula elettrolitica.
- Sensore pH (solamente in modelli DOM-XX PH e DOM-XX PLUS).
- Sensore ORP EX (solamente in modelli DOM-XX PLUS).
- Soluzioni di calibrazione pH 7.0 (verde) / pH 4.0 (rosso) / 470 mV ORP (solamente in modelli DOM-XX PH e DOM-XX PLUS).
- Porta-sonde (solamente in modelli DOM-XX PH e DOM-XX PLUS).
- Connettore CEE22 M per pompa dosatrice (solamente in modelli DOM-XX PH e DOM-XX PLUS).
- Manuale d'istruzioni.

2. CARATTERISTICHE GENERALI: _____

Una volta installato il Sistema per l'Elettrolisi del Sale DOMOTIC Series è necessario dissolvere una quantità di sale nell'acqua. Quest'acqua salina circola attraverso la cellula elettrolitica. Il Sistema per l'Elettrolisi del Sale DOMOTIC Series è composto da due elementi: una cellula elettrolitica ed un alimentatore. La cellula elettrolitica contiene un numero determinato di placche di titanio (elettrodi), in modo che quando si fa circolare all'interno una corrente elettrica e la soluzione salina, si forma cloro libero.

Il mantenimento d'un certo livello di cloro nell'acqua della piscina, garantirà la sua qualità sanitaria. Un Sistema per l'Elettrolisi del Sale DOMOTIC Series produce cloro quando il sistema di ricircolo della piscina (pompa e filtro) sono operativi.

L'Alimentatore dispone, oltre ad un microregolatore, di vari dispositivi di sicurezza che si attivano in caso d'un funzionamento anomalo del sistema.

I Sistemi per l'Elettrolisi del Sale DOMOTIC Series dispongono d'un sistema di pulizia automatica degli elettrodi che evita la formazione di incrostazioni negli stessi. Inoltre i Sistemi per l'Elettrolisi del Sale DOMOTIC-PH e DOMOTIC-PLUS includono un dispositivo di controllo automatico di pH, così un controllatore di ORP addizionale nel caso dei sistemi della serie DOMOTIC-PLUS.

3. AVVERTENZE DI SICUREZZA E RACCOMANDAZIONI: _____

- Il montaggio o la manutenzione devono essere effettuati da personale qualificato.
- Devono essere rispettate le norme di legge vigenti elettriche e per la prevenzione di incidenti.
- Il fabbricante non è responsabile in nessun caso del montaggio, installazione o messa in marcia non realizzate in conformità al presente manuale né di qualunque altra manipolazione o montaggio di componenti che non siano installati in fabbrica.
- I Sistemi per l'Elettrolisi del Sale DOMOTIC Series funzionano a 230 VAC, 50/60 Hz. Non cercare di alterare il sistema per farlo funzionare con un altro voltaggio.
- Assicurarsi di realizzare connessioni stabili onde evitare falsi contatti, con il conseguente surriscaldamento delle stesse.
- Prima di procedere all'impianto o alla sostituzione d'un componente, staccare l'apparecchio dalla rete elettrica, ed utilizzare esclusivamente pezzi di ricambio forniti da IDEGIS.
- Poiché il sistema genera calore, è importante installarlo in un luogo ben ventilato e cercare di mantenere gli spazi per la ventilazione liberi da qualsiasi elemento che li possa ostruire. Cercare di non installarlo vicino a materiali infiammabili.
- I Sistemi per l'Elettrolisi del Sale DOMOTIC Series dispongono d'un grado di protezione IP24. In nessun caso devono essere installati in zone esposte a rischio d'inondazione.

ALIMENTATORE

DESCRIZIONE	MODELLO			
	DOM-12 / DOM-12 PH / DOM-12 PLUS	DOM-24 / DOM-24 PH / DOM-24 PLUS	DOM-32 / DOM-32 PH / DOM-32 PLUS	DOM-42 / DOM-42 PH / DOM-42 PLUS
Tensione di alimentazione	230 V AC, 50/60 Hz.			
Uscita (dc)	12 A (2x6 A)	24 A (2x12 A)	32 A (2x16A)	42 A (6x7A)
Produzione (g/h)	10 - 12	20 -24	25 - 32	34 - 42
Volume piscina (m ³) Tiepida: 16 - 24°C Calda: +25°C	60 50	100 80	160 120	200 160
Rivelatore di flusso	Rivelatore di gas			
Rango di salinità / Temperatura	3 - 12 g./l. / +15 - 40°C			
Elettrodi	Titanio con rivestimento AUTO-PULENTE Tempo di vita previsto: 4.000 - 7.000 ore			
Controllo di produzione	0 - 100 % (11 livelli di produzione)			
Controllo della copertura	Entrata per contatto libero di tensione. Riduzione di produzione programmabile dal pannello di controllo con copertura chiusa [10% ... 90%]			
Inversione di polarità	Programmabile dal pannello di controllo: 2/3 ore + modo test			
Controllo esterno	Due entrate per contatto libero di tensione per commutatore di flusso esterno e controllo ORP/COLORO RESIDUO. Logica del contatto programmabile dal pannello di controllo di l'unità.			
Protezione del livello di sale	Protezione automatica di produzione			

CELLULA ELETTROLITICA

DESCRIZIONE	MODELLO			
	DOM-12 / DOM-12 PH / DOM-12 PLUS	DOM-24 / DOM-24 PH / DOM-24 PLUS	DOM-32 / DOM-32 PH / DOM-32 PLUS	DOM-42 / DOM-42 PH / DOM-42 PLUS
Flusso minimo d'acqua	2 m ³ /h	4 m ³ /h	6 m ³ /h	8 m ³ /h
Numero di elettrodi	5	7	7	13
Materiale	Derivato metacrilato			
Connessione	Con adesivo per tubo PVC Ø 63 mm.			
Pressione max. raccomandata	1 Kg./cm ²			
Temperatura d'operazione	Meno di 40°C			

CONTROLLO DI PH/ORP

DESCRIZIONE	MODELLO			
	DOM-12 PH / DOM-12 PLUS	DOM-24 PH / DOM-24 PLUS	DOM-32 PH / DOM-32 PLUS	DOM-42 PH / DOM-42 PLUS
Rango di misura	0.0 - 9.9 (pH) / 0 - 999 mV (ORP)			
Rango di controllo	7.0 - 7.8 (pH) / 600 - 850 mV (ORP)			
Precisione	± 0.1 pH / ± 1 mV			
Calibrazione	Automatica con soluzioni di calibrazione			
Uscita di controllo [pH]	Un'uscita 230 VAC / 500 mA per connessione della pompa dosatrice			
Sensori pH / ORP	Corpo epoxy, 12x150 mm., unione semplice, 0-80°C colore BLU, rango 0 - 12 (pH) colore ROSSO, rango 0 - 1000 (mV)			

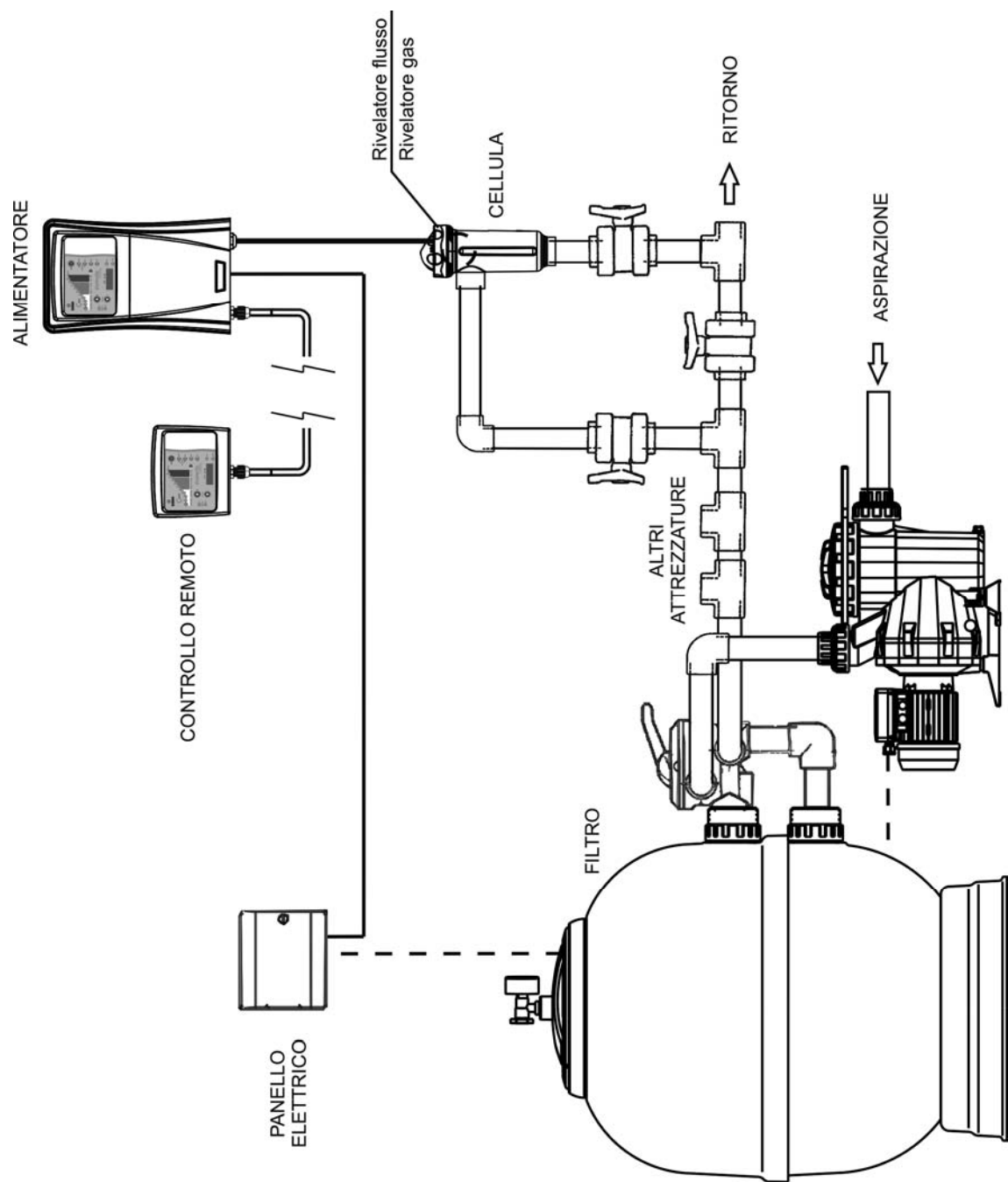


Fig.1 Schema di installazione raccomandata (modelli DOMOTIC Series DOM-XX).

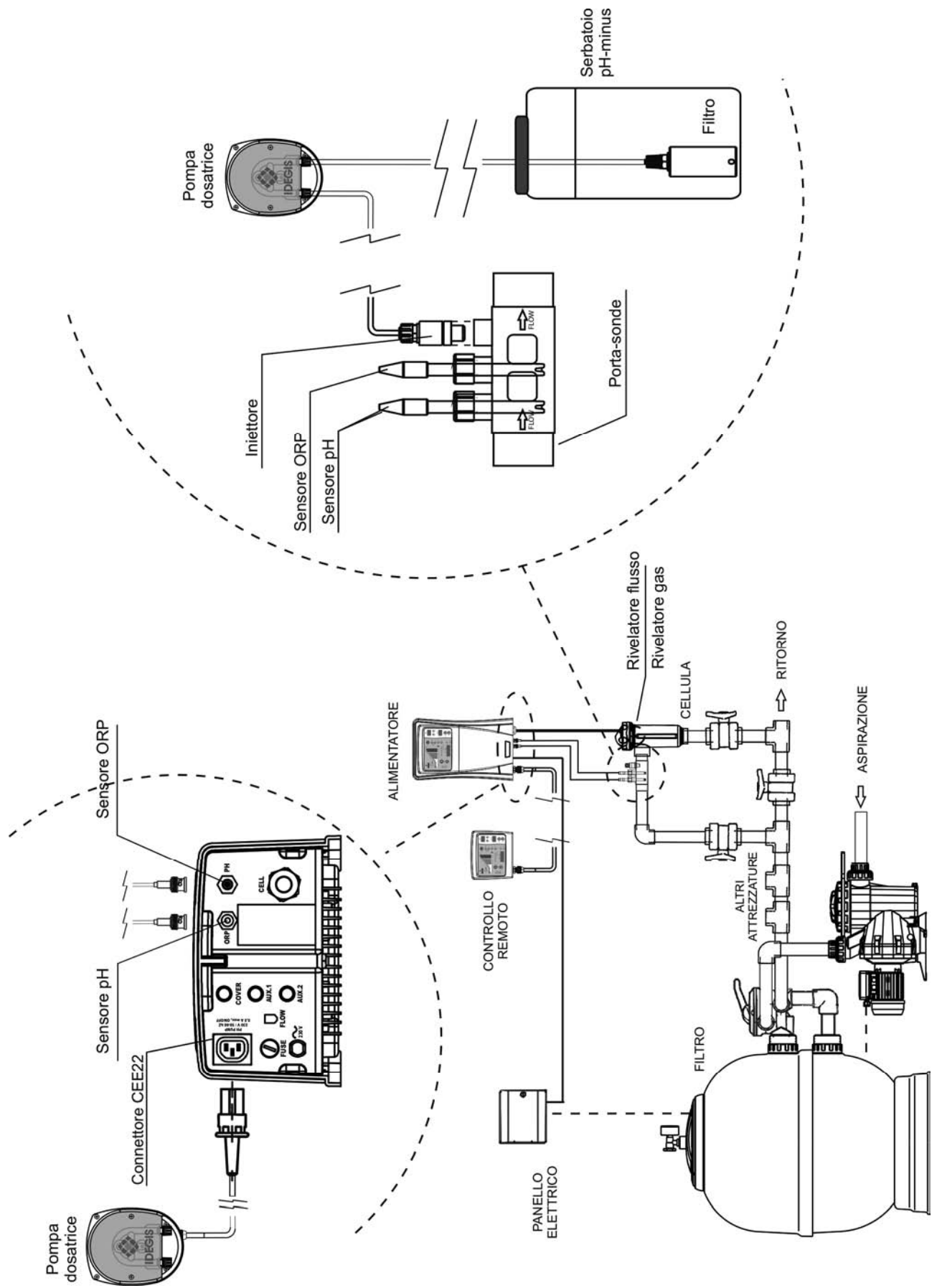


Fig.2 Schema di installazione raccomandata (modelli DOMOTIC Series DOM-XX PH e DOM-XX PLUS).

4. INSTALLAZIONE:

4.1. Installazione dell'ALIMENTATORE

Installare sempre l'ALIMENTATORE del sistema DOMOTIC Series in modo VERTICALE e su una superficie (parete) rigida così come si mostra nello schema di installazione raccomandata (Figs. 1,2). Per garantire il buono stato di conservazione si deve installare il sistema in un luogo asciutto e ben ventilato. Il grado di tenuta dell'ALIMENTATORE del sistema DOMOTIC Series non permette la sua esposizione alle intemperie. L'ALIMENTATORE dovrebbe essere installato sufficientemente lontano dalla cellula elettrolitica in modo che non possa ricevere accidentalmente spruzzi d'acqua.

Evitare assolutamente la formazione di ambienti corrosivi dovuti alle soluzioni che abbassano il pH (in particolare quelle che contengono acido cloridrico "HCl"). Non installare il sistema DOMOTIC Series vicino ai luoghi di stoccaggio di questi prodotti. Raccomandiamo vivamente l'uso di prodotti a base di bisolfato sodico o acido solforico diluito. La connessione dell'alimentatore alla rete elettrica deve essere effettuata nel quadro di manovra del depuratore, in modo che la pompa ed il sistema DOMOTIC Series si accendano simultaneamente.

4.2. Installazione della cellula d'elettrolisi

La cellula elettrolitica è fabbricata in polimero trasparente dentro il quale si trovano gli elettrodi. La cellula elettrolitica dovrebbe essere installata in un luogo protetto dall'intemperie, sempre in mandata ed a valle di qualsiasi altro dispositivo dell'impianto come pompe di calore, sistemi di controllo, ecc.

L'installazione dovrebbe essere effettuata in modo tale da permettere il facile accesso dell'utente agli elettrodi installati. La cellula elettrolitica deve essere posizionata sempre in modo VERTICALE ad un'altezza tale della tubazione che possa essere isolata dal resto dell'impianto mediante due valvole, allo scopo di poter realizzare le operazioni di manutenzione della stessa senza dover svuotare totalmente o parzialmente la piscina.

Nel caso in cui la cellula sia installata in by-pass (opzione raccomandata), si dovrà inserire una valvola che ne regoli il flusso all'interno. Prima di procedere all'installazione definitiva del sistema, tenere conto delle seguenti raccomandazioni:

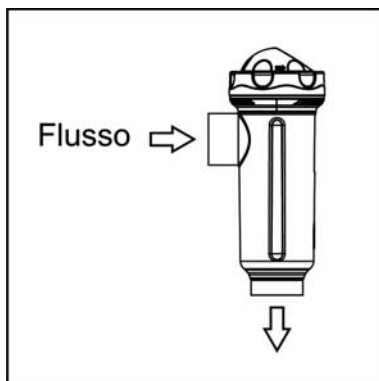


Fig. 3

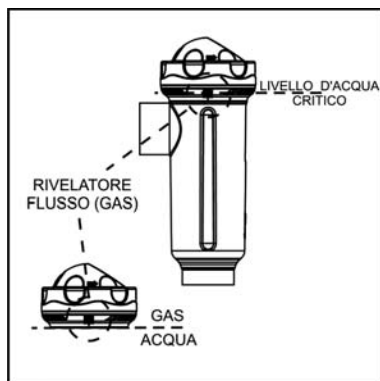


Fig. 4

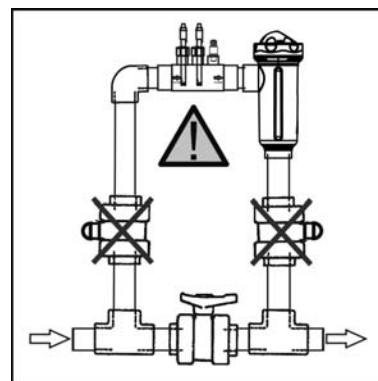


Fig. 5

1. Rispettare il senso di flusso indicato nella cellula. Il sistema di ricircolo deve garantire il flusso minimo indicato nella precedente Tabella di SPECIFICHE TECNICHE per ogni modello (vedere Sezione 9).

2. Il sistema rivelatore di flusso si attiva in caso di assenza o scarsità di ricircolo (flusso) d'acqua attraverso la cellula. La non evacuazione del gas di elettrolisi produce una sacca che isola elettricamente l'elettrodo ausiliario (rilevamento elettronico). Pertanto, inserendo gli elettrodi nella cellula, la sonda di livello (elettrodo ausiliario) dovrà rimanere situata nella parte superiore della stessa. La disposizione più sicura è quella dello schema di installazione raccomandata. Per evitare un'eccessiva vibrazione degli elettrodi, questi dovrebbero essere collocati all'interno della cellula parallelamente al flusso d'acqua.

3. **ATTENZIONE:** il rivelatore di flusso non funzionerà correttamente, con il conseguente rischio di rottura della cellula, se si chiudono simultaneamente le valvole di entrata ed uscita alla tubazione dove deve essere installata la cellula elettrolitica. Nonostante sia una situazione inusuale, **può essere evitata bloccando, una volta installato l'impianto, la valvola di ritorno verso la piscina**, in modo che non possa essere manipolata accidentalmente.

Altri schemi di installazione possono risultare accettabili solo se permettono l'individuazione di flusso debole o nullo.

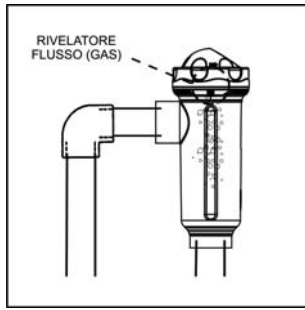


Fig. 6

Installazione raccomandata

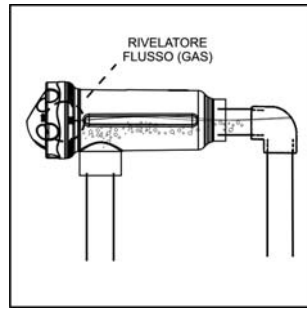


Fig. 7

Installazione permessa

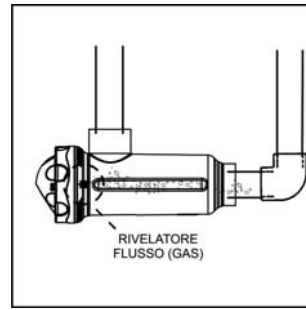


Fig 8

Installazioni non permesse

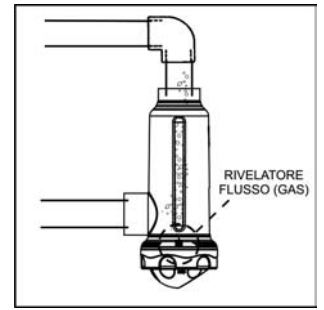


Fig 9

Gli elettrodi dovranno essere inseriti all'interno della cellula d'elettrolisi, facendo in modo che l'elettrodo centrale del gruppo si incastri nelle guide situate nella parte superiore ed inferiore del corpo della stessa.

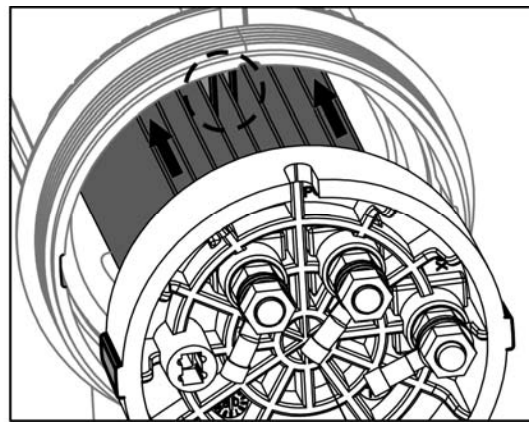
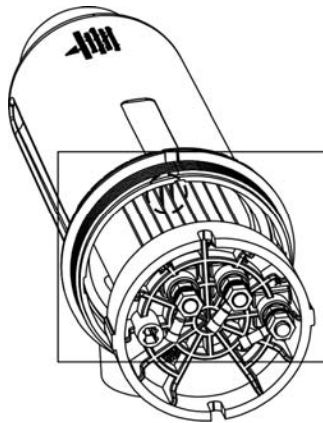


Fig 10

4.3. Collegamenti elettrici della cellula d' elettrolisi

A causa dell'intensità di corrente relativamente elevata che circola per i cavi di alimentazione della cellula elettrolitica, non si deve assolutamente modificare la lunghezza né il diametro degli stessi senza consultare previamente il suo distributore autorizzato IDEGIS. Il cavo di connessione cellula-alimentatore non deve mai superare la lunghezza massima specificata in questo Manuale: **DOM-12 (6 A), 7.5 m.**; **DOM-24 (12 A), 4.0 m.**; **DOM-32 (16 A), 3.0 m.**; **DOM-42 (7 A), 16.0 m.**

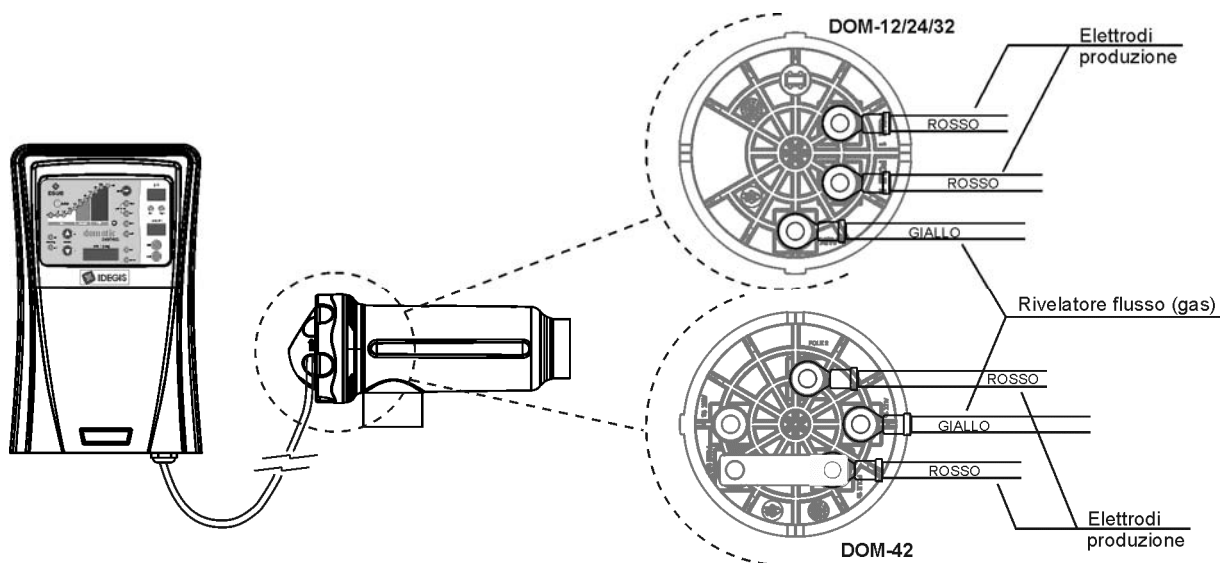


Fig.11

4.4. Installazione della sonda di pH/ORP (solamente in modelli DOM-XX PH e DOM-XX PLUS)

1. Inserire le sonde di pH/ORP forniti con il sistema negli appositi alloggi del porta-sonde. (Fig. 12)
2. A tale scopo, allentare il dado del raccordo ed inserirvi la sonda.
3. I sensori devono essere inseriti nel raccordo in modo da garantire che il sensore collocato nel suo estremo rimanga sempre immerso nell'acqua che circola nella tubazione.
4. **Installare sempre le sonde di pH/ORP in posizione verticale o con un'inclinazione massima di 40° (Fig. 13).**

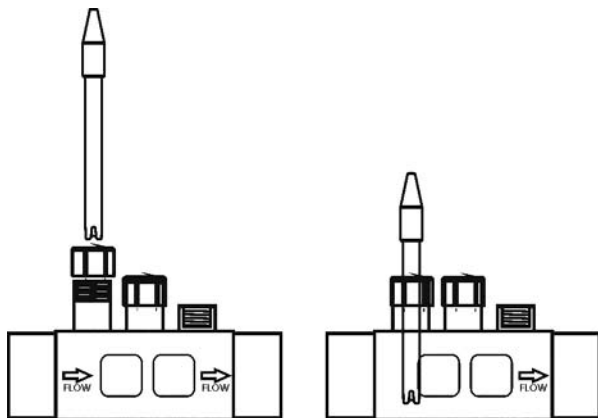


Fig. 12

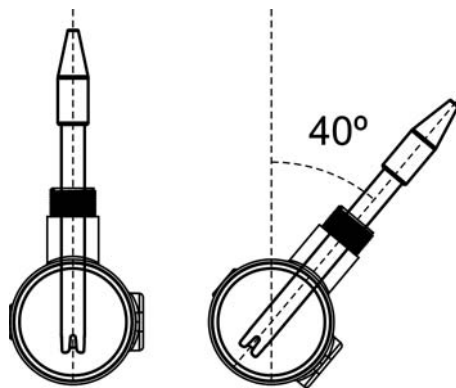


Fig. 13

4.5. Installazione del rivelatore di flusso esterno opzionale (non incluso con attrezzatura)

1. Installare la flangia fornita su un tratto della tubazione situato in prossimità dell'ingresso della cellula d'elettrolisi. La flangia dovrà essere installata in posizione orizzontale rispetto al pavimento (vedere Fig. 14-1).
2. Installare il rivelatore di flusso (interruttore di flusso), sempre in verticale, sulla flangia fornita (Fig. 14-1).
3. Sulla testa del rivelatore di flusso è segnata una freccia; assicurarsi che quest'ultima sia parallela all'asse della tubazione e sia rivolta nella direzione del flusso d'acqua (Fig. 14-2).
4. Non installare il rivelatore di flusso vicino ad oggetti ferromagnetici, dato che possono influire sul funzionamento del dispositivo magnetico collocato al suo interno e pertanto diminuirne l'affidabilità.

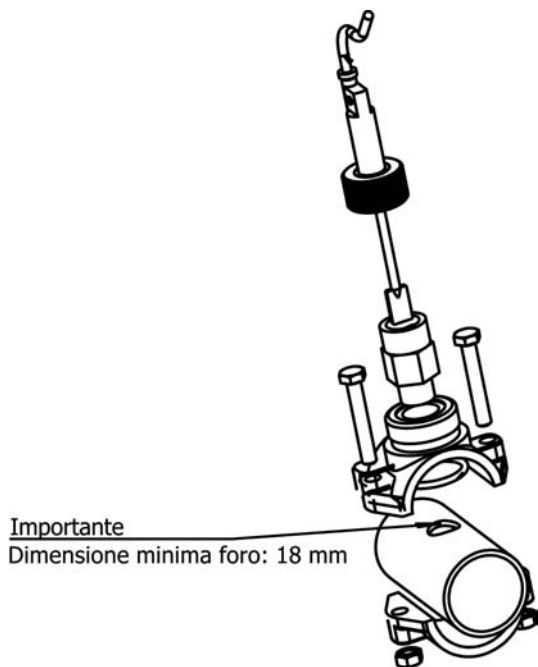


Fig. 14-1

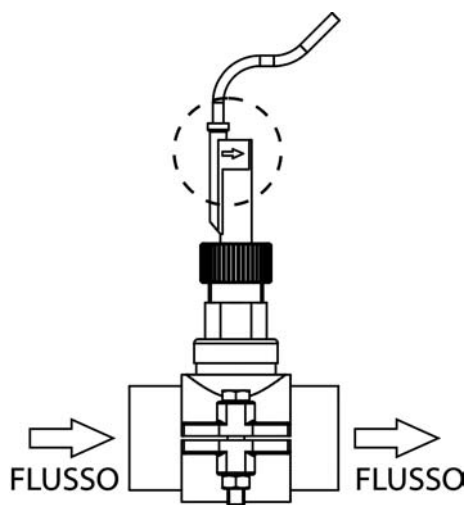


Fig. 14-2

4.6. Installazione del terminale di controllo extraibile

Nei sistemi DOMOTIC series è possibile da installare un controllo remoto del sistema d' elettrolisi salina installato alla piscina per mezzo di l'installazione di un terminale murale di controllo (telecomando). L' interconnessione tra l'alimentatore e il terminale de controllo può essere effettuata attraverso un cavo di segnale di 6 conduttori connesso agli rispettivi connettori delle carte di potenza e d'indicazioni. La lunghezza del cavo dipenderà dalle necessità dell'utente, ma non potrà superare mai i 40 metri. Il terminale è un elemento autoalimentato a 10,5 Vac per il proprio bus di comunicazioni, questo è il motivo per il quale non è necessario avere un'alimentazione addizionale.

Il terminale non richiede particolari procedimento di manutenzione, a eccezione di seguenti norme generale d'utilizzazione:

- Utilizzare uno panno leggermente inumidito con acqua per la pulizia.
- Non utilizzare prodotti di pulizia aggressivi (candeggina, aerosol, solventi, alcol, ecc.)

Il controllo remoto è stato disegnato per essere collocato su una parete rigida. Il livello di protezione IP-65 del controllo remoto permette la sua installazione alle intemperie. Tuttavia, è opportuno non esporre direttamente il terminale alla luce del sole. Per installare il terminale procedere come segue:

1. Togliere il coperchio dell'alimentatore svitando la vite di fissazione (Fig. 11-1) e scivolando verso l'alto e verso fuori (Fig. 11-2). A continuazione girare il coperchio verso la sinistra (Fig. 11-3) e sconnettere il cavo di comunicazione (A) della carta di potenza e della carta d'indicazione (Fig. 11-4).
2. Svitando le quattro viti di fissazione (Fig. 11-5).
3. Montare il terminale di controllo (Fig. 11-6).

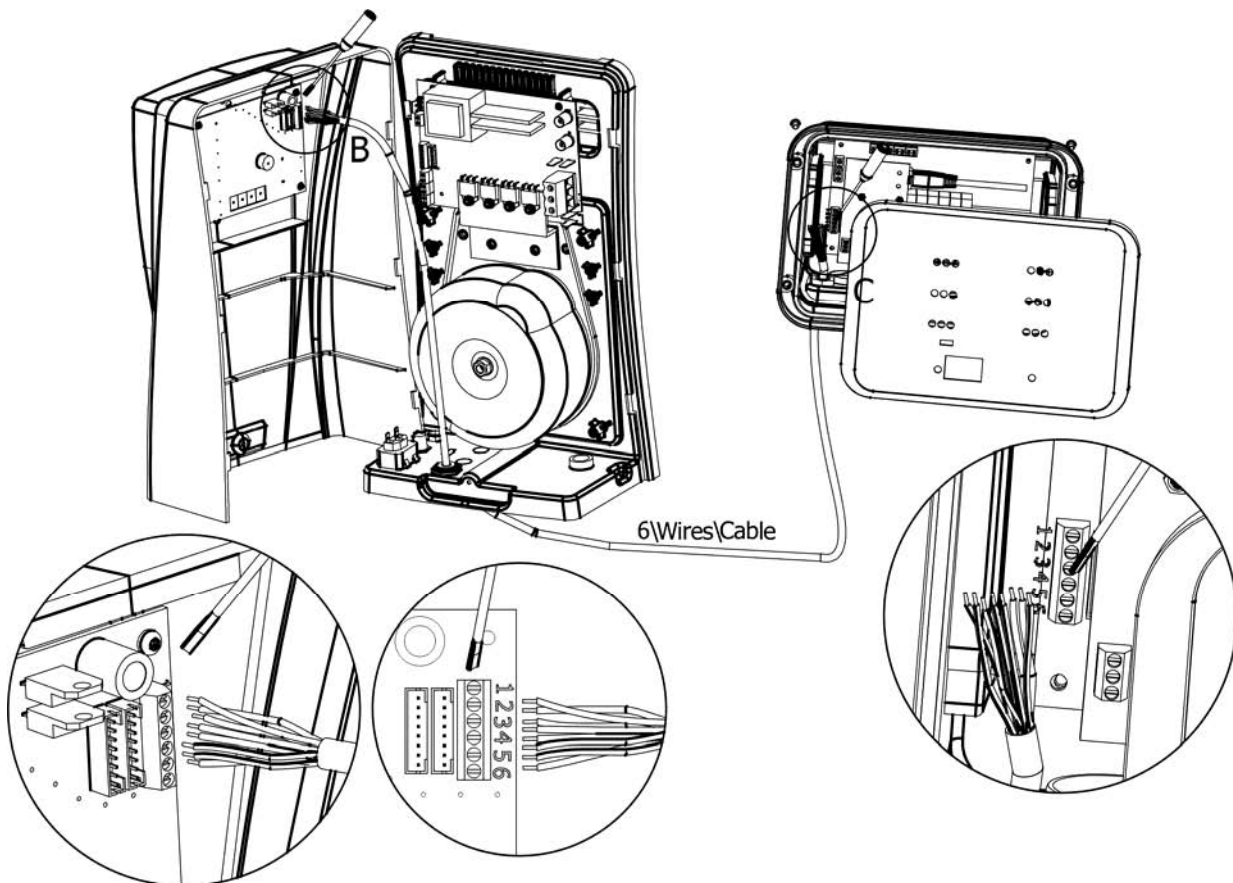
OPZIONE A: del cavo originale IDEGIS rif. DOM-020-XX (XX indica la lunghezza in metri del cavo).

OPZIONE B: installazione per mezzo di un cavo di segnale standard di 6 conduttori con una sezione minima di 0,22 mm² ognuno.

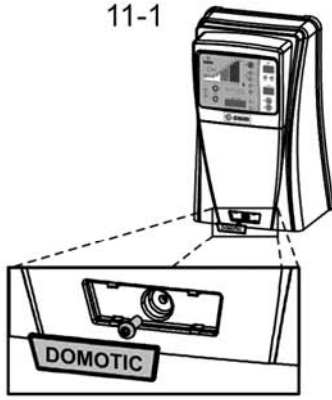
Nei due casi la lunghezza massima permessa è di 40 metri. Tuttavia, l'utilizzazione di cavo UTP di doppino intrecciato, (Categoria 5e non schermato), permette l'interconnessione a distanze di fino a 60 metri.

4. A tale scopo, passare il nuovo cavo di comunicazione (A) attraverso il passacavi situato nella base del terminale e connetterlo in qualsiasi dei due connettori della carta d'indicazioni (CN1A, CN2A) [**OPZIONE A**], o nel connettore CN-5 [**OPZIONE B**]. Unire il frontale di visualizzazione e la base del terminale mediante le quattro viti forniti.
5. Passare l'estremo libero del cavo di comunicazione per l'orifizio AUX 2 della base dell'alimentatore (Fig. 11-7, 11-8) e connetterlo nel connettore CN10A/CN11A [**OPZIONE A**] o nel connettore CN-20 [**OPZIONE B**] della carta de potenza (Fig. 11-9). Rimettere il coperchio dell'alimentatore (Fig. 11-7).
6. Fissare il supporto de parete (vedere sezione 8) nel punto di installazione scelto ed appendere il terminale allo stesso.

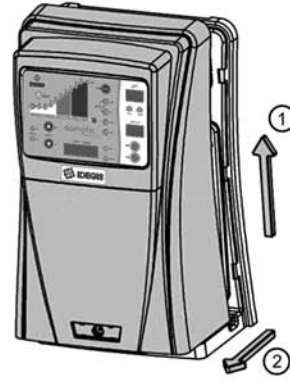
4.7 Collegare PoolSaton



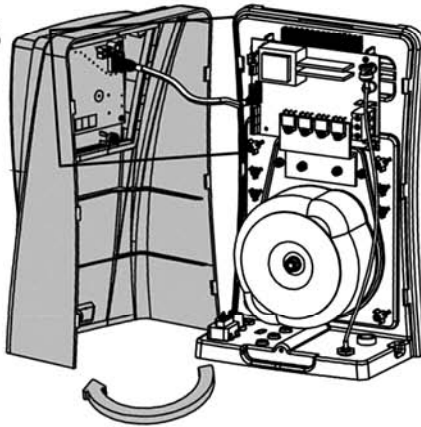
11-1



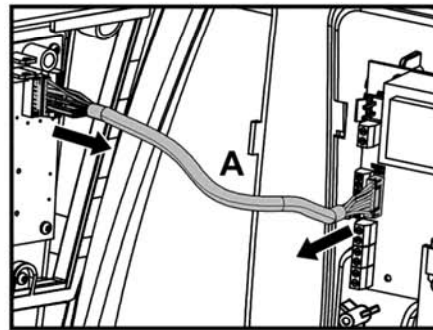
11-2



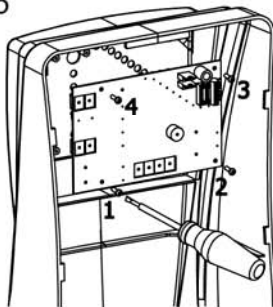
11-3



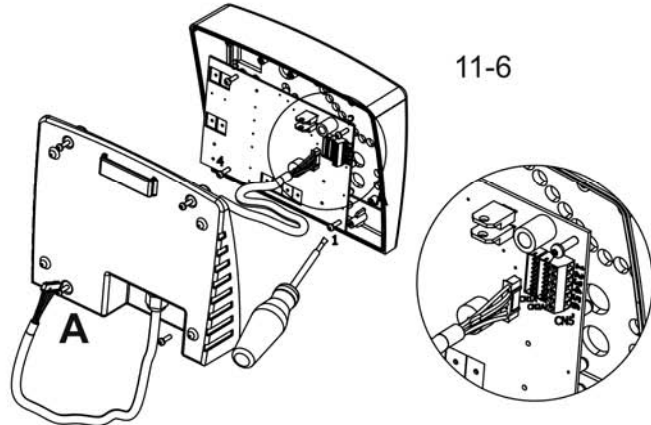
11-4



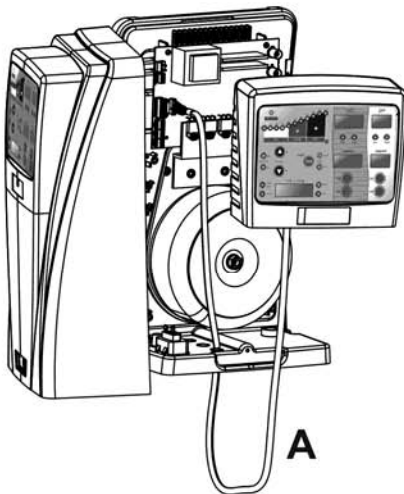
11-5



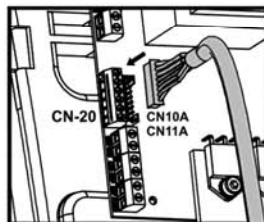
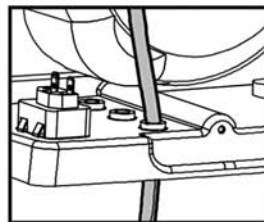
11-6



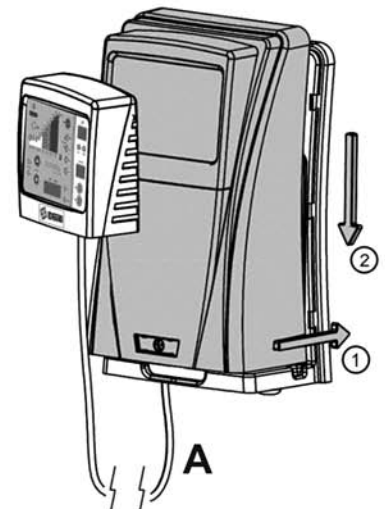
11-7



11-8



11-9



4.7. Controlli ed indicatori

I sistemi per l'Elettrolisi del Sale DOMOTIC Series sono dotati d'un pannello di controllo situato sulla parte frontale (Figs. 15,16, 16b).

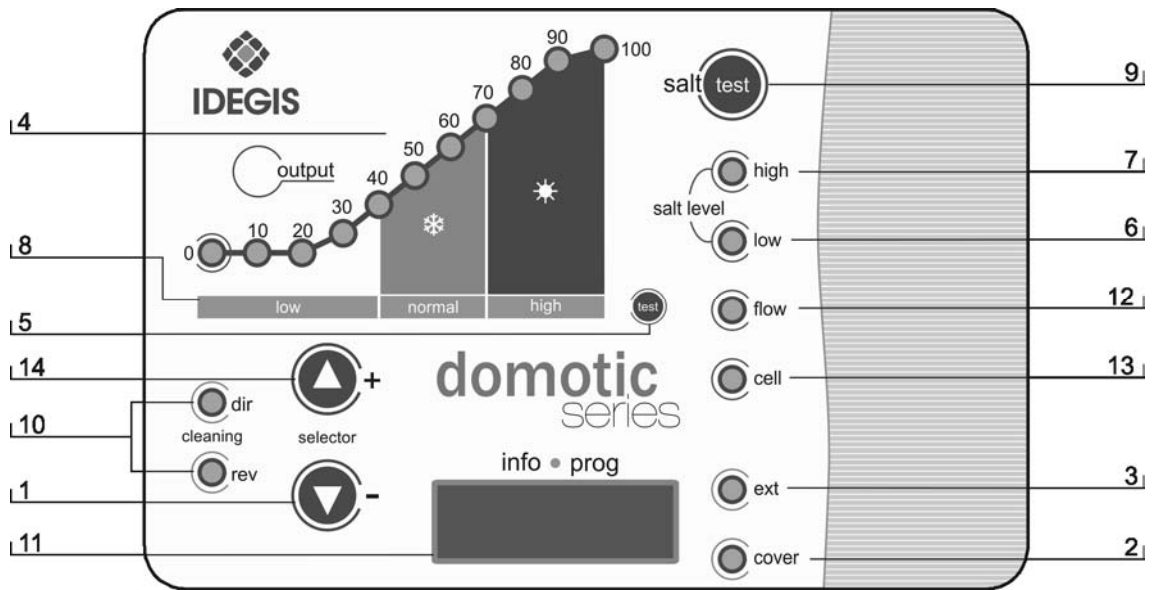


Fig. 15. Pannello di controllo dei modelli DOM-XX

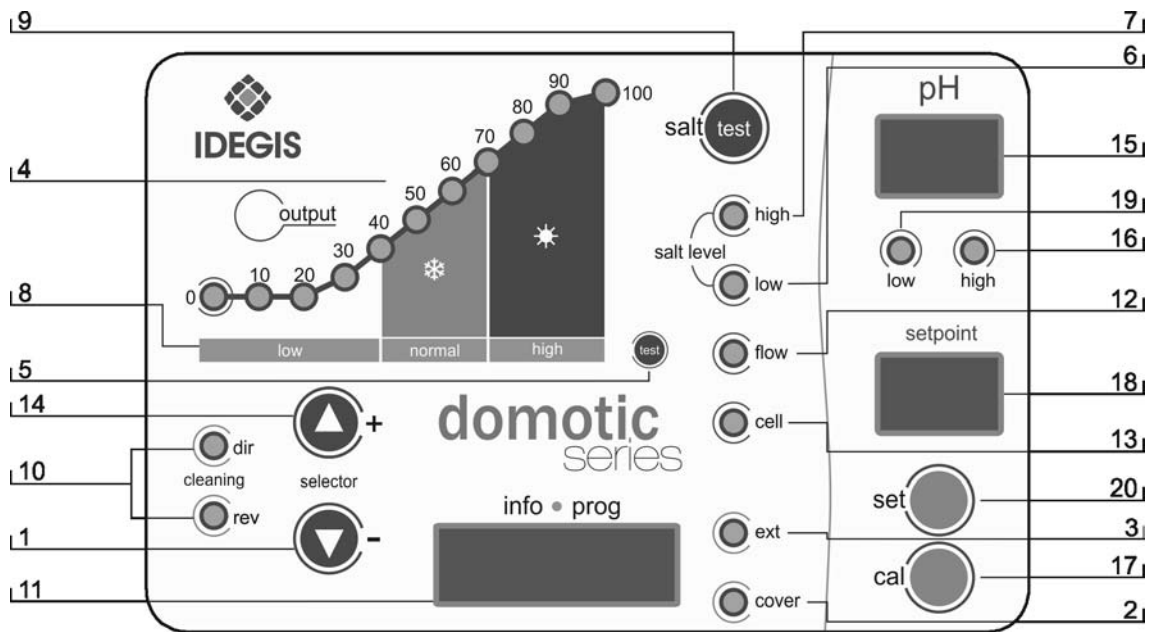


Fig. 16. Pannello di controllo dei modelli DOM-XX PH

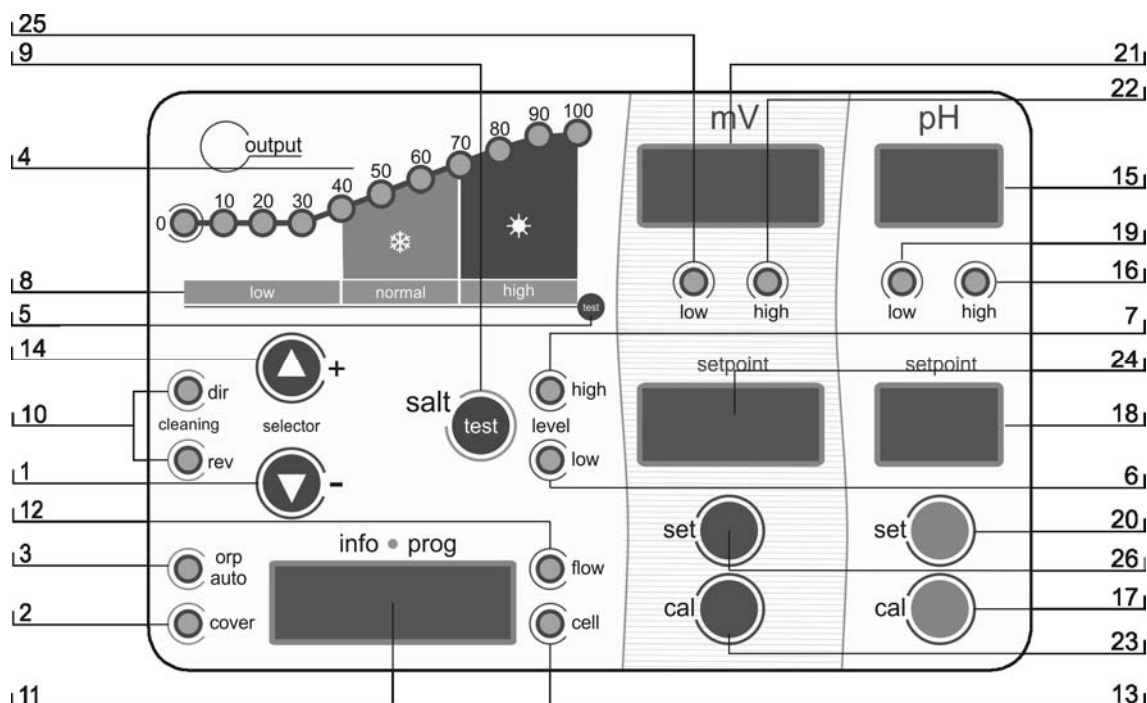


Fig. 16b. Pannello di controllo dei modelli DOM-XX PLUS

- | | |
|--|--|
| <ol style="list-style-type: none"> 1. Tasto "▼" (diminuire produzione / navigazione menu programmazione) 2. Indicatore di controllo COPERTURA AUTOMATICA attivato 3. Indicatore di controllo ORP attivato 4. Scala produzione (%) 5. Scala TEST SALINITÀ 6. Indicatore di SALINITÀ BASSA 7. Indicatore di SALINITÀ ALTA 8. Scala SALINITÀ (qualitativa) 9. Tasto per "TEST SALINITÀ" 10. Indicatore AUTO-PULIZIA polarità (DIRETTA/INVERSA) 11. Schermo di INFORMAZIONE del SISTEMA 12. Indicatore d'ALLARME di FLUSSO 13. Indicatore d'ALLARME di PASSIVITÀ DELL'ELETTRODO | <ol style="list-style-type: none"> 14. Tasto "▲" (aumentare produzione / navigazione menu programmazione) 15. Schermo d'indicazione del pH dell'acqua. 16. Indicatore d'ALLARME di PH ALTO (> 8.5) 17. Tasto per MODO CALIBRAZIONE pH. 18. Indicatore del valore di pH programmato. 19. Indicatore d'ALLARME di PH BASSO (< 6.5) 20. Tasto per programmare il valore di pH. 21. Schermo d'indicazione del ORP dell'acqua. 22. Indicatore d'ALLARME di ORP ALTO (> 850 mV) 23. Tasto per MODO CALIBRAZIONE ORP. 24. Indicatore del valore di ORP programmato. 25. Indicatore d'ALLARME di ORP BASSO (< 600 mV) 26. Tasto per programmare il valore di ORP. |
|--|--|

Oltre alle operazioni base, il Sistema per l'Elettrolisi del Sale DOMOTIC Series dispone di tre entrate per contatti liberi da tensione, i quali consentono il collegamento di controlli esterni aggiuntivi. Tali entrate si trovano nel connettore [CN7] della carta di potenza (Fig. 17).

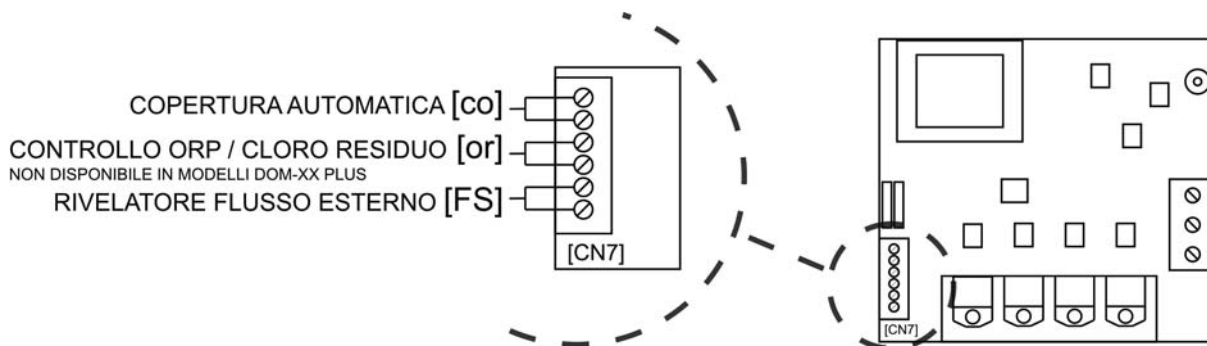


Fig. 17

È possibile programmare la logica associata a queste tre entrate durante il processo di configurazione del sistema (vedere Sezione 5.2)

- **[FS] CONTROLLO RIVELATORE FLUSSO ESTERNO OPZIONALE** (non incluso con attrezzatura): entrata per contatto libero di tensione. Quando il contatto collegato a questa entrata è aperto (rivelatore di flusso in riposo), e la entrata [FS] è configurata come **[FS1c]**, il sistema di elettrolisi viene scollegato dall'allarme di flusso. Collegare i cavi del rivelatore di flusso esterno all'entrata corrispondente **[FS]** situata nella carta di potenza dell'unità.

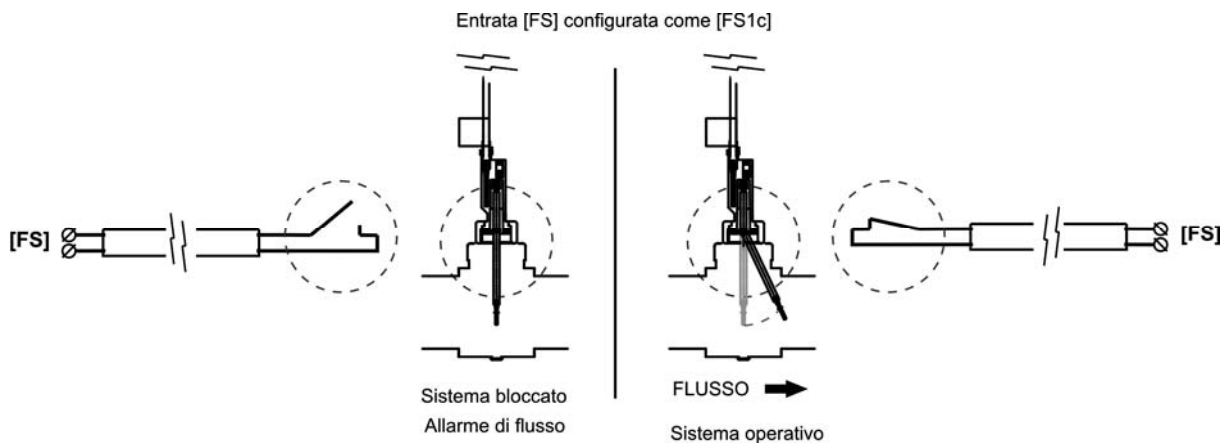


Fig. 18

- **[co] CONTROLLO COPERTURA AUTOMATICA**: entrata per contatto libero di tensione. Questa entrata consente, a seconda dello stato del contatto collegato alla stessa, e posizionato nel quadro elettrico della copertura automatica, di impostare una riduzione della corrente di uscita del sistema su una percentuale del suo valore nominale.

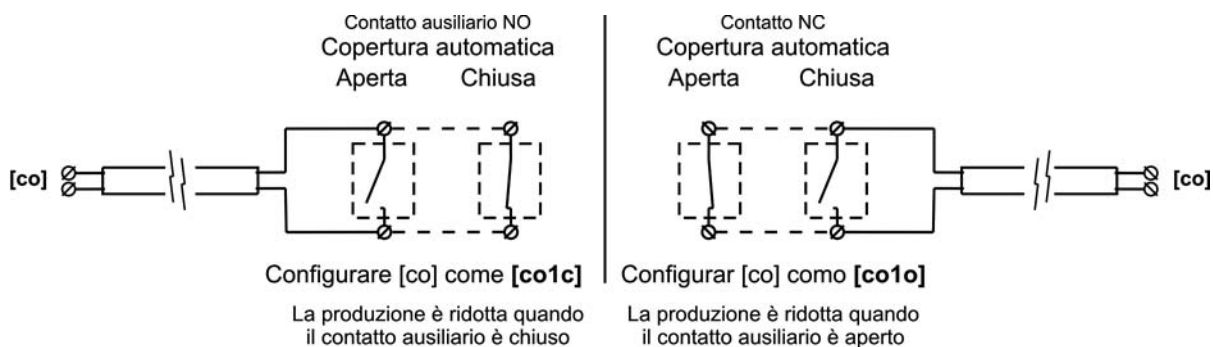


Fig. 19

- **[OR] Controllo ORP / CLORO RESIDUO (non disponibile in modelli DOMOTIC-XX PLUS):** entrata ausiliare aggiuntiva per contatto libero da tensione. Questa entrata può essere utilizzata per far interagire il sistema di elettrolisi con un controllo esterno (ORP, CLORO RESIDUO, FOTOMETRO, ecc.). Basterà collegare due fili dal contatto libero di tensione situato nel dispositivo di controllo esterno, a l'entrata corrispondente **[or]** situata nella carta di potenza di l'unità.

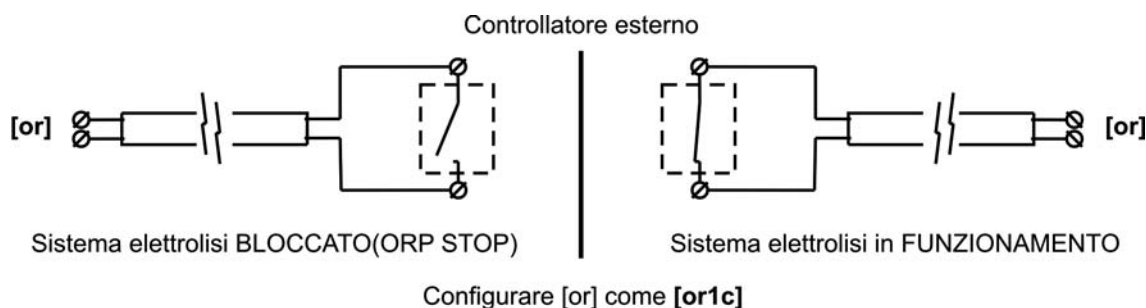


Fig. 20

4.8. Avviamento

1. Assicurarsi che il filtro sia perfettamente pulito, e che la piscina e l'impianto non contengano rame, ferro ed alghe, nonché che tutti gli impianti di riscaldamento installati siano compatibili con la presenza di sale nell'acqua.

2. Equilibrare l'acqua della piscina. Questo ci permetterà di ottenere un trattamento più efficace con una minore concentrazione di cloro libero nell'acqua, nonché una vita utile più lunga degli sensori insieme ad una minore formazione di depositi calcarei nella piscina.

a) Il pH deve essere di 7.2-7.6

b) L'alcalinità totale deve essere di 60-120 ppm.

3. Nonostante il sistema DOMOTIC Series possa lavorare con un valore di salinità di 4 - 6 g/l, è preferibile cercare di mantenere il livello minimo di sale raccomandato di 5 g/l aggiungendo 5 kg per ogni m³ d'acqua, sempreché l'acqua non contenga già sale per propria natura. Non aggiungere il sale attraverso la cellula. Aggiungere direttamente nella piscina o nel serbatoio di compensazione (lontano dal canale di sfioro della piscina).

4. Quando si aggiunge il sale, e nel caso in cui la piscina sia utilizzata immediatamente, realizzare un trattamento con cloro. Come dose iniziale, si possono aggiungere 2 g/m³ di acido tricloroisocianurico.

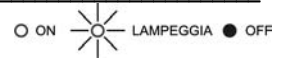
5. Prima di iniziare il ciclo di lavoro, spegnere l'alimentatore ed accendere la pompa del depuratore per 24 ore, allo scopo di assicurare la completa dissoluzione del sale.

6. Dopo di che avviare il sistema per l'ELETTROLISI del SALE, impostando il livello di produzione dello stesso, in modo che si mantenga il livello di cloro libero dentro i livelli raccomandati (0.5 - 1.5 ppm).

NOTE: per potere stabilire il livello di cloro libero si dovrà usare un kit di analisi.

7. In piscine molto assolate o fortemente utilizzate, è consigliabile mantenere un livello di 25-30 g/m³ di stabilizzante (acido isocianurico). In nessun caso, si dovrà superare il livello di 75 g/m³. Questo sarà di grande aiuto per evitare la distruzione del cloro libero presente nell'acqua dovuta all'azione della luce solare.

5. FUNZIONAMENTO:



5.1. Sistema bloccato

Il sistema entra nella modalità "IN ATTESA" premendo il tasto "▼" [1] fino a che l'indicatore "0%" comincia a lampeggiare continuamente. In questa situazione non vi è produzione nella cellula d'elettrolisi.

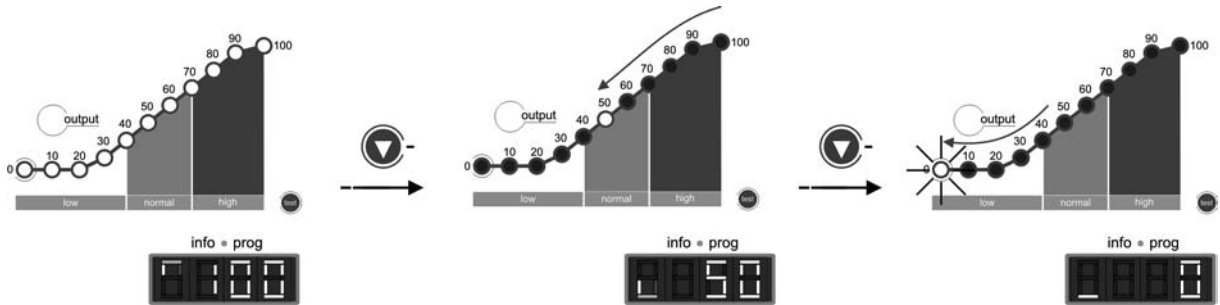


Fig. 21

5.2. Configurazione del sistema

Il sistema DOMOTIC Series può essere riconfigurato attraverso un menù accessibile dal pannello di controllo. Per accedere a questo menù arrestare previamente il sistema, come descritto alla sezione 5.1. Una volta arrestato il sistema, mantenere premuto per alcuni secondi il tasto "▼" [1] fino a quando lo schermo d'informazione del sistema [11] indicherà la parola "CONF". Per abilitare la selezione di ciascuna delle opzioni di ogni menù, mantenere premuto per 1 secondo circa il tasto "SALT TEST" [9]. Una volta selezionato il parametro desiderato per mezzo dei tasti "▼" [1] / "▲" [14], confermare mantenendo nuovamente premuto per 1 secondo il tasto "SALT TEST" [9] (vedere Fig. 23). Il processo di configurazione consente di stabilire i seguenti parametri operativi del sistema:

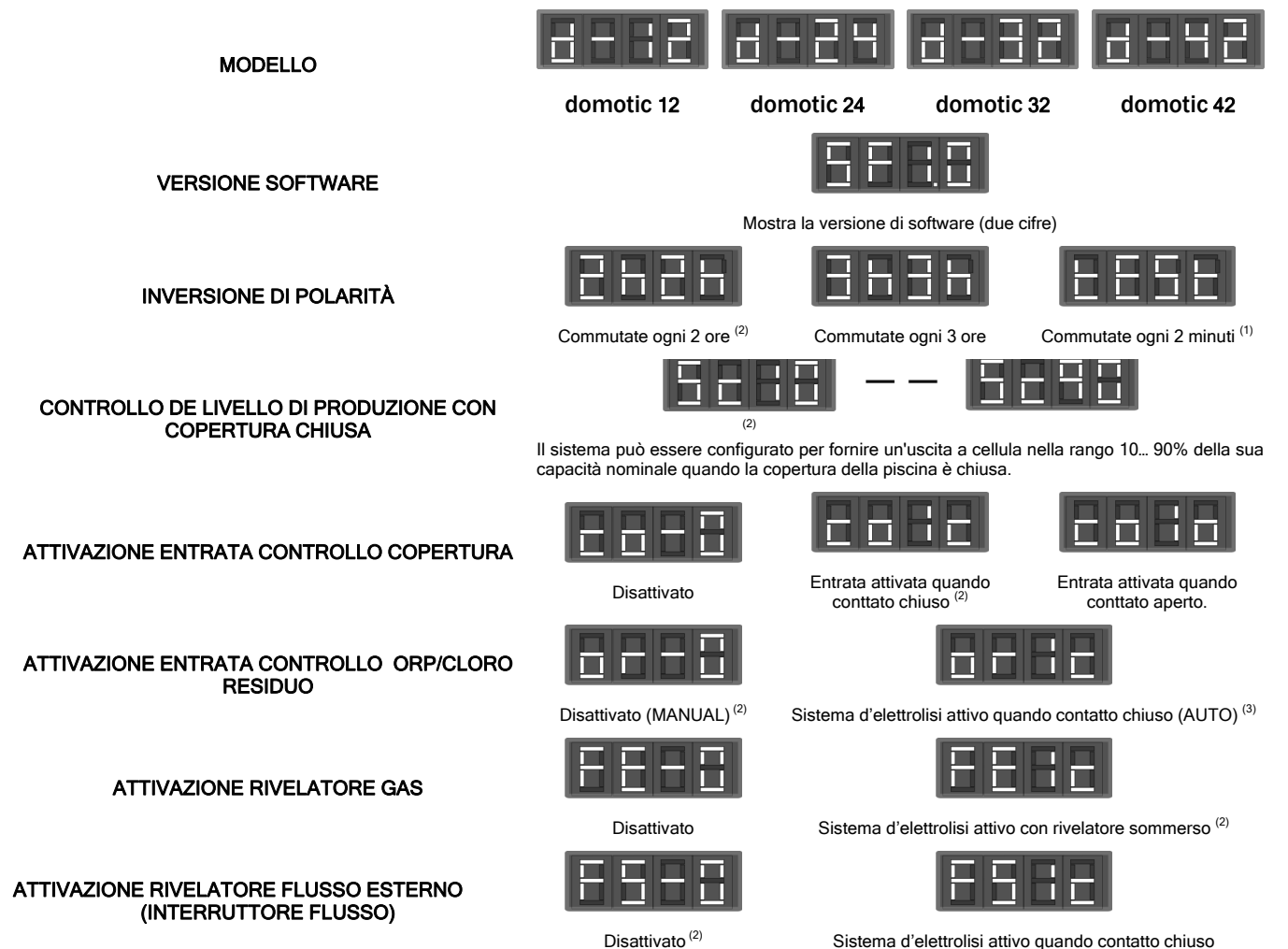


Fig. 22

(1) **ATTENZIONE:** utilizzare questa modalità esclusivamente per lavori di controllo e durante brevi periodi di tempo, in quanto potrebbe danneggiare gli sensori.
 L' apparecchio esce dal modo prova dopo s' avere spento il sistema.
 (2) Valori per difetto di fabbrica.
 (3) Valore per difetto in modelli DOM-XX PLUS.

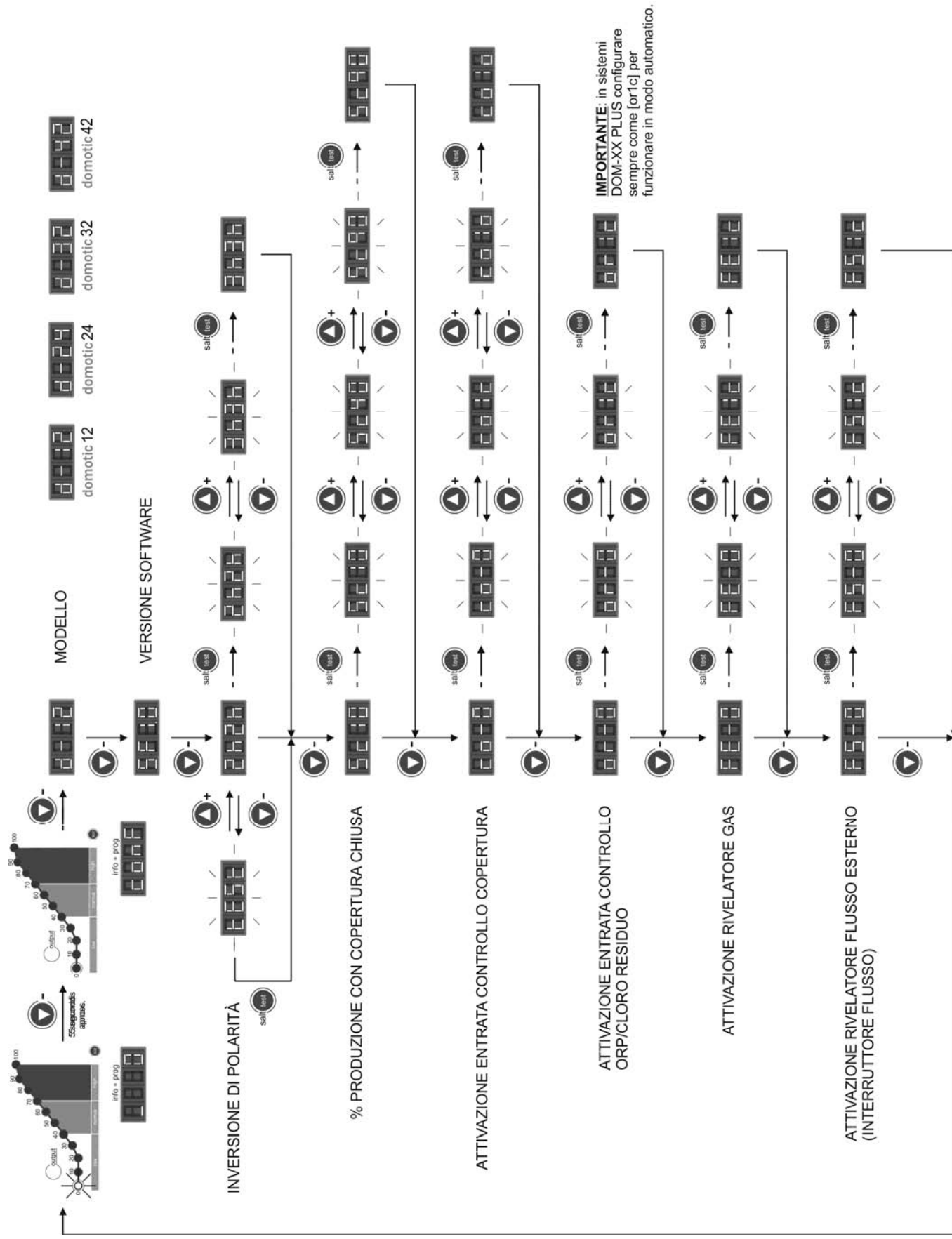


Fig. 23 Diagramma di flusso di programmazione del sistema.

5.3. Selezione del livello di produzione

Per selezionare il livello di produzione desiderato, premere di seguito i tasti “▼” [1] / “▲” [14] fino a quando l'indicatore corrispondente al livello di produzione desiderato che lampeggerà costantemente. Lo schermo d'informazione del sistema [11] segnerà il valore corrispondente all'indicatore della scala di produzione [4]. Trascorsi alcuni secondi, il sistema imposterà la produzione sul livello selezionato.

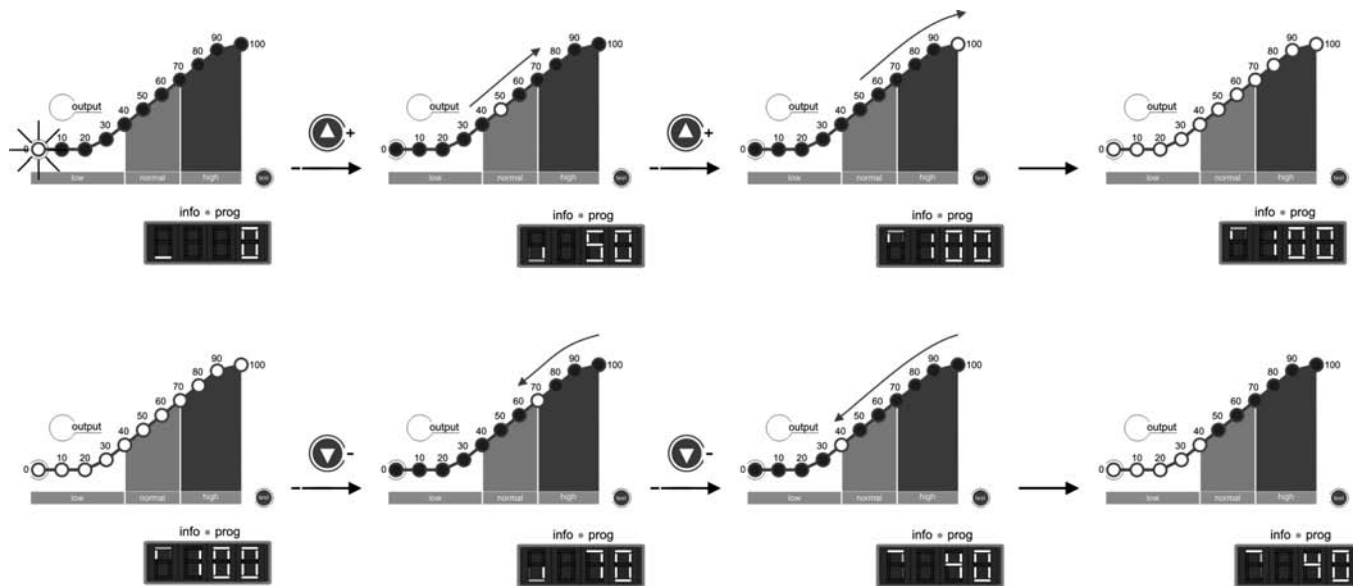


Fig. 24

In condizioni normali il valore di produzione [4] dovrà corrispondere a quello programmato. Ciononostante, nel caso in cui il livello di salinità dell'acqua fosse fuori rango (allarme di “HIGH SALT” [7] o “LOW SALT” [6] attivati), o si verificasse un problema nella cellula d'elettrolisi (allarme “CELL” [13] attivato), il valore di produzione raggiunto [4] potrebbe essere inferiore rispetto a quello programmato ed indicato sullo schermo [11].



Modo INVERNO: per periodi di temperatura bassa in l'acqua scegliere un livello di produzione (1) compreso tra i 50-60%.

5.4. Test di salinità

I sistemi DOMOTIC Series sono dotati d'un sistema integrato per rilevare il livello di salinità dell'acqua della piscina. Per effettuare tale test, premere il tasto “SALT TEST” [9]. Durante l'esecuzione del test l'indicatore della produzione oscillerà all'interno del rango 20%-80% della scala di salinità [5], indicando alternativamente il testo “SALT” e “TEST” sullo schermo d'informazione del sistema [11]. Una volta terminato il test, l'indicatore lampeggerà per qualche secondo nella scala [5], sul valore di salinità rilevato (vedere Fig. 25). Dopo alcuni secondi il sistema tornerà alla modalità di funzionamento normale.

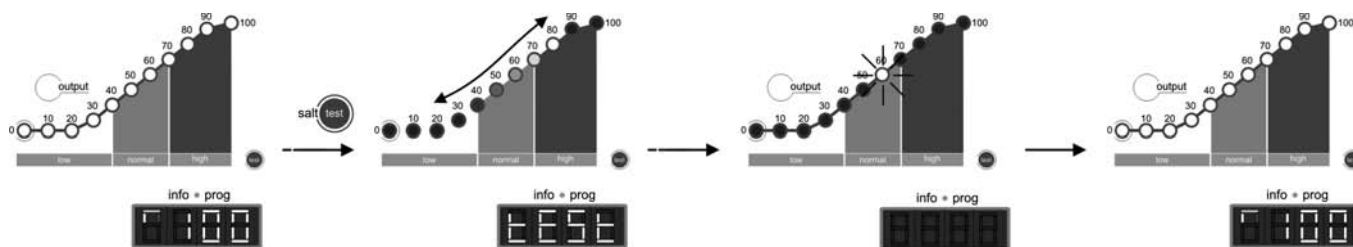


Fig. 25

È possibile che il sistema indichi livelli di sale inferiori a quelli reali in caso di temperatura inferiore a 20°C.

5.5. Controllatore di pH / ORP integrato (modelli DOM-XX PH e DOM-XX PLUS)

Il controllatore di pH/ORP integrato esce dalla fabbrica calibrato e con i seguenti parametri di programmazione.

Valore programmato **pH="7.2" / ORP="700 mV"**

IMPORTANTE: per ottenere una corretta regolazione del pH, assicurarsi che l'alcalinità dell'acqua sia nel rango ottimale raccomandato di 60-120 ppm di CaCO₃. Utilizzare un kit per controllare il livello di Alcalinità Totale dell'acqua e, se è necessario, regolarla manualmente.

5.5.1. COLLEGAMENTO DELLE SONDE DI PH/ORP

Collegare le sonde di pH /ORP forniti ai connettori BNC corrispondenti situati alla base dell'unità (Fig. 26).

5.5.2. COLLEGAMENTO DELLA POMPA DOSATRICE

I sistemi DOMOTIC Series (modelli DOM-XXPH e DOM-XX PLUS) sono dotati d'un connettore sulla loro base per il collegamento d'una pompa dosatrice per il controllo del pH dell'acqua della piscina. La pompa dosatrice può essere collegata mediante un connettore CEE22 fornito in dotazione con il sistema (Fig. 26).

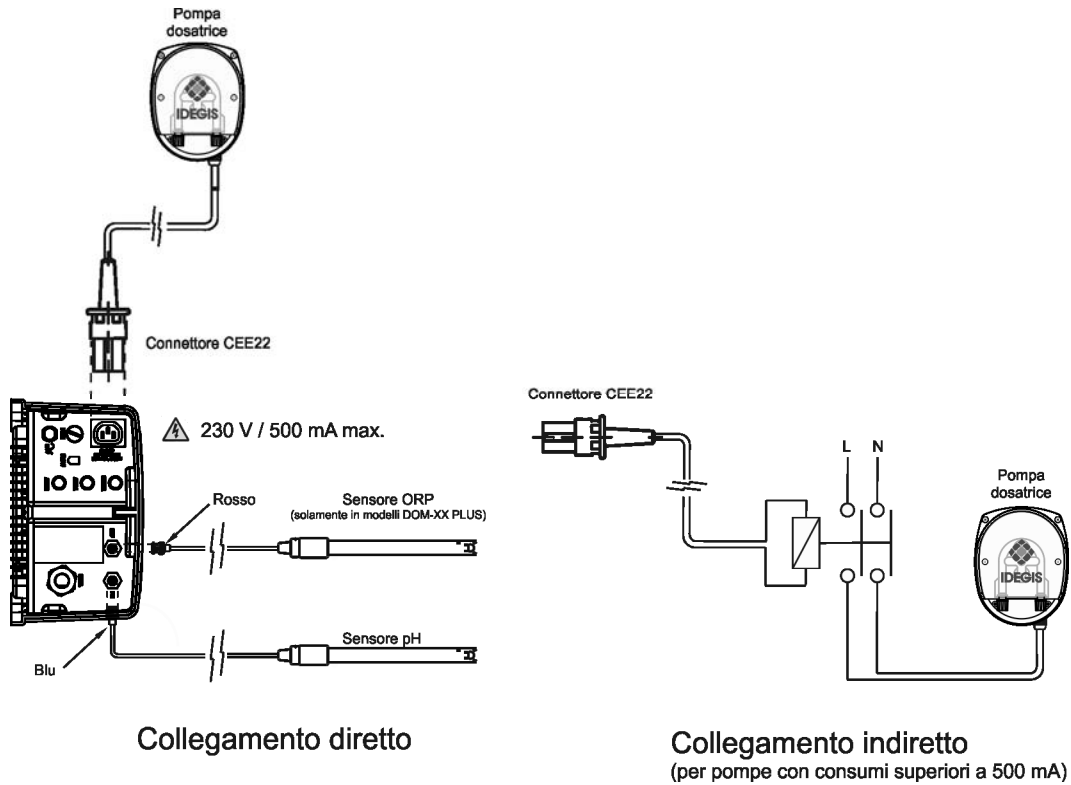


Fig. 26

5.5.3. PROGRAMMAZIONE DEL VALORE DI PH

Mantenere premuto il tasto "SET" [20] fino a quando l'indicatore [18] segni il valore di pH desiderato all'interno del rango 7.0 - 7.8 e lasciare una volta selezionato.

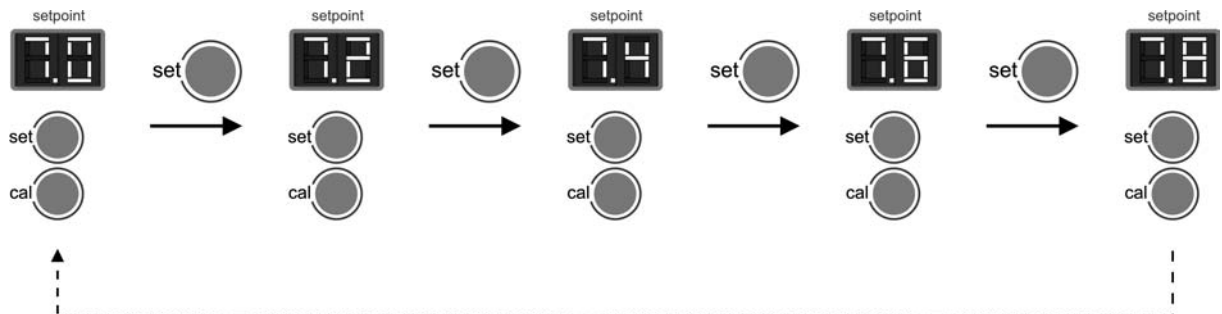


Fig. 27

5.5.4. PROGRAMMAZIONE DEL VALORE DI ORP (soltanto in modelli DOM-XX PLUS)

Mantenere premuto il tasto "SET" [26] fino a quando l'indicatore [24] segni il valore di pH desiderato all'interno del range 600 - 850 mV e lasciare una volta selezionato.

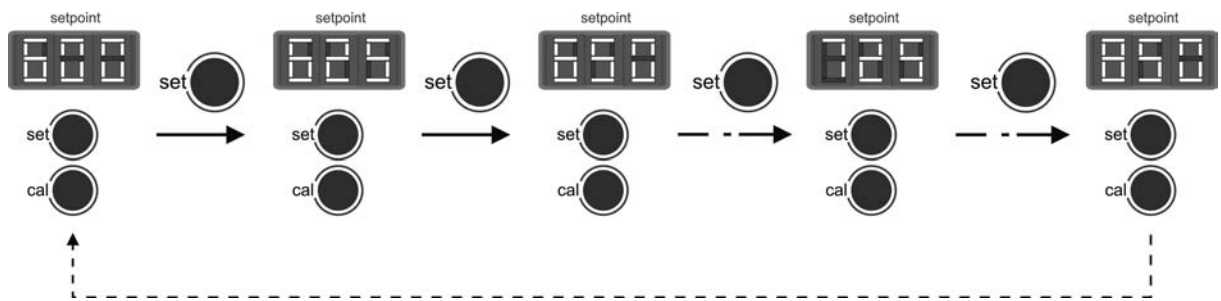


Fig. 27b

5.5.5. CONFIGURAZIONE DELL'ARRESTO DI SICUREZZA DELLA POMPA DI DOSAGGIO (FUNZIONE PUMP-STOP)

Il regolatore di pH integrato ha un sistema integrato di sicurezza (FUNZIONE PUMP-STOP) che agiscono sulla pompa dosatrice che permette di evitare i seguenti situazioni:

- Danni alla pompa causati dal suo funzionamento a secco (prodotto pH-minus esaurito).
- Sovra-dosaggio di prodotto minoratore di pH (sensore danneggiato o al termine della vita utile).
- Problemi de regolazione di pH a causa della elevata alcalinità dell'acqua (piscina recentemente riempita, elevati livelli di carbonato).

Quando la funzione PUMP-STOP è abilitata (configurazione in fabbrica), il sistema interrompe la pompa dosatrice trancorso il tempo programmato senza aver raggiunto il setpoint di pH.

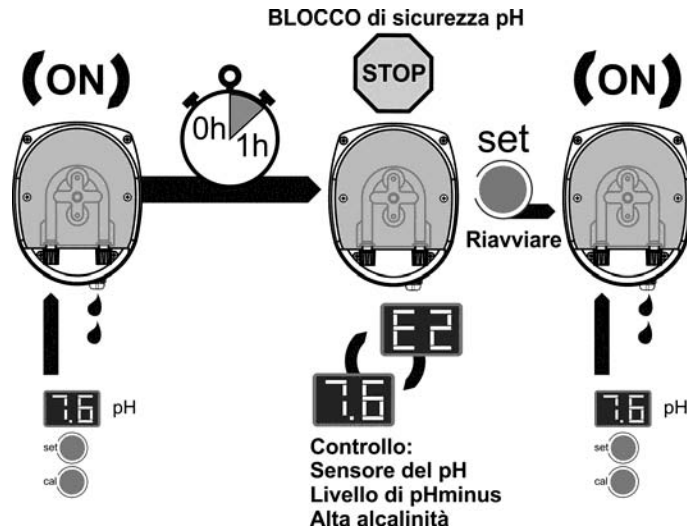


Fig. 27c

La FUNZIONE PUMP-STOP è configurata in fabbrica a 60 minuti. Per modificare questa configurazione, procedere come segue:

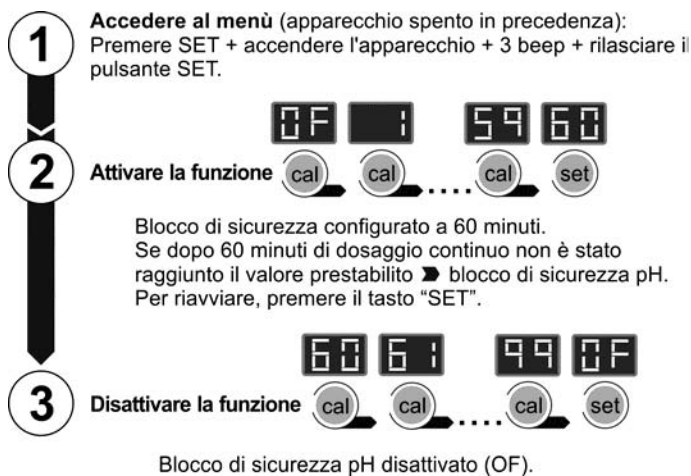


Fig. 27d

5.6. **Allarmi**

• **LIVELLO DI SALE ALTO**

Qualora sia stato aggiunto del sale in eccesso, la fonte di alimentazione ridurrà automaticamente il livello di produzione rispetto a quello selezionato. L'indicatore " **HIGH SALT** "[7] rimarrà illuminato. In questo caso svuotare una parte della piscina (per esempio il 10% circa) ed aggiungere dell'acqua fredda per diminuire la concentrazione salina. Per conoscere il livello di sale in modo preciso vi raccomandiamo l'utilizzo d'un misuratore portatile di salinità-temperatura.

• **LIVELLO DI SALE BASSO**

Qualora il livello del sale nell'acqua della piscina sia inferiore a quanto raccomandato, la fonte di alimentazione non potrà raggiungere il livello d'uscita selezionato. L'indicatore " **LOW SALT** "[6] rimarrà illuminato. In questo caso, determinare il livello salino dell'acqua ed aggiungere la quantità di sale necessario. Il tipo di sale comune (NaCl) indicato per l'elettrolisi salina non deve presentare additivi (antinfeltrenti, ioduri) e deve essere idoneo al consumo umano. È possibile che il sistema indichi un livello di sale basso in caso di temperatura inferiore a 20°C. Per conoscere il livello di sale in modo preciso vi raccomandiamo l'utilizzo d'un misuratore portatile di salinità-temperatura.

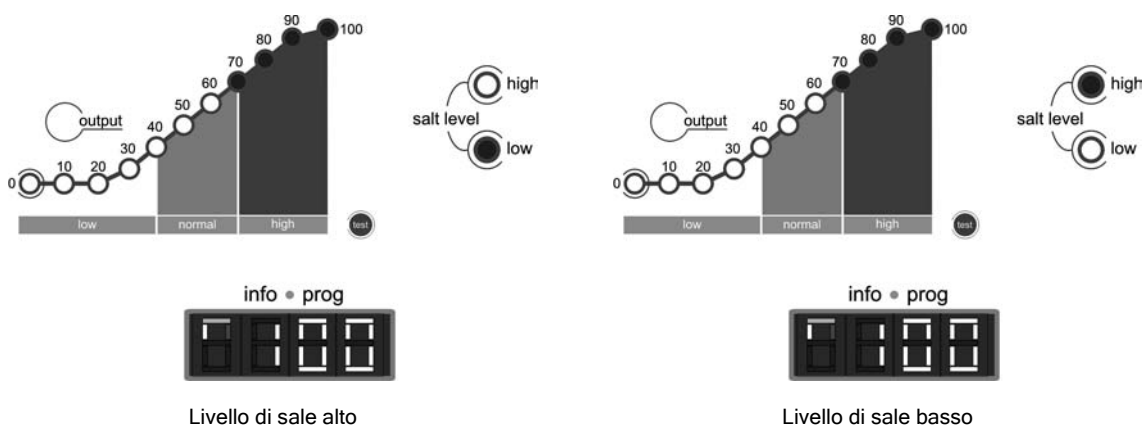
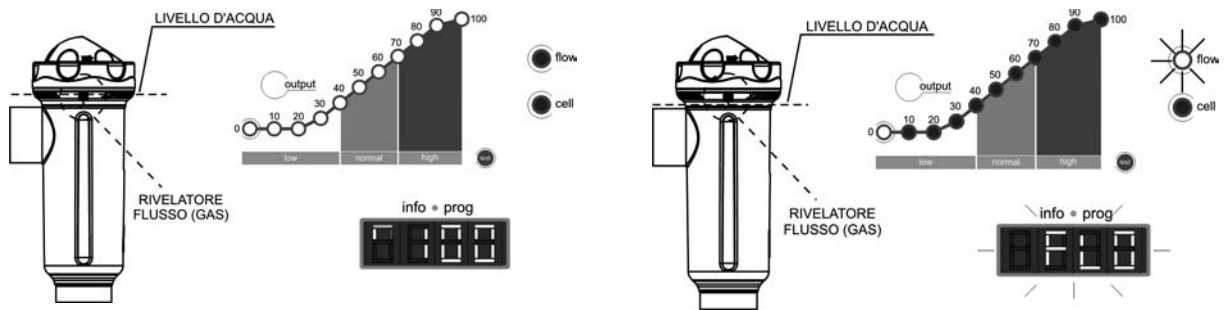


Fig. 28

- **LIVELLO D'ACQUA IN CELLULA/RIVELATORE FLUSSO (GAS)**

Qualora si formi un bolla d'aria o di gas nella parte superiore della cellula d'elettrolisi ed il RIVELATORE DI FLUSSO non sia sommerso, il sistema bloccherà automaticamente la produzione, l'indicatore " **FLOW** " [12] lampeggerà e sullo schermo d'informazione del sistema [11] verrà visualizzato il messaggio " **FLO** ". Il sistema verrà riavviato automaticamente non appena ristabilito il passaggio dell'acqua nella cellula o eliminata la bolla.



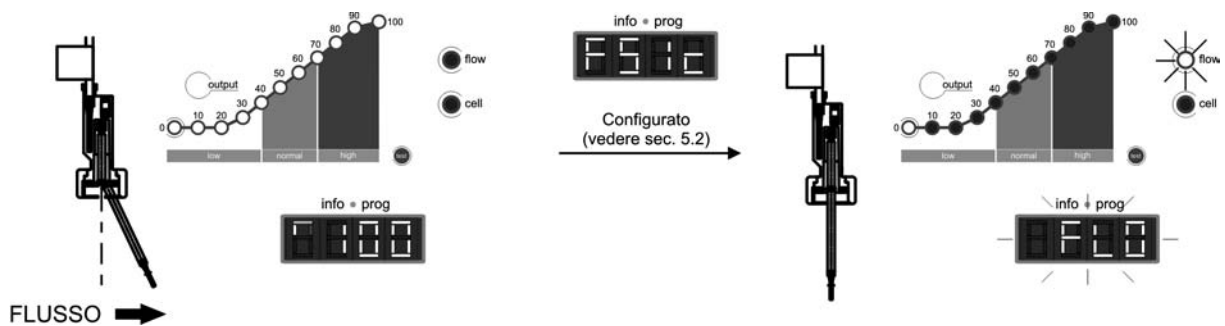
1. Rivelatore di gas sommerso. Sistema operativo.

2. Gas rivelato. Sistema bloccato.

Fig. 29

- **RIVELATORE FLUSSO ESTERNO / INTERRUPTORE FLUSSO OPZIONALE (non incluso con attrezzatura)**

Se durante la configurazione del sistema (capitolo 5.2) si attiva l'entrata per un interruttore di flusso esterno, il sistema bloccherà automaticamente la produzione, il led " **FLOW** " [12] lampeggerà e contemporaneamente apparirà il messaggio " **FLO** " sullo schermo di informazione del sistema [11]. Il sistema si riavrà automaticamente una volta ristabilito il flusso d'acqua che disattiverà il sensore di flusso.



1. Rivelatore di flusso attivato (contatto chiuso). Sistema operativo.

2. Rivelatore di flusso in riposo (contatto aperto). Sistema bloccato.

Fig. 30

- **ELETTRODI**

Il sistema DOMOTIC Series è dotato d'un indicatore del malfunzionamento degli elettrodi della cellula d'elettrolisi [13]. Il malfunzionamento è dovuto di norma al processo di passivazione degli elettrodi al raggiungimento del termine della loro vita utile. Ciononostante, e sebbene il sistema sia autopulente, un malfunzionamento potrebbe essere dovuto anche alla formazione eccessiva di incrostazioni sugli elettrodi, qualora il sistema venga utilizzato con un'acqua a durezza e pH elevati.

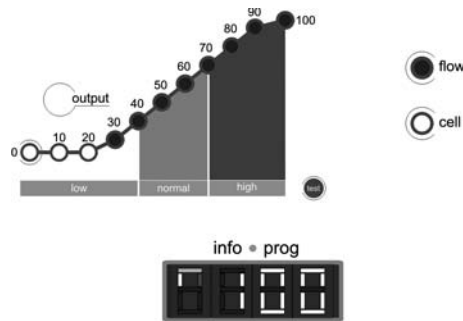


Fig. 31A

- **TEMPO DI FUNZIONAMENTO (versione de firmware 3. 3. 0 e successive)**

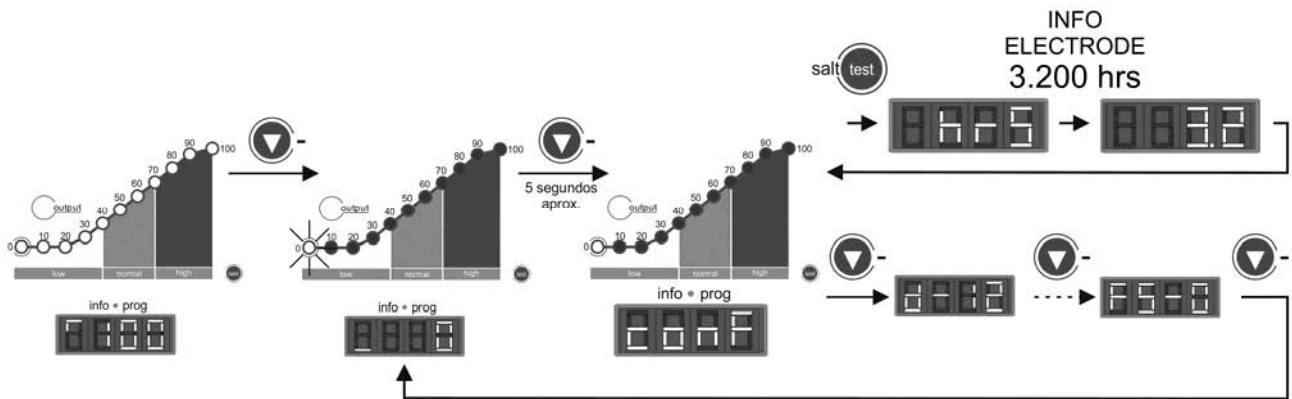


Fig. 31B

- **PH /ORP FUORI RANGO (solo in modelli DOM-XX PH e DOM-XX PLUS)**

Il regolatore di pH è dotato di due indicatori di ALLARME, che si illuminano qualora venga rilevato un valore anomalo di pH inferiore a 6.5 " **LOW** "[19] o superiore a 8.5 " **HIGH** "[16], o di ORP fuori rango 600 mV " **LOW** " [25] - 850 mV " **HIGH** " [22]. Quando il regolatore rileva un allarme di PH attivo apre l'uscita di controllo della pompa dosatrice (pH) e arresta il suo funzionamento per sicurezza.

6. MANUTENZIONE:

6.1. Manutenzione della cellula d'elettrolisi

La cellula deve essere mantenuta nelle condizioni adeguate per assicurarle una lunga vita. Evitare che si formino incrostazioni calcaree sugli stessi. Il sistema per l'ELETTROLISI del SALE dispone d'un sistema di pulizia automatica degli elettrodi, per questo non è prevista la realizzazione di nessuna pulizia aggiuntiva. Tuttavia, se fosse necessario effettuare la pulizia all'interno della cellula, procedere nel modo seguente:

1. Staccare l'alimentazione 230 Vac del sistema.
2. Svitare il dado di chiusura situato all'estremo dove si trovano gli elettrodi, ed estrarre il pacchetto degli elettrodi.
3. Utilizzare una soluzione diluita di acido cloridrico (una parte di acido cloridrico in 10 parti d'acqua), immergendovi il pacchetto degli elettrodi per 10 minuti al massimo.
4. NON RASCHIARE NÉ SPAZZOLARE LA CELLULA ELETTROLITICA.

Gli elettrodi d'un sistema per l'ELETTROLISI del SALE sono costituiti da lamine di titanio ricoperte da uno strato di ossidi di metalli nobili. I processi di elettrolisi che si producono sulla sua superficie provocano un'usura progressiva, per ciò, allo scopo di ottimizzare il tempo di durata degli stessi, si dovrebbe tenere conto dei seguenti aspetti:

1. Nonostante si tratti di sistemi per l'ELETTROLISI del SALE AUTOPULENTI, un funzionamento prolungato del sistema a valori di pH superiori a 7,6 in acque di elevata durezza, può produrre l'accumulo di depositi calcarei sulla superficie degli elettrodi. Questi depositi deterioreranno progressivamente il rivestimento, causando una diminuzione della loro vita utile.
2. Puliture/lavaggi frequenti degli elettrodi (come quelli descritti precedentemente) accorceranno la loro vita utile.
3. Il funzionamento prolungato del sistema a salinità inferiori a 3 g/l causa un deterioramento prematuro degli elettrodi.
4. L'utilizzo frequente di prodotti alghicidi con alto contenuto di rame, può provocare la deposizione dello stesso sugli elettrodi, danneggiando progressivamente il rivestimento. Ricordare che il migliore alghicida è il cloro.

6.2. Calibrazione dell'elettrodo di Ph (soltanto in modelli DOM-XX PH e DOM-XX PLUS)

Il regolatore di pH integrato dispone di due modalità di calibrazione del sensore di pH: "FAST" (veloce) e "STANDARD". Raccomandiamo di effettuarla, almeno, una volta al mese durante il periodo di utilizzo della piscina.

6.2.1. MODO "FAST"

Il modo "FAST" permette la calibrazione rutinaria del sensore di fronte a piccole deviazioni dello stesso **senza necessità di estrarre il sensore dall'impianto né di utilizzare soluzioni campione.**

PROCEDIMENTO:

1. Assicurarsi che il punto dove è inserito il sensore è immerso e che il depuratore sia in ricircolo.
2. Mediante un kit di misurazione di pH misurare il pH attuale dell'acqua della piscina.
3. Premere il tasto "CAL" [17] per 5 sec. circa fino a quando il sistema emetterà un segnale acustico e lasciare il tasto. Sullo schermo che indica il pH programmato [18], lampeggerà la scritta "7.0".
4. Mantenere premuto il tasto "SET" [20] fino a che non appare il valore di pH misurato precedentemente nell'acqua mediante il rispettivo kit. Una volta raggiunto, lasciare e premere il tasto "CAL" [17]. Se non si è rilevato nessun errore, il sistema è calibrato.

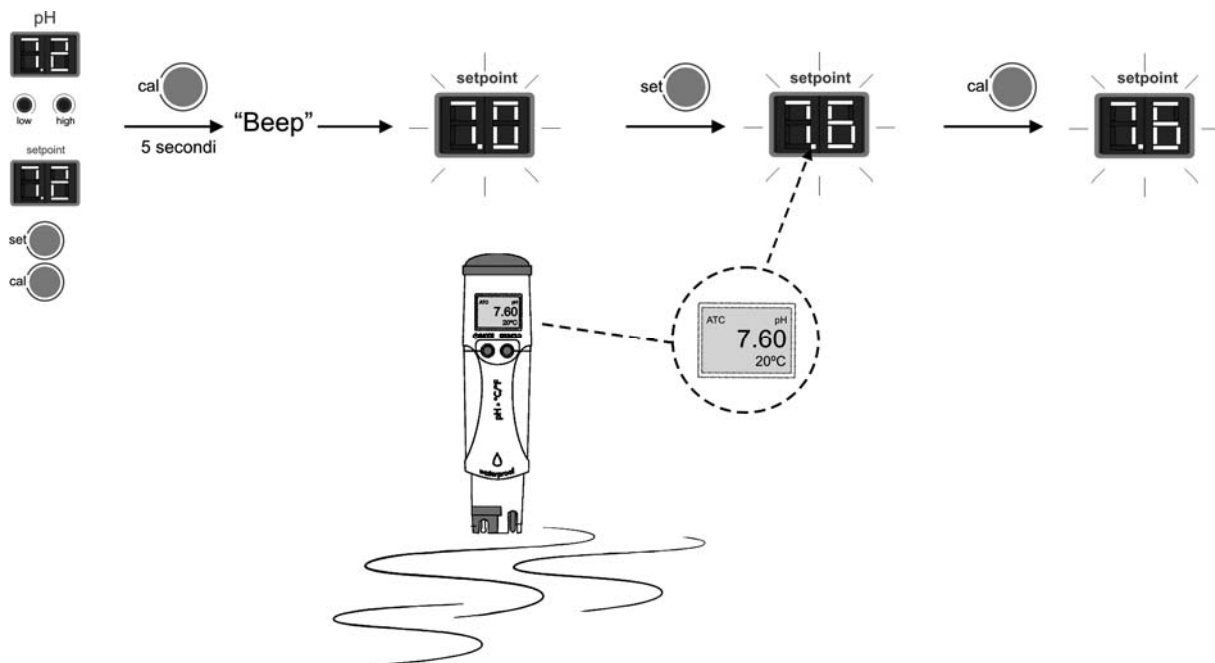


Fig. 32

6.2.2. MODO "ESTANDAR"

Il modo "ESTANDAR" permette la calibrazione precisa del sensore mediante l'impiego di due soluzioni campione di pH 7.0 e 4.0, tuttavia richiede l'estrazione del sensore dell'impianto.

PROCEDIMENTO:

IMPORTANTE: di procedere alla chiusura delle valvole del by-pass, arrestare il sistema nel pannello di controllo (vedere Sezione 5.1).

1. Estrarre il sensore dal porta-sonde e lavarlo con acqua abbondante.



Fig. 33

2. Premere il tasto "CAL" [17] approssimativamente fino a quando il sistema emetterà un segnale acustico, quindi, senza rilasciarlo, premere "SET" [20] per qualche secondo, fino a che sullo schermo che indica il pH [15] lampeggerà la scritta "7.0".
3. Agitare con cautela il sensore per eliminare le possibili gocce d'acqua che vi possono essere rimaste attaccate e introdurlo nella soluzione campione pH=7.0 (colore verde). Agitare delicatamente per alcuni secondi, quindi premere il tasto "CAL" [17]. Una volta stabilizzata la lettura, sullo schermo [15] lampeggerà l'indicazione "4.0".

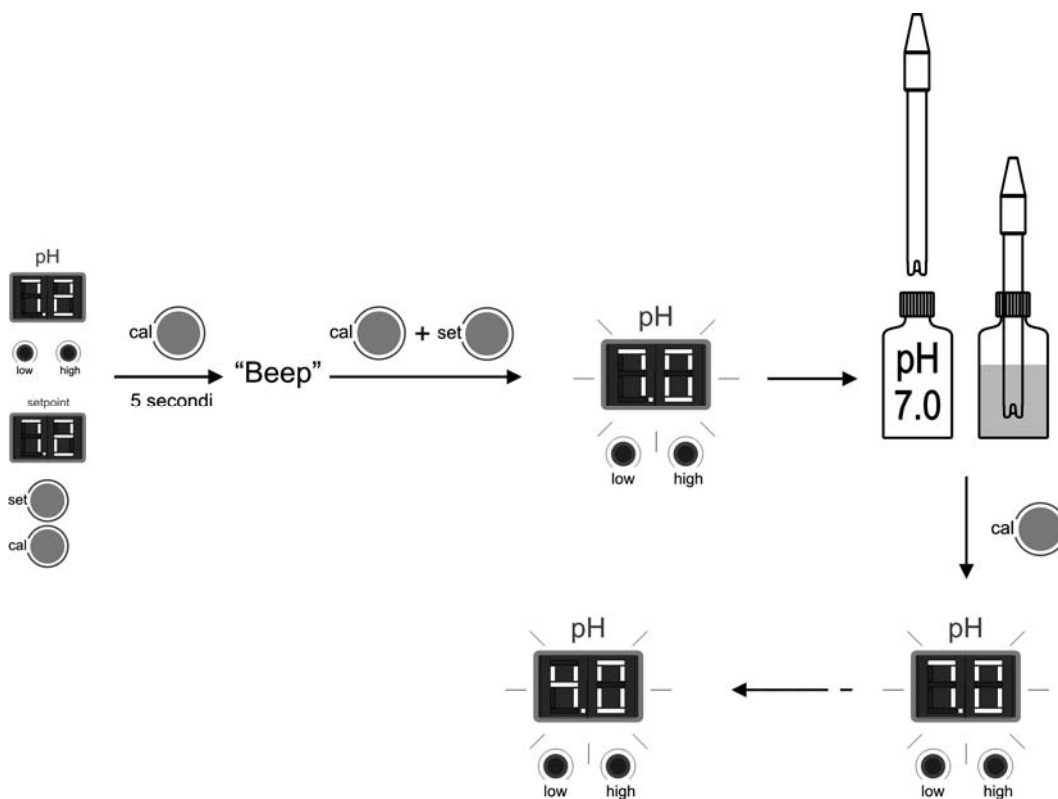


Fig. 34

4. Estrarre il sensore dalla soluzione e sciacquarlo con acqua abbondante.
5. Agitare delicatamente il sensore in modo da eliminare le possibili gocce d'acqua che vi possono essere rimaste attaccate ed immergerlo nella soluzione campione pH=4.0 (colore rosso). Agitare delicatamente per alcuni secondi e premere "CAL" [17]. Una volta stabilizzata la lettura, il regolatore uscirà automaticamente dalla modalità "calibrazione" e rimarrà in funzione.

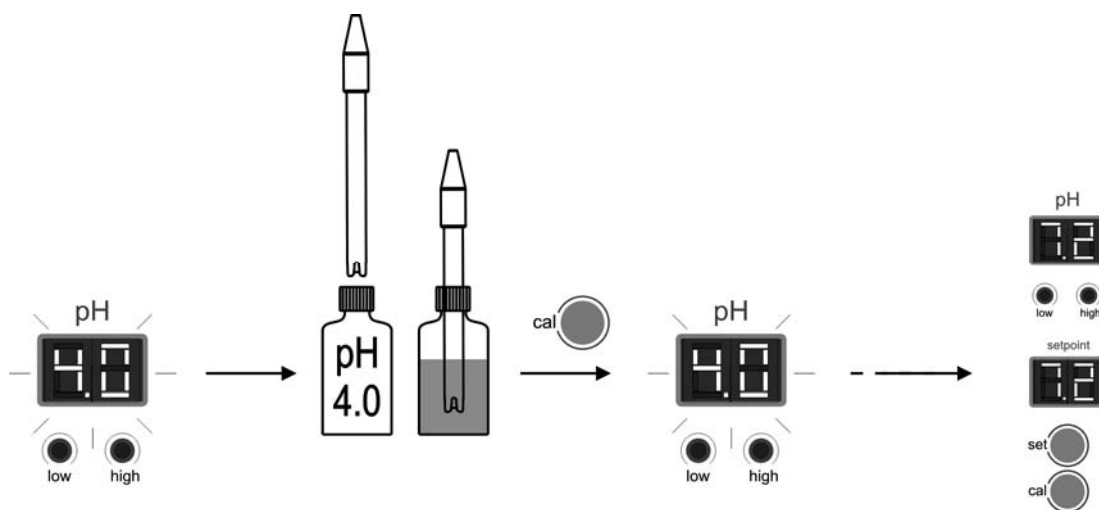
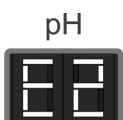


Fig. 35

MESSAGGI D'ERRORE:



Se per qualsiasi motivo il processo di calibrazione si dovesse interrompere, il regolatore uscirà automaticamente dalla modalità "calibrazione" dopo alcuni secondi, senza l'intervento dell'utente. In questo caso, apparirà per alcuni istanti l'indicazione "E1" nello schermo [15].



Se il valore di pH rilevato durante la calibrazione è molto diverso da quello sperato (p.e., sonda difettosa, etc.), il schermo [15] indicherà "E2", e non permetterà la calibrazione.



Se la misura di pH è instabile durante il processo di calibrazione, apparirà il codice "E3" nello schermo [15]. Inoltre non si potrà calibrare il sensore.

6.3. Calibrazione dell'elettrodo di ORP (soltanto in modelli DOM-XX PLUS)

La frequenza di ricalibrazione dell'impianto dovrà essere stabilita in ogni applicazione specifica. Tuttavia, raccomandiamo di effettuarla almeno una volta al mese durante il periodo di utilizzo della piscina. Il regolatore di ORP dispone d'un sistema di calibrazione automatica dei sensori ORP mediante l'impiego d'una soluzione campione di 470 mV.

PROCEDIMENTO:

IMPORTANTE: prima di procedere alla chiusura delle valvole del by-pass, arrestare il sistema nel pannello di controllo (vedere Sezione 5.1).

1. Estrarre il sensore dal porta-sonde e lavarlo con acqua abbondante.

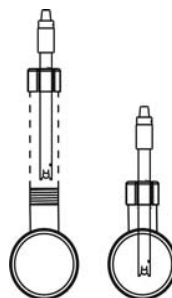


Fig. 36

2. Premere il tasto "CAL" [23] durante alcuni secondi, fino a che il schermo d'indicazione di ORP [24] lampeggia ed indica "470".
3. Agitare delicatamente il sensore in modo da eliminare le possibili gocce di acqua che vi possono essere rimaste attaccate e, dopo di che, immergerlo nella soluzione di calibrazione (470 mV). Agitare delicatamente per alcuni secondi, e premere il tasto "CAL" [23]. Se il processo di calibrazione si è concluso positivamente, si sentirà un fischio lungo e il controllore sarà calibrato e pronto per

funzionare.

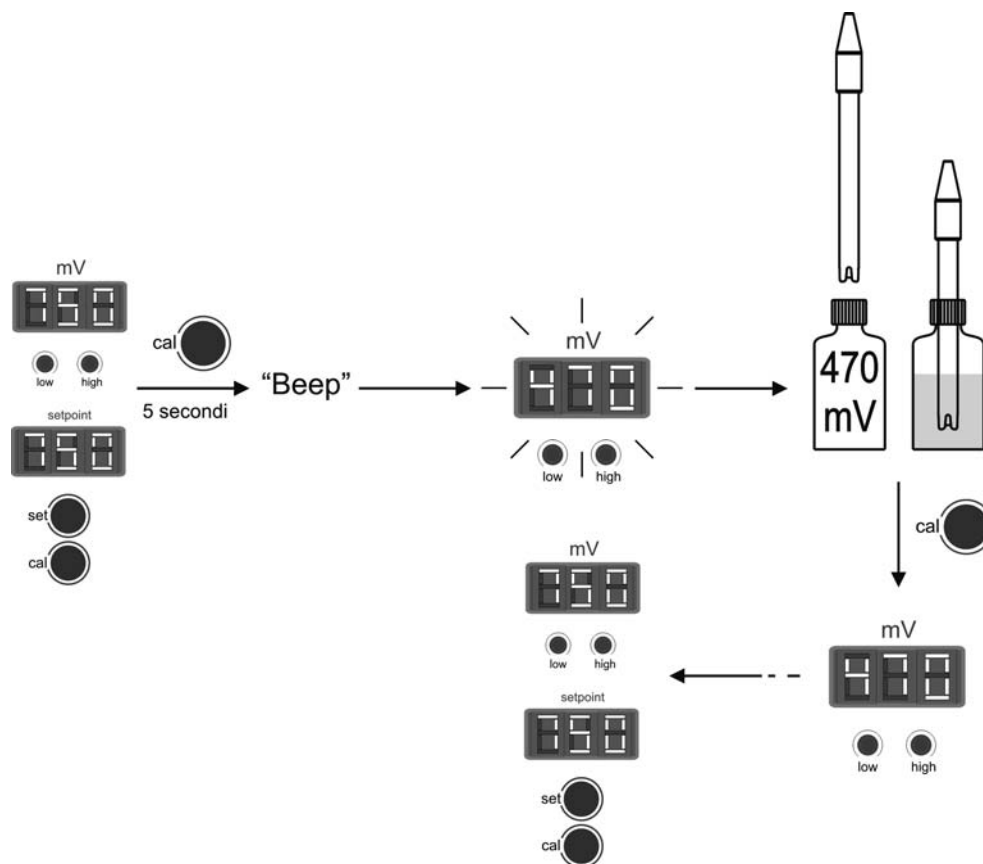
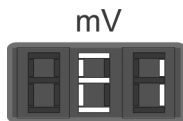
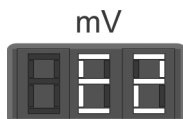


Fig. 37

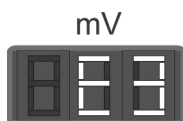
MESSAGGI D'ERRORE:



Se per qualsiasi motivo il processo di calibrazione si dovesse interrompere, il regolatore uscirà automaticamente dalla modalità "calibrazione" dopo alcuni secondi, senza l'intervento dell'utente. In questo caso, apparirà per alcuni istanti l'indicazione "E1" nello schermo [21].



Se il valore di ORP rilevato durante la calibrazione è molto diverso da quello sperato (p.e., sonda difettosa, etc.), il schermo [21] indicherà "E2", e non permetterà la calibrazione.



Se la misura di ORP è instabile durante il processo di calibrazione, apparirà il codice "E3" nello schermo [21]. Inoltre, non si potrà calibrare il sensore.

6.4. Manutenzione delle sonde di pH / ORP

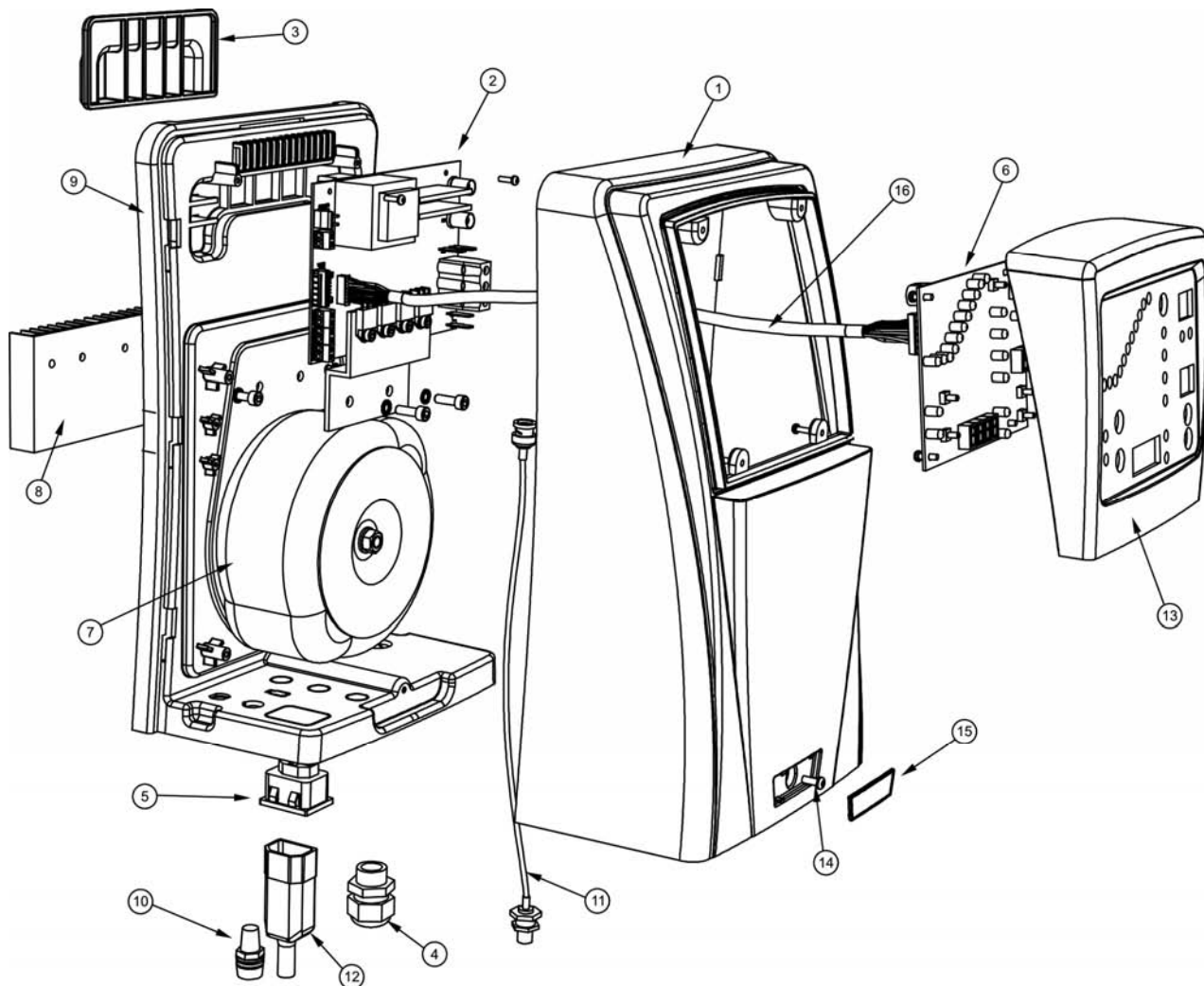
1. Assicurarsi che la membrana del sensore sia sempre umida.
2. Se non si utilizza il sensore per un lungo periodo, conservarlo immerso in una soluzione di conservazione a pH=4.0
3. Per pulire il sensore da possibile sporcizia, evitare di utilizzare materiali abrasivi che possano graffiare la superficie di misurazione.
4. La sonda di pH/ORP è un pezzo usurabile e dovrà essere sostituito dopo un certo periodo.

7. PROBLEMI / SOLUZIONE: _____

Staccare sempre l'apparecchio della rete elettrica prima di intraprendere ogni azione richiesta per risolvere possibili problemi. Qualsiasi problema che non è previsto nella lista seguente dovrà essere risolto da un tecnico autorizzato di IDEGIS.

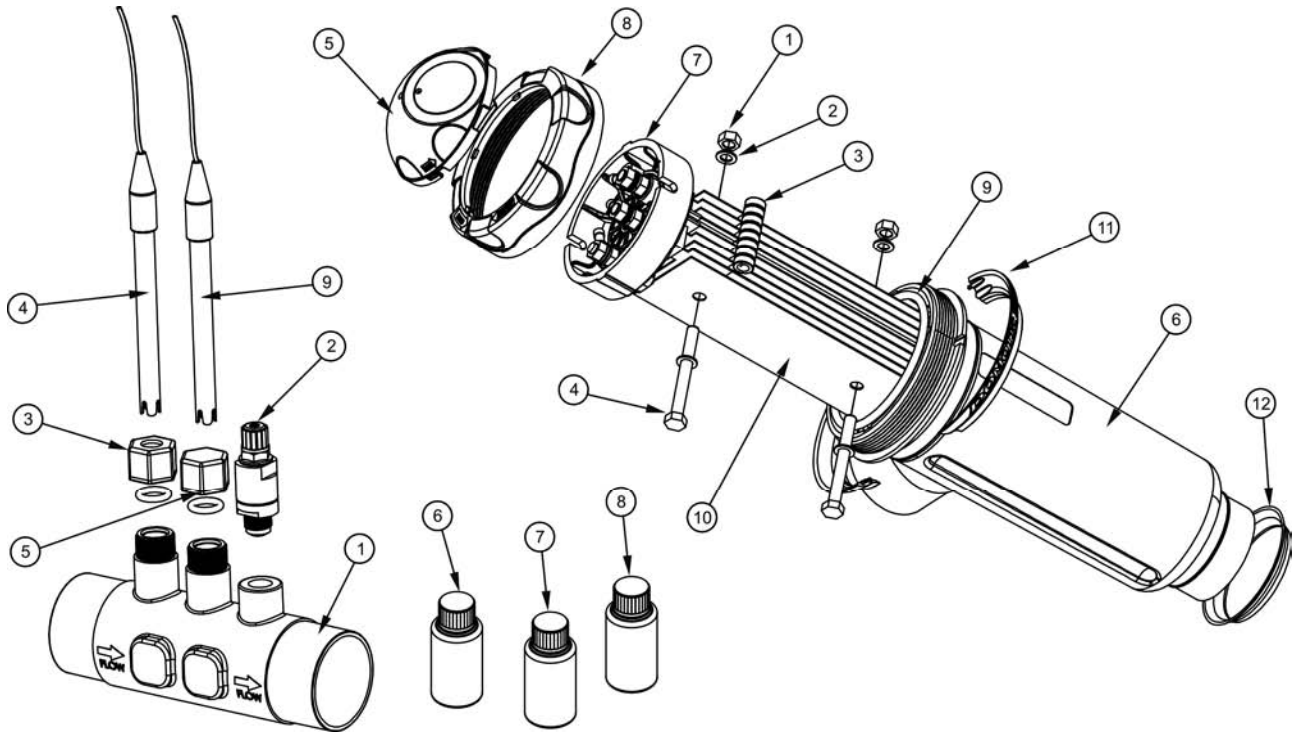
PROBLEMA	SOLUZIONE
<p>L'indicatore di produzione indica sempre "0" in ogni livello di produzione scelto</p>	<p>Verificare lo stato degli elettrodi. Verificare le connessioni tra l'alimentatore e la cellula elettrolitica. Verificare la concentrazione di sale</p>
<p>L'alimentatore non si accende</p>	<p>Verificare che il sistema sia correttamente collegato a 230 V/50-60 Hz nel quadro di manovra della piscina. Verificare lo stato del fusibile situato nella parte inferiore dell'impianto.</p>
<p>Il livello di cloro libero nella piscina è basso</p>	<p>Verificare che il sistema produca cloro nel ritorno della piscina. Assicurarsi che i parametri chimici dell'acqua (pH, cloro combinato, acido isocianurico) siano corretti. Aumentare il tempo di filtraggio. Aggiungere stabilizzante di cloro (acido cianurico) fino a raggiungere un livello di 25-30 g./m³.</p>
<p>Il controllatore di pH/ORP indica sempre valori estremo, o le letture sono instabili.</p>	<p>Il cavo di connessione del sensore è danneggiato. Pulire i contatti o cambiare il cavo. Il sensore ha una bolla di aria nella zona della membrana. Installare il sensore in posizione verticale. Agitare delicatamente fino a far sparire la bolla. Difetto del sensore. Il cavo di connessione è troppo lungo o è vicino a fonti di interferenza elettromagnetica (motori, etc.). Sostituire il sensore. Installare l'impianto più vicino possibile al sensore.</p>
<p>Impossibile calibrare il sensore di pH/ORP</p>	<p>La soluzione di calibrazione è scaduta o contaminata. Membrana del sensore bloccata. Assicurarsi che la membrana non sia danneggiata. Pulire il sensore con acido diluito in acqua, agitando delicatamente. Difetto del sensore. Sostituire il sensore.</p>
<p>Risposta lenta del sensore di pH/ORP</p>	<p>Sensore caricato elettrostaticamente. Durante la fase di calibrazione gli sensori non devono essere asciugati con carta o tessuti in fibra. Pulire esclusivamente con acqua ed agitare delicatamente. Rinnovo insufficiente dell'acqua analizzata (non c'è flusso di acqua nel punto di analisi). Assicurarsi che l'estremo del sensore sia immerso nel punto di analisi, e non ci siano bolle d'aria.</p>

8. COMPONENTI:



ALIMENTATORE

ID	CODICE	DESCRIZIONE	DOM 12	DOM 24	DOM 32	DOM 42	DOM 12 PH	DOM 24 PH	DOM 32 PH	DOM 42 PH	DOM 12 PLUS	DOM 24 PLUS	DOM 32 PLUS	DOM 42 PLUS	CANT
1	DOM00-13	Coperchio alimentatore	X	X	X	X	X	X	X	X	X	X	X	X	1
2	DOM10-03	Carta potenza AC-12	X												1
2	DOM18-03	Carta potenza AC-22		X											1
2	DOM25-03	Carta potenza AC-30			X										1
2	DOM40-03	Carta potenza AC-7				X									1
2	DOM10-04	Carta potenza AC-12/PH					X								1
2	DOM18-04	Carta potenza AC-22/PH						X							1
2	DOM25-04	Carta potenza AC-30/PH							X						1
2	DOM40-04	Carta potenza AC-7/PH								X					1
2	DOM10-05	Carta potenza AC-12/PH/ORP									X				1
2	DOM18-05	Carta potenza AC-22/PH/ORP										X			1
2	DOM25-05	Carta potenza AC-30/PH/ORP											X		1
2	DOM40-05	Carta potenza AC-7/PH/ORP												X	1
3	DOM00-14	Supporto de parete	X	X	X	X	X	X	X	X	X	X	X	X	1
4	DOM00-03	Passacavi M20	X	X	X	X	X	X	X	X	X	X	X	X	1
5	DOM00-04	Connettore CEE22 F pompa esterna					X	X	X	X	X	X	X	X	1
6	DOM00-05	Carta d'indicazione elettrolisi	X	X	X	X									1
6	DOM00-15	Carta d'indicazione elettrolisi /pH					X	X	X	X					1
6	DOM00-26	Carta d'indicazione elettrolisi/pH/ORP									X	X	X	X	1
7	DOM10-02	Transformatore potenza 190 VA	X				X				X				1
7	DOM18-02	Transformatore potenza 370 VA		X				X				X			1
7	DOM25-02	Transformatore potenza 480 VA			X				X				X		1
7	DOM40-02	Transformatore potenza 490 VA				X				X				X	1
8	DOM00-07	Dissipatore esterno	X	X	X	X	X	X	X	X	X	X	X	X	1
9	DOM00-16	Struttura interna regolatori	X	X	X	X	X	X	X	X	X	X	X	X	1
10	DOM00-09	Porta-fusibile	X	X	X	X	X	X	X	X	X	X	X	X	1
11	DOM00-10	Cavo BNC interno					1	1	1	1	2	2	2	2	1
12	DOM00-11	Connettore CEE22 M pompa pH					X	X	X	X	X	X	X	X	1
13	DOM00-17	Coperchio frontale terminale di controllo	X	X	X	X	X	X	X	X	X	X	X	X	1
14	DOM00-18	Vite fissazione coperchio alimentatore	X	X	X	X	X	X	X	X	X	X	X	X	1
15	DOM00-19	Abbellitore vite fissazione	X	X	X	X	X	X	X	X	X	X	X	X	1
16	DOM00-20	Cavo conness. carta potenza-carta ind.	X	X	X	X	X	X	X	X	X	X	X	X	1



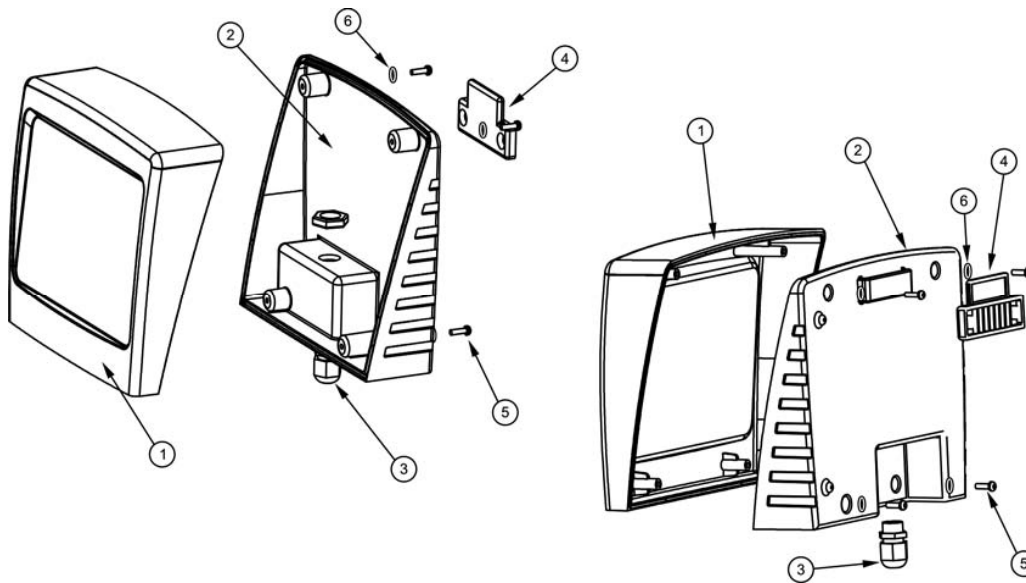
PORTA-SONDE

ID	CODICE	DESCRIZIONE	DOM 12	DOM 24	DOM 32	DOM 42	DOM 12 PH	DOM 24 PH	DOM 32 PH	DOM 42 PH	DOM 12 PLUS	DOM 24 PLUS	DOM 32 PLUS	DOM 42 PLUS	CANT
1	R-127	Corpo porta-sonde					X	X	X	X	X	X	X	X	1
2	R-035	Valvola iniezione pH-minus 3/8" *					X	X	X	X	X	X	X	X	1
3	R-028	Porta-elettrodi PE 12 mm					1	1	1	1	2	2	2	2	1
4	H-035	Elettrodo pH					X	X	X	X	X	X	X	X	1
5	R-127-01	Tappo M25 H					X	X	X	X					1
6	R-025	Soluzione calibrazione pH 7.0 (verde)					X	X	X	X	X	X	X	X	1
7	R-026	Soluzione calibrazione pH 4.0 rosso					X	X	X	X	X	X	X	X	1
8	R-027	Soluzione calibrazione ORP (470 mV)									X	X	X	X	1
9	RX-02	Sonda ORP EX									X	X	X	X	1

* non incluso con attrezzatura

CELLULA DI ELETTROLISI

ID	CODICE	DESCRIZIONE	DOM 12	DOM 24	DOM 32	DOM 42	DOM 12 PH	DOM 24 PH	DOM 32 PH	DOM 42 PH	DOM 12 PLUS	DOM 24 PLUS	DOM 32 PLUS	DOM 42 PLUS	CANT
1	R-015-04	Dado M8 Nylon per elettrodi	X	X	X	X	X	X	X	X	X	X	X	X	1
2	R-015-02	Rondella PP 1 mm spessore	X	X	X	X	X	X	X	X	X	X	X	X	1
3	R-015-03	Separatore PP per elettrodi	X	X	X	X	X	X	X	X	X	X	X	X	1
4	R-015-01	Vite PP M8 porta-elettrodi	X	X	X	X	X	X	X	X	X	X	X	X	1
5	R-303	Coperchio vite controllatore	X	X	X		X	X	X		X	X	X		1
5	R-015-07	Coperchio vite controllatore DOM-42				X				X				X	1
6	R-301	Cellula	X	X	X		X	X	X		X	X	X		1
6	R-010	Cellula DOM-42				X				X				X	1
7	R-015-05 DOM	Supporto elettrodi DOMOTIC	X	X	X		X	X	X		X	X	X		1
7	R-015-05 BIP	Supporto elettrodi DOM-42				X				X				X	1
8	R-302	Anello filettato cellula	X	X	X		X	X	X		X	X	X		1
8	R-015-06	Anello filettato cellula DOM-42				X				X				X	1
9	R-300	Giunta cellula	X	X	X		X	X	X		X	X	X		1
9	R-015-08	Giunta cellula DOM-42				X				X				X	1
10	R-058	Elettrodi DOMOTIC Series 10	X				X				X				1
10	R-059	Elettrodi DOMOTIC Series 18		X				X				X			1
10	R-060	Elettrodi DOMOTIC Series 25			X				X				X		1
10	R-204	Elettrodi DOMOTIC Series 40				X			X					X	1
11	R-010-01	Anello abbellitore superiore	X	X	X		X	X	X		X	X	X		1
12	R-010-02	Anello abbellitore uscita cellula	X	X	X		X	X	X		X	X	X		1



TERMINALE ESTRAIBILE OPZIONALE (non incluso con attrezzatura)

ID	CODICE	DESCRIZIONE	DOM 12	DOM 24	DOM 32	DOM 42	DOM 12 PH	DOM 24 PH	DOM 32 PH	DOM 42 PH	DOM 12 PLUS	DOM 24 PLUS	DOM 32 PLUS	DOM 42 PLUS	CANT
1	DOM00-021	Copertura	X	X	X	X	X	X	X	X	X	X	X	X	1
2	DOM00-022	Base terminale controllo	X	X	X	X	X	X	X	X	X	X	X	X	1
3	DOM00-023	Passacavi M12	X	X	X	X	X	X	X	X	X	X	X	X	1
4	DOM00-024	Supporto de parete	X	X	X	X	X	X	X	X	X	X	X	X	1
5	DOM00-025	Vite fissazione 3x8 mm	X	X	X	X	X	X	X	X	X	X	X	X	4
6	DOM00-025	Giunta vite fissazione	X	X	X	X	X	X	X	X	X	X	X	X	4

9. DATI TECNICI:

DETTAGLI TECNICI:

Tensione di alimentazione standard

230V AC - 50/60 Hz.
Cavo: 3 x 1.0 mm², lung. 2 m.
Domotic Series 12 0.36 A
Domotic Series 24 0.72 A
Domotic Series 32 0.89 A
Domotic Series 42 0.89 A

Fusibile

Domotic Series 12 2A T (5x20 mm)
Domotic Series 24 3.15A T (5x20 mm)
Domotic Series 32 4A T (5x20 mm)
Domotic Series 42 4A T (5x20 mm)

Tensione d'uscita

8-9 V DC (24 V DC DOM40)
Cavo 3 x 4 mm², lung. 2 m.
Domotic Series 12 12 A (2x6 A)
Domotic Series 24 24 A (2x12 A)
Domotic Series 32 32 A (2x16 A)
Domotic Series 42 42 A (6x7 A)

Produzione

Domotic Series 12 10 - 12 g./h.
Domotic Series 24 20 - 24 g./h.
Domotic Series 32 25 - 32 g./h.
Domotic Series 42 34 - 42 g./h.

Flusso minimo d'acqua

Domotic Series 12 2 m³/h.
Domotic Series 24 4 m³/h.
Domotic Series 32 6 m³/h.
Domotic Series 42 8 m³/h.

Número di elettrodi

Domotic Series 12 5
Domotic Series 24 7
Domotic Series 25 7
Domotic Series 42 13

Peso netto (Imballaggio incluso)

Domotic Series 12 11 Kg.
Domotic Series 24 13 Kg.
Domotic Series 32 15 Kg.
Domotic Series 42 17 Kg.

CARATTERISTICHE GENERALI:

Sistema di controllo

- Microprocessore
- Tastiera a membrana con pulsanti di controllo ed indicatori di funzionamento.
- E/U controllo: 3 entrate (tipo contatto libero di tensione) per rivelatore di flusso esterno, stato della copertura automatica e controllatore di ORP/Cloro residuo.
- Uscita cellula: controllo di produzione (11 livelli discrezionali).
- Controllatore pH integrato. (soltanto in modelli DOM-XX PH e DOM-XX PLUS)
- Controllatore ORP integrato (soltanto in modelli DOM-XX PLUS).

Auto-pulizia

Inversione di polarità automatica

Temperatura d'operazione

0°C à 40°C

Refrigerazione: convezione naturale

Materiale

Alimentatore / Terminale di controllo

○ ABS

Cellula di elettrolisi e porta-sonde

○ Metacrilato trasparente

Sensore pH (solamente in modelli DOM-XXPH e DOM-XX PLUS)

Corpo: plastica (colore blu)

Rango 0 -12 pH

Elettrolito solido

Sensore ORP (solamente in modelli DOM-XXPLUS)

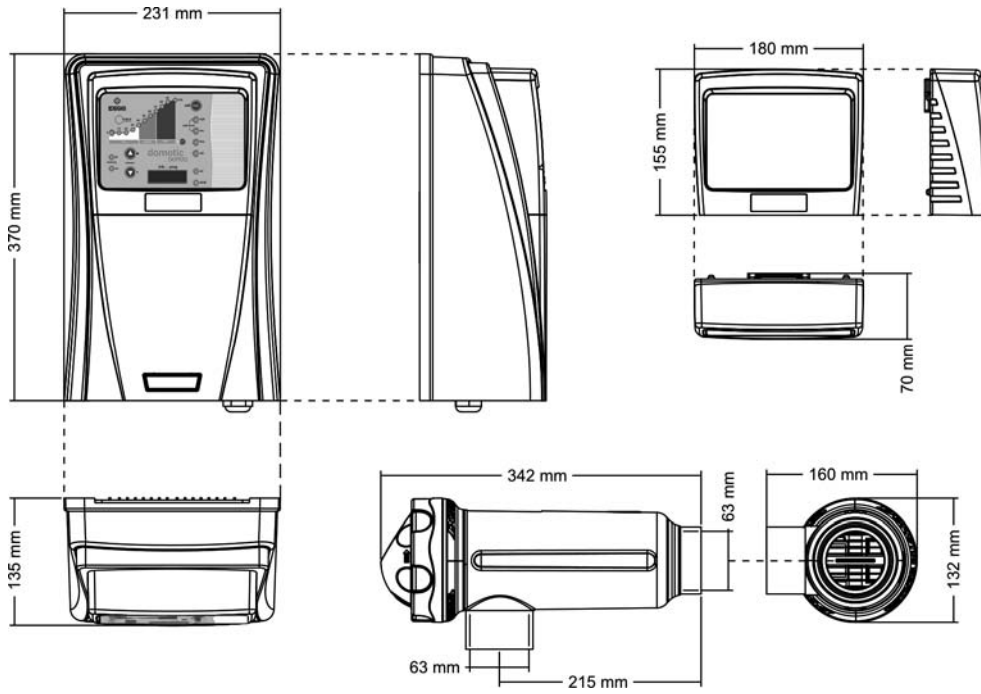
Corpo: plastica (colore rosso)

Rango 0 -1000 mV

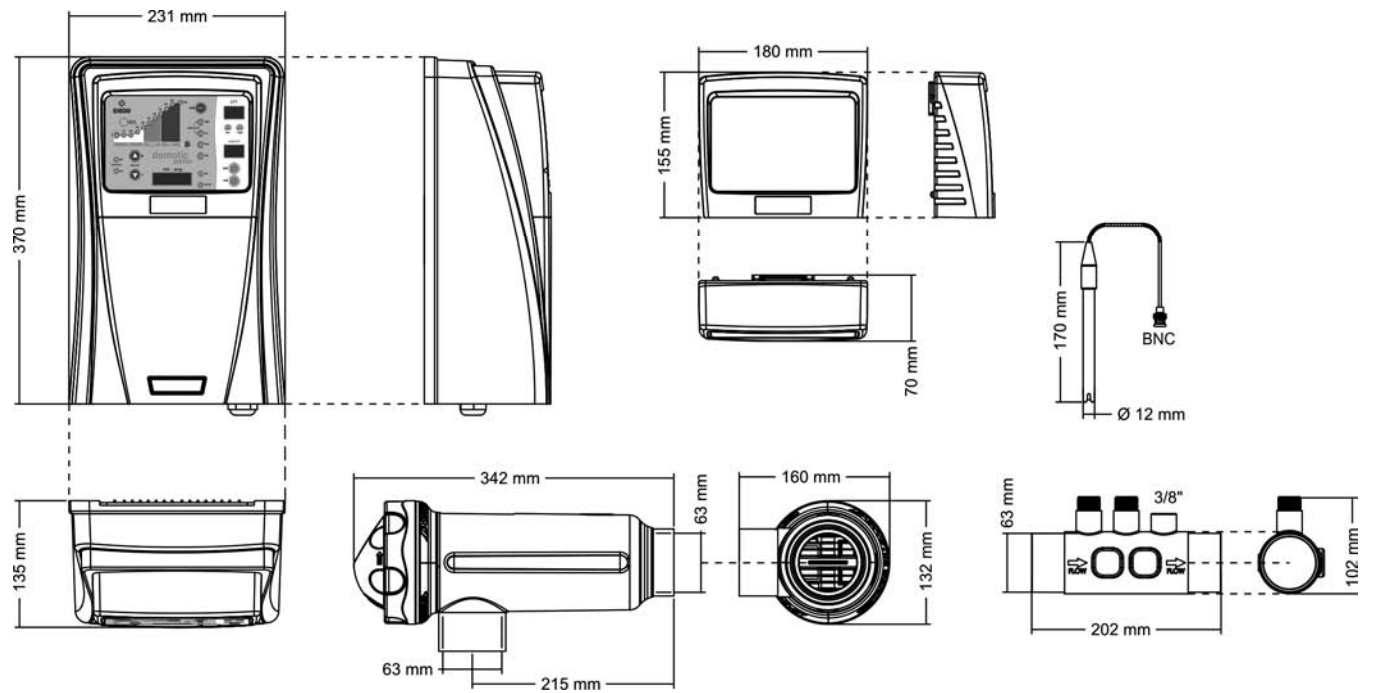
Elettrolito solido

Dimensioni

DOMOTIC (modelli DOM-XX)



DOMOTIC PH / PLUS (modelli DOM-XX PH e DOM-XX PLUS)



10. CONDIZIONI DI GARANZIA:

10.1. ASPETTI GENERALI

- 10.1.1. Ai sensi delle presenti disposizioni, il venditore garantisce che il prodotto corrispondente a questa garanzia non presenta alcun difetto al momento della consegna.
- 10.1.2. Il Periodo Totale di Garanzia è di 3 ANNI.
- 10.1.3. Garanzie specifiche:
- 10.1.3.1. Gli elettrodi sono coperti da una garanzia speciale di 5 ANNI ⁽¹⁾ o 5.000 ore (ciò che si compie per primo), senza estensioni.
 - 10.1.3.2. I sensori di pH/ORP sono coperti da una garanzia di 6 MESI senza estensioni.
 - 10.1.3.3. Questi periodi di garanzia specifici sono soggetti in particolare alle limitazioni indicate al paragrafo §10.3.2.
- 10.1.4. In caso di difetto del prodotto segnalato dall'acquirente al venditore durante il periodo di garanzia, il venditore sarà tenuto a riparare o sostituire il prodotto a proprie spese nel luogo che ritenga opportuno, salvo nel caso in cui ciò risulti impossibile o sproporzionato.
- 10.1.5. Nel caso in cui il prodotto non possa essere riparato o sostituito, l'acquirente potrà richiedere una riduzione proporzionale del prezzo ovvero, qualora il difetto sia sufficientemente importante, la risoluzione del contratto di vendita.
- 10.1.6. Le parti sostituite o riparate in virtù della presente garanzia non estenderanno la durata della garanzia del prodotto originale, sebbene siano coperte da una garanzia propria.
- 10.1.7. Affinché la presente garanzia sia efficace, l'acquirente dovrà poter certificare la data d'acquisto e di consegna del prodotto.
- 10.1.8. Qualora l'acquirente, trascorsi oltre sei mesi dalla consegna del prodotto allo stesso, ne dichiari un difetto, dovrà dimostrarne l'origine e l'esistenza.
- 10.1.9. Il presente Certificato di Garanzia non limita o pregiudica i diritti dei consumatori ai sensi delle vigenti norme legali nazionali di carattere imperativo.

10.2. CONDIZIONI PARTICOLARI

- 10.2.1. Affinché la presente garanzia sia efficace, l'acquirente dovrà seguire strettamente le indicazioni del fabbricante comprese nella documentazione allegata al prodotto, qualora essa risulti applicabile in base alla gamma ed al modello del prodotto.
- 10.2.2. Qualora venga specificato un calendario per la sostituzione, la manutenzione o la pulizia di determinate parti o componenti del prodotto, la garanzia sarà valida solamente nel caso in cui tale tempistica sia stata correttamente rispettata.

10.3. LIMITAZIONI

- 10.3.1. La presente garanzia sarà applicabile unicamente alle vendite eseguite nei confronti di consumatori; per "consumatori" si intendono le persone che acquistino il prodotto per scopi estranei alla rispettiva attività professionale.
- 10.3.2. I periodi di garanzia specifici fissati al paragrafo §10.1.3. non si applicano in caso di utilizzo commerciale del prodotto in edifici di pubblico accesso (alberghi, centri sportivi, condomini, scuole ecc.). In tali casi, a partire dalle 4.500 ore di funzionamento verificabili si applica una garanzia di tipo proporzionale al tempo di funzionamento residuo, fino al periodo di garanzia originale di 5000 ore.
- 10.3.3. Non verrà concessa alcuna garanzia a copertura della normale usura dovuta all'utilizzo del prodotto, né per i pezzi, i componenti e/o i materiali fungibili o di consumo (ad eccezione dell'elettrodo).
- 10.3.4. La garanzia non copre i casi in cui il prodotto: (i) sia stato oggetto di uso improprio; (ii) sia stato ispezionato, riparato, mantenuto o manipolato da personale non autorizzato; (iii) sia stato riparato o mantenuto con pezzi non originali o (iv) sia stato installato o messo in servizio in modo improprio.
- 10.3.5. Qualora la mancanza di conformità del prodotto sia conseguenza d'una impropria installazione o messa in servizio, la presente garanzia sarà valida nel caso in cui tale installazione o messa in servizio sia inclusa nel contratto di acquisto-vendita del prodotto e sia stata eseguita dal venditore o sotto la propria responsabilità.
- 10.3.6. Danni e difetti del prodotto dovuti alle seguenti cause:
- o Programmazione difettosa del sistema e/o calibratura inadeguata dei sensori di pH/ORP per l'utente.
 - o Funzionamento a concentrazioni di salinità inferiori a 3 g/l di cloruro sodico e/o temperature inferiori a 15°C o superiori a 40°C.
 - o Funzionamento in condizioni di pH superiore a 7,6.
 - o Impiego di prodotti chimici non esplicitamente autorizzati.
 - o Svolgimento delle operazioni di pulizia degli elettrodi con frequenze eccessivamente elevate o con prodotti e/o procedimenti diversi da quelli descritti nel manuale di istruzioni.
 - o Esposizione ad ambienti corrosivi e/o temperature inferiori a 0°C (32°F) o superiori a 50°C (125°F).

WICHTIG: Das Handbuch mit den Betriebsanleitungen, das Sie in Händen halten, enthält wichtige Information über die anzuwendenden Sicherheitsmaßnahmen für die Installation und Inbetriebnahme. Es ist daher unerlässlich, daß die Anweisungen vom Installateur und vom Benutzer vor der Montage und Inbetriebnahme aufmerksam durchgelesen werden. Bewahren Sie dieses Handbuch auf, falls Sie zu einem späteren Zeitpunkt Informationen über die Funktion dieses Apparates nachschlagen.



Die Entsorgung der Abfälle von elektronischen Haushaltsgeräten bzw sonstigen elektronischen Produkten in der Europäischen Union.

Alle Produkte die mit diesem Symbol markierte sind, zeigen an, das diese nicht mit den restlichen elektronischen Haushaltsgeräten zusammen entsorgt werden dürfen. Die Verantwortung liegt beim Benutzer, das die elektronischen Abfälle in die jeweiligen wiederverwertbaren Vorrichtungen entsorgt werden. Die richtige Behandlung und Verarbeitung von diesen Abfällen, trägt wesentlich zur Erhaltung der Umwelt und zur Erhaltung der Gesundheit der Benutzer bei. Um eine präzise information über die Abholdellen von den Abfällen zubekommen, nimmt man Kontakt mit den Verantwortlichen der lokalen Stelle auf.

Die Anweisungen in diesem Betriebshandbuch erklären die Funktionsweise und die Wartung von DOMOTIC-Salzelektrolysesystemen der Serien DOM-XX, DOM-XX PH und DOM-XX PLUS. Für eine optimale Leistung des DOMOTIC Series Salzelektrolysesystems wird empfohlen, die folgenden Anweisungen zu befolgen:

1. ÜBERPRÜFEN SIE DEN INHALT DER VERPACKUNG: _____

Im Inneren der Kiste befindet sich folgendes Zubehör:

- Netzgerät.
- Elektrolysezelle.
- pH sensor (nur in DOM-XX PH und DOM-XX PLUS Geräten).
- ORP sensor (nur in DOM-XX PLUS Geräten).
- Kalibrierungslösungen pH 7.0 (Grün) / pH 4.0 (Rot) / 470 mV (ORP) (nur in DOM-XX PH und DOM-XX PLUS Geräten).
- Sensorenhalter (nur in DOM-XX PH und DOM-XX PLUS Geräten).
- Stecker CEE22 für Dosierungpumpe(nur in DOM-XX PH und DOM-XX PLUS Geräten).
- Betriebshandbuch.

2. ALLGEMEINE KENNZEICHEN: _____

Nach der Montage Ihrer DOMOTIC Series salzelektrolyse-system ist es nötig, eine Menge Salz in Wasser aufzulösen. Dieses Salzwasser fließt durch die Elektrolysezelle, die sich in der Kläranlage befindet. Die Salzelektrolyse-Anlage besteht aus zwei Bestandteilen: die Elektrolysezelle und das Netzgerät. Die Elektrolysezelle enthält eine bestimmte Anzahl an Titanplatten (Elektroden), so dass, wenn man durch sie Elektrostrom fließen lässt und die Salzlösung durch sie fließt, freies Chlor erzeugt wird.

Die Unterhaltung eines bestimmten Chlorstandes im Poolwasser garantiert seine sanitäre Qualität. Eine DOMOTIC Series salzelektrolysesystem stellt dann Chlor her, wenn das Strömungssystem des Pools (Pumpe und Filter) in Betrieb sind.

Das Netzgerät verfügt über verschiedene Alarmeinheiten, die sich bei einem anomalen Verhalten der Anlage in Gang setzen und über ein Produktionsüberwachungssystem das über einen Mikroprozessor gesteuert wird.

Das DOMOTIC Series salzelektrolysesystem verfügt über ein automatisches Reinigungssystem, das Kalkablagerungen an den Elektroden vorbeugt. Außerdem gehört eine automatische pH / ORP Kontrollvorrichtung zu den Systemen der DOMOTIC-PH und DOMOTIC-PLUS serien.

3. SICHERHEITSHINWEISE UND EMPFEHLUNGEN: _____

- System muß von qualifiziertem Persona angebracht werden.
- Unfallverhütungsmaßnahmen sowie gültige Vorschriften für Elektroanlagen beachten.
- Der Hersteller haftet in keinem Fall für Montage n, Installationen oder Inbetriebnahmen oder f ür jegliche Handhabung oder d en Einbau von Komponenten, die nicht im Werk des Herstellers erfolgten.
- DOMOTIC Series Salzelektrolyse Systeme funktionieren mit 230 V AC / 50-60 Hz. Versuchen Sie niemals, den System umzubauen, damit er mit einer anderen Spannung funktioniert.
- Überprüfen Sie, ob alle Anschlüsse richtig sitzen, um Wackelkontakte und deren Überhitzung zu vermeiden.
- Vor dem Einbau oder Austausch eines Systembauteils darauf achten, dass es vorher von der Versorgungsspannung getrennt wurde. Nur von IDEGIS gelieferte Ersatzteile einsetzen.
- Da das Gerät relativ viel Hitze erzeugt, muss es an einem gut durchlüfteten Ort installiert werden und die Belüftungsöffnungen dürfen durch keinerlei Objekte verschlossen werden.
- Die DOMOTIC Series SalzElektrolyse Systeme entsprechen dem Schutzgrad IP 24. Sie dürfen niemals an O rten installiert werden, die überschwemmt werden können.

NETZGERÄT

BESCHREIBUNG	MODELL			
	DOM-12 / DOM-12 PH / DOM-12 PLUS	DOM-24 / DOM-24 PH / DOM-24 PLUS	DOM-32 / DOM-32 PH / DOM-32 PLUS	DOM-42 / DOM-42 PH / DOM-42 PLUS
Standard-Gebrauchsspannung	230 V AC, 50/60 Hz.			
Ausgang (dc)	12 A (2x6 A)	24 A (2x12 A)	32 A (2x16A)	42 A (6x7A)
Erzeugung (g/h)	10 - 12	20 -24	25 - 32	34 - 42
Beckenvolumen (m ³) Lauwarm: 16 - 24°C Warm: +25°C	60 50	100 80	160 120	200 160
Flussdetektor	Gasdetektor			
Salzgehalt / Temperatur rank	3 - 12 g./l. / +15 - 40°C			
Elektroden	Titan mit SELBSTREINIGENDER Beschichtung Geschätzte Lebenszeit: 4.000 - 7.000 Betriebsstunden			
Erzeugungssteuerung	0 - 100 % (11 Erzeugungsniveaus)			
Abdeckungssteuerung	Eingang für Potenzial-freien Kontakt Produktionssenkung mit Steuertafel bei geschlossener Abdeckung programmierbar [10 ... 90%]			
Polaritätswechsel	Mit Steuertafel programmierbar: 2/3 Stunden + Testmodus			
Externe Steuerung	Zwei spannungsfreie Eingänge für externen Flussdetektor und ORP/RESTCHLOR-Steuergerät. Mit Steuertafel programmierbare Kontaktlogik			
Salzstufenschutz	Automatischer Produktionsschutz			

ELEKTROLYSEZELLE

BESCHREIBUNG	MODELL			
	DOM-12 / DOM-12 PH / DOM-12 PLUS	DOM-24 / DOM-24 PH / DOM-24 PLUS	DOM-32 / DOM-32 PH / DOM-32 PLUS	DOM-42 / DOM-42 PH / DOM-42 PLUS
Kleinste Durchflussmenge	2 m ³ /h	4 m ³ /h	6 m ³ /h	8 m ³ /h
Elektrodenanzahl	5	7	7	13
Material	Polimer aus der Methacrylat-Familie			
Anschluss an die Rohrleitung	Verleimung mit Klebemittel für PVC-Rohr Ø 63 mm.			
Maximaler Höchstdruck	1 Kg./cm ²			
Arbeitstemperatur	Unter 40°C			

PH / ORP REGLER

BESCHREIBUNG	MODELL			
	DOM-12 PH DOM-12 PLUS	DOM-24 PH DOM-24 PLUS	DOM-32 PH DOM-32 PLUS	DOM-42 PH DOM-42 PLUS
Messbandbreite	0.0 - 9.9 (pH) / 0 - 999 mV (ORP)			
Steuerbandbreite	7.0 - 7.8 (pH) / 600 - 850 mV (ORP)			
Genauigkeit	± 0.1 pH / ± 1 mV			
Kalibrierung	Automatisch anhand von Musterlösungen			
Steuerausgänge [pH]	Ein 230 VAC / 500 mA Ausgang zum Anschluss der Dosierungspumpe			
pH / ORP sensor	Epoxy-Gehäuse, 12x 150 mm., einfacher Anschluss, 0-80°C BLAUES farbe, bereich 0 - 12 (pH) ROTE farbe, bereich 0 - 1000 mV (ORP)			

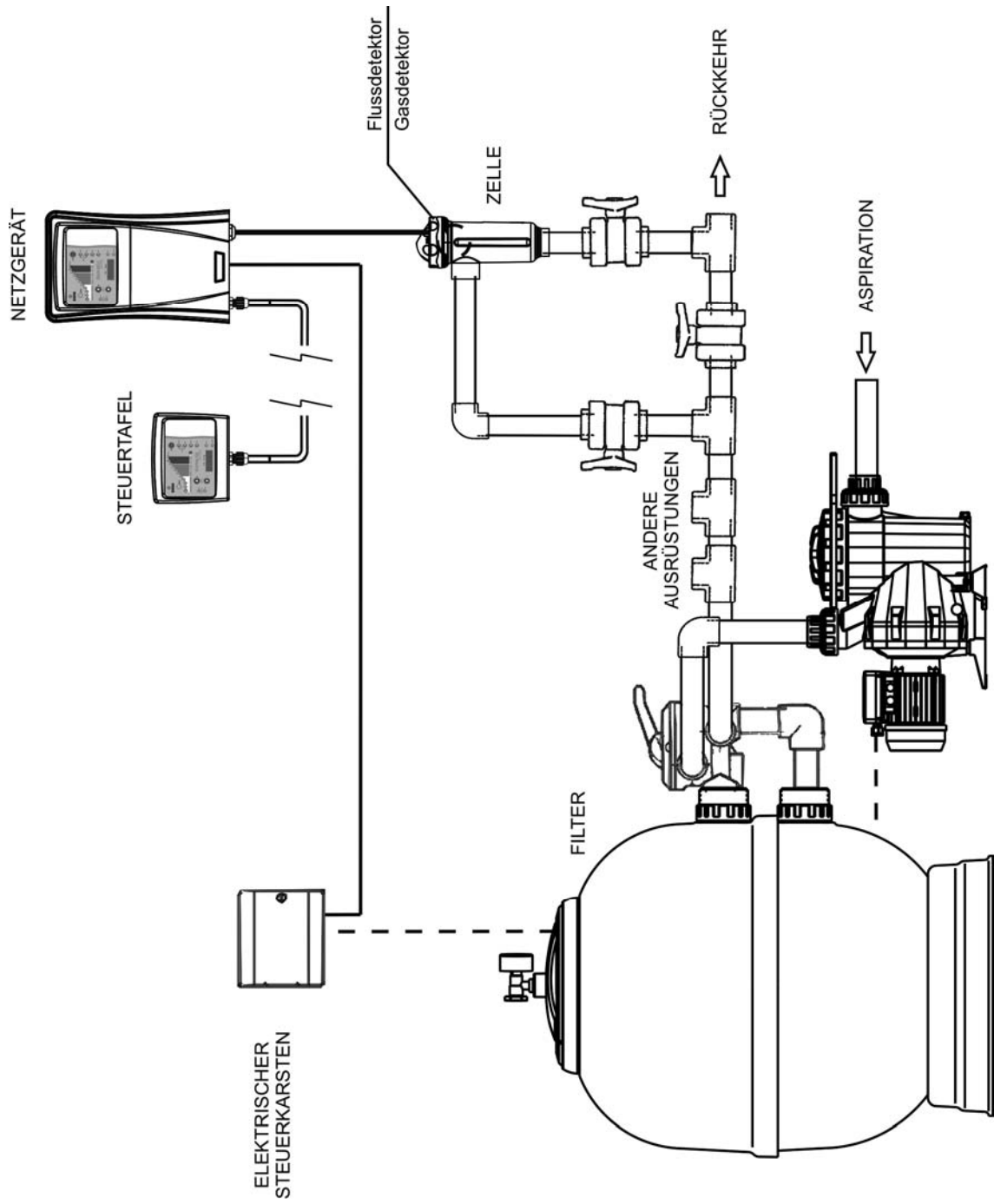


Abb.1 Empfohlenes Installation Diagramm (modelle DOMOTIC Series DOM-XX).

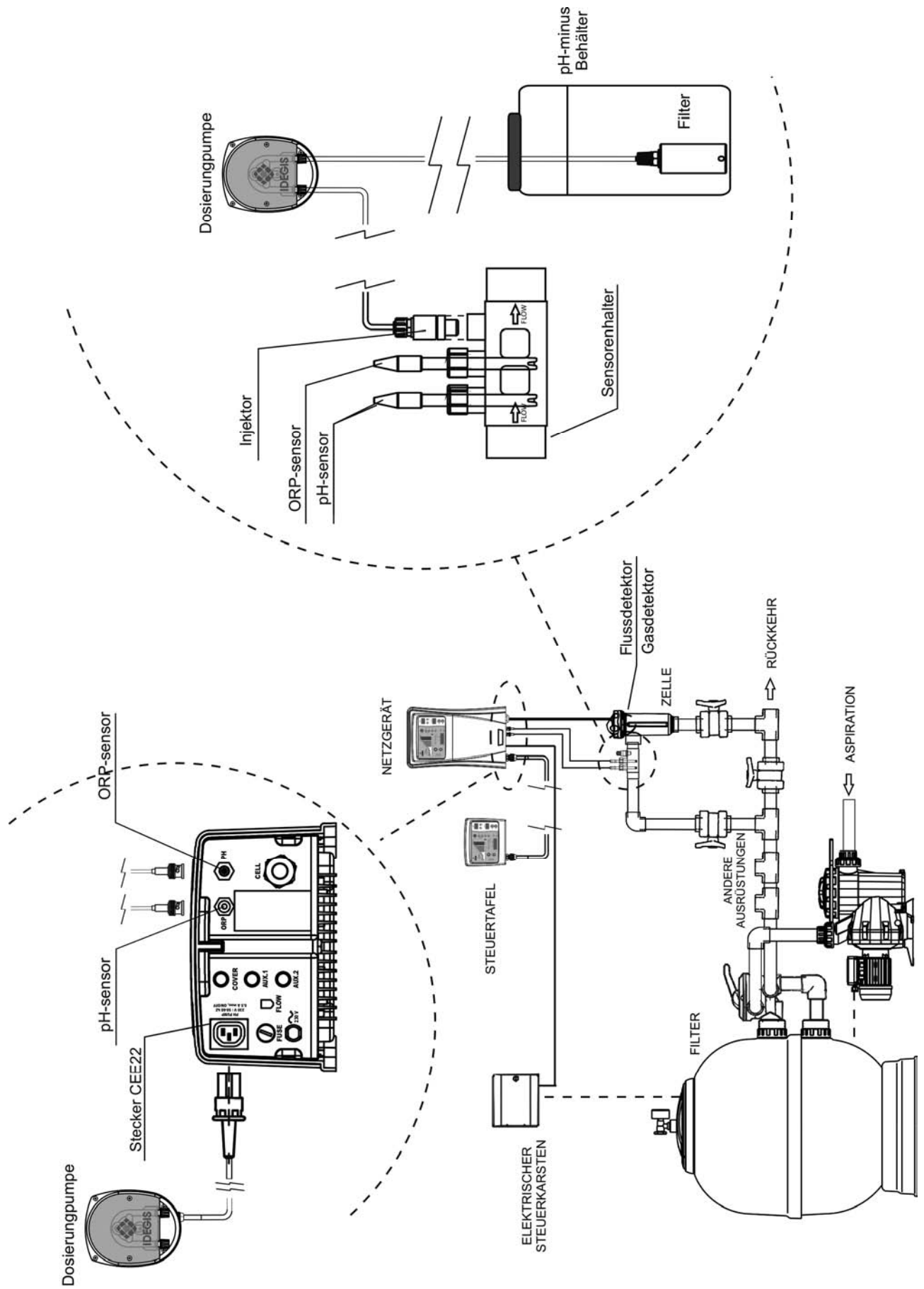


Abb.2 Empfohlenes Installation Diagramm (modelle DOMOTIC Series DOM-XX PH und DOM-XX PLUS).

4. MONTAGE:

4.1. Netzgerät

Das NETZGERÄT der DOMOTIC Series System immer SENKRECHT und auf einer festen Oberfläche (Mauer) montieren, so wie es im Montageplan dargestellt ist (Abb. 1,2). Um einen optimalen Erhaltungszustand zu erreichen, empfiehlt es sich das Gerät an einer trockenen und gut durchlüfteten Stelle zu montieren. Das NETZGERÄT der DOMOTIC Series System sollte nicht der Witterung ausgesetzt sein, denn es ist nicht Wasserdicht.

Vermeiden Sie insbesondere die Bildung ätzender Korrosionsmedien wegen der PH-verniedrigenden Lösungen (genau gesagt, die Formeln mit „HCl“-Salzsäure). Das DOMOTIC Series System nicht in der Nähe der Lagerungsorte dieser Produkte montieren. Wir empfehlen dringend die Benutzung von Produkten auf der Basis von Natriumhydrogensulfid oder aufgelöster Schwefelsäure. Der Anschluss des Netzgerätes an das Stromnetz muss im elektrischen Steuerkasten der Filteranlage erfolgen, so dass die Pumpe und das DOMOTIC Series System gleichzeitig angeschlossen werden.

4.2. Elektrolysezelle

Die Elektrolysezelle besteht aus durchsichtigem Polymer und in ihrem Innern befinden sich die Elektroden. Die Elektrolysezelle sollte an einer trockenen, nicht der Witterung ausgesetzten Stelle, installiert werden und **immer nach dem Filtersystem angeschlossen werden**. Wenn noch andere Elemente zur Anlage gehören wie z. B. Wärmepumpen, Steuerungssysteme, usw., sollten diese immer vor dem Elektrolysesystem angeschlossen werden.

Die Elektrolysezelle sollte an einer gut erreichbaren Stelle installiert werden, so dass der Benutzer die Elektroden gut erreichen kann. Am besten ist es, wenn die Elektrolysezelle **VERTIKAL** auf der Rohrleitung montiert wird und mit zwei Ventilen vom Rest der Anlage getrennt werden kann; dies erleichtert die Wartungsarbeiten ohne dass dazu das Schwimmbad ganz oder teilweise geleert werden muss.

Falls die Zelle im by-pass montiert wird (empfohlene Option), muss ein Ventil zur Regulierung der Strömung installiert werden. Bevor Sie mit der entgeltlichen Montage des Systems beginnen, sollten Sie folgende Ratschläge beachten:

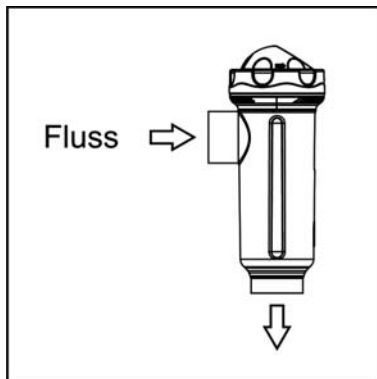


Abb. 3

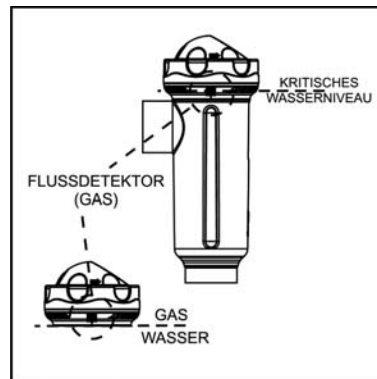


Abb. 4

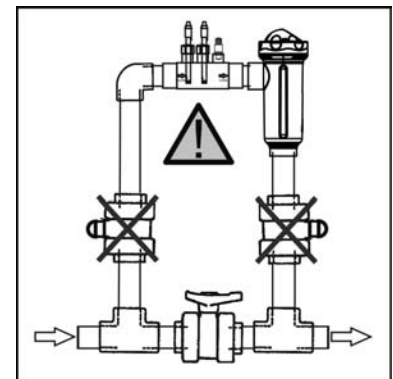


Abb. 5

1. Die in der Zelle angegebene Strömungsrichtung muss unbedingt beachtet werden. Die in der Tabelle „TECHNISCHE ANGABEN“ angegebene Mindestdurchflussmengen für die verschiedenen Modelle, müssen vom Umlaufsystem eingehalten werden (Siehe Absatz 9).

2. Das Flussdetektor wird aktiviert wenn kein Wasserumlauf (Strömung) in der Zelle registriert wird oder wenn dieser sehr gering ist. Wenn das Gas bei der Elektrolyse nicht abgelassen wird, entstehen eine Blase welche die Hilfelektrode elektrisch isoliert (elektronische Detektion). Daher, wenn die Elektroden in die Zelle eingeführt werden, sollte sich die Niveauelektrode (Hilfelektrode) im oberen Bereich der Zelle befinden. Am besten sollten Sie die Hilfelektrode so plazieren wie auf der Abbildung dargestellt ist. Um eine übermäßige Schwingung der Elektroden zu vermeiden, sollten diese im Inneren der Zelle parallel zur Wasserströmung gelegt werden.

3. **ACHTUNG:** wenn beide Ventile, Eingangs- und Ausgangsventil zur Rohrleitung, dort wo die Elektrolysezelle angeschlossen ist, gleichzeitig geschlossen werden funktioniert der Strömungs-Messer nicht richtig und kann sogar beschädigt werden. Obwohl dies eine ausgesprochen ungewöhnliche Situation darstellt, **kann sie vermieden werden, indem das Rückflussventil zum Schwimmbad nach dem Einbau des Geräts verriegelt wird**. Somit kann es nicht aus Versehen manipuliert werden.

Man kann sie auch an einer anderen Stelle montieren, aber nur dann, wenn eine geringe Strömung registriert werden kann.

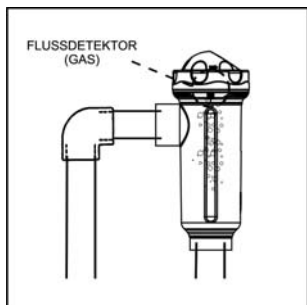


Abb. 6

Empfohlene Installation

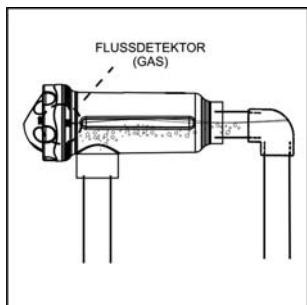


Abb. 7

Erlaubte Installation

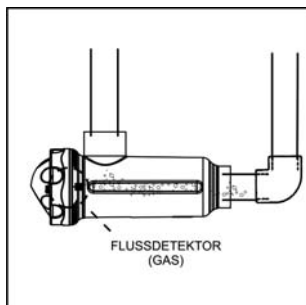


Abb. 8

Nicht erlaubte Installationen

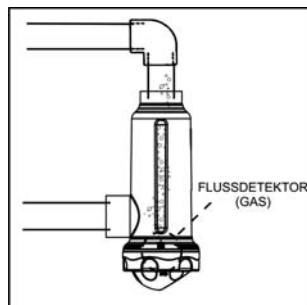


Abb. 9

Die Elektroden müssen in das Innere der Elektrolysezelle eingebaut werden, indem die Zentralelektrode der Baugruppe durch die Führungen im oberen und unteren Gehäuseteil der Zelle eingesetzt wird

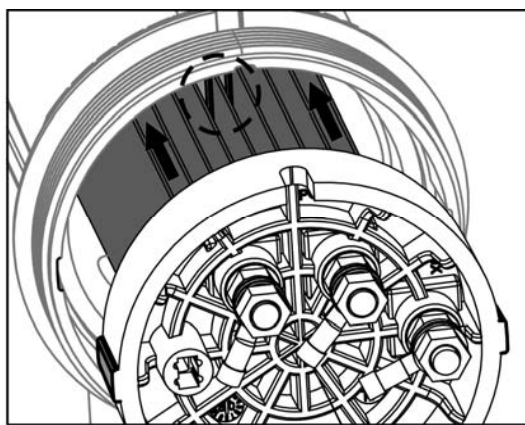
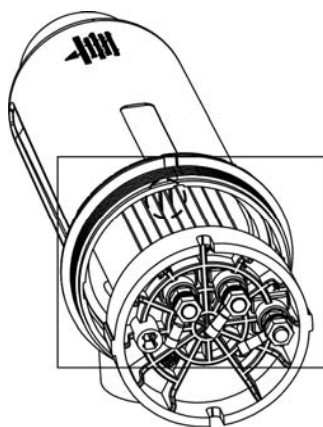


Abb. 10

4.3. Elektrische Anschlüsse der Elektrolysezelle

Zusammenschluss zwischen der Elektrolysezelle und dem Netzgerät so wie auf der Abbildung dargestellt ist durchführen. Wegen der relativ hohen Stromstärke, sollten die Stromkabel die mit der Elektrolysezelle verbunden sind, in keinem Fall gekürzt oder getrennt werden, ohne vorher den zugelassenen Fachhändler von IDEGIS zu befragen. Das Anschlusskabel zwischen Zelle und Netzgerät muss die in diesem Handbuch angegebene Dicke einhalten: **DOM-12 (6 A), 7.5 m.; DOM-24 (12 A), 4.0 m.; DOM-32 (16 A), 3.0 m.; DOM-42 (7 A), 16.0 m.**

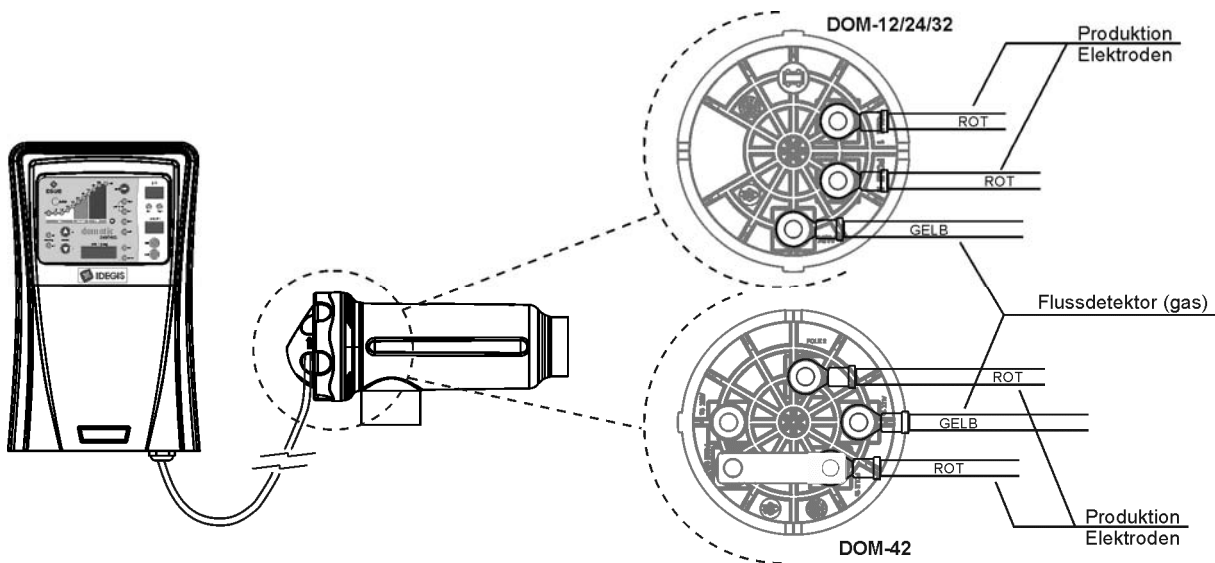


Abb. 11

4.4. pH / ORP sensor (nur in DOM-XX PH- und DOM-XX PLUS Geräten).

1. Die mit dem Gerät gelieferten pH / ORP sensor in die entsprechenden Sensorträgerlagerungen einsetzen (Abb. 12).
2. Lösen Sie hierfür die Überwurfmutter und setzen Sie die Elektrode ein.
3. Die sensor muss so in den Anschlussstutzen eingeführt werden, dass der Sensor, der sich an seinem äußerem Ende befindet, immer in Wasser eingetaucht ist das durch die Leitungen fließ.
4. **Die sensor Sensor sollte am besten immer senkrecht installiert werden oder mit einer maximalen Neigung von 40° (Abb. 13).**

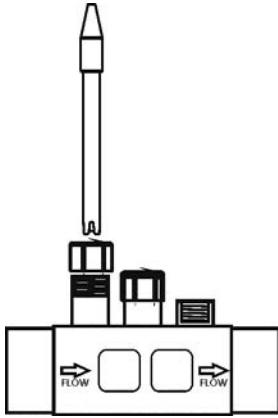


Abb. 12

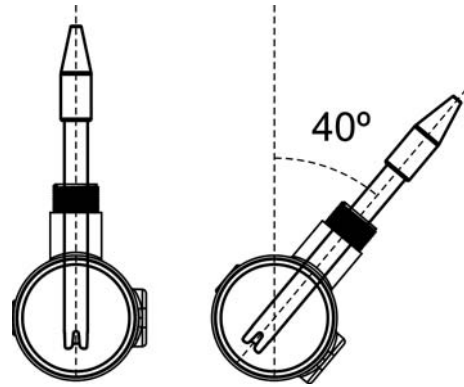


Abb. 13

4.5. Einbau externer Flussdetektor (optional - nicht im Lieferumfang enthalten)

1. Die zum Lieferumfang gehörende Quetschverschraubung an einem Teil der Rohrleitung anbringen, der sich am Eingang der Elektrolysezelle befindet. Die Manschette muss immer waagrecht zum Boden (siehe Abb. 14-1) angebracht werden.
2. Den zum Lieferumfang gehörenden Durchflussdetektor (Durchflussschalter) immer senkrecht an der Manschette (Abb. 14-1) anbringen.
3. Auf dem Flussdetektorkopf ist ein Pfeil markiert. Darauf achten, dass der Pfeil parallel zur Rohrachse steht und in Wasserflussrichtung zeigt (Abb. 14-2).
4. Bauen Sie den Flussdetektor nicht in der Nähe von ferromagnetischen Gegenständen ein. Diese Gegenstände können die Funktionsweise der im Inneren befindlichen Magnetvorrichtung beeinflussen und die Zuverlässigkeit reduzieren.

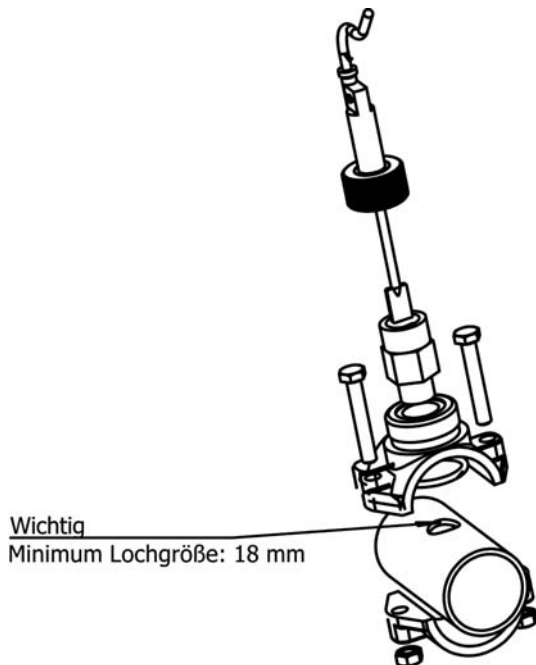


Abb. 14-1

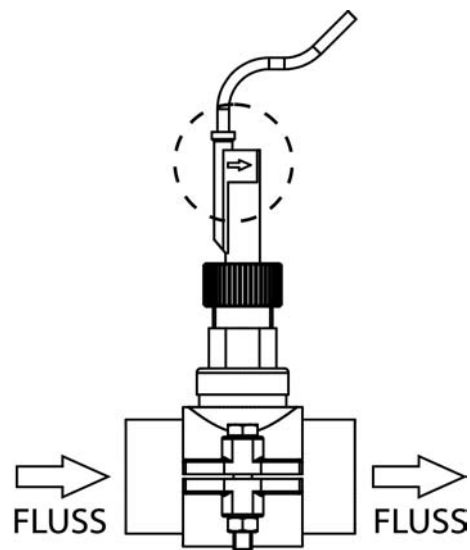


Abb. 14-2

4.6. Montage externe Steuertafel

Bei den Geräten der DOMOTIC-Serie können Sie eine externe Steuertafel an der Wand anbringen, welche die Fernsteuerung des Elektrolysesystems der Schwimmbeckenreinigungsanlage gestattet. Die Verbindung der Steuertafel mit der Stromquelle kann über ein sechsadriges Signalkabel erfolgen (Mindestquerschnitt 0,22 mm²), das an die entsprechenden Anschlusskarten der Stromversorgung und der Anzeige anzuschließen ist. Die Länge dieses Kabels ist durch die Anforderungen des Benutzers bestimmt, darf aber keinesfalls 40 Meter überschreiten. Die Steuertafel versorgt sich über einen eigenen Bus-Anschluss mit 10,5 V Wechselstrom selbst und benötigt daher keinen zusätzlichen Stromversorgungsanschluss.

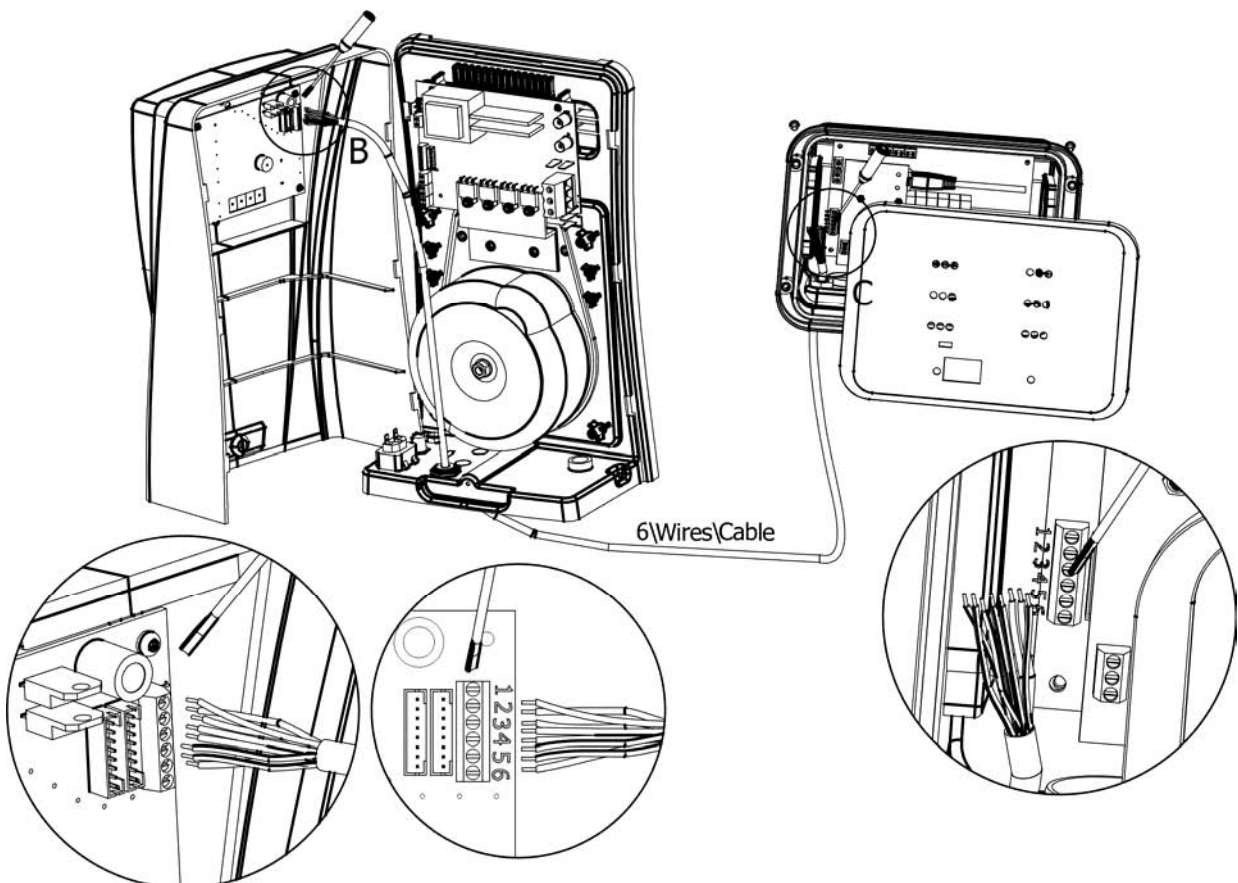
Diese Steuertafel erfordert keine besonderen Wartungsmaßnahmen außer den folgenden allgemeinen Betriebsbedingungen:

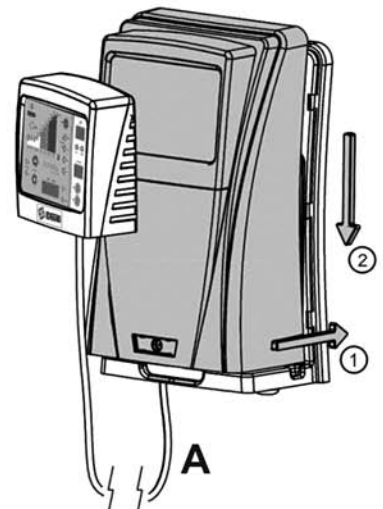
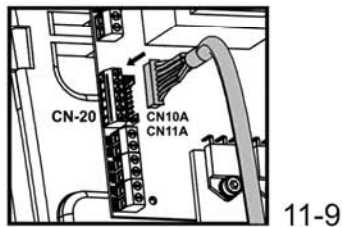
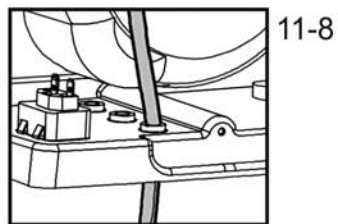
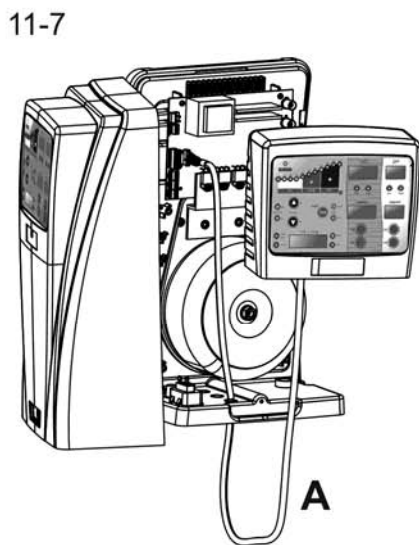
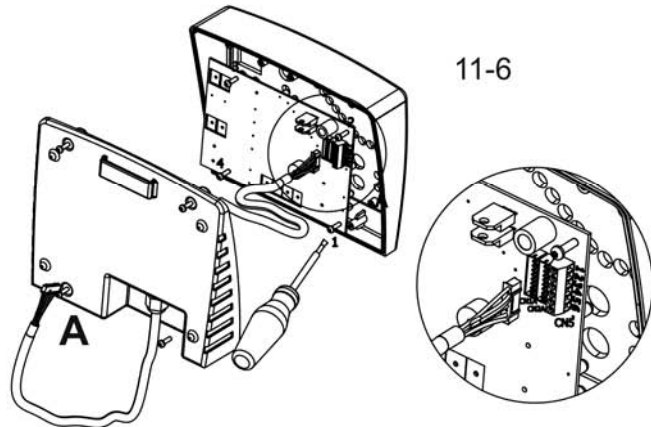
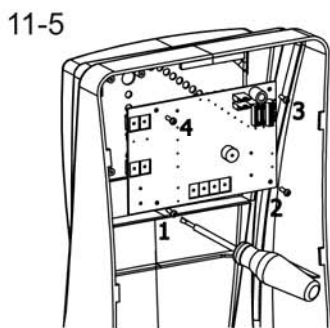
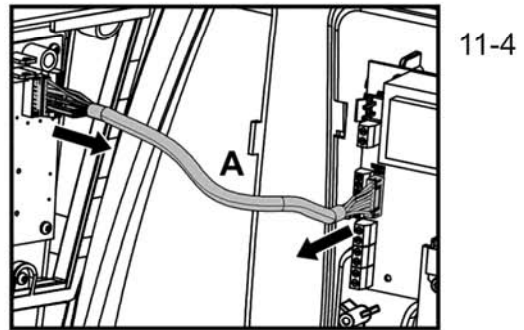
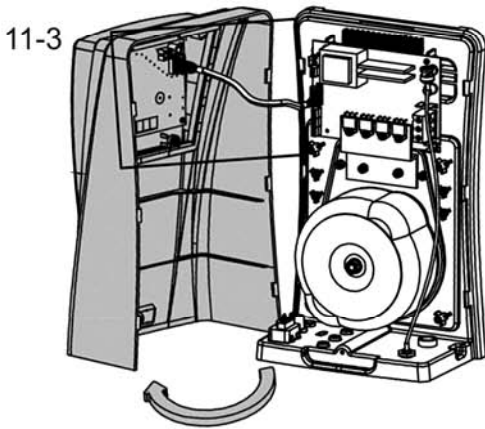
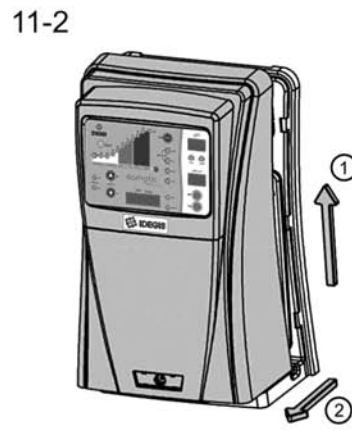
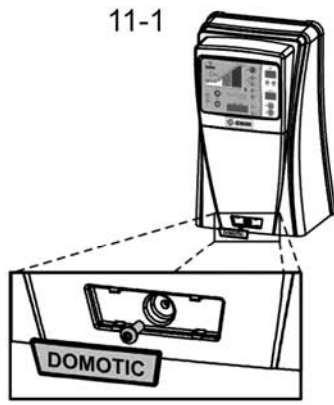
- Verwenden Sie zur Reinigung einen leicht angefeuchteten Lappen.
- Setzen Sie keine aggressiven Reinigungsmittel (Chlorlauge, Sprays, Lösungsmittel, Alkohol, usw.) ein.

Die Steuertafel ist für die Montage an einer festen Wand konstruiert. Dank ihrer Dichtheitsklasse (IP 65) kann sie außen installiert werden. Dennoch ist es empfehlenswert, die Steuertafel keiner direkten Sonneneinstrahlung auszusetzen. Verfahren Sie zur Montage der Steuertafel wie folgt:

1. Nehmen Sie das Gehäuse der Stromquelle ab, indem Sie die Befestigungsschraube (Abb. 11-1) herausdrehen und durch Bewegung nach oben und nach außen entnehmen (Abb. 11-2). Drehen Sie danach das Gehäuse nach links (Abb. 11-3) und trennen Sie das Verbindungskabel (A) der beiden Anschlusskarten der Stromversorgung und der Anzeige ab (Abb. 11-4).
2. Indem Sie die vier Befestigungsschrauben herausdrehen (Abb. 11-5).
3. Montieren Sie jetzt die Steuertafel (Abb. 11-6). Ziehen Sie hierfür das neue Anschlusskabel (A) durch die an der Grundplatte der Steuertafel angebrachte Stopfbuchse und schließen Sie diese an jedwedem der zwei Anschlüsse der Karte der Anzeige (CN1A, CN2A) an. Befestigen Sie mithilfe der vier mitgelieferten Schrauben die Frontplatte mit der Anzeige an der Grundplatte der Steuertafel.
4. Führen Sie das freie Ende des Verbindungskabels durch die AUX 2-Öffnung der Grundplatte der Stromquelle (Abb. 11-7 und 11-8) und verbinden Sie es mit dem Anschlussstück CN10A/CN11A der Karte der Stromversorgung (Abb. 11-9). Installieren Sie das Gehäuse der Stromquelle wieder an seinem Ort.(Abb. 11-7).
5. Befestigen Sie die Wandhalterung (siehe Abschnitt 8) an der gewählten Stelle und hängen Sie die Steuertafel an dieser Halterung auf.

4.7. Anschluss PoolStation





4.8. Steuerungen und Anzeigeleuchten

Die DOMOTIC Series Salzelektrolysesysteme sind mit einer auf der Vorderseite befindlichen Steuertafel ausgestattet (Abb. 15, 16, 16b).

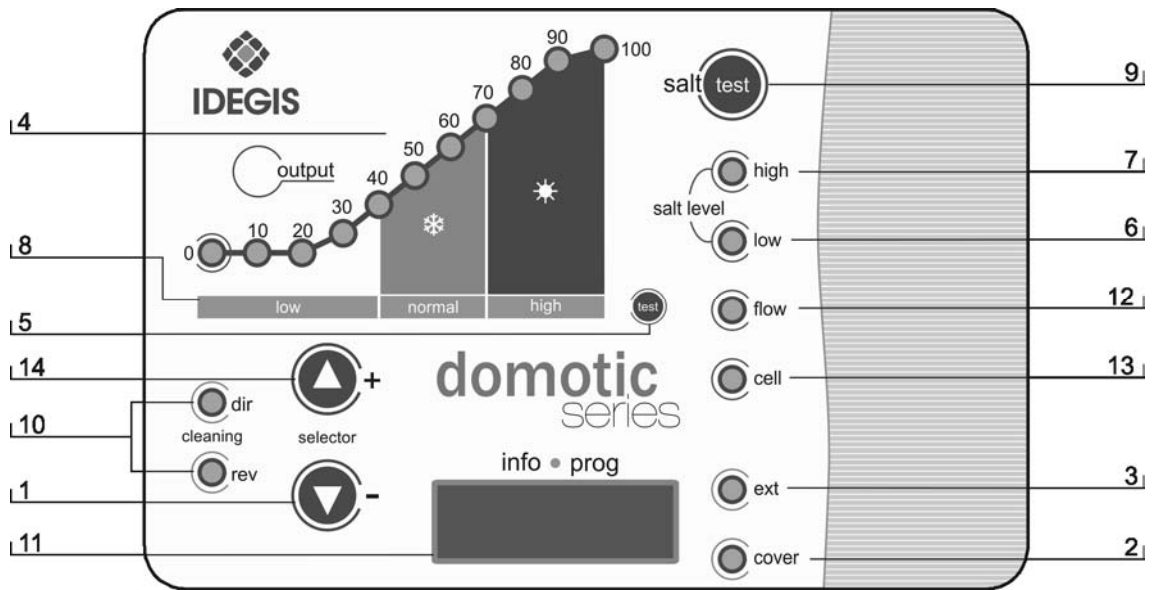


Abb. 15. Steuertafel modelle DOM-XX.

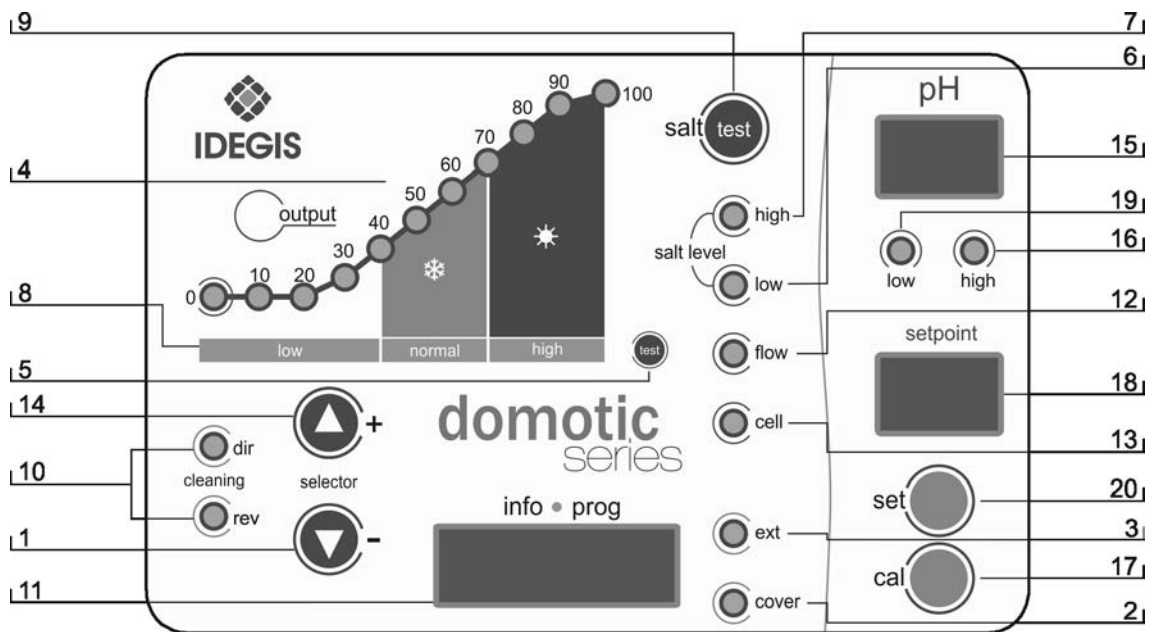


Abb. 16. Steuertafel modelle DOM- XX PH.

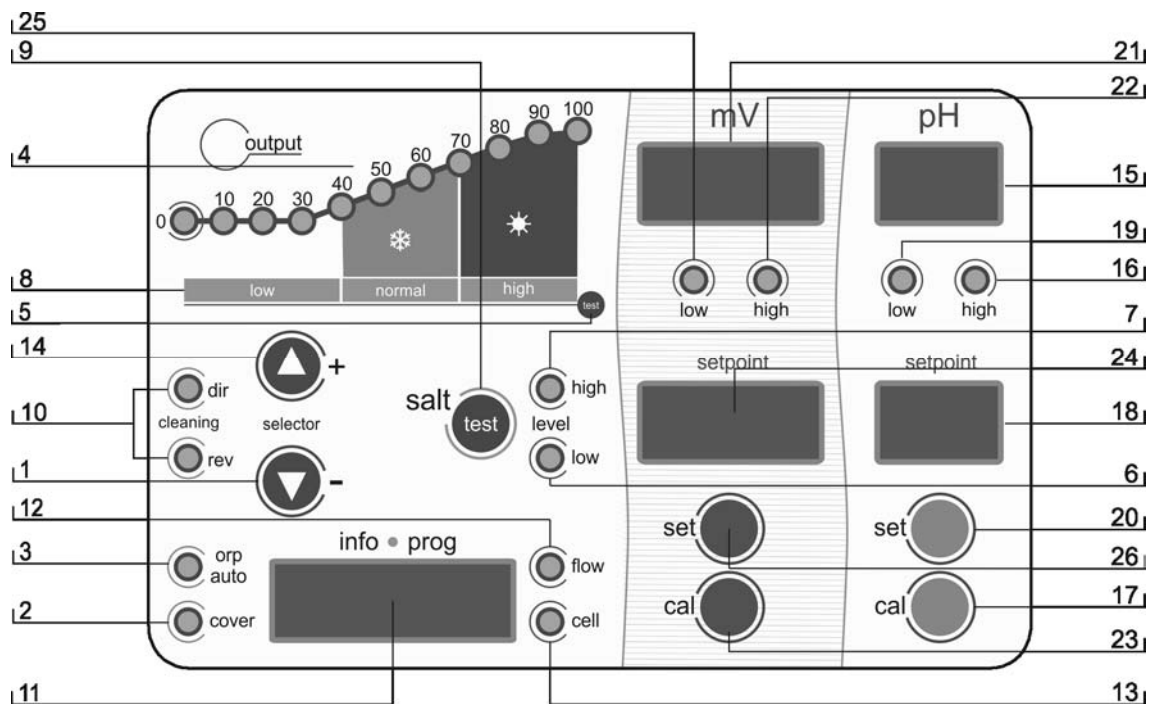


Abb. 16b. Steuertafel modelle DOM- XX PLUS.

- | | |
|---|--|
| <ol style="list-style-type: none"> 1. „▼“Taste (Produktion senken / Bewegen in den Programmiermenüs des Systems) 2. Kontrollanzeiger AUTOMATISCHE ABDECKUNG eingeschaltet 3. ORP KONTROLL anzeiger eingeschaltet 4. Produktionsskala (%) 5. Salzttestskala 6. Anzeiger NIEDRIGER SALZGEHALT 7. Anzeiger HOHER SALZGEHALT 8. SALZGEHALT-Skala (qualitativ) 9. Taste für „SALZGEHALTSTEST“ 10. SELBSTREINIGUNGSanzeiger (DIREKTE / UMKEHRPOLARITÄT) 11. Systeminformationsbild 12. FLUSSALARM-Anzeiger 13. ELEKTRODENALARM-Anzeiger passiviert | <ol style="list-style-type: none"> 14. „▲“ Taste (Produktion erhöhen / Bewegen in den Programmiermenüs des Systems) 15. Anzeigebild Wasser-pH-Wert 16. ALARManzeiger pH HOCH (>8,5) 17. Taste für pH KALIBRIERUNGSMODUS 18. Anzeiger programmierter pH-Wert 19. ALARManzeiger pH NIEDRIG (< 6,5) 20. Taste zur Programmierung des gewünschten pH-Werts 21. Anzeigebild Wasser-ORP-Wert 22. ALARManzeiger ORP HOCH (>850 mV) 23. Taste für ORP KALIBRIERUNGSMODUS 24. Anzeiger programmierter ORP-Wert 25. ALARManzeiger ORP NIEDRIG (< 650 mV) 26. Taste zur Programmierung des gewünschten ORP-Werts |
|---|--|

Außer den grundlegenden Aufgaben besitzen die DOMOTIC Series Salzelektrolysesysteme drei Eingänge für spannungsfreie Kontakte, an die zusätzliche externe Kontrollvorrichtungen angeschlossen werden können. Diese Eingänge befinden sich am Schalter **[CN7]** des Hauptkreislaufs des darunter befindlichen Geräts (Abb. 17).

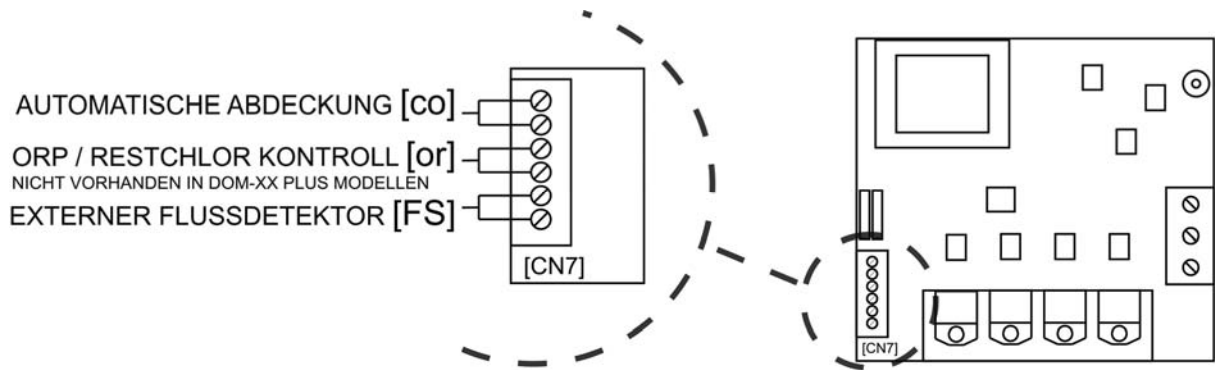


Abb. 17

Die diesen beiden Eingängen zugeordnete Logik kann während der Systemkonfiguration programmiert werden (siehe Abschnitt 5.2)

- **[FS] Kontrolle EXTERNER FLUSSDETEKTOR (optional - nicht im Lieferumfang enthalten):** Eingang für spannungsfreien Kontakt. Öffnet sich der an diesen Eingang angeschlossene Kontakt (externer Flussdetektor im Ruhezustand), und wurde der [FS]-Eingang bei der Systemkonfiguration als **[FS1c]** eingestellt, so schaltet sich das Elektrolysesystem wegen Flussalarm aus. Kabel des externen Flussdetektors an den entsprechenden Eingang **[FS]** auf der Hauptkontrollkarte der Einheit + anschließen.

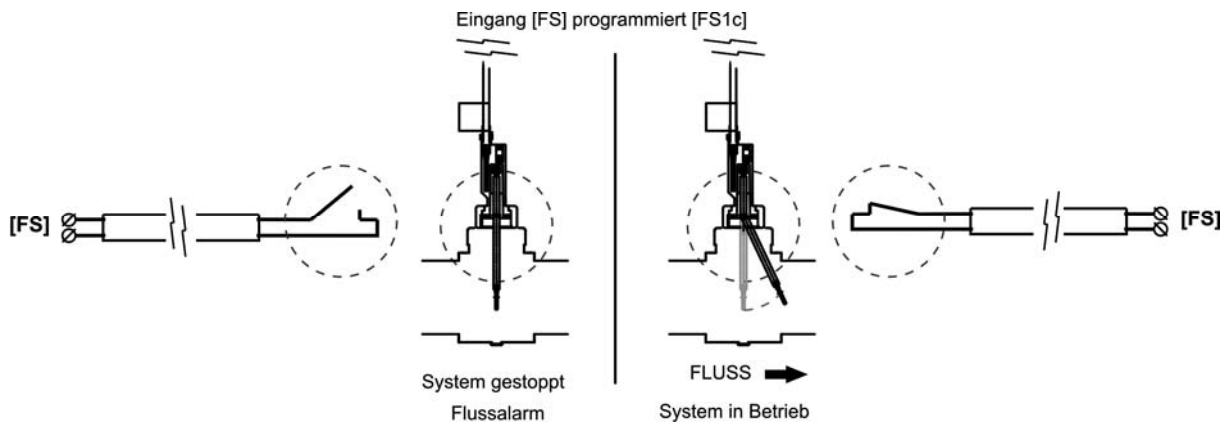


Abb. 18

- **[co] Kontrolle AUTOMATISCHE ABDECKUNG:** Eingang für spannungsfreien Kontakt. Mit diesem Eingang kann je nach Zustand des daran angeschlossenen Kontakts auf der elektrischen Steuertafel der automatischen Abdeckung eine Senkung des Ausgangsstroms des Geräts auf einen Prozentsatz seines Nennwerts programmiert werden.

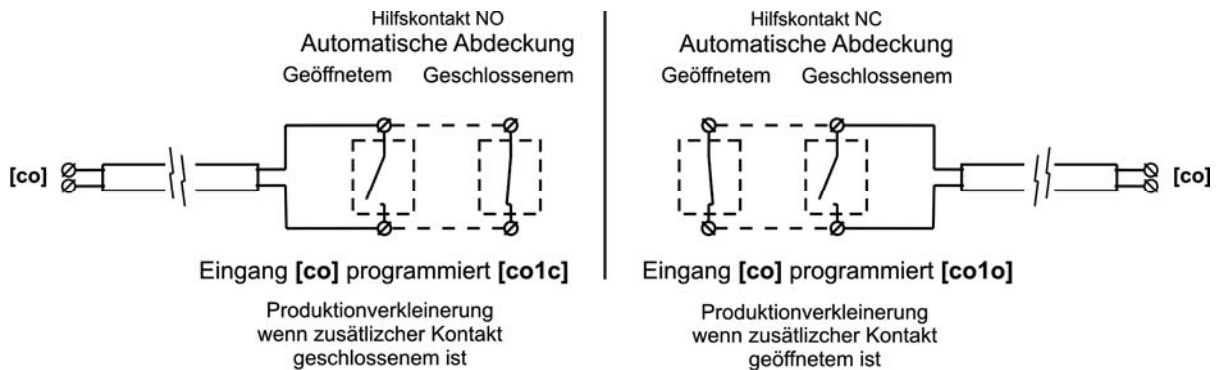


Abb. 19

- **[or] ORP / RESTCHLOR kontroll (nicht vorhanden in DOM-XX PLUS Modellen):** das System verfügt über einen zusätzlichen Hilfeingang für einen spannungsfreien Kontakt. Dieser Eingang kann verwendet werden, damit das Elektrolysesystem mit einem externen Controller (ORP, RESTCHLOR, FOTOMETER, usw.) geschaltet werden kann. Hierfür genügt es, zwei Leitungsadern vom spannungsfreien Kontakt am externen Steuergerät zum entsprechenden Eingang [or] zu führen, der sich an der Hauptsteuerkarte des DOMOTIC-Serie-Geräts befindet.

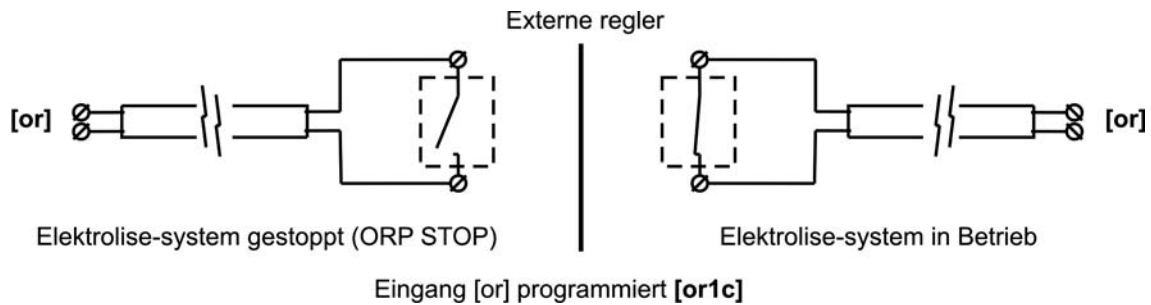


Abb. 20

4.9. Inbetriebnahme

1. Vergewissern Sie sich, dass der Filter 100% sauber ist und dass im Pool und in der Anlage kein Kupfer, Eisen oder Algen vorhanden sind, wie auch dass jede eingerichtete Heizanlage mit der Anwesenheit von Salz in Wasser kompatibel ist.

2. Schwimmbadwasser ausgleichen. So wird die Wasserpflege wirkungsvoller mit einem kleinerem Gehalt an freiem Chlor im Wasser, dies erhöht auch die Lebensdauer der Elektroden und vermindert die Kalkablagerungen im Pool.

a) Der pH-Wert muss zwischen 7.2 und 7.6 liegen.

b) Die Gesamtalkalinitätswerte sollten bei 60-120 ppm liegen.

3. Obwohl das DOMOTIC Serie System bei einem Salzgehalt von 4 - 6 g/l arbeiten kann, sollte der empfohlene Mindestsalzgehalt von 5 g/l durch Beigabe von 5 kg pro m³ Wasser eingehalten werden, wenn das Wasser vorher kein Salz enthalten hat. Verwenden Sie immer nur gewöhnliches Salz (Natriumchlorid), ohne Zusatzstoffe wie Jodverbindungen oder Pudermittel, das zum menschlichen Verbrauch geeignet. Direkt in den Pool oder in das Ausgleichsgefäß geben (weit von den Pool Abfluß).

4. Wenn Sie das Salz hinzugegeben haben und den Pool gleich nutzen wollen, muss eine Chlorbehandlung vorgenommen werden. Als Anfangsdosierung können 2 g./m³ Trichlorisocyanursäure hinzugefügt werden.

5. Bevor Sie den Arbeitszyklus in Gang setzen, ist es ratsam das Netzgerät auszuschalten und die Pumpe der Filteranlage während 24 Stunden lang laufen zu lassen, so dass das Salz sich vollständig auflösen kann. In dieser Zeit sollte die Wasserabsaugung nur durch die Senke erfolgen, denn dies beschleunigt die Salzauflösung.

6. Darauf die Salzelektrolyse-Anlage in Gang setzen und die Leistungsstufe so einstellen, dass die Werte des freien Chlores sich im empfohlenen Rahmen halten (0.5 - 1.5 ppm).

HINWEIS: Um den Stand des freien Chlors feststellen zu können ist ein Analysenkit zu verwenden.

7. Bei Schwimmbäder mit einer hohen Sonnenbestrahlung oder mit einer intensiven Nutzung, sollten die Stabilisierungsmittel-Werte (Isocyanursäure) bei 25-30 g./m³ gehalten werden. Auf keinen Fall ist ein Stand von 75 g./m³ zu überschreiten. Dies ist sehr hilfreich um die Vernichtung des freien Chlors im Wasser, anwesend durch die Einwirkung des Sonnenlichtes, zu vermeiden.

5. BETRIEB:



5.1. Gestopptes System

Das System schaltet auf „WARTEZUSTAND“, wenn die „▼“ [1] Taste so oft gedrückt wird, bis die „0 %“ LED blinkt. In dieser Situation erfolgt keine Produktion in der Elektrolysezelle.

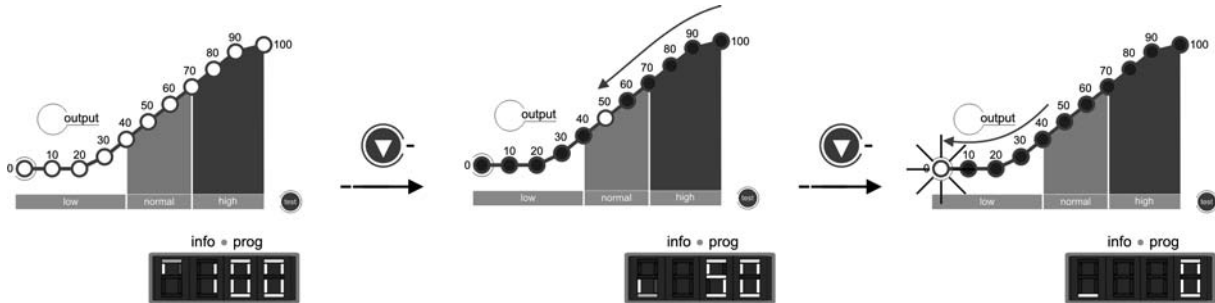


Abb. 21

5.2. Systemkonfiguration

Das DOMOTIC Series System kann über ein von der Steuertafel aus zugängliches Menü neu konfiguriert werden. Zum Zugriff auf dieses Menü muss das System wie vorher wie im Abschnitt 5.1 beschrieben gestoppt werden. Sobald das System gestoppt ist, die „▼“ [1] Taste einige Sekunden drücken, bis auf dem Systeminformationsbildschirm [11] der Begriff „CONF“ erscheint. Um die Auswahl der einzelnen Menüoptionen einzuschalten, muss die „SALT TEST“ [9] Taste ca. 1 Sekunde lang gedrückt werden. Nachdem der gewünschte Parameter mit den „▼“ [1] / „▲“ [14], Tasten gewählt ist, muss er bestätigt werden, indem die „SALT TEST“ [9] Taste erneut 1 Sekunde lang gedrückt wird (siehe Abb. 23). Mit dem Konfigurationsprozess können folgende Betriebsparameter des Systems festgelegt werden:

MODELL	
SOFTWARE-VERSION	 Zeigt die Software-Version (zwei Zahlen) an
POLARITÄTSWECHSEL	<p>Alle 2 Stunden Umkehr ⁽²⁾ Alle 3 Stunden Umkehr Alle 2 Minuten Umkehr ⁽¹⁾</p>
EINSTELLUNG AUSGANGSSTUFE BEI GESCHLOSSENER ABDECKUNG	<p>Das System kann konfiguriert werden, um einen Ausgang zur Zelle im Bereich 10 ... 90% seiner Nennkapazität zu bieten, wenn die Schwimmbadabdeckung geschlossen ist.</p>
EINSCHALTUNG KONTROLLEINGANG ABDECKUNG	<p>Ausgeschaltet Eingang eingeschaltet mit geschlossenem Kontakt ⁽²⁾ Eingang eingeschaltet mit geöffnetem Kontakt</p>
EINSCHALTUNG KONTROLLEINGANG ORP/ RESTCHLOR	<p>Ausgeschaltet (MANUELL) ⁽²⁾ Elektrolysesystem eingeschaltet mit geschlossenem Kontakt (AUTO) ⁽³⁾</p>
EINSCHALTUNG GASDETEKTOR	<p>Ausgeschaltet Elektrolysesystem eingeschaltet mit eingetauchtem Detektor ⁽²⁾</p>
EINSCHALTUNG EXTERNER FLUSSDETEKTOR (FLUSSSCHALTER)	<p>Ausgeschaltet ⁽²⁾ Elektrolysesystem eingeschaltet mit geschlossenem Kontakt</p>

⁽¹⁾ **ACHTUNG:** Diesen Modus ausschließlich für Überprüfungstätigkeiten und kurzzeitig einsetzen, da die Elektroden Schaden nehmen können. Nach dem Abschalten verlässt das System diese Betriebsart automatisch.
⁽²⁾ Vom Werk programmierte Vorgabewerte.
⁽³⁾ Programmierte Vorgabewerte in DOM-XX Plus Modellen.

Abb. 22

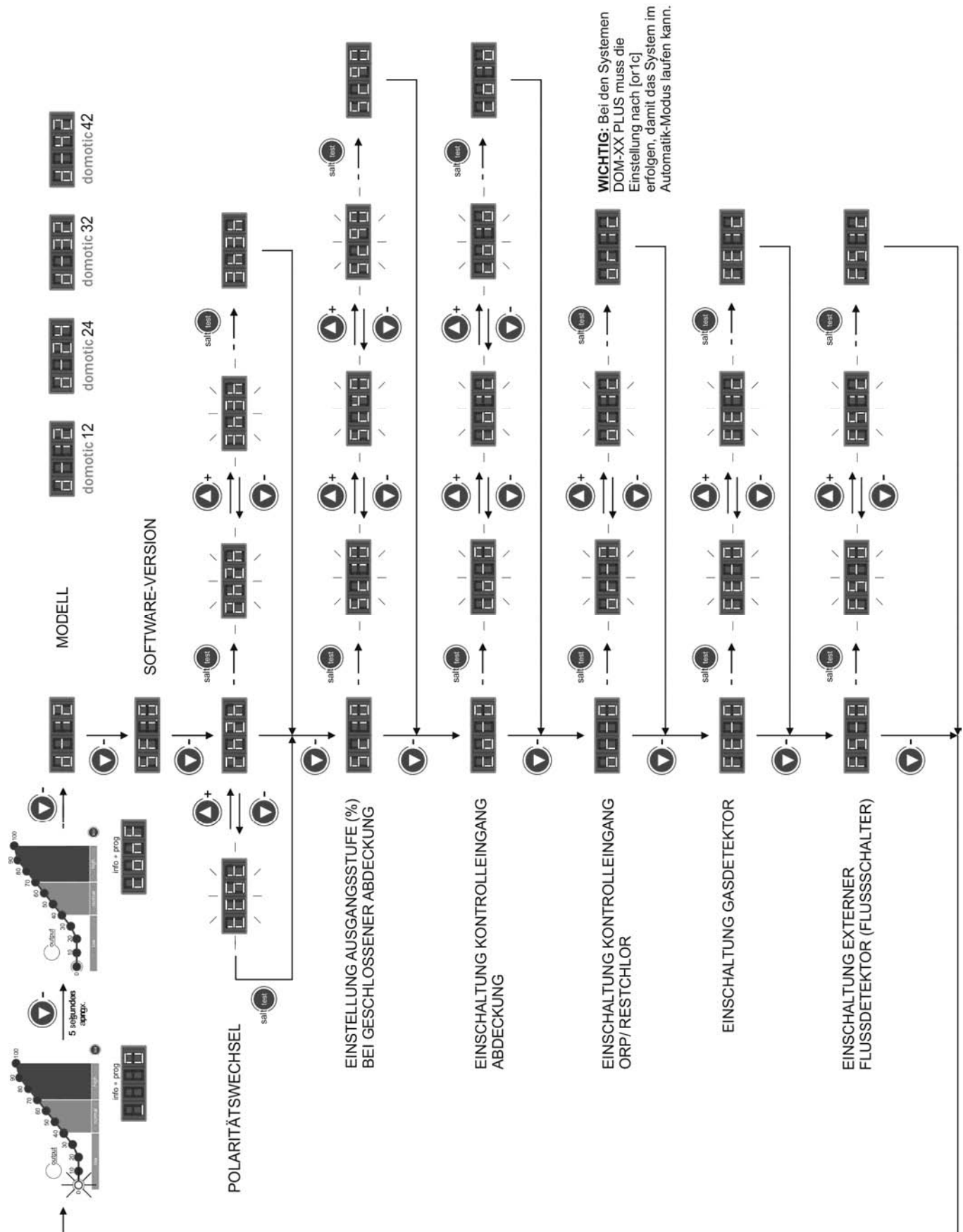


Abb. 23 Systems-ProgrammierungsFlussdiagramm

5.3. Auswahl Produktionsstufe

Um die gewünschte Produktionsstufe zu wählen, nacheinander die Tasten „▼“ [1] / „▲“ [14] drücken, bis die Led für die gewünschte Produktionsstufe blinkt. Das Systeminformationsbild [11] zeigt den Wert der Leds an, die der Produktionsstufe [4] entspricht. Nach einigen Sekunden setzt das System seine Produktion auf die gewählte Stufe.

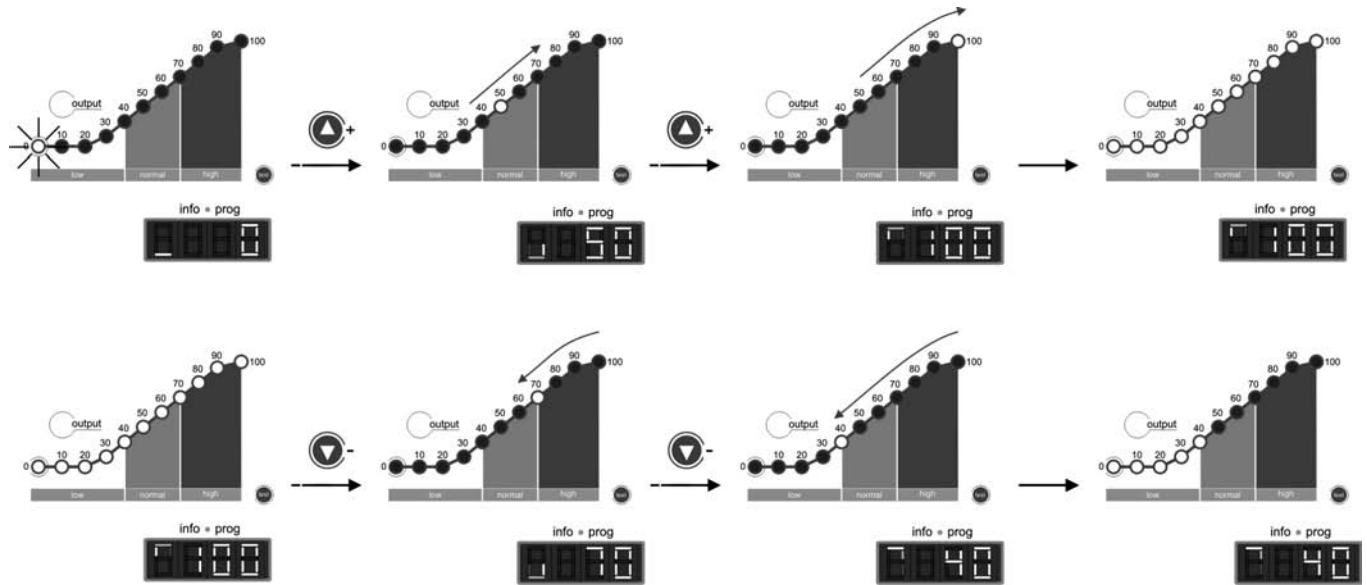



Abb. 24

In Normalzustand stimmt der Produktionswert [4] mit dem programmierten Wert überein. Hat das Wasser jedoch einen Salzgehalt außerhalb der Bandbreite („HIGH SALT“ [7] oder „LOW SALT“ [6] Alarm aktiv), oder besteht ein Problem mit der Elektrolysezelle („CELL“ [13] Alarm aktiv), könnte der erreichte Produktionswert [4] unter dem programmierten und auf dem Bildschirm [11] angezeigten Wert liegen.

 **WINTER Modus:** während der Zeiträume mit niedriger Wassertemperatur ein Produktionsniveau [1] zwischen 50-60% auserwählt.

5.4. Salzgehaltstest

Die DOMOTIC Series Systeme besitzen ein integriertes System, um den Salzgehalt des Schwimmbadwassers festzustellen. Um diesen Test ausführen zu können, muss die Taste „SALT TEST“ [9] gedrückt werden. Während der Testdurchführung schwankt die Anzeige-LED der Produktion zwischen 20 % - 80 % der Salzgehaltsskala [5], und zeigt auf dem Systeminformationsbildschirm [11] abwechselnd den Text „SALT“ und „TEST“ an. Nach beendetem Test blinkt die LED einige Sekunden lang auf Skala [5] über dem festgestellten Salzgehalt (siehe Abb. 25). Nach einigen Sekunden kehrt das Gerät auf seinen normalen Betriebsmodus zurück.

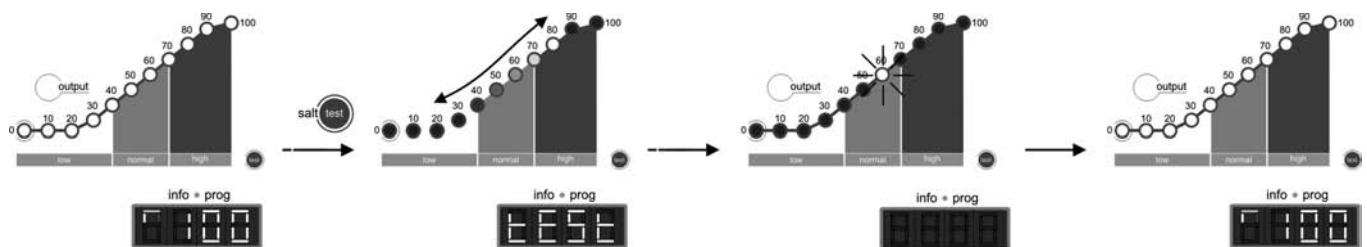


Abb. 25

Möglicherweise zeigt das System Salzwerke unter den tatsächlichen Werten an, wenn die Temperatur unter 20 °C liegt.

5.5.4. PROGRAMMIERUNG DES GEWÜNSCHTEN ORP-WERTS

„SET“ [26] Taste gedrückt halten bis auf der Informationsbild der gewünschte ORP-Wert [24] innerhalb der Bandbreite von 600 - 850 mV erscheint. Sobald er gewählt ist, Taste loslassen.

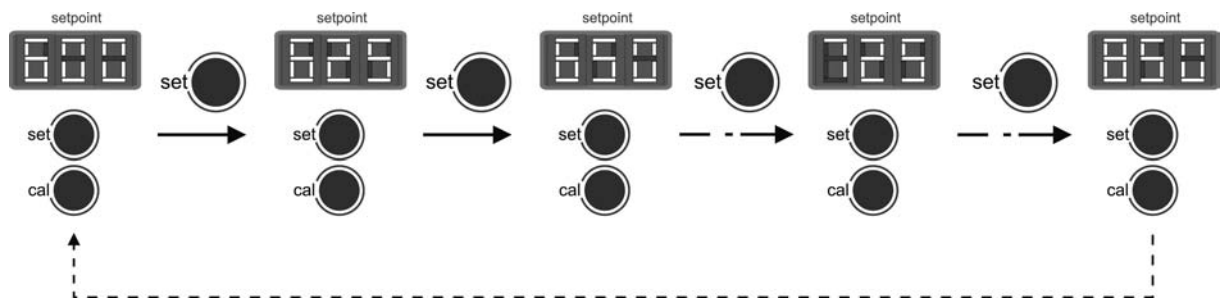


Abb. 27b

5.5.5. SICHERHEITSTOPP CONFIGURATION DER DOSIERUNGSPUMPE (PUMP-STOP-FUNKTION)

Der integrierte pH-Controller ein Sicherheitssystem verfügt, das den folgenden Situationen kann vermieden werden:

- Schäden durch Trockenlauf der Pumpe (abgereichertes pH-minus Produkt) verursacht.
- Überdosierung von pH-Minus-Produkt (Beschädigte oder gealterte Sensor).
- PH Regulierung Probleme aufgrund der hohen Alkalinität im Wasser (neu gefüllt Pool, hoher Carbonat-Konzentration).

Wenn die Pumpe-STOP-Funktion aktiviert ist (Werkseinstellung), das System der Dosierpumpe nach einer programmierten Zeit ohne Erreichen der pH-Sollwert stoppt.

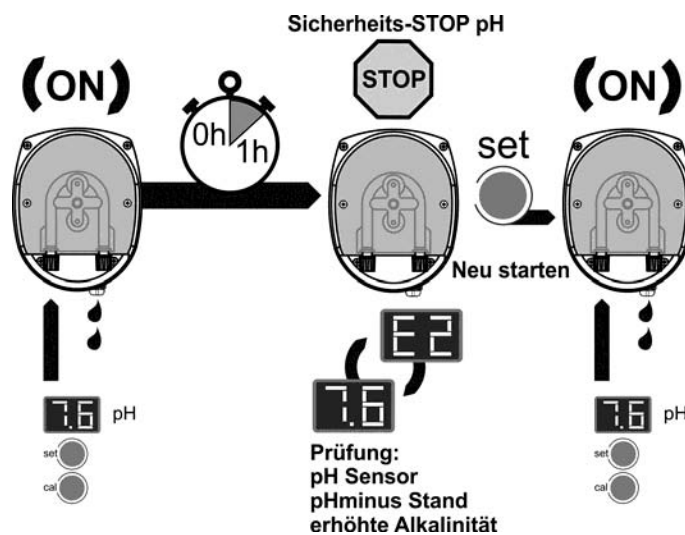


Abb. 27c.

Die PUMP-STOP FUNKTION ist werkseitig auf 60 Minuten eingestellt. Um diesen Wert zu ändern, befolgen Sie die folgenden Verfahrenen.

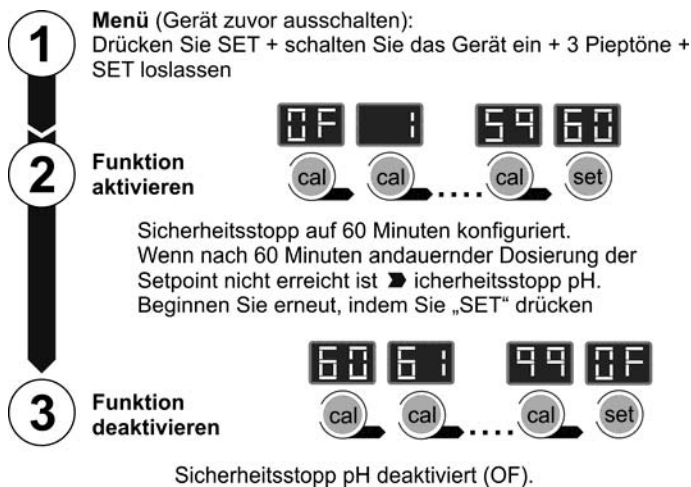


Abb. 27d.

5.6. ALARMMELDUNGEN

- **HOHER SALZWERT**

Wurde zu viel Salz zugegeben, senkt die Versorgungsquelle automatisch die Produktionsstufe im Vergleich zum gewählten Wert. Die LED „HIGH SALT“ [7] leuchtet weiter. In diesem Fall muss ein Teil des Schwimmbads (zum Beispiel 10 %) geleert und frisches Wasser hinzugefügt werden, um die Salzkonzentration zu senken. Um den Salzgehalt genau festzustellen, empfehlen wir ein tragbares Salzgehalt- / Temperaturmessgerät.

- **NIEDRIGER SALZWERT**

Sollte der Salzgehalt des Schwimmbadwassers unter dem empfohlenen Wert liegen, kann die Versorgungsquelle nicht den gewählten Ausgangswert erreichen. Die LED „LOW SALT“ [6] leuchtet weiter. In diesem Fall muss der Salzgehalt des Wassers festgestellt und die notwendige Salzmenge zugesetzt werden. Das für die Salzelektrolyse geeignete Speisesalz (NaCl) darf keine Zusatzstoffe (gegen Verklumpung, Jodid) enthalten und muss für den Verzehr geeignet sein. Möglicherweise zeigt das System niedrige Salzwerte an, wenn die Temperatur unter 20 °C liegt. Um den Salzgehalt genau festzustellen, empfehlen wir ein tragbares Salzgehalt- / Temperaturmessgerät.

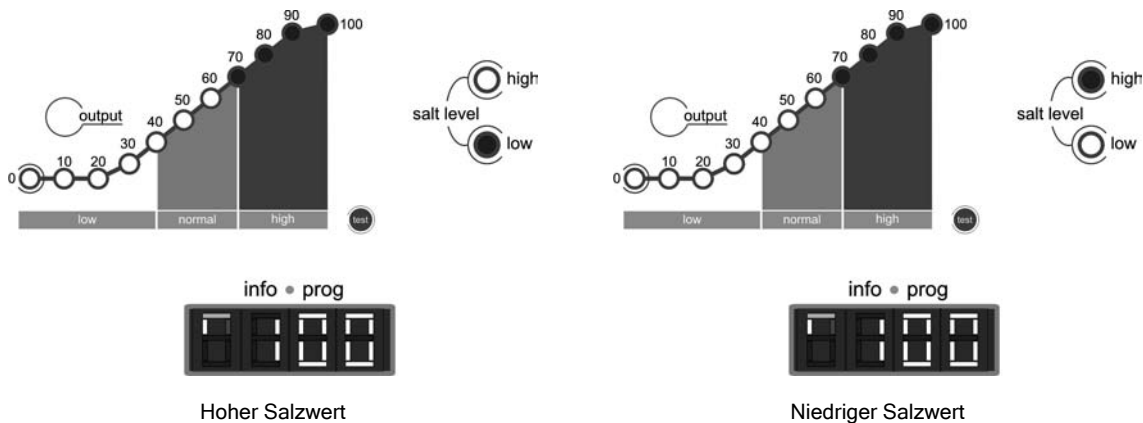
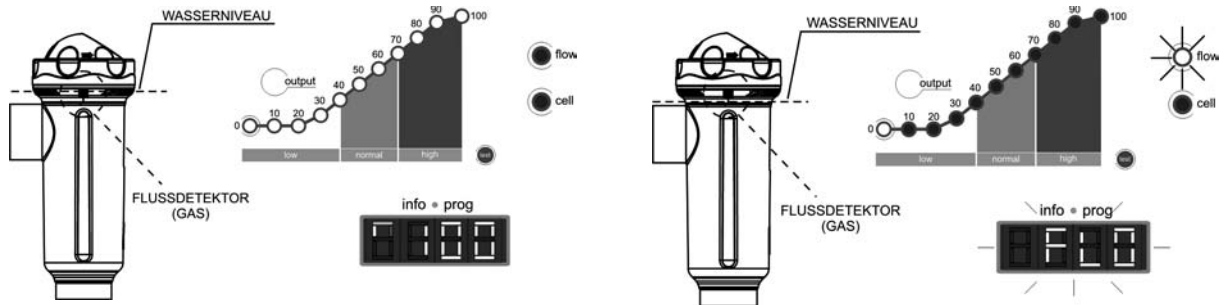


Abb. 28

- **WASSERSTAND IN DER ZELLE / FLUSSDETEKTOR (GAS)**

Sollte sich eine Luft- oder Gasblase im oberen Teil der Elektrolysezelle bilden und der FLUSSDETEKTOR nicht eingetaucht sein, schaltet das System automatisch die Produktion ab. Die LED „FLOW“ [12] blinkt und außerdem erscheint die Meldung „FLO“ auf dem Informationsbild des Systems [11]. Sobald der Wasserstrom durch die Zelle wieder hergestellt oder die Luftblase entwichen ist, startet das System automatisch neu.



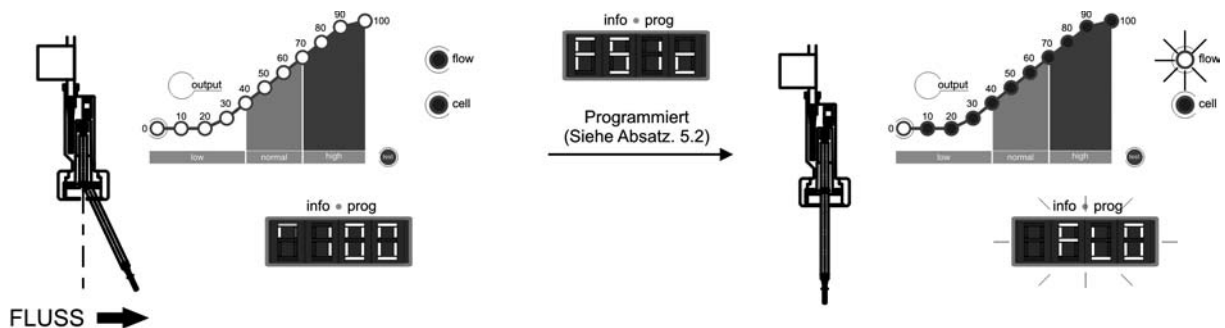
1. Gasdetektor eingetaucht. System in Betrieb.

2. Gas entdeckt. System gestoppt.

Abb. 29

- **EXTERNER FLUSSDETEKTOR / FLUSSSCHALTER (optional - nicht im Lieferumfang enthalten)**

Wird beim Konfigurationsvorgang des Systems (Abschnitt 5.2) der Eingang für den externen Flussschalter, aktiviert, schaltet das System automatisch die Produktion ab. Das Led „FLOW“ [12] blinkt und außerdem erscheint die Meldung „FLO“ auf dem Informationsbild des Systems [11]. Sobald der Wasserstrom durch den Flussschalter wieder hergestellt ist, startet das System automatisch neu.



1. Einschalteter Flussschalter (geschlossener Kontakt) System in Betrieb.

2. Einschalteter Flussschalter (geöffnetem Kontakt) System gestoppt.

Abb. 30

- **ELEKTRODEN**

Das DOMOTIC Series System verfügt über eine Anzeige-LED der Elektrodenfehlfunktion der Elektrolysezelle [13]. Diese Fehlfunktion ist normalerweise durch die Passivierung der Elektroden bedingt, wenn ihre Lebensdauer abgelaufen ist. Dennoch kann diese Fehlfunktion, obwohl es sich um ein selbstreinigendes System handelt, durch übermäßige Verkrustung auf den Elektroden entstehen, wenn das System mit sehr hartem Wasser und hohem pH-Wert betrieben wird.

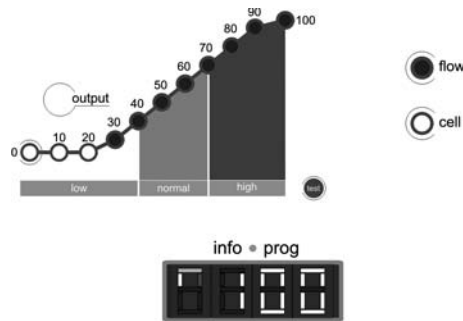


Abb. 31A

- **BETRIEBSZEIT (Firmware-Version 3.3.0 und nachfolgende Versionen)**

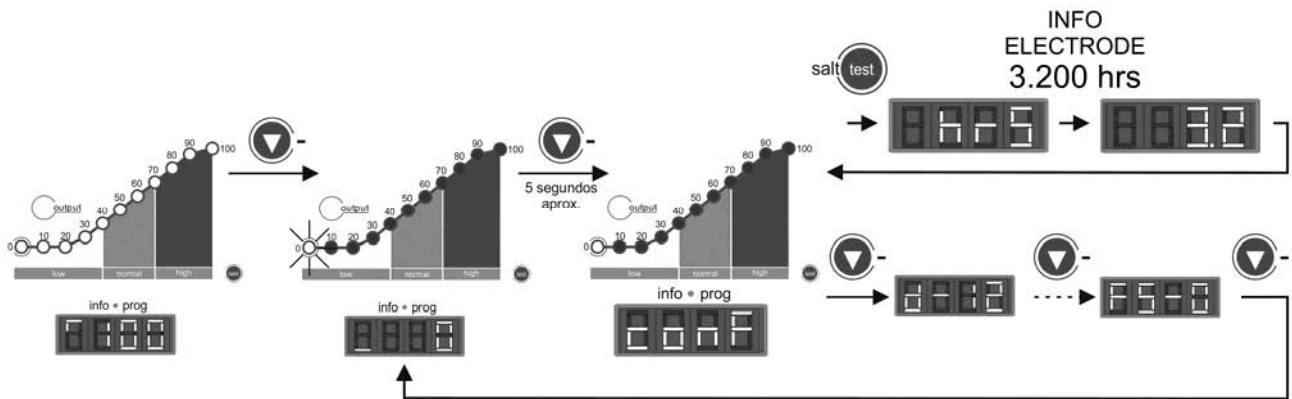


Abb. 31B

- **PH / ORP WERT AUSSERHALB DER BANDBREITE (modelle DOM-XX PH und DOM-XX PLUS)**

Die eingebaute pH-Kontrollvorrichtung besitzt zwei ALARM-Leds, die immer dann aufleuchten, wenn ein anomaler pH-Wert unter 6.5 „LOW“ [19] oder über 8.5 „HIGH“ [16], oder wenn ein anomaler ORP-Wert unter 600 mV „LOW“ [25] oder über 850 mV „HIGH“ [22]. Entdeckt das Regelgerät einen aktiven PH-Alarm, öffnet es den Kontrollausgang der Dosierungspumpe (pH).

6. WARTUNG:

6.1. Wartung der Elektrolysezelle

Die Elektrolysezelle muss in optimalen Zustand gehalten werden um eine lange Betriebsdauer zu garantieren. Die Salzelektrolyse-Anlage verfügt über ein Selbstreinigungssystem der Elektroden. So können Kalkablagerungen vermieden werden und die Elektroden müssen auch nicht gereinigt werden. Wenn es aber doch notwendig sein sollte, das Innere der Zelle zu reinigen, müssen folgende Schritte beachtet werden:

1. Stromversorgung 230 Vac der Anlage ausschalten.
2. Verschlusschraube am Ende, an dem sich die Elektroden befinden, lösen und Elektrodenpaket herausnehmen.
3. Eine in Salzsäure aufgelöste Lösung (ein Anteil Säure und 10 Anteil Wasser) verwenden und das Elektrodenpaket während 10 Minuten lang in diese Lösung tauchen.
4. DIE ZELLE UND DIE ELEKTRODEN NIEMALS AUFKRATZEN ODER BÜRSTEN.

Die Elektroden einer Salzelektrolyse-Anlage bestehen aus Titanplättchen mit einer Beschichtung aus Edelmetalloxiden. Der Elektrolyseprozess, der auf der Oberfläche der Elektroden stattfindet, bewirkt auf die Dauer einen Verschleiß, daher sollte man folgende Hinweise beachten, wenn man die Lebensdauer der Elektroden aufs möglichste verlängern will:

1. Obwohl die Salzelektrolyse-Anlage ein SELBSTREINIGENDES System ist, bei einem langandauernden Betrieb mit pH-Werten über 7,6 bei sehr hartem Wasser können Kalkablagerungen auf den Elektroden vorkommen. Wenn diese nicht entfernt werden, beschädigen sie die Beschichtung der Elektroden auf die Dauer und verkürzen somit die Lebensdauer.
2. Das Elektrodenpaket sollte nicht zu oft gereinigt werden, nach den oben angegebenen Anleitungen.
3. Wenn die Anlage während langer Zeit mit einem niedrigen Salzgehalt (3 g/l) in Betrieb ist, kann dies zu einer frühzeitigen Abnutzung der Elektroden führen.
4. Wenn häufig Algicide mit hohem Kupfergehalt verwendet werden, kann es sein, dass sich das Kupfer auf den Elektroden ablagert und so auf die Dauer deren Beschichtung schädigt. Das beste Algicid ist das Chlor.

6.2. Kalibrierung der pH-Sensor (modelle DOM-XX PH und DOM-XX PLUS)

Die Nachkalibrierungsfrequenz der Anlage muss für jeden Gebrauch neu bestimmt werden. Wir empfehlen die Kalibrierung wenigstens einmal im Monat während der Badeperiode des Schwimmbades durchzuführen. Der integrierte pH-Regler verfügt über zwei Kalibriermodi der pH-Sensor: „FAST“ (schnell) und „STANDARD“.

6.2.1. „FAST“-Modus

Mit dem „FAST“-Modus können Sie die pH-Sensor routinemäßig bei kleinen Abweichungen kalibrieren, **ohne dass dabei die Sensor aus der Anlage entfernt werden muss oder dazu Standardlösungen benutzt werden müssen.**

VORGEHEN:

1. Vergewissern Sie sich, dass die Stelle wo die Sensor eingeführt ist unter Wasser steht und das Wasser durch die Anlage fließt.
2. Mit einem pH-Messkit den gegenwärtigen pH-Wert im Schwimmbadwasser bestimmen.
3. „CAL“ [17] Taste ca. 5 sek. lang drücken bis das Gerät einen Pfeifton abgibt und Taste loslassen. Das pH-Anzeigebild [18] zeigt blinkend „7.0“.
4. Die „SET“-Taste [20] so lange gedrückt halten bis der vorhin mit dem Kit gemessene pH-Wert des Wassers erscheint. Danach die „CAL“-Taste [17] betätigen. Wenn kein Fehler aufgetreten ist, so ist die Anlage nun kalibriert.

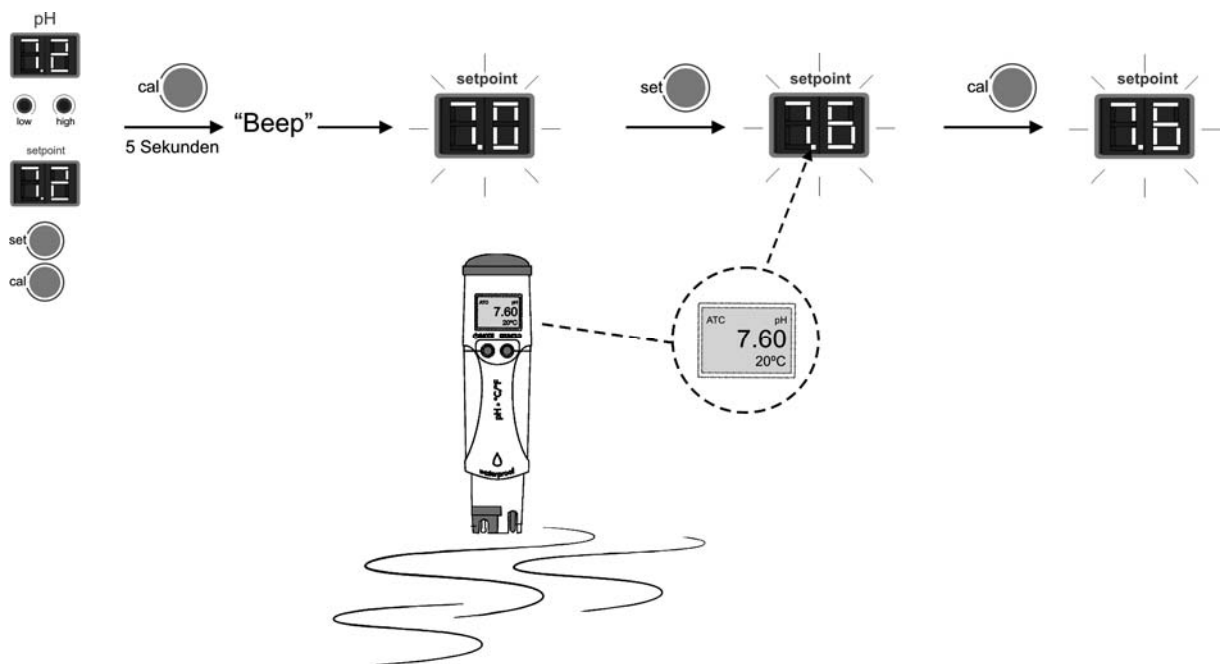


Abb. 32

6.2.2. „STANDARD“-Modus

Mit dem „STANDARD“-Modus kann die Sensor genau kalibriert werden, wobei man zwei Standardlösungen mit einem pH-Wert von 7,0 und 4,0 verwendet. Dazu muss aber die **Sensor aus der Anlage entfernt werden**.

VORGEHEN:

WICHTIG: Bevor die Bypass-Ventile geschlossen werden, muss das System von der Steuertafel aus gestoppt werden (siehe Abschnitt 5.1).

1. Die Sensor aus dem Sensornhalter nehmen und sie mit reichlich Wasser spülen.



Abb. 33

2. „CAL“ [17] Taste drücken, bis das Gerät einen Pfeifton abgibt. Ohne die Taste loszulassen, die „SET“ [20] Taste einige Sekunden lang drücken, bis auch das pH-Anzeigebild [15] blinkend „7.0“ anzeigt.
3. Sensor leicht schütteln, damit evtl. anhaftende Wassertropfen abfallen. In die pH-Musterlösung eintauchen 7.0 (grüne Farbe). Ein paar Sekunden lang leicht schütteln und die „CAL“ [17]. Taste drücken. Nachdem sich der Wert stabilisiert hat, blinkt auf dem Bildschirm [15] die Anzeige „4.0“.

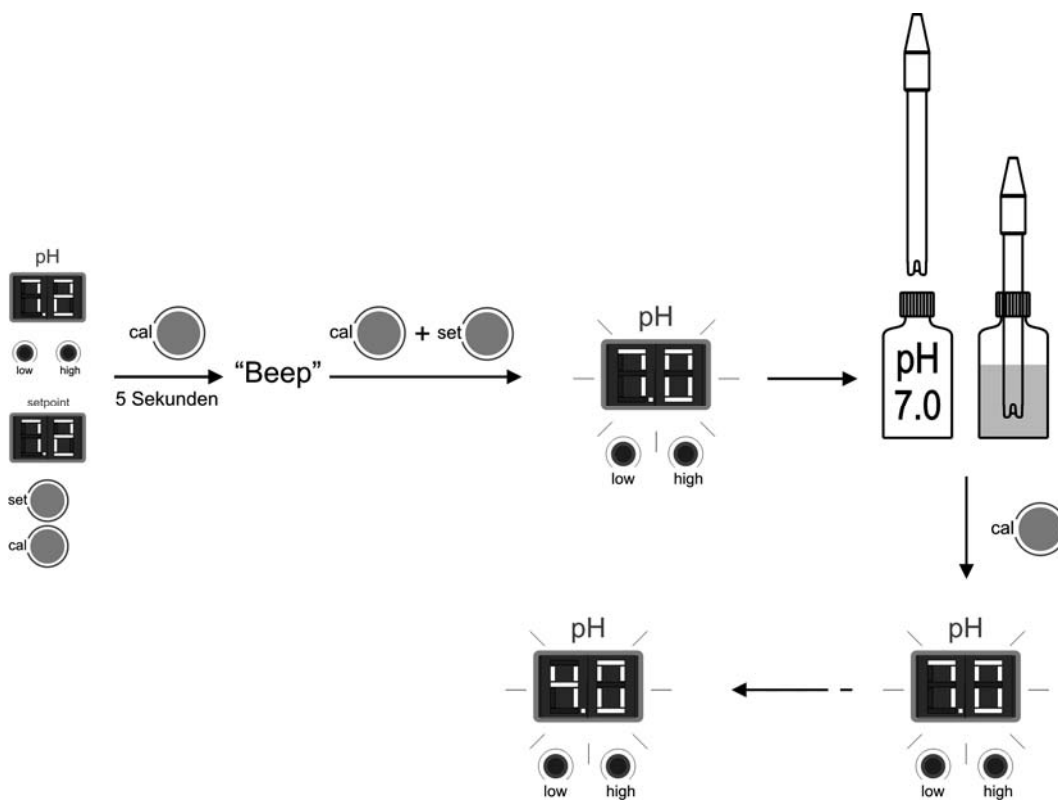


Abb. 34

4. Die Sensor aus der Lösung nehmen und mit reichlich Wasser spülen.
5. Die Sensor leicht schütteln damit das Wasser gut abtropft und sie in die Standardlösung mit pH = 4,0 eintauchen (rote Farbe). Während einigen Sekunden lang leicht schütteln und die Taste „CAL“ [17] betätigen. Wenn die Ablesung sich stabilisiert hat, stellt sich der Regler automatisch von Kalibriermodus auf den Normalmodus um.

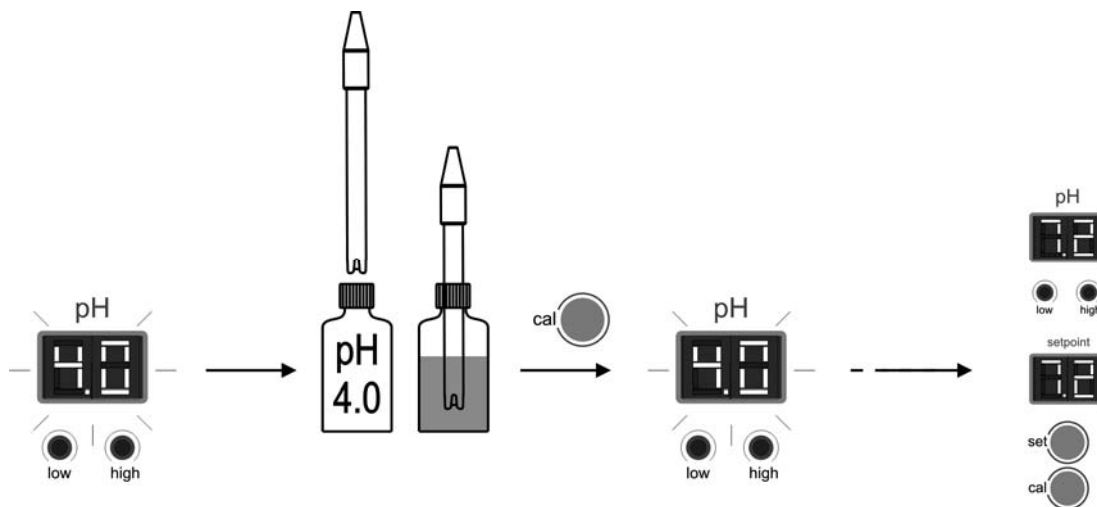


Abb. 35

FEHLERMELDUNGEN:



Wenn der Kalibrierungsprozess aus irgendwelchen Gründen unterbrocht wird, so stellt sich der Regler automatisch vom Kalibriermodus auf den Normalmodus um, wenn der Benutzer nicht nach wenigen Sekunden eingreift. In diesem Fall zeigt das obere Display [15] während einigen Sekunden „E1“ an.



Wenn der während der Kalibrierung gemessene pH-Wert sehr von dem erwarteten Wert abweicht (z.B. beschädigte Sensor, usw.), so wird im oberem Display [15] „E2“ angezeigt, ohne dass eine Kalibrierung der Sensor möglich ist.



Wenn der pH-Wert während dem Kalibrierungsprozess schwankend ist, so wird der Code „E3“ angezeigt. Auch hier kann die Sensor nicht kalibriert werden.

6.3. Kalibrierung der ORP-Sensor (DOM-XX PLUS)

Die Wiederkalibrierungsfrequenz der Anlage ist bei jeder Anwendung konkret festzulegen. Trotzdem empfehlen wir diese mindestens einmal monatlich während der Badezeit vorzunehmen. Der ORP-Regler verfügt über ein automatisches Kalibrierungssystem der ORP-Sensoren mittels der Benutzung einer Musterlösung von 470 mV.

VORGEHEN:

WICHTIG: Bevor die Bypass-Ventile geschlossen werden, muss das System von der Steuertafel aus ausgeschaltet werden (siehe Abschnitt 5.1).

1. Die Sensor aus dem Sensornhalter nehmen und sie mit reichlich Wasser spülen.

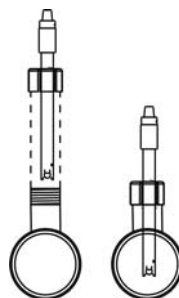


Abb. 36

2. Die „CAL“ [22]-Taste zwei Sekunden lang drücken, bis das ORP-Anzeigebild [20] blinkt und „470“ anzeigt.
3. Die Sensor leicht schütteln, so dass die möglicherweise übriggebliebenen Wassertropfen sich lösen, und anschliessend in die die Kalibrierungslösung (470 mV) geben. Während einiger Sekunden leicht schütteln und auf die Taste „CAL“ [22] drücken. Ist der

Kalibrierungsvorgang mit Erfolg beendet worden, so hört man einen anhaltenden „Beep“, wobei der Kalibrator kontrolliert und betriebsbereit ist.

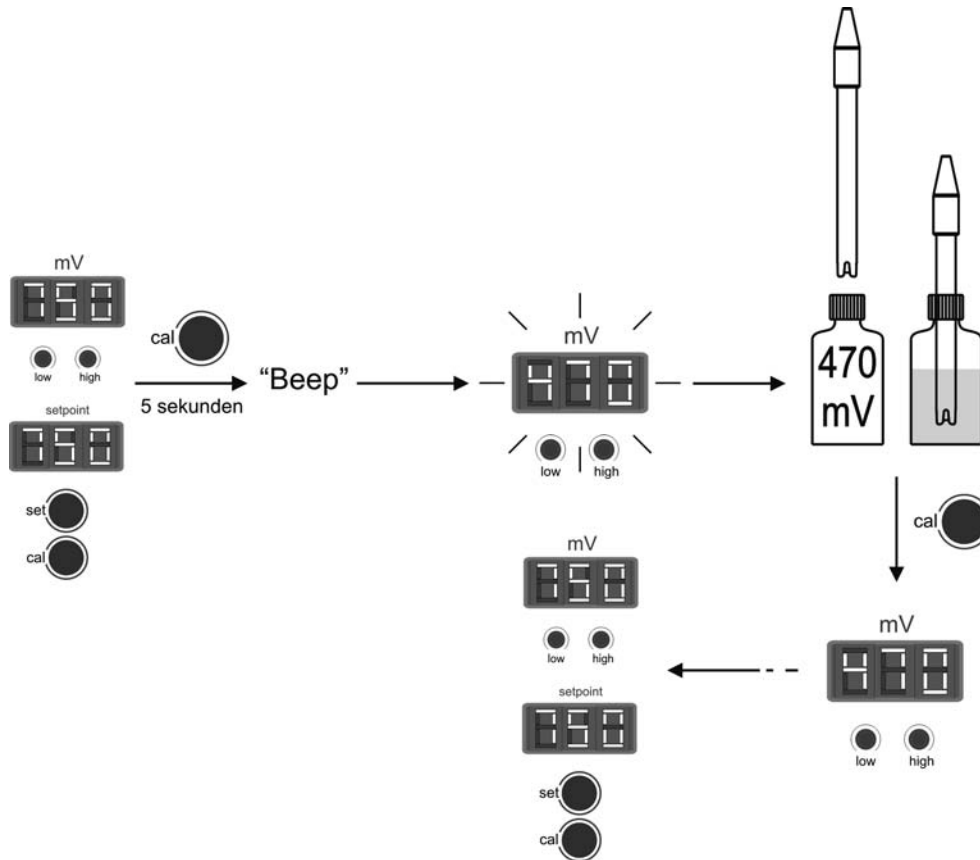
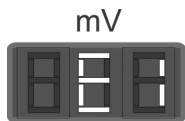
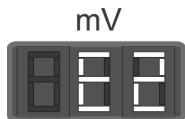


Abb. 37

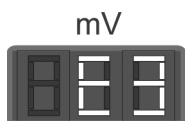
FEHLERMELDUNGEN:



Wenn der Kalibrierungsprozess aus irgendwelchen Gründen unterbrocht wird, so stellt sich der Regler automatisch vom Kalibriermodus auf den Normalmodus um, wenn der Benutzer nicht nach wenigen Sekunden eingreift. In diesem Fall zeigt das obere Display [21] während einigen Sekunden „E1“ an.



Wenn der während der Kalibrierung gemessene ORP-Wert sehr von dem erwarteten Wert abweicht (z.B. beschädigte Sensor, usw.), so wird im oberem Display [21] „E2“ angezeigt, ohne dass eine Kalibrierung der Sensor möglich ist.



Wenn der ORP-Wert während dem Kalibrierungsprozess schwankend ist, so wird der Code „E3“ angezeigt. Auch hier kann die Sensor nicht kalibriert werden.

6.4. Wartung der pH / ORP Sensoren

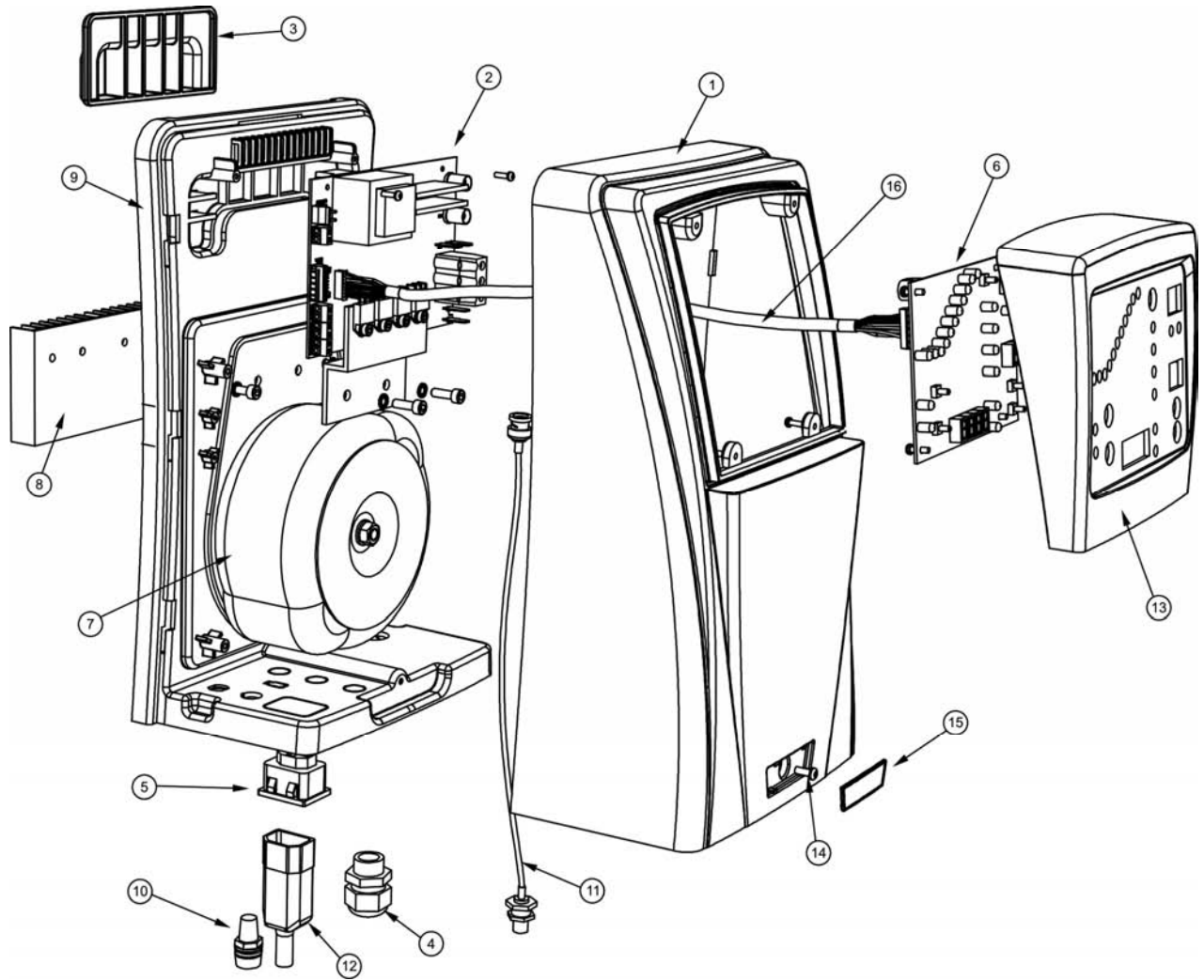
1. Die Membrane der Sensor muss immer feucht bleibe.
2. Wenn Sie die Sensor über längere Zeit nicht benutzen werden, sollten Sie sie in einer Konservierungslösung mit einem pH-Wert = 4,0 aufbewahren
3. Zur Reinigung der Sensor bitte keine Schleifmittel verwenden, die die Messfläche beschädigen könnten.
4. **Die pH/ORP sensor ist ein verbrauchbares Teil und wird über eine Zeitabschnitt ersetzt werden müssen.**

7. STÖRUNGEN / BEHEBUNG:

Bei jedem Eingriff zur Behebung einer Störung muss das Gerät vom Stromnetz getrennt werden. Zur Behebung jeglicher Störung, die in der folgenden Auflistung nicht enthalten ist, sollte ein Servicetechniker von IDEGIS hinzugezogen werden.

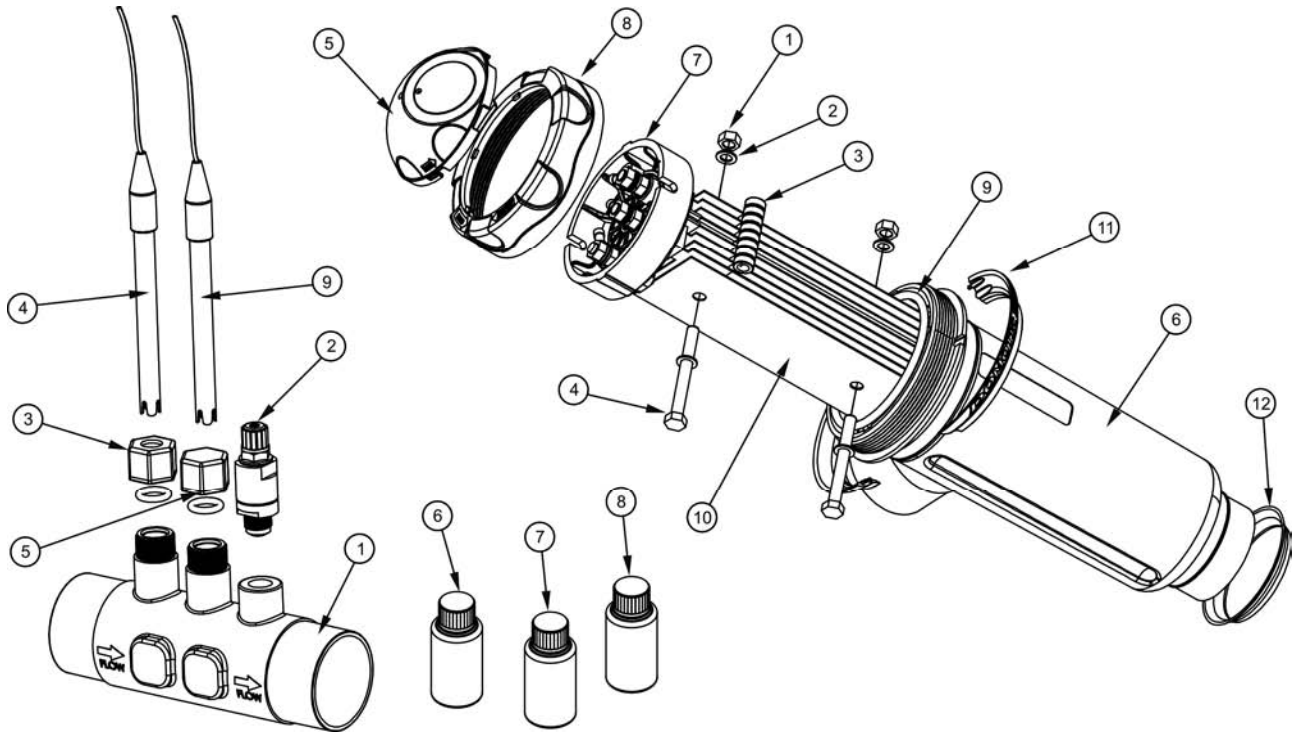
STÖRUNG	BEHEBUNG
<p>Der Produktionsanzeiger zeigt in allen gewählten Produktionsstufen immer „0“ an</p>	<p>Elektrodenzustand überprüfen. Elektrische Anschlüsse zwischen dem Netzgerät und der Elektrolysezelle überprüfen. Den Salzgrad prüfen.</p>
<p>Das Netzgerät schaltet sich nicht ein</p>	<p>Überprüfen, ob die Anlage genügend Stromzuführung hat (230 V / 50-60 Hz) über den Steuerkasten der Filteranlage. Sicherung am unteren Teil des Netzgerätes überprüfen.</p>
<p>Der Chlorspiegel im Wasser liegt zu tief</p>	<p>Überprüfen, ob das System im Rücklauf des Schwimmbads Chlor erzeugt. Überprüfen, ob die chemischen Parameter (pH, gebundenes Chlor, Isocyanursäure) korrekt sind. Filteranlage länger laufen lassen. Stabilisierungsmittel dazugeben (Isocyanursäure o) bis ein Gehalt von 25-30 g./m³ erreicht wird.</p>
<p>Die Anlage zeigt immer einen erhöhten pH/ORP-Wert an oder die Ablesung ist unregelmässig</p>	<p>Der Anschluss vom Kabel zur Sensor ist beschädigt. Kontakte reinigen oder Kabel ersetzen. Es besteht eine Luftblase bei der Membrane der Sensor. Sensor senkrecht stellen mit der Spitze nach unten. Leicht schütteln bis die Luftblase sich langsam nach oben bewegt. pH/ORP-Sensor ist beschädigt. Das Anschlusskabel ist zu lang oder ist zu nahe an den Störquellen (Motoren, usw.). Durch eine neue ersetzen. Anlage näher zur Sensor stellen.</p>
<p>PH-ORP Sensorenkalibrierung nicht möglich</p> <p>Die pH/ORP Sensor reagiert sehr langsam</p>	<p>Standardlösung in schlechtem Zustand. Membrane der Sensor ist verstopft. Überprüfen ob die Membrane beschädigt ist. Die Sensor mit im Wasser verdünnter Säure säubern, indem man sie leicht schüttelt. Sensor beschädigt. Durch eine neue ersetzen. Die Sensor ist elektrostatisch geladen. Während der Kalibrierung dürfen die Sensoren nicht mit Papier oder Stofftüchern getrocknet werden. Sie ausschließlich mit Wasser reinigen und leicht schütteln. Nicht genügend Wassererneuerung analysiert. Überprüfen ob die Messstelle der Sensor über ein ausreichendes Wasserniveau verfügt und dass keine Blasen vorhanden sind.</p>

8. BESTANDTEILE:



NETZGERÄT

ID	CODE	BESCHREIBUNG	DOM 12	DOM 24	DOM 32	DOM 42	DOM 12 PH	DOM 24 PH	DOM 32 PH	DOM 42 PH	DOM 12 PLUS	DOM 24 PLUS	DOM 32 PLUS	DOM 42 PLUS	NUM.
1	DOM00-13	Frontgehäuse Stromquelle	X	X	X	X	X	X	X	X	X	X	X	X	1
2	DOM10-03	Kraftkarte AC-12	X												1
2	DOM18-03	Kraftkarte AC-22		X											1
2	DOM25-03	Kraftkarte AC-30			X										1
2	DOM40-03	Kraftkarte AC-7				X									1
2	DOM10-04	Kraftkarte AC-12/PH					X								1
2	DOM18-04	Kraftkarte AC-22/PH						X							1
2	DOM25-04	Kraftkarte AC-30/PH							X						1
2	DOM40-04	Kraftkarte AC-7/PH								X					1
2	DOM10-05	Kraftkarte AC-12/PH/ORP									X				1
2	DOM18-05	Kraftkarte AC-22/PH/ORP										X			1
2	DOM25-05	Kraftkarte AC-30/PH/ORP											X		1
2	DOM40-05	Kraftkarte AC-7/PH/ORP												X	1
3	DOM00-14	Wandhalterung	X	X	X	X	X	X	X	X	X	X	X	X	1
4	DOM00-03	Kabeldurchführung M20	X	X	X	X	X	X	X	X	X	X	X	X	1
5	DOM00-04	Stecker CEE22 F externe pH-pumpe					X	X	X	X	X	X	X	X	1
6	DOM00-05	Anzeiger/Kraft karte	X	X	X	X									1
6	DOM00-15	Anzeiger/Kraft / pH karte					X	X	X	X					1
6	DOM00-26	Anzeiger/Kraft / pH / ORP karte									X	X	X	X	1
7	DOM10-02	Leistungstransformator 190 VA	X				X				X				1
7	DOM18-02	Leistungstransformator 370 VA		X				X				X			1
7	DOM25-02	Leistungstransformator 480 VA			X				X				X		1
7	DOM40-02	Leistungstransformator 490 VA				X				X				X	1
8	DOM00-07	Extern Kühlkörper	X	X	X	X	X	X	X	X	X	X	X	X	1
9	DOM00-16	Interne Struktur Steuergeräte	X	X	X	X	X	X	X	X	X	X	X	X	1
10	DOM00-09	Sicherungshalter	X	X	X	X	X	X	X	X	X	X	X	X	1
11	DOM00-10	Internes BNC kabel					1	1	1	1	2	2	2	2	1
12	DOM00-11	Stecker CEE22 M externe pH-pumpe					X	X	X	X	X	X	X	X	1
13	DOM00-17	Frontgehäuse Steuertafel	X	X	X	X	X	X	X	X	X	X	X	X	1
14	DOM00-18	Befestigungsschraube Frontg. Str.	X	X	X	X	X	X	X	X	X	X	X	X	1
15	DOM00-19	Schraubdeckel	X	X	X	X	X	X	X	X	X	X	X	X	1
16	DOM00-20	Kartenverbindungskabel Anzeige	X	X	X	X	X	X	X	X	X	X	X	X	1



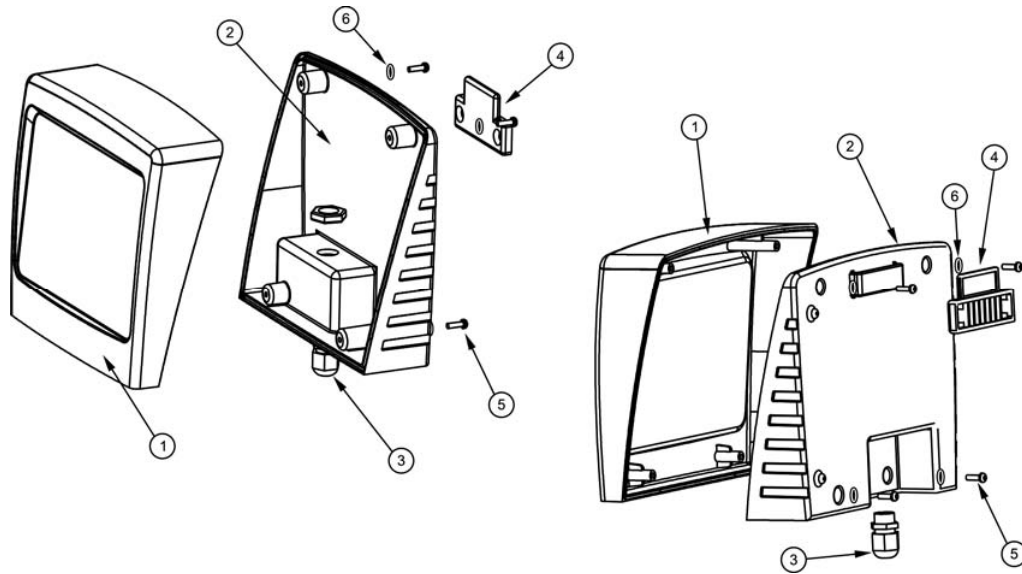
SENSOR-HALTER

ID	CODE	BESCHREIBUNG	DOM 12	DOM 24	DOM 32	DOM 42	DOM 12 PH	DOM 24 PH	DOM 32 PH	DOM 42 PH	DOM 12 PLUS	DOM 24 PLUS	DOM 32 PLUS	DOM 42 PLUS	NUM.
1	R-127	Sensor-halter korps					X	X	X	X	X	X	X	X	1
2	R-035	pH-minus injektor 3/8" *					X	X	X	X	X	X	X	X	1
3	R-028	Sensor-halter PE 12 mm					1	1	1	1	2	2	2	2	1
4	H-035	pH-Sensor					X	X	X	X	X	X	X	X	1
5	R-127-01	Kappe M25 H					X	X	X	X					1
6	R-025	Kalibrierungslösung pH 7.0 (grün)					X	X	X	X	X	X	X	X	1
7	R-026	Kalibrierungslösung pH 4.0 (rot)					X	X	X	X	X	X	X	X	1
8	R-027	Kalibrierungslösung ORP 470 mV									X	X	X	X	1
9	RX-02	ORP-Sensor									X	X	X	X	1

* nicht im Lieferumfang enthalten

ELECTROLYSEZELLE

ID	CODE	BESCHREIBUNG	DOM 12	DOM 24	DOM 32	DOM 42	DOM 12 PH	DOM 24 PH	DOM 32 PH	DOM 42 PH	DOM 12 PLUS	DOM 24 PLUS	DOM 32 PLUS	DOM 42 PLUS	NUM.
1	R-015-04	M8 Elektroden Nylon mutter	X	X	X	X	X	X	X	X	X	X	X	X	1
2	R-015-02	PP M8 Unterlegscheibe 1 mm	X	X	X	X	X	X	X	X	X	X	X	X	1
3	R-015-03	PP Elektroden abscheider	X	X	X	X	X	X	X	X	X	X	X	X	1
4	R-015-01	PP M8 Elektroden-halter schraube	X	X	X	X	X	X	X	X	X	X	X	X	1
5	R-303	Kontrollerschraubenabdeckung	X	X	X		X	X	X		X	X	X		1
5	R-015-07	Kontrollerschraubenab DOM-42				X				X				X	1
6	R-301	Zelle	X	X	X		X	X	X		X	X	X		1
6	R-010	Zelle DOM-42				X				X				X	1
7	R-015-05 DOM	Elektrodenhalterung DOMOTIC	X	X	X		X	X	X		X	X	X		1
7	R-015-05 BIP	Elektrodenhalterung DOM-42				X				X				X	1
8	R-302	Zelle verlecter ring	X	X	X		X	X	X		X	X	X		1
8	R-015-06	Zelle verlecter ring DOM-42				X				X				X	1
9	R-300	Zelledichtung	X	X	X		X	X	X		X	X	X		1
9	R-015-08	Zelledichtung DOM-42				X				X				X	1
10	R-058	Elektroden DOMOTIC Series 12	X				X				X				1
10	R-059	Elektroden DOMOTIC Series 24		X				X				X			1
10	R-060	Elektroden DOMOTIC Series 32			X				X				X		1
10	R-204	Elektroden DOMOTIC Series 42				X				X				X	1
11	R-010-01	Zierring oben	X	X	X		X	X	X		X	X	X		1
12	R-010-02	Zierring Zellenausgang	X	X	X		X	X	X		X	X	X		1



EXTERNE STEUERTAFEL (OPTIONAL - nicht im Lieferumfang enthalten)

ID	CODE	DESCRIPTION	DOM	DOM	DOM	DOM	DOM	DOM	DOM	DOM	DOM	DOM	DOM	NUM.	
			12	24	32	42	12	24	32	42	12	24	32		42
			PH	PH	PH	PH	PLUS	PLUS	PLUS	PLUS	PLUS	PLUS	PLUS		
1	DOM00-021	Abdeckung	X	X	X	X	X	X	X	X	X	X	X	1	
2	DOM00-022	Grundplatte Sichtanzeige	X	X	X	X	X	X	X	X	X	X	X	1	
3	DOM00-023	Kabeldurchführung M12	X	X	X	X	X	X	X	X	X	X	X	1	
4	DOM00-024	Wandhalterung	X	X	X	X	X	X	X	X	X	X	X	1	
5	DOM00-025	Befestigungsschraube 3x8 mm	X	X	X	X	X	X	X	X	X	X	X	4	
6	DOM00-025	Dichtung für Schraube	X	X	X	X	X	X	X	X	X	X	X	4	

9. TECHNISCHE ANGABEN:

TECHNISCHE DATEN:

Standard-Gebrauchsspannung

230V AC - 50/60 Hz.
Kabel: 3 x 1.0 mm², läng. 2 m.
Domotic Series 12 0.36 A
Domotic Series 24 0.72 A
Domotic Series 32 0.89 A
Domotic Series 42 0.89 A

Sicherung

Domotic Series 12 2A T (5x20 mm)
Domotic Series 24 3.15A T (5x20 mm)
Domotic Series 32 4A T (5x20 mm)
Domotic Series 42 4A T (5x20 mm)

Ausgangsspannung

8 - 9 V DC (24 V DC DOM-42)
Kabel 3 x 4 mm², läng. 2 m.
Domotic Series 12 12 A (2x6 A)
Domotic Series 24 24 A (2x12 A)
Domotic Series 32 32 A (2x16 A)
Domotic Series 42 42 A (6x7 A)

Erzeugung

Domotic Series 12 10 - 12 g./h.
Domotic Series 24 20 - 24 g./h.
Domotic Series 32 25 - 32 g./h.
Domotic Series 42 34 - 42 g./h.

Kleinste Durchflussmenge

Domotic Series 12 2 m³/h.
Domotic Series 24 4 m³/h.
Domotic Series 32 6 m³/h.
Domotic Series 42 8 m³/h.

Elektrodenanzahl

Domotic Series 12 5
Domotic Series 24 7
Domotic Series 32 7
Domotic Series 42 13

Nettogewicht (einschließlich Verpackung)

Domotic Series 12 11 Kg.
Domotic Series 24 13 Kg.
Domotic Series 32 15 Kg.
Domotic Series 42 17 Kg.

ALLGEMEINE KENNZEICHEN:

Steuerungssystem

- Mikroprozessor.
- Membrantastatur mit Steuertasten und Betriebsanzeige-LEDs.
- Kontrollein- und -ausgänge: drei spannungsfreie Eingänge für den Zustand der automatischen Abdeckung, des externen Flussdetektors und des ORP/RESTCHLOR-Steuergeräts
- Ausgang zur Zelle: Produktionskontrolle (11 diskrete Stufen).
- Integrierter pH-Regler (nur in DOM-XX PH und DOM-XX PLUS Modellen).
- Integrierter ORP-Regler.
- (nur in DOM-XX PLUS Modellen).

Selbstreinigung

Automatisch, durch Polumkehrung

Arbeitstemperatur

Von 0°C bis + 40°C
Kühlung, über natürliche Konvektion

Material

Netzgerät / Steuertafel
○ ABS
Elektrolysezelle und Sensorenhalter
○ Durchsichtig Methacrylat

pH-Sensor (modelle DOM-XX PH und DOM-XX PLUS)

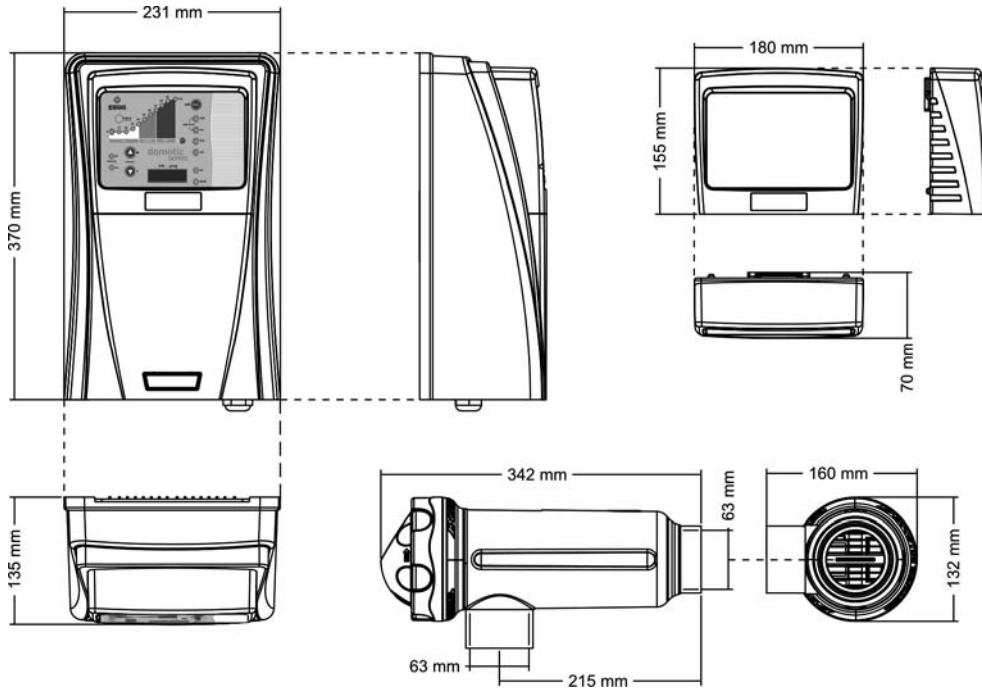
Korps: plastik (blau)
Skala 0 - 12 pH
Festes Elektrolyt

ORP-Sensor (modelle DOM-XX PLUS)

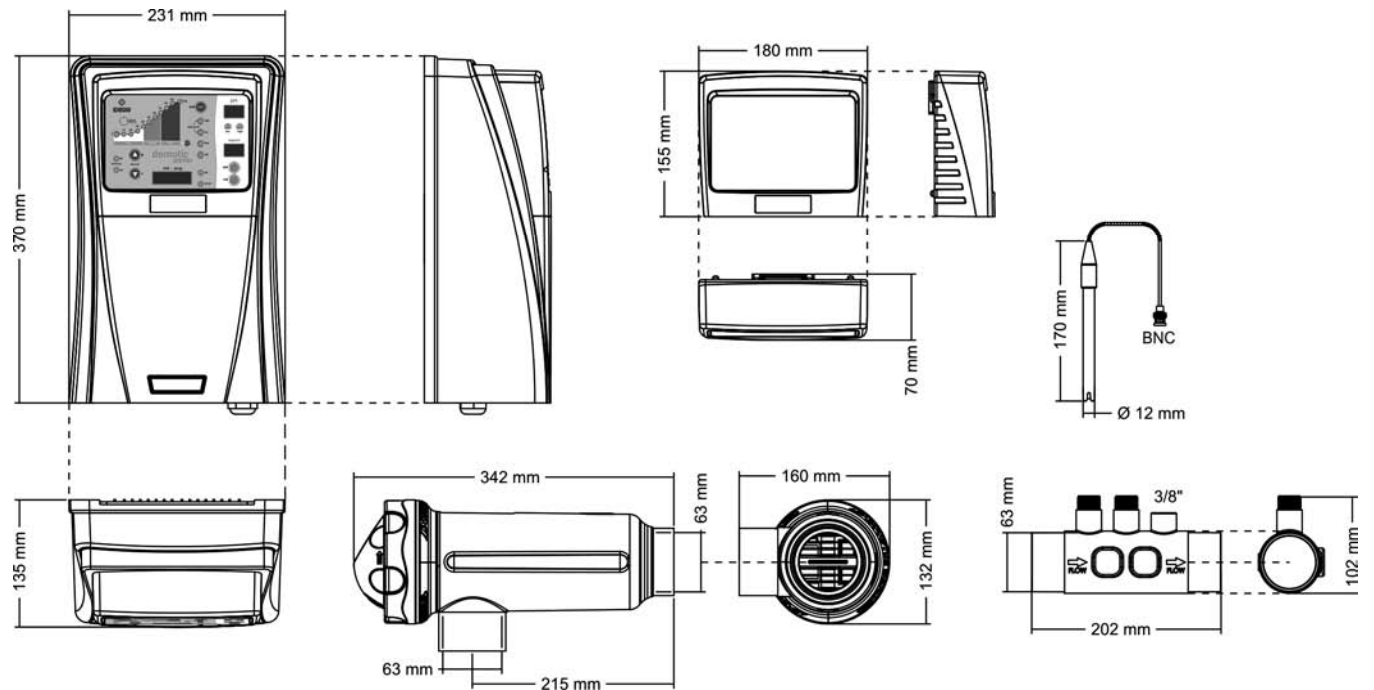
Korps: plastik (rot)
Skala 0 - 1000 mV
Festes Elektrolyt

Abmessungen

DOMOTIC (modelle DOM-XX)



DOMOTIC-PH / PLUS (modelle DOM-XX PH und DOM-XX PLUS)



10. GARANTIEBEDINGUNGEN:

10.1. ALLGEMEINE VORGABEN

- 10.1.1. Gemäß dieser Vorgaben garantiert der Verkäufer, dass das zu dieser Garantie gehörende Produkt zum Zeitpunkt der Übergabe keinen Konformitätsmangel aufweist.
- 10.1.2. Der Garantiezeitraum beläuft sich auf 3 Jahre.
- 10.1.3. Einzelgarantien:
 - 10.1.3.1. Die Elektroden sind durch eine nicht erweiterbare Sondergarantie von 5 JAHREN ⁽¹⁾ bzw. 5.000 Betriebsstunden (je nachdem, was zuerst erfüllt wird) gedeckt.
 - 10.1.3.2. Die pH/ORP-Sensoren sind durch eine nicht erweiterbare Garantie von 6 MONATEN gedeckt.
 - 10.1.3.3. Diese Fristen der Einzelgarantien unterliegen den Einschränkungen, die in dem § 10.3.2 aufgeführt werden.
- 10.1.4. Sollte während des Garantiezeitraums ein Konformitätsmangel am Produkt eintreten und der Käufer diesen dem Verkäufer mitteilen, muss der Verkäufer das Produkt auf eigene Kosten an dem von ihm erachteten Ort reparieren oder ersetzen - außer wenn dies unmöglich oder unverhältnismäßig wäre.
- 10.1.5. Kann das Produkt nicht repariert oder ersetzt werden, kann der Käufer eine anteilmäßige Preissenkung anfordern. Ist der Konformitätsfehler jedoch relevant genug, kann er die Auflösung des Kaufvertrags fordern.
- 10.1.6. Die laut dieser Garantie ersetzten oder reparierten Teile verlängern die Garantiefrist des Originalprodukts nicht, haben aber ihre eigene Garantie.
- 10.1.7. Für die Wirksamkeit dieser Garantie muss der Käufer das Kauf- und Lieferdatum des Produkts nachweisen.
- 10.1.8. Sind seit Produktübergabe an den Käufer mehr als sechs Monate vergangen und zeigt dieser einen Konformitätsmangel an, muss der Käufer den Ursprung und das Vorhandensein des angeführten Fehlers nachweisen.
- 10.1.9. Das vorliegende Garantiezertifikat beschränkt oder bedingt die Ansprüche, die den Kunden aufgrund zwingender nationaler Vorschriften zustehen, nicht.

10.2. SENSORBEDINGUNGEN

- 10.2.1. Für die Wirksamkeit dieser Garantie muss der Käufer die Herstelleranweisungen, die in den Begleitunterlagen des Produkts enthalten und laut Produktserie und -modelle anwendbar sind, genau einhalten.
- 10.2.2. Wird ein Zeitplan für Ersatz, Wartung oder Reinigung bestimmter Teile oder Bauteile des Produkts spezifiziert, ist die Garantie nur gültig, wenn dieser Zeitplan ordnungsgemäß eingehalten wurde.

10.3. EINSCHRÄNKUNGEN

- 10.3.1. Die vorliegende Garantie ist nur bei Verkäufen an Verbraucher anwendbar, wenn unter „Verbraucher“ die Person gemeint ist, die das Produkt nicht für berufliche Zwecke erworben hat.
- 10.3.2. Die Einzelgarantien, die in dem § 10.1.3. aufgeführt wurden, kommen nicht zur Anwendung, falls das Produkt in öffentlichen Räumlichkeiten (Hotels, Sportzentren, Eigentümergemeinschaften, Schulen, usw.) kommerziell verwendet wird. In diesen Fällen wird ab 4.500 nachweisbaren Betriebsstunden, eine Garantie angewendet, die im Verhältnis zur restlichen Betriebszeit steht, bis die ursprüngliche Garantiezeit von 5.000 Betriebsstunden erreicht wurde.
- 10.3.3. Für den normalen Verschleiß durch den Produkteinsatz, wie auch für Teile, Bauteile u. /o. Verbrauchsmaterial (ausgenommen: die Elektrode) wird keine Garantie erteilt.
- 10.3.4. Die Garantie deckt keine Fälle, bei denen das Produkt: (i) fehlerhaft eingesetzt; (ii) von nicht zulässigen Personen untersucht, repariert, gewartet oder manipuliert; (iii) mit Nichtoriginalteilen repariert oder gewartet oder (iv) fehlerhaft eingebaut oder in Betrieb genommen wurde.
- 10.3.5. Ist der Konformitätsmangel des Produkts eine Folge fehlerhaften Einbaus oder Inbetriebnahme, findet die vorliegende Garantie nur Anwendung, wenn diese Anlage oder Inbetriebnahme im Kaufvertrag des Produkts enthalten ist oder vom Verkäufer oder unter dessen Zuständigkeit durchgeführt wurde.
- 10.3.6. Bei Schäden oder Produktfehlern, die durch eine der folgenden Ursachen bedingt sind:
 - o Schlechte Programmierung des Systems und/oder unzulängliche Kalibrierung der pH/ORP Sensoren durch den Benutzer.
 - o Betrieb bei Salzgehalten unter 3 g/l Natriumchlorid und/oder Temperaturen unter 15°C oder über 40°C.
 - o Betrieb bei über 7,6 pH.
 - o Verwendung ausdrücklich unzulässiger Chemikalien.
 - o Durchführung von ungerechtfertigt häufigen Reinigungsarbeiten der Elektroden und/oder Vorgehensweisen, die anders als sind als die, die in der Betriebsanleitung beschrieben wurden.
 - o Korrosiven Umgebungen u. / o. Temperaturen unter 0°C oder über 50°C.

IMPORTANTE: O manual de instruções que você tem nas mãos contém informação fundamental sobre as medidas de segurança a tomar ao realizar a instalação e a colocação em funcionamento. Por isso, é imprescindível que tanto o instalador como o utilizador leiam as instruções antes de realizar a montagem e a colocação em funcionamento. Guarde este manual para futuras consultas sobre o funcionamento deste aparelho.



Eliminação de resíduos de sistemas domésticos eléctricos e electrónicos na União Europeia.

Todo o produto marcado com este símbolo indica que não pode ser eliminado juntamente com o resto dos resíduos domésticos quando termina a sua vida útil. É da responsabilidade do utilizador eliminar este tipo de resíduo, depositando num local adequado para a reciclagem de resíduos eléctricos e electrónicos. O tratamento e reciclagem adequados destes resíduos contribui de forma essencial para a preservação do Meio Ambiente e saúde dos utentes. Para obter uma informação mais precisa sobre os pontos de recolha deste tipo de resíduos, deve contactar com as autoridades locais.

Nas instruções deste manual descreve-se o funcionamento e manutenção dos sistemas de Electrólise Salina DOMOTIC Series DOM-XX, DOM-XX PH e DOM-XX PLUS. Para conseguir um óptimo rendimento dos Sistemas de Electrólise Salina DOMOTIC Series observe as instruções indicadas abaixo:

1. VERIFIQUE O CONTEÚDO DA EMBALAGEM:

Dentro da caixa encontrará os seguintes acessórios:

- Fonte de alimentação.
- Célula de electrólise.
- Sensor de pH (só em modelos DOM-XX PH e DOM-XX PLUS)
- Sensor de ORP (só em modelos DOM-XX PLUS).
- Soluções de calibragem pH 7.0 (verde) / pH 4.0 (vermelho) / ORP 470 mV (só em modelos DOM-XX PH e DOM-XX PLUS).
- Porta-sondas (só em modelos DOM-XX PH e DOM-XX PLUS).
- Conector CEE22 M para bomba de dosagem (só em modelos DOM-XX PH e DOM-XX PLUS).
- Manual de Operação.

2. CARACTERÍSTICAS GERAIS:

Uma vez instalado o seu sistema de Electrólise Salina DOMOTIC Series é necessário dissolver uma quantidade de sal na água. Esta água salina circula através da célula de electrólise situada no depurador. O sistema de Electrólise Salina DOMOTIC Series compõe-se por dois elementos: uma célula de electrólise e uma fonte de alimentação. A célula de electrólise contém um número determinado de pontos de titânio (eléctrodos), de modo que, ao fazer circular uma corrente eléctrica e enquanto a solução salina passa através dos mesmos, produz-se cloro livre.

A manutenção de certo nível de cloro na água da piscina garantirá a qualidade sanitária. Um sistema de Electrólise Salina DOMOTIC Series produzirá cloro quando o sistema de recirculação da piscina (bomba e filtro) estão operativos.

A fonte de alimentação conta com vários dispositivos de segurança, os quais se activam em caso de funcionamento anómalo do sistema, bem como com um micro-controlador de controlo.

Os sistemas de Electrólise Salina DOMOTIC Series contam com de um sistema automático de limpeza dos eléctrodos que evita a formação de incrustações nos mesmos. Além disso os sistemas da gama DOMOTIC-PH e DOMOTIC-PLUS, incluem um controlador de pH integrado., assim como um controlador de ORP adicional no caso dos sistemas da série DOMOTIC-PLUS.

3. ADVERTÊNCIAS DE SEGURANÇA E RECOMENDAÇÕES:

- O sistema deve ser instalado e manipulado pelo pessoal qualificado.
- É necessário respeitar as normas em vigor eléctricas e para a prevenção de acidentes.
- O fabricante não se responsabiliza em nenhum caso pela montagem, instalação ou colocação em funcionamento, nem por qualquer manipulação ou instalação de componentes que não tenham sido efectuados nas suas instalações.
- Os sistemas de Electrólise Salina DOMOTIC Series funcionam a 230 Vac, 50/60 Hz. Não tente alterar o sistema para operar com outra voltagem.
- Certifique-se de que as conexões estão firmes para evitar falsos contactos, com o conseguinte sobreaquecimento dos mesmos.
- Antes de proceder à instalação ou a substituição de um componente, desligar o aparelho da rede eléctrica, e use exclusivamente peças fornecidas por IDEGIS.
- Este equipamento produz calor, portanto, deve ser instalado num lugar bem ventilado e com as aberturas de ventilação livres de qualquer elemento que as possa obstruir. Não deve ser instalado perto de materiais inflamáveis.
- Os sistemas de Electrólise Salina DOMOTIC Series dispõem de um grau de protecção IP24. Não devem ser instalados em nenhum caso em lugares expostos a inundações.

FORNECEDOR DE ALIMENTAÇÃO

DESCRIÇÃO	MODELO			
	DOM-12 / DOM-12 PH / DOM-12 PLUS	DOM-24 / DOM-24 PH / DOM-24 PLUS	DOM-32 / DOM-32 PH / DOM-32 PLUS	DOM-42 / DOM-42 PH / DOM-42 PLUS
Tensão de serviço	230 V AC, 50/60 Hz.			
Saída (dc)	12 A (2x6 A)	24 A (2x12 A)	32 A (2x16A)	42 A (6x7A)
Produção (g/h)	10 - 12	20 -24	25 - 32	34 - 42
Capacidade piscina (m ³) Temperado: 16 - 24°C Quente: +25°C	60 50	100 80	160 120	200 160
Detector de fluxo	Detector de gás			
Margem Salinidade / Temperatura	3 - 12 g./l. / +15 - 40°C			
Eléctrodos	Titânio com revestimento AUTO-LIMPANTE Tempo de vida previsto: 4.000 - 7.000 horas de funcionamento			
Controlo de produção	0 - 100 % (11 níveis de produção)			
Controlo cobertura	Entrada para contacto livre de potencial. Redução de produção programável desde o painel de controlo com cobertura fechada [10 ... 90%]			
Inversão de polaridade	Programável desde o painel de controlo: 2/3 horas + modo test			
Controlo externo	Dois entradas para contacto livre de potencial para interruptor de fluxo externo e controlador ORP/COLORO RESIDUAL. Lógica do contacto programável desde o painel de controlo de l' unidade.			
Protecção nível de sal	Protecção automática de produção			

CELULA DE ELECTROLISE

DESCRIÇÃO	MODELO			
	DOM-12 / DOM-12 PH / DOM-12 PLUS	DOM-24 / DOM-24 PH / DOM-24 PLUS	DOM-32 / DOM-32 PH / DOM-32 PLUS	DOM-42 / DOM-42 PH / DOM-42 PLUS
Fluxo mínimo	2 m ³ /h	4 m ³ /h	6 m ³ /h	8 m ³ /h
Número de eléctrodos	5	7	7	13
Material	Polímero da família do metacrilato			
Conexão	Com adesivo para tubo PVC Ø 63 mm.			
Pressão máxima recomendada	1 Kg./cm ²			
Temperatura funcionamento	Menor que 40°C			

CONTROLADOR DE PH / ORP

DESCRIÇÃO	MODELO			
	DOM-12 PH DOM-12 PLUS	DOM-24 PH DOM-24 PLUS	DOM-32 PH DOM-32 PLUS	DOM-42 PH DOM-42 PLUS
Margem de medida	0.0 - 9.9 (pH) / 0 - 999 mV (ORP)			
Margem de controlo	7.0 - 7.8 (pH) / 600 - 850 mV (ORP)			
Precisão	± 0.1 pH / ± 1 mV			
Calibragem	Automática com soluções padrão			
Saída de controlo [pH]	Uma saída 230 VAC / 500 mA para bomba de dosagem			
Sensor pH / ORP	Corpo epoxy, 12x 150 mm., união simple, 0-80°C cor AZUL, margem 0 - 12 (pH), cor VERMELHO, margem 0 - 1000 mV (ORP),			

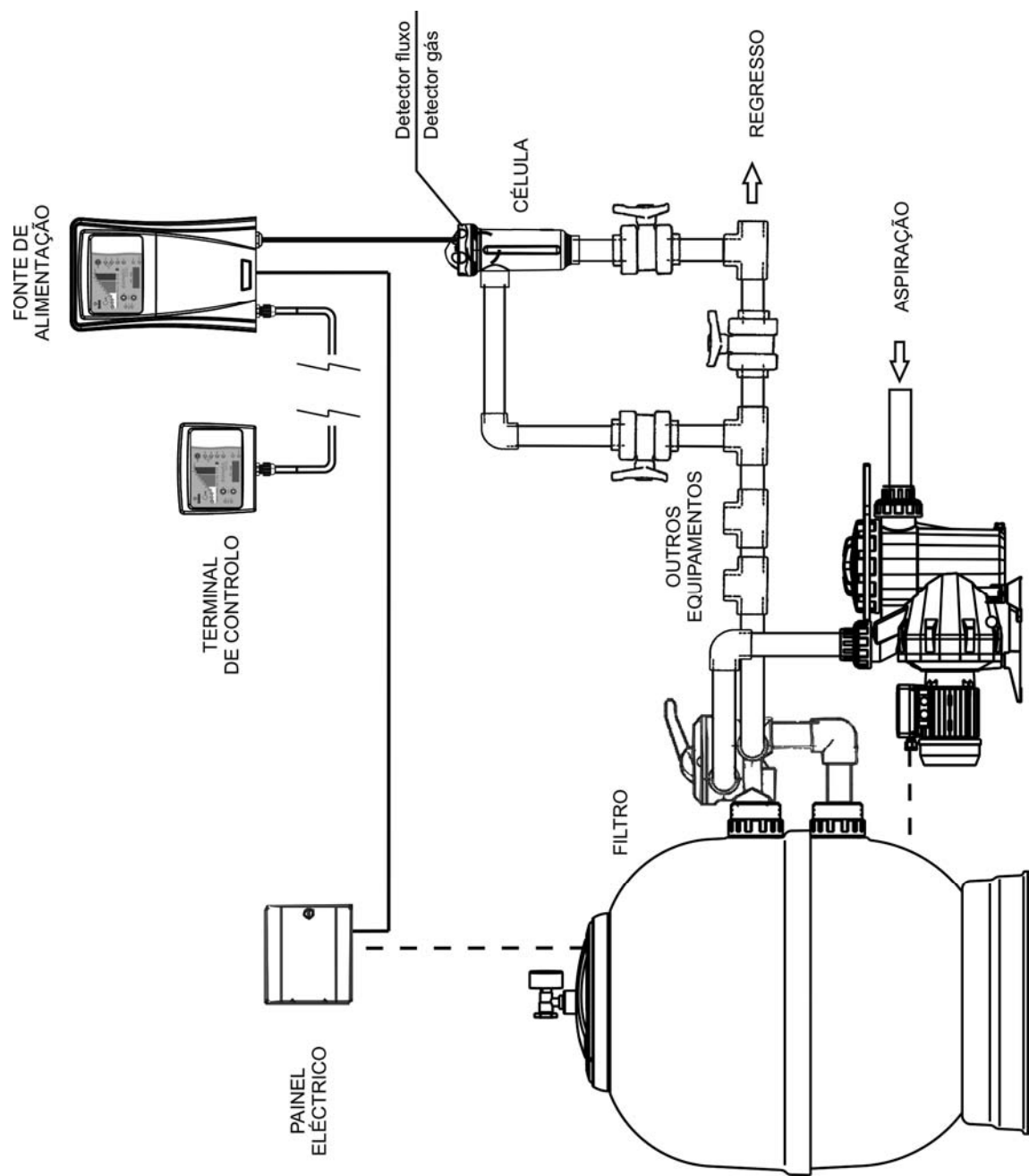


Fig.1 Diagrama de instalação recomendada (sistemas DOMOTIC Series DOM-XX).

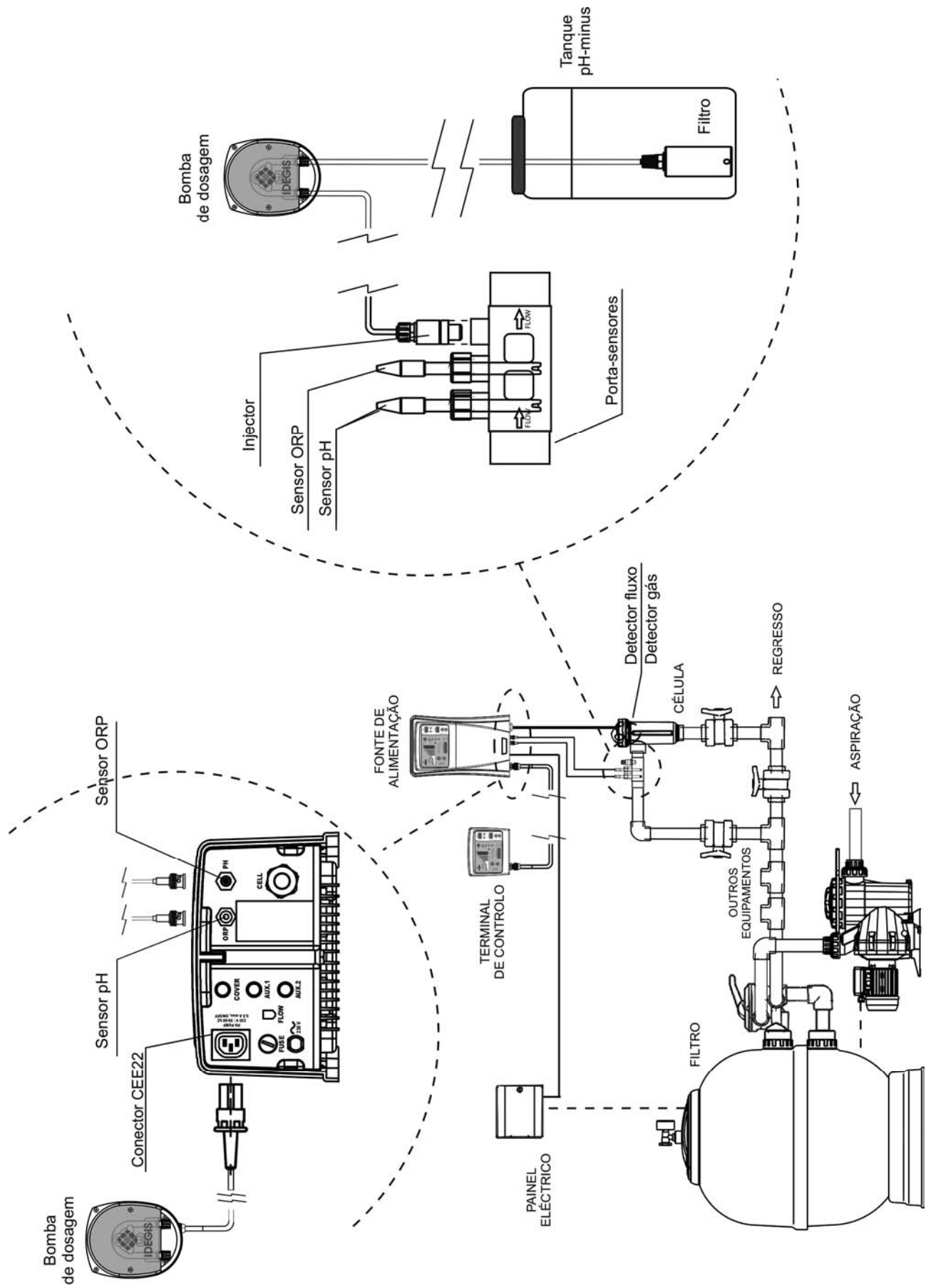


Fig.2 Diagrama de instalação recomendada (sistemas DOMOTIC Series DOM-XXPH).

4. INSTALAÇÃO:

4.1. Instalação da fonte de alimentação

Instalar sempre a FONTE DE ALIMENTAÇÃO do sistema DOMOTIC Series de modo VERTICAL e numa superfície (parede) rígida, tal como se indica no esquema de instalação recomendada (Figs. 1,2). Para garantir o seu bom estado de conservação, é preciso instalar sempre o equipamento num lugar seco e bem ventilado. O grau de estanquidade da FONTE DE ALIMENTAÇÃO do sistema DOMOTIC Series não permite a sua instalação à intempérie. A FONTE DE ALIMENTAÇÃO preferivelmente, deve ser instalada o suficientemente afastada da célula de electrólise, por forma a que não possa sofrer salpicaduras de água de forma accidental.

De maneira especial, evite a formação de ambientes corrosivos devidos às soluções redutoras do pH (especificamente as formuladas com ácido clorídrico "HCl"). Não instale o sistema DOMOTIC Series perto de lugares de armazenamento destes produtos. Recomendamos veementemente o uso de produtos com base de bisulfato sódico ou ácido sulfúrico diluído. A conexão da fonte de alimentação à rede eléctrica deve ser efectuada no quadro de manobra do depurador, por forma que a bomba e o sistema DOMOTIC Series sejam conectados de forma simultânea.

4.2. Instalação da célula de electrólise

A célula de electrólise foi fabricada com um polímero transparente em cujo interior estão alojados os eléctrodos. A célula de electrólise deve ser instalada num lugar protegido da intempérie e **sempre atrás do sistema de filtração**. No caso de existência de outros dispositivos na instalação como bombas de calor, sistemas de controlo, etc. estes deverão sempre ser colocados antes do sistema de electrólise.

A célula de electrólise sempre deve ser situada de forma VERTICAL, num ponto da tubagem que possa ser isolado do resto da instalação por meio de duas válvulas, de modo que se possam efectuar as tarefas de manutenção da mesma sem a necessidade de esvaziar total ou parcialmente a piscina.

No caso de a célula seja instalada em by-pass (opção recomendada), dever-se-á introduzir uma válvula que regule o fluxo através da mesma. Antes de proceder com a instalação definitiva do sistema é preciso levar em consideração as seguintes observações:

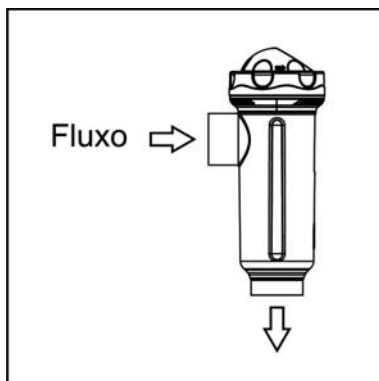


Fig. 3

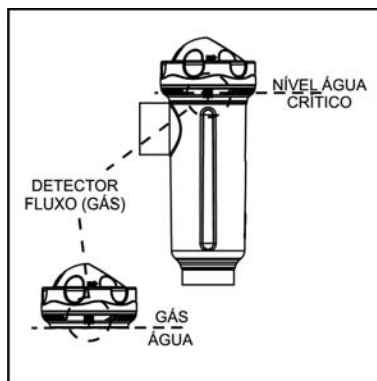


Fig. 4

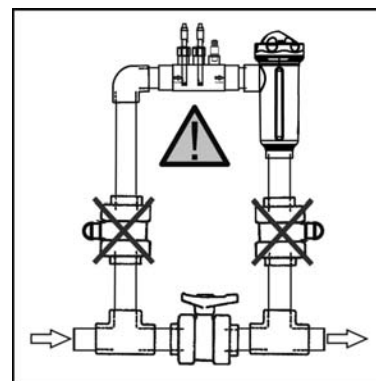


Fig. 5

1. É preciso respeitar o sentido de fluxo marcado na célula. O sistema de recirculação deve garantir o fluxo mínimo indicado na Tabela de Especificações Técnicas (ver Secção 9).

2. O sistema detector de fluxo activa-se no caso de que não haja recirculação (fluxo) de água através da célula ou no caso de que este seja muito baixo. A não evacuação do gás de electrólise gera uma bolsa que isola electricamente o eléctrodo auxiliar (detecção electrónica). Portanto, ao introduzir os eléctrodos na célula, a sonda de nível (eléctrodo auxiliar) deverá situar-se na parte superior da mesma. A disposição mais segura é a indicada no esquema de instalação recomendada.

3. **ATENÇÃO:** o detector de fluxo não funcionará correctamente, com o conseqüente risco de ruptura da célula, se se fecharem simultaneamente as válvulas de entrada e saída aos tubos onde está instalada a célula de electrólise. **Embora seja uma situação extremamente inusual, é possível evitá-la bloqueando, uma vez instalado o equipamento, a válvula de retorno à piscina,** de modo que não possa ser manipulada accidentalmente.

Outras instalações seriam só aceitáveis se permitem a detecção de fluxo fraco ou nulo.

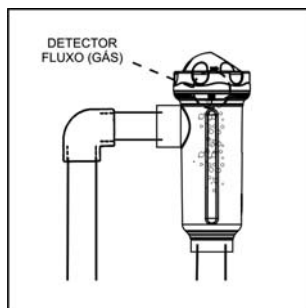


Fig. 6

Instalação recomendada

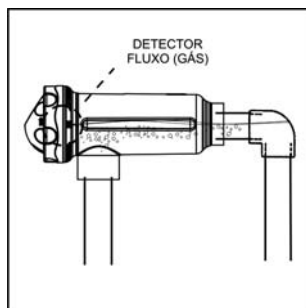


Fig. 7

Instalação permitida

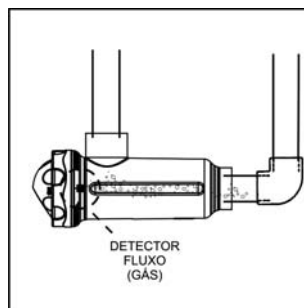


Fig 8

Instalações não permitidas

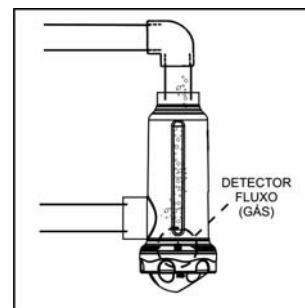


Fig 9

Os eléctrodos devem ser colocados no interior da célula de electrólise, de modo a encaixar o eléctrodo central do conjunto através das guias situadas na parte superior e inferior do corpo da mesma.

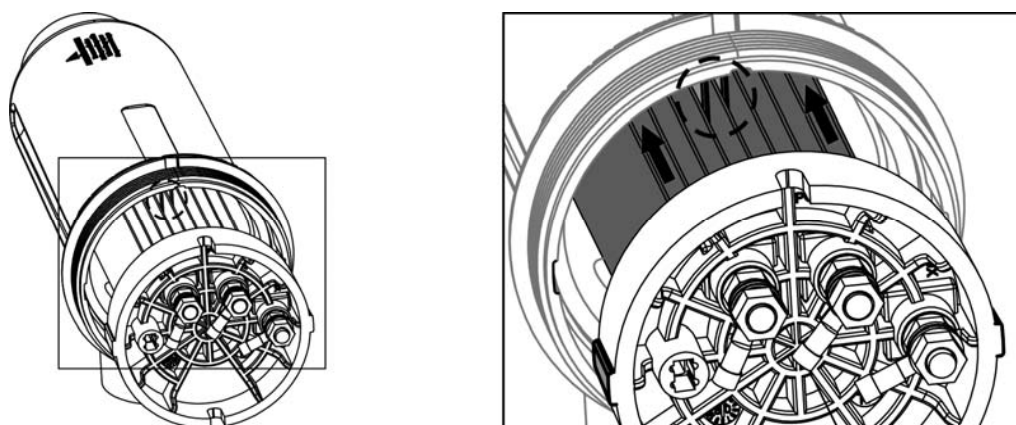


Fig 10

4.3. Conexões eléctricas da célula de electrólise

Realizar a ligação entre a célula de electrólise e a fonte de alimentação de acordo com o seguinte esquema. Em virtude da intensidade relativamente elevada da corrente que circula pelos cabos de alimentação da célula de electrólise, em nenhuma hipótese deverá modificar o comprimento ou secção dos mesmos sem fazer uma consulta prévia ao seu distribuidor autorizado IDEGIS. O cabo de conexão célula de eletrólise-fonte de alimentação nunca deve exceder o comprimento máximo recomendado neste manual: DOM-12 (6 A), 7.5 m.; DOM-24 (12 A), 4.0 m.; DOM-32 (16 A), 3.0 m; DOM-42 (7 A), 16.0 m.

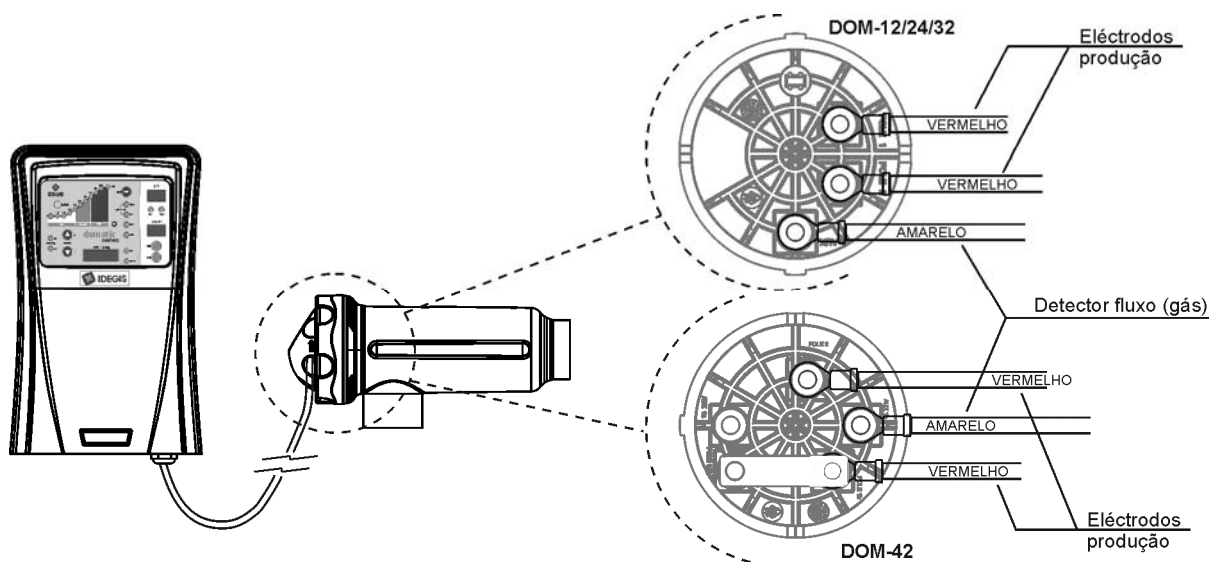


Fig.11

4.4. Instalação do sensor de pH / ORP (só em modelos DOM-XX PH e DOM-XX PLUS)

1. Inserir os sensores de pH / ORP fornecidos com o equipamento em correspondentes compartimentos do porta-sensores (Fig. 12).
2. Para tal, desaperte a porca do buçim e introduza o sensor no mesmo.
3. O sensor deve ser introduzido no adaptador por forma a garantir que o sensor situado na sua extremidade fique sempre submerso na água que circula pela tubagem.
4. **Instalar sempre os sensores de pH/ORP preferivelmente na posição vertical ou com uma inclinação máxima de 40°** (Fig. 13).

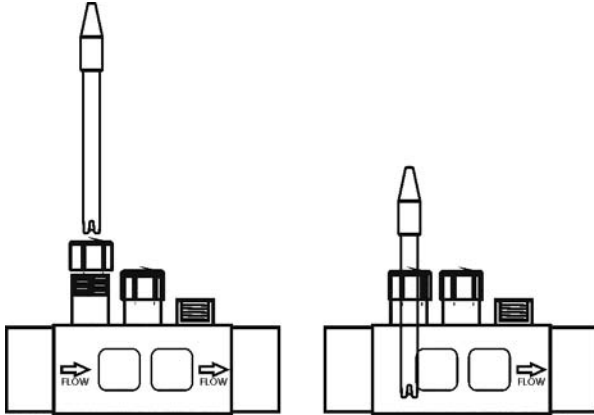


Fig. 12

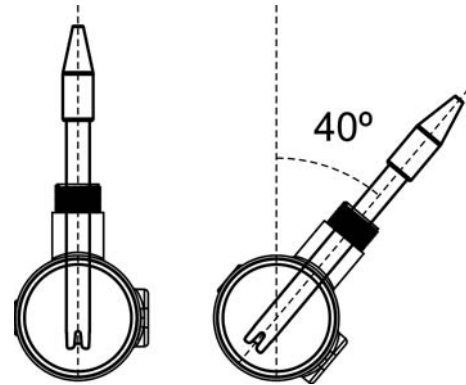


Fig. 13

4.5. Instalação do detector de fluxo externo opcional (não fornecido com o equipamento)

1. Colocar o colarinho fornecido a um lanço da tubagem situado na entrada da célula de electrólise. O colarinho deve ser colocado sempre na posição horizontal no solo (ver Fig. 14-1).
2. Instalar o detector de fluxo (interruptor de fluxo) sempre na posição vertical no colarinho (fig. 14-1).
3. Existe uma seta marcada na cabeça do detector de fluxo. Assegure-se de que a seta fica paralela ao eixo da tubagem e aponta para a direcção do fluxo de água (Fig. 14-2).
4. Evite instalar o detector de fluxo perto de objectos magnéticos. Estes objectos podem interferir no correcto funcionamento do detector de fluxo.

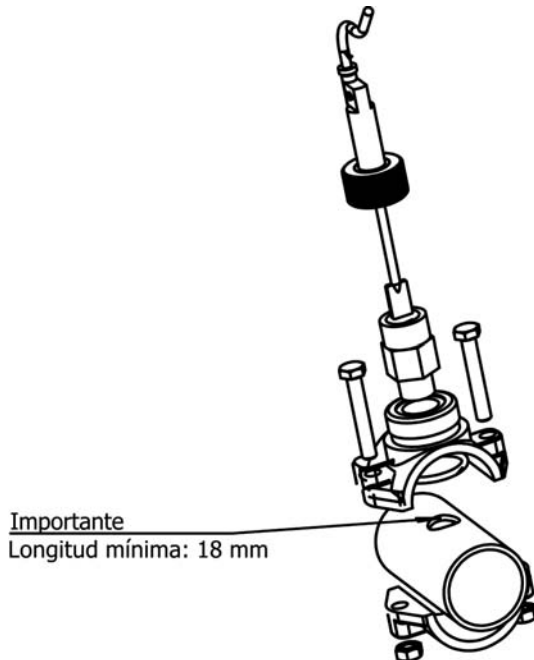


Fig. 14-1

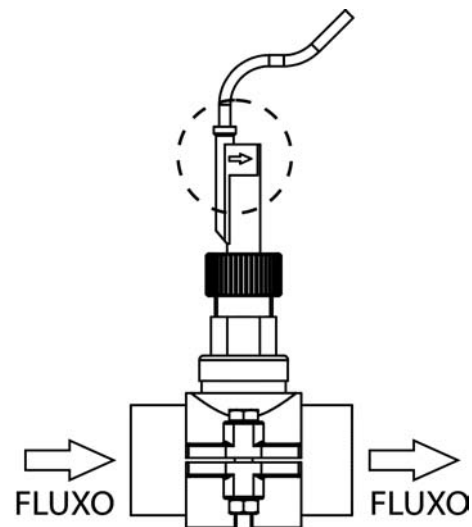


Fig. 14-2

4.6. Instalação do terminal de controlo

Nos sistemas DOMOTIC series é possível estabelecer um controlo remoto do sistema d' electrólise salina instalado em a piscina mediante a instalação de um terminal mural de controlo. A interligação entre a fonte de alimentação e o terminal de controlo pode ser efetuada mediante um cabo de sinal de 6 condutores conectado aos conectores respectivos das tarjetas de potência e indicação. A longitude deste cabo será determinada pelas necessidades do usuário, não podendo superar nunca os 40 metros. O terminal é um elemento auto-alimentado em 10,5 Vac por o próprio cabo de comunicações pelo qual não precisa de alimentação adicional.

O terminal não requer nenhum procedimento especial de manutenção, à l' exceção das seguintes normas gerais de utilização:

- Utilizar um pano ligeiramente úmido para limpá-lo.
- Não utilizar produtos de limpeza agressivos (água sanitária, aerossóis, álcool, etc.)

O terminal de controlo é concebido para ser colocado em uma parede rígida. O seu grau de proteção IP-65 permite instalá-lo ao ar livre. Contudo, seria conveniente não expor diretamente o terminal aos raios solares. Para a instalação do terminal proceder como segue:

1. Retirar a coberta da fonte de alimentação desenroscando o parafuso de fixação (Fig. 11-1) e deslizando para cima e para fora (Fig. 11-2). Seguidamente girar a coberta para a esquerda (Fig. 11-3) e desconectar o cabo de comunicações (A) da tarjeta de potência e da tarjeta de indicação (Fig. 11-4).
2. Desapertando os quatro parafusos de fixação (Fig. 11-5).
3. Montar o terminal de controlo (Fig. 11-6).

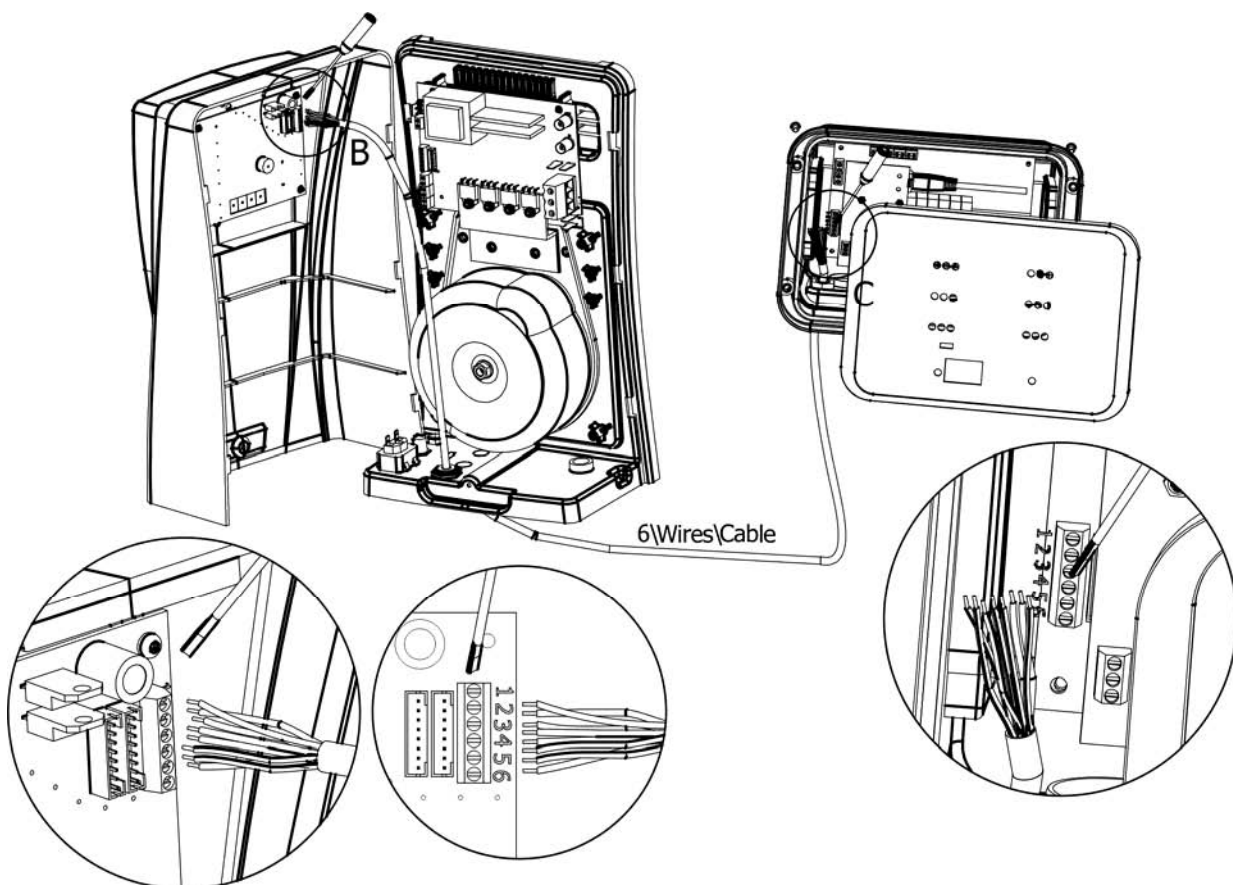
OPÇÃO A: instalação mediante cabo original IDEGIS ref. DOM-020-XX (XX indica a longitude em metros do cabo).

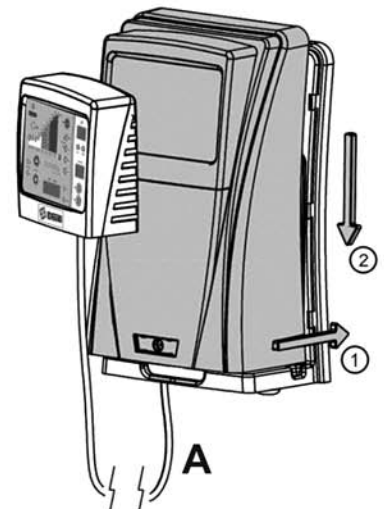
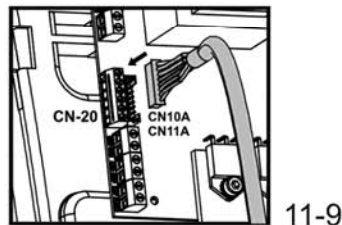
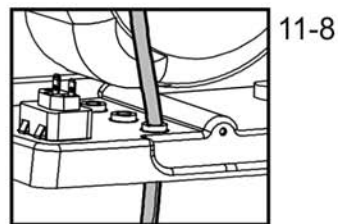
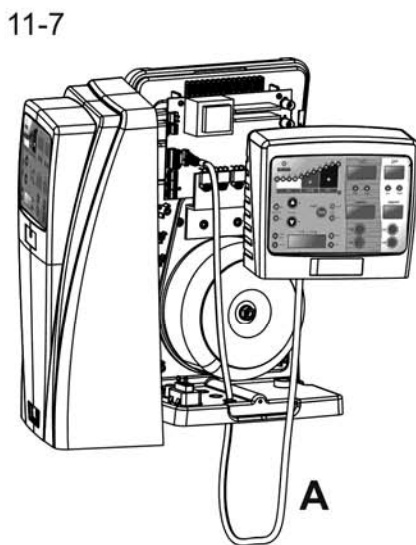
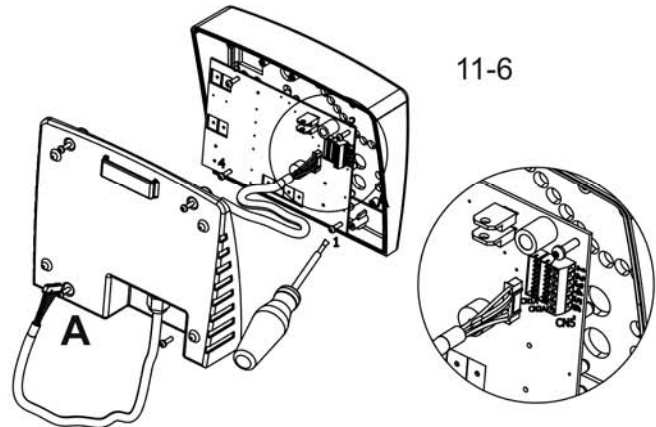
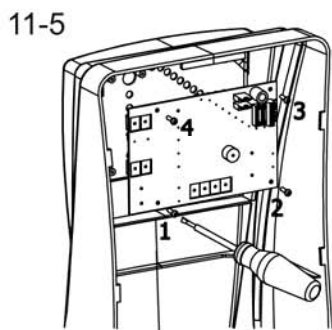
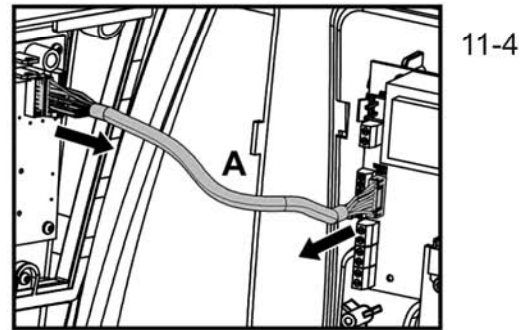
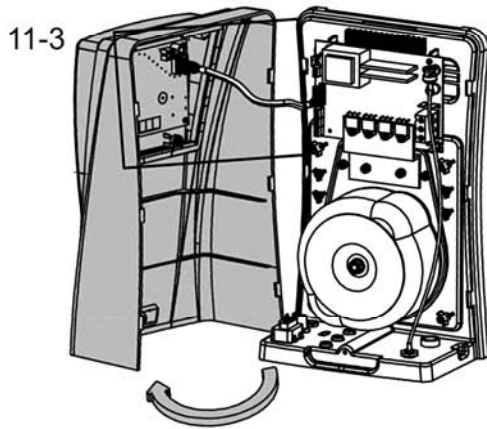
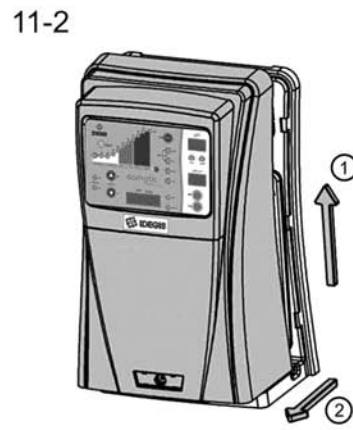
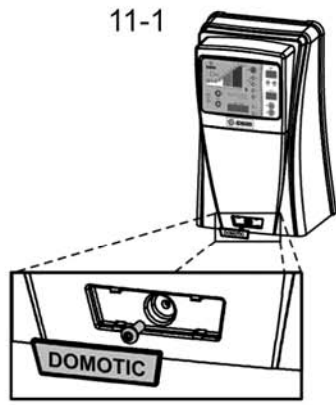
OPÇÃO B: instalação mediante cabo de sinal standard de 6 condutores de 0,22 mm² de secção mínima cada um.

Em ambos casos a longitude máxima admissível é de 40 metros. No entanto, o uso de cabo UTP de par trançado (Categoria 5e sem blindagem) permite a interconexão a distâncias de até 60 metros.

4. Para tal, passar o novo cabo de comunicações (A) através do passa-cabos situado na base do terminal e conectá-lo em qualquer dos dois conectores da tarjeta de indicação (CN1A, CN2A) [**OPÇÃO A**], ou no conector CN-5 [**OPÇÃO B**]. Unir o frontal de indicação e a base do terminal mediante os quatro parafusos fornecidos.
5. Passar o extremo livre do cabo de comunicações a través do orifício AUX 2 da base da fonte de alimentação (Figs. 11-7 y 11-8) e conecta-lo ao conector CN10A/CN11A [**OPÇÃO A**] ou no conector CN-20 [**OPÇÃO B**] da tarjeta de potência (Fig. 11-9). Voltar a colocar la coberta da fonte de alimentação. (Fig. 11-7).
6. Pôr a fixação da parede (ver Secção 8) em o ponto d' instalação escolhido e colocar o terminal no mesmo.

4.7 PoolStation conexão





4.7. **Controles e indicadores**

Os sistemas de Electrólise de Sal DOMOTIC Series Elite estão equipados com um painel de controlo situado na sua frente (Figs. 15,16).

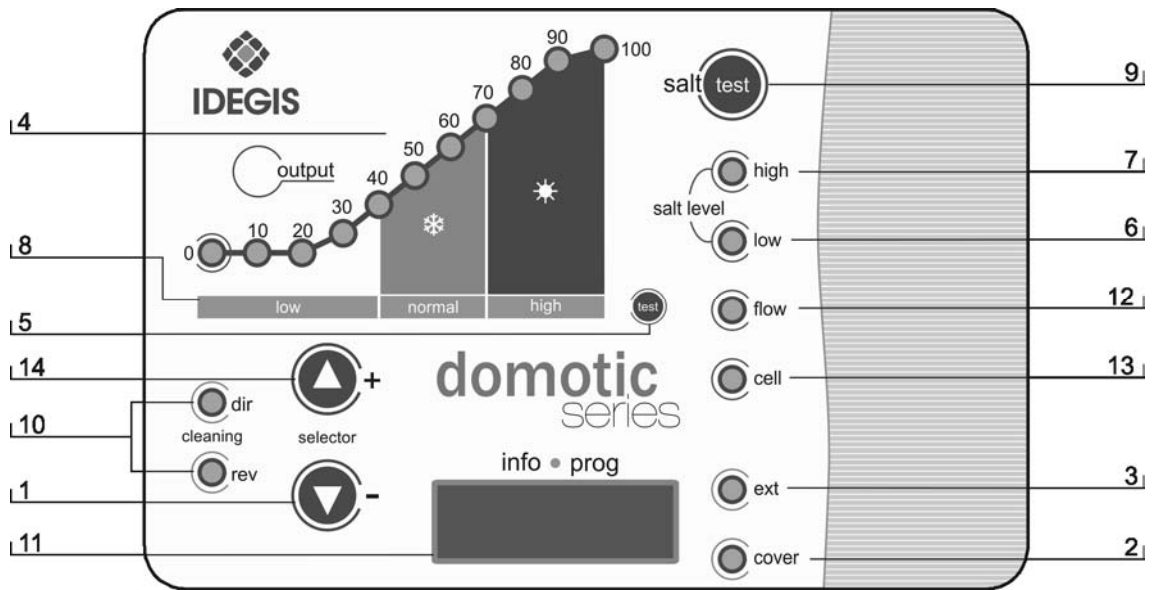


Fig. 15. Painel de controlo sistemas DOM-XX

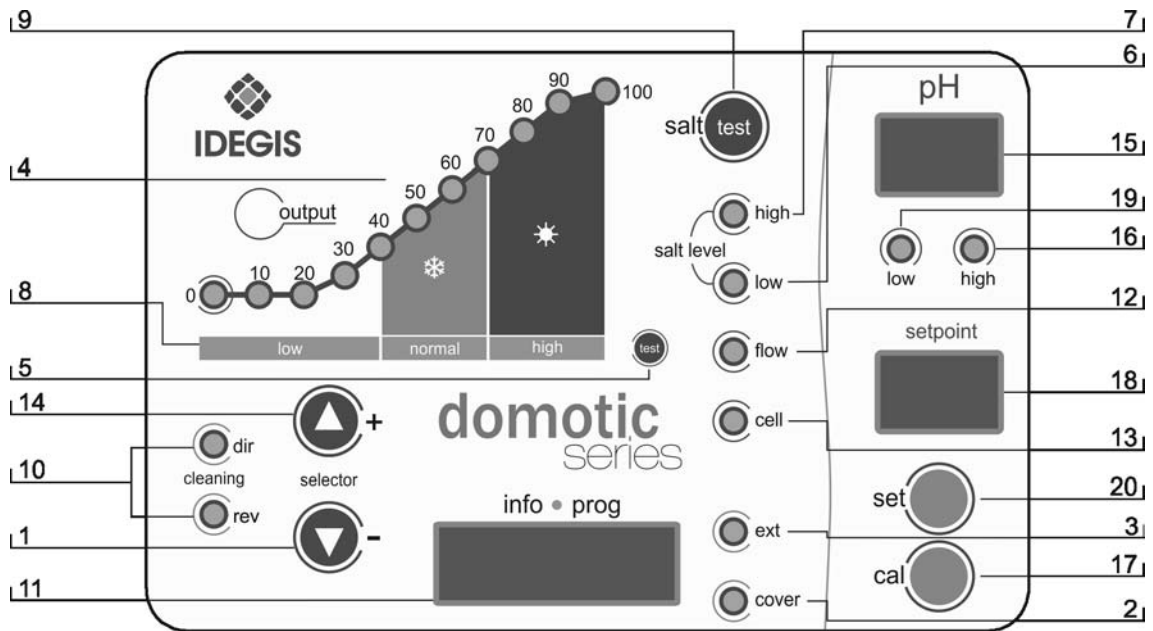


Fig. 16. Painel de controlo sistemas DOM -XX PH

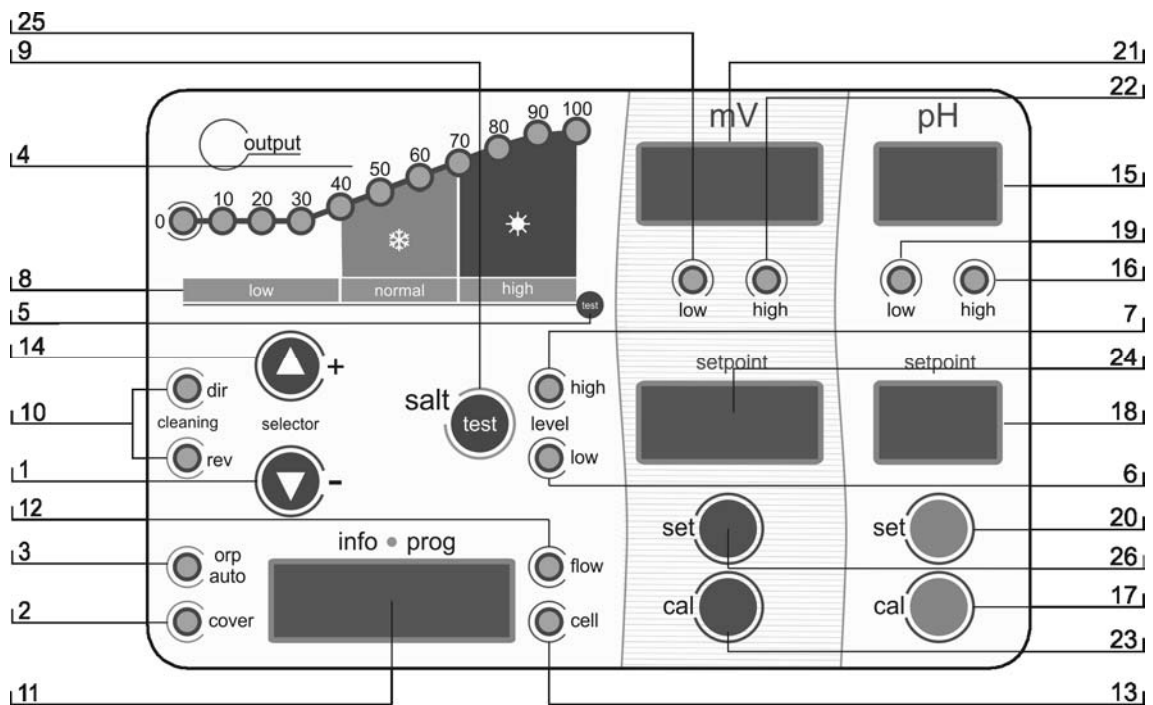


Fig. 16b. Painel de controlo sistemas DOM -XX PLUS

- | | |
|---|--|
| <ol style="list-style-type: none"> 1. Tecla "▼" (diminuir produção / navegação menus programação sistema) 2. Indicador de controlo COBERTA AUTOMÁTICA activado 3. Indicador de controlo ORP activado 4. Escala produção (%) 5. Escala TEST SALINIDADE 6. Indicador de SALINIDADE BAIXA 7. Indicador de SALINIDADE ELEVADA 8. Escala SALINIDADE (qualitativa) 9. Tecla para "TEST SALINIDADE" 10. Indicadores AUTO-LIMPEZA (polaridade (DIRECTA/INVERSA)) 11. Ecrã de INFORMAÇÃO do SISTEMA 12. Indicador de ALARME de FLUXO 13. Indicador de ALARME de PASSIVAÇÃO do ELÉCTRODO | <ol style="list-style-type: none"> 14. Tecla "▲" (aumentar produção / navegação menus programação sistema) 15. Ecrã de indicação do pH da água 16. Indicador de ALARME de PH ELEVADO (> 8.5) 17. Tecla para MODO CALIBRAGEM pH 18. Indicador do valor de pH programado 19. Indicador de ALARME de PH BAIXO (< 6.5) 20. Tecla para programar o valor de pH desejado 21. Ecrã de indicação do ORP da água. 22. Indicador de ALARME de ORP ELEVADO (> 850 mV) 23. Tecla para MODO CALIBRAGEM ORP 24. Indicador do valor de ORP programado 25. Indicador de ALARME de ORP BAIXO (< 600 mV) 26. Tecla para programar o valor de ORP desejado |
|---|--|

Para além das operações básicas, o Sistema de Electrólise de Sal DOMOTIC Series dispõe de três entradas para contactos sem tensão, os quais permitem a conexão dos controlos externos adicionais. Estas entradas encontram-se situadas no conector [CN7] da tarjeta de potência (Fig. 17).

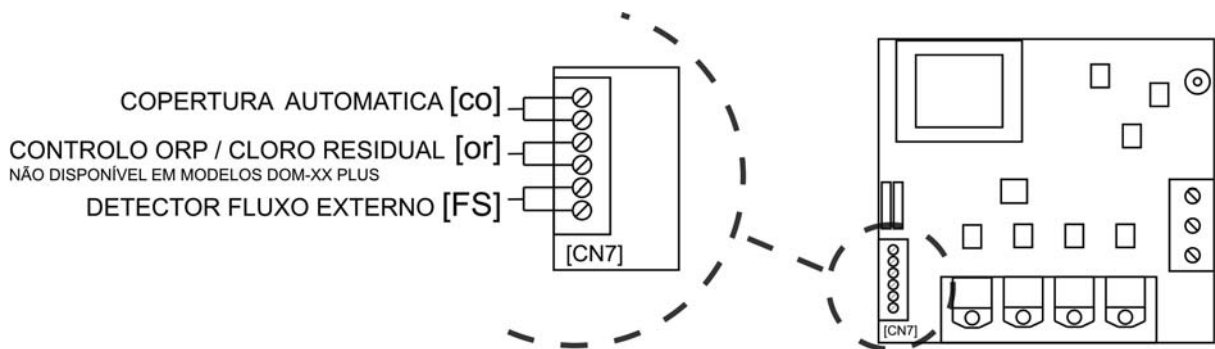


Fig. 17

A lógica associada a estas três entradas, assim como a sua ativação-desativação, pode-se programar durante o processo de configuração do sistema (ver Secção 5.2)

- **[FS] Controlo DETECTOR FLUXO EXTERNO OPCIONAL (não fornecido com o equipamento):** entrada para contacto livre de potencial. Quando o contacto ligado a esta entrada se abre (detector de fluxo externo em repouso), e a entrada [FS] foi configurada como [FS1c] durante a configuração do sistema, o sistema de electrólise vai desligar-se por alarme de fluxo. Ligar os cabos do detector do fluxo externo à entrada correspondente [FS] situada tarjeta de potência da unidade.

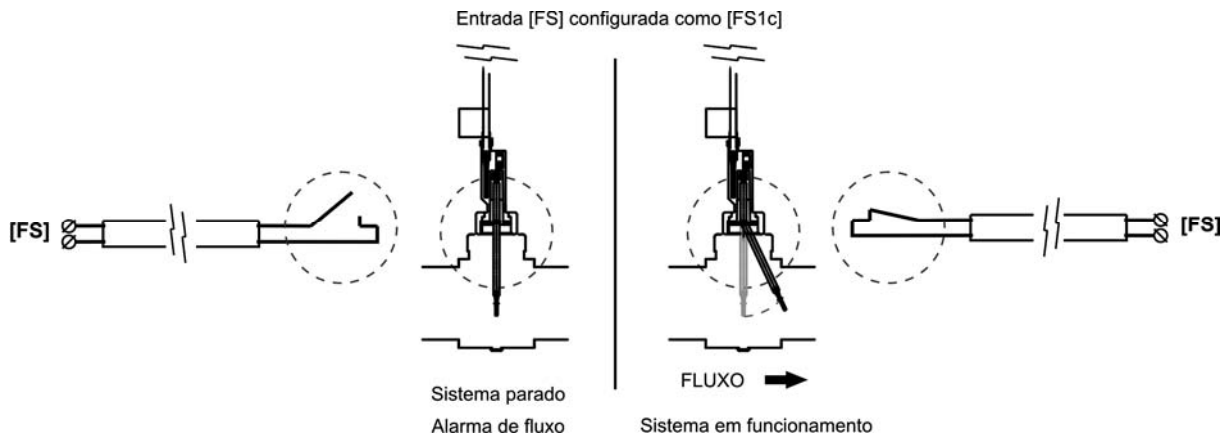


Fig. 18

- **[CO] Controlo COBERTA AUTOMÁTICA:** entrada para contacto livre de potencial. Esta entrada permite, em função do estado de contacto ligado à mesma, situado no quadro eléctrico da cobertura automática, programar uma redução de corrente da saída do equipamento para uma percentagem do seu valor nominal.

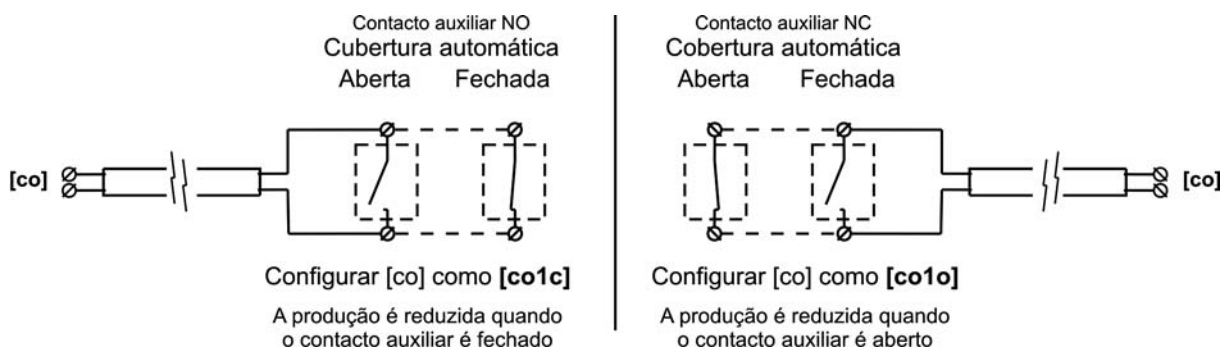


Fig. 19

- **[OR]** **Controlo ORP / CLORO RESIDUAL (não disponível em modelos DOM-XX PLUS):** entrada para contacto livre de potencial. Esta entrada pode ser utilizada para fazer interagir o sistema de electrólise com um controlador externo (ORP, CLORO RESIDUAL, FOTOMETRO, etc.). Para tal, ligar os cabos do controlador à entrada correspondente **[or]** situada na tarjeta de potência da unidade.

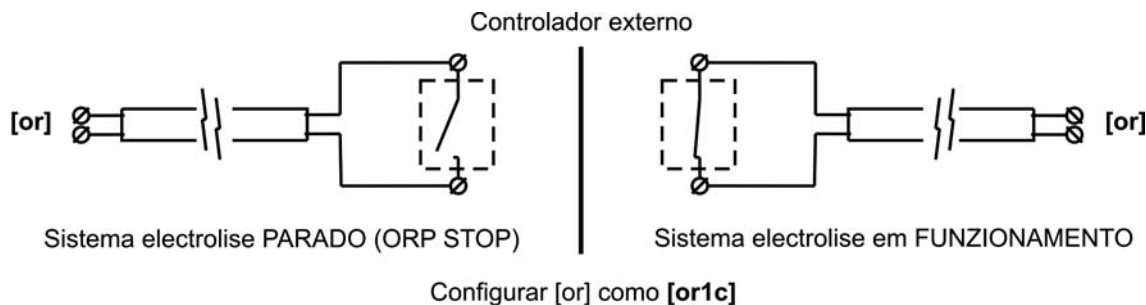


Fig. 20

4.8. Início

1. Assegurar-se de que o filtro esteja limpo a 100%, e de que a piscina e a instalação não contenham cobre, ferro e algas, bem como certificar-se de que todos os equipamentos de aquecimento instalados são compatíveis com a presença de sal na água.

2. Equilibrar a água da piscina. Isto nos permitirá obter um tratamento mais eficiente com a menor concentração de cloro livre na água, bem como um funcionamento mais prolongado dos eléctrodos além de uma menor formação de depósitos calcários na piscina.

a) O pH deve ser de 7.2-7.6

b) A alcalinidade total deve ser de 60-120 ppm.

3. Ainda que o sistema DOMOTIC Series possa trabalhar num intervalo de salinidade de 4 - 6 g/l., deve-se tentar manter o nível de sal no nível mínimo recomendado de 5 g/l, acrescentando 5 Kg. por cada m³ de água se a água não contiver previamente sal. Utilizar sempre sal comum (cloreto de sódio), sem aditivos como iodetos ou anti-espessantes, e com qualidade apta para consumo humano. Não adicionar nunca o sal através da célula. Aplicá-lo directamente na piscina ou no tanque de compensação (longe do ralo da piscina).

4. Ao acrescentar o sal, e no caso de que a piscina seja utilizada de forma imediata, efectuar um tratamento com cloro. Como dose inicial, é possível acrescentar 2 g/m³ de ácido tricloro-isocianúrico.

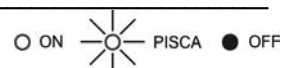
5. Antes de iniciar o ciclo de trabalho, desligue a fonte de alimentação e coloque a bomba do depurador em funcionamento durante 24 horas para garantir a completa solução do sal.

6. Depois coloque o sistema de electrólise salina em funcionamento, situando o nível de produção do mesmo, de modo que se mantenha o nível de cloro livre dentro dos níveis recomendados (0.5 - 1.5 ppm).

NOTA: para poder determinar o nível de cloro livre é preciso empregar um kit de análise.

7. Em piscinas com forte insolação ou utilização intensiva, é aconselhável manter um nível de 25-30 g/m³ de estabilizante (ácido isocianúrico). Em nenhuma hipótese poderá superar o nível de 75 g/m³. Isto será de grande ajuda para evitar a destruição do cloro livre presente na água pela acção da luz solar.

5. FUNCIONAMENTO:



5.1. Sistema parado

O sistema entra no modo “EM ESPERA” quando se prime sucessivamente a tecla “▼” [1] até que o indicador “0 %” fica a piscar. Nesta situação não existe produção na célula de electrólise.

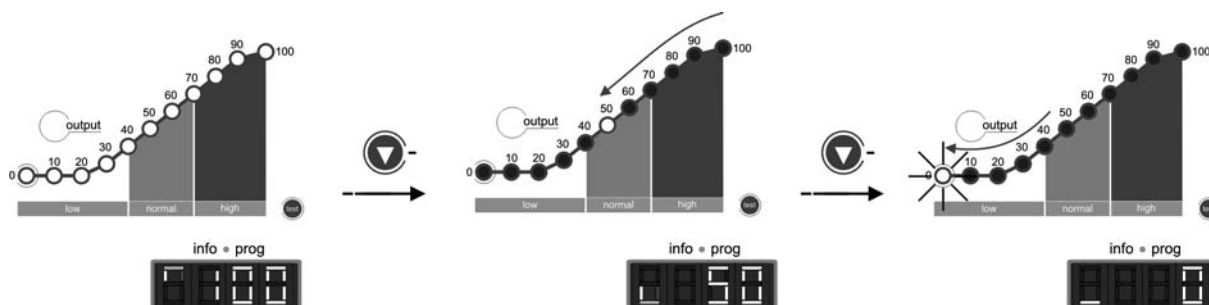
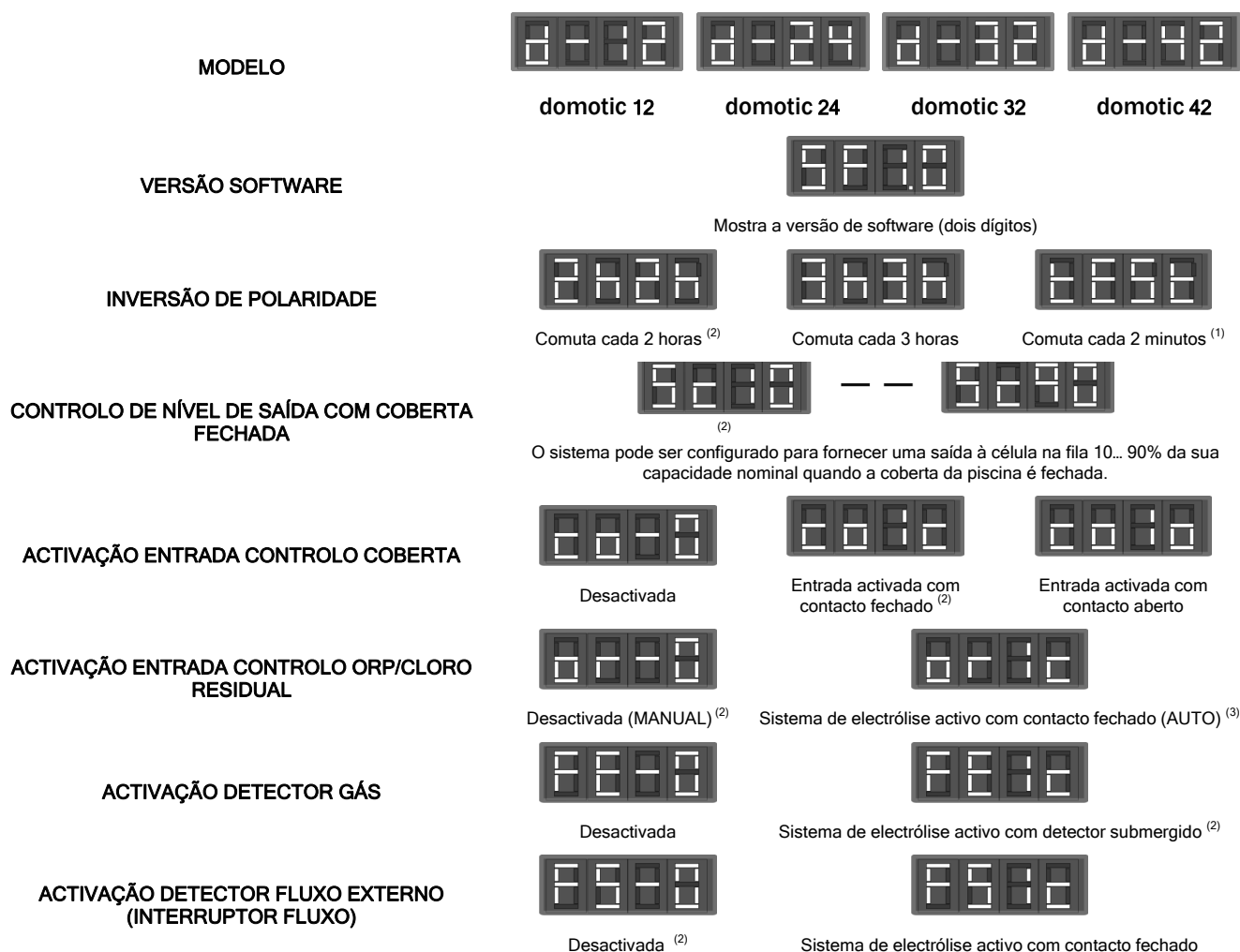


Fig. 21

5.2. Configuração do sistema

O sistema DOMOTIC Series pode ser reconfigurado através de um menu disponível a partir do painel de controlo. Para aceder a este menu é necessário parar previamente o sistema, do modo que é descrito no apartado 5.1. Assim que o sistema se encontra parado, prima durante alguns segundos a tecla “▼” [1] até que o ecrã de informação do sistema [11] mostre a palavra “CONF”. Para preparar a selecção de cada uma das opções em cada menu, mantenha premida durante aproximadamente 1 segundo a tecla “SALT TEST” [9]. Uma vez seleccionado o parâmetro desejado com as teclas “▼” [1] / “▲” [14], valide mantendo premida novamente durante 1 segundo a tecla “SALT TEST” [9] (ver Fig. 23). O processo de configuração permite estabelecer os seguintes parâmetros operativos do sistema:



⁽¹⁾ **ATENÇÃO:** utilizar este modo em exclusivo para tarefas de verificação e durante curtos períodos de tempo, uma vez que os eléctrodos podem ficar danificados. O sistema sai do modo teste automaticamente depois de desligá-lo.

⁽²⁾ Valores par defeito de fábrica.

⁽³⁾ Valores par defeito em modèles DOM-XX PLUS.

Fig. 22

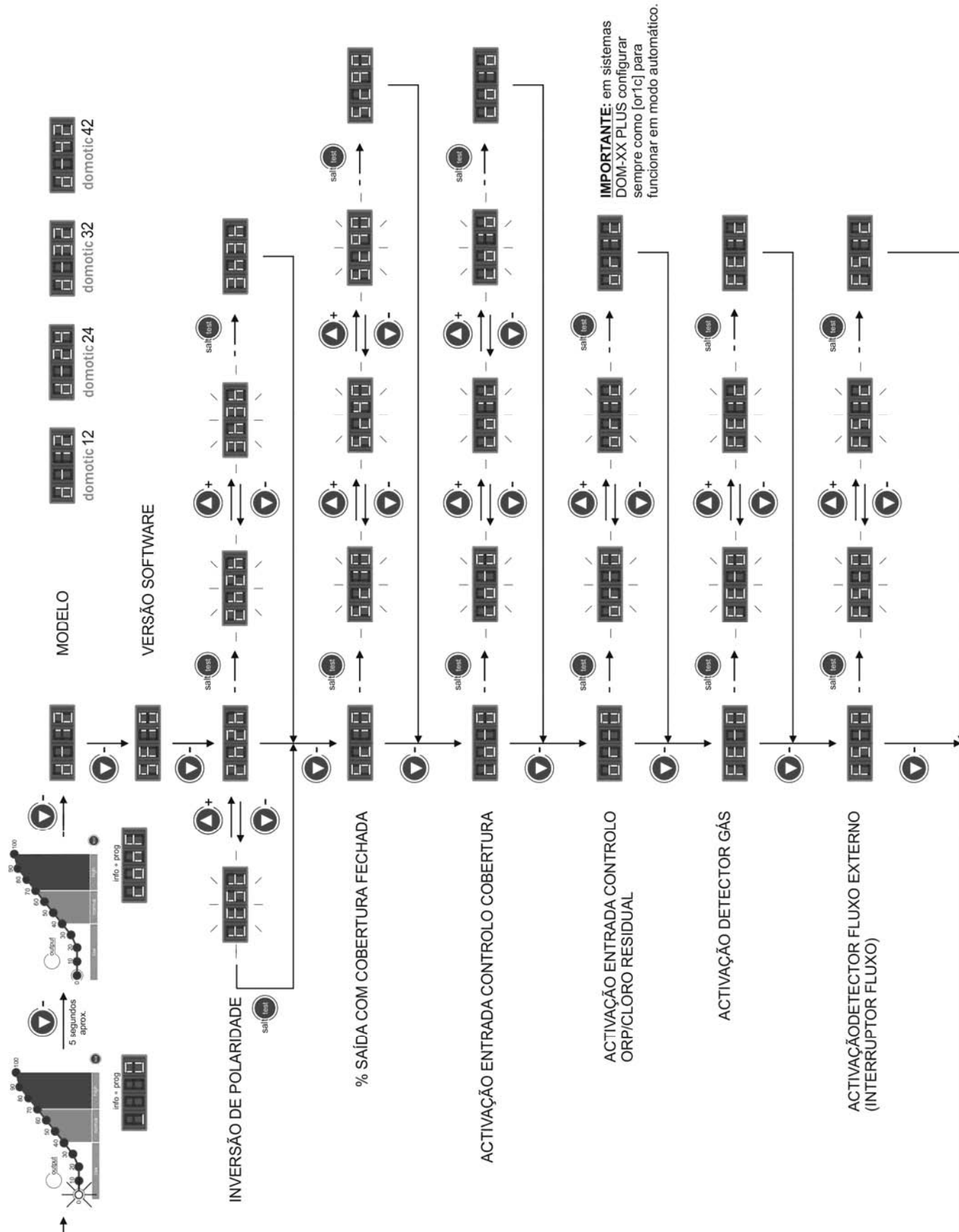


Fig. 23 Diagrama de fluxo de programação do sistema

5.3. Seleção do nível de produção

Para seleccionar o nível de produção desejado, prima sucessivamente as teclas “▼” [1] / “▲” [14] até que a luz correspondente ao nível de produção desejado fique a piscar. O ecrã de informação do sistema [11] indicará o valor correspondente à luz da escala de produção [4]. Passados alguns segundos, o sistema colocará a sua produção no nível seleccionado.

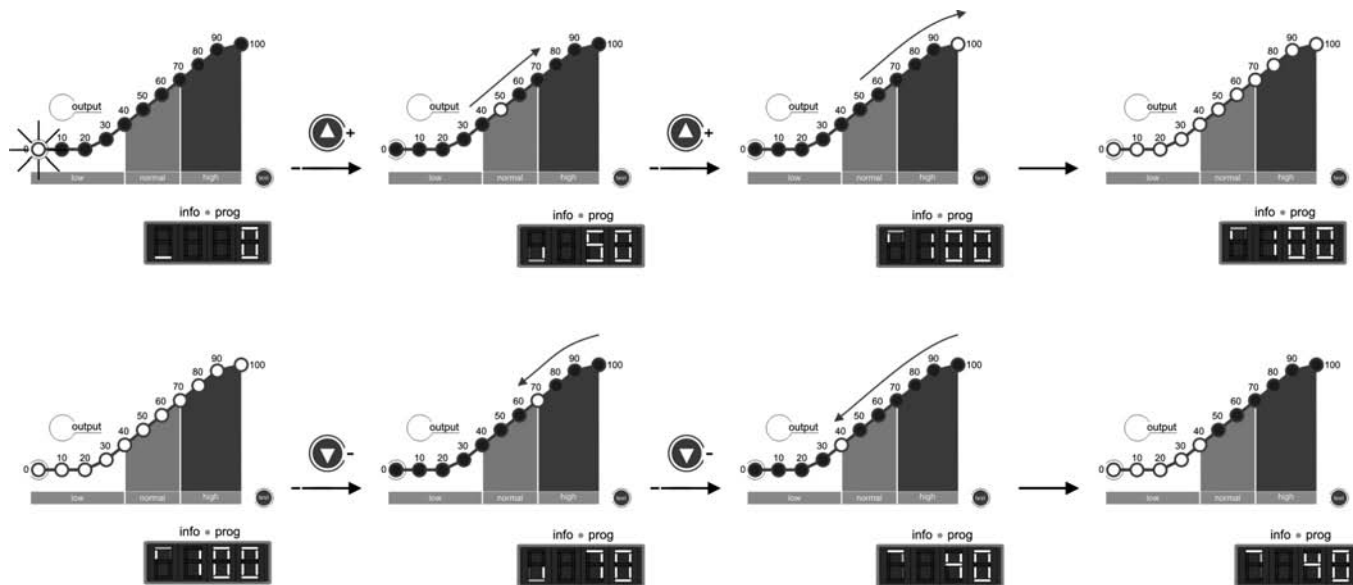


Fig. 24

Em condições normais, o valor de produção [4] deverá coincidir com o valor programado. No entanto, se existir um nível de sal na água fora do alcance (alarme de “HIGH SALT” [7] o “LOW SALT” [6] activados), ou um problema na célula de electrólise (alarme “CELL” [13] activado), o valor de produção alcançado [4] poderá ser inferior ao programado e mostrado no ecrã [11].

❄ **Modo INVERNO:** nos períodos de baixa temperatura na água escolher um nível de produção [1] entre o 50-60%.

5.4. Teste de salinidade

Os sistemas DOMOTIC Series dispõem de um sistema integrado para detectar o nível de salinidade da água da piscina. Para efectuar o teste referido, prima a tecla “SALT TEST” [9]. Durante a realização do teste, o led de indicação de produção vai oscilar entre o alcance de 20%-80% da escala de salinidade [5], mostrando alternativamente o texto “SALT” e “TEST” no ecrã de informação do sistema [11]. Uma vez terminado o teste, o led ficará a piscar durante alguns segundos na escala [5], sobre o valor de salinidade detectado (ver Fig. 25). Decorridos alguns segundos, o equipamento regressa ao modo de funcionamento normal.

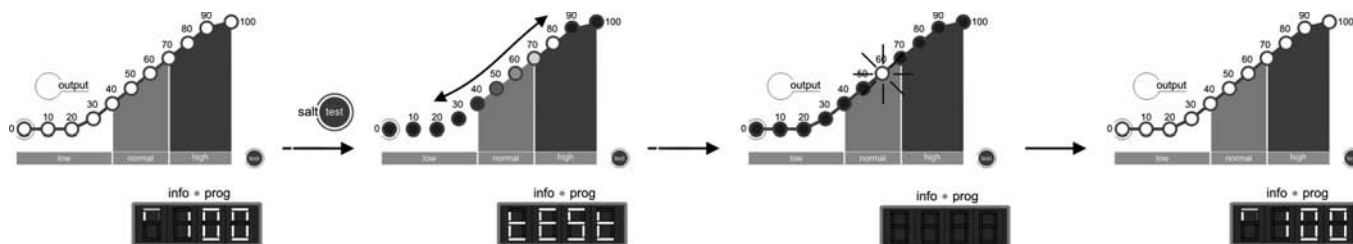


Fig. 25

É possível que o sistema indique níveis de sal inferiores aos reais se a temperatura for inferior a 20°C.

5.5. Controlador de pH/ORP integrado (modelos DOM-XX PH e DOM-XX PLUS)

O controlador de pH/ORP integrado vem ajustado pela fábrica com os seguintes parâmetros de programação.

Valor programado pH="7.2" / ORP="700 mV"

IMPORTANTE: para chegar a uma correcta regulação do pH, assegure-se de que a alcalinidade da água está no intervalo recomendado, entre 60-120 ppm de CaCO₃. Utilize um kit para verificar o nível de alcalinidade total da água, e ajuste-o manualmente caso seja necessário.

5.5.1. CONEXÃO DOS SENSORES DE PH / ORP

Conectar os sensores de pH/ORP fornecidos com a unidade aos conectores BNC correspondentes situados na base da unidade (Fig. 26).

5.5.2. CONEXÃO DA BOMBA DE DOSAGEM

Os sistemas DOMOTIC Series (modelos DOM-XX PH e DOM-XX PLUS) dispõem de uma ligação na sua base para a conexão de uma bomba doseadora para controlo do pH da água da piscina. A bomba doseadora pode ligar-se através do conector CEE22 fornecido em conjunto com o equipamento para esse fim (Fig. 26).

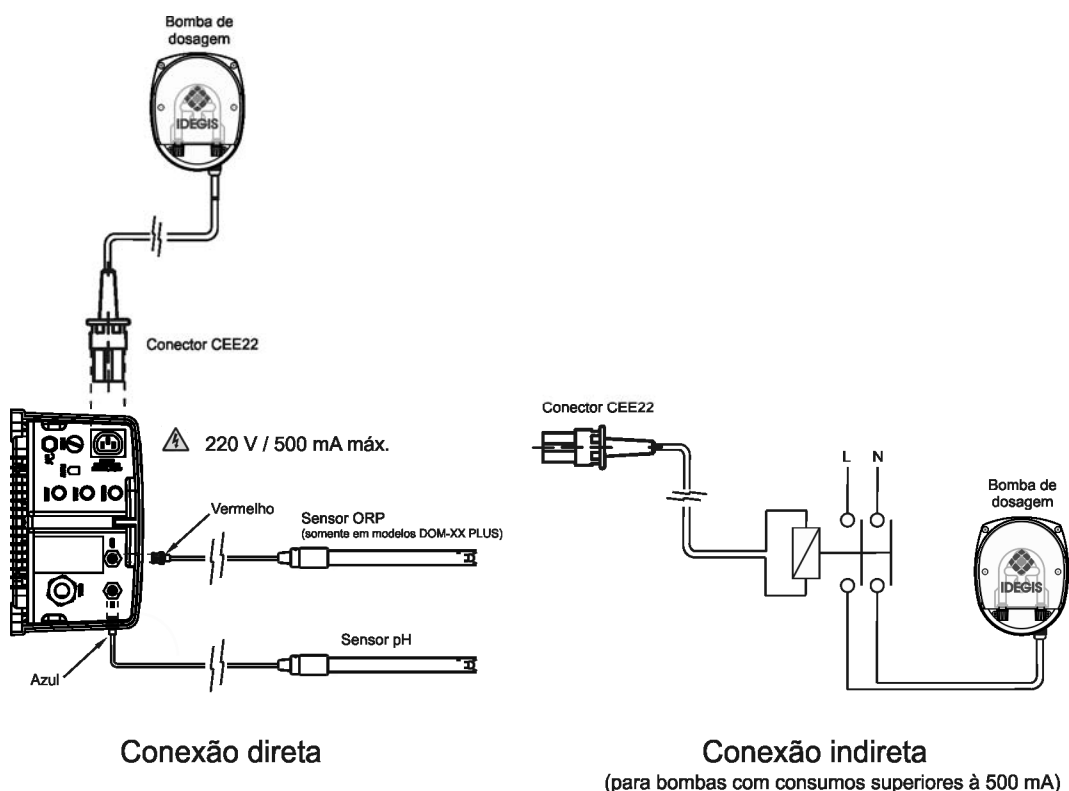


Fig. 26

5.5.3. PROGRAMAÇÃO DO VALOR DE PH DESEJADO

Manter premida a tecla "SET" [20] até que o ecrã [18] indique o valor de pH desejado dentro do alcance de 7.0 - 7.8. Uma vez seleccionado, largar a tecla.

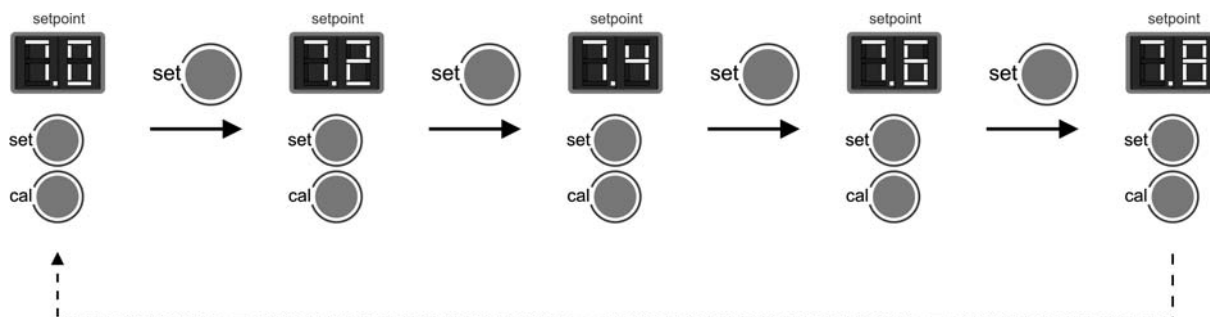


Fig. 27

5.5.4. PROGRAMAÇÃO DO VALOR DE ORP DESEJADO

Manter premida a tecla **"SET" [26]** até que o ecrã [24] indique o valor de ORP desejado dentro do alcance de 600 - 850 mV. Uma vez seleccionado, largar a tecla.

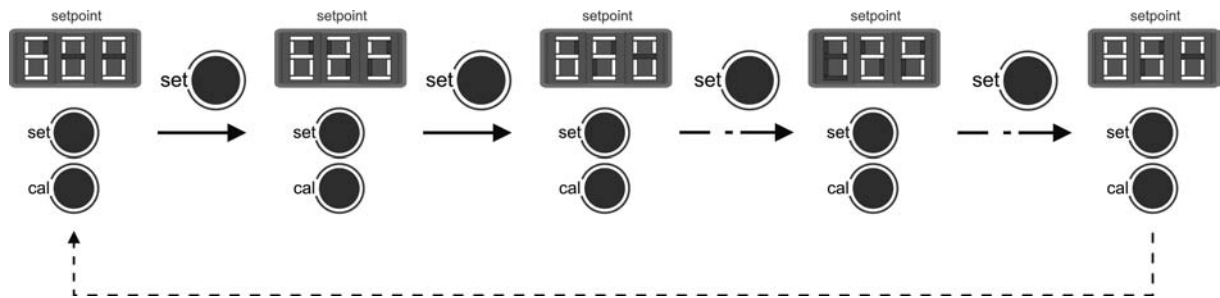


Fig. 27b

5.5.5. CONFIGURAÇÃO DA PARADA DE SEGURANÇA DA BOMBA DE DOSAGEM (FUNÇÃO PUMP-STOP)

O controlador de pH tem um sistema de segurança integrado (FUNÇÃO PUMP-STOP) atuando na bomba de dosagem que permite evitar as seguintes situações:

- Danos à bomba causados pelo funcionamento a seco (producto pH-minus esgotado).
- Mais de dosagem do produto minorador de pH (sensor danificado ou no fim da vida operacional).
- Problemas de regulação de pH devido à alta alcalinidade da água (piscina recém-cheia, níveis elevados de carbonato).

Quando a função PUMP-STOP está ativada (configuração de fábrica), o sistema pára a bomba de dosagem após um tempo programado sem ter atingido o ponto de ajuste de pH.

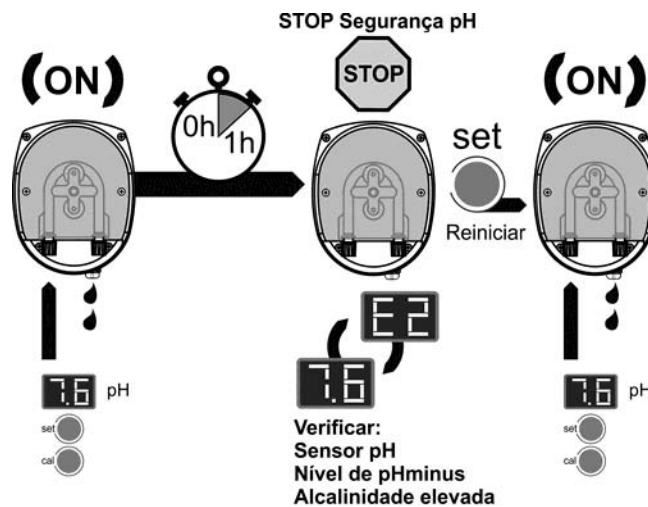


Fig. 27c

A função da PUMP-STOP está programada de fábrica para 60 minutos. Para alterar esse valor, siga o procedimento seguinte.



Fig. 27d

5.6. Alarmes

• NÍVEL DE SAL ELEVADO

No caso de se ter acrescentado sal em excesso, a fonte de alimentação irá diminuir de forma automática o nível de produção com referência ao seleccionado. O led "HIGH SALT" [7] vai manter-se iluminado. Neste caso, deve-se esvaziar uma parte da piscina, (por exemplo 10%) e acrescentar água fresca para diminuir a concentração de sal. Para um conhecimento preciso do nível de sal recomendamos que utilize um medidor portátil de salinidade-temperatura.

• NÍVEL DE SAL BAIXO

No caso do nível de sal na água da piscina estar abaixo do recomendado, a fonte de alimentação não poderá alcançar o nível de saída seleccionado. O led "LOW SALT" [6] vai manter-se iluminado. Neste caso, determinar o nível de salinidade da água e acrescentar o sal necessário. O tipo de sal comum (NaCl) indicado para a electrólise salina não deve apresentar aditivos (antiapelmazantes, iodetos) e deve ser apto ao consumo humano. É possível que o sistema indique um nível de sal baixo se a temperatura for inferior a 20°C. Para um conhecimento preciso do nível de sal recomendamos que utilize um medidor portátil de salinidade-temperatura.

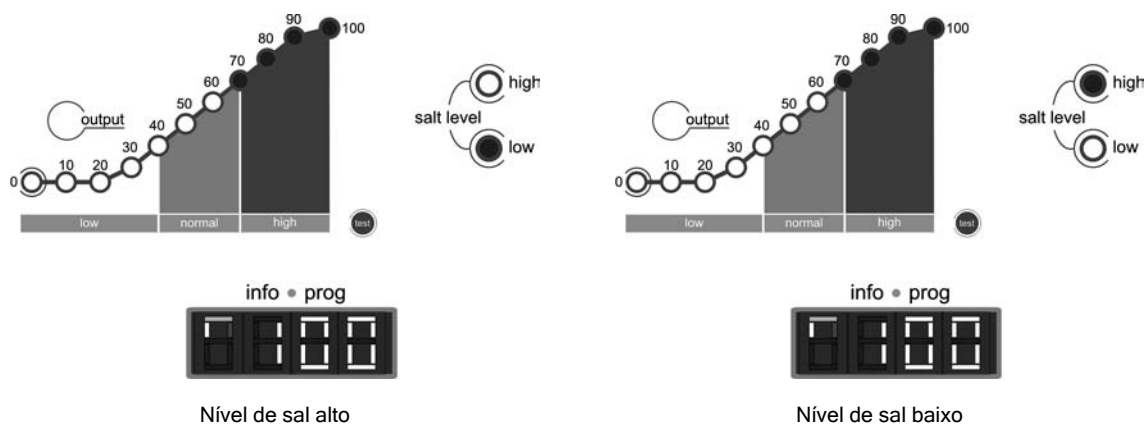
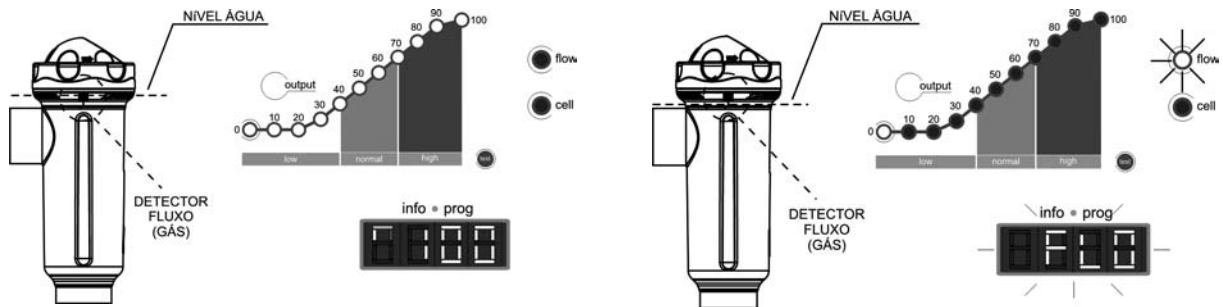


Fig. 28

- **NÍVEL DE ÁGUA EM CÉLULA/DETECTOR DE FLUXO (GÁS)**

Se em qualquer momento se formar uma bolha de ar ou de gás na parte superior da célula de electrólise e o DETECTOR DE FLUXO não estiver submerso, o sistema vai desligar automaticamente a produção, ficando a luz "FLOW" [12] a piscar, aparecendo também a mensagem "FLO" no ecrã de informações do sistema [11]. O sistema reinicia automaticamente assim que se restitua a passagem de água pela célula ou a bolha seja evacuada.



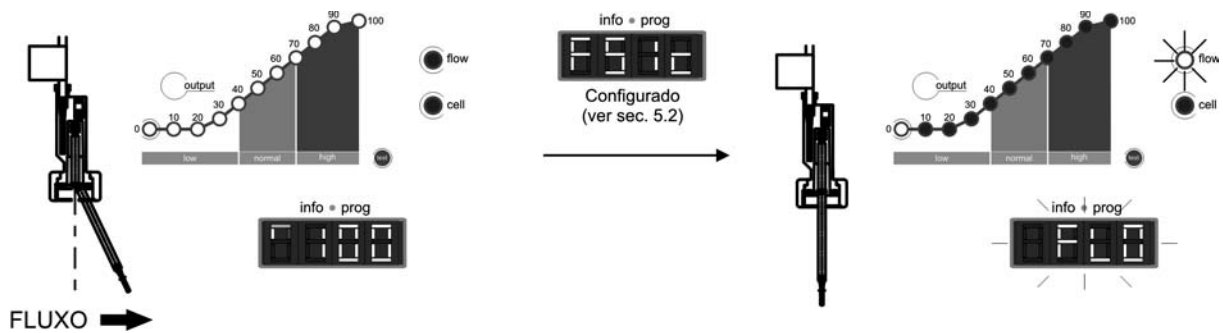
1. Detector de gás submerso. Fluxo correcto. Sistema em funcionamento.

2. Gás detectado. Sistema parado.

Fig. 29

- **DETECTOR FLUXO EXTERNO / INTERRUPTOR FLUXO OPCIONAL (não fornecido com o equipamento)**

Se durante o processo de configuração do sistema (secção 5.2) se activa a entrada do interruptor do fluxo externo (valor programado por defeito), o sistema vai desligar automaticamente a produção, ficando a luz "FLOW" [12] a piscar, aparecendo também a mensagem "FLO" no ecrã de informações do sistema [11]. O sistema reinicia automaticamente assim que se restitua a passagem de água pelo interruptor de fluxo.



1. Detector de fluxo activado (contacto fechado). Sistema em funcionamento.

2. Detector de fluxo em descanso (contacto aberto). Sistema parado.

Fig. 30

6. MANUTENÇÃO:

6.1. Manutenção da célula de electrólise

A célula deve ser mantida em condições adequadas para garantir um longo tempo de funcionamento. O sistema de electrólise salina conta com um sistema de limpeza automática dos eléctrodos. Assim, evita-se a formação de incrustações calcárias nos mesmos, portanto não se prevê a necessidade de efectuar nenhuma limpeza nos mesmos. No entanto, caso seja necessário realizar uma limpeza no interior da célula, proceder da seguinte forma:

1. Desligar a alimentação 230 Vac do equipamento.
2. Desenroscar a porca de fecho situada na extremidade onde se encontram os eléctrodos, e retirar o conjunto de eléctrodos.
3. Utilizar uma solução diluída de ácido clorídrico (uma parte de ácido em 10 partes de água), imergindo o grupo de eléctrodos na mesma durante 10 minutos no máximo.
4. NUNCA RASPAR NEM ESCOVAR A CÉLULA OU OS ELÉCTRODOS.

Os eléctrodos de um sistema de electrólise salina constituem-se por lâminas de titânio revestidas com uma camada de óxidos de metais nobres. Os processos de electrólise que têm lugar na sua superfície produzem o seu desgaste progressivo, portanto, com o fim de otimizar o tempo de duração dos mesmos, é preciso considerar os seguintes aspectos:

1. Apesar de se tratarem de sistemas de electrólise salina AUTO-LIMPANTES, o funcionamento prolongado do sistema com valores de pH acima de 7,6 em águas de alta dureza pode produzir a acumulação de depósitos calcários na superfície dos eléctrodos. Estes depósitos deteriorarão progressivamente o revestimento, ocasionando uma diminuição do seu tempo de vida útil.
2. A realização de limpezas/lavagens frequentes dos eléctrodos (como os descritos anteriormente) reduzirá a sua vida útil.
3. O funcionamento prolongado do sistema com salinidades inferiores a 3 g/l produz uma deterioração primatura dos eléctrodos.
4. A utilização frequente de produtos algicidas com alto conteúdo de cobre pode produzir a deposição do mesmo nos eléctrodos, danificando progressivamente o revestimento. Lembre-se que o cloro é o melhor algicida.

6.2. Calibragem do sensor de pH (só em modelos DOM-XX PH e DOM-XX PLUS)

O controlador de pH integrado conta com dois modos de calibragem do sensor de pH: "FAST" (rápido) e "STANDARD". Recomendamos efectuar a calibragem pelo menos uma vez por mês.

6.2.1. MODO "FAST"

O modo "FAST" permite a calibragem rotineira do sensor frente a pequenos desvios do mesmo **sem necessidade de extrair o sensor da instalação ou utilização de soluções padrão**.

PROCEDIMENTO:

1. Certificar-se de que o ponto onde se insere o sensor está imerso, e de que o depurador está em recirculação.
2. Por meio de um kit de medição de pH meça o pH actual da água da piscina.
3. Premir a tecla "CAL" [17] durante 5 seg. aproximadamente até que o equipamento emita um som e largar a tecla. O ecrã do pH programado [18], indicará "7.0" piscando.
4. Manter pressionada a tecla "SET" [20] até aparecer o valor de pH medido na água anteriormente, por meio do correspondente kit. Uma vez alcançado o valor, largar e premir a tecla "CAL" [17]. Caso não se detecte nenhum erro, o sistema ficará ajustado.

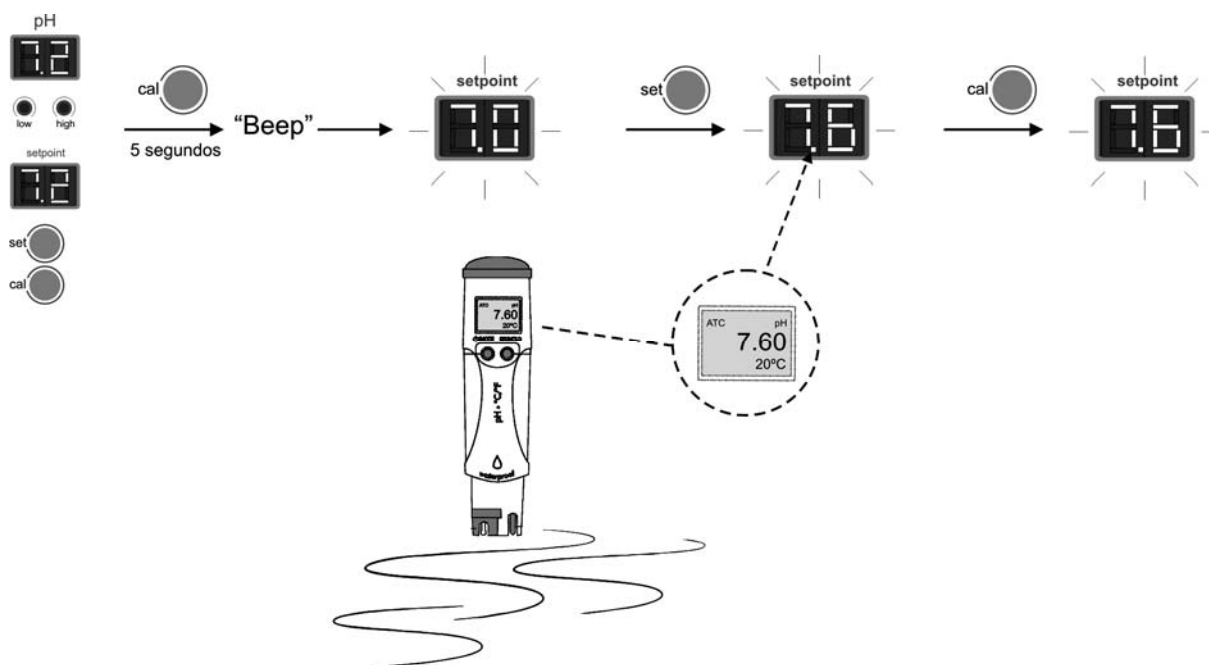


Fig. 32

6.2.2. MODO “ESTANDAR”

O modo “ESTANDAR” permite a calibragem precisa do sensor por meio do uso de duas soluções padrão de pH 7,0 e 4,0, no entanto requer a extração do sensor da instalação.

PROCEDIMENTO:

IMPORTANTE: antes de proceder com o fecho das válvulas de by-pass, parar o sistema no painel de controlo (ver Secção 5.1).

1. Extrair o sensor do porta-sensores e lavar com água em abundância.



Fig. 33

2. Premir a tecla “CAL” [17] aproximadamente durante 5 segundos até que o equipamento emita um som, e sem a soltar prima a tecla “SET” [20] durante alguns segundos, até que o ecrã de indicação do pH [15] indique “7.0” piscando.
3. Agitar suavemente o sensor para soltar as gotas de água que podem estar presas ao mesmo e introduzi-lo na solução padrão pH=7.0 (cor verde). Agitar suavemente durante uns segundos e premir a tecla “CAL” [17]. Uma vez estabilizada a leitura, no ecrã [15] ficará a piscar a indicação “4.0”.

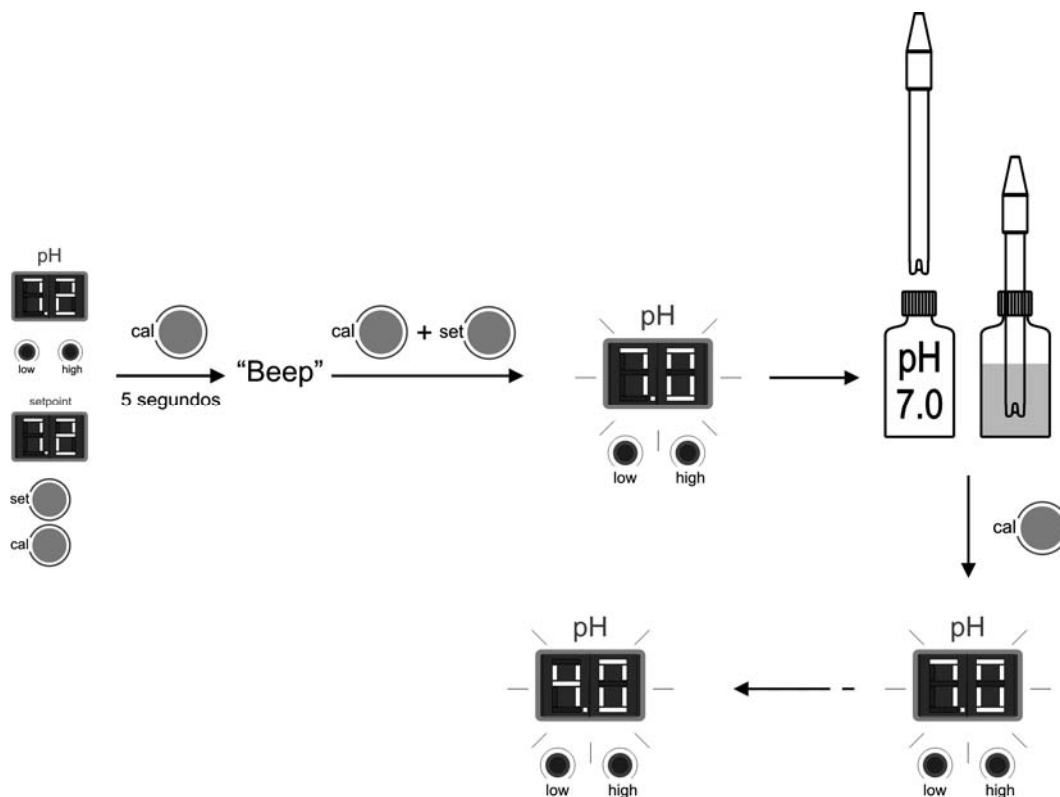


Fig. 34

4. Retirar o sensor da solução e enxaguar com água em abundância.
5. Agitar suavemente o sensor para desprender as gotas de água que podem ter ficado no mesmo e introduzir na solução padrão pH=4,0 (cor vermelho). Agitar suavemente durante alguns segundos e premir “CAL” [17]. Uma vez estabilizada a leitura, o regulador sairá automaticamente do modo de calibragem e ficará operativo.

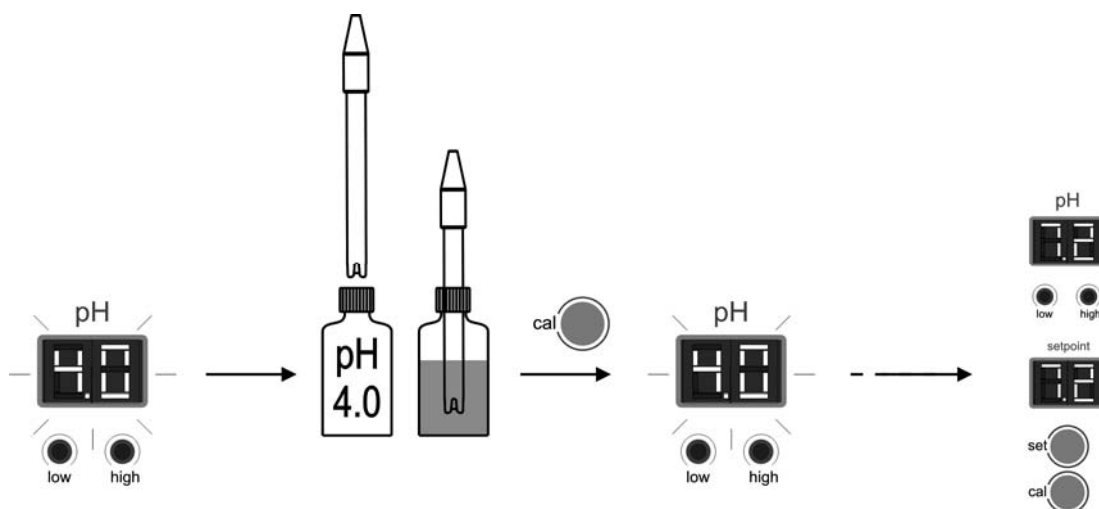


Fig. 35

MENSAGENS DE ERRO:



Se o processo de calibragem for interrompido por qualquer motivo, o regulador sairá automaticamente do modo calibragem uma vez transcorridos alguns segundos sem que se detecte a intervenção do utilizador. Neste caso, aparecerá durante alguns instantes a indicação **"E1"** no ecrã [15].



Se o valor de pH detectado durante a calibragem for muito diferente ao esperado (por exemplo sensor defeituoso, etc.), o ecrã [15] indicará **"E2"**, não permitindo a calibragem do mesmo.



Se a medida de pH for instável durante o processo de calibragem, aparecerá o código **"E3"** no ecrã [15]. Do mesmo modo, não se permitirá a calibragem do sensor.

6.3. Calibragem do sensor de ORP (só em modelos DOM-XX PLUS)

A frequência de calibragem do equipamento deverá ser determinada especificamente em cada aplicação. No entanto, recomendamos efectuarla pelo menos uma vez por mês durante a época de utilização da piscina. O regulador de ORP conta com um sistema de calibragem automática de sensores de ORP por meio do uso de uma solução padrão de 470 mV.

PROCEDIMENTO

IMPORTANTE: antes de proceder com o fecho das válvulas de by-pass, parar o sistema no painel de controlo (ver Secção 5.1).

1. Extraia o sensor do porta-sensores e lave-o com água em abundância.

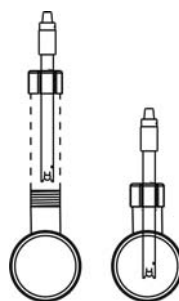


Fig. 36

2. Prima a tecla **"CAL"** [23] durante alguns segundos até o ecrã de indicação de ORP [24] piscar e indicar **"470"**.
3. Agite o sensor suavemente de modo que se eliminem as possíveis gotas de água que podem ter ficado no mesmo, e a seguir

introduza-o na solução de calibragem (470 mV). Agitar suavemente durante alguns segundos, e prima a tecla “CAL” [23]. Se o processo de calibragem foi concluído satisfatoriamente, escutar-se-á um beep longo, e o controlador ficará calibrado e preparado para funcionar.

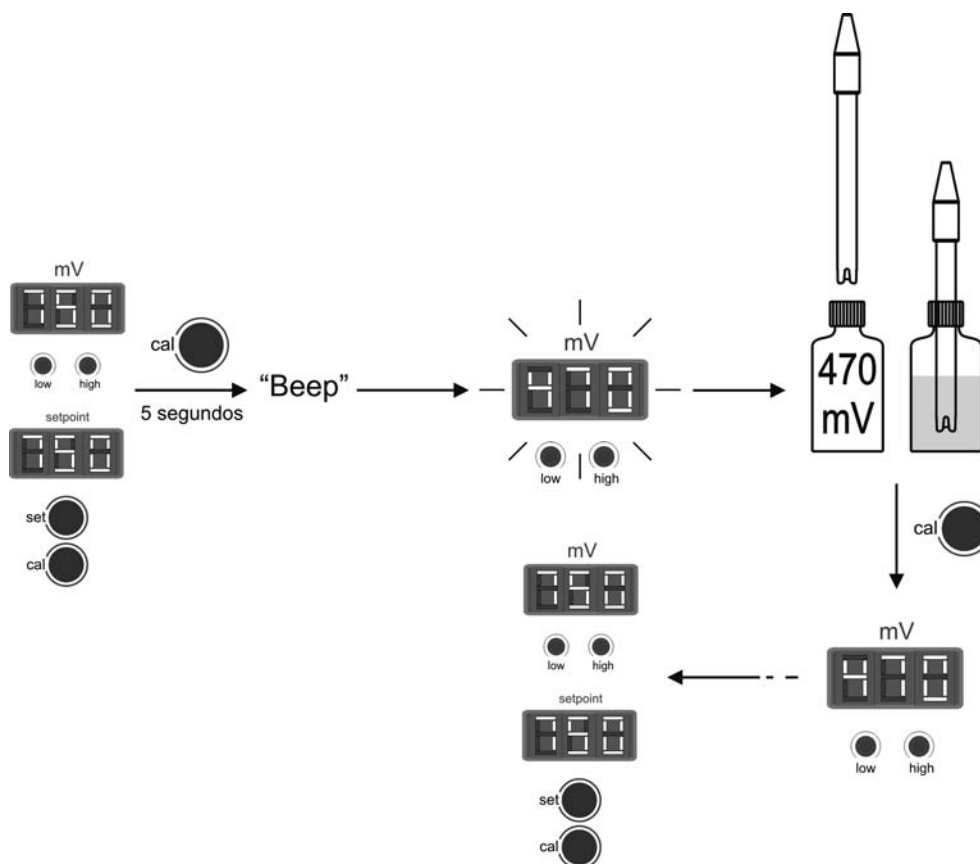
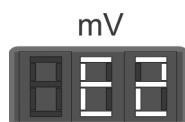


Fig. 37

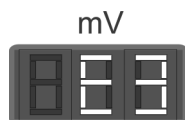
MENSAGENS DE ERRO:



Se o processo de calibragem for interrompido por qualquer motivo, o regulador sairá automaticamente do modo de calibragem uma vez transcorridos alguns segundos sem se detectar a intervenção do utilizador. Neste caso, aparecerá durante alguns instantes a indicação “E1” no ecrã [21].



Se o valor de ORP detectado durante a calibragem for muito diferente ao esperado (por exemplo sensor defeituoso, etc.), o ecrã [21] indicará “E2”, não permitindo a calibragem do mesmo.



Se a medida de ORP for instável durante o processo de calibragem, aparecerá o código “E3” no ecrã [21]. Do mesmo modo, não se permitirá a calibragem do sensor.

6.4. Manutenção do sensor de pH/ORP

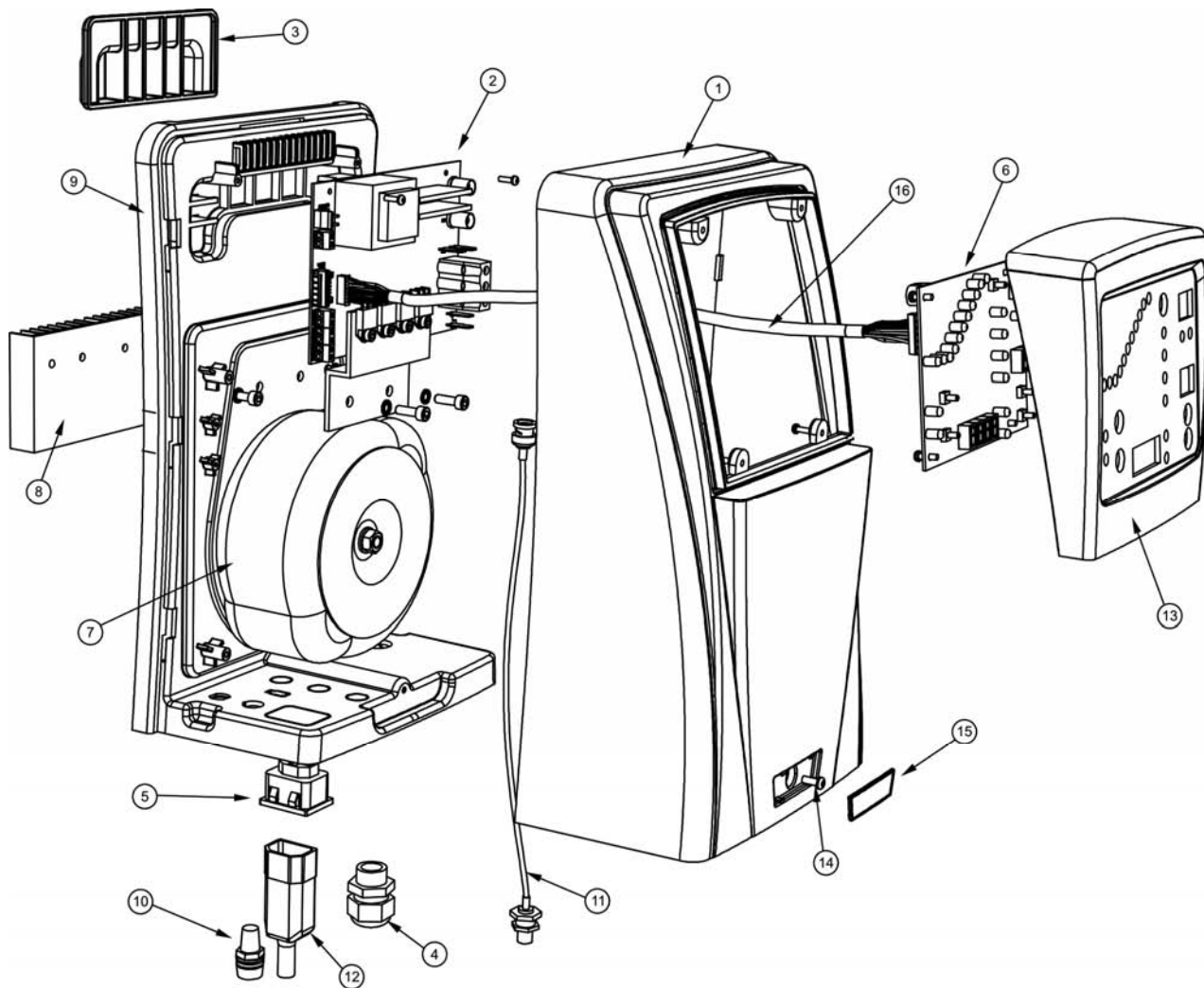
1. Verificar se a membrana do sensor está húmida todo o tempo.
2. Caso não se utilize o sensor durante um longo período, conservar submerso numa solução de conservação com pH=4.0
3. Para limpar o sensor da possível sujidade, evitar utilizar materiais abrasivos que possam arranhar a superfície de medição.
4. O sensor de pH/ORP é uma peça consumível e precisa ser substituído uma vez transcorrido determinado tempo de operação.

7. SOLUÇÃO DE PROBLEMAS:

Qualquer acção necessária para solucionar possíveis problemas no equipamento deve ser realizada sempre com o equipamento desligado da alimentação eléctrica. Os problemas não contemplados na lista abaixo devem ser solucionados por um técnico responsável da IDEGIS.

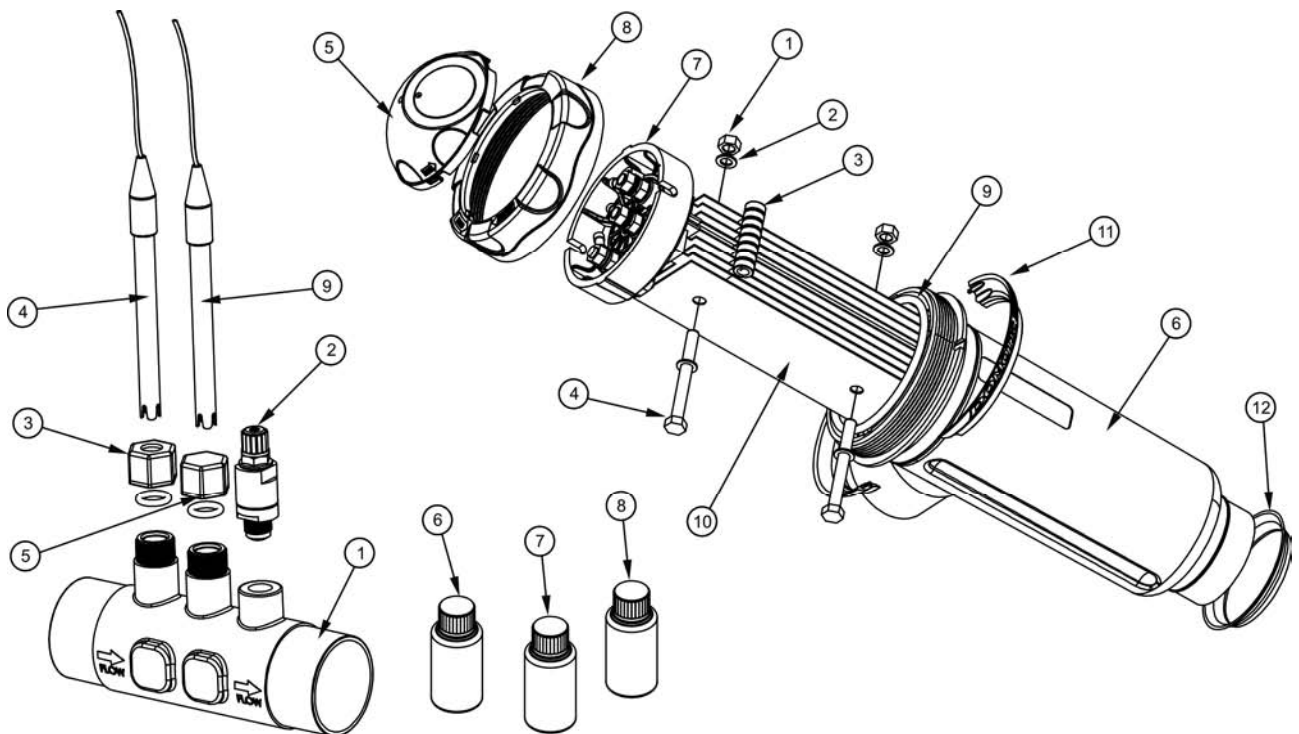
PROBLEMA	SOLUÇÃO
O indicador de produção indica sempre "0 em qualquer nível de produção escolhido.	<p>Verificar os eléctrodos.</p> <p>Verificar as conexões entre a fonte de alimentação e a célula de electrólise.</p> <p>Verificar a concentração de sal.</p>
A fonte de alimentação não liga.	<p>Verificar se o sistema está convenientemente conectado a 230 V/50-60 Hz no quadro de manobra da piscina.</p> <p>Verificar o estado do fusível localizado na parte inferior do equipamento.</p>
Os níveis de cloro livre na água são muito baixos	<p>Colher uma amostra nos bicos de retorno à piscina e efectuar uma análise ao cloro.</p> <p>Verificar se os parâmetros químicos da água (pH, cloro combinado, ácido isocianúrico) são correctos.</p> <p>Aumentar o tempo de filtração.</p> <p>Acrescentar estabilizante de cloro (ácido cianúrico) até alcançar um nível de 25 - 30 g/m³.</p>
O controlador sempre indica valores altos, ou as leituras são instáveis.	<p>O cabo de conexão do sensor está danificado. Limpe os contactos ou troque o cabo.</p> <p>O sensor tem bolhas de ar na zona da membrana. Instale o sensor na posição vertical. Agite suavemente até eliminar a bolha.</p> <p>Falha do sensor. O cabo de conexão é muito longo ou perto de fontes de interferência electromagnética (motores, etc.). Substitua o sensor. Instale o equipamento o mais perto possível do sensor.</p>
Impossível calibrar o sensor de pH/ORP	<p>A solução de calibragem está fora do prazo de validade ou contaminada.</p> <p>A membrana do sensor está bloqueada. Certifique-se de que a membrana não está danificada. Limpe o sensor com ácido diluído em água, agitando suavemente.</p> <p>Falha do sensor. Troque o sensor.</p>
Resposta do sensor muito lenta.	<p>Sensor com carga electrostática. Durante a fase de calibragem os sensores não devem ser secos com papel ou fibras. Limpe exclusivamente com água e agite suavemente.</p> <p>Renovação insuficiente da água analisada (fluxo nulo pelo ponto de amostragem). Certifique-se de que a extremidade do sensor está submersa no ponto de análise, e de que não há bolhas de ar.</p>

8. COMPONENTES:



FONTE DE ALIMENTAÇÃO

ID	CÓDIGO	DESCRIÇÃO	DOM 12	DOM 24	DOM 32	DOM 42	DOM 12 PH	DOM 24 PH	DOM 32 PH	DOM 42 PH	DOM 12 PLUS	DOM 24 PLUS	DOM 32 PLUS	DOM 42 PLUS	CANT
1	DOM00-13	Coberta fonte de alimentação	X	X	X	X	X	X	X	X	X	X	X	X	1
2	DOM10-03	Tarjeta potência AC-12	X												1
2	DOM18-03	Tarjeta potência AC-22		X											1
2	DOM25-03	Tarjeta potência AC-30			X										1
2	DOM40-03	Tarjeta potência AC-7				X									1
2	DOM10-04	Tarjeta potência AC-12/PH					X								1
2	DOM18-04	Tarjeta potência AC-22/PH						X							1
2	DOM25-04	Tarjeta potência AC-30/PH							X						1
2	DOM40-04	Tarjeta potência AC-7/PH								X					1
2	DOM10-05	Tarjeta potência AC-12/PH/ORP									X				1
2	DOM18-05	Tarjeta potência AC-22/PH/ORP										X			1
2	DOM25-05	Tarjeta potência AC-30/PH/ORP											X		1
2	DOM40-05	Tarjeta potência AC-7/PH/ORP												X	1
3	DOM00-14	Fixação parede	X	X	X	X	X	X	X	X	X	X	X	X	1
4	DOM00-03	Passa-cabos M20	X	X	X	X	X	X	X	X	X	X	X	X	1
5	DOM00-04	Conector CEE22 F bomba pH externa	X	X	X	X	X	X	X	X	X	X	X	X	1
6	DOM00-05	Tarjeta indicação electrólisis	X	X	X	X									1
6	DOM00-15	Tarjeta indicação electrólisis/pH	X	X	X	X	X	X	X	X					1
6	DOM00-26	Tarjeta indicação electrólisis/pH/ORP	X	X	X	X					X	X	X	X	1
7	DOM10-02	Transformador potência 190 VA	X				X				X				1
7	DOM18-02	Transformador potência 370 VA		X				X				X			1
7	DOM25-02	Transformador potência 480 VA			X				X				X		1
7	DOM40-02	Transformador potência 490 VA				X				X				X	1
8	DOM00-07	Dissipador exterior	X	X	X	X	X	X	X	X	X	X	X	X	1
9	DOM00-16	Estrutura interna controladores	X	X	X	X	X	X	X	X	X	X	X	X	1
10	DOM00-09	Porta-fusível	X	X	X	X	X	X	X	X	X	X	X	X	1
11	DOM00-10	Cabo BNC interno					1	1	1	1	2	2	2	2	1
12	DOM00-11	Conector CEE22 M bomba pH externa	X	X	X	X	X	X	X	X	X	X	X	X	1
13	DOM00-17	Coberta painel indicação	X	X	X	X	X	X	X	X	X	X	X	X	1
14	DOM00-18	Parafuso fixação coberta fonte aliment.	X	X	X	X	X	X	X	X	X	X	X	X	1
15	DOM00-19	Embelezador parafuso fixação coberta	X	X	X	X	X	X	X	X	X	X	X	X	1
16	DOM00-20	Cabo conexão tarjeta potência-indic.	X	X	X	X	X	X	X	X	X	X	X	X	1



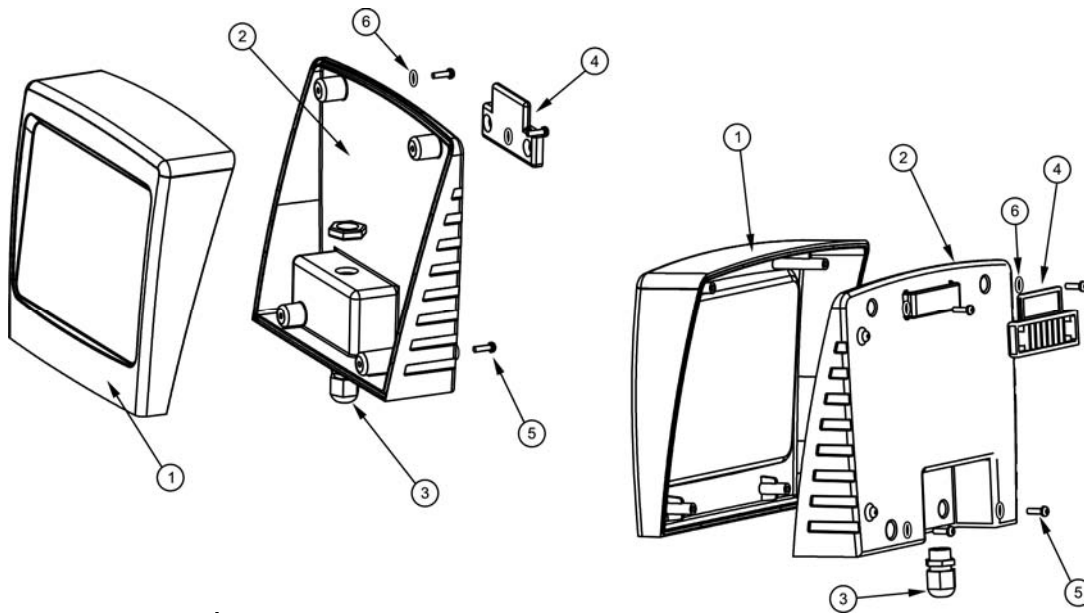
PORTA-SONDAS

ID	CÓDIGO	DESCRIÇÃO	DOM 12	DOM 24	DOM 32	DOM 42	DOM 12 PH	DOM 24 PH	DOM 32 PH	DOM 42 PH	DOM 12 PLUS	DOM 24 PLUS	DOM 32 PLUS	DOM 42 PLUS	CANT
1	R-127	Corpo porta-sondas					X	X	X	X	X	X	X	X	1
2	R-035	Válvula injeção pH-minus 3/8" *					X	X	X	X	X	X	X	X	1
3	R-028	Porta-eléctrodos PE 12 mm					1	1	1	1	2	2	2	2	1
4	H-035	Sensor pH					X	X	X	X	X	X	X	X	1
5	R-127-01	Tampão M25 H					X	X	X	X					1
6	R-025	Solução tampão pH 7.0 (cor verde)					X	X	X	X	X	X	X	X	1
7	R-026	Solução tampão pH 4.0 (cor vermelho)					X	X	X	X	X	X	X	X	1
8	R-027	Solução calibração ORP (470 mV)									X	X	X	X	1
9	RX-02	Sensor ORP EX									X	X	X	X	1

* no fornecida com o equipamento

CÉLULA DE ELECTRÓLISE

ID	CÓDIGO	DESCRIÇÃO	DOM 12	DOM 24	DOM 32	DOM 42	DOM 12 PH	DOM 24 PH	DOM 32 PH	DOM 42 PH	DOM 12 PLUS	DOM 24 PLUS	DOM 32 PLUS	DOM 42 PLUS	CANT
1	R-015-04	Porca M8 Nylon eléctrodos	X	X	X	X	X	X	X	X	X	X	X	X	1
2	R-015-02	Rondela PP 1 mm espessura	X	X	X	X	X	X	X	X	X	X	X	X	1
3	R-015-03	Separador PP eléctrodos	X	X	X	X	X	X	X	X	X	X	X	X	1
4	R-015-01	Parafuso PP M8 porta-eléctrodos	X	X	X	X	X	X	X	X	X	X	X	X	1
5	R-303	Cobertura protecção contactos	X	X	X		X	X	X		X	X	X		1
5	R-015-07	Cobertura prot. contactos DOM-42				X				X				X	1
6	R-301	Célula	X	X	X		X	X	X		X	X	X		1
6	R-010	Célula DOM-42				X				X				X	1
7	R-015-05 DOM	Suporte eléctrodos DOMOTIC	X	X	X		X	X	X		X	X	X		1
7	R-015-05 BIP	Suporte eléctrodos DOM-42				X				X				X	1
8	R-302	Rosca fecho célula	X	X	X		X	X	X		X	X	X		1
8	R-015-06	Rosca fecho célula DOM-42				X				X				X	1
9	R-300	Junta vaso	X	X	X		X	X	X		X	X	X		1
9	R-015-08	Junta vaso DOM-42				X				X				X	1
10	R-058	Eléctrodos DOMOTIC Series 10	X				X				X				1
10	R-059	Eléctrodos DOMOTIC Series 18		X				X				X			1
10	R-060	Eléctrodos DOMOTIC Series 25			X				X				X		1
10	R-204	Eléctrodos DOMOTIC Series 40				X				X				X	1
11	R-010-01	Anel embelezador superior	X	X	X		X	X	X		X	X	X		1
12	R-010-02	Anel embelezador saída célula	X	X	X		X	X	X		X	X	X		1



TERMINAL DESTACÁVEL OPCIONAL (não fornecido com o equipamento)

ID	CÓDIGO	DESCRIÇÃO	DOM 12	DOM 24	DOM 32	DOM 42	DOM 12 PH	DOM 24 PH	DOM 32 PH	DOM 42 PH	DOM 12 PLUS	DOM 24 PLUS	DOM 32 PLUS	DOM 42 PLUS	CANT
1	DOM00-021	Coberta	X	X	X	X	X	X	X	X	X	X	X	X	1
2	DOM00-022	Base painel indicação	X	X	X	X	X	X	X	X	X	X	X	X	1
3	DOM00-023	Passa-cabos M12	X	X	X	X	X	X	X	X	X	X	X	X	1
4	DOM00-024	Fixação parede	X	X	X	X	X	X	X	X	X	X	X	X	1
5	DOM00-025	Parafuso fixação 3x8 mm	X	X	X	X	X	X	X	X	X	X	X	X	4
6	DOM00-025	Junta parafuso	X	X	X	X	X	X	X	X	X	X	X	X	4

9. CARACTERÍSTICAS TÉCNICAS:

ESPECIFICAÇÕES TÉCNICAS:

Tensão de serviço standard

230V AC - 50/60 Hz.
Cabo: 3 x 1.0 mm², long. 2 m.
Domotic Series 12 0.36 A
Domotic Series 24 0.72 A
Domotic Series 32 0.89 A
Domotic Series 42 0.89 A

Fusível

Domotic Series 12 2A T (5x20 mm)
Domotic Series 24 3.15A T (5x20 mm)
Domotic Series 32 4A T (5x20 mm)
Domotic Series 42 4A T (5x20 mm)

Voltagem saída

8 - 9 V DC (24 V DC DOM40)
Cabo 3 x 4 mm², long. 2 m.
Domotic Series 12 12 A (2x6 A)
Domotic Series 24 24 A (2x12 A)
Domotic Series 32 32 A (2x16 A)
Domotic Series 42 42 A (6x7 A)

Produção

Domotic Series 12 10 - 12 g./h.
Domotic Series 24 20 - 24 g./h.
Domotic Series 32 25 - 32 g./h.
Domotic Series 42 34 - 42 g./h.

Fluxo recirculação mínimo

Domotic Series 12 2 m³/h.
Domotic Series 24 4 m³/h.
Domotic Series 32 6 m³/h.
Domotic Series 42 8 m³/h.

Número eléctrodos

Domotic Series 12 5
Domotic Series 24 7
Domotic Series 32 7
Domotic Series 42 13

Peso líquido (embalagem incluído)

Domotic Series 12 11 Kg.
Domotic Series 24 13 Kg.
Domotic Series 32 15 Kg.
Domotic Series 42 17 Kg.

CARACTERÍSTICAS GERAIS:

Sistema de controlo

- Microprocessador.
- Teclado de membrana com botões de controlo e indicadores de funcionamento.
- E/S controlo: 3 entradas tipo contacto livre de potencial para detector de fluxo externo, estado de cobertura automática e controlador ORP / Cloro residual.
- Saída célula: controlo de produção (11 níveis discretos).
- Controlador de pH integrado.
(só em modelos DOM-XX PH e DOM-XX PLUS)
- Controlador de ORP integrado.
(só em modelos DOM-XX PLUS)

Auto-limpeza

Inversão de polaridade automática

Temperature de trabalho

0°C a +40°C
Refrigeração: convecção natural

Material

Fonte de alimentação / terminal de controlo
○ ABS
Célula de electrólise e porta-sondas
○ Metacrilato transparente

Sensor pH (modelos DOM-XX PH e DOM-XX PLUS)

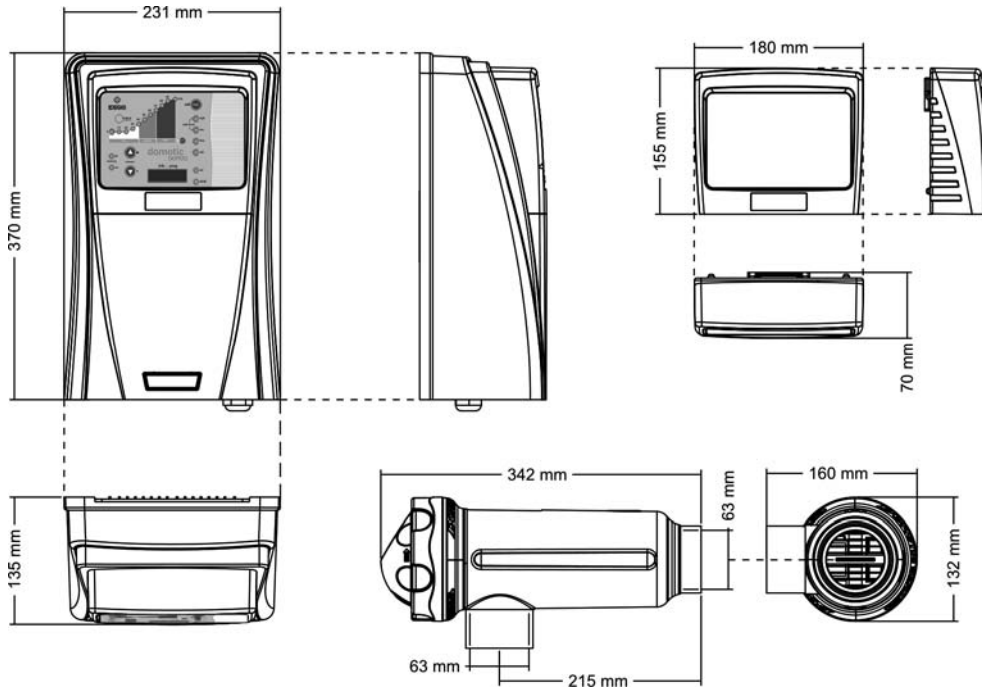
Corpo: plástico (cor azul)
Margem 0 -12 pH
Electrólito sólido

Sensor ORP (modelos DOM-XX PLUS)

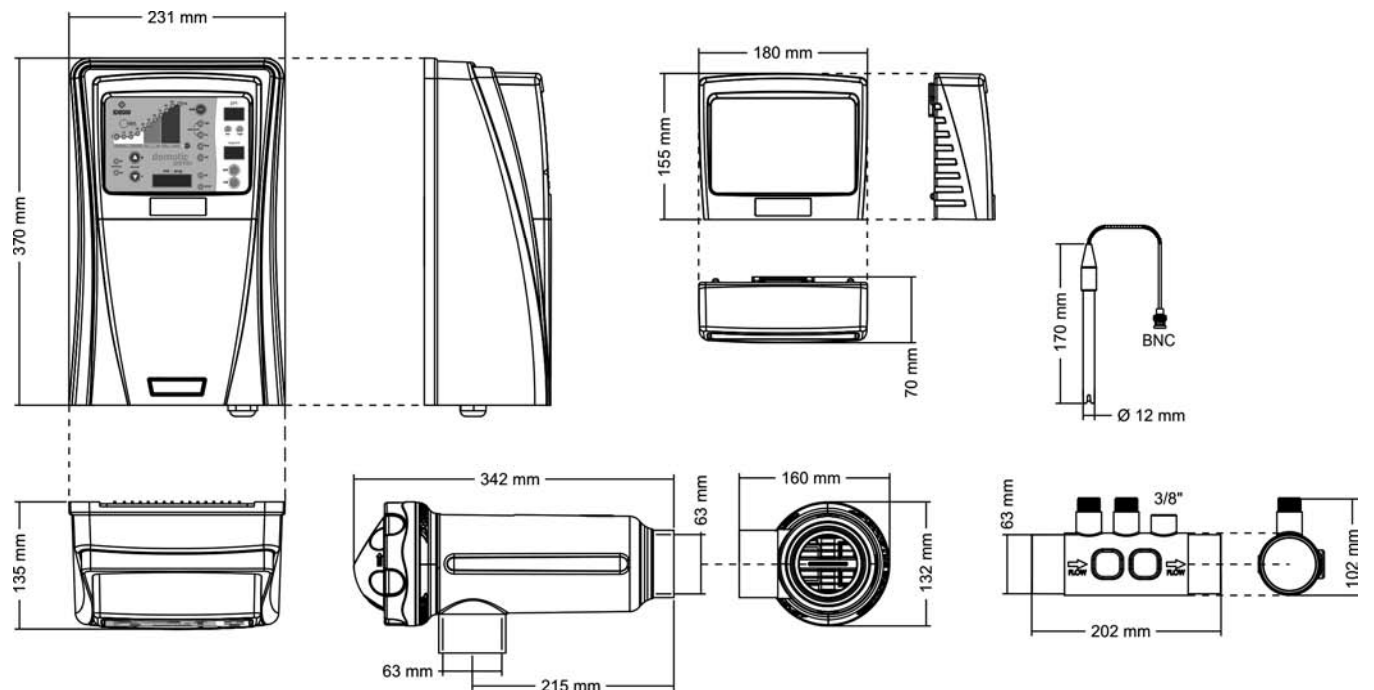
Corpo: plástico (cor vermelho)
Margem 0 -1000 mV
Electrólito sólido

Dimensões

DOMOTIC (modelos DOM-XX)



DOMOTIC PH / PLUS (modelos DOM-XX PH / DOM-XX PLUS)



10. CONDIÇÕES DE GARANTIA:

10.1. ASPECTOS GERAIS

- 10.1.1. De acordo com estas disposições, o vendedor garante que o Produto que corresponde a esta não apresente nenhuma falta de conformidade no momento da sua entrega.
- 10.1.2. O Período de Garantia Total é de 3 ANOS.
- 10.1.3. Garantias particulares:
 - 10.1.3.1. Os elétrodos estão cobertos por uma garantia especial de 5 ANOS ⁽¹⁾ ou 5 000 horas (o que ocorrer primeiro), sem extensões.
 - 10.1.3.2. Os sensores de pH/ORP estão cobertos por uma garantia de 6 MESES sem extensões.
 - 10.1.3.3. Estes períodos de garantia particulares estão especialmente sujeitos às limitações expostas na secção §10.3.2.
- 10.1.4. Se se verificar uma falta de conformidade do Produto e o comprador o notificar ao vendedor durante o período de garantia, o vendedor deverá reparar ou substituir o Produto a custo próprio no local que considerar oportuno, salvo se for impossível ou desproporcionado.
- 10.1.5. Quando não for possível reparar ou substituir o Produto, o comprador poderá solicitar uma redução proporcional do preço ou, se a falta de conformidade for suficientemente importante, a resolução do contrato de venda.
- 10.1.6. As partes substituídas ou reparadas no âmbito desta garantia não ampliam o prazo de garantia original do Produto, se bem que dispõem da sua própria garantia.
- 10.1.7. Para a efectividade da presente garantia, o comprador deverá autenticar a assinatura de aquisição e entrega do Produto.
- 10.1.8. Quando hajam decorrido mais de seis meses desde a entrega do Produto ao comprador e este alegue falta de conformidade daquele, o comprador deverá autenticar a origem e a existência do defeito alegado.
- 10.1.9. O presente Certificado de Garantia não limita ou prejudica os direitos que correspondam aos consumidores em virtude de normas nacionais de carácter imperativo.

10.2. CONDIÇÕES PARTICULARES

- 10.2.1. Para a eficácia desta garantia, o comprador deverá seguir estritamente as indicações do Fabricante incluídas na documentação que acompanha o Produto, quando esta for aplicável de acordo com a gama e modelo do Produto.
- 10.2.2. Quando for especificado um calendário para a substituição, manutenção ou limpeza de certas peças ou componentes do produto, a garantia só será válida quando seja correctamente cumprido o referido calendário.

10.3. LIMITAÇÕES

- 10.3.1. A presente garantia será unicamente de aplicar nas vendas realizadas a consumidores, entendendo-se por “consumidor” aquela pessoa que adquire o Produto com fins que não entram no âmbito da sua actividade profissional.
- 10.3.2. Os períodos de garantia particulares estabelecidos na secção §10.1.3. não serão aplicáveis em caso de utilização comercial do produto em instalações de acesso público (hotéis, centros desportivos, comunidades de proprietários, escolas, etc.). Nestes casos aplicar-se-á, a partir das 4 500 horas verificáveis de funcionamento, uma garantia de tipo proporcional ao tempo de funcionamento restante até ao período da garantia original de 5 000 horas.
- 10.3.3. Não se outorga qualquer garantia a respeito do normal desgaste pelo uso do produto, nem a respeito das peças, componentes e/ou materiais fungíveis ou consumíveis (com excepção do eléctrodo).
- 10.3.4. A garantia não cobre os casos em que o Produto: (i) tenha sido objecto de tratamento incorrecto; (ii) tenha sido inspeccionado, reparado, efectuada manutenção ou manipulado por pessoa não autorizada; (iii) tenha sido reparado ou efectuada manutenção com peças não originais ou (iv) tenha sido instalado ou colocado em funcionamento de modo incorrecto.
- 10.3.5. Quando a falta de conformidade do Produto seja consequência de uma instalação incorrecta ou funcionamento incorrecto, a presente garantia apenas responderá quando a dita instalação ou funcionamento esteja incluído no contrato de compra e venda do Produto e tenha sido realizada pelo vendedor ou sob a sua responsabilidade.
- 10.3.6. Danos ou falhas do produto devido a qualquer uma das seguintes causas:
 - o Programação do sistema e/ou calibragem inadequado das sondas de pH/ORP por o usuário
 - o Funcionamento com salinidade inferior a 3 g./l. de cloreto de sódio e/ou temperaturas inferiores à 15°C ou superiores à 40°C.
 - o Funcionamento com pH superior a 7,6.
 - o Emprego de produtos químicos não autorizados de forma expressa.
 - o Realização de tarefas de limpeza dos elétrodos com frequências injustificadamente altas, ou com produtos e/ou procedimentos diferentes dos descritos no Manual de Instruções.
 - o Exposição a ambientes corrosivos e/ou a temperaturas inferiores a 0°C (32°F) ou superiores a 50°C (125°F).

BELANGRIJK: Deze handleiding bevat uiterst belangrijke informatie over de veiligheidsmaatregelen die toegepast moeten worden bij de installatie en de inbedrijfstelling. Daarom is het noodzakelijk dat zowel de installateur als de gebruiker de handleiding doorlezen alvorens over te gaan tot de montage en inbedrijfstelling.
Bewaar deze handleiding voor toekomstige raadpleging met betrekking tot de werking van dit apparaat.



Behandeling van elektrische en elektronische apparaten die het einde van hun levensduur hebben bereikt (uitsluitend van toepassing op de E.U.)

De producten die voorzien zijn van dit symbool mogen aan het einde van hun levensduur niet met het huishoudelijk afval worden vermengd of aangeboden. De gebruiker is verantwoordelijk voor de afvoer van dit type afval en dient het apart aan te bieden op een daartoe aangewezen inzamelpunt voor elektrisch en elektronisch afval. Door dit type afval op de juiste manier te verwijderen en te recyclen, wordt een essentiële bijdrage geleverd aan het behoud van het milieu en de gezondheid van de gebruikers. Voor nadere informatie over de inzamelpunten voor dit type afval kunt u contact opnemen met de lokale autoriteiten.

De instructies die in deze handleiding zijn opgenomen, beschrijven de werking en het onderhoud van de zoutelektrolysesystemen van DOMOTIC Series DOM-XX, DOM-XX PH en DOM-XX PLUS. Om een optimaal rendement uit de zoutelektrolysesystemen van DOMOTIC Series te halen, is het raadzaam de onderstaande instructies op te volgen:

1. CONTROLEER DE INHOUD VAN DE VERPAKKING: _____

In de doos treft u de volgende onderdelen aan:

- Voeding.
- Elektrolysecel.
- Gecombineerde pH-sensor (uitsluitend bij de modellen DOM-XX PH en DOM-XX PLUS).
- ORP-EX-sensor (uitsluitend bij de modellen DOM-XX PLUS).
- IJkoplösungen pH 7.0 (groen) / pH 4.0 (rood) / ORP 470 mV (uitsluitend bij modellen DOM-XX PH en DOM-XX PLUS).
- Sondehouder (uitsluitend bij de modellen DOM-XX PH en DOM-XX PLUS).
- CEE22-connector (M) voor aansluiting van doseerpomp (uitsluitend bij de modellen DOM-XX PH en DOM-XX PLUS).
- Handleiding.

2. ALGEMENE EIGENSCHAPPEN: _____

Zodra het zoutelektrolysesysteem van DOMOTIC Series bij u geïnstalleerd is, is het nodig om een hoeveelheid zout in het water te laten oplossen. Dit zoute water stroomt door een elektrolysecel die zich in de zuiveringsinstallatie bevindt. Het zoutelektrolysesysteem van DOMOTIC Series bestaat uit twee elementen: een elektrolysecel en een voeding. De elektrolysecel is uitgerust met een bepaald aantal titanium platen (elektroden). Wanneer deze platen onder elektrische stroom worden gezet en er een zoutoplossing langs stroomt, wordt er vrij chloor geproduceerd.

Door de concentratie chloor in het badwater op een bepaald niveau te houden, kan de waterkwaliteit gewaarborgd worden. Het zoutelektrolysesysteem van DOMOTIC Series produceert chloor wanneer het recirculatiesysteem van het zwembad (pomp en filter) in bedrijf is.

De voeding beschikt over meerdere beveiligingsmechanismen, die geactiveerd worden bij een verminderde werking van het systeem, evenals over een microbesturingseenheid.

De zoutelektrolysesystemen van DOMOTIC Series beschikken over een automatisch reinigingssysteem dat de vorming van aanslag op de elektroden voorkomt. Daarnaast beschikken de systemen van de modellen DOMOTIC-PH en DOMOTIC-PLUS over een ingebouwde automatische pH-regelaar, evenals over een aanvullende ORP-regelaar in het geval van de DOMOTIC PLUS-modellen.

3. VEILIGHEIDSWAARSCHUWINGEN EN AANBEVELINGEN: _____

- De montage of bediening mag uitsluitend worden uitgevoerd door gekwalificeerd personeel.
- De geldende normen ter preventie van ongevallen, alsmede die met betrekking tot elektrische installaties, dienen in acht te worden genomen.
- De fabrikant draagt in geen geval aansprakelijkheid voor de montage, installatie of inbedrijfstelling, noch voor enige behandeling of inbouw van componenten, evenals alle werkzaamheden en toevoeging van onderdelen die niet in zijn eigen vestiging zijn uitgevoerd.
- De zoutelektrolysesystemen van DOMOTIC Series werken op 230 V AC / 50-60 Hz. Probeer niet om de voeding te wijzigen om op een andere spanning te kunnen werken.
- Controleer of alle elektrische aansluitingen stevig vastzitten om slechte contacten en daarmee gepaard gaande oververhitting te voorkomen.
- Alvorens over te gaan tot de installatie of vervanging van een van de systeemcomponenten, dient u te controleren of deze reeds losgekoppeld is van de netspanning. Gebruik uitsluitend reserveonderdelen die geleverd zijn door IDEGIS.
- Vanwege de warmte die het apparaat opwekt, is het van belang dat het geïnstalleerd wordt in een goed geventileerde ruimte en dat de ventilatiegaten vrijgehouden worden van enig object dat deze zou kunnen afdekken. Probeer niet om het apparaat in de nabijheid van brandbare materialen te installeren.
- De zoutelektrolysesystemen van DOMOTIC Series hebben een beschermingsgraad van IP24. In geen geval mogen ze geïnstalleerd worden in ruimtes die kwetsbaar zijn voor overstromingen.

VOEDING

BESCHRIJVING	MODEL			
	DOM-12 / DOM-12 PH / DOM-12 PLUS	DOM-24 / DOM-24 PH / DOM-24 PLUS	DOM-32 / DOM-32 PH / DOM-32 PLUS	DOM-42 / DOM-42 PH / DOM-42 PLUS
Bedrijfsspanning	230 V AC, 50/60 Hz.			
Uitgangsstroom (DC)	12 A (2x6 A)	24 A (2x12 A)	32 A (2x16A)	42 A (6x7A)
Productie (g/u)	10 - 12	20 - 24	25 - 32	34 - 42
Inhoud zwembad (m ³) Lauw: 16 - 24°C Warm: +25°C	60 50	100 80	160 120	200 160
Stromingsdetector	Gasdetector			
Saliniteits- / Temperatuurbereik	3 - 12 g/l / +15 - 40°C			
Elektroden	ZELFREINIGEND gecoat titanium Geschatte levensduur: 4000 - 7000 bedrijfsuren			
Productieregeling	0 - 100 % (11 productieniveaus)			
Afdekkingsregeling	Ingang voor potentiaalvrij contact Productiebeperking programmeerbaar vanaf het bedieningspaneel bij een gesloten afdekking [10%... 90%]			
Polariteitsomkering	Programmeerbaar vanaf het bedieningspaneel: 2/3 uren + testmodus			
Externe regeling	Twee ingangen voor potentiaalvrij contact voor de externe stromingsdetector en de ORP/AFVALCHLOOR-regelaar. Programmeerbare logica van de contacten vanaf het bedieningspaneel van de eenheid			
Zoutgehaltebeveiliging	Automatische productiebeveiliging			

ELEKTROLYSECEL

BESCHRIJVING	MODEL			
	DOM-12 / DOM-12 PH / DOM-12 PLUS	DOM-24 / DOM-24 PH / DOM-24 PLUS	DOM-32 / DOM-32 PH / DOM-32 PLUS	DOM-42 / DOM-42 PH / DOM-42 PLUS
Minimumdebiet	2 m ³ /u	4 m ³ /u	6 m ³ /u	8 m ³ /u
Aantal elektrodes	5	7	7	13
Materiaal	Methacrylaatderivaat			
Buisaansluitingen	Geplakt met lijm voor PVC-buizen Ø 63 mm.			
Maximaal aanbevolen druk	1 kg/cm ²			
Bedrijfstemperatuur	Lager dan 40°C			

PH- / ORP-REGELAAR

BESCHRIJVING	MODEL			
	DOM-12 PH DOM-12 PLUS	DOM-24 PH DOM-24 PLUS	DOM-32 PH DOM-32 PLUS	DOM-42 PH DOM-42 PLUS
Meetbereik	0.0 - 9.9 (pH) / 0 - 999 mV (ORP)			
Regelbereik	7.0 - 7.8 (pH) / 600 - 850 mV (ORP)			
Nauwkeurigheid	± 0.1 pH / ± 1 mV			
IJking	Automatisch met behulp van ijkoplossingen			
Regelingsuitgangen [pH]	1 uitgang van 230 V AC / 500 mA voor aansluiting doseerpomp			
PH- / ORP-sensoren	Epoxy behuizing, 12x150 mm., eenvoudige verbinding, 0-80°C BLAUW, bereik 0 - 12 (pH), ROOD, bereik 0 - 1000 mV (ORP)			

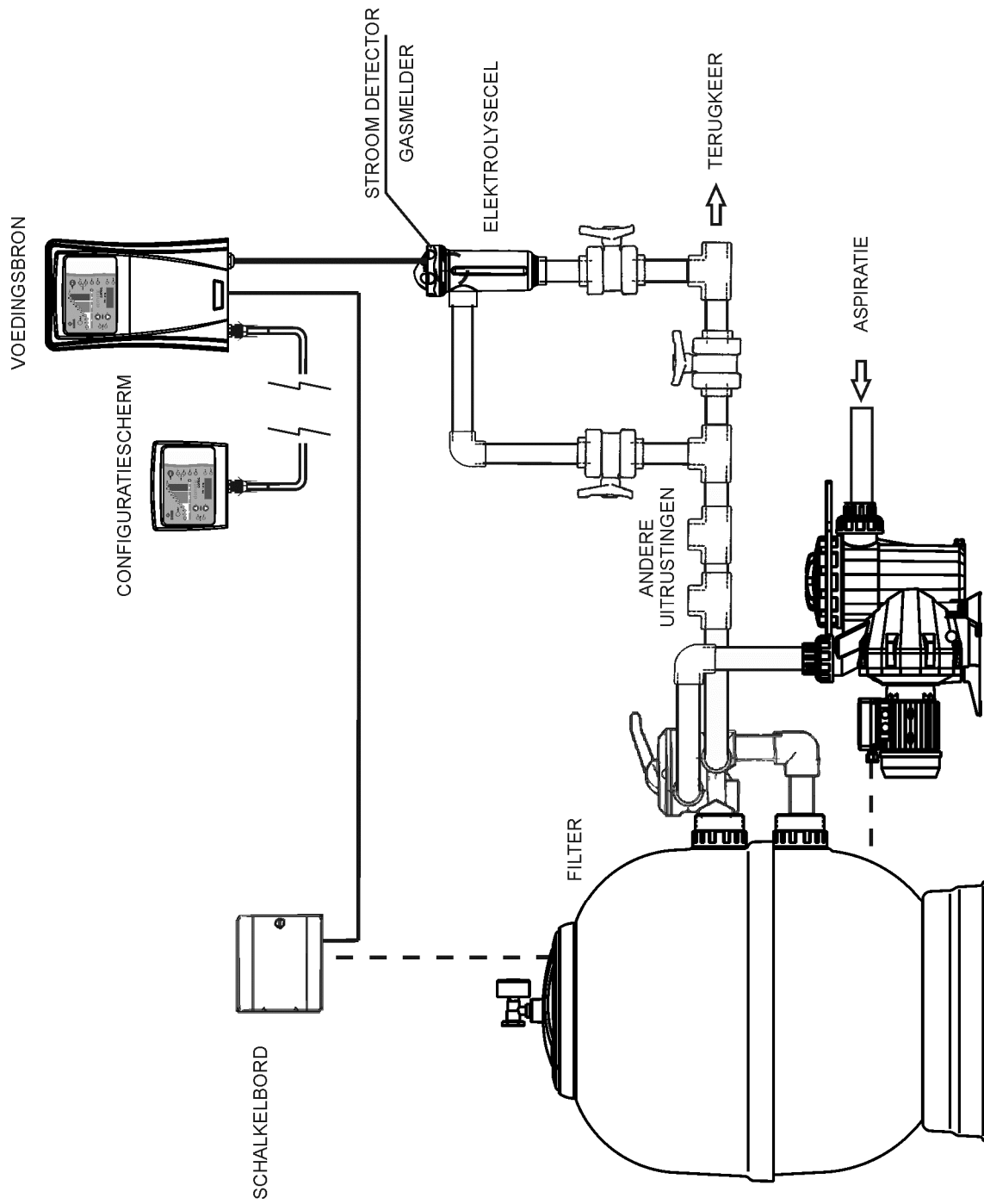


Fig.1 Diagram aanbevolen installatie (modellen DOMOTIC Series DOM-XX).

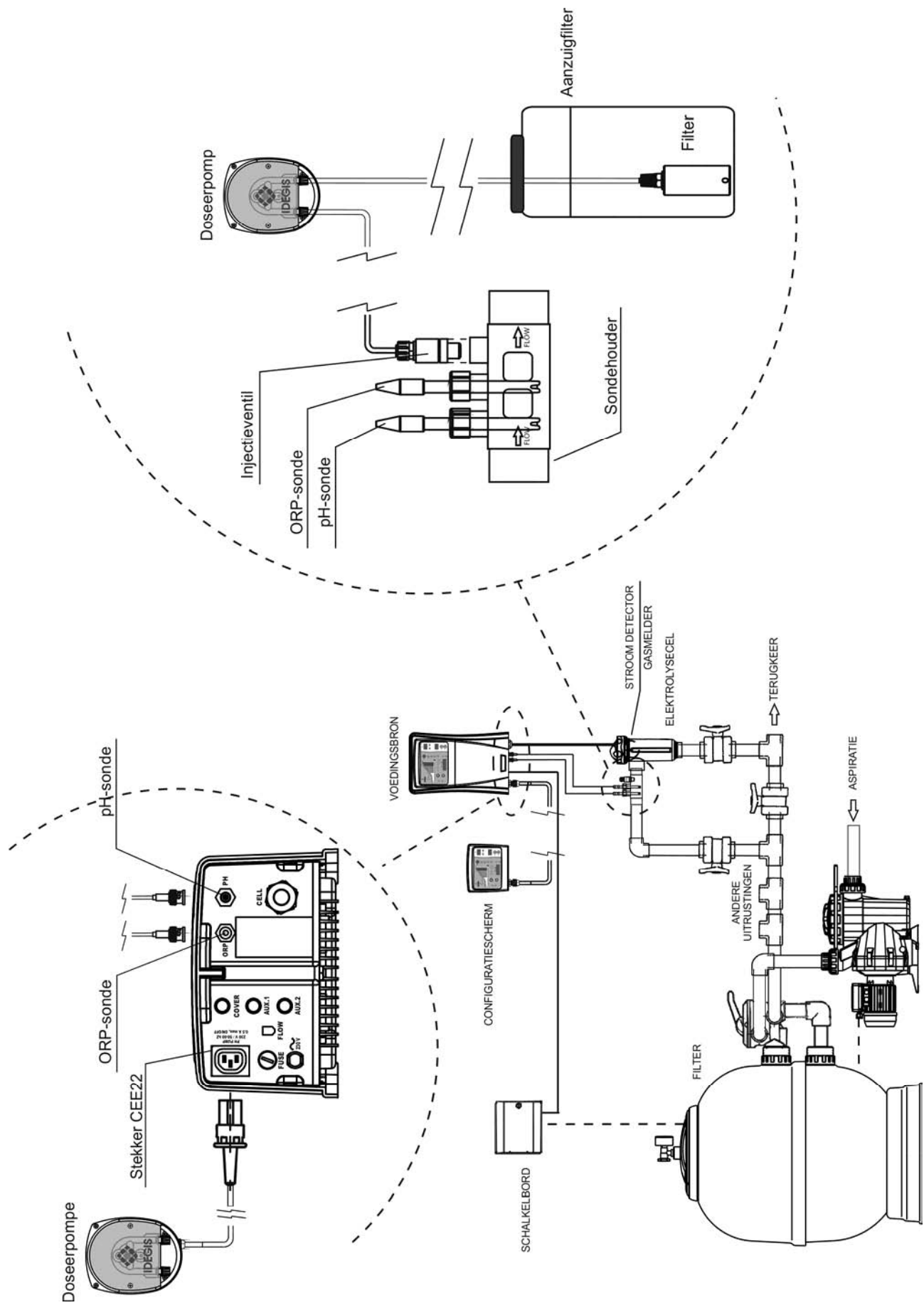


Fig.2 Diagram aanbevolen installatie (modellen DOMOTIC Series DOM-XX en DOM-XX PLUS).

4. INSTALLATIE:

4.1. Installatie van de voeding

Installeer de VOEDING van het DOMOTIC Series-systeem altijd VERTICAAL en tegen een massief oppervlak (muur), zoals afgebeeld in het diagram van de aanbevolen installatie (Fig. 1 en 2). Om de goede staat van het apparaat te waarborgen, dient men, indien mogelijk, het in een droge en goed geventileerde ruimte te installeren. Vanwege de lage IP-graad van de VOEDING mag het DOMOTIC Series-systeem niet buiten worden geïnstalleerd. De VOEDING dient bij voorkeur op voldoende afstand van de elektrolysecel te worden geïnstalleerd, zodat er niet per ongeluk water op kan spatten.

In het bijzonder dient men te voorkomen dat er een corrosieve omgeving ontstaat ten gevolge van pH-verlagende oplossingen (vooral die op basis van zoutzuur "HCl"). Installeer het DOMOTIC Series-systeem niet in de nabijheid van opslagruimtes voor deze producten. Wij raden u met klem aan producten te gebruiken die als hoofdbestanddeel natriumbisulfaat of verdund zwavelzuur hebben. De voeding dient te worden aangesloten op het schakelbord van de waterzuiveringsinstallatie, zodat de pomp en het DOMOTIC Series-systeem tegelijkertijd worden in- en uitgeschakeld.

4.2. Installatie van de elektrolysecel

De elektrolysecel bestaat uit een doorzichtig polymeer waarin zich de elektroden bevinden. De elektrolysecel dient te worden geïnstalleerd op een plek die beveiligd is tegen weersomstandigheden en **altijd achter het filtersysteem** en enig ander apparaat dat deel uitmaakt van de installatie, zoals warmtepompen, regelsystemen, enz.

De installatie dient zo geplaatst te zijn dat de gebruiker de geïnstalleerde elektroden gemakkelijk kan bereiken. De elektrolysecel dient bij voorkeur **VERTICAAL** geïnstalleerd te worden in een gedeelte van het buizenstelsel dat afgesloten kan worden van de rest van de installatie met behulp van twee kleppen, zodat men onderhoudswerkzaamheden kan verrichten aan de cel zonder het zwembad volledig of gedeeltelijk te hoeven laten leeglopen.

Indien de cel als by-pass wordt geïnstalleerd (aanbevolen methode), dient men een klep te plaatsen waarmee het debiet dat door de cel loopt kan worden geregeld. Alvorens over te gaan tot de definitieve installatie van het systeem, dient men de volgende opmerkingen ter harte te nemen:

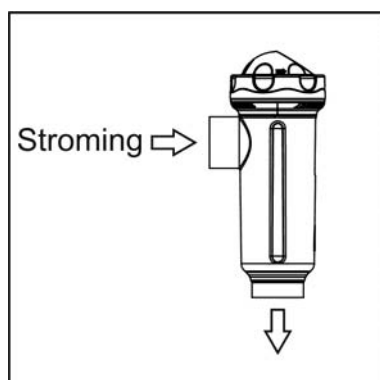


Fig. 3

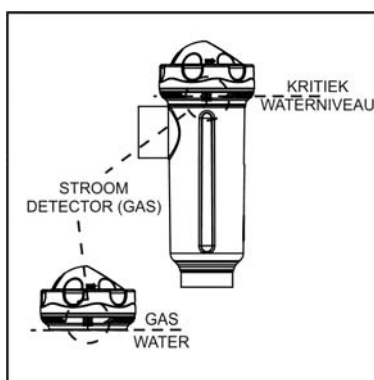


Fig. 4

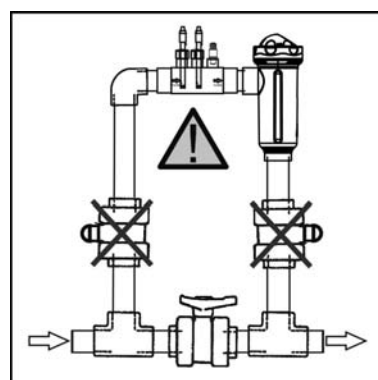


Fig. 5

1. De stroomrichting die op de cel is aangegeven dient in acht te worden genomen. Het recirculatiesysteem dient het minimaal vereiste debiet te waarborgen dat vermeld staat in de tabel met technische eigenschappen (zie paragraaf 9).

2. Het stromingsdetectorsysteem (gas-detector) wordt geactiveerd indien er geen recirculatie (stroming) van water door de cel plaatsvindt of indien deze zeer gering is. Wanneer het elektrolysegas niet wordt afgevoerd, ontstaat er een luchtbel die de hulpelektrode elektrisch afzondert (elektrische detectie). Daarom dient de gasdetector (hulpelektrode), bij het inbrengen van de elektroden in de cel, in het bovenste gedeelte ervan te worden geplaatst. De veiligste opstelling is afgebeeld op het diagram van de aanbevolen installatie.

3. **WAARSCHUWING:** Indien de in- en uitlaatkleppen van de elektrolysecel tegelijkertijd sluiten, zal de stromings-detector (gasdetector) niet naar behoren werken, waardoor het risico op celbreuk ontstaat. Hoewel deze situatie maar zelden voorkomt, **kan deze worden voorkomen door, zodra het apparaat eenmaal geïnstalleerd is, de terugstroomklep naar het zwembad te blokkeren**, zodat deze niet per ongeluk gehanteerd kan worden.

Overige opstellingen zouden uitsluitend aanvaardbaar zijn indien deze eveneens de mogelijkheid zouden bieden om gasbellen te detecteren die het gevolg zijn van een te laag waterdebiet door de cel.

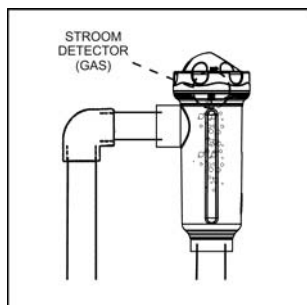


Fig. 6

Aanbevolen installatie

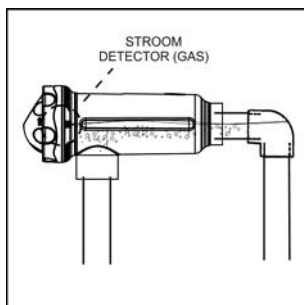


Fig. 7

Aanvaardbare installatie

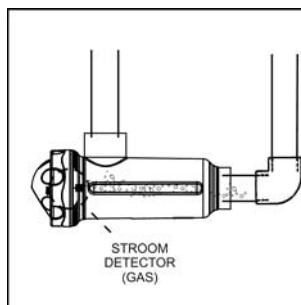


Fig. 8

Niet-aanvaardbare installaties

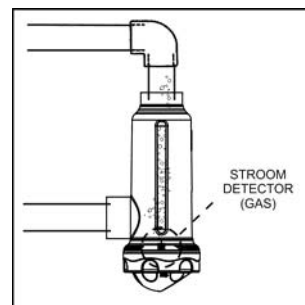


Fig. 9

De elektroden dienen in de elektrolysecel te worden geplaatst, waarbij de middelste elektrode kan worden ingebracht via de rails die zich aan de boven- en onderkant van de cel bevinden.

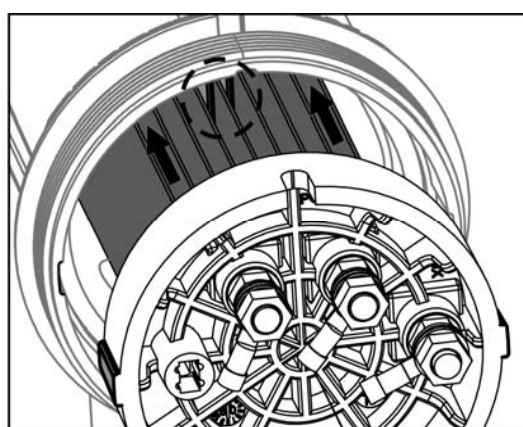
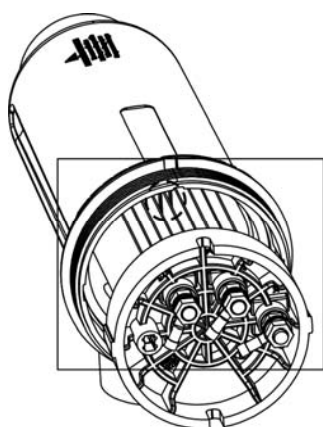


Fig. 10

4.3. Elektrische aansluitingen van de elektrolysecel

Maak een koppeling tussen de elektrolysecel en de voeding zoals afgebeeld op het onderstaande schema. Vanwege de relatief hoge stroomsterkte die door de kabels van de elektrolysecel loopt, mag u in geen geval de lengte of de dikte van de kabels wijzigen zonder voorafgaande raadpleging van uw erkende IDEGIS-dealer. De kabel die de cel met de voeding verbindt mag nooit langer zijn dan de in deze handleiding aanbevolen maximumlengte: DOM-12 (6 A), 7,5 m.; DOM-24 (12 A), 4,0 m.; DOM-32 (16 A), 3,0 m; DOM-42 (7 A), 16,0 m.

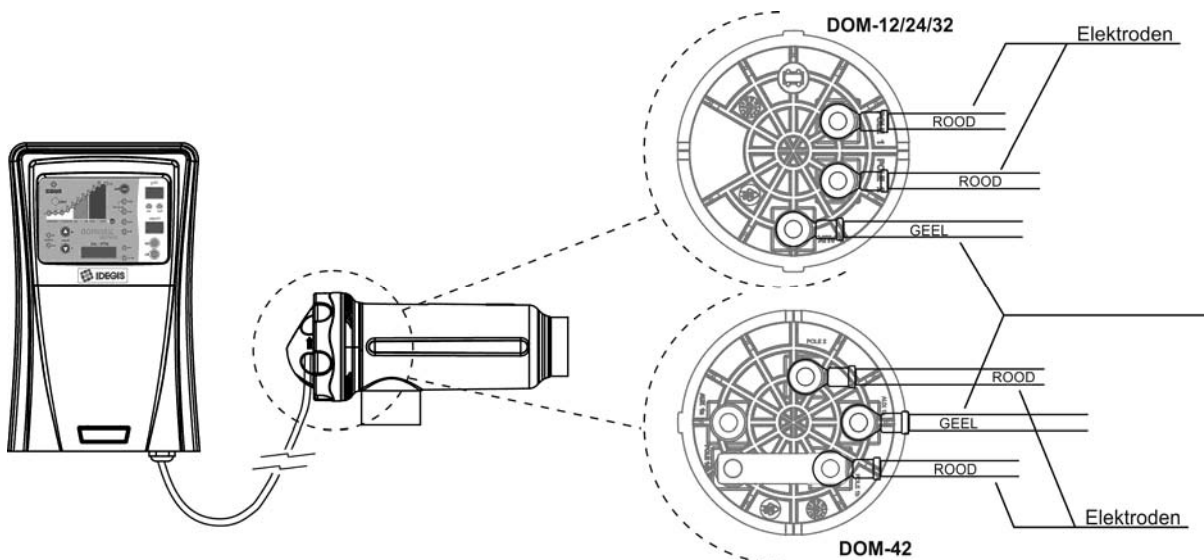


Fig.11

4.4. Installatie van de pH-/ORP-sondes (uitsluitend in de modellen DOM-XX PH y DOM-XX PLUS)

1. Plaats de bij het apparaat geleverde pH-/ORP-sondes in de bijbehorende openingen in de sondehouders. (Fig. 12)
2. Draai daartoe de wartelmoer los en steek de sensor erin.
3. De sonde dient zo in de houder te worden geplaatst dat de sensor die zich aan het uiteinde ervan bevindt altijd ondergedompeld blijft in het water dat door de buis circuleert.
4. Installeer de pH-/ORP-sondes bij voorkeur in een verticale positie of met een maximale hellingshoek van 40° (Fig. 13).

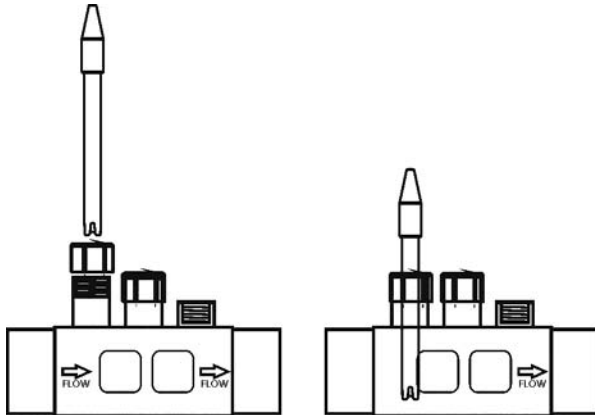


Fig. 12

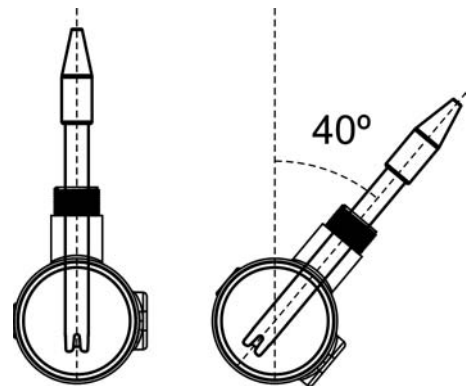


Fig. 13

4.5. Installatie van de optionele externe stromingsdetector (niet bij het apparaat geleverd)

1. Plaats het aanboorzadel op het gedeelte van de buis dat zich bij de ingang van de elektrolysecel bevindt. Het aanboorzadel dient altijd in een horizontale positie ten opzichte van de vloer te worden geïnstalleerd (zie Fig. 14-1).
2. Installeer de stromingsdetector (stromingsschakelaar) altijd verticaal op het aanboorzadel (Fig. 14-1).
3. Aan het uiteinde van de stromingsdetector is een pijl afgebeeld. Controleer of deze pijl parallel loopt aan de as van de buisleiding en die in de richting wijst waarin het water stroomt (Fig. 14-2).
4. Installeer de stromingsdetector niet in de nabijheid van magnetische objecten. Deze objecten kunnen de werking beïnvloeden van het magnetische mechanisme dat zich aan de binnenkant bevindt, waardoor de betrouwbaarheid ervan zou afnemen.



Fig. 14-1

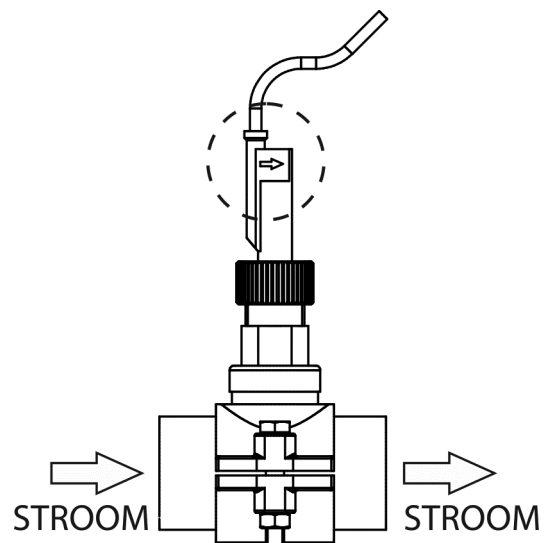


Fig. 14-2

4.6. Installatie van de verwijderbare bedieningsterminal

De apparaten van DOMOTIC Series bieden de mogelijkheid tot het instellen van een afstandsbediening van het elektrolysesysteem dat zich in de zuiveringsinstallatie van het zwembad bevindt door de installatie van een wandbedieningsterminal. De koppeling tussen de voeding en de bedieningsterminal kan tot stand worden gebracht door een signaalkabel met 6 aders aan te sluiten op de desbetreffende connectoren van de vermogenskaart en de grafische kaart. De lengte van deze kabel wordt bepaald door de behoeften van de gebruiker, maar mag in geen geval langer zijn dan 40 meter. De terminal wordt automatisch gevoed met 10,5 Vac door de ingebouwde communicatiebus, waardoor er geen aanvullende voeding nodig is.

De terminal vereist geen speciale onderhoudsprocedure, afgezien van de onderstaande algemene gebruiksvoorschriften:

- Gebruik voor het reinigen een doek die licht bevochtigd is met water.
- Gebruik geen agressieve reinigingsmiddelen (bleekwater, spuitbussen, oplosmiddelen, alcohol, enz.)

De bedieningsterminal is ontworpen voor bevestiging tegen een massieve wand. Dankzij de beschermingsgraad IP-65 kan de terminal ook buiten worden geïnstalleerd. Het is echter raadzaam de terminal niet rechtstreeks bloot te stellen aan zonlicht. Installeer de terminal op de volgende wijze:

1. Verwijder de kap van de voeding door de bevestigingsschroef los te draaien (Fig. 11-1) en de kap naar boven en naar buiten te schuiven (Fig. 11-2). Open vervolgens de kap naar links (Fig. 11-3) en koppel de communicatiekabel (A) los van de vermogenskaart en de grafische kaart (Fig. 11-4).
2. Schroef de vier bevestigingsschroeven los (Fig. 11-5).
3. Bevestig de bedieningsterminal (Fig. 11-6).

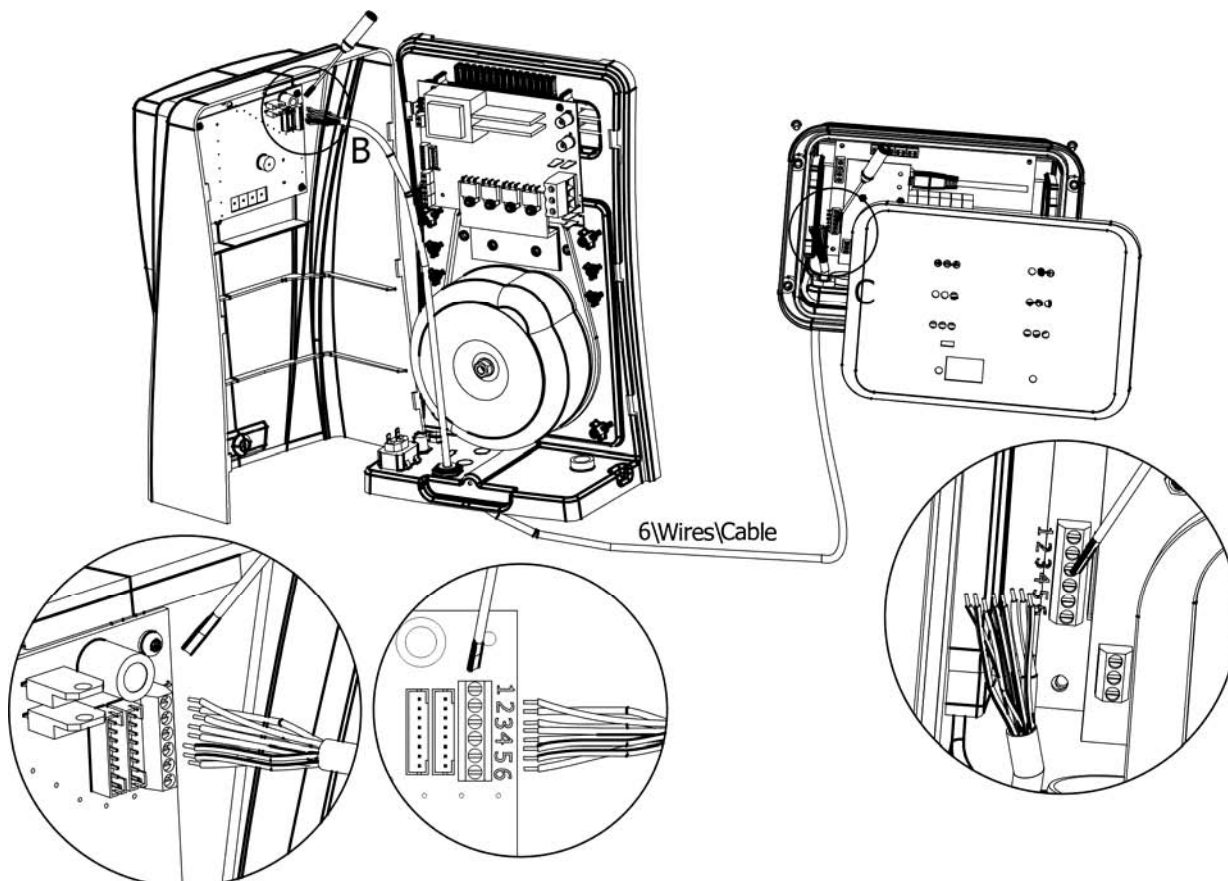
OPTIE A: installatie met behulp van de oorspronkelijke IDEGIS-kabel met ref. DOM-020-XX (waarbij XX de kabellengte in meters aangeeft).

OPTIE B: installatie met behulp van de standaard signaalkabel met 6 aders met elk een minimumdoorsnede van 0,22 mm².

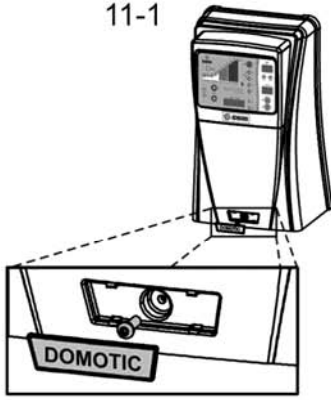
In beide gevallen is de maximaal toegestane lengte 40 meter. Indien echter gebruik wordt gemaakt van een UTC-kabel (categorie 5e, niet-afgeschermd), is het toegestaan een koppeling met een lengte tot 60 meter te gebruiken.

4. Haal daartoe de nieuwe communicatiekabel (A) door de kabelwartel die zich aan de voet van de terminal bevindt, en sluit hem aan op een van de twee connectoren van de grafische kaart (CN1A, CN2A) [**OPTIE A**] of op de connector CN-5 [**OPTIE B**]. Verbind het displayvoet met behulp van de terminalvoet met behulp van de vier bijgeleverde schroeven.
5. Haal het vrije uiteinde van de communicatiekabel door de opening AUX 2 in het voetstuk van de voeding (Fig. 11-7 en 11-8) en sluit deze aan op de connector CN10A/CN11A [**OPTIE A**] of op de connector CN-20 [**OPTIE B**] van de vermogenskaart (Fig. 11-9). Plaats de kap terug op de voeding (Fig. 11-7).
6. Plaats de wandbevestiging (zie paragraaf 8) op het gekozen installatiepunt en hang de terminal eraan op.

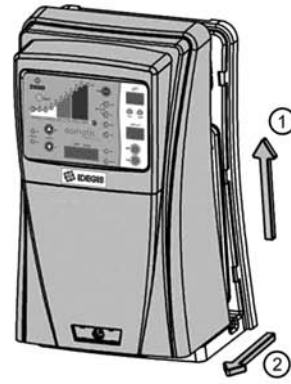
4.7. Aansluiting PoolStation



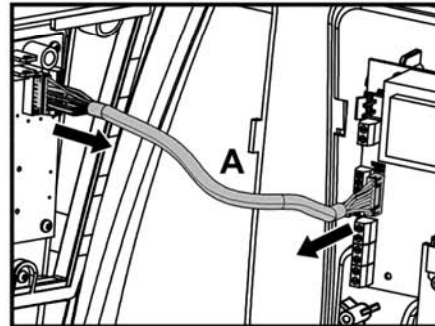
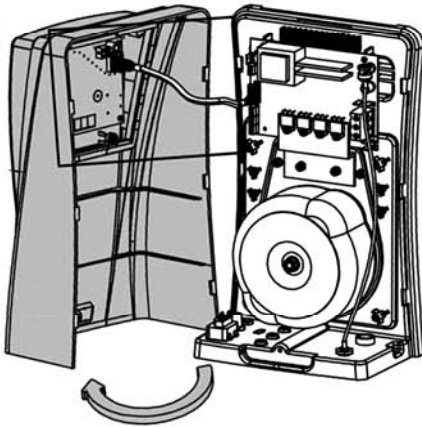
11-1



11-2

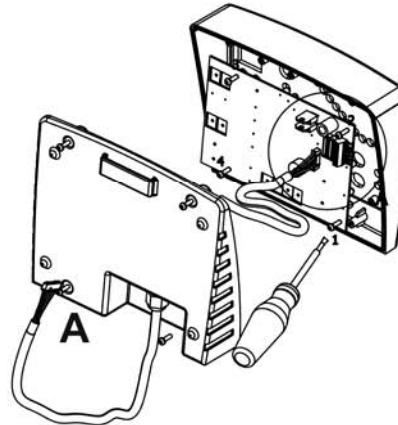
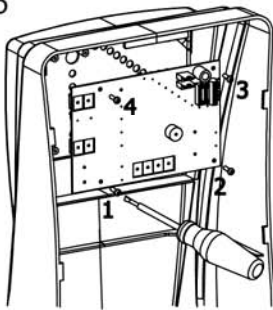


11-3

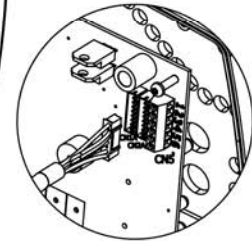


11-4

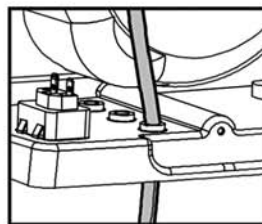
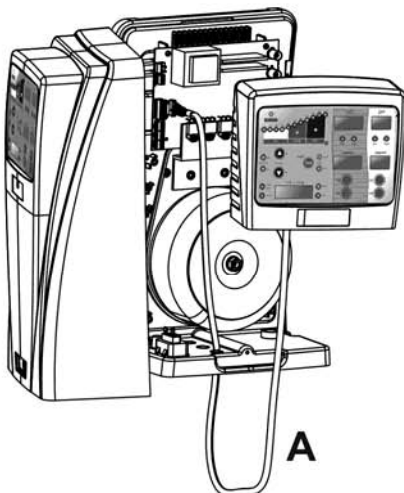
11-5



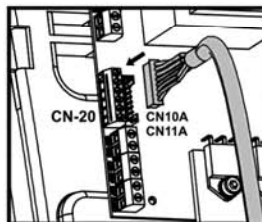
11-6



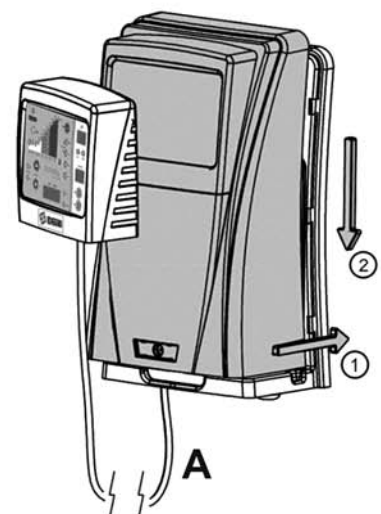
11-7



11-8



11-9



4.8. Regelaars en indicatoren

De DOMOTIC Series-zoutelektrolysesystemen zijn aan de voorzijde uitgerust met een bedieningspaneel (Fig. 15,16 en16b).

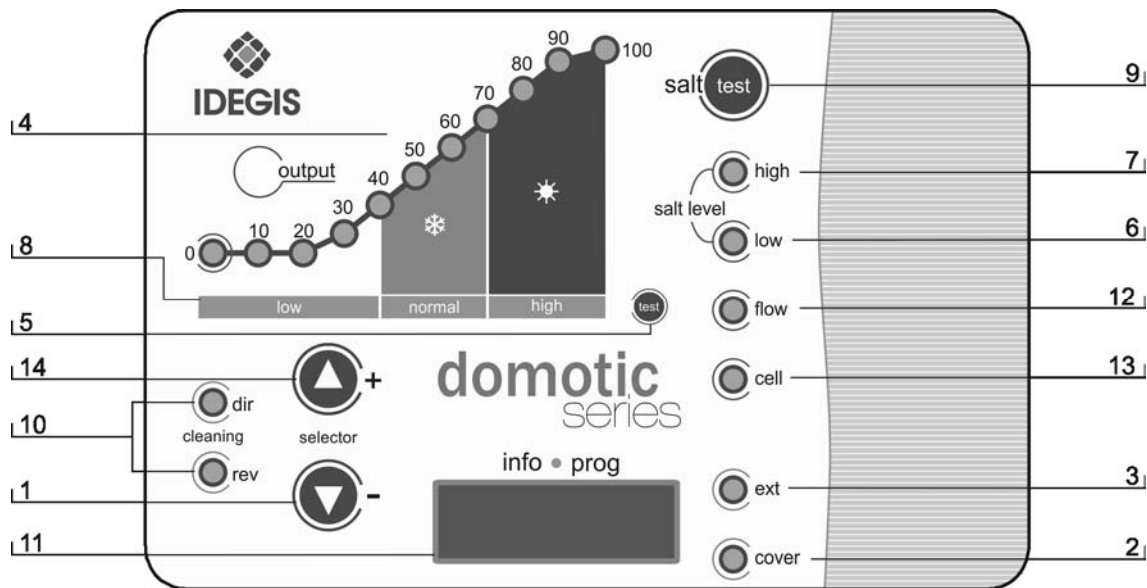


Fig. 15. Bedieningspaneel DOM-XX-systemen

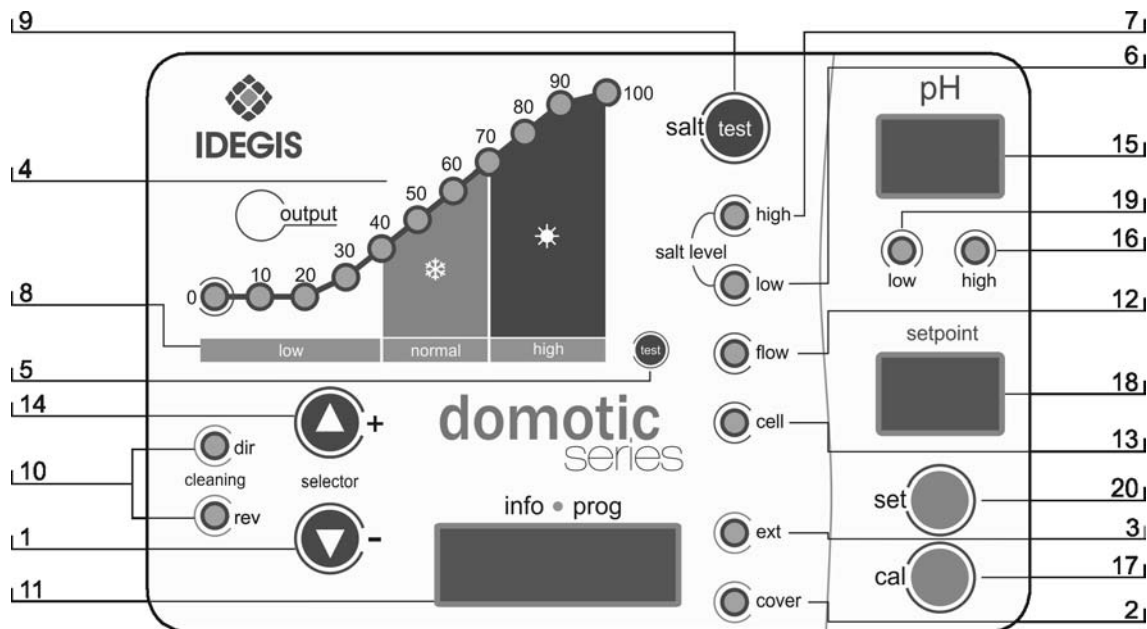


Fig. 16. Bedieningspaneel DOM-XX PH-systemen

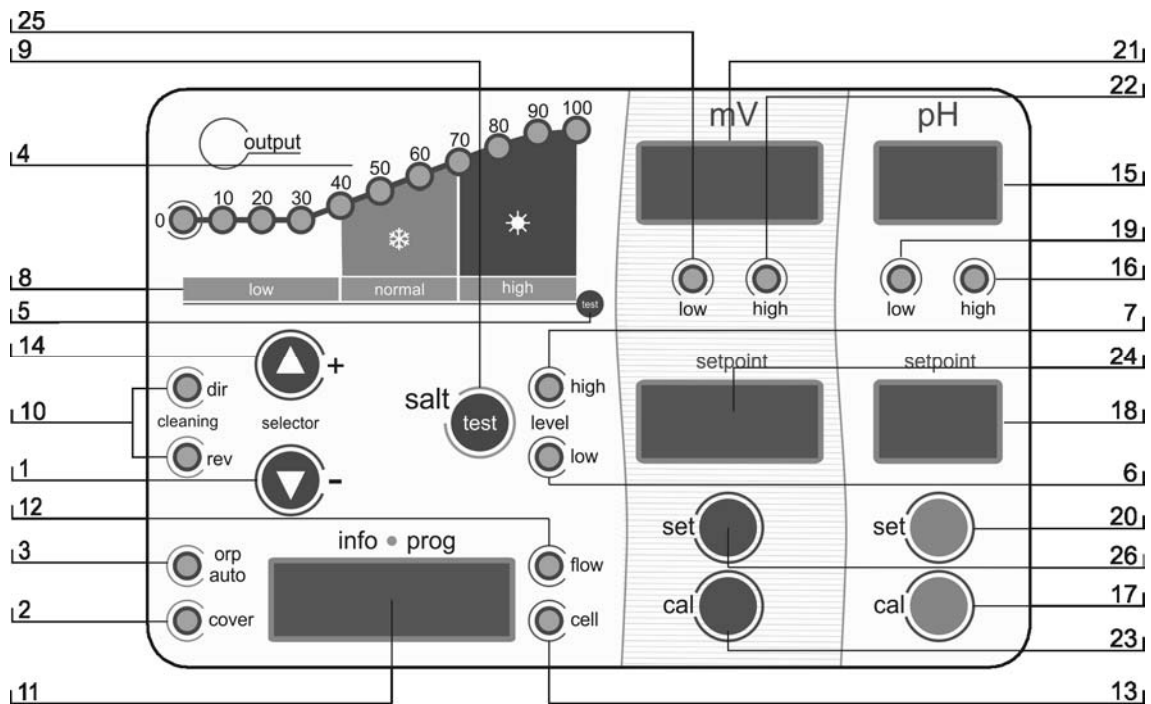


Fig. 16b. Bedieningspaneel DOM-XX PLUS-systemen

- | | |
|--|---|
| <ol style="list-style-type: none"> 1. "▼"-knop (productie verlagen / navigatie door programmeermenu's van het systeem) 2. Indicator AUTOMATISCHE AFDEKKING-regeling geactiveerd 3. Indicator ORP-regeling geactiveerd (AUTO-modus) 4. Productieschaal (%) 5. Schaal SALINITEITSTEST 6. Indicator LAGE SALINITEIT 7. Indicator HOGE SALINITEIT 8. SALINITEIT-schaal (kwalitatief) 9. Knop voor "SALINITEITSTEST" 10. ZELFREINIGING-indicatoren (POSITIEVE / NEGATIEVE polariteit) 11. Systeeminformatie-display 12. Indicator STROMINGSALARMS 13. Indicator gepassiveerde-CEL-ALARMS | <ol style="list-style-type: none"> 14. "▲"-knop (productie verhogen / navigatie door de programmeermenu's van het systeem) 15. Display voor pH-waarde van het water. 16. Indicator HOGE-pH-ALARMS (> 8.5) 17. Knop voor pH-IJKMODUS 18. Indicator voor geprogrammeerde pH-waarde 19. Indicator voor LAGE-pH-ALARMS (> 6.5) 20. Knop voor het programmeren van de gewenste pH-waarde. 21. Display voor ORP-waarde van het water 22. Indicator voor HOGE-ORP-ALARMS (> 850 mV) 23. Knop voor ORP-IJKMODUS 24. Indicator voor de ingestelde ORP-waarde 25. Indicator voor LAGE-ORP-ALARMS (< 650 mV) 26. Knop voor het instellen van de gewenste ORP-waarde |
|--|---|

Naast de basisfunctionaliteiten beschikt het zoutelektrolysesysteem van DOMOTIC Series over drie ingangen voor potentiaalvrije contacten, waardoor er aanvullende externe regeleenheden op kunnen worden aangesloten. Deze ingangen bevinden zich in de connector **[CN7]** van de vermogenskaart (Fig. 17).

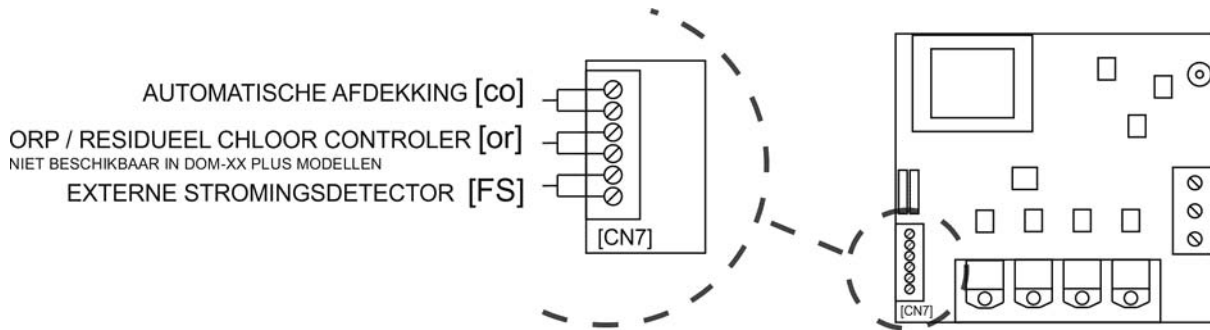


Fig. 17

De logica die aan deze drie ingangen verbonden is, evenals de activering/desactivering daarvan, kan worden geprogrammeerd tijdens het configuratieproces van het systeem (zie paragraaf 5.2)

- **[FS] Regeling OPTIONELE EXTERNE STROMINGSDETECTOR (niet bij het apparaat geleverd):** ingang voor potentiaalvrij contact. Wanneer het contact dat op deze ingang is aangesloten geopend wordt (externe stromingsdetector in rust) en de ingang [FS] bij de configuratie van het systeem is geconfigureerd als **[FS1c]**, wordt het elektrolysesysteem uitgeschakeld (stromingsalarm). Sluit de kabels van de externe stromingsdetector aan op de overeenkomstige ingang **[FS]**, die zich op de connector **[CN7]** van de vermogenskaart van de eenheid bevindt.

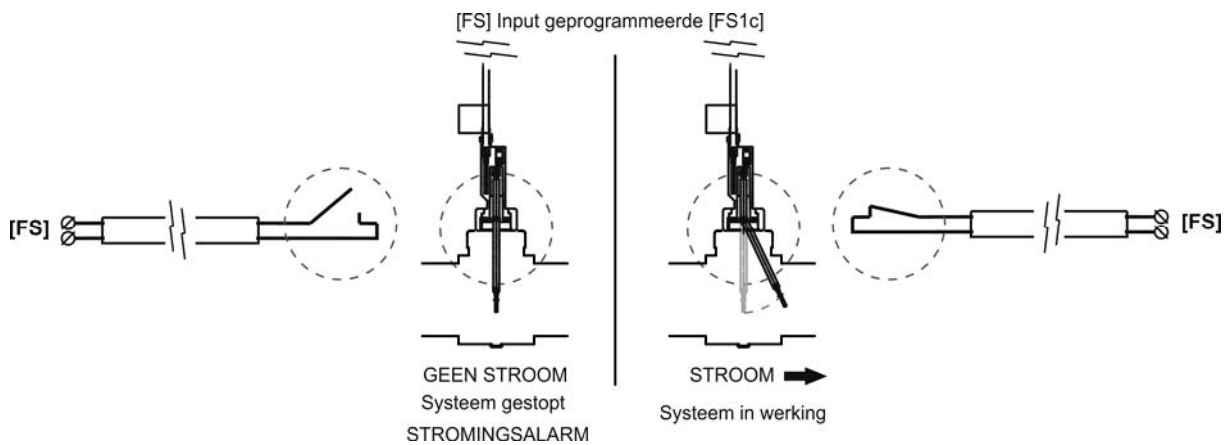


Fig. 18

- **[CO] Regeling AUTOMATISCHE AFDEKKING:** een potentiaalvrij contact. Deze ingang biedt de mogelijkheid om, al naargelang de staat van het daarop aangesloten contact dat zich op het schakelbord van de automatische afdekking bevindt, een reductie van de uitgangsstroom van het apparaat te programmeren als percentage van zijn nominale waarde.

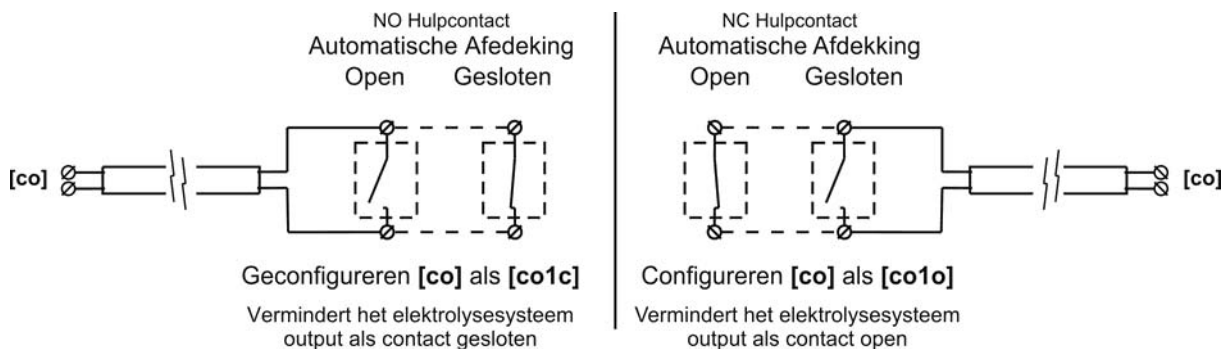


Fig. 19

- **[Or]** Regeling ORP / AFVALCHLOOR (niet verkrijgbaar bij de modellen DOMOTIC-XX PLUS): ingang voor een potentiaalvrij contact. Deze ingang kan worden gebruikt om een externe besturingseenheid op het elektrolysesysteem aan te sluiten (ORP, AFVALCHLOOR, FOTOMETER, enz.). Daarvoor moeten twee draden vanaf het potentiaalvrije contact, dat zich op de externe besturingseenheid bevindt, aangesloten worden op de overeenkomstige ingang [or] die zich in de vermogenskaart van de eenheid bevindt.

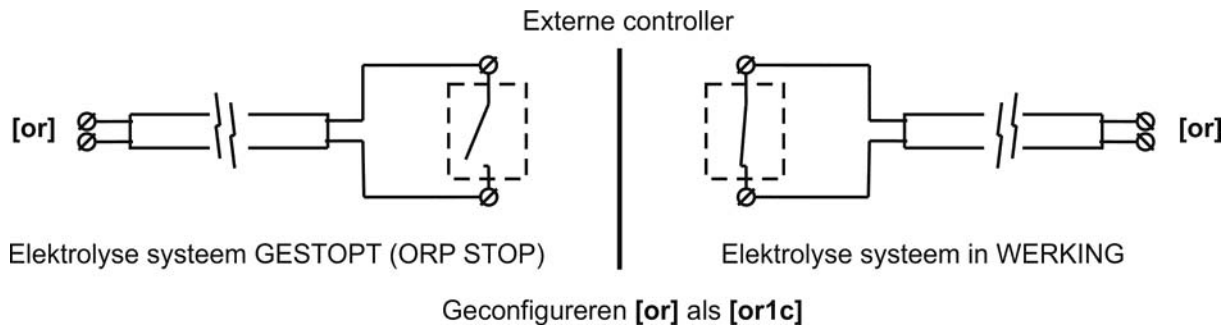


Fig. 20

4.9. Inbedrijfstelling

1. Controleer of de filter 100% schoon is en of het zwembad en de installatie geen koper, ijzer of algen bevatten. Ga na of de geïnstalleerde verwarmingsinstallatie compatibel is met zout water.

2. IJk het zwembadwater, om een efficiëntere behandeling en een lagere concentratie vrij chloor in het badwater mogelijk te maken, evenals een langer durende werking van de elektroden doordat er minder kalkaanslag in het zwembad ontstaat.

- a) De pH-waarde moet binnen een bereik van 7.2-7.6 liggen
- a) De totale saliniteit moet binnen een bereik van 60-120 ppm liggen

3. Hoewel het DOMOTIC Series-systeem werkt bij een saliniteitsbereik van 4-6 g/l, dient het zoutgehalte minimaal op 5 g/l gehouden te worden door 5 kg zout per m³ water toe te voegen indien het water daarvoor geen zout bevatte. Gebruik altijd gewoon zout (natriumchloride) dat geen toevoegingen als jodide of antiklontermiddel bevat en geschikt is voor menselijke consumptie. Voeg het zout nooit toe via de elektrolysecel. Voeg het rechtstreeks aan het zwembadwater of aan de buffertank toe (ver verwijderd van de afvoer van het zwembad).

4. Wanneer het zout wordt toegevoegd, en indien het zwembad onmiddellijk gebruikt gaat worden, dient er een chloorbehandeling te worden uitgevoerd. Voeg als begin dosering van 2 g/m³ trichloorisocyanuurzuur toe.

5. Alvorens het zoutelektrolyseapparaat in bedrijf te stellen, dient men de voeding uit te schakelen en de zuiveringspomp gedurende 24 uur te laten draaien om te kunnen garanderen dat het zout volledig is opgelost.

6. Schakel vervolgens het zoutelektrolysesysteem in, en stel het in op een productieniveau waarbij de concentratie vrij chloor binnen het aanbevolen bereik blijft (0.5 - 1.5 ppm).

NOOT: Om de concentratie vrij chloor te kunnen bepalen, dient u een analyseset te gebruiken.

7. Bij zwembaden waar veel zonlicht op valt of die intensief worden gebruikt, wordt aangeraden een concentratie stabilisatiemiddel (cyanuurzuur) van 25-30 g/m³ aan te houden. De concentratie van 75 g/m³ mag in geen geval worden overschreden. Zo kan grotendeels voorkomen worden dat het in het water aanwezige vrije chloor vernietigd wordt door het zonlicht.

5. WERKING:



5.1. Stelsysteem op stand-by

Het systeem schakelt over op de "STAND-BY"-modus wanneer de "▼"-knop [1] herhaaldelijk wordt ingedrukt totdat de "0 %"-led gaat knipperen. In deze toestand vindt er geen productie plaats in de elektrolysecel.

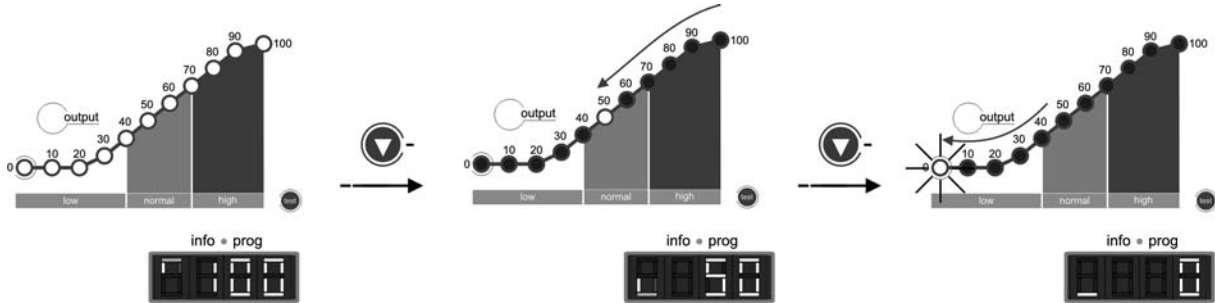


Fig. 21

5.2. Configuratie van het systeem.

Het DOMOTIC Series-systeem kan opnieuw geconfigureerd worden via een menu dat toegankelijk is vanaf het bedieningspaneel. Om toegang te krijgen tot het menu moet het systeem eerst op stand-by worden gezet, op de wijze die beschreven is in paragraaf 5.1. Zodra het systeem op stand-by staat, houdt u de "▼"-knop [1] enkele seconden ingedrukt totdat het systeem-informatie-display [11] de melding "CONF" weergeeft. Om de selectie van alle opties in elk menu mogelijk te maken, houdt u de "SALT TEST"-knop [9] gedurende ongeveer 1 seconde ingedrukt. Nadat de gewenste parameter eenmaal geselecteerd is met behulp van de "▼"- [1] / "▲"-knop [14], dient de selectie bevestigd te worden door de "SALT TEST"-knop [9] opnieuw gedurende 1 seconde ingedrukt te houden (zie Fig. 23). Bij het configuratieproces kunnen de volgende operationele systeemparameters worden ingesteld:

MODEL	domotic 12 domotic 24 domotic 32 domotic 42
SOFTWAREVERSIE	<p style="text-align: center;">Geeft de softwareversie weer met twee cijfers</p>
POLARITEITSOMKERING	Omkering elke 2 uur ⁽²⁾ Omkering elke 3 uur Omkering elke 2 minuten ⁽¹⁾
AANPASSING UITGANGSNIVEAU MET AFDEKKING GESLOTEN	<p style="text-align: center;">⁽²⁾</p> <p>Het systeem kan zo geconfigureerd worden dat het een output aan de cel levert van 10... 90% van zijn nominale vermogen wanneer de afdekking van het zwembad gesloten is.</p>
ACTIVERING VAN DE AFDEKKINGSREGELING-INGANG	Niet geactiveerd Ingang geactiveerd bij een gesloten contact ⁽²⁾ Ingang geactiveerd bij een open contact
ACTIVERING VAN DE ORP-/AFVALCHLOORREGELING-INGANG	Niet geactiveerd (HANDMATIG) ⁽²⁾ Systeem geactiveerd bij een gesloten contact (AUTO) ⁽³⁾
ACTIVERING GASDETECTOR	Niet geactiveerd Systeem geactiveerd bij een ondergedompelde detector ⁽²⁾
ACTIVERING EXTERNE STROMINGDETECTOR (STROMINGSDETECTOR)	Uitgeschakeld ⁽²⁾ Systeem geactiveerd bij een gesloten contact

⁽¹⁾ **LET OP:** pas deze handelswijze uitsluitend toe bij controletaken en gedurende korte perioden, aangezien de elektroden beschadigd zouden kunnen raken.

Het systeem verlaat deze modus automatisch na uitschakeling.

⁽²⁾ Door de fabriek ingestelde standaardwaarden.

⁽³⁾ Door de fabriek ingestelde standaardwaarde bij de DOM-XX PLUS-modellen.

Fig. 22

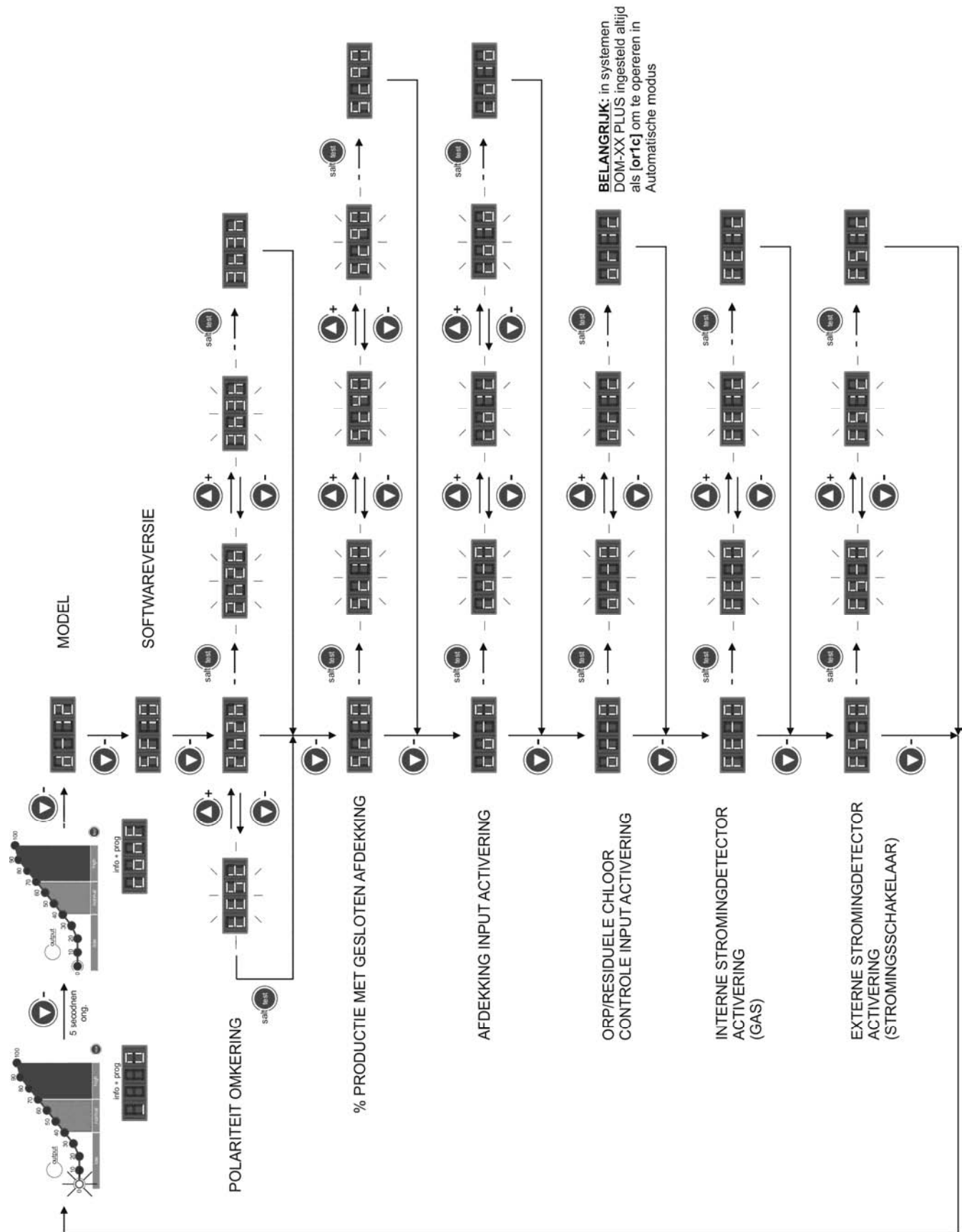


Fig. 23 Stroomdiagram van de systeemprogrammering

5.3. Selectie van het productieniveau

Om het gewenste productieniveau te selecteren, drukt u herhaaldelijk op de “▼” - [1] / “▲”-knop [14] totdat de led die bij het gewenste productieniveau hoort, gaat knipperen. Het systeem-informatie-display [11] geeft de waarde weer die bij de productieschaal-led hoort [4]. Na enkele seconden schakelt het systeem over naar het geselecteerde veiligheidsniveau.

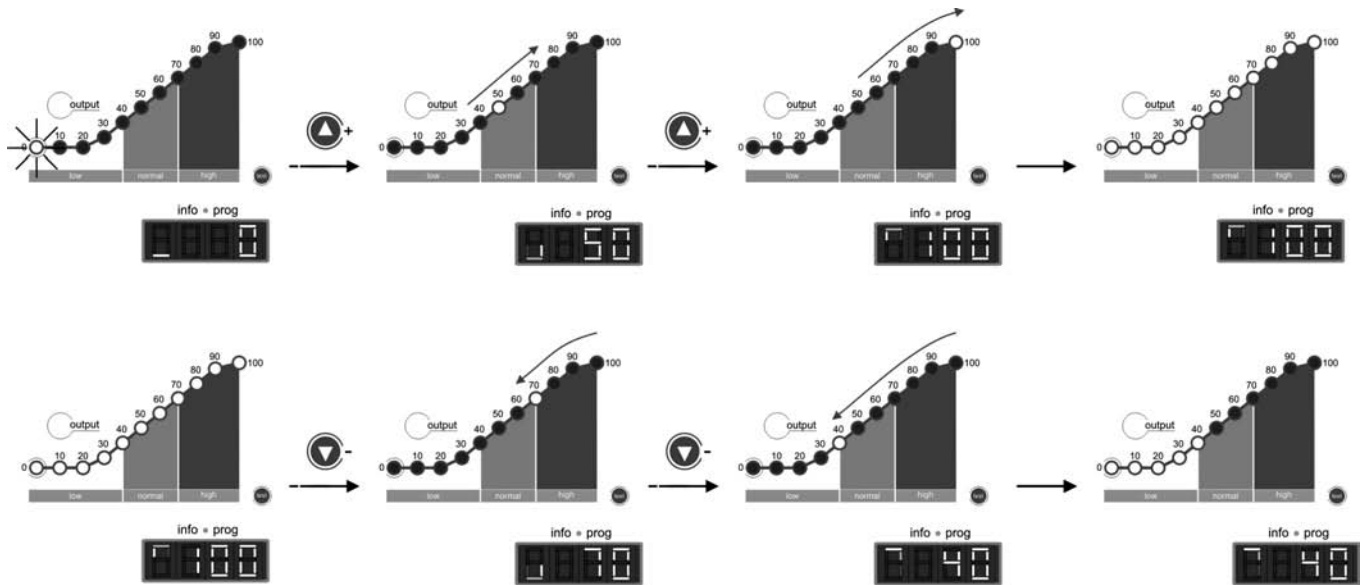


Fig. 24

Onder normale omstandigheden komt de productiewaarde [4] overeen met de geprogrammeerde waarde. Indien het zoutgehalte echter buiten het bereik valt (“HIGH SALT”-alarm [7] of “LOW SALT”-alarm [6] geactiveerd), of er problemen zijn met de elektrolysecel (“CELL”-alarm [13] geactiveerd), zou de bereikte productiewaarde [4] lager kunnen zijn dan de geprogrammeerde en in het display weergegeven waarde [11].



WINTER-modus: gedurende perioden met lage watertemperaturen wordt aangeraden een productieniveau [1] te selecteren van tussen de 50-60%.

5.4. "Saliniteitstest"

De DOMOTIC Series-systemen beschikken over een ingebouwd systeem waarmee de saliniteit van het badwater gedetecteerd kan worden. Start de test door op de “SALT TEST”-knop [9] te drukken. Tijdens de test zal de productieled verspringen tussen de 20%-80% van de saliniteitsschaal [5], waarbij beurtelings de teksten “SALT” en “TEST” in het systeem-informatie-display [11] zullen worden weergegeven. Zodra de test eenmaal is voltooid, zal de led enkele seconden op de schaal [5] blijven knipperen, op de gedetecteerde waarde (zie Fig. 25). Na enkele seconden keert het systeem terug naar de normale bedrijfsmodus.

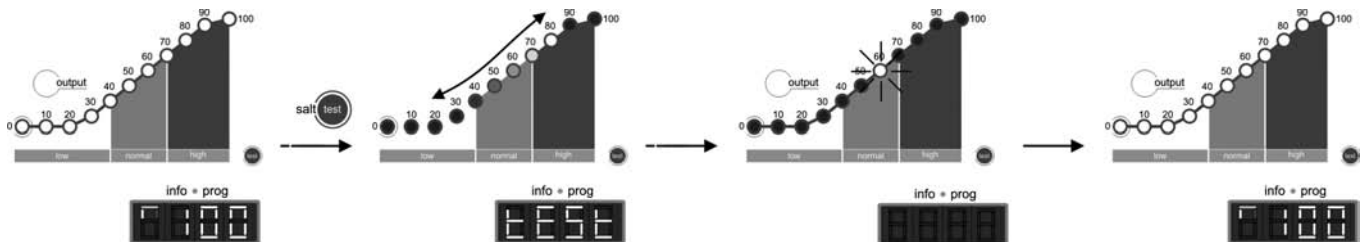


Fig. 25

Mogelijk geeft het systeem lagere zoutniveaus aan dan de daadwerkelijke indien de watertemperatuur lager dan 20°C is.

5.5. Ingebouwde pH-/ORP-regelaar (modellen DOM-XX PH en DOM-XX PLUS)

De ingebouwde pH-/ORP-regelaars worden geleverd met fabrieksijking en zijn geprogrammeerd met de volgende parameters:
 INSTELWAARDE pH="7.2" / ORP="700 mV"

BELANGRIJK: teneinde een correcte regeling van de pH te kunnen waarborgen, moet de alkaliteit van het water binnen het aanbevolen bereik van 60-120 ppm CaCO₃ worden gehouden. Gebruik een testset om het totale alkaliteitsniveau van het water te achterhalen en pas het handmatig aan indien nodig.

5.5.1. AANSLUITING VAN DE PH-/ORP-SONDES (modellen DOM-XX PH en DOM-XX PLUS)

Sluit de bij het apparaat geleverde pH-/ORP-sensoren aan op de overeenkomstige BNC-connectoren die zich aan de onderkant van het apparaat bevinden (Fig. 26).

5.5.2. AANSLUITING VAN DE DOSEERPOMP

De DOMOTIC Series-systemen (modellen DOM-XX PH en DOM-XX PLUS) hebben aan de onderkant een connector waarop een doseerpomp voor de regeling van de pH van het badwater kan worden aangesloten. De doseerpomp kan aangesloten worden met behulp van een CEE22-connector die daartoe bij het apparaat wordt geleverd (Fig. 26).

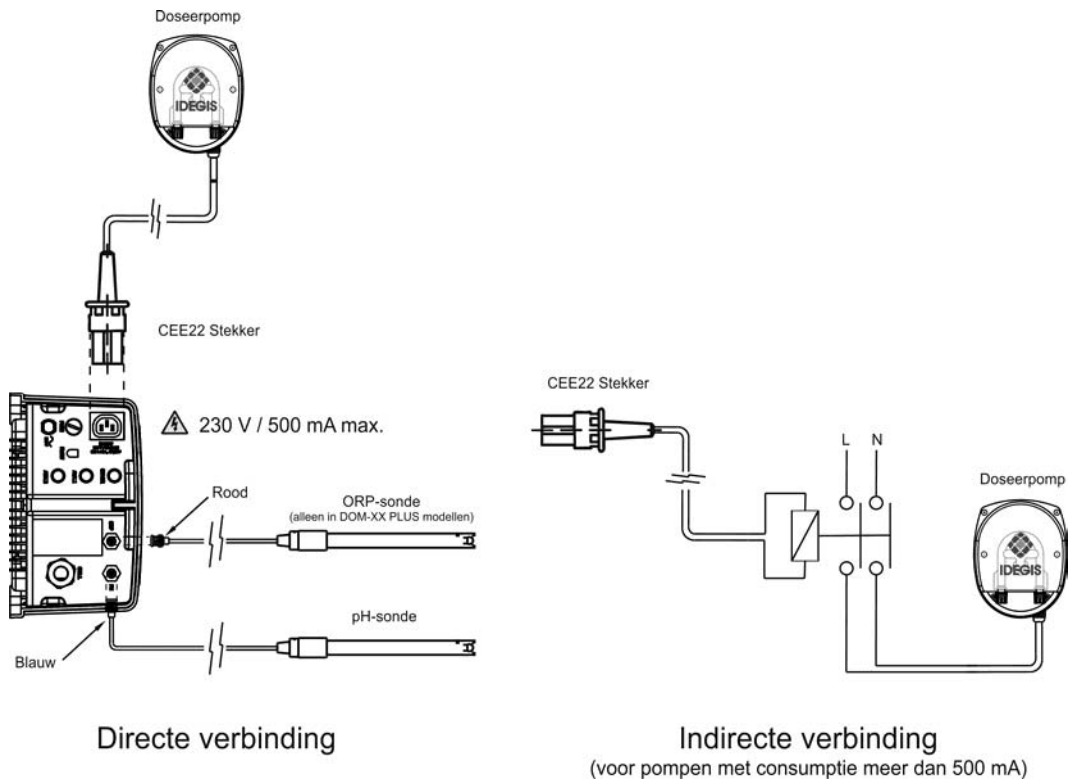


Fig. 26

5.5.3. PROGRAMMERING VAN DE GEWENSTE PH-WAARDE

Houd de "SET"-knop [20] ingedrukt totdat het display [18] de gewenste pH-waarde binnen het bereik van 7.0 - 7.8 weergeeft. Laat na de selectie de knop los.

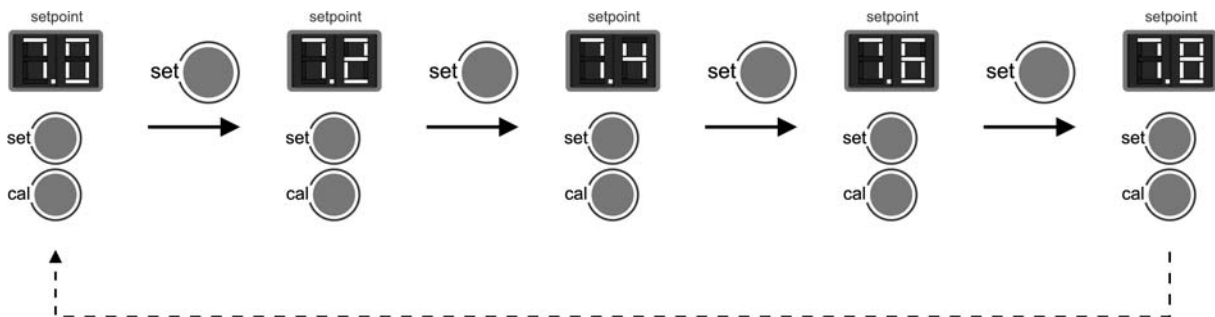


Fig. 27

5.5.4. PROGRAMMERING VAN DE GEWENSTE ORP-WAARDE (uitsluitend bij de modellen DOM-XX PLUS).

Houd de "SET"-knop [26] ingedrukt totdat het display [24] de gewenste ORP-waarde binnen het bereik van 600 - 850 mV weergeeft. Laat na de selectie de knop los.

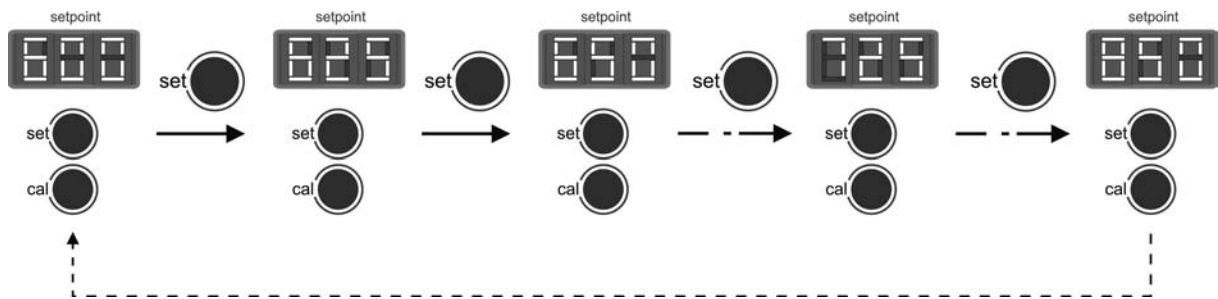


Fig. 27b

5.5.5. CONFIGURATIE VAN DE VEILIGHEIDSTOP VAN DE DOSEERPOMP (PUMP STOP-FUNCTIE)

De geïntegreerde pH-regeling beschikt over een veiligheidssysteem (PUMP STOP-FUNCTIE) dat inwerkt op de doseerpomp en waarmee de volgende situaties voorkomen kunnen worden:

- Schade aan de pomp bij droogloop (pH-verlagend product opgebruikt).
- Overdosering van pH-verlagend product (beschadigde of verouderde sensor).
- Problemen met de pH-regeling ten gevolge van een hoge alkaliteit in het water (zwembad net gevuld, hoog carbonaatgehalte).

Wanneer de PUMP STOP-FUNCTIE geactiveerd is (fabrieksinstelling), zal het systeem de doseerpomp stopzetten zodra de geprogrammeerde tijd verstreken is, zonder dat de ingestelde pH-waarde bereikt is.

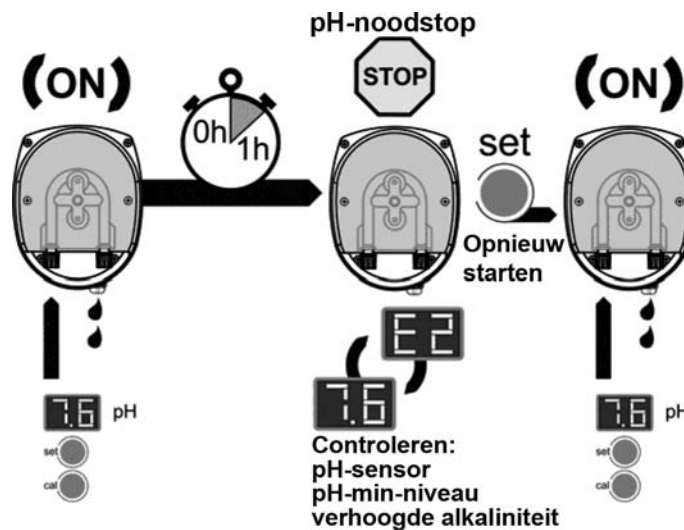


Fig. 27c.

De PUMP-STOP-FUNCTIE is fabrieksmatig ingesteld op 60 MINUTEN. Om deze waarde aan te passen, volgt u de volgende procedure:

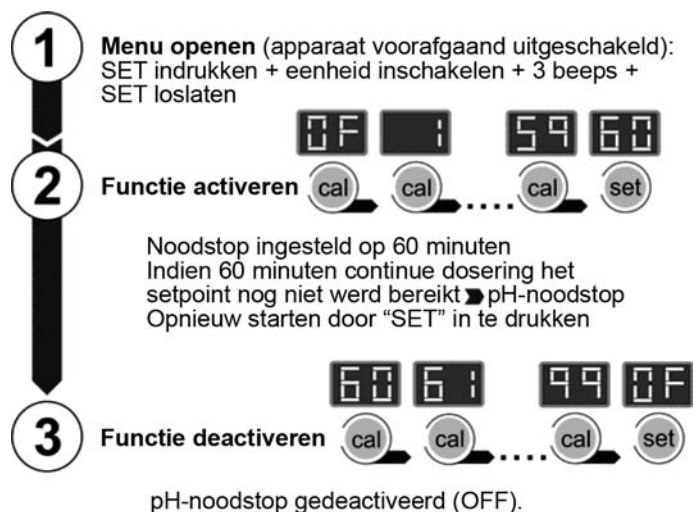


Fig. 27d.

5.6. Alarmen

• HOOG ZOUTGEHALTE

Indien er een te grote hoeveelheid zout is toegevoegd, zal de voeding automatisch minder gaan produceren dan geselecteerd is. De "HIGH SALT"-led [7] blijft branden. Laat in dat geval een deel van het zwembad leeglopen (bijv. voor 10%) en voeg vers water toe om het zoutgehalte te verlagen. Indien u het exacte zoutgehalte wilt achterhalen, raden wij u aan een draagbare saliniteits-/thermometer te gebruiken.

• LAAG ZOUTGEHALTE

Indien het zoutgehalte in het badwater onder de aanbevolen waarde ligt, zal de voeding het geselecteerde uitgangsniveau niet kunnen halen. De "LOW SALT"-led [6] blijft branden. Bepaal in dat geval het zoutgehalte in het water en voeg de benodigde hoeveelheid zout toe. Het gewone zout (NaCl) dat voor de zoutelektrolyse gebruikt wordt, mag geen toevoegingen (antiklontermiddelen, jodiden) bevatten en dient geschikt te zijn voor menselijke consumptie. Mogelijk geeft het systeem een lager zoutniveau aan indien de temperatuur lager dan 20°C is. Indien u het exacte zoutgehalte wilt achterhalen, raden wij u aan een draagbare saliniteits-/thermometer te gebruiken.

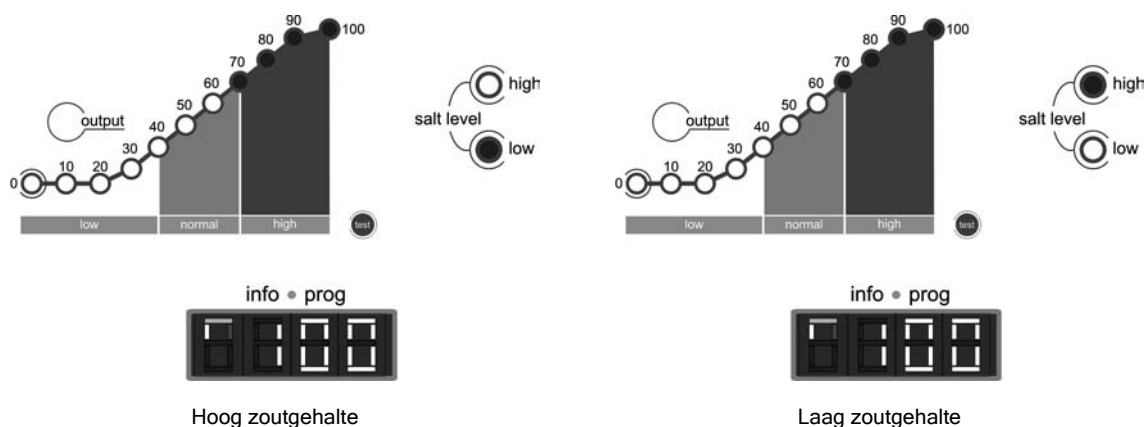
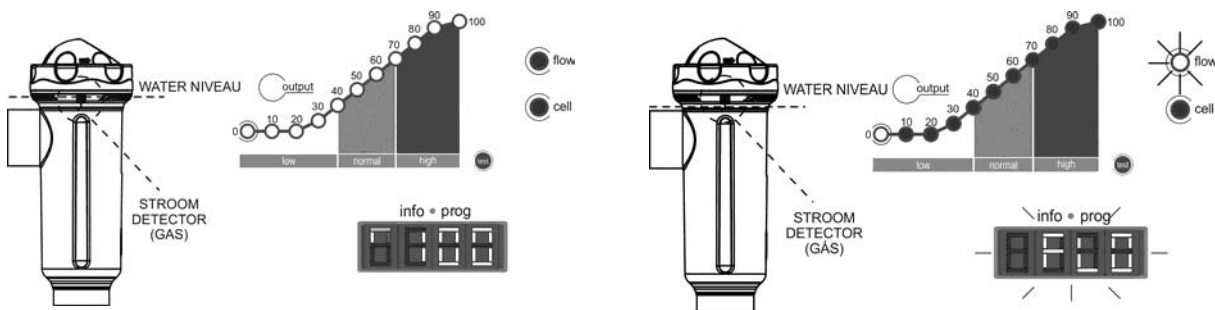


Fig. 28

- **WATERNIVEAU IN DE CEL / STROMINGSDETECTOR (GAS)**

Indien er op enig moment een lucht- of gasbel ontstaat in het bovenste gedeelte van de elektrolysecel en de STROMINGSDETECTOR niet ondergedompeld is, zal het systeem de productie automatisch stopzetten, waarbij de "FLOW"-led [12] gaat knipperen en het woord "FLO" op het systeem-informatiedisplay [11] verschijnt. Het systeem wordt automatisch gereset zodra de waterstroom door de cel hersteld is of de bel verwijderd is.



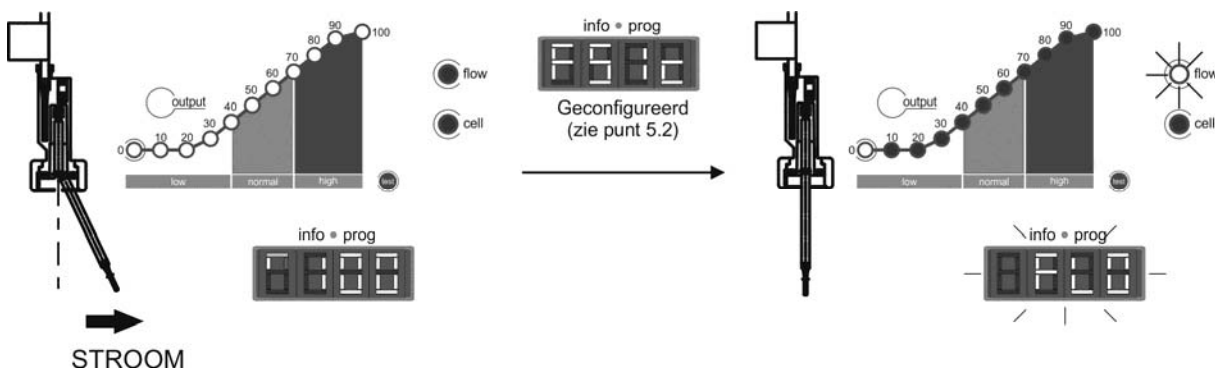
1. Ondergedompelde gasdetector. Voldoende stroming. Systeem in bedrijf.

2. Gas gedetecteerd. Onvoldoende stroming. Systeem stopgezet.

Fig. 29

- **EXTERNE STROMINGSDETECTOR / OPTIONELE STROMINGSSCHAKELAAR (niet bij het apparaat geleverd)**

Indien tijdens het configuratieproces (paragraaf 5.2) de ingang voor de externe stromingsschakelaar geactiveerd wordt, zal het systeem de productie automatisch stopzetten, waarbij de "FLOW"-led [12] gaat knipperen en de melding "FLO" op het systeem-informatie-display [11] verschijnt. Het systeem wordt automatisch gereset zodra de waterstroom door de stromingsschakelaar hersteld is.



1. Stromingsdetector geactiveerd (contact gesloten). Systeem in bedrijf.

2. Stromingsdetector in rust (contact open). Systeem stopgezet.

Fig. 30

- **ELEKTRODEN**

Het DOMOTIC Series-systeem is uitgerust met een led die oplicht bij een storing van de elektroden in de elektrolysecel [13]. Deze storing wordt doorgaans veroorzaakt door het passiveringsproces van de elektroden die het einde van hun levensduur hebben bereikt. Echter, en ondanks het feit dat het een zelfreinigend systeem betreft, zou de storing ook veroorzaakt kunnen worden door de excessieve vorming van kalkaanslag op de elektroden indien het systeem werkt op hard water met een hoge pH-waarde.

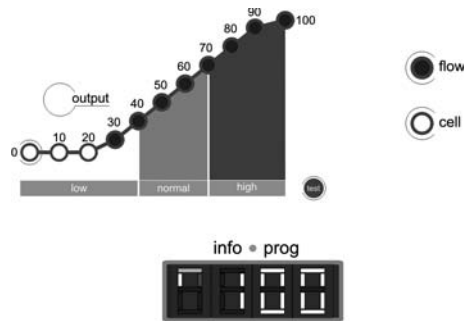


Fig. 31A

- **WERKENDE TIJD (firmware v.3.3.0 en latere versies)**

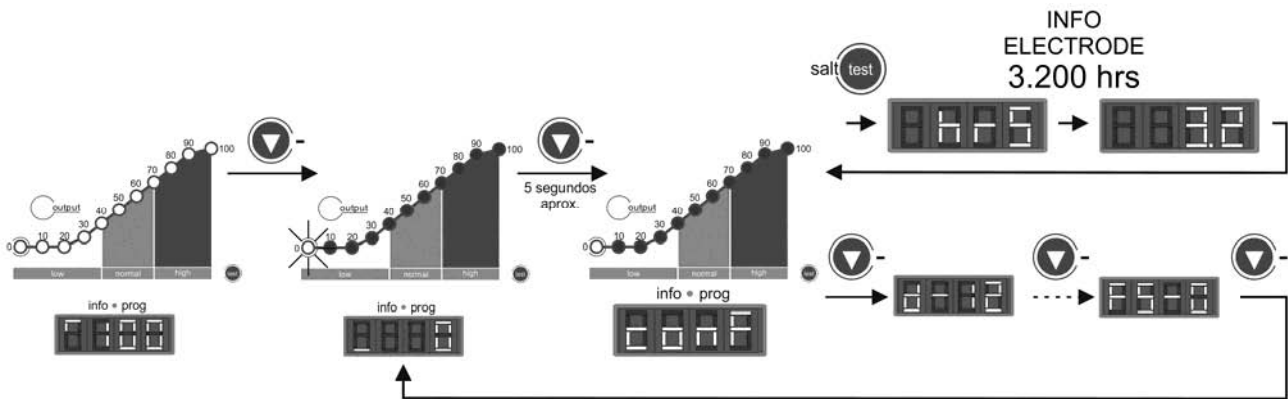


Fig. 31B

- **PH-/ORP-WAARDE BUITEN HET BEREIK (uitsluitend bij de modellen DOM-XX PH- en DOM-XX PLUS)**

De ingebouwde pH-/ORP-regelaar is uitgerust met twee ALARM-leds die oplichten wanneer er een abnormale pH-waarde wordt gedetecteerd, d.w.z. lager dan 6.5 "LOW" [19] of hoger dan 8.5 "HIGH" [16]; of een ORP-waarde die buiten het bereik van 600 mV "LOW" [25] - 850 mV "HIGH" [22] valt. Wanneer de regelaar een actief pH-alarm detecteert, wordt de besturingsuitgang van de doseerpomp (pH) geopend.

6. ONDERHOUD:

6.1. Onderhoud van de elektrolysecel

De cel dient in een goede staat te worden gehouden teneinde een lange levensduur te waarborgen. Het zoutelektrolysesysteem is uitgerust met een automatisch elektrodereinigingssysteem dat de vorming van kalkaanslag op het elektrode-oppervlak voorkomt. Daarom is het doorgaans niet nodig de elektroden te reinigen. Indien het toch nodig blijkt de cel vanbinnen te reinigen, gaat u als volgt te werk:

1. Schakel de 230 Vac-voeding van het apparaat uit.
2. Draai de afsluitmoer los die bevestigd is aan het uiteinde waar de elektroden zich bevinden, en haal het elektrodenpakket eruit.
3. Gebruik verdund zoutzuur (1 deel zoutzuur op 10 delen water) en houd het elektrodenpakket daar gedurende maximaal 10 minuten in ondergedompeld.
4. DE CEL OF DE ELEKTRODEN NOOIT SCHOONKRABBen OF -BORSTELEN.

De elektroden van het elektrolysesysteem zijn opgebouwd uit titanium platen die bedekt zijn met een laag edelmetaal-oxiden. De elektrolyseprocessen die op het elektrodeoppervlak plaatsvinden, veroorzaken een toenemende slijtage. Om een maximale levensduur van de elektroden te waarborgen, dient men rekening te houden met de volgende aspecten:

1. Hoewel het om ZELFREINIGENDE zoutelektrolysesystemen gaat, kan een langdurig functioneren van het systeem bij pH-waarden hoger dan 7.6 in water met een hoge hardheid resulteren in een ophoping van kalkaanslag op het oppervlak van de elektroden. Deze kalkaanslag zal in toenemende mate de coating aantasten, en zo de levensduur van de elektroden verkorten.
2. Een frequente reiniging of spoeling van de elektroden (zoals hierboven beschreven) zal leiden tot een verkorting van hun levensduur.
3. Een langdurig functioneren van het systeem bij saliniteitswaarden lager dan 3 g/l, zal leiden tot een vroegtijdige achteruitgang van de elektroden.
4. Frequent gebruik van algiciden met een hoog kopergehalte kan resulteren in koperneerslag op de elektroden, die de coating ervan in toenemende mate zal aantasten. Onthoud dat chloor het beste algicide is.

6.2. Ijking van de pH-sensor (uitsluitend bij de modellen DOM-XX PH- en DOM-XX PLUS)

De ingebouwde pH-regelaar beschikt over twee modi om de pH-sensor te ijken: "FAST" (snel) en "STANDAARD". Het wordt aanbevolen de pH-sensor ten minste één keer per maand te ijken.

6.2.1. "FAST"-MODUS

De "FAST"-modus biedt de mogelijkheid tot een routine-ijking bij kleine afwijkingen, **zonder dat het daarbij nodig is om de sensor uit de installatie te verwijderen of standaardoplossingen te gebruiken.**

PROCEDURE:

1. Controleer of het punt waar de sensor in bevestigd is onder water staat en of de zuiveringsinstallatie in de recirculatiemodus staat.
2. Meet de actuele pH-waarde van het badwater met behulp van een pH-meetset.
3. Houd de "CAL"-knop [17] ongeveer 5 seconden ingedrukt totdat het apparaat een pieptoon produceert, en laat de knop vervolgens weer los. Het display voor de geprogrammeerde pH-waarde [18] geeft een knipperende "7.0" weer.
4. Houd de "SET"-knop [20] ingedrukt totdat de pH-waarde wordt weergegeven die eerder met behulp van de desbetreffende set in het water werd gemeten. Zodra deze bereikt is, laat u de knop weer los en drukt u op de "CAL"-knop [17]. Indien er geen fout gedetecteerd is, zal het systeem geïjkt zijn.

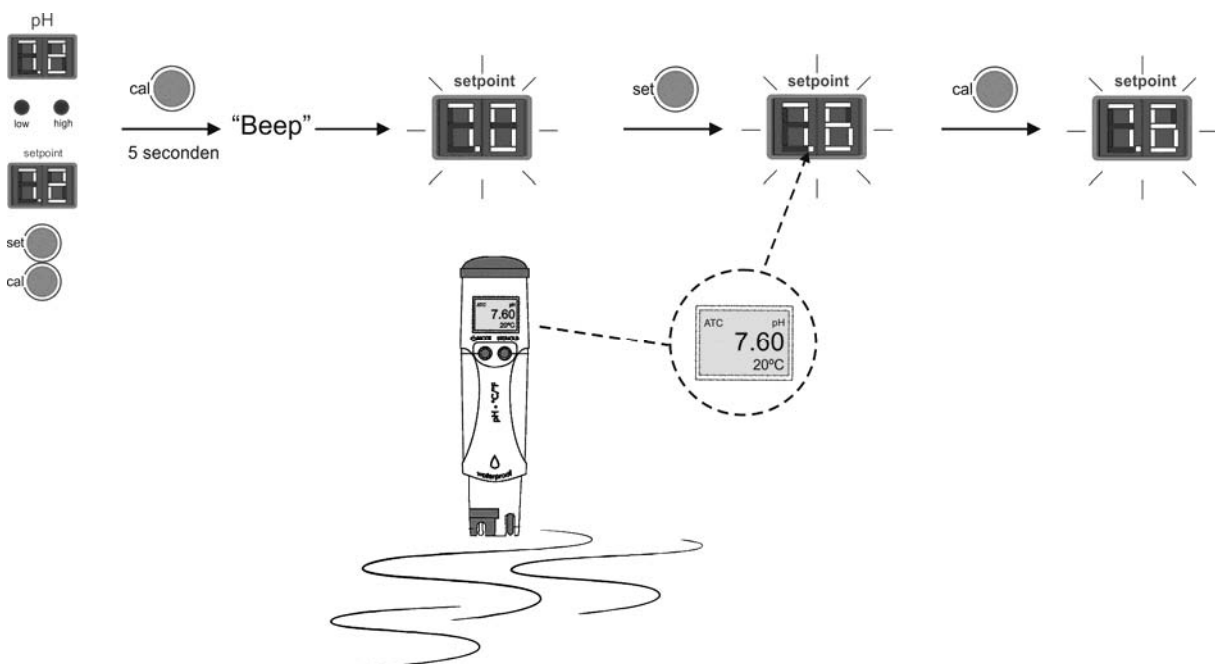


Fig. 32

6.2.2. "STANDAARD"-MODUS

De "STANDAARD"-modus biedt de mogelijkheid tot een nauwkeurige ijking van de sensor met behulp van het gebruik van twee ijkoplossingen met pH-waarden van respectievelijk 7.0 en 4.0. Daarbij dient echter wel de sensor uit de installatie te worden verwijderd.

PROCEDURE:

BELANGRIJK: alvorens over te gaan tot sluiting van de by-pass-kleppen, dient u het systeem stop te zetten op de wijze die beschreven is in paragraaf 5.1.

1. Verwijder de sensor uit de sondehouder en was hem met overvloedig water.



Fig. 33

2. Houd de "CAL"-knop [17] ongeveer 5 seconden ingedrukt totdat het systeem een pieptoon produceert, en houd vervolgens, zonder de eerste knop los te laten, de "SET"-knop [20] enkele seconden ingedrukt totdat het pH-waarde-display [15] een knipperende "7.0" weergeeft.
3. Schud voorzichtig met de sensor om deze te ontdoen van eventuele waterdruppels en zet hem in de ijkoplossing met pH-waarde 7.0 (groen). Schud voorzichtig gedurende enkele seconden en druk vervolgens op de "CAL"-knop [17]. Zodra de aflezing gestabiliseerd is, geeft het display [15] een knipperende "4.0" weer.

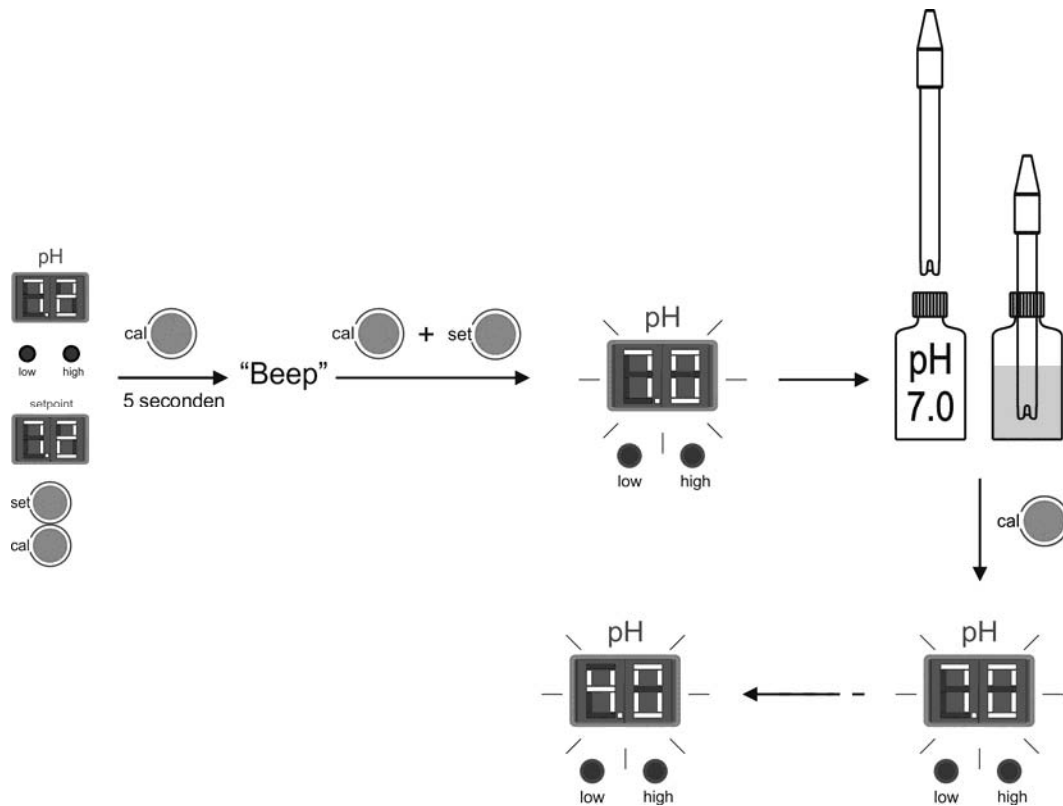


Fig. 34

4. Verwijder de sensor uit de ijkoplossing en spoel deze af met overvloedig water.
5. Schud voorzichtig met de sensor om deze te ontdoen van eventuele waterdruppels en zet hem in de ijkoplossing met pH-waarde 4.0 (rood). Schud voorzichtig gedurende enkele seconden en druk vervolgens op de "CAL"-knop [17]. Zodra de aflezing is gestabiliseerd, zal de pH-regelaar automatisch de ijkmodus verlaten om weer in werking te treden.

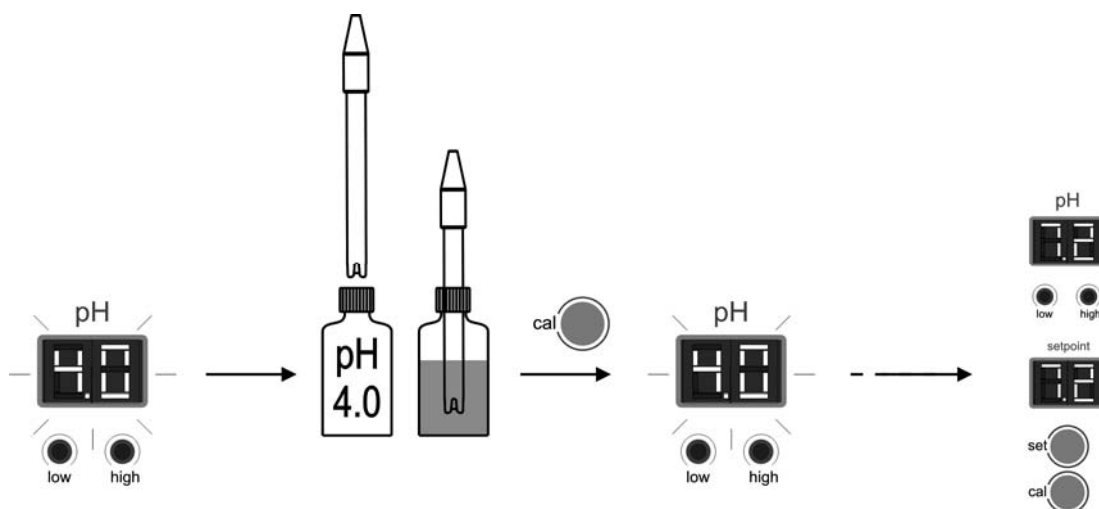


Fig. 35

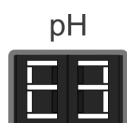
FOUTMELDINGEN:



Indien het ijkproces om welke reden dan ook wordt onderbroken, zal de regelaar de ijkmodus automatisch verlaten indien er niet binnen enkele seconden een ingreep door de gebruiker wordt gedetecteerd. In dat geval zal het display [15] gedurende enige ogenblikken de melding "E1" weergeven.



Indien de pH-waarde die tijdens de ijkning wordt gedetecteerd aanzienlijk verschilt van de verwachte waarde (bijv. door een defecte sonde, enz.), zal het display [15] de melding "E2" weergeven, waardoor er geen ijkning mogelijk is.



Indien de pH-meting gedurende het ijkproces instabiel is, zal de code "E3" op het display [15] verschijnen. In dat geval zal de ijkning van de sensor evenmin mogelijk zijn.

6.3. Ijking van de ORP-sensor (uitsluitend bij de modellen DOM-XX PLUS)

De frequentie waarmee het apparaat wordt geijkt dient bij elke specifieke toepassing te worden vastgesteld. Desondanks adviseren wij om de ijking ten minste één keer per maand uit te voeren in periodes waarin het zwembad gebruikt wordt. De ORP-regelaar beschikt over een systeem voor automatische ijking van de ORP-sensor met behulp van een ijkoplossing van 470 mV.

PROCEDURE:

BELANGRIJK: alvorens over te gaan tot sluiting van de by-pass-kleppen, dient u het systeem stop te zetten via het bedieningspaneel (zie paragraaf 5.1.)

1. Verwijder de sensor uit de sondehouder en was hem met overvloedig water.

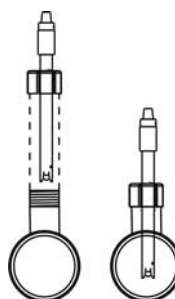


Fig. 36

2. Houd de "CAL"-knop [23] enkele seconden ingedrukt totdat het ORP-display [24] een knipperende "470" weergeeft.
3. Schud voorzichtig met de sensor om deze te ontdoen van eventuele waterdruppels en zet hem vervolgens in de ijkoplossing

(470 mV). Schud voorzichtig gedurende enkele seconden en druk vervolgens op de "CAL"-knop [23]. Indien het ijkproces bevredigend is afgesloten, zal er een lange pieptoon te horen zijn. De regelaar is nu geijkt en gereed voor gebruik.

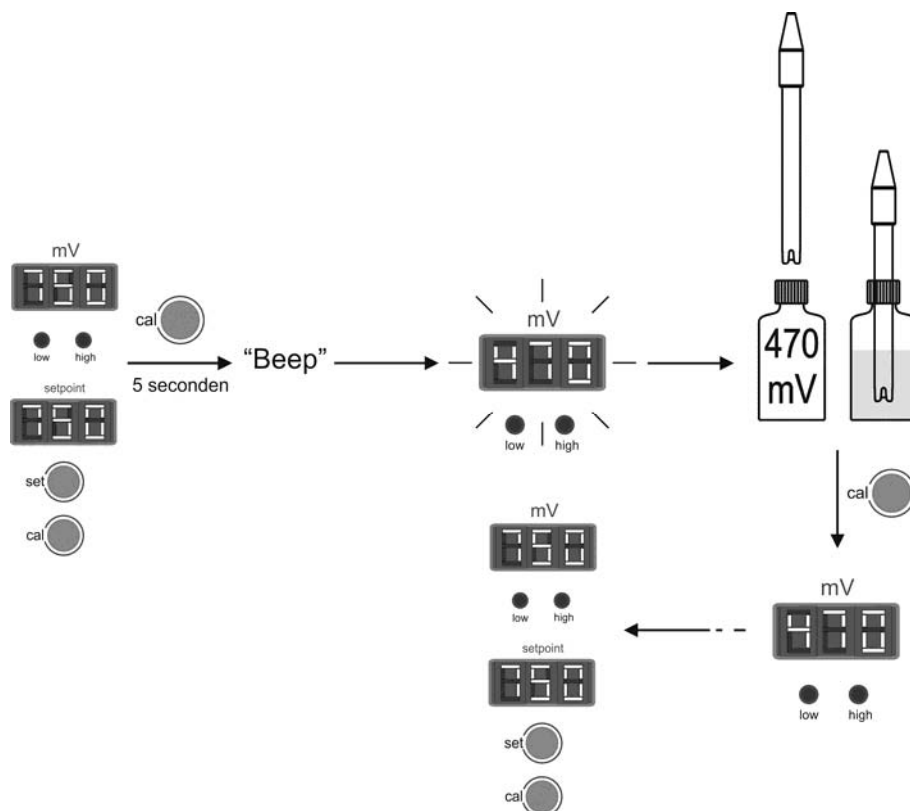
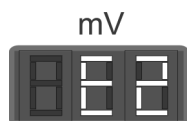


Fig. 37

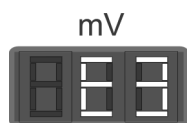
FOUTMELDINGEN:



Indien het ijkproces om welke reden dan ook wordt onderbroken, zal de regelaar de ijkmodus automatisch verlaten indien er niet binnen enkele seconden een ingreep door de gebruiker wordt gedetecteerd. In dat geval zal het display [21] gedurende enige ogenblikken de melding "E1" weergeven.



Indien de ORP-waarde die tijdens de ijking wordt gedetecteerd aanzienlijk verschilt van de verwachte waarde (bijv. door een defecte sonde, enz.), zal het display [21] de melding "E2" weergeven, waardoor er geen ijking mogelijk is.



Indien de ORP-meting gedurende het ijkproces instabiel is, zal de code "E3" op het display [21] verschijnen. In dat geval zal de ijking van de sensor evenmin mogelijk zijn.

6.4. Onderhoud van de pH-/ORP-sensoren

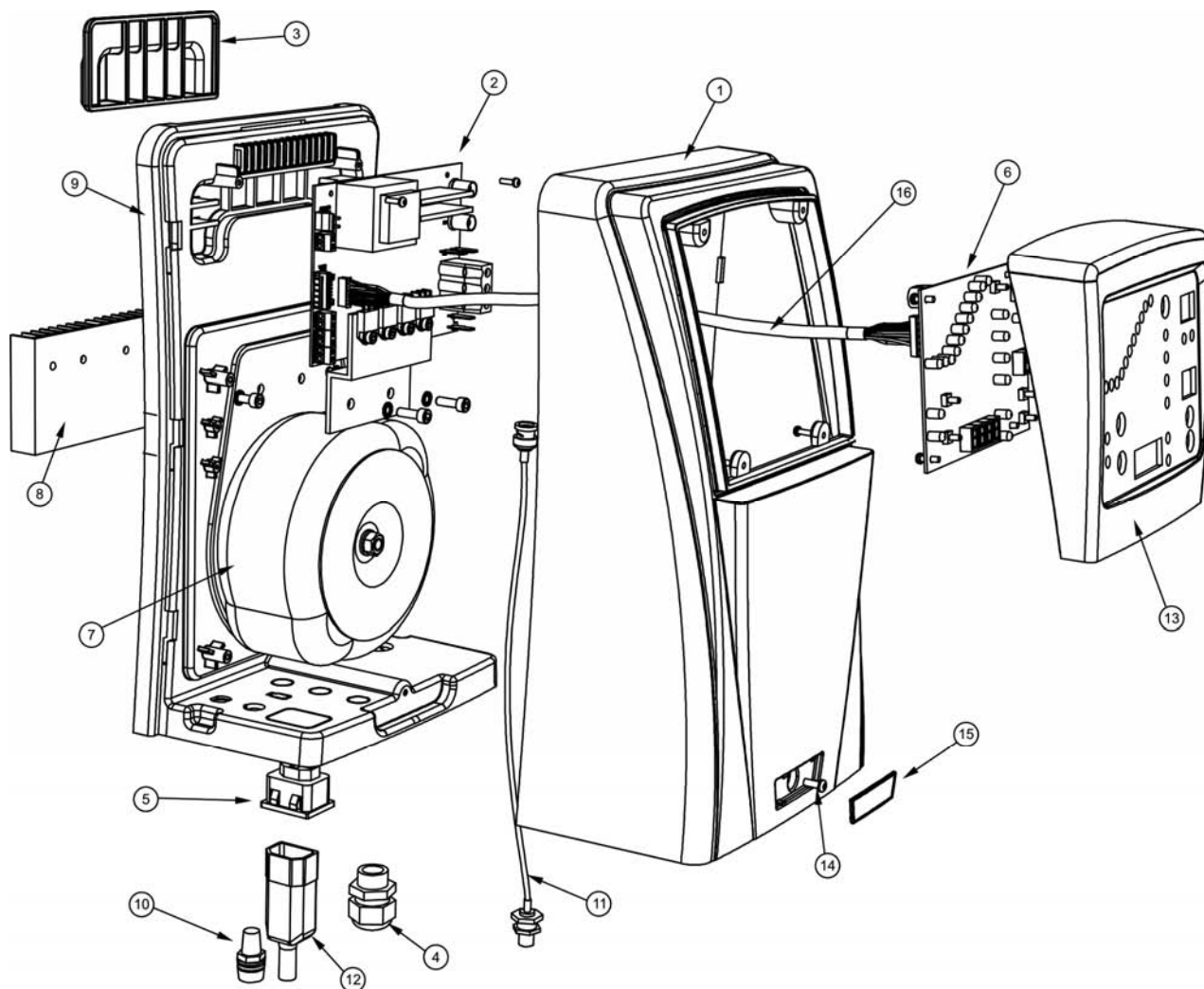
1. Controleer of de membraan van de sensor steeds vochtig is.
2. Indien u de sensor gedurende lange tijd niet gaat gebruiken, dient u deze ondergedompeld in een conserveringsoplossing met een pH-waarde van 4.0 te bewaren
3. Voor het reinigen van de sensor mogen geen schurende middelen worden gebruikt, aangezien deze krassen zouden kunnen veroorzaken op het meetoppervlak.
4. De pH-/ORP-sensoren zijn aan slijtage onderhevig, waardoor ze eens in de zoveel tijd vervangen moeten worden.

7. PROBLEMEN OPLOSSEN: _____

Elke handeling die vereist is om eventuele problemen met het apparaat op te lossen, mag uitsluitend worden uitgevoerd indien het apparaat losgekoppeld is van het lichtnet. Elk probleem dat niet opgenomen is in de onderstaande lijst dient te worden opgelost door een technicus van IDEGIS.

PROBLEEM	OPLOSSING
De productie-indicator geeft steeds een "0" weer, bij welk geselecteerd productieniveau dan ook	<p>Controleer de elektroden.</p> <p>Controleer de aansluitingen tussen de voeding en de elektrolysecel.</p> <p>Controleer het zoutgehalte.</p>
De voeding is niet ingeschakeld	<p>Controleer of het systeem op de juiste manier aangesloten is op 230 V/50-60 Hz in de schakelkast van het zwembad.</p> <p>Controleer de staat van de zekering die zich in het onderste gedeelte van de voeding bevindt.</p>
De concentraties vrij chloor in het water zijn te laag	<p>Controleer of het systeem chloor produceert in de spuitmond.</p> <p>Controleer of de chemische parameters van het water (pH, gecombineerd chloor, isocyanuurzuur) correct zijn.</p> <p>Verleng de filtertijd.</p> <p>Voeg een chloorstabilisator toe (cyanuurzuur) totdat er een niveau van 25 - 30 g/m³ bereikt is.</p>
De pH/ORP-regelaar geeft steeds hoge waarden aan, of de aflezingen zijn instabiel	<p>De aansluitkabel van de pH-/ORP-sensor is beschadigd. Reinig de contacten of vervang de kabel.</p> <p>De pH-/ORP-sensor heeft een luchtbel in het gedeelte van de membraan. Installeer de sensor in verticale positie. Schud voorzichtig totdat de bel verdwijnt.</p> <p>Fout in de pH-/ORP-sensor. De aansluitkabel is te lang of bevindt zich in de nabijheid van elektromagnetische interferentiebronnen (motoren, enz.). Vervang de sensor. Installeer het apparaat zo dicht mogelijk bij de sensor.</p>
Ijking van de pH-/ORP-sensor onmogelijk	<p>De ijkoplossing is over datum of vervuild.</p> <p>De sensormembraan is geblokkeerd. Controleer of de membraan niet beschadigd is. Reinig de sensor met in water opgelost zuur, en schud er voorzichtig mee.</p> <p>Sensorfout. Vervangen door een nieuwe.</p>
Trage reactie van de pH-/ORP-sensor	<p>De sensor is elektrostatisch geladen. Gedurende de ijfphase mogen de sensoren niet gedroogd worden met papier of stof. Uitsluitend met water reinigen en voorzichtig schudden.</p> <p>Onvoldoende verversing van het geanalyseerde water (er is geen waterstroming op het analysepunt). Controleer of het uiteinde van de sensor ondergedompeld is op het analysepunt en of er geen luchtballen zitten.</p>

8. ONDERDELEN:



VOEDING

ID	BESCHRIJVING	DOM 12	DOM 24	DOM 32	DOM 42	DOM 12 PH	DOM 24 PH	DOM 32 PH	DOM 42 PH	DOM 12 PLUS	DOM 24 PLUS	DOM 32 PLUS	DOM 42 PLUS	AANT
1	Voorkap voeding	X	X	X	X	X	X	X	X	X	X	X	X	1
2	Vermogenskaart AC-12	X												1
2	Vermogenskaart AC-22		X											1
2	Vermogenskaart AC-30			X										1
2	Vermogenskaart AC-7				X									1
2	Vermogenskaart AC-12/PH					X								1
2	Vermogenskaart AC-22/PH						X							1
2	Vermogenskaart AC-30/PH							X						1
2	Vermogenskaart AC-7/PH								X					1
2	Vermogenskaart AC-12/PH/ORP									X				1
2	Vermogenskaart AC-22/PH/ORP										X			1
2	Vermogenskaart AC-30/PH/ORP											X		1
2	Vermogenskaart AC-7/PH/ORP												X	1
3	Wandbevestiging	X	X	X	X	X	X	X	X	X	X	X	X	1
4	Kabelwartel M20	X	X	X	X	X	X	X	X	X	X	X	X	1
5	CEE22 H-connector externe pH-pomp					X	X	X	X	X	X	X	X	1
6	Grafische kaart elektrolyse	X	X	X	X									1
6	Grafische kaart elektrolyse/PH					X	X	X	X					1
6	Grafische kaart elektrolyse/PH/ORP									X				1
7	Stroomtransformator 190 VA	X				X				X				1
7	Stroomtransformator 370 VA		X				X				X			1
7	Stroomtransformator 480 VA			X				X				X		1
7	Stroomtransformator 490 VA				X				X				X	1
8	Externe afvoer	X	X	X	X	X	X	X	X	X	X	X	X	1
9	Interne structuur regelaars	X	X	X	X	X	X	X	X	X	X	X	X	1
10	Zekeringhouder	X	X	X	X	X	X	X	X	X	X	X	X	1
11	Interne BNC-kabel					1	1	1	1	2	2	2	2	1
12	CEE22 M-connector externe pH-pomp					X	X	X	X	X	X	X	X	1
13	Voorkap verwijderbare terminal	X	X	X	X	X	X	X	X	X	X	X	X	1
14	Bevestigingsschroef voorkap voeding	X	X	X	X	X	X	X	X	X	X	X	X	1
15	Afdekplaatje voorkant	X	X	X	X	X	X	X	X	X	X	X	X	1
16	Kabel vermogenskaart-grafische kaart	X	X	X	X	X	X	X	X	X	X	X	X	1

9. TECHNISCHE EIGENSCHAPPEN:

TECHNISCHE SPECIFICATIES:

Standaardbedrijfsspanning

230V AC, 50/60 Hz.
Kabel: 3 x 1.0 mm², lengte 2 m.
Domotic Series 12 0,36 A
Domotic Series 24 0.72 A
Domotic Series 32 0.89 A
Domotic Series 42 0.89 A

Zekering

Domotic Series 12 2A T (5x20 mm)
Domotic Series 24 3.15A T (5x20 mm)
Domotic Series 32 4A T (5x20 mm)
Domotic Series 42 4A T (5x20 mm)

Uitgangsspanning

8 - 9V DC (24 V DC DOM-42)
Kabel 3 x 4 mm², lengte 2 m.
Domotic Series 12 12 A (2x6 A)
Domotic Series 24 24 A (2x12 A)
Domotic Series 32 32 A (2x16 A)
Domotic Series 42 42 A (6x7 A)

Productie

Domotic Series 12 10 - 12 g/u
Domotic Series 24 20 - 24 g/u
Domotic Series 32 25 - 32 g/u
Domotic Series 40 34 - 42 g/u

Minimumrecirculatie debiet

Domotic Series 12 2 m³/u
Domotic Series 24 4 m³/u
Domotic Series 32 6 m³/u
Domotic Series 42 8 m³/u

Aantal elektrodes

Domotic Series 12 5
Domotic Series 24 7
Domotic Series 32 7
Domotic Series 42 13

Nettogewicht (inclusief verpakking)

Domotic Series 12 11 Kg.
Domotic Series 24 13 Kg.
Domotic Series 32 15 Kg.
Domotic Series 42 17 Kg.

ALGEMENE EIGENSCHAPPEN:

Regelsysteem

- Microprocessor.
- Membraantoetsenbord met bedieningsknoppen en prestatie-indicator-leds.
- Besturings-I/-U 3 ingangen (type potentiaalvrij contact) voor het monitoren van de externe stromingsdetector, de staat van de automatische afdekking en de ORP- / afvalchloor-regelaar.
- Celuitgang: productieregeling (11 discrete niveaus).
- Geïntegreerde pH-regelaar.
(uitsluitend bij de modellen DOM-XX PH- en DOM-XX PLUS)
- Geïntegreerde ORP-regelaar.
(uitsluitend bij de modellen DOM-XX PLUS).

Zelfreiniging

Automatisch, door polariteitsomkering

Bedrijfstemperatuur

Van 0°C tot +40°C
Koeling: middels convectie

Materiaal

Voeding / wandterminal
○ ABS
Elektrolysecel en sensorhouder
○ Transparant methacrylaat

PH-sensor (modellen DOM-XX PH en DOM-XX PLUS)

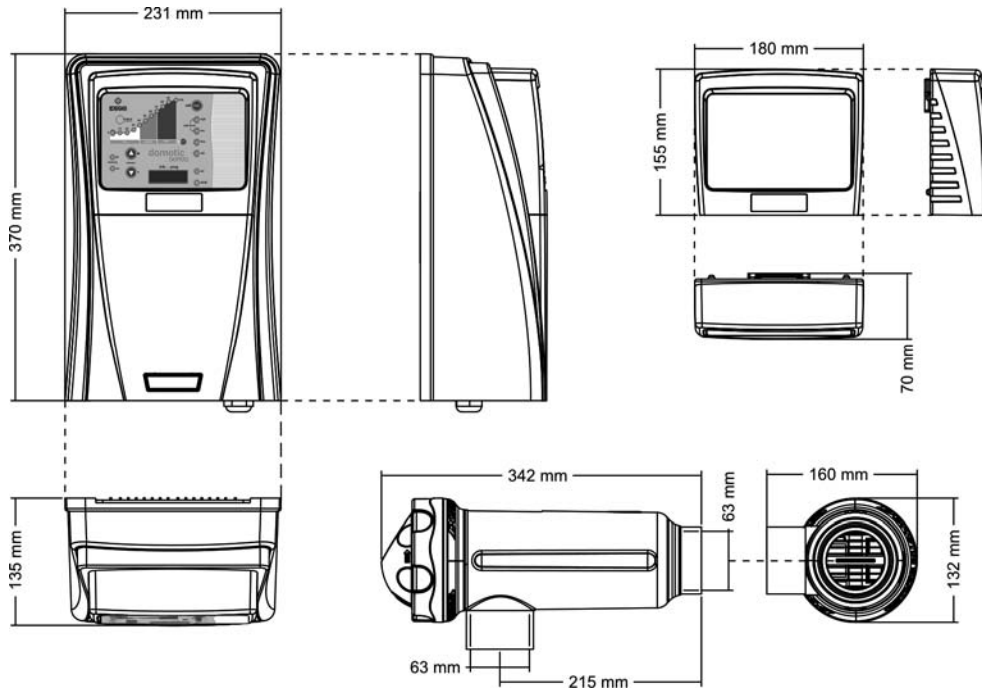
Behuizing: plastic (blauw)
Bereik: 0 - 12 pH
Vaste elektrolyt

ORP-sensor (modellen DOM-XX PLUS)

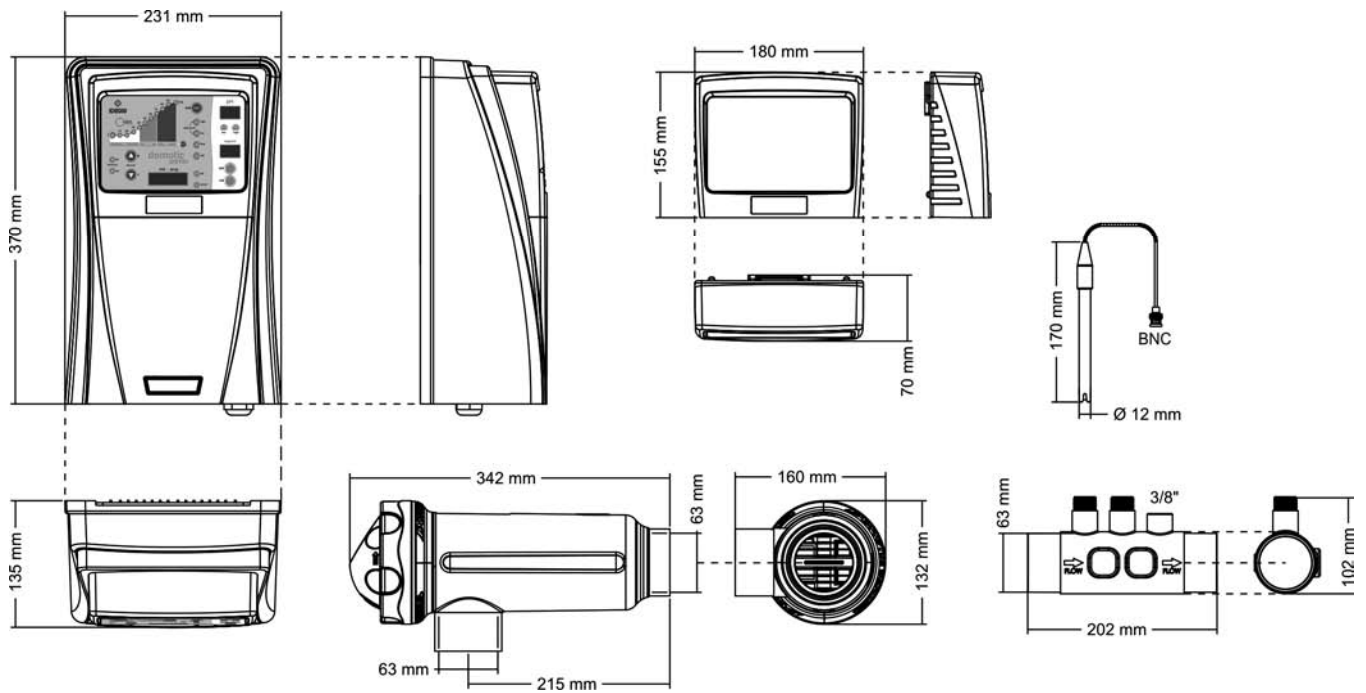
Behuizing: plastic (rood)
Bereik 0 - 1000 mV
Vaste elektrolyt

Afmetingen

DOMOTIC (modellen DOM-XX)



DOMOTIC PH / PLUS (modellen DOM-XX PH en DOM-XX PLUS)



10. GARANTIEVOORWAARDEN:

10.1. ALGEMENE ASPECTEN

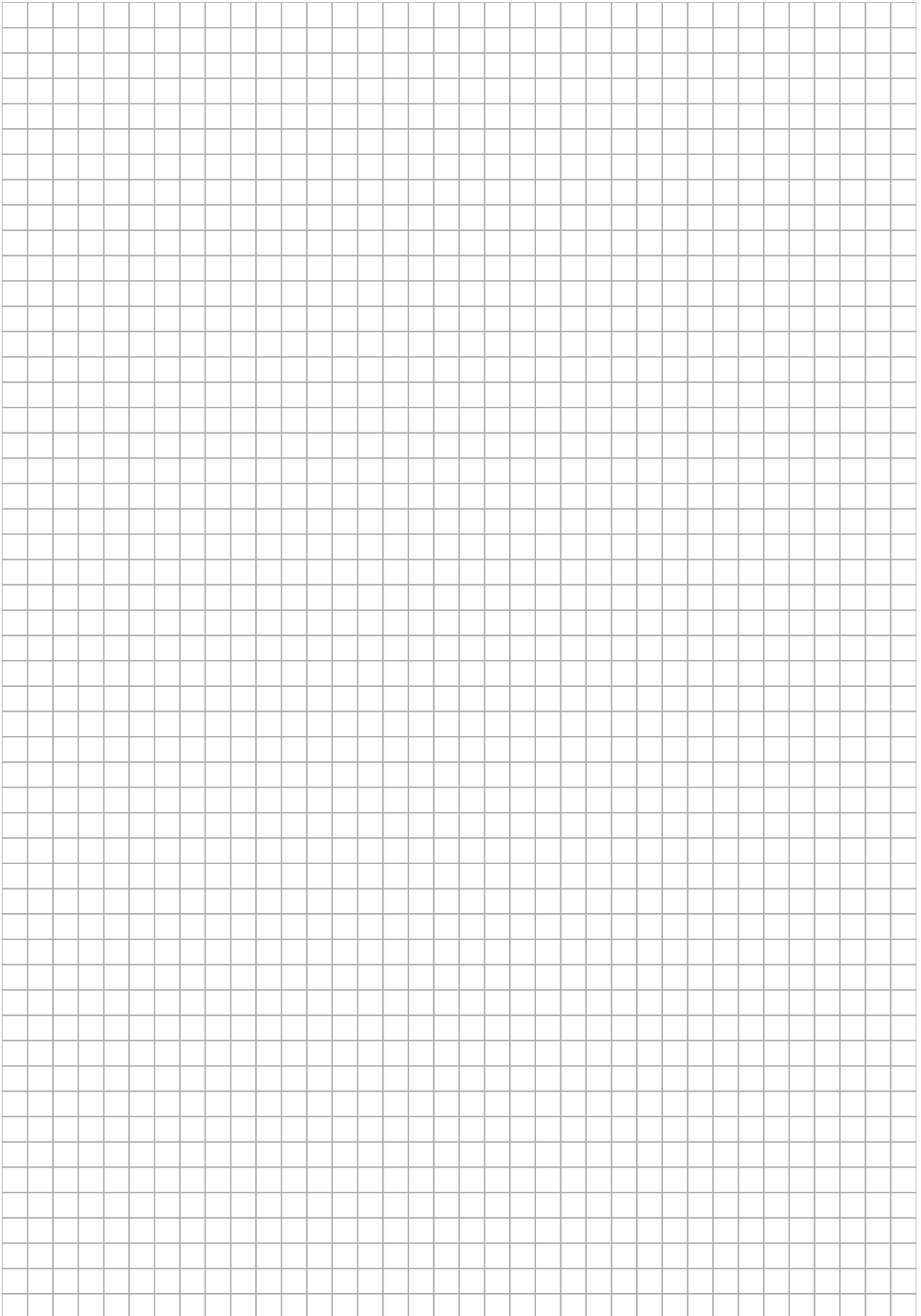
- 10.1.1. Overeenkomstig deze bepalingen, waarborgt de verkoper dat het product waarop deze garantie van toepassing is, bij levering geen gebreken vertoont.
- 10.1.2. De totale garantietermijn bedraagt 3 JAAR.
- 10.1.3. Afzonderlijke garanties:
 - 10.1.3.1. Voor de elektroden geldt een speciale garantie van 5 JAAR ⁽¹⁾ of 5.000 uren (welke het eerst versteken is), zonder uitbreidingen.
 - 10.1.3.2. De pH-/ORP-sensoren hebben een garantietermijn van 6 MAANDEN, zonder uitbreidingen.
 - 10.1.3.3. Deze speciale garantietermijnen zijn onderhevig aan de specifieke beperkingen vervat in paragraaf §10.3.2.
- 10.1.4. De garantietermijn zal ingaan op het moment waarop het product aan de koper wordt geleverd.
- 10.1.5. Indien het product gebreken vertoont en de verkoper daar binnen de garantietermijn van op de hoogte wordt gesteld door de koper, dient de verkoper het product op eigen kosten te repareren of te vervangen waar hij dat gepast acht, tenzij dat onmogelijk of onevenredig blijkt.
- 10.1.6. Indien het product niet gerepareerd of vervangen kan worden, kan de koper verzoeken om een proportionele prijsverlaging of, indien het defect aanzienlijk genoeg is, om ontbinding van de verkoopovereenkomst.
- 10.1.7. De onderdelen die krachtens deze garantie vervangen of gerepareerd worden, zullen geen aanleiding geven tot een verlenging van de garantietermijn van het oorspronkelijk product, hoewel voor deze onderdelen een afzonderlijke garantie geldt.
- 10.1.8. Om aanspraak te kunnen maken op deze garantie, dient de koper aan te kunnen tonen op welke aankoopdatum het product is aangeschaft en geleverd.
- 10.1.9. Nadat er zes maanden verstreken zijn sinds de levering van het product aan de koper, en deze melding maakt van een defect, dient de koper de oorzaak en het bestaan van het vermeende defect aan te kunnen tonen.
- 10.1.10. Onderhavig garantiebewijs houdt geen beperking in van, noch doet zij afbreuk aan, de rechten die consumenten krachtens de dwingende nationale wetsbepalingen genieten.

10.2. BIJZONDERE VOORWAARDEN

- 10.2.1. Om aanspraak te kunnen maken op deze garantie, dient de koper de aanwijzingen van de fabrikant die vervat zijn in de documentatie die bij het product wordt geleverd, nauwgezet in acht te nemen indien die documentatie van toepassing is al naargelang de productreeks en het -model.
- 10.2.2. Indien er een tijdschema wordt gespecificeerd voor de vervanging, het onderhoud of de reiniging van bepaalde onderdelen of componenten, zal de garantie uitsluitend geldig zijn indien dergelijk tijdschema correct is nageleefd.

10.3. BEPERKINGEN

- 10.3.1. Onderhavige garantie is uitsluitend van toepassing op de producten die verkocht zijn aan consumenten, waarbij onder "consument" wordt verstaan: degene die een product aanschafft voor doeleinden die niet binnen de beroepsactiviteiten van die persoon vallen.
- 10.3.2. De speciale garantietermijnen vastgesteld in paragraaf §10.1.3 zullen niet van toepassing zijn bij een commercieel gebruik van het product in ruimtes die publiekelijk toegankelijk zijn (hotels, sportcentra, goederengemeenschappen, scholen, enz.). In dergelijke gevallen zal na 4500 aantoonbare bedrijfsuren een garantie van toepassing zijn die evenredig is aan het aantal bedrijfsuren dat resteert tot de oorspronkelijke garantietermijn van 5000 uren.
- 10.3.3. Er wordt geen enkele garantie toegekend ingeval van normale slijtage door gebruik van het product, noch met betrekking tot de onderdelen, componenten en/of vervangbare of verbruiksgoederen (uitgezonderd de elektrode).
- 10.3.4. De garantie geldt niet indien het product: (i) incorrect gehanteerd is; (ii) geïnspecteerd, gerepareerd, onderhouden of behandeld is door een niet-erkend persoon; (iii) gerepareerd of onderhouden is met niet-originele reserveonderdelen of (iv) op incorrecte wijze geïnstalleerd of in bedrijf gesteld is.
- 10.3.5. Indien het defect aan het product het gevolg is van een incorrecte installatie of inbedrijfstelling, zal de onderhavige garantie uitsluitend van toepassing zijn indien een dergelijke installatie of inbedrijfstelling inbegrepen is in de verkoopovereenkomst van het product en uitgevoerd werd door de verkoper of onder zijn verantwoordelijkheid.
- 10.3.6. Schade of defecten aan het product ten gevolge van een van de onderstaande omstandigheden:
 - Een incorrect uitgevoerde programmering van het systeem en/of ijking van de pH-/ORP-sensoren door de gebruiker.
 - Werking bij saliniteitswaarden lager dan 3 g/l natriumchloride en/of temperaturen lager dan 15°C of hoger dan 40°C.
 - Werking bij pH-waarden hoger dan 7.6.
 - Gebruik van chemische producten die expliciet worden afgekeurd.
 - Het met een onverantwoord hoge frequentie uitvoeren van reinigingswerkzaamheden aan de elektroden, of met producten en/of middels procedures die afwijken van die welke beschreven zijn in de handleiding.
 - Blootstelling aan een corrosieve omgeving en/of aan temperaturen lager dan 0°C of hoger dan 50°C.



EN PRODUCTS
FR PRODUITS
ES PRODUCTOS
IT PRODOTTI
DE PRODUKTE
PT PRODUTOS

SALT ELECTROLYSIS SYSTEM
SYSTÈME D'ÉLECTROLYSE SALINE
SISTEMA DE ELECTROLISIS DE SAL
SISTEMA D'ELETTROLISI SALINA
SALZ-ELEKTROLYSE-SYSTEM
SISTEMA DE ELECTRÓLISE SALINA

DOM-12 / DOM-12 PH / DOM-12 PLUS
DOM-24 / DOM-24 PH / DOM-24 PLUS
DOM-32 / DOM-32 PH / DOM-32 PLUS
DOM-42 / DOM-42 PH / DOM-42 PLUS

DECLARATION EC OF CONFORMITY

The products listed above are in compliance with:

Low Voltage Directive (LVD) 2006/95/EC.
Electromagnetic Compatibility Directive (CEM)
2004/108/EC.
ROHS Directive 2011/65/EC.

DÉCLARATION CE DE CONFORMITÉ

Les produits énumérés ci-dessus sont conformes à:

La Directive des Appareils à Basse Tension (LVD)
2006/95/EC.
La Directive de Compatibilité Électromagnétique (CEM)
2004/108/EC.
La Directive ROHS 2011/65/EC.

DECLARACION CE DE CONFORMIDAD

Los productos arriba enumerados se hallan conformes con:

Directiva de Equipos de Baja Tensión (LVD) 2006/95/EC.
Directiva de Compatibilidad Electromagnética (CEM)
2004/108/EC.
Directiva ROHS 2011/65/EC.

DICHIARAZIONE CE DI CONFORMITÀ

I prodotti di cui sopra adempiono alle seguenti direttive:

Direttiva per gli Apparecchi a Bassa Tensione (LVD)
2006/95EC.
Direttiva di Compatibilità elettromagnetica (CEM)
2004/108/EC.
Direttiva ROHS 2011/65/EC.

KONFORMITÄTSERKLÄRUNG CE

Die oben aufgeführten Produkte sind konform mit:

Richtlinie für Niederspannungsanlagen (LVD) 2006/95/EC.
Richtlinie zur elektromagnetischen Kompatibilität (CEM)
2004/108/EC.
Richtlinie ROHS 2011/65/EC.

DECLARAÇÃO CE DE CONFORMIDADE

Os produtos relacionados acima estão conformes as:

Directiva de Equipamentos de Baixa Tenção (LVD)
2006/95/EC.
Directiva de Compatibilidade Electromagnética (CEM)
2004/108/EC.
Directiva ROHS 2011/65/EC.

EG-VERKLARING VAN OVEREENSTEMMING

De onderstaande producten zijn conform met:

de Laagspanningsrichtlijn 2006/95/EEG
de Richtlijn inzake elektromagnetische compatibiliteit
2004/108/EEG
de Richtlijn ROHS 2011/65/EC.

Signature / Qualification:

Signature / Qualification:

Firma / Cargo:

Firma / Qualifica:

Unterschrift / Qualifizierung:

Assinatura / Título:

Handtekening / Kwalificatie:

Gaspar Sánchez Cano
Gerente

I.D. ELECTROQUIMICA, S.L.
Pol. Ind. Atalayas, Dracma R-19
E-03114 ALICANTE. Spain.

02-03-2012

Made in EC

I.D. ELECTROQUIMICA, S.L.
Polig. Ind. Atalayas, c./ Dracma R-19
E-03114 ALICANTE
Tel. +34 965101979 Fax +34 965107293
info@idegis.es www.idegis.es

DOM10182540E111-15

We reserve to change all or part of the articles or contents of this document, without prior notice
Nous nous reservons le droit de modifier totalment oru en partie les caracteristiques de nos articles ou le contenu de ce document sans pré avis
Nos reservamos el derecho de cambiar total o parcialmente las características de nuestros artículos o el contenido de eeste documento sin previo aviso
Ci riservamo il dritto di cambiare totalmente o parzialmente le caratatteristiche technique dei nostri prodotti ed il cotenuto di questo documntosenza nessun preavviso
Wir behalten uns das recht vor die eigenschatten unserer produkte oder den inhalt dieses prospektes teilweise oder vollstanding, ohne vorherige benachichtigung zu andern
Reservamo-nos no dereito de alterar, total ou parcialmente as características dos nossos artigos ou o coteúdo deste documento sem aviso prévio.
We behouden ons het recht voor om de kenmerken van onze producten of de inhoud van dit document zonder voorafgaande kennisgeving geheel of gedeeltelijk te veranderen