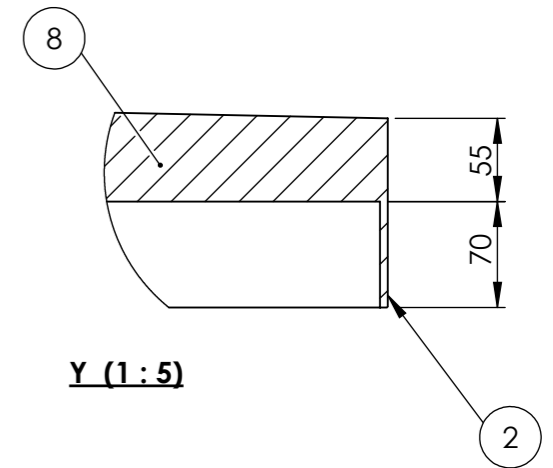
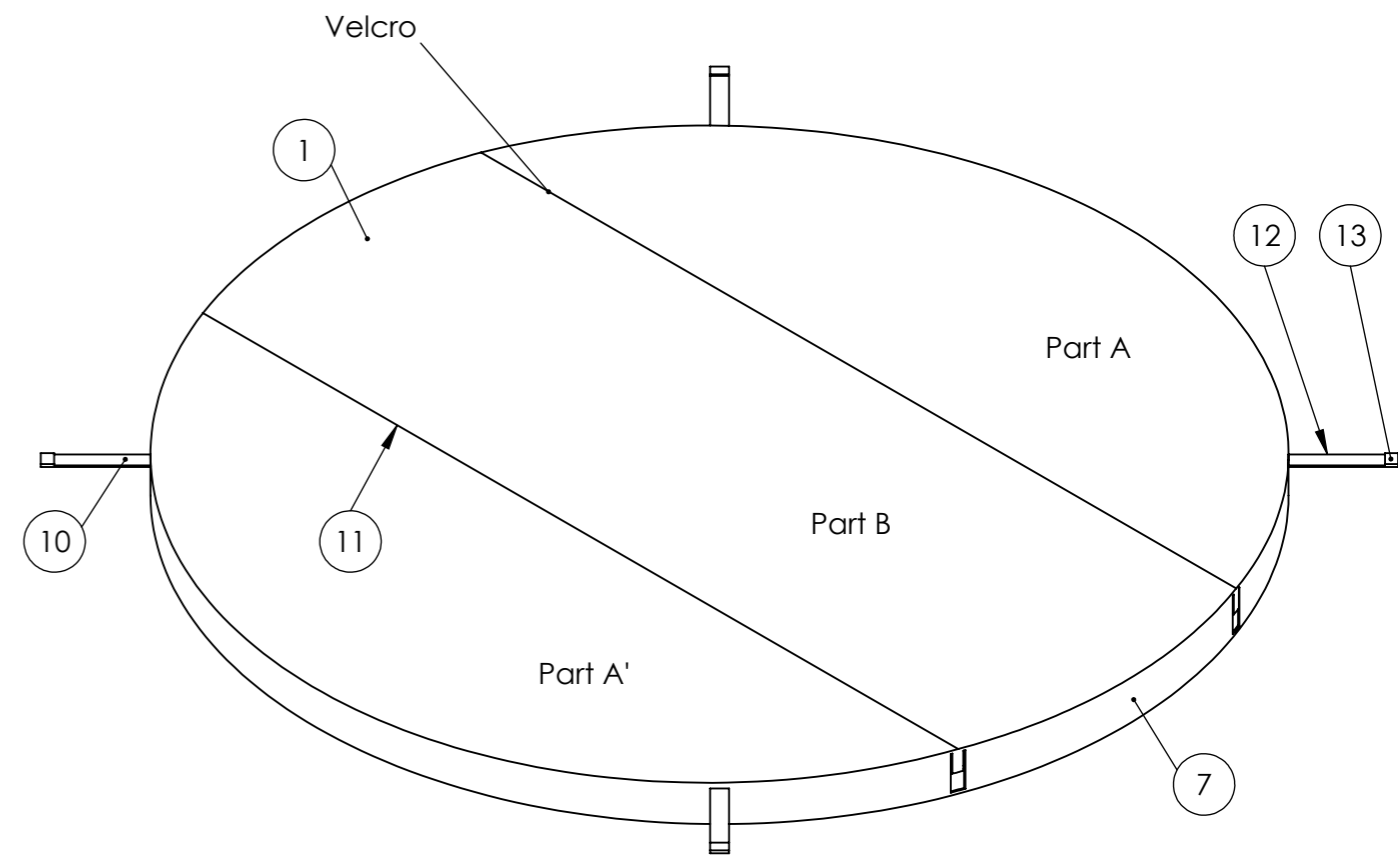


X (1:5)



Y (1:5)



| Number | Description |
|--------|-------------------------|
| 1 | UV resistant PVC Jacket |
| 2 | Perimeter arpon |
| 3 | Commercial nyle zipper |
| 4 | Seal Gasket |
| 5 | Steel reinforcement |
| 6 | Drain grid |
| 7 | PVC Jacket |
| 8 | EPS foam core |
| 9 | Vapor proof barrier |
| 10 | Handle |
| 11 | Folding Hinge |
| 12 | Regulable strip 200-350 |
| 13 | Sure lock fastener |

| Change No. | Date | Name | Modification | | | |
|-----------------------|---|-----------------|-----------------|--|------------------|------------------------|
| 00 | 13/07/2020 | A.Miquel | Creació plànol. | | | |
| Remarks Observaciones | | | | | | |
| Drawn | Date | Name | Part Name | Part Number | Rev No. | |
| Dibujado | 13/07/2020 | A.Miquel | Bali Cover | 40769-1000-F | 00 | |
| Checked | 13/07/2020 | X.Codina | Cubierta Bali | | | |
| Scale | General Tolerance | Material | Size | Surface Coating | Color RAL | |
| 1:20 | Tolerancias Generales DIN 7168 ISO 2768g | According spec. | DIN-A3 | Acabado Superficial According spec. | 7042 | |
| Sheet | IBERSPA | | Drawing type | Weight | Surface Hardness | First Angle Projection |
| 1/1 | Assembled in spa number Montado en número de spa | | Producto | (kg) | Shore A | Projection |