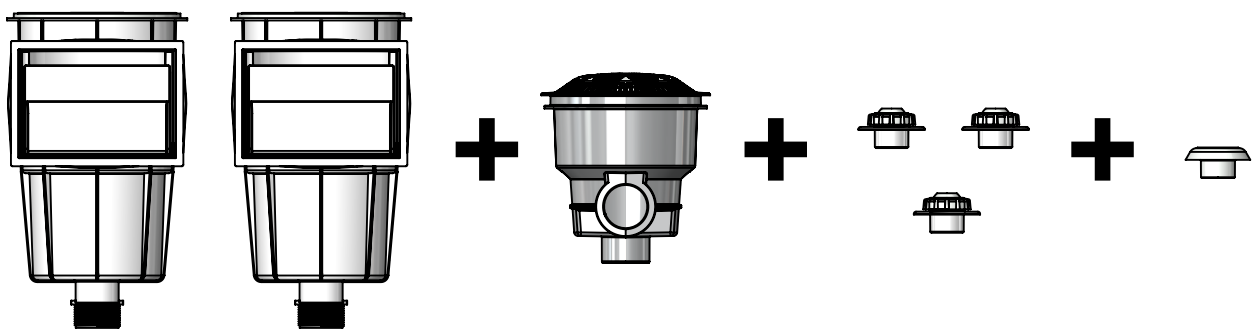
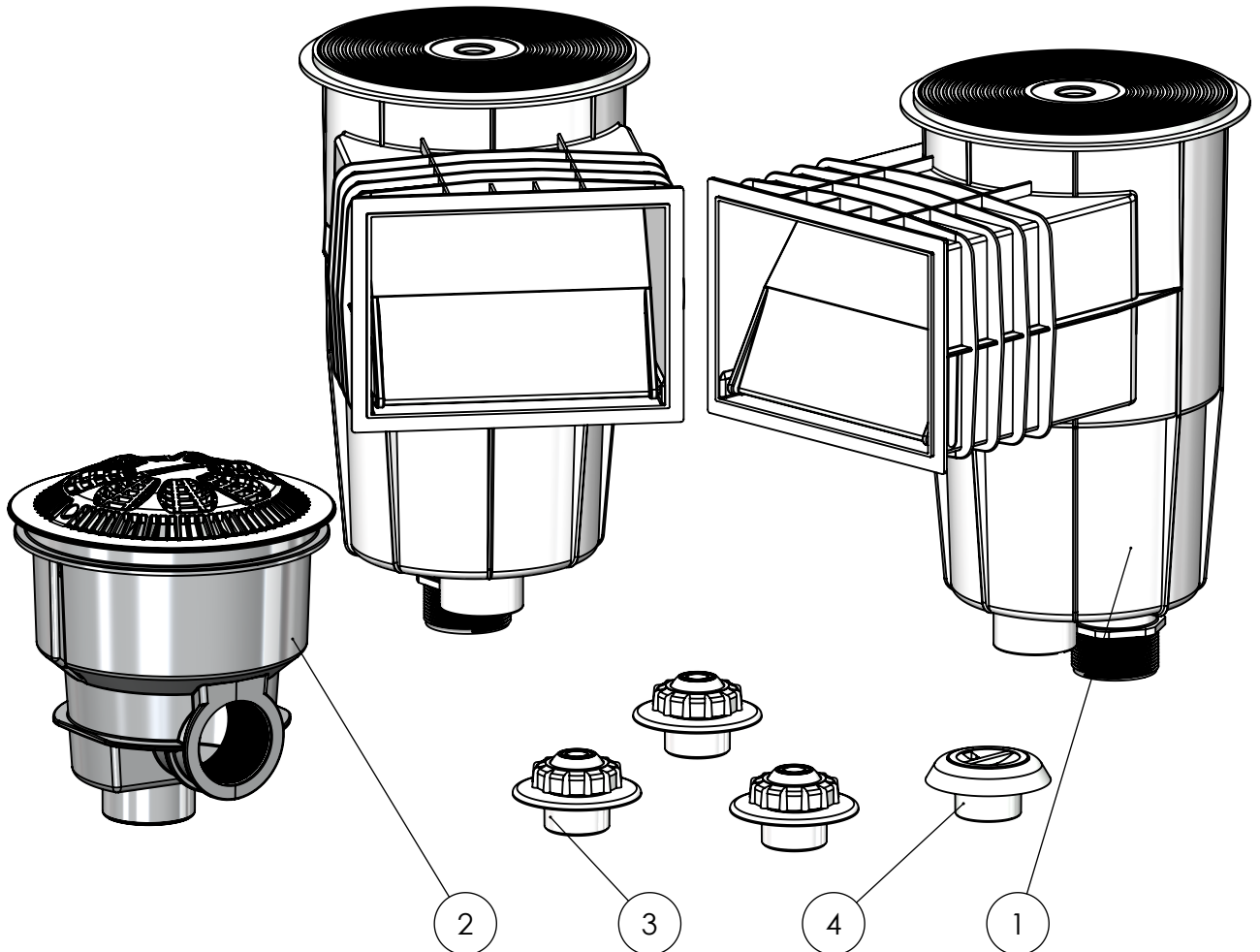


CODIGO / CODE: 74349
DESCRIPCION: -
DESCRIPTION: -



NUM.	CODIGO	DENOMINACION	DESCRIPTION	CANT.
1	00249	SKIMMER 15L PF BOCA STD TAPA CIRC.	15L. SKIMMER WITH STANDARD THROAT	2
2	56379	SUMIDERO NORMA PH REJILLA SEGURIDAD	MAIN DRAIN NORMA CONCRETE POOL	1
3	24413	BOQUILLA IMPULSION P.HORM. Ø50 PN-10	RETURN INLET FOR C.POOL TO GLUE INSIDE Ø50 PN10 PIPE	3
4	24415	BOQUILLA ASP. PISC. HORM. Ø50 PN10	CONCRETE SUCTION NOZZLE TO GLUE TO Ø50 PN10	1