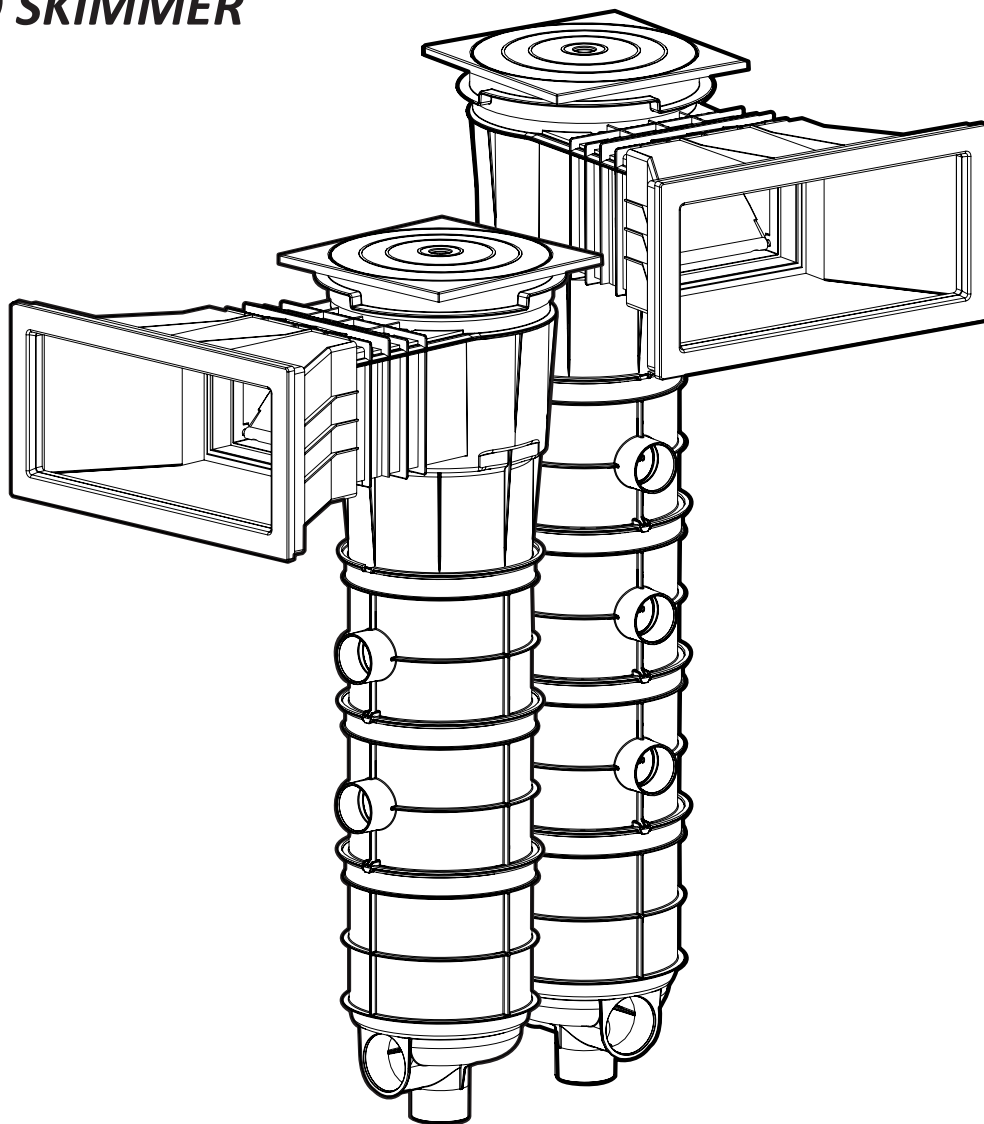


**FILTRANT SKIMMER
SKIMMER FILTRANT
SKIMMER FILTRANTE
SKIMMER FILTRANTI
FILTRANT SKIMMER
SKIMMER FILTRANTE
ΦΙΛΤΡΟ SKIMMER**



INSTALLATION AND MAINTENANCE MANUAL
MANUEL D'INSTALLATION ET D'ENTRETIEN
MANUAL DE INSTALACIÓN Y MANTENIMIENTO
MANUALE DI INSTALAZIONE E MANUTENZIONE
EINBAU-UND BETRIEBSANLEITUNG
MANUAL DE INSTRUÇÕES E MANUTENÇÃO
ΕΓΧΕΙΡΙΔΙΟ ΕΓΚΑΤΑΣΤΑΣΗΣ ΚΑΙ ΣΥΝΤΗΡΗΣΗΣ

ASTRALPOOL 



IMPORTANT: The instruction manual you are holding includes essential information on the safety measures to be implemented for installation and start-up. Therefore, the installer as well as the user must read the instructions before beginning installation and start-up. Keep this manual for future reference.

Please follow the instructions below to achieve optimum results from the skimmer:

	16 m ³ /h	20 m ³ /h
Concrete swimming pool	73158	73161
Prefabricated swimming pool / polyester / liner	73159	73162
Panel swimming pool	73160	73163

! IMPORTANT - SAFETY WARNING

- The skimmer can reach a maximum absorption of 20 m³/h.
- It is important that the swimming pool water level covers 3/4 of the skimmer mouth.
- The skimmer must be installed by specialized technical personnel.
- Do not add chlorine or bromine tablets to the skimmer basket.
- The product contains ABS components which could be damaged by chemical substances. Only use PVC adhesive. The manufacturer accepts no liability for the use of other products such as adhesive sealants, fillers, silicone cements, mastics, etc.

1. CHECK THE CONTENT OF THE PACKAGE

You will find the following accessories inside the package:

Codes 73158 / 73161

- 1 skimmer
- 2 cartridges
- Skimmer mouth cover
- Installation manual

Codes 73159* / 73160 / 73162* / 73163

- 1 skimmer
- 1 skimmer mouth
- 1 adhesive kit
- 2 cartridges
- Skimmer mouth cover
- Bag of 25mm screws (A)
- Bag of 32mm screws (B)*
- Installation manual

2. GENERAL CHARACTERISTICS

The skimmer's specific function is to clean dirt from the water surface. For this reason, it is advisable to carry out a preliminary study of the orientation of your swimming pool before construction and to orient the skimmer to the prevailing winds.

As a general rule, the skimmer should be placed across the width of the swimming pool and over the deepest area.

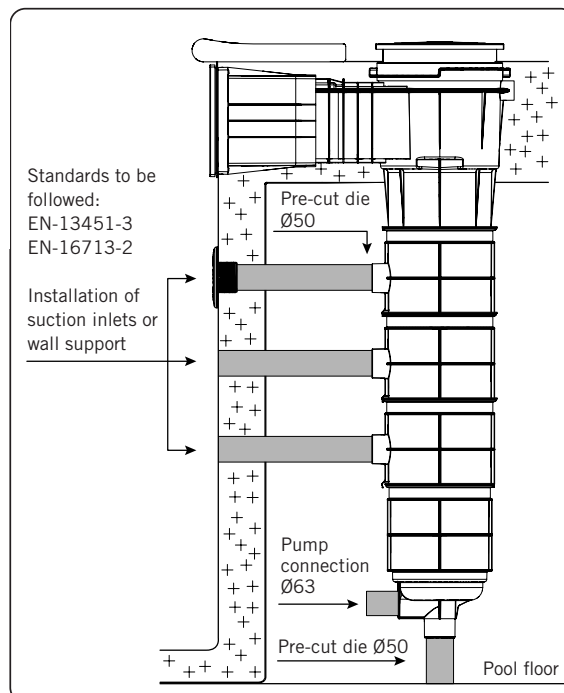
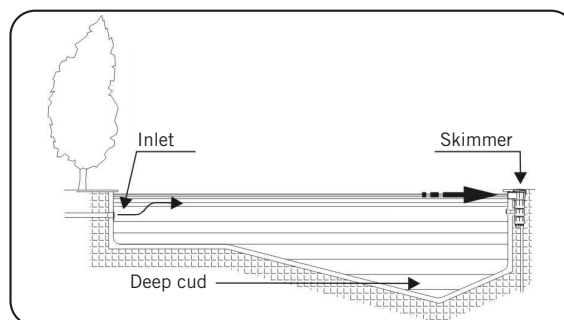
3. INSTALLATION AND ASSEMBLY

WARNING: please note that the skimmer can reach a maximum absorption of 20 m³/h.

CONCRETE SWIMMING POOL (73158 / 73161):

- Attach the skimmer to the swimming pool wall.
- If necessary, fix the skimmer base to the ground.
- The skimmer has side connections for fitting, if necessary, a suction nozzle and ensuring a constant flow rate of water to the pump. They can also be used to hang the skimmer on a wall.

! Make the necessary connections to the suction nozzles, following the swimming pool regulations in force in your country. The nozzles must be installed 2 meters apart and always glued in Ø50 mm tubes.



* Nozzles and pipes not included with the product

- Skimmer 73158 has 2 side connections, skimmer 73161 has 3 side connections. All the connections are covered but they are easy to open thanks to the perforation.

- The skimmer cover can be adjusted in height and pivoted, if necessary, to make it flush with the outside edge of the swimming pool.

PREFABRICATED POOL / POLYESTER / LINER (73159/73162):

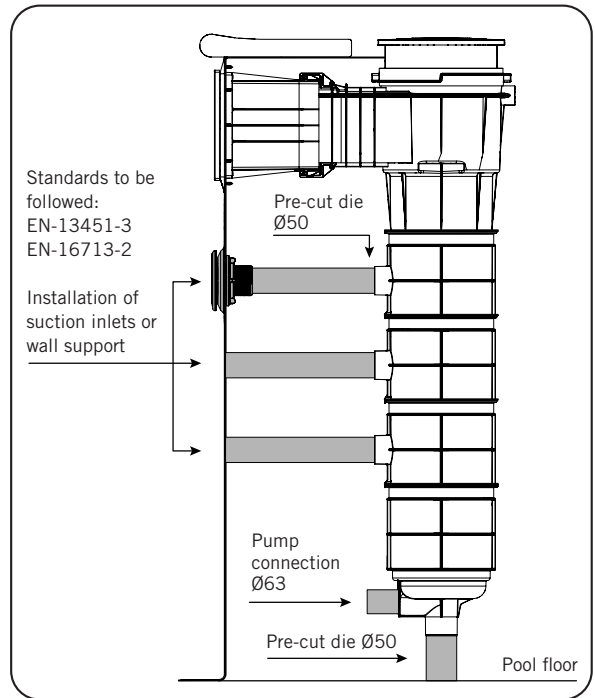
- The skimmer should be installed at the back of the swimming pool.

- A hole of 387x170 mm should be made in the pool beforehand. We recommend a distance of 25 mm between the top of the swimming pool and the top of the hole.

⚠ Put the flange in place and screw it in using the 18 DIN 7982 5.5x25mm (A) or 5.5x32mm (B) screws depending on the thickness of the pool panel. Check that the skimmer has not been punctured at the back of the screw housings.

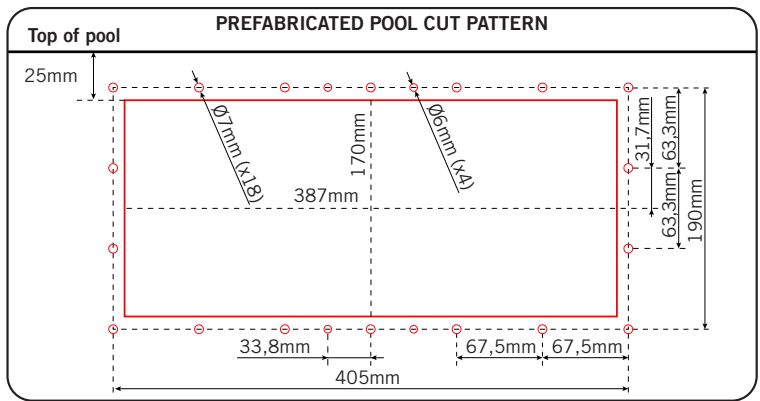
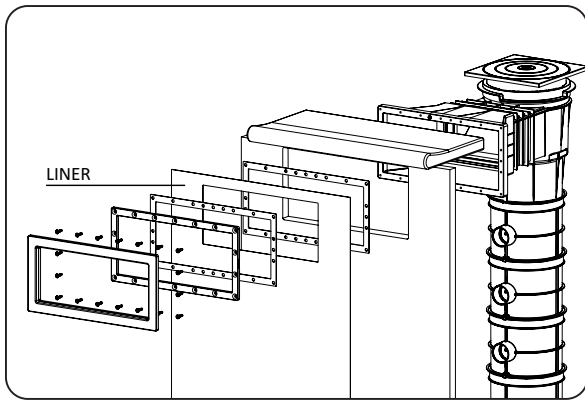
- If necessary, fix the skimmer base to the ground.
- The skimmer has side connections for fitting, if necessary, a suction nozzle and ensuring a constant flow rate of water to the pump. They can also be used to hang the skimmer on a wall.

⚠ Make the necessary connections to the suction nozzles, following the swimming pool regulations in force in your country. The nozzles must be installed 2 meters apart and always glued in Ø50 mm tubes.



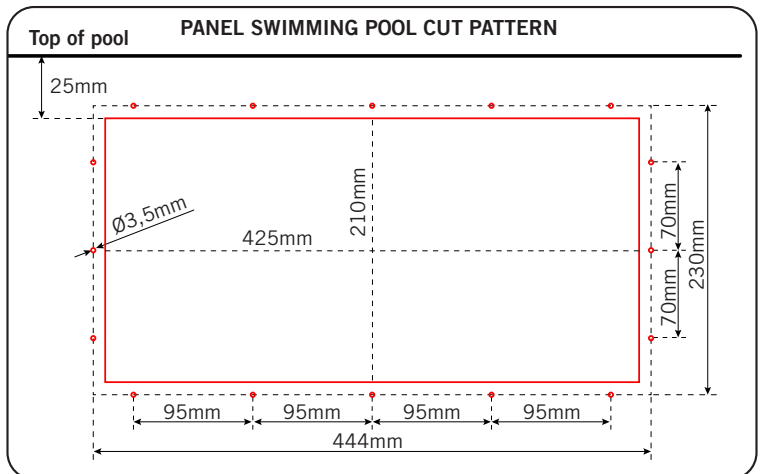
* Nozzles and pipes not included with the product

- Skimmer 73159 has 2 side connections, skimmer 73162 has 3 side connections. All the connections are covered but they are easy to open thanks to the perforation.



PANEL SWIMMING POOL (73160 / 73163):

- The panel should have a hole of 425x210 mm. We recommend a distance of 25 mm between the top of the swimming pool and the top of the hole.



- Fit the mouth to the swimming pool by inserting it inside the swimming pool tightening the 16 screws.
- First remove the flap, glue the mouth and skimmer body parts to the areas indicated in the diagram with the adhesive provided. The area must be clean and dry.
- If necessary, fix the skimmer base to the ground.
- Place the brackets as shown in the diagram. Do not handle the skimmer for 24 hours. After 24 hours, check that the adhesive has dried fully.

THE MANUFACTURER ACCEPTS NO LIABILITY FOR GLUING CARRIED OUT BY THE INSTALLER OR THE CUSTOMER.

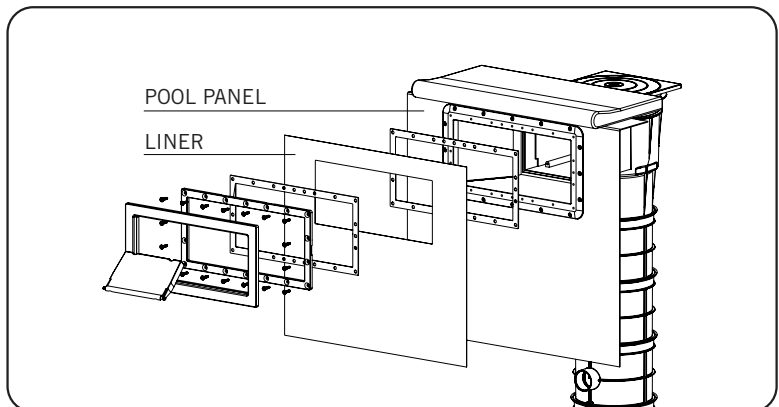
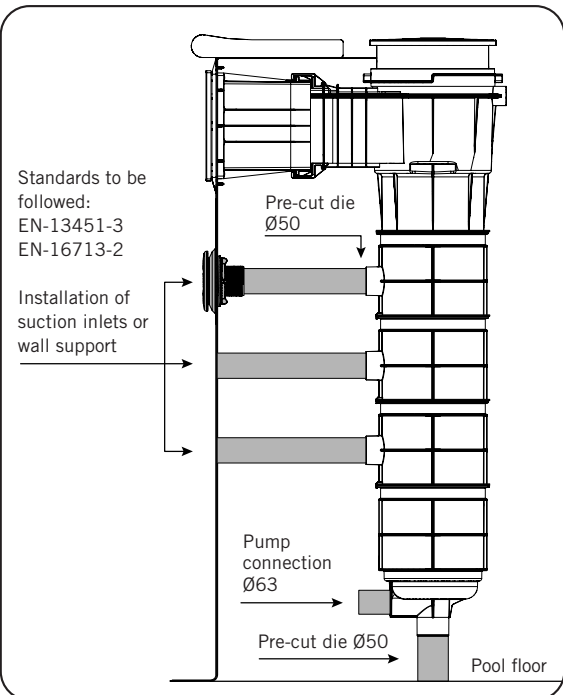
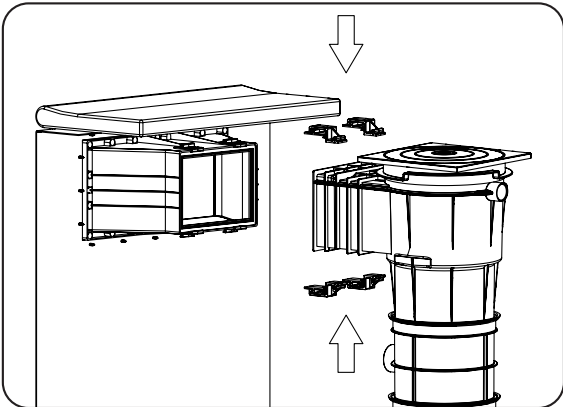
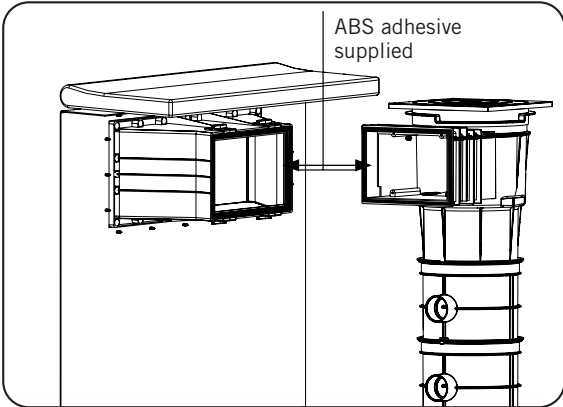
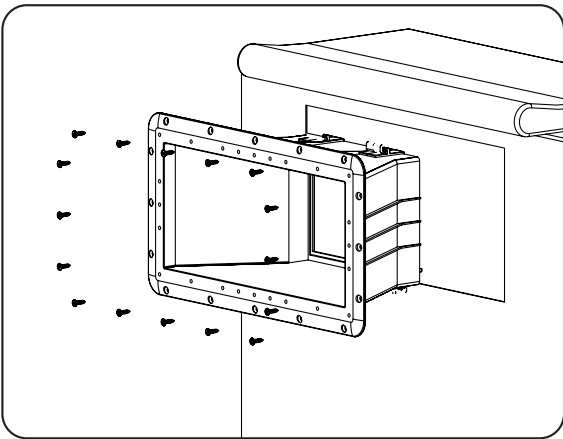
- Replace the flap removed previously.
- The skimmer has side connections for fitting, if necessary, a suction nozzle and ensuring a constant flow rate of water to the pump. They can also be used to hang the skimmer on a wall.

⚠ Make the necessary connections to the suction nozzles, following the swimming pool regulations in force in your country. The nozzles must be installed 2 meters apart and always glued in Ø50 mm tubes.

- Skimmer 73160 has 2 side connections, skimmer 73163 has 3 side connections. All the connections are covered but they are easy to open thanks to the perforation.
- Continue the assembly by inserting the different parts: glue a flat seal to the pool's inner wall; put the liner in place in the pool; glue the other flat seal.

⚠ Put the flange in place and screw it in using the 18 DIN 7982 5.5x25mm (A) screws.

- Click the faceplate in place.
- The skimmer cover can be adjusted in height and pivoted, if necessary, to make it flush with the outside edge of the swimming pool.
- During operation ensure that the water level is high enough to prevent air absorption. In the event the water level is too high, the skimmer is fitted with a water intake to evacuate excess water.



* Nozzles and pipes not included with the product

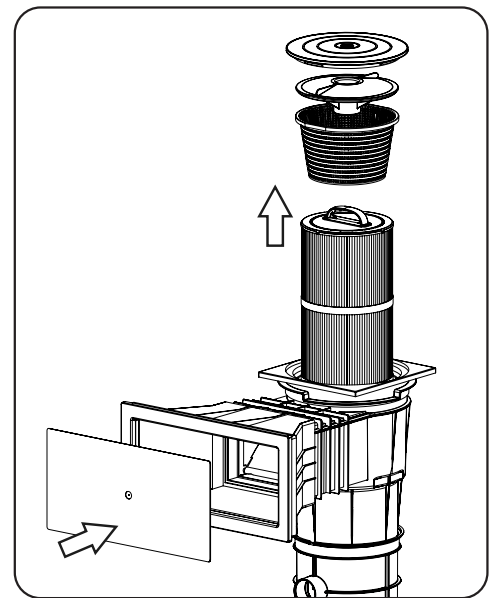
4. FILTER CARTRIDGE CLEANING

Remove the cartridge for cleaning

1. Open the skimmer cover and remove the basket.
2. Now perform the following steps quickly:
 - 2.1 Place the skimmer mouth cover until the water is drained from the body of the skimmer.
 - 2.2 Remove the cartridge by the handle.
 - 2.3 Insert the second cartridge provided.
 - 2.4 Replace the basket.
 - 2.5 Remove the skimmer cover to refill the body with water.

Cleaning the filter cartridge

- Cleaning is performed once a month on average, depending on the size of the pool and how often it is used.
- During periods of heavy use, cleaning at least once a week is recommended.
- Clean the cartridge filter with a garden hose with a nozzle, spraying at a 45° angle in an up-and-down motion, paying special attention to cleaning the surface between the folds of the cartridge.
- Do not use pressure hoses, brushes, or any other mechanical parts to remove dirt, as it might tear the filter paper.
- If dirt still remains after spraying the filter, we recommend the following: mix 20 liters of water in a container with a small amount of dishwashing liquid soap and soak the cartridge in the solution for at least two hours, then spray with a hose again.
- Replace the cartridge if it appears damaged.



⚠ Warning: Do not use flocculants or chemical cleaning treatments in powder form, as it may cause the filter to malfunction.

5. MOUTH COLOUR CHANGE KIT

- Kit 73166 allows you to change the color of the skimmer mouth area to match the color of your pool. You can choose from beige, grey or anthracite grey.
- The kit consists of a mouth cover, flap and trim.

6. POOL CLEANERS

- Skimmers can also be used as a connection for your swimming pool cleaner.
- To connect your cleaner to the skimmer, fit the basket cover and attach the cleaner hose connection to the hole in the middle of the cover. To ensure the pool cleaner works correctly when connected to the skimmer, the water inlet valve to the pump from the drain should first be adjusted.
- If the swimming pool has several skimmers, the other skimmers must be closed with the appropriate basket cover.

⚠ Warning: In liner swimming pools, complete closure of other skimmers and drains can cause the cleaner to stick to the liner.

Guarantee Certificate

1. GENERAL TERMS

- 1.1 In accordance with these provisions, the seller guarantees that the product corresponding to this guarantee is in perfect condition at the time of delivery.
- 1.2 The Guarantee Term for the Product is two (2) years from the time it is delivered to the purchaser.
- 1.3 In the event of any defect in the Product that is notified by the purchaser to the seller during the Guarantee Term, the seller will be obliged to repair or replace the Product, at his own cost and wherever he deems suitable, unless this is impossible or unreasonable.
- 1.4 If it is not possible to repair or replace the Product, the purchaser may ask for a proportional reduction in the price or, if the defect is sufficiently significant, the termination of the sales contract.
- 1.5 The replaced or repaired parts under this guarantee, will not extend the guarantee period of the original Product, but will have a separate guarantee.
- 1.6 In order for this guarantee to come into effect, the purchaser must provide proof of the date of purchase and delivery of the Product.
- 1.7 If, after six months from the delivery of the Product to the purchaser, he notifies a defect in the Product, the purchaser must provide proof of the origin and existence of the alleged defect.
- 1.8 This Guarantee Certificate is issued without prejudice to the rights corresponding to consumers under national regulations.

2. INDIVIDUAL TERMS

- 2.1 This guarantee covers the following products: SKIMMER FILTRANT.
- 2.2 For this guarantee to be effective, the purchaser must strictly follow the Manufacturer's instructions included in the documentation provided with the Product, in cases where it is applicable according to the range and model of the Product.
- 2.3 When a time schedule is specified for the replacement, maintenance or cleaning of certain parts or components of the Product, the guarantee will only be valid if this time schedule has been followed.

3. LIMITATIONS

- 3.1 This guarantee will only be applicable to sales made to consumers, understanding by "consumer", a person who purchases the Product for purposes not related to his professional activities.
- 3.2 The normal wear resulting from using the product is not guaranteed. With respect to expendable or consumable parts, components and/or materials, such as batteries, light bulbs, etc. the stipulations in the documentation provided with the Product, will apply.
- 3.3 The guarantee does not cover those cases when the Product; (I) has been handled incorrectly; (II) has been repaired, serviced or handled by non-authorized people or (III) has been repaired or serviced not using original parts.
- 3.4 In cases where the defect of the Product is a result of incorrect installation or start-up, this guarantee will only apply when said installation or start-up is included in the sales contract of the Product and has been conducted by the seller or under his responsibility.
- 3.5 Damage or faults of the filter owing to exposure to temperatures below than 0°C (32°F) or above 35°C (95°F).
- 3.6 Damage or faults of the filter caused by knocks or as a result of oversizing of the filtering system pumps.
- 3.7 Damage or malfunction of the cartridge due to water hammers or as a result of over-scaling the filtration system pumps, high pressure cleaning, cleaning with bleaches or other highly concentrated chemical liquids.



IMPORTANT: le manuel d'instructions que vous avez entre les mains contient des informations de première importance sur les mesures de sécurité à adopter au moment de l'installation et de la mise en service. Il est par conséquent indispensable que l'installateur et l'utilisateur lisent attentivement les instructions avant de commencer le montage et la mise en marche. Conservez ce manuel en vue de futures consultations sur le fonctionnement de cet appareil.

Pour obtenir un rendement optimal du skimmer, il convient de respecter les instructions indiquées ci-après:

	16 m ³ /h	20 m ³ /h
Piscine béton	73158	73161
Piscine préfabriquée / polyester / liner	73159	73162
Piscine panneaux	73160	73163

! IMPORTANT - CONSIGNES DE SÉCURITÉ

- L'absorption maximum du skimmer peut atteindre 20 m³/h.
- Il est important que le niveau de l'eau de la piscine recouvre les 3/4 de la bouche du skimmer.
- Le skimmer doit être installé par un professionnel.
- Ne pas placer de pastilles de chlore ou de brome dans le panier du skimmer.
- Le produit fourni possède des composants en plastique ABS et les produits chimiques peuvent l'endommager. Pour le collage, n'utiliser que la colle exclusive PVC, le fabricant ne sera en aucun cas tenu responsable de l'utilisation de tout autre produit tel que des adhésifs enduits, des mastics, de la silicone, etc.

1. VÉRIFIEZ LE CONTENU DE L'EMBALLAGE

À l'intérieur de la boîte, vous trouverez les accessoires suivants:

Codes 73158 / 73161

- 1 skimmer
- 2 cartouches
- Capot bouche skimmer
- Manuel d'installation

Codes 73159* / 73160 / 73162* / 73163

- 1 skimmer
- 1 bouche de skimmer
- 1 kit de colle
- 2 cartouches
- Capot bouche skimmer
- Sachet de vis 25mm (A)
- Sachet de vis 32mm (B)*
- Manuel d'installation

2. CARACTÉRISTIQUES GÉNÉRALES

La fonction spécifique des skimmers est de nettoyer la saleté de surface de l'eau. C'est pourquoi il est conseillé de faire une étude préalable de l'orientation de la piscine avant sa construction, et d'orienter le skimmer en direction des vents prédominants.

En règle générale, le skimmer sera placé dans la largeur de la piscine, et dans la partie supérieure de la partie la plus profonde.

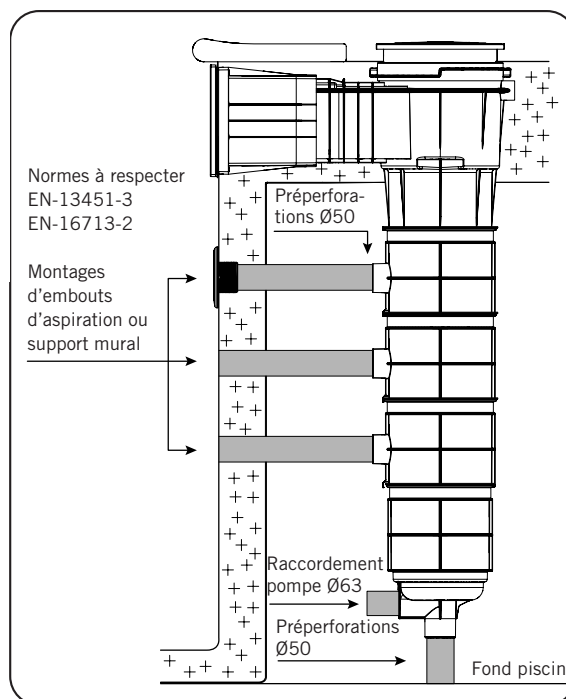
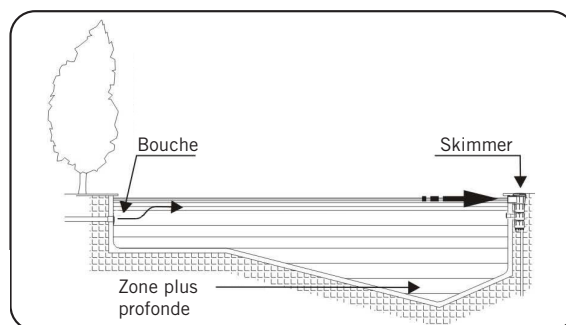
3. INSTALLATION ET MONTAGE

ATTENTION: être conscient que le débit d'aspiration maximum du skimmer peut atteindre jusqu'à 20 m³/h.

PISCINE EN BÉTON (73158 / 73161):

- Encastrer le skimmer dans le mur de la piscine.
- Si nécessaire, fixer la base du skimmer au sol.
- Le skimmer dispose de branchements latéraux afin d'installer, si nécessaire, une bouche d'aspiration pour garantir un flux d'eau constant vers la pompe. Ils peuvent également servir de support de paroi pour le skimmer.

! Réaliser les raccordements des bouches d'aspiration nécessaires, en respectant la réglementation relative aux piscines en vigueur dans le pays, les bouches doivent être installées à une distance entre elles de 2 mètres, et toujours avec un encollage sur tubes de Ø50 mm.



* Bouches et tuyaux non inclus dans le produit

- Le skimmer 73158 possède 2 branchements latéraux, le skimmer 73161 en possède 3. Tous les branchements sont bouchés mais peuvent être facilement ouverts, grâce à la pré-découpe.

- Il est possible de régler le capot du skimmer en hauteur et de le faire pivoter, si nécessaire, pour le mettre au niveau des plages.

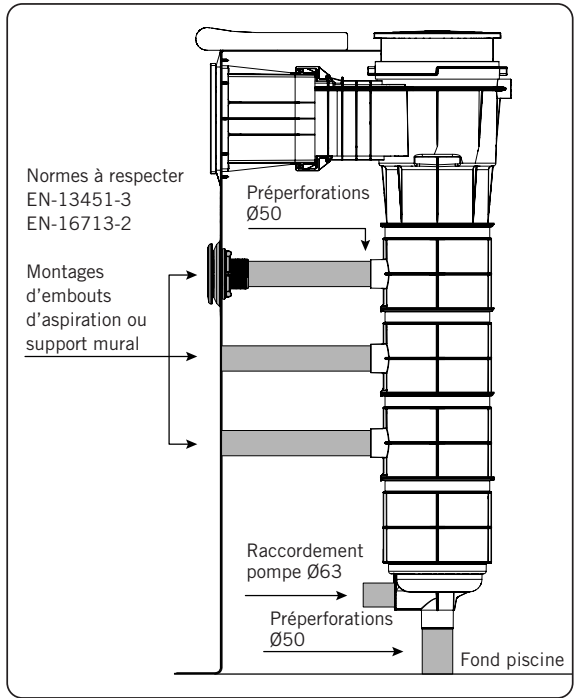
PISCINE PRÉFABRIQUÉE / POLYESTER / LINER (73159 / 73162):

- Le skimmer doit être installé par l'arrière de la piscine
- La piscine devra disposer préalablement d'un orifice de 387x170 mm. Distance recommandée de 25 mm entre la partie supérieure de la piscine et la partie supérieure de l'orifice.

⚠ Placer la bride et la fixer à l'aide des 18 vis DIN 7982 5,5x25mm (A) ou 5,5x32mm (B) selon l'épaisseur du panneau de la piscine. Veiller à ne pas endommager le skimmer au niveau de la partie arrière des logements des vis.

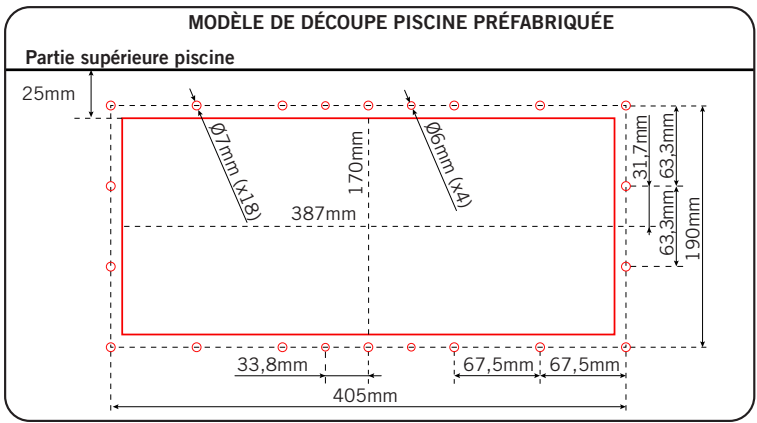
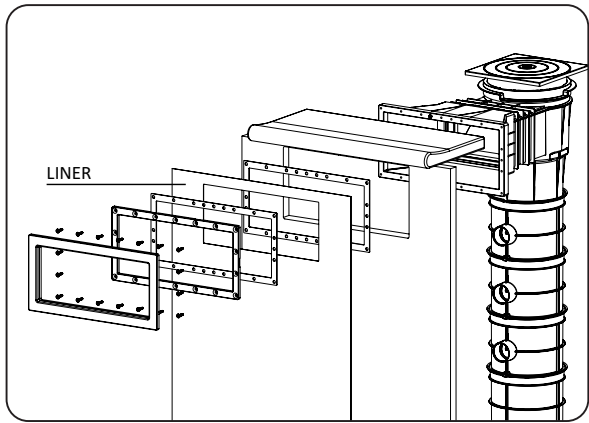
- Si nécessaire, fixer la base du skimmer au sol.
- Le skimmer dispose de branchements latéraux afin d'installer, si nécessaire, une bouche d'aspiration pour garantir un flux d'eau constant vers la pompe. Ils peuvent également servir de support de paroi pour le skimmer.

⚠ Réaliser les raccordements des bouches d'aspiration nécessaires, en respectant la réglementation relative aux piscines en vigueur dans le pays, les bouches doivent être installées à une distance entre elles de 2 mètres, et toujours avec encollage sur tubes de Ø50 mm.



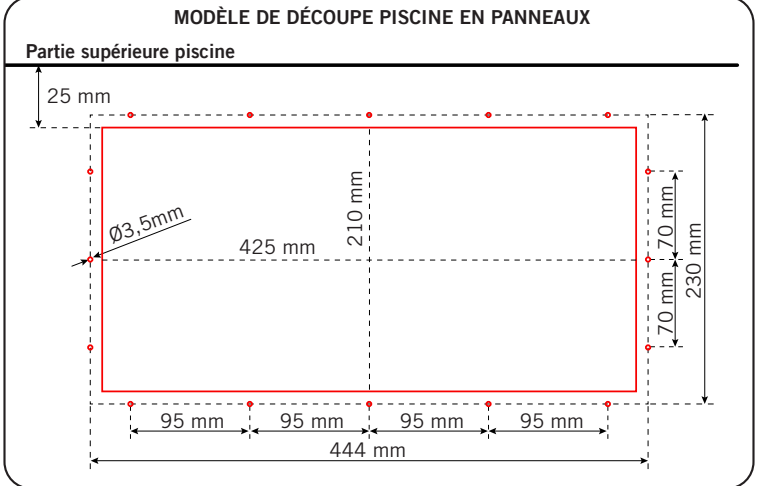
* Bouches et tuyaux non inclus dans le produit

- Le skimmer 73159 possède 2 branchements latéraux, le skimmer 73162 en possède 3. Tous les branchements sont bouchés mais peuvent être facilement ouverts, grâce à la pré-découpe.



PISCINE EN PANNEAUX (73160 / 73163):

- Le panneau doit disposer d'un orifice de 425x210 mm, il est conseillé de laisser une distance de 25 mm entre la partie supérieure de la piscine et la partie supérieure de l'orifice.



- Emboîter la bouche dans la piscine en l'introduisant par la partie intérieure de la piscine, et en vissant les 16 vis.

- Ôter préalablement le volet, coller les pièces de la bouche et du corps du skimmer, dans la zone indiquée sur le schéma, avec la colle fournie, cette zone doit être propre et sèche.

- Si nécessaire, fixer la base du skimmer au sol.

- Mettre les agrafes comme indiqué sur le schéma. Laisser passer 24h sans manipuler le skimmer. Après les 24h. Vérifier que la colle est bien sèche.

LE FABRICANT NE SERA PAS TENU RESPONSABLE DE L'ENCOLLAGE RÉALISÉ PAR L'INSTALLATEUR OU LE CLIENT.

- Replacer le volet que vous aviez retiré préalablement.

- Le skimmer dispose de branchements latéraux afin d'installer, si nécessaire, une bouche d'aspiration pour garantir un flux d'eau constant vers la pompe. Ils peuvent également servir de support de paroi pour le skimmer.

⚠ Réaliser les raccordements des bouches d'aspiration nécessaires, en respectant la réglementation relative aux piscines en vigueur dans le pays, les bouches doivent être installées à une distance entre elles de 2 mètres, et toujours avec encollage sur tubes de Ø50 mm.

- Le skimmer 73160 possède 2 branchements latéraux, le skimmer 73163 en possède 3. Tous les branchements sont bouchés mais peuvent être facilement ouverts, grâce à la pré-découpe.

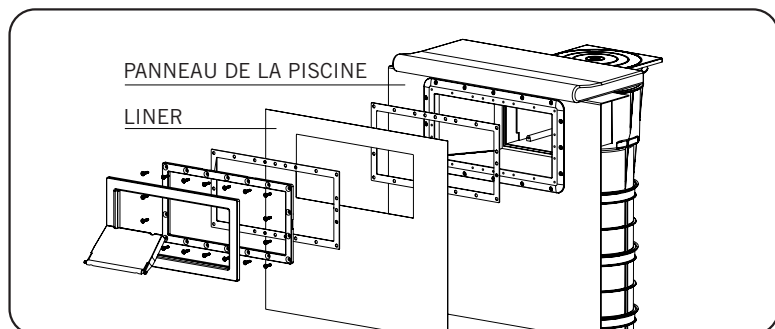
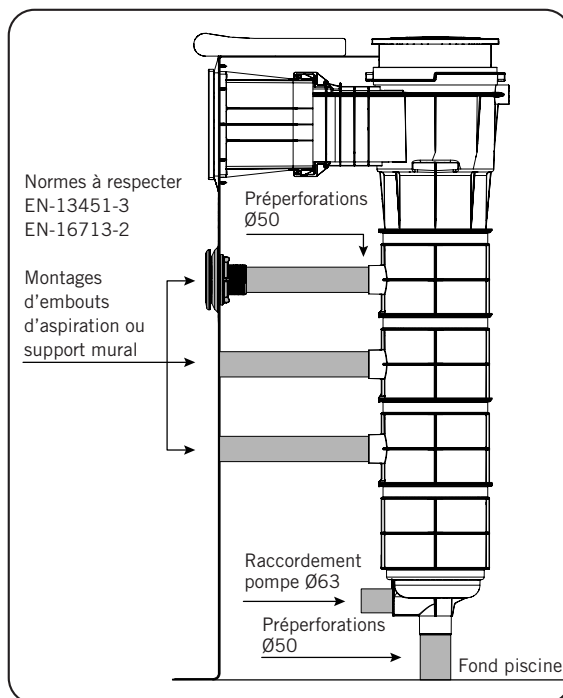
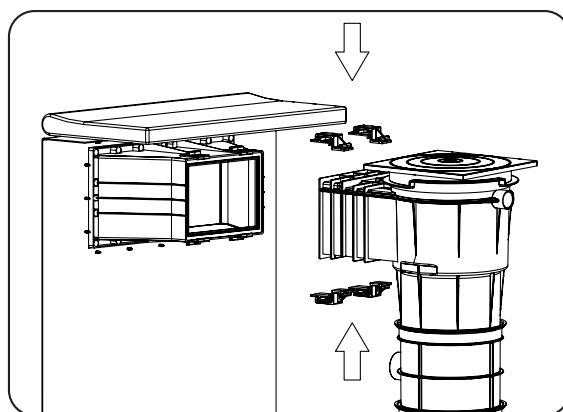
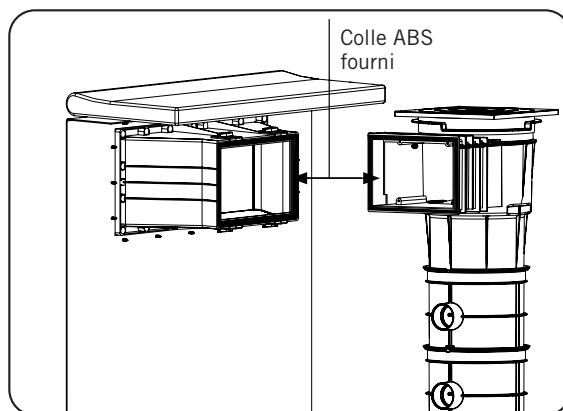
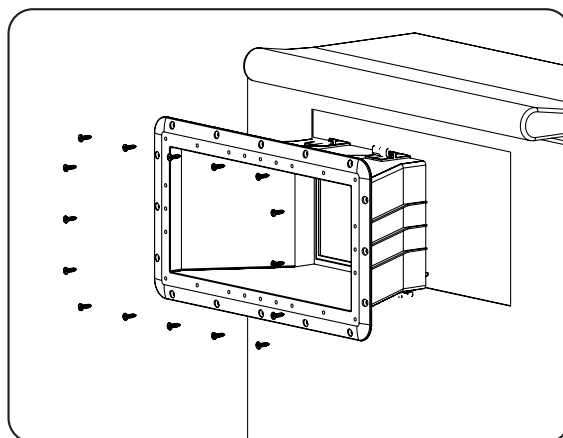
- Continuer l'assemblage en insérant les différentes pièces : coller un joint plat sur la paroi interne de la piscine, placer le liner de la piscine, coller l'autre joint plat.

⚠ Placer la bride et la fixer à l'aide des 18 vis DIN 7982 5,5x25mm (A).

- Placer et emboîter le cache.

- Il est possible de régler le capot du skimmer en hauteur et de le faire pivoter, si nécessaire, pour le mettre au niveau du sol extérieur à la piscine.

- Pendant le fonctionnement, vous devez vous assurer que le niveau de l'eau soit suffisamment élevé, pour éviter l'absorption d'air. Si le niveau d'eau est excessif, le skimmer possède un trop plein qui peut évacuer l'excédent d'eau.



* Bouches et tuyaux non inclus dans le produit

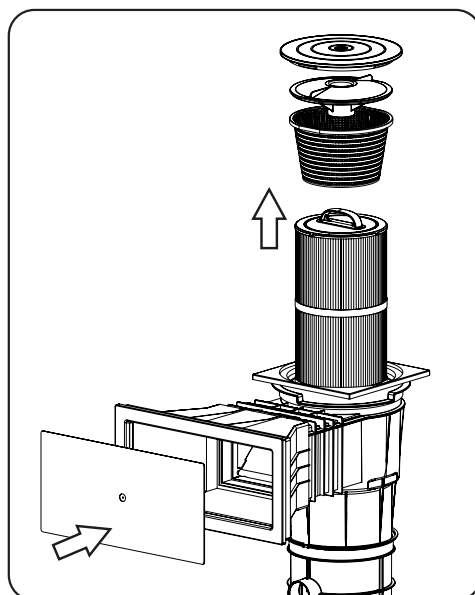
4. NETTOYAGE DE LA CARTOUCHE DE FILTRATION

Avant toute manipulation veiller à bien arrêter la pompe de filtration

1. Ouvrir le couvercle du skimmer et extraire le panier.
2. Maintenant, et en vous dépêchant, réaliser les manipulations suivantes:
 - 2.1 Retourner l'accessoire capot bouche skimmer afin d'envider l'eau du corps.
 - 2.2 Extraire la cartouche avec l'anse.
 - 2.3 Introduire la deuxième cartouche fournie.
 - 2.4 Replacer le panier.
 - 2.5 Enlever le capot bouche du skimmer pour remplir d'eau le corps à nouveau.

Nettoyage de la cartouche de filtration

- L'entretien est réalisé en moyenne une fois par mois, en fonction de la fréquence d'utilisation de la piscine et de sa taille.
- Pendant les périodes d'utilisation fréquente, il est recommandé d'effectuer un lavage toutes les semaines.
- Laver le filtre à cartouche avec un tuyau d'arrosage à pistolet, en l'inclinant à 45°, toujours du haut vers le bas. Veiller à bien laver les surfaces situées entre les plis de la cartouche.
- Ne pas utiliser de nettoyeurs haute pression, de brosses ni aucun autre élément mécanique pour éliminer les restes de saleté, le papier filtrant risque de se déchirer.
- Si après avoir effectué les instructions précédentes, il reste de la saleté, effectuer l'opération suivante: dans un récipient, mélanger 20L d'eau et un petit verre de produit nettoyant (liquide vaisselle), y laisser tremper la cartouche au moins deux heures, puis nettoyer à nouveau cette dernière au tuyau d'arrosage.
- En cas de détérioration de la cartouche, procéder à son remplacement.



⚠ Avertissement: Ne pas utiliser de floculants, ni effectuer de traitements nettoyants à l'aide de produits chimiques en poudre, car le filtre pourrait être endommagé.

5. KIT SUR-MEURTRIERE EASYCOLOR

- Le Kit 73166 permet de modifier la couleur de la meurtrière du skimmer, pour adapter le skimmer à la couleur de la piscine, les couleurs possibles sont: beige gris ou gris anthracite.
- Le kit est composé d'une sur-meurtrière, un volet et un enjoliveur.

6. NETTOYEUR DE FOND

- Les skimmers peuvent être utilisés comme élément de raccordement pour un nettoyeur de fond.
- Pour brancher le robot nettoyeur de fond au skimmer, il faut placer le capot du panier et l'embout du tuyau du nettoyeur de fond dans l'orifice central du capot. Pour un bon fonctionnement du nettoyeur de fond, quand il est raccordé au skimmer, il conviendra de régler au préalable la vanne qui provient de la bonde de fond.
- Si la piscine possède plusieurs skimmers, on fermera les autres avec le capot de panier correspondant.

⚠ Avertissement: Dans les piscines à liner, la fermeture complète des autres skimmers et des bondes de fond peut provoquer un blocage et un effet ventouse du nettoyeur de fond sur le liner.

Certificat de Garantie

1. ASPECTS GÉNÉRAUX

- 1.1 Conformément à ces dispositions, le vendeur garantit que le produit correspondant à cette garantie ne présente aucun défaut de conformité à la date de sa livraison.
- 1.2 La Période de Garantie pour le Produit est de deux (2) ans et elle sera calculée à partir de la date de sa remise à l'acheteur.
- 1.3 S'il se produisait un défaut de conformité du Produit et si l'acheteur le notifiait au vendeur pendant la Période de Garantie, le vendeur devrait réparer ou remplacer le Produit à ses propres frais au lieu qu'il jugerait opportun, à moins que cela soit impossible ou démesuré.
- 1.4 Lorsque le Produit ne pourra être ni réparé ni remplacé, l'acheteur pourra demander une réduction proportionnelle du prix ou, si le défaut de conformité est suffisamment important, la résiliation du contrat de vente.
- 1.5 Les pièces remplacées ou réparées en vertu de cette garantie ne prolongeront pas le délai de la garantie du Produit original, celles-ci étant cependant couvertes par leur propre garantie.
- 1.6 En vue de l'effectivité de la présente garantie, l'acheteur devra justifier la date d'acquisition et de livraison du Produit.
- 1.7 Quand plus de six mois se seront écoulés depuis la remise du Produit à l'acheteur et que ce dernier alléguera un défaut de conformité de ce Produit, l'acheteur devra justifier l'origine et l'existence du défaut allégué.
- 1.8 Le présent Certificat de Garantie ne limite pas, ni préjuge les droits qui correspondent aux consommateurs en vertu des normes nationales de nature impérative.

2. CONDITIONS PARTICULIÈRES

- 2.1 La présente garantie couvre les produits et les familles des produits suivants: SKIMMER FILTRANT.
- 2.2 Pour l'efficacité de cette garantie, l'acheteur devra suivre rigoureusement les indications du Fabricant figurant dans la documentation qui est fournie avec le Produit, quand celle-ci sera applicable selon la gamme et le modèle du Produit.
- 2.3 Quand un calendrier est spécifié pour le remplacement, la maintenance ou le nettoyage de certaines pièces ou de certains composants du Produit, la garantie sera valable uniquement lorsque ledit calendrier aura été correctement respecté.

3. LIMITATIONS

- 3.1 La présente garantie ne sera d'application que pour les ventes réalisées aux consommateurs, considérant comme "consommateur" toute personne qui achète le Produit à des fins n'étant pas du domaine de son activité professionnelle.
- 3.2 Aucune garantie n'est accordée pour ce qui a trait à l'usure normale due à l'utilisation du Produit. En ce qui concerne les pièces, les composants et/ou matériels fongibles ou consommables comme le sable, les anneaux, etc., il faudra respecter, le cas échéant, ce qui est stipulé dans la documentation qui est fournie avec le Produit.
- 3.3 La garantie ne couvre pas les cas où le Produit : (i) a fait l'objet d'un traitement incorrect; (ii) a été inspecté, réparé, entretenu ou manipulé par une personne non autorisée ; (iii) a été réparé ou entretenu avec des pièces qui ne sont pas d'origine ou (iv) a été installé ou mis en marche d'une façon incorrecte.
- 3.4 Quand le défaut de conformité du Produit sera la conséquence d'une installation ou d'une mise en marche incorrecte, la présente garantie sera valable uniquement lorsque la dite installation ou mise en marche sera comprise dans le contrat d'achat et de vente du Produit et aura été réalisée par le vendeur ou sous sa responsabilité.
- 3.5 Dommages ou pannes du filtre à cause de l'exposition à des températures inférieures à 0°C (32° F) ou supérieures à 35°C (95° F).
- 3.6 Dommages ou pannes du filtre occasionnés par des coups de bélier ou par suite d'un surdimensionnement des pompes du système de filtration.
- 3.7 Dommages ou dysfonctionnements de la cartouche découlant de coups de bélier ou d'un surdimensionnement des pompes du système de filtration, d'un nettoyage à haute pression, d'un nettoyage à la javel ou à l'aide d'autres produits chimiques ultra concentrés.



IMPORTANTE: El manual de instrucciones que usted tiene en sus manos, contiene información fundamental acerca de las medidas de seguridad a adoptar a la hora de la instalación y la puesta en servicio. Por ello, es imprescindible que tanto el instalador como el usuario lean las instrucciones antes de pasar al montaje y la puesta en marcha. Conserve este manual para futuras consultas acerca del funcionamiento de este aparato.

Para conseguir un óptimo rendimiento del skimmer es conveniente observar las instrucciones que se indican a continuación:

	16 m ³ /h	20 m ³ /h
Piscina hormigón	73158	73161
Piscina prefabricada / poliéster / liner	73159	73162
Piscina paneles	73160	73163

! IMPORTANTE - ADVERTENCIAS DE SEGURIDAD

- El caudal máximo del skimmer puede llegar hasta 20 m³/h.
- Es importante que el nivel del agua de la piscina cubra 3/4 partes de la boca del skimmer.
- El skimmer debe ser instalado por personal técnico especializado.
- No colocar pastillas de cloro o bromo en la cesta del skimmer.
- El producto suministrado tiene componentes de plástico ABS y los productos químicos pueden dañarlo. Para encoladuras, utilizar solamente cola exclusiva de PVC, el fabricante en ningún caso se responsabiliza de la utilización de cualquier otro producto como adhesivos selladores, masillas, siliconas, etc...

1. COMPRUEBE EL CONTENIDO DEL EMBALAJE

En el interior de la caja encontrará los siguientes accesorios:

Códigos 73158 / 73161

- 1 skimmer
- 2 cartuchos
- Tapa boca skimmer
- Manual de instalación

Códigos 73159* / 73160 / 73162* / 73163

- 1 skimmer
- 1 boca de skimmer
- 1 kit de encoladura
- 2 cartuchos
- Tapa boca skimmer
- Bolsa tornillos 25mm (A)
- Bolsa tornillos 32mm (B)*
- Manual de instalación

2. CARACTERÍSTICAS GENERALES

La función específica de los skimmers, es limpiar la suciedad de la superficie del agua. Por este motivo, es aconsejable hacer un estudio previo de la orientación de la piscina antes de su construcción, orientar el skimmer a los vientos predominantes.

Por regla general, el skimmer se colocará a lo ancho de la piscina y en la parte superior de la zona más profunda.

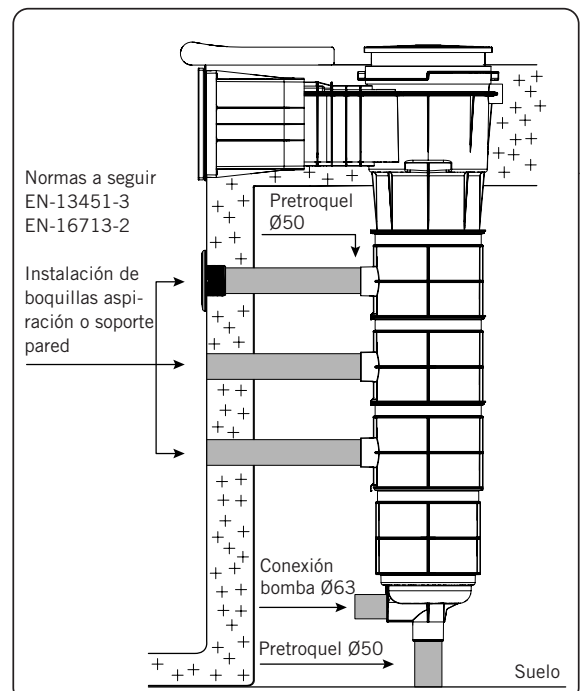
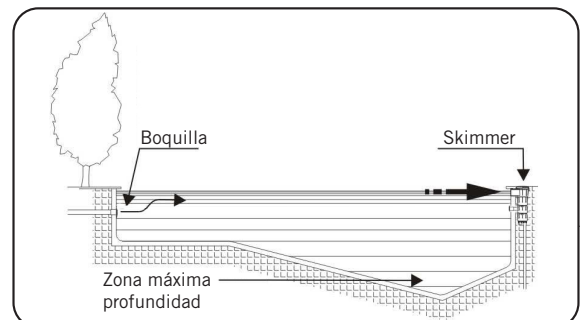
3. INSTALACIÓN Y MONTAJE

ATENCIÓN: tener en cuenta que la absorción máxima del skimmer puede llegar hasta 20 m³/h.

PISCINA DE HORMIGÓN (73158 / 73161):

- Encastar el skimmer a la pared de la piscina.
- En caso que sea necesario, fijar base del skimmer al suelo.
- El skimmer dispone de conexiones laterales, para en caso necesario, instalar boquilla de aspiración y asegurar el flujo constante de agua hacia la bomba. También se pueden utilizar como apoyo del skimmer a la pared.

! Realizar las conexiones de las boquillas de aspiración necesarias, siguiendo la normativa de piscinas vigente en el país, las boquillas deben estar instaladas a una distancia entre ellas de 2 metros, y siempre con encoladuras en tubos de Ø50 mm.



* Boquillas y tuberías no incluidas en el producto

- El skimmer 73158 tiene 2 conexiones laterales, el skimmer 73161 tiene 3 conexiones laterales. Todas las conexiones están tapadas, pero son de fácil abertura, gracias un pretoquel.

- La tapa del skimmer se puede regular en altura y pivotar, si es necesario, para enrasarla con el suelo exterior de la piscina.

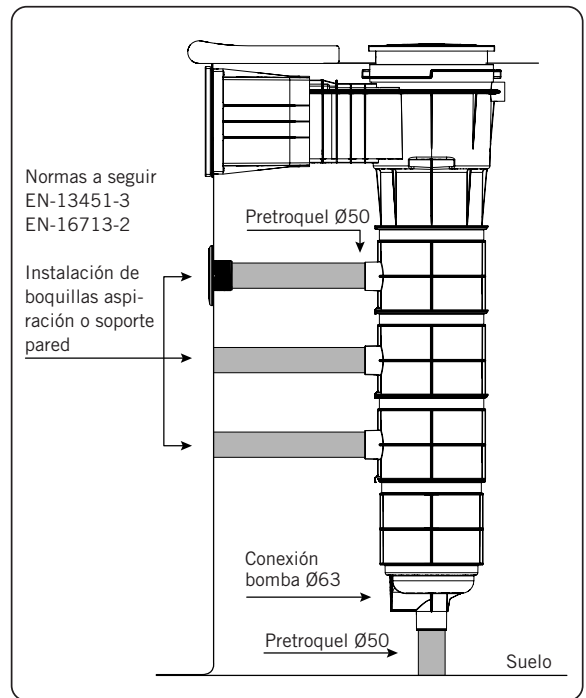
PISCINA PREFABRICADA / POLIÉSTER / LINER (73159 / 73162):

- El skimmer se debe instalar desde la parte posterior de la piscina
- Previamente la piscina debe tener un agujero de 387x170mm, se recomienda una distancia de 25 mm entre la parte superior de la piscina i la parte superior del agujero.

⚠ Poner la brida y atornillar-la con los 18 tornillos DIN 7982 5,5x25mm (A) o 5,5x32mm (B) segun grosor del panel de la piscina. Comprobar de no reventar el skimmer por la parte trasera de los alojamientos de los tornillos.

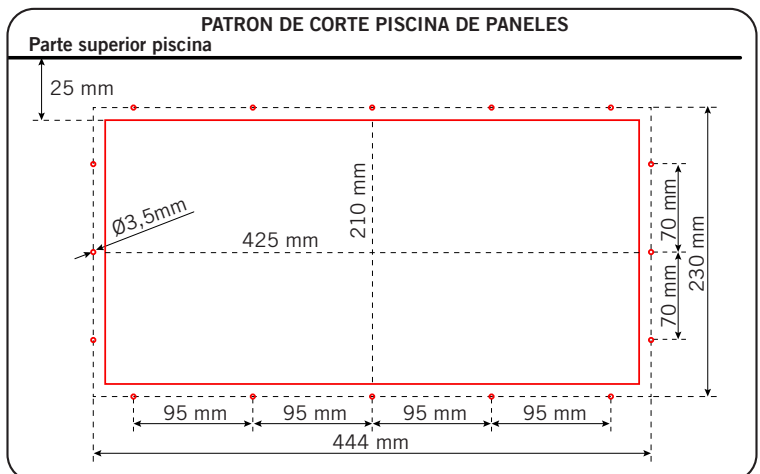
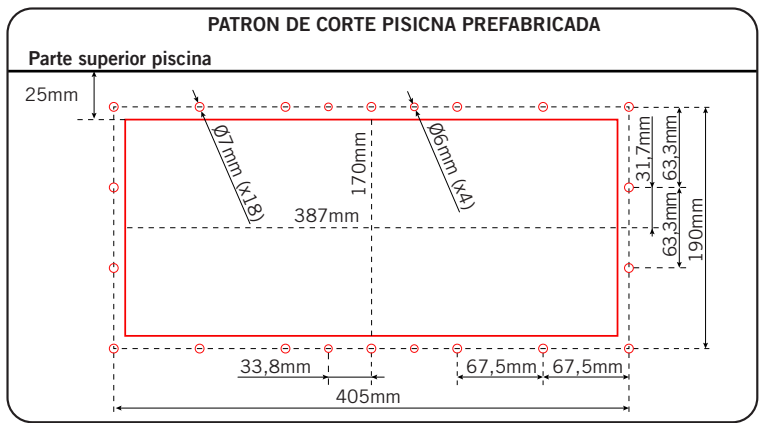
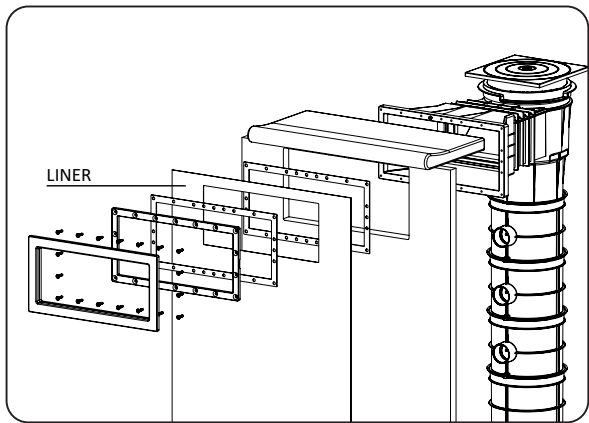
- En caso que sea necesario, fijar base del skimmer al suelo.
- El skimmer dispone de conexiones laterales, para en caso necesario, instalar boquilla de aspiración y asegurar el flujo constante de agua hacia la bomba. También se pueden utilizar como apoyo del skimmer a la pared.

⚠ Realizar las conexiones de las boquillas de aspiración necesarias, siguiendo la normativa de piscinas vigente en el país, las boquillas deben estar instaladas a una distancia entre ellas de 2 metros, y siempre con encoladuras en tubos de Ø50 mm.



* Boquillas y tuberías no incluidas en el producto

- El skimmer 73159 tiene 2 conexiones laterales, el skimmer 73162 tiene 3 conexiones laterales. Todas las conexiones están tapadas, pero son de fácil abertura, gracias un pretoquel.



PISCINA DE PANELES (73160 / 73163):

- El panel debe tener un agujero de 425x210 mm. se recomienda una distancia de 25 mm. entre la parte superior de la piscina i la parte superior del agujero.

- Encajar la boca a la piscina introduciéndola por la parte interior de la piscina, y atornillar los 16 tornillos.
- Quitar previamente la compuerta, encolar las piezas boca y cuerpo skimmer, por la zona indicada en el dibujo, con el adhesivo suministrado, esta zona debe estar limpia y seca.
- En caso que sea necesario, fijar base del skimmer al suelo.
- Poner las grapas como se indica en el dibujo. Dejar pasar 24h sin hacer ninguna manipulación al skimmer. Al pasar las 24h. Comprobar que el adhesivo esté bien seco.

EL FABRICANTE NO SE RESPONSABILIZA DE LA ENCOLADURA REALIZADA POR EL INSTALADOR O EL CLIENTE.

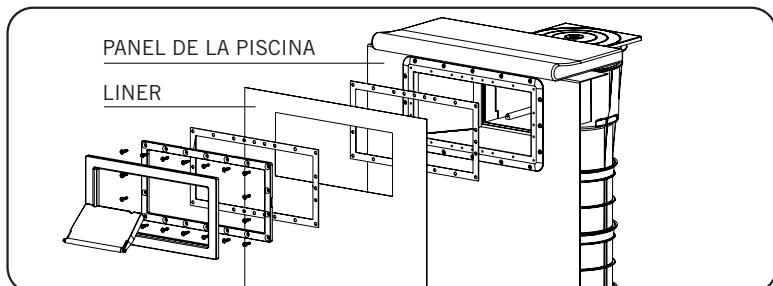
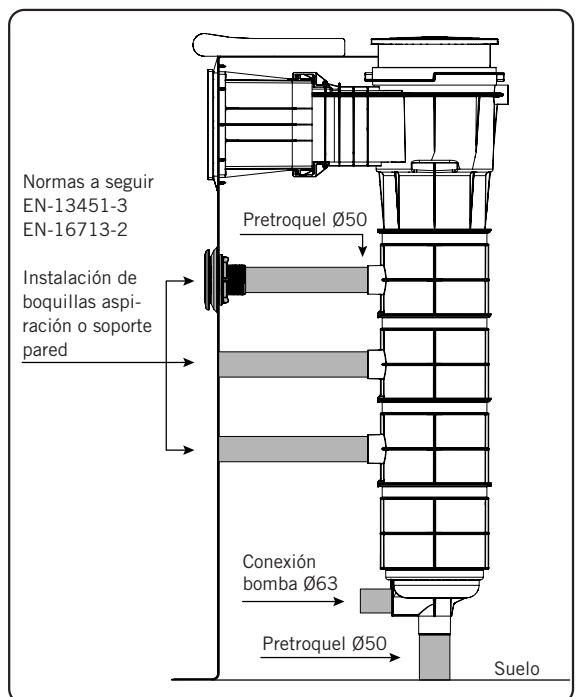
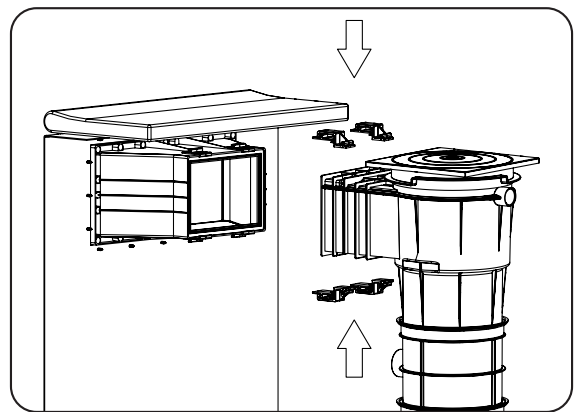
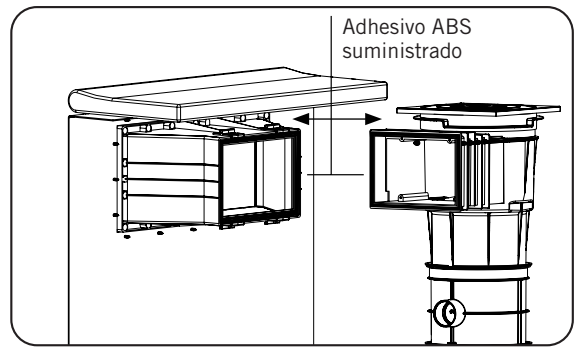
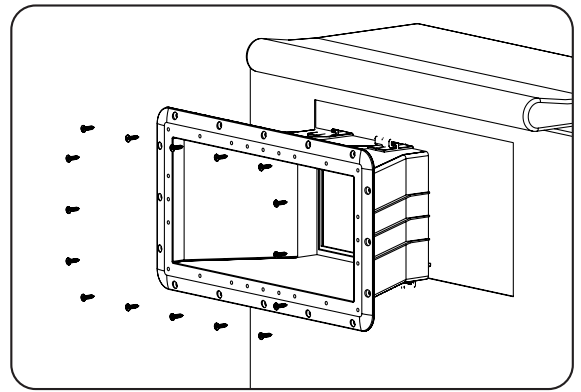
- Colocar la compuerta, que previamente había quitado.
- El skimmer dispone de conexiones laterales, para en caso necesario, instalar boquilla de aspiración y asegurar el flujo constante de agua hacia la bomba. También se pueden utilizar como apoyo del skimmer a la pared.

⚠ Realizar las conexiones de las boquillas de aspiración necesarias, siguiendo la normativa de piscinas vigente en el país, las boquillas deben estar instaladas a una distancia entre ellas de 2 metros, y siempre con encoladuras en tubos de Ø50 mm.

- El skimmer 73160 tiene 2 conexiones laterales, el skimmer 73163 tiene 3 conexiones laterales. Todas las conexiones están tapadas, pero son de fácil abertura, gracias un pretroquel.
- Seguir el montaje insertando las diferentes piezas: Pegar una junta plana a la pared interior de la piscina; Colocar el Liner a la piscina; Pegar la otra junta plana.

⚠ Poner la brida y atornillar-la con los 18 tornillos DIN 7982 5,5x25mm (A).

- Colocar y clicar el embellecedor.
- La tapa del skimmer se puede regular en altura y pivotar, si es necesario, para enrasarla con el suelo exterior de la piscina.
- Durante el funcionamiento debe asegurarse que el nivel de agua sea lo suficiente alto, para evitar la absorción de aire. En el caso de que el nivel del agua sea excesivo, el skimmer posee una toma de agua que puede evacuar el agua sobrante.



* Boquillas y tuberías no incluidas en el producto.

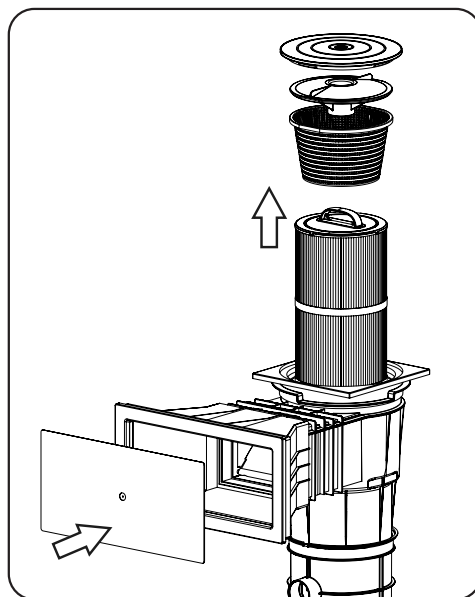
4. LIMPIEZA DEL CARTUCHO DE FILTRACIÓN

Retirar el cartucho para su limpieza

1. Abrir la tapa del skimmer y extraer la cesta.
2. Ahora con cierta celeridad realizar los siguientes pasos:
 - 2.1 Colocar el accesorio tapa boca skimmer hasta vaciar el agua del cuerpo del skimmer.
 - 2.2 Extraer el cartucho por el asa.
 - 2.3 Introducir el segundo cartucho suministrado.
 - 2.4 Volver a colocar la cesta.
 - 2.5 Quitar la tapa boca skimmer para volver a llenar de agua el cuerpo.

Limpieza del cartucho de filtración

- La limpieza se realiza de promedio una vez al mes, dependiendo de la frecuencia de uso de la piscina y del tamaño de esta.
- En épocas de mucho uso, se recomienda un mínimo de un lavado cada semana.
- Limpiar el filtro cartucho con una manguera de jardín con boquilla, con una inclinación de 45° y siempre en dirección de arriba hacia abajo, prestando especial atención en limpiar bien la superficie de entre los pliegues del cartucho.
- No utilizar mangueras a presión, cepillos u cualquier otro elemento mecánico para la eliminación de los restos de suciedad, hay peligro de desgarrar el papel filtrante.
- Si con la indicaciones anteriores aún queda suciedad en el cartucho, se recomienda la siguiente operación, en un recipiente con 20L de agua, mezclar un vaso pequeño de detergente (Líquido Lavavajillas) y dejar en remojo el cartucho dentro del recipiente, mínimo dos horas, luego volver a pasar la manguera con agua.
- Si detecta que el cartucho está deteriorado, cámbielo.



⚠ Advertencia: No utilizar floculantes, ni realizar tratamientos de limpieza químicos en polvo ya que el filtro puede colapsar.

5. KIT CAMBIO COLOR BOCA

- Hay el Kit 73166 para cambiar el color de la zona de la boca del skimmer, para así adaptar el skimmer al color de la piscina, se puede elegir en color Beige; Gris o Gris antracita.
- El kit está formado por una funda de la boca, compuerta y embellecedor.

6. LIMPIAFONDOS

- Otra función que pueden desarrollar los skimmers, es la de utilizarse como elemento de conexión de un limpiafondos.
- Para conectar el limpiafondos al skimmer se debe colocar la tapa de la cesta, tapar las boquillas y colocar la conexión de la manguera del limpiafondos en el agujero central de la tapa. Para el correcto funcionamiento del limpiafondos, cuando va conectado al skimmer, se deberá regular previamente la válvula de entrada de agua a la bomba que proviene del sumidero.
- En caso de que la piscina tenga varios skimmers se tendrán que cerrar los demás skimmers con la tapa de la cesta correspondiente.

⚠ Advertencia: En piscinas liner, el cierre completo de los demás skimmers y de los sumideros puede provocar que el limpiafondos se adhiera al liner.

Certificado de Garantía

1. ASPECTOS GENERALES

- 1.1 De acuerdo con estas disposiciones, el vendedor garantiza que el producto correspondiente a esta garantía no presenta ninguna falta de conformidad en el momento de su entrega.
- 1.2 El Periodo de Garantía para el Producto es de dos (2) años y se calculará desde el momento de su entrega al comprador.
- 1.3 Si se produjera una falta de conformidad del Producto y el comprador lo notificase al vendedor durante el Periodo de Garantía, el vendedor deberá reparar o sustituir el Producto a su propio coste en el lugar donde considere oportuno, salvo que ello sea imposible o desproporcionado.
- 1.4 Cuando no se pueda reparar o sustituir el Producto, el comprador podrá solicitar una reducción proporcional del precio o, si la falta de conformidad es suficientemente importante, la resolución del contrato de venta.
- 1.5 Las partes sustituidas o reparadas en virtud de esta garantía no ampliarán el plazo de la garantía del Producto original, si bien dispondrán de su propia garantía.
- 1.6 Para la efectividad de la presente garantía, el comprador deberá acreditar la fecha de adquisición y entrega del Producto.
- 1.7 Cuando hayan transcurrido más de seis meses desde la entrega del Producto al comprador y éste alegue falta de conformidad de aquél, el comprador deberá acreditar el origen y la existencia del defecto alegado.
- 1.8 El presente Certificado de Garantía no limita o prejuzga los derechos que correspondan a los consumidores en virtud de normas nacionales de carácter imperativo.

2. CONDICIONES PARTICULARES

- 2.1 La presente garantía cubre los siguientes productos y familias de los siguientes productos: SKIMMER FILTRANT.
- 2.2 Para la eficacia de esta garantía, el comprador deberá seguir estrictamente las indicaciones del Fabricante incluidas en la documentación que acompaña al Producto, cuando ésta resulte aplicable según la gama y modelo del Producto.
- 2.3 Cuando se especifique un calendario para la sustitución, mantenimiento o limpieza de ciertas piezas o componentes del Producto, la garantía sólo será válida cuando se haya seguido dicho calendario correctamente.

3. LIMITACIONES

- 3.1 La presente garantía únicamente será de aplicación en aquellas ventas realizadas a consumidores, entendiéndose por "consumidor", aquella persona que adquiere el Producto con fines que no entran en el ámbito de su actividad profesional.
- 3.2 No se otorga ninguna garantía respecto del normal desgaste por uso del producto. En relación con las piezas, componentes y/o materiales fungibles o consumibles como arena, anillas, etc., se estará a lo dispuesto en la documentación que acompañe al Producto, en su caso.
- 3.3 La garantía no cubre aquellos casos en que el Producto: (i) haya sido objeto de un trato incorrecto; (ii) haya sido inspeccionado, reparado, mantenido o manipulado por persona no autorizada; (iii) haya sido reparado o mantenido con piezas no originales o (iv) haya sido instalado o puesto en marcha de manera incorrecta.
- 3.4 Cuando la falta de conformidad del Producto sea consecuencia de una incorrecta instalación o puesta en marcha, la presente garantía sólo responderá cuando dicha instalación o puesta en marcha esté incluida en el contrato de compra-venta del Producto y haya sido realizada por el vendedor o bajo su responsabilidad.
- 3.5 Daños o fallos del filtro debido a la exposición a temperaturas inferiores a 0°C (32° F) o superiores a 35°C (95° F).
- 3.6 Daños o fallos del filtro producidos por golpes de ariete o a consecuencia de un sobredimensionamiento de las bombas del sistema de filtración.
- 3.7 Daños o fallos del cartucho por golpes de ariete o a consecuencia de un sobredimensionamiento de las bombas del sistema de filtración, limpieza a alta presión, limpieza con legías o otros líquidos químicos de alta concentración.



IMPORTANTE: Il manuale d'istruzioni in suo possesso contiene informazioni fondamentali sulle misure di sicurezza da adottare per l'installazione e la messa in servizio. Per ciò è imprescindibile che sia l'installatore che l'utente leggano le istruzioni prima di iniziare il montaggio e la messa in servizio. Conservi questo manuale per poter consultare in futuro in merito al funzionamento di questo apparecchio.

Per ottenere le migliori prestazioni dallo skimmer attenersi alle seguenti istruzioni:

	16 m ³ /h	20 m ³ /h
Piscina in cemento	73158	73161
Piscina prefabbricata/ in poliestere / con liner	73159	73162
Piscina in pannelli	73160	73163

! IMPORTANTE: AVVERTENZE DI SICUREZZA

- L'assorbimento massimo dello skimmer può arrivare a 20 m³/h.
- È importante che il livello dell'acqua della piscina copra 3/4 della bocca dello skimmer.
- Lo skimmer deve essere installato da personale tecnico specializzato.
- Non inserire pastiglie di cloro o bromo nel cestello dello skimmer.
- Il prodotto fornito presenta dei componenti in plastica ABS, che le sostanze chimiche potrebbero danneggiare. Per l'incollaggio, utilizzare colle esclusivamente di PVC; il produttore non risponde in alcun modo dell'uso di qualsiasi altro prodotto, come adesivi sigillanti, stucchi, siliconi, ecc.

1. CONTROLLARE IL MATERIALE FORNITO

La scatola contiene i seguenti accessori:

Cod. 73158 / 73161

- 1 skimmer
- 2 cartucce
- Coperchio bocca skimmer
- Manuale di installazione

Cod. 73159* / 73160 / 73162* / 73163

- 1 skimmer
- 1 bocca per skimmer
- 1 kit di incollaggio
- 2 cartucce
- Coperchio bocca skimmer
- Sacchetto con viteria 25mm (A)
- Sacchetto con viteria 32mm (B)*
- Manuale di installazione

2. CARATTERISTICHE GENERALI

La funzione specifica degli skimmer è quella di pulire lo sporco presente sulla superficie dell'acqua. Per questo motivo, è consigliabile effettuare uno studio preliminare dell'orientamento della piscina prima di costruirla in modo tale da orientare lo skimmer secondo i venti dominanti.

Di norma, lo skimmer si posiziona lungo la larghezza della piscina, nella parte superiore della zona più profonda.

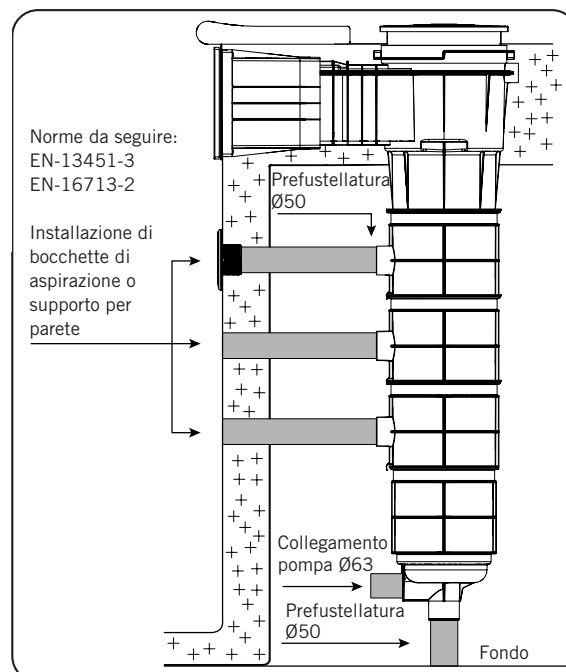
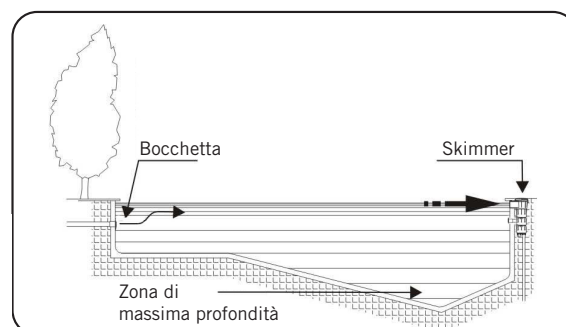
3. INSTALLAZIONE E MONTAGGIO

ATTENZIONE: si ricordi che l'assorbimento massimo dello skimmer può arrivare fino a 20 m³/h.

PISCINA IN CEMENTO (73158/73161):

- Inserire lo skimmer nella parete della piscina.
- Se necessario, fissarne il fondo al pavimento.
- Lo skimmer è dotato di appositi attacchi laterali per consentire l'installazione, ove necessario, di una bocchetta di aspirazione per garantire il flusso costante dell'acqua verso la pompa. Inoltre, tali elementi si possono utilizzare come supporto dello skimmer alla parete.

! Effettuare i necessari collegamenti delle bocchette di aspirazione, seguendo le normative vigenti nel Paese in materia di piscine. Le bocchette devono essere installate a una distanza di 2 metri tra di loro e sempre fissate tramite incollaggio ai tubi di Ø 50 mm.



* Bocchette e tubi non compresi nel prodotto

• Lo skimmer cod. 73158 presenta 2 uscite laterali, mentre lo skimmer cod. 73161 dispone di 3 uscite laterali. Tutti i collegamenti sono coperti, ma facili da aprire grazie a un'apposita prefustellatura.

• Il coperchio dello skimmer, regolabile in altezza, può ruotarsi, se necessario, in modo tale da allinearlo rispetto al pavimento esterno della piscina.

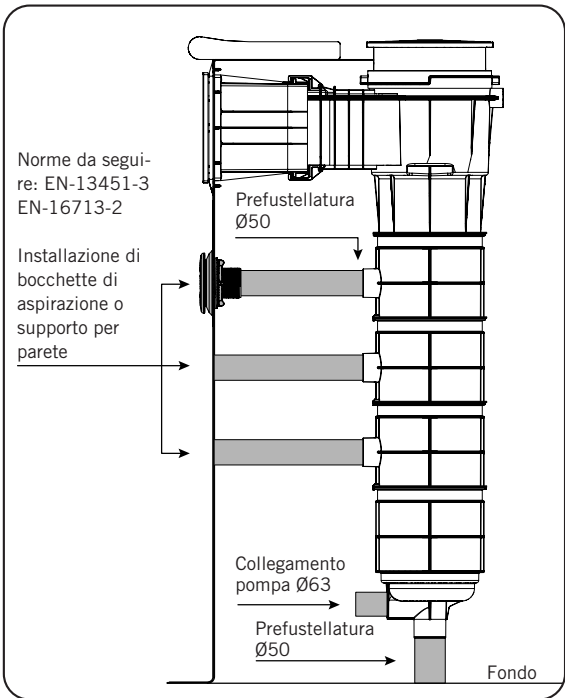
PISCINA PREFABBRICATA/IN POLIESTERE/CON LINER (73159/73162):

- Installare lo skimmer dalla parte posteriore della piscina.
- La piscina deve presentare previamente un foro di 387x170 mm. Si consiglia di mantenere una distanza di 25 mm tra la parte superiore della piscina e la parte superiore del foro.

⚠ Disporre la flangia e avvitarela mediante le 18 viti DIN 7982 5,5x25mm (A) o 5,5x32mm (B), a seconda dello spessore del pannello della piscina. Fare attenzione a non sfondare lo skimmer sul retro degli alloggiamenti delle viti.

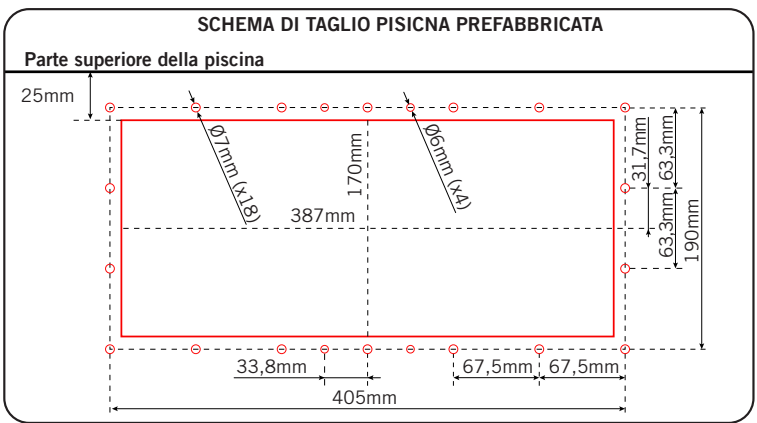
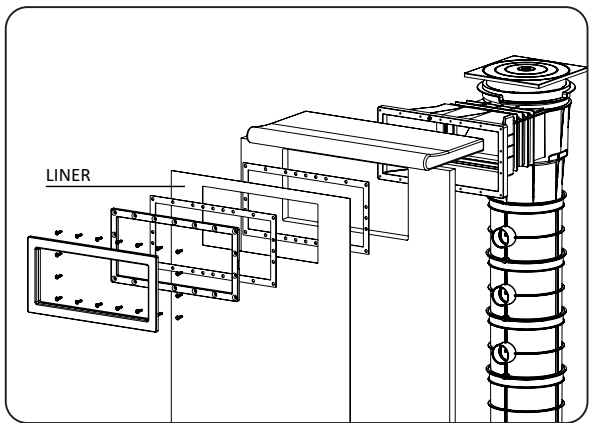
- Se necessario, fissarne il fondo al pavimento.
- Lo skimmer è dotato di appositi attacchi laterali per consentire l'installazione, ove necessario, di una bocchetta di aspirazione per garantire il flusso costante dell'acqua verso la pompa. Inoltre, tali elementi si possono utilizzare come supporto dello skimmer alla parete.

⚠ Effettuare i necessari collegamenti delle bocchette di aspirazione, seguendo le normative vigenti nel Paese in materia di piscine. Le bocchette devono essere installate a una distanza di 2 metri tra di loro e sempre fissate tramite incollaggio ai tubi di Ø 50 mm.



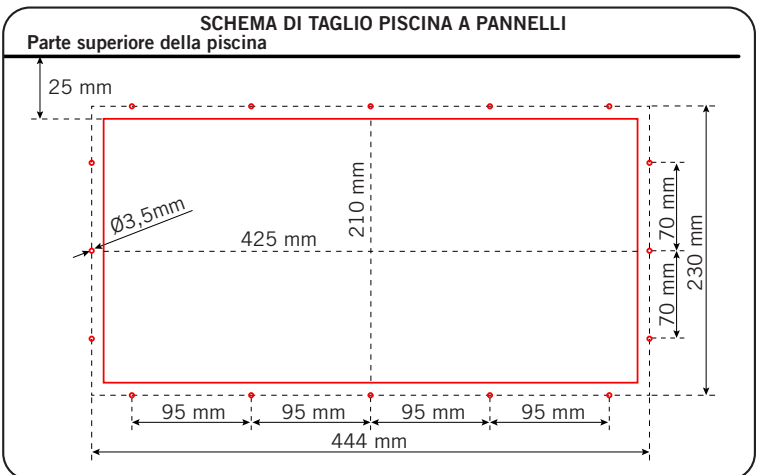
* Bocchette e tubi non compresi nel prodotto

• Lo skimmer cod. 73159 presenta 2 uscite laterali, mentre lo skimmer cod. 73162 dispone di 3 uscite laterali. Tutti i collegamenti sono coperti, ma facili da aprire grazie a un'apposita prefustellatura.



PISCINA A PANNELLI (73160/73163):

• Il pannello deve presentare un foro di 425x210 mm. Si consiglia di mantenere una distanza di 25 mm tra la parte superiore della piscina e la parte superiore del foro.



- Fare combaciare la bocca rispetto alla piscina, inserendola all'interno della vasca, quindi avvitare le 16 viti.

- Anzitutto rimuovere il battente, quindi incollare i componenti della bocca e del corpo dello skimmer nella zona indicata nel disegno, servendosi dell'adesivo fornito in dotazione, controllando che la zona sia pulita e asciutta.

- Se necessario, fissarne il fondo al pavimento.

- Posizionare i punti metallici come indicato nel disegno. Non toccare lo skimmer per 24 ore. Una volta trascorso tale lasso di tempo, controllare che l'adesivo sia ben asciutto.

IL PRODUTTORE NON RISPONDE DI INTERVENTI DI INCOLLAGGIO ESEGUITI DALL'INSTALLATORE O DAL CLIENTE.

- Rimettere il battente previamente rimosso.

- Lo skimmer è dotato di appositi attacchi laterali per consentire l'installazione, ove necessario, di una bocchetta di aspirazione per garantire il flusso costante dell'acqua verso la pompa. Inoltre, tali elementi si possono utilizzare come supporto dello skimmer alla parete.

⚠ Effettuare i necessari collegamenti delle bocchette di aspirazione, seguendo le normative vigenti nel Paese in materia di piscine. Le bocchette devono essere installate a una distanza di 2 metri tra di loro e sempre fissate tramite incollaggio ai tubi di Ø 50 mm.

- Lo skimmer cod. 73160 presenta 2 uscite laterali, mentre lo skimmer cod. 73163 dispone di 3 uscite laterali. Tutti i collegamenti sono coperti, ma facili da aprire grazie a un'apposita prefustellatura.

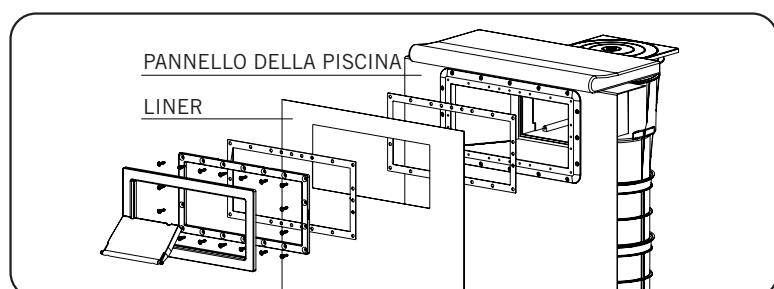
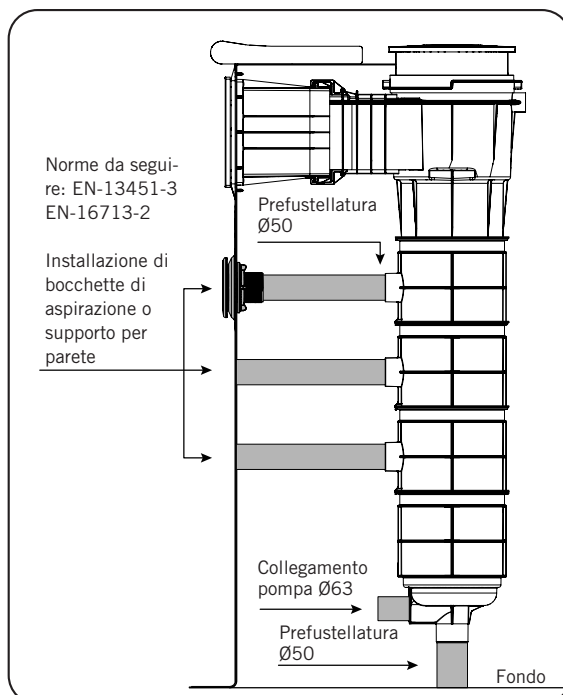
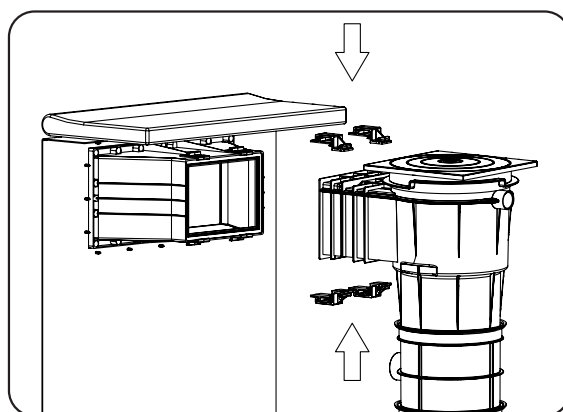
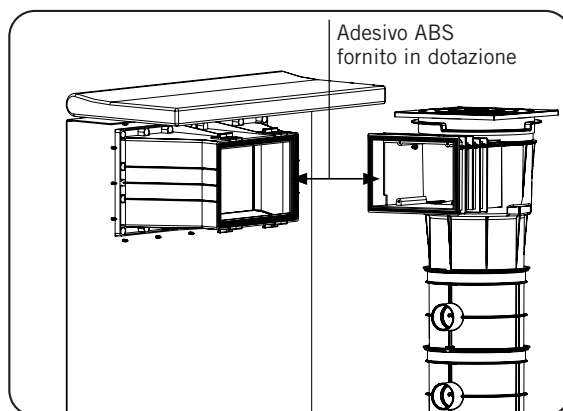
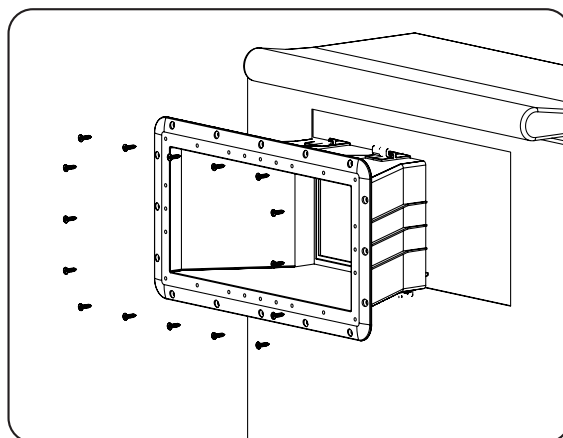
- Proseguire con il montaggio, inserendo i vari componenti: incollare una guarnizione piatta sulla parete interna della piscina, posizionare il liner della piscina e incollare un'altra guarnizione piatta.

⚠ Disporre la flangia e avitarla mediante le 18 viti DIN 7982 5,5x25mm (A).

- Collocare la cornice fino a che non si sente il clic a conferma dell'avvenuto inserimento.

- Il coperchio dello skimmer, regolabile in altezza, può ruotarsi, se necessario, in modo tale da allinearlo rispetto al pavimento esterno della piscina.

- Durante il funzionamento assicurarsi che il livello dell'acqua sia sufficientemente alto da impedire l'assorbimento dell'aria. Nel caso in cui il livello dell'acqua sia eccessivo, lo skimmer è provvisto di una presa d'acqua che consente lo scarico dell'acqua in eccesso.



* Bocchette e tubi non compresi nel prodotto

4. PULIZIA DELLA CARTUCCIA DEL FILTRO

Rimuovere la cartuccia per consentirne la pulizia

1. Aprire il coperchio dello skimmer ed estrarne il cestello.
2. A questo punto, compiere i seguenti passi con una certa celerità:
 - 2.1 Disporre l'accessorio del coperchio della bocca dello skimmer fino a svuotarne il corpo da tutta l'acqua.
 - 2.2 Estrarre la cartuccia tramite l'apposita impugnatura.
 - 2.3 Inserire la seconda cartuccia fornita in dotazione.
 - 2.4 Inserire nuovamente il cestello.
 - 2.5 Rimuovere il coperchio della bocca dello skimmer per riempire nuovamente il corpo d'acqua.

Pulire la cartuccia del filtro

- La pulizia si effettua in media una volta al mese, a seconda della frequenza di utilizzo della piscina e delle rispettive dimensioni.
- Nei periodi di uso intensivo, si raccomanda di effettuare almeno un lavaggio a settimana.
- Pulire il filtro a cartuccia con un tubo da giardino provvisto di bocchetta facendo in modo che il getto sia a 45° e sempre dall'alto verso il basso, prestando particolare attenzione a pulire accuratamente la superficie presente tra le pieghe della cartuccia.
- Per rimuovere i resti di sporcizia non utilizzare tubi flessibili a pressione, spazzole né altri elementi meccanici, altrimenti si corre il rischio che si strappi la carta del filtro.
- Se nonostante le precedenti indicazioni dovesse essere rimasta sporcizia nella cartuccia, si consiglia di procedere in questo modo: in un contenitore con 20 l di acqua, mescolare un bicchierino di detersivo (detersivo liquido per lavastoviglie) e lasciarvi la cartuccia in ammollo per almeno due ore, quindi risciacquare nuovamente con il tubo flessibile.
- Sostituire la cartuccia in caso di segni di deterioro.

⚠ Attenzione: Evitare l'utilizzo di flocculanti e qualsiasi trattamento di pulizia chimico a base di prodotti in polvere che potrebbero andare a ostruire il filtro.

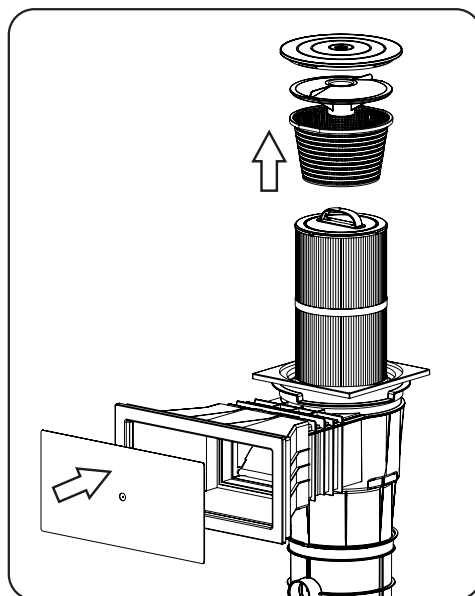
5. KIT COLORI BOCCA

- Lo scopo del kit 73166 è quello di consentire l'adattamento del colore della zona della bocca dello skimmer a quello della piscina. I colori disponibili sono: beige, grigio e grigio antracite.
- Il kit comprende una custodia per bocca, battente e cornice.

6. PULITORI AUTOMATICI

- Gli skimmer possono altresì fungere da elementi di collegamento per i pulitori automatici.
- Per collegare il pulitore automatico allo skimmer collocare il coperchio del cestello e quindi inserire l'attacco del tubo flessibile del pulitore automatico nel foro centrale del medesimo. Per assicurarsi il corretto funzionamento di un pulitore automatico collegato allo skimmer, è necessario regolare previamente la valvola che consente l'ingresso nella pompa dell'acqua proveniente dal pozzetto di fondo.
- Qualora la piscina avesse più skimmer, chiudere gli altri con il coperchio del cestello corrispondente.

⚠ Attenzione: Nelle piscine provviste di liner, la chiusura completa degli altri skimmer e dei pozzetti di fondo potrebbe causare l'adesione del pulitore automatico al liner.



Certificato di Garanzia

1. ASPETTI GENERALI

- 1.1. Ai sensi di queste disposizioni, il venditore garantisce che il prodotto corrispondente a questa garanzia non presenta alcun difetto di conformità al momento della sua consegna.
- 1.2. Il Periodo di Garanzia per il Prodotto è di due (2) anni a decorrere dal momento della consegna dello stesso all'acquirente.
- 1.3. Nel caso in cui si venisse a produrre un difetto di conformità del Prodotto e l'acquirente lo notificasse al venditore entro il Periodo di Garanzia, il venditore dovrà riparare o sostituire il Prodotto a sue spese nel luogo che consideri opportuno, salvo che ciò risulti impossibile o sproporzionato.
- 1.4. Qualora non fosse possibile riparare o sostituire il Prodotto, l'acquirente potrà richiedere una riduzione proporzionale del prezzo o, nel caso in cui il difetto di conformità fosse sufficientemente importante, lo scioglimento del contratto di vendita.
- 1.5. Le parti sostituite o riparate in virtù della presente garanzia non rappresenteranno un prolungamento della scadenza della garanzia del Prodotto originale, quantunque disporranno di una loro propria garanzia.
- 1.6. Affinché la presente possa essere valida, l'acquirente dovrà attestare la data di acquisto e consegna di del Prodotto.
- 1.7. Una volta trascorsi più di sei mesi dalla consegna del Prodotto all'acquirente, qualora quest'ultimo dichiari un difetto di conformità del medesimo, l'acquirente dovrà attestare l'origine e l'esistenza del difetto dichiarato.
- 1.8. Il presente Certificato di Garanzia non limita o preclude i diritti che corrispondano ai consumatori in virtù delle norme nazionali di carattere imperativo.

2. CONDIZIONI PARTICOLARI

- 2.1. La presente garanzia copre i seguenti prodotti e famiglie dei seguenti prodotti: SKIMMER FILTRANTI.
- 2.2 Per la validità di questa garanzia, l'acquirente dovrà rispettare in maniera rigorosa le indicazioni del Fabbricante indicate nella documentazione che viene allegata al Prodotto, quando questa risulti applicabile secondo la gamma e il modello del Prodotto.
- 2.3 Nel caso in cui venga specificato un calendario per la sostituzione, la manutenzione o la pulizia di determinati pezzi o componenti del Prodotto, la garanzia sarà valida solo quando qualora detto calendario sia stato rispettato in maniera corretta.

3. LIMITAZIONI

- 3.1 La presente garanzia sarà valida unicamente per le vendite realizzate a consumatori, laddove per "consumatori" s'intende quella persona che acquista il Prodotto con scopi che non rientrano nell'ambito della sua attività professionale.
- 3.2 Non viene concessa alcuna garanzia nei riguardi del normale consumo per uso del prodotto. In merito ai pezzi, ai componenti e/o ai materiali fusibili o consumabili come pile, lampadine, ecc., ove sussista si applicherà quanto disposto nella documentazione che è allegata al Prodotto.
- 3.3 La garanzia non copre i casi in cui il Prodotto: (I) sia stato oggetto di un uso non corretto; (II) sia stato riparato, manipolato o la manutenzione sia stata effettuata da una persona non autorizzata; (III) sia stato riparato o la manutenzione sia stata effettuata con pezzi non originali o (IV) sia stato installato o messo in marcia in maniera non corretta.
- 3.4 Qualora il difetto di conformità del Prodotto sia conseguenza di un'installazione o messa in marcia non corretta, la presente garanzia risponderà solo nel caso in cui la suddetta installazione o messa in marcia sia compresa nel contratto di compravendita del Prodotto e sia stata realizzata dal venditore o sotto la sua responsabilità.
- 3.5 Danni o difetti del filtro causati dall'esposizione a temperature inferiori a 0° C (32° F) o superiori a 35° C (95° F).
- 3.6 Danni o difetti del filtro prodotti da colpi di ariete o a conseguenza di un sovradimensionamento delle pompe del sistema di filtraggio.
- 3.7 Danneggiamento o guasti della cartuccia a causa di colpi d'ariete, un sovradimensionamento delle pompe presenti nel sistema di filtrazione, pulizia ad alta pressione, con candeggina o impiego di altri liquidi chimici altamente concentrati.



WICHTIG: Das Handbuch mit den Betriebsanleitungen, das Sie in Händen halten, enthält wichtige Information über die anzuwendenden Sicherheitsmaßnahmen für die Installation und Inbetriebnahme. Es ist daher unerlässlich, daß die Anweisungen vom Installateur und vom Benutzer vor der Montage und Inbetriebnahme aufmerksam durchgelesen werden. Bewahren Sie dieses Handbuch auf, falls Sie zu einem späteren Zeitpunkt Informationen über die Funktion dieses Apparates nachschlagen möchten.

Um eine optimale Leistung des Skimmers zu erzielen ist es zweckmäßig, folgende Anweisungen zu beachten:

	16 m ³ /h	20 m ³ /h
Betonbecken	73158	73161
Vorgefertigtes Becken / Polyester/ Liner	73159	73162
Paneelbecken	73160	73163

! WICHTIG - SICHERHEITSHINWEISE

- Die maximale Absorption des Skimmers kann bis zu 20 m³/h erreichen.
- Es ist wichtig, dass der Wasserstand des Beckens zu 3/4 die Saugöffnung des Skimmers bedeckt.
- Der Skimmer darf nur von ausgebildetem Fachpersonal installiert werden.
- Keine Chlor- oder Bromtabletten in den Skimmerkorb legen.
- Das gelieferte Produkt enthält ABS-Kunststoffkomponenten und kann durch Chemikalien beschädigt werden. Für Verklebungen darf nur spezieller PVC-Kleber verwendet werden; in keinem Fall haftet der Hersteller für die Verwendung jeglicher anderer Produkte wie Abdichtungskleber, Kitt, Silikon, etc...

1. ÜBERPRÜFEN SIE DEN VERPACKUNGSINHALT

Im Inneren des Kartons befindet sich folgendes Zubehör:

Code 73158 / 73161

- 1 Skimmer
- 2 Kartuschen
- Deckel Skimmersaugöffnung
- Installationsanleitung

Code 73159* / 73160 / 73162* / 73163

- 1 Skimmer
- 1 Skimmersaugöffnung
- 1 Verklebungskit
- 2 Kartuschen
- Deckel Skimmersaugöffnung
- Tüte Schrauben 25mm (A)
- Tüte Schrauben 32mm (B)*
- Installationsanleitung

2. ALLGEMEINE MERKMALE

Die spezifische Funktion des Skimmers besteht in der Reinigung der Wasseroberfläche. Aus diesem Grund ist es empfehlenswert, eine Vorstudie zur Ausrichtung des Schwimmbeckens vor seinem Bau durchzuführen und den Skimmer nach den vorherrschenden Winden auszurichten.

In der Regel wird der Skimmer in der Beckenbreite und an der tiefsten Stelle im oberen Bereich positioniert.

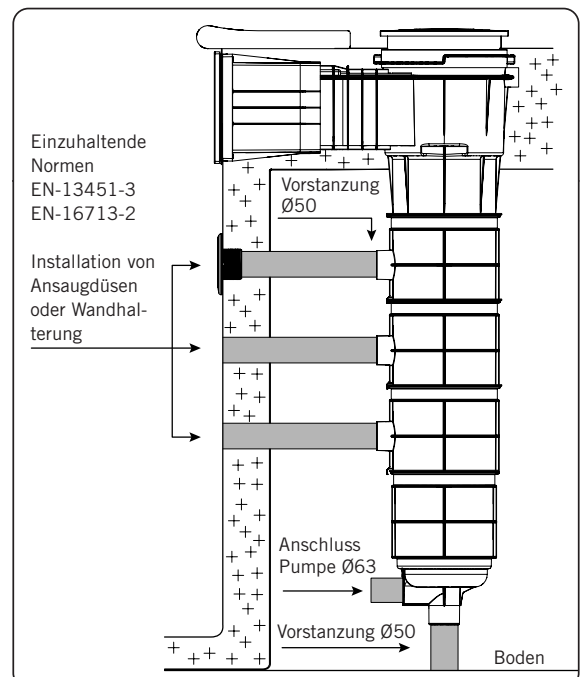
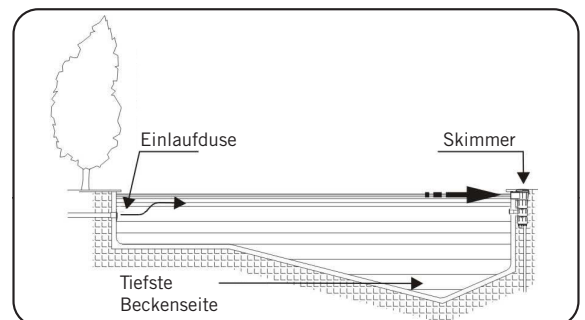
3. INSTALLATION UND MONTAGE

ACHTUNG: es ist zu berücksichtigen, dass die maximale Absorption des Skimmers bis zu 20 m³/h erreichen kann.

BETONBECKEN (73158 / 73161):

- Den Skimmer in die Beckenwand einbauen.
- Falls notwendig, die Basis des Skimmers am Boden befestigen.
- Der Skimmer verfügt über seitliche Anschlüsse, damit erforderlichenfalls Ansaugdüsen installiert werden können, um einen konstanten Wasserfluss zur Pumpe zu gewährleisten. Sie können auch als Halter des Skimmers an der Wand verwendet werden.

! Die erforderlichen Anschlüsse zu den Ansaugdüsen müssen gemäß der in dem Land geltenden Vorschriften für Schwimmbäder hergestellt und die Ansaugdüsen in einem Abstand untereinander von 2 Metern und stets mit Verklebungen bei Rohren von Ø50 mm installiert werden.



- Der Skimmer 73158 hat 2 seitliche Anschlüsse, der Skimmer 73161 hat 3 seitliche Anschlüsse. Alle Anschlüsse sind abgedeckt, aber dank eine Vorabschnitts leicht zu öffnen.

- Der Skimmerdeckel ist höhenverstellbar und bei Bedarf schwenkbar, um ihn mit dem Boden des Beckenaußenbereichs bündig zu machen.

VORGEFERTIGTES BECKEN / POLYESTER / LINER (73159 / 73162)

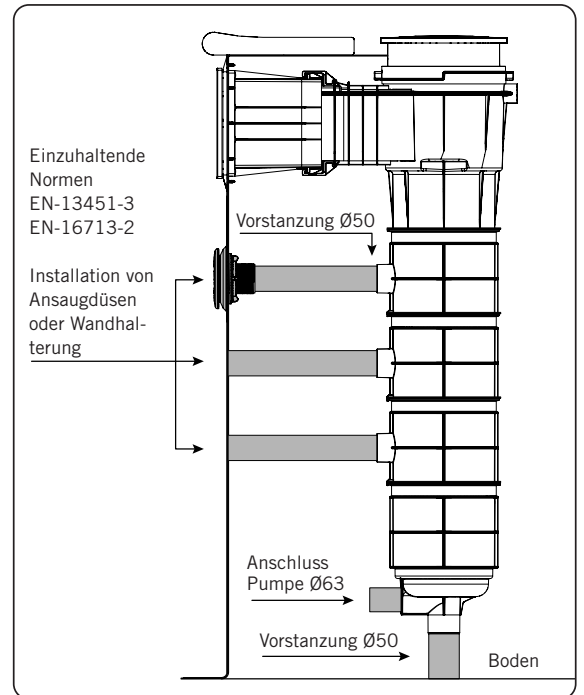
- Der Skimmer muss von der Rückseite des Beckens installiert werden.

- Das Schwimmbecken muss zuvor einen Ausschnitt von 387x170mm haben, es wird eine Distanz von 25 mm zwischen dem oberen Beckenteil und der Oberkante des Ausschnitts empfohlen.

⚠ Den Flansch setzen und anschrauben mit den 18 Schrauben DIN 7982 5,5x25mm (A) oder 5,5x32mm (B) entsprechend der Dicke des Schwimmbeckenpanels. Stellen Sie sicher, dass der Skimmer nicht an der Rückseite der Schraubenaufnahmen aufplatzt.

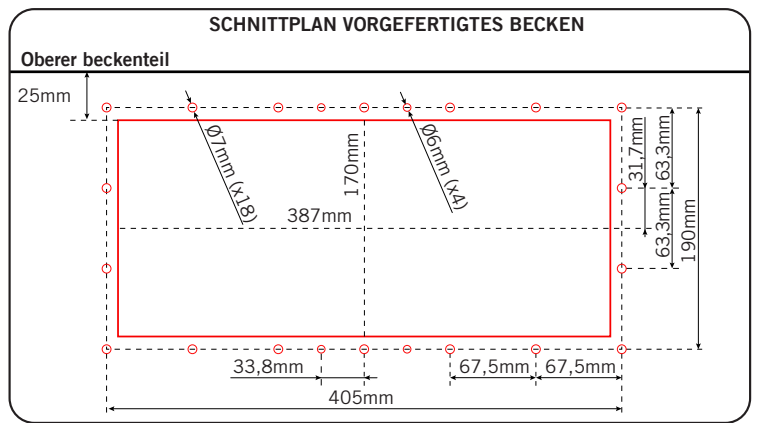
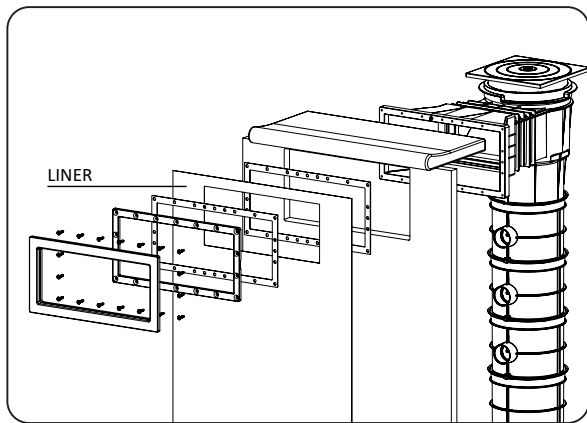
- Falls notwendig, die Basis des Skimmers am Boden befestigen.
- Der Skimmer verfügt über seitliche Anschlüsse, damit erforderlichenfalls Ansaugdüsen installiert werden können, um einen konstanten Wasserfluss zur Pumpe zu gewährleisten. Sie können auch als Halter des Skimmers an der Wand verwendet werden.

⚠ Die erforderlichen Verbindungen zu den Ansaugdüsen müssen gemäß der in dem Land geltenden Vorschriften für Schwimmbäder hergestellt und die Ansaugdüsen in einem Abstand untereinander von 2 Metern und stets mit Verklebungen bei Rohren von Ø50 mm installiert werden.



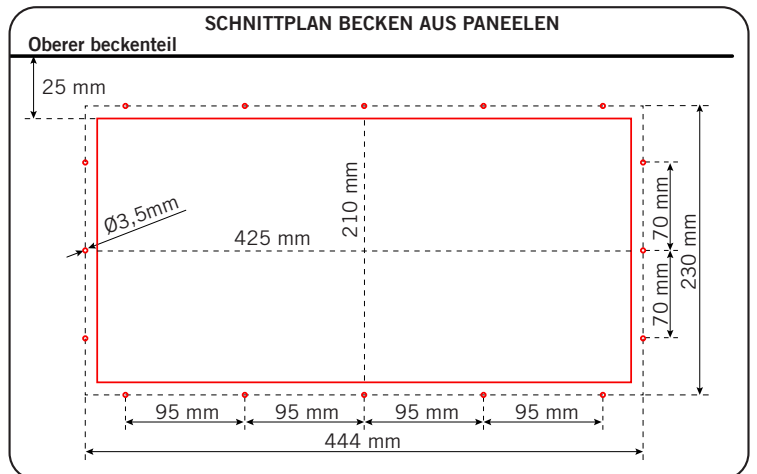
* Düsen und Rohre sind nicht im Produkt inbegriffen

- Der Skimmer 73159 hat 2 seitliche Anschlüsse, der Skimmer 73162 hat 3 seitliche Anschlüsse. Alle Anschlüsse sind abgedeckt, aber dank einer Vorstanzung leicht zu öffnen.



BECKEN AUS PANEELN (73160 / 73163):

- Das Panel muss einen Ausschnitt von 425x210 mm haben. Es wird eine Distanz von 25 mm zwischen dem oberen Beckenteil und der Oberkante des Ausschnitts empfohlen.



- Die Saugöffnung vom Beckeninnern aus in das Becken einsetzen und die 16 Schrauben einschrauben.
- Zuvor die Klappe abnehmen, die Teile Saugöffnung und Körper des Skimmers in dem in der Zeichnung angegebenen Bereich mit dem mitgelieferten Klebstoff verkleben; dieser Bereich muss sauber und trocken sein.
- Falls notwendig, die Basis des Skimmers am Boden befestigen.
- Die Klammern entsprechend der Zeichnung anbringen. 24h vergehen lassen ohne irgendwelche Manipulationen an dem Skimmer vorzunehmen. Nach Ablauf der 24h. Überprüfen, ob der Klebstoff richtig trocken ist.

DER HERSTELLER HAFTET NICHT FÜR VERKLEBUNGEN, DIE VON DEM INSTALLATEUR ODER DEM KUNDEN DURCHFÜHRT WURDEN.

- Die zuvor entfernte Klappe wieder einsetzen.
- Der Skimmer verfügt über seitliche Anschlüsse, damit erforderlichenfalls Ansaugdüsen installiert werden können, um einen konstanten Wasserfluss zur Pumpe zu gewährleisten. Sie können auch als Halter des Skimmers an der Wand verwendet werden.

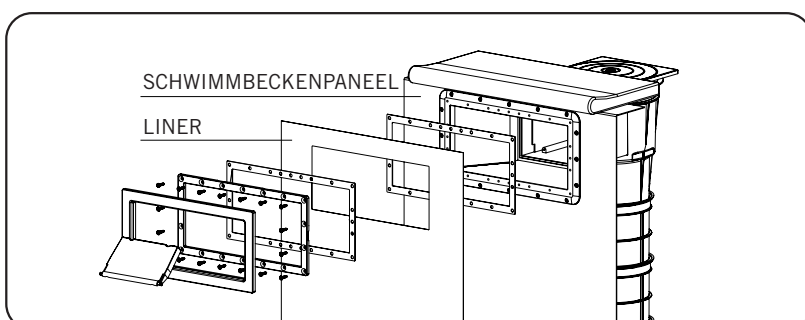
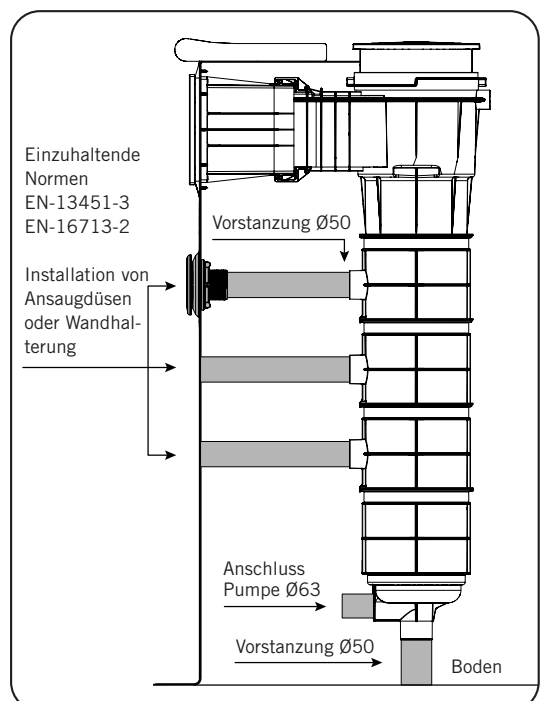
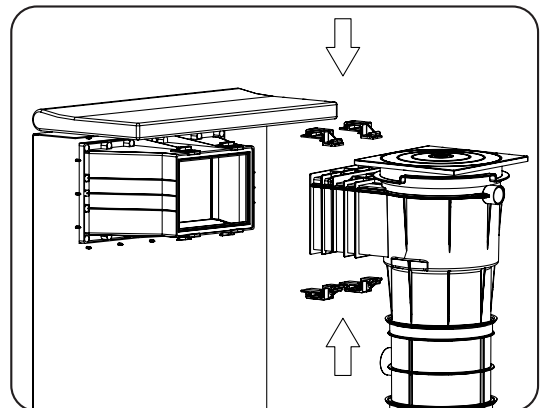
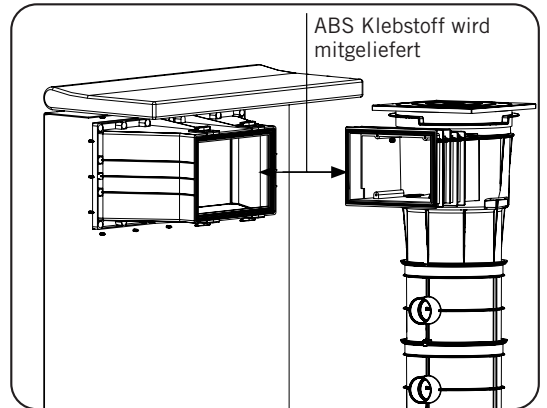
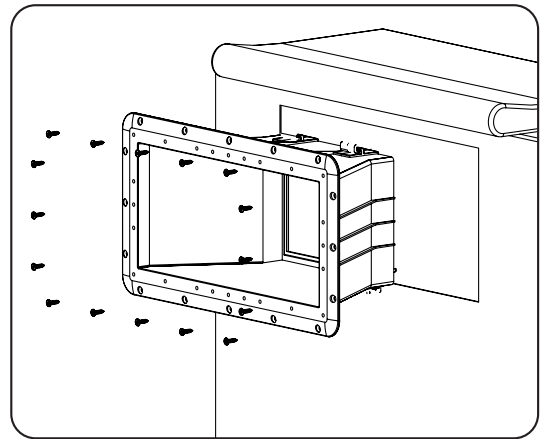
! Die erforderlichen Verbindungen zu den Ansaugdüsen müssen gemäß der in dem Land geltenden Vorschriften für Schwimmbäder hergestellt und die Ansaugdüsen in einem Abstand untereinander von 2 Metern und stets mit Verklebungen bei Rohren von Ø50 mm installiert werden.

• Der Skimmer 73160 hat 2 seitliche Anschlüsse, der Skimmer 73163 hat 3 seitliche Anschlüsse. Alle Anschlüsse sind abgedeckt, aber dank einer Vorstanzung leicht zu öffnen.

• Die Montage fortsetzen, indem die verschiedenen Teile eingefügt werden: Eine Flachdichtung an die Innenwand des Schwimmbeckens kleben; Den Becken-Liner aufbringen; Die andere Flachdichtung ankleben.

! Den Flansch setzen und anschrauben mit den 18 Schrauben DIN 7982 5,5x25mm (A).

- Die Blende setzen und einklicken.
- Der Skimmerdeckel ist höhenverstellbar und bei Bedarf schwenkbar, um ihn mit dem Boden des Beckenaußenbereichs bündig zu machen.
- Während des Betriebs muss sichergestellt werden, dass der Wasserstand ausreichend hoch ist, um das Ansaugen von Luft zu vermeiden. Falls der Wasserstand zu hoch ist, hat der Skimmer einen Wasseranschluss, über den das überschüssige Wasser abgeleitet werden kann.



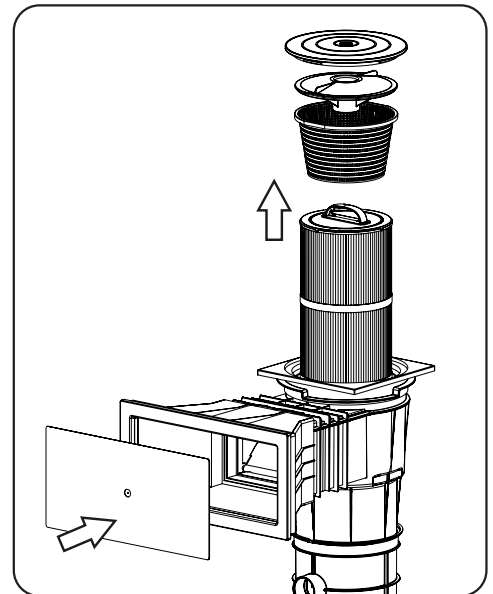
4. REINIGUNG DER FILTERKARTUSCHE

Die Kartusche zur Reinigung herausnehmen

1. Den Skimmerdeckel öffnen und den Korb herausnehmen.
2. Jetzt mit einer gewissen Geschwindigkeit folgende Schritte ausführen:
 - 2.1 Das Zusatzteil ‚Deckel Skimmersaugöffnung‘ anbringen, bis das Wasser aus dem Skimmerkörper abgelassen ist.
 - 2.2 Die Kartusche am Griff herausziehen.
 - 2.3 Zweite mitgelieferte Kartusche einlegen.
 - 2.4 Den Korb wieder einsetzen.
 - 2.5 Den Deckel der Skimmersaugöffnung abnehmen, um den Körper wieder mit Wasser zu füllen.

Reinigung der Filterkartusche

- Die Reinigung erfolgt im Durchschnitt einmal im Monat, je nach Nutzungshäufigkeit des Schwimmbeckens und dessen Größe.
- In Zeiten mit starker Nutzung wird mindestens eine Reinigung pro Woche empfohlen.
- Den Kartuschenfilter mit einem Gartenschlauch mit Düse in einem nach oben gerichteten Winkel von 45° reinigen. Besonders darauf achten, dass die Fläche zwischen den Kartuschenfalten gut gereinigt wird.
- Keinen Druckschlauch, Bürsten oder sonstigen mechanischen Elemente für die Entfernung von Schmutzresten verwenden, da dadurch das Filterpapier zerreißen kann.
- Wenn nach der obigen Verfahrensweise noch Schmutz in der Kartusche zurückbleibt, wird folgendes Verfahren empfohlen: In einem 20-l-Gefäß mit Wasser ein kleines Glas Geschirrspülmittel geben und die Kartusche darin mindestens 2 Stunden einweichen lassen. Dann erneut mit dem Schlauch reinigen.
- Tauschen Sie die Kartusche aus, wenn Sie eine Beschädigung feststellen.



Achtung: Keine Flockungsmittel und keine Behandlungen mit Chemikalien in Pulverform durchführen, da der Filter dadurch kollabieren kann.

5. KIT FARBWECHSEL SAUGÖFFNUNG

- Mit dem Kit 73166 kann die Farbe im Bereich der Saugöffnung des Skimmers geändert werden, um so den Skimmer an die Beckenfarbe anzupassen; man kann die Farben Beige, Grau oder Anthrazitgrau wählen.
- Der Kit besteht aus einer Verkleidung für die Saugöffnung, einer Klappe und einer Blende.

6. BODENSAUGER

- Eine weitere Funktion des Skimmers besteht in der Verwendung als Anschlüsselement für einen Bodensauger.
- Für den Anschluss des Bodensaugers an den Skimmer muss die Korbabdeckung aufgesetzt werden und der Schlauchanschluss des Bodensaugers in die mittige Aussparung in der Abdeckung eingesetzt werden. Für eine korrekte Funktionsweise des Bodensaugers muss, bevor er an den Skimmer angeschlossen wird, das Einlassventil des vom Bodenablauf zur Pumpe kommenden Wassers reguliert werden.
- Falls das Becken mehrere Skimmer hat, müssen die übrigen Skimmer mit der jeweiligen Korbabdeckung geschlossen werden.



Achtung: Bei Becken mit Liner kann das vollständige Schließen der übrigen Skimmer und der Bodenabläufe zu einem Festsaugen des Bodensaugers an den Liner führen.

Garantiezertifikat

1. ALLGEMEINE GESICHTSPUNKTE

- 1.1 In Übereinstimmung mit diesen Verfügungen garantiert der Verkäufer, dass das Produkt, auf das sich diese Garantie bezieht, im Moment der Übergabe einwandfrei ist.
- 1.2 Der Garantiezeitraum für das Produkt beträgt zwei (2) Jahre und wird ab dem Augenblick der Lieferung an den Käufer gerechnet.
- 1.3 Falls ein Mangel am Produkt auftritt und der Käufer den Verkäufer innerhalb des Garantiezeitraums darüber unterrichtet, muss der Verkäufer das Produkt auf eigene Kosten dort reparieren oder ersetzen, wo es für ihn am günstigsten ist, es sei denn, dies ist unmöglich oder unverhältnismäßig.
- 1.4 Wenn das Produkt weder repariert noch ersetzt werden kann, kann der Käufer einen angemessenen Preisnachlass beantragen, oder, falls es sich um einen größeren Mangel handelt, die Auflösung des Kaufvertrages.
- 1.5 Die Teile, die aufgrund dieser Garantie ersetzt oder repariert werden, verlängern den Garantiezeitraum für das Originalprodukt nicht. Jedoch existiert für diese Teile eine eigene Garantie.
- 1.6 Um die vorliegende Garantie wirksam werden zu lassen, muss der Käufer das Kaufdatum und das Lieferdatum des Produktes belegen.
- 1.7 Nach Ablauf von sechs Monaten ab Lieferung des Produktes an den Käufer muss der Käufer, falls er einen Mangel am Produkt anführt, den Ursprung und das Vorhandensein des angegebenen Mangels belegen.
- 1.8 Das vorliegende Garantiezertifikat schränkt die Rechte, die der Verbraucher aufgrund der gültigen, nationalen Gesetzgebung hat, nicht ein.

2. SONDERBEDINGUNGEN

- 2.1 Die vorliegende Garantie gilt für die folgenden Produkte und Produktfamilien: SKIMMER FILTRANT.
- 2.2 Diese Garantie gilt nur, falls der Käufer alle Anweisungen des Herstellers, die in der produktbegleitenden Dokumentation enthalten und auf die jeweilige Produktlinie und Modell anwendbar sind, streng einhält.
- 2.3 Wenn ein Zeitplan für den Austausch von Teilen, die Instandhaltung und Reinigung bestimmter Teile oder Produktkomponenten aufgestellt wurde, gilt die Garantie nur dann, wenn dieser Zeitplan korrekt eingehalten wurde.

3. EINSCHRÄNKUNGEN

- 3.1 Die vorliegende Garantie ist nur auf Verkäufe an Verbraucher anwendbar. "Verbraucher" sind alle Personen, die dieses Produkt zu privaten Zwecken erwerben.
- 3.2 Es wird keine Garantie für die normale Abnutzung durch den Gebrauch des Produktes gewährt. Informationen über Teile, Komponenten und/oder verschleißbare Materialien oder Verbrauchsgüter wie Sand, Ringe, usw. finden Sie in der Dokumentation, die das jeweilige Produkt begleitet.
- 3.3 In folgenden Fällen gilt die Garantie nicht: (I) Das Produkt wurde nicht korrekt benutzt; (II) das Produkt wurde von nicht autorisierten Personen repariert, instandgehalten oder bedient; (III) das Produkt wurde nicht mit Originalersatzteilen repariert oder instandgehalten oder (IV) es wurde falsch installiert oder in Betrieb genommen.
- 3.4 Falls der Mangel auf eine falsche Installation oder Inbetriebnahme zurückzuführen ist, gilt die vorliegende Garantie nur, falls diese Installation oder Inbetriebnahme in den Kaufvertrag des Produktes eingeschlossen ist, und von dem Verkäufer oder auf dessen Verantwortung durchgeführt wurde.
- 3.5 Schäden und Störungen am Filter, die darauf zurückzuführen sind, dass es Temperaturen unter 0° C (32° F) oder über 35° C (95° F) ausgesetzt wurde.
- 3.6 Schäden oder Defekte des Filters, die durch Wasserschlag oder zu starke Pumpen im Filtersystem hervorgerufen wurden.
- 3.7 Schäden oder Mängel an der Kartusche durch heftige Stöße oder infolge einer Überdimensionierung der Pumpen des Filtersystems, Reinigung mit Hochdruck, Reinigung mit Lauge oder anderen hoch konzentrierten flüssigen Chemikalien.



IMPORTANTE: O manual de instruções que você tem nas mãos contém informação fundamental sobre as medidas de segurança a tomar ao realizar a instalação e a colocação em funcionamento. Por isso, é imprescindível que tanto o instalador como o utilizador leiam as instruções antes de realizar a montagem e a colocação em funcionamento. Guarde este manual para futuras consultas sobre o funcionamento deste aparelho.

Para conseguir um ótimo rendimento do skimmer é conveniente observar as instruções que se indicam a seguir:

	16 m ³ /h	20 m ³ /h
Piscina de betão	73158	73161
Piscina pré-fabricada/poliéster/liner	73159	73162
Piscina de painéis	73160	73163

! IMPORTANTE – ADVERTÊNCIAS DE SEGURANÇA

- A absorção máxima do skimmer pode alcançar os 20 m³/h.
- É importante que o nível da água da piscina cubra 3/4 partes da boca do skimmer.
- O skimmer deve ser instalado por pessoal técnico especializado.
- Não colocar pastilhas de cloro ou de bromo no cesto do skimmer.
- O produto fornecido tem componentes de plástico ABS e os produtos químicos podem danificá-los. Quando realizar colagens, utilize apenas cola exclusivamente de PVC. O fabricante não se responsabiliza em caso algum da utilização de quaisquer outros produtos como adesivos vedantes, betumes, silicões, etc.

1. VERIFIQUE O CONTEÚDO DA EMBALAGEM

No interior da caixa irá encontrar os seguintes elementos:

Códigos 73158 / 73161

- 1 skimmer
- 2 cartuchos
- Tampa da boca do skimmer
- Manual de instalação

Códigos 73159* / 73160 / 73162* / 73163

- 1 skimmer
- 1 boca de skimmer
- 1 kit de colagem
- 2 cartuchos
- Tampa da boca do skimmer
- Saco de parafusos 25mm (A)
- Saco de parafusos 32mm (B)*
- Manual de instalação

2. CARACTERÍSTICAS GERAIS

A função específica dos skimmers é limpar a sujidade da superfície da água. Por este motivo, é aconselhável fazer um estudo prévio da orientação da piscina antes da sua construção, orientar o skimmer para os ventos predominantes.

Como regra geral, o skimmer colocar-se-à na parte correspondente à largura da piscina e na parte superior da zona mais profunda.

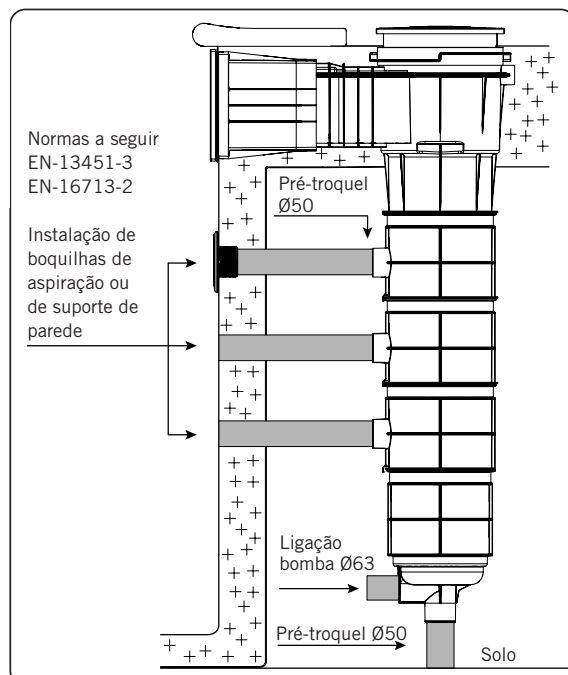
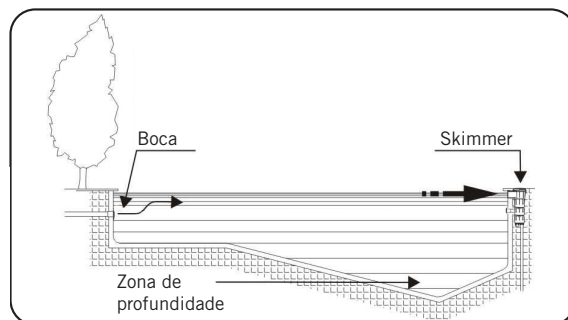
3. INSTALAÇÃO E MONTAGEM

ATENÇÃO: ter em conta que a absorção máxima do skimmer pode alcançar os 20 m³/h.

PISCINA DE BETÃO (73158 / 73161):

- Encastrar o skimmer na parede da piscina.
- Se for necessário, fixar a base do skimmer ao chão.
- O skimmer possui uniões laterais para, em caso necessário, instalar um boquilla aspiração e assegurar o fluxo constante de água até à bomba. Também podem ser utilizadas como suporte de parede do skimmer.

! Realizar as ligações das boquilhas de aspiração necessárias, seguindo a regulamentação relativa a piscinas vigente no país em questão. As boquilhas devem ser instaladas deixando entre si uma distância de 2 metros, e sempre coladas em tubos de Ø50 mm.



• O skimmer 73158 tem 2 ligações laterais, o skimmer 73161 tiene 3 ligações laterais. Todas as ligações estão tapadas, mas são de fácil abertura, graças a um pré-corte.

• A cobertura do skimmer pode ser ajustada em altura e girada, se necessário, para ficar nivelada com o piso externo da piscina.

PISCINA PRÉ-FABRICADA/POLIÉSTER/LINER (73159 / 73162):

• O skimmer deve ser instalado a partir da parte posterior da piscina.

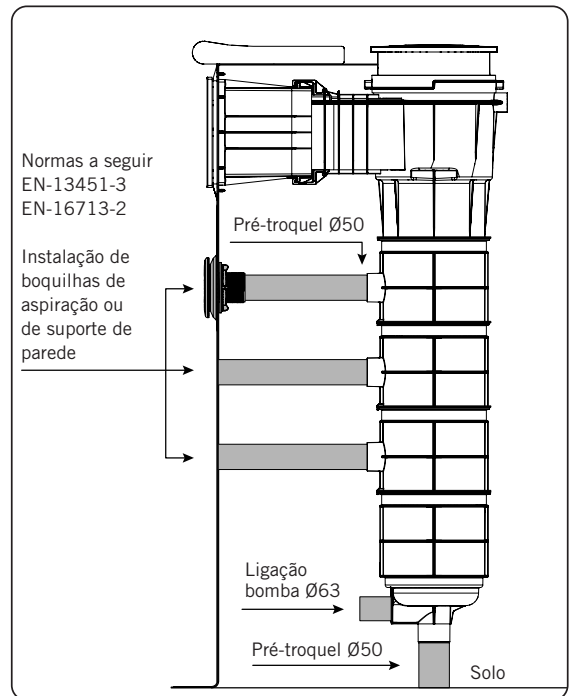
• Previamente, a piscina deve ter um orifício de 387 x 170 mm. É recomendável uma distância de 25 mm entre a parte superior da piscina e a parte superior do orifício.

⚠ Colocar a braçadeira e aparafusá-la com os 18 parafusos DIN 7982 5,5x25mm (A) ou 5,5x32mm (B), consoante a espessura do painel da piscina. Cuidado para o skimmer não rebentar pela parte traseira dos alojamentos dos parafusos

• Se for necessário, fixar a base do skimmer ao chão.

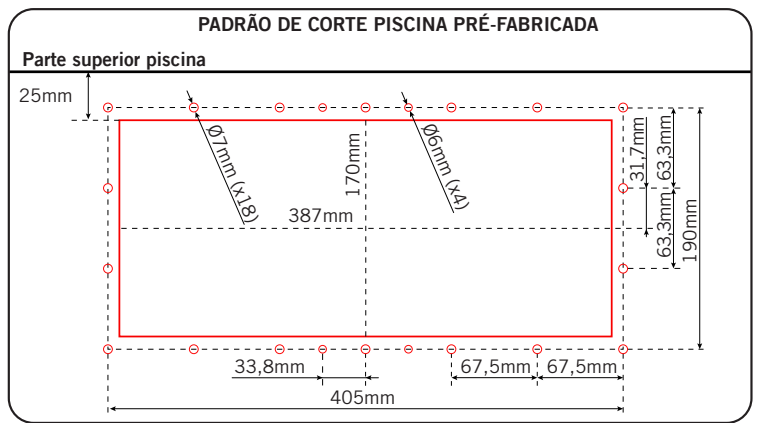
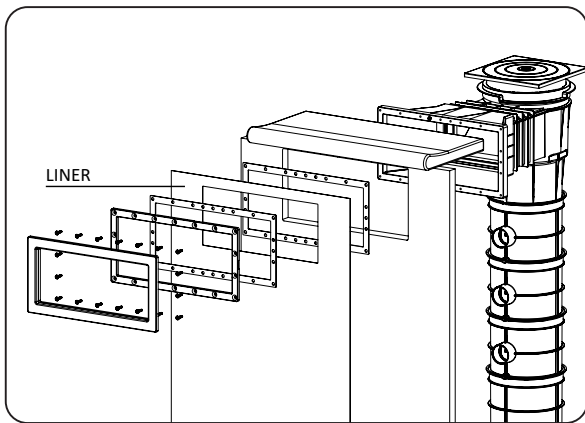
• O skimmer possui uniões laterais para, em caso necessário, instalar uma boquilla de aspiração e assegurar o fluxo constante de água até à bomba. Também podem ser utilizadas como suporte de parede do skimmer.

⚠ Realizar as ligações das boquilhas de aspiração necessárias, seguindo a regulamentação relativa a piscinas vigente no país em questão. As boquilhas devem ser instaladas deixando entre si uma distância de 2 metros, e devem sempre ser coladas em tubos de Ø50 mm.



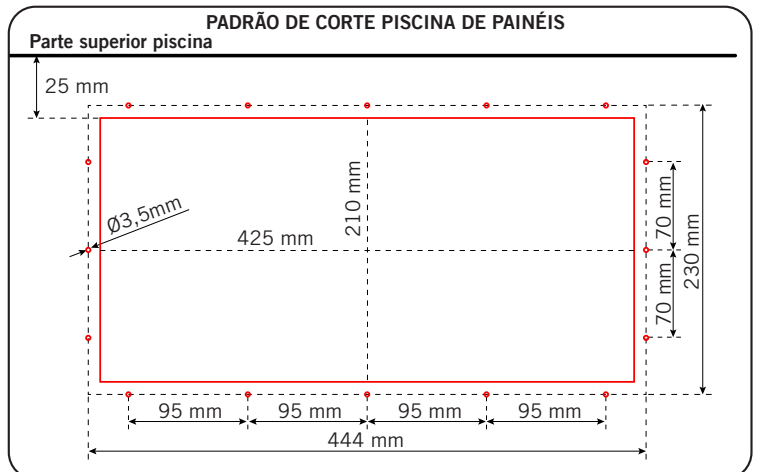
* Boquilhas e tubagens não incluídas com o producto

• O skimmer 73159 tem 2 ligações laterais, o skimmer 73162 tem 3 ligações laterais. Todas as ligações estão tapadas, mas são de fácil abertura, graças a um pré-corte.



PISCINA DE PAINÉIS (73160 / 73163):

• O painel deve ter um orifício de 425x210, com uma distância recomendada de 25 mm entre a parte superior da piscina e a parte superior do orifício.



- Encaixar a boca do skimmer na piscina introduzindo-a pela parte interior da piscina e aparafusar os 16 parafusos.

- Retirar previamente a comporta, colar as duas peças, boca e corpo do skimmer, pela zona indicada no desenho, com a cola fornecida. A zona a colar deve estar devidamente limpa e seca.

- Se for necessário, fixar a base do skimmer ao chão.

- Colocar os grampos tal como se indica no desenho. Deixar passar 24 horas sem manipular/mexer de forma alguma o skimmer. Passadas 24 horas, verificar se a cola está devidamente seca.

O FABRICANTE NÃO SE RESPONSABILIZA PELA COLAGEM REALIZADA PELO INSTALADOR OU PELO CLIENTE.

- Colocar a comporta que tinha retirado anteriormente.

- O skimmer possui uniões laterais para, em caso necessário, instalar um boquilha de aspiração e assegurar o fluxo constante de água até à bomba. Também podem ser utilizadas como suporte de parede do skimmer.

⚠ Realizar as ligações das boquilhas de aspiração necessárias, seguindo a regulamentação relativa a piscinas vigente no país em questão. As boquilhas devem ser instaladas deixando entre si uma distância de 2 metros, e sempre com colagens em tubos de Ø50 mm.

- O skimmer 73160 tem 2 ligações laterais, o skimmer 73163 tem 3 ligações laterais. Todas as ligações estão tapadas, mas são de fácil abertura, graças a um pré-corte.

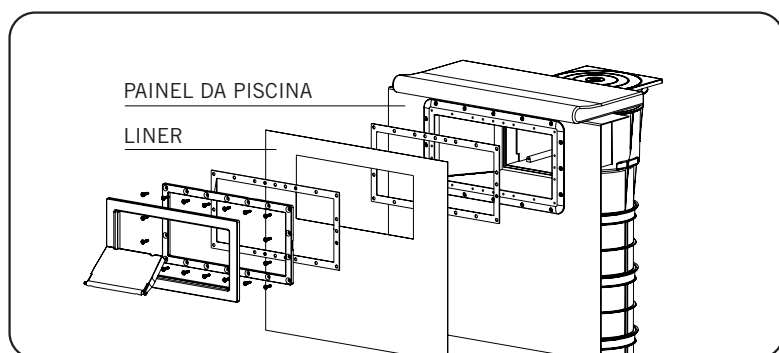
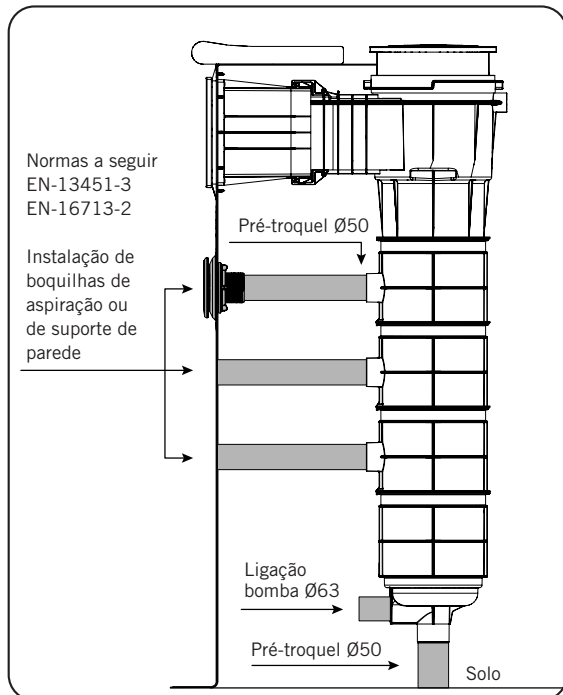
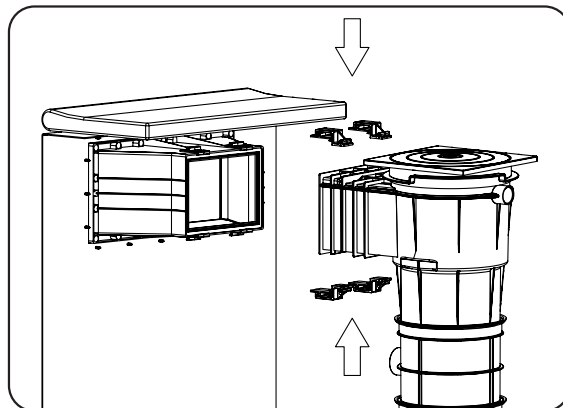
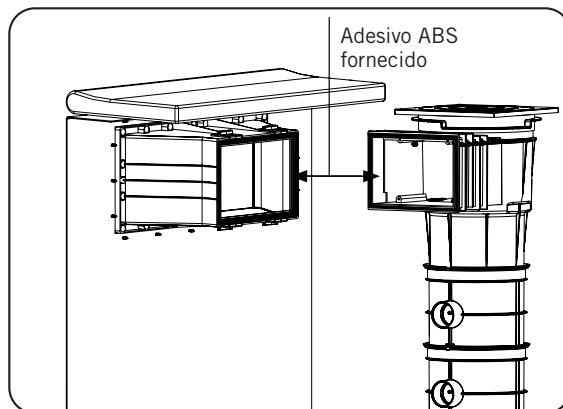
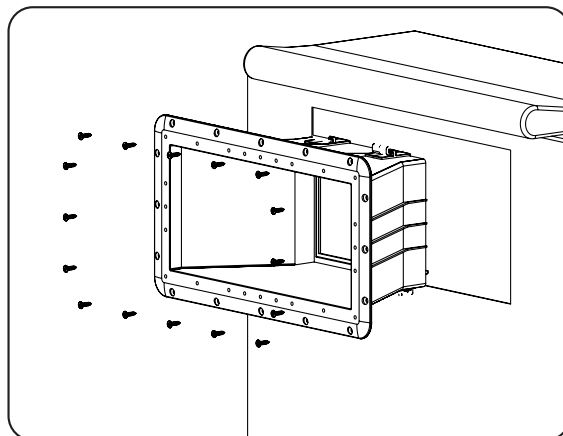
- Seguir a montagem inserindo as diferentes peças: colar uma junta plana à parede interior da piscina; Colocar o Liner na piscina; Colar a outra junta plana.

⚠ Colocar a braçadeira e aparafusá-la com os 18 parafusos DIN 7982 5,5x25mm (A).

- Colocar e encaixar o embelezador.

- A cobertura do skimmer pode ser ajustada em altura e girada, se necessário, para ficar nivelada com o piso externo da piscina.

- Durante o funcionamento, deve assegurar-se de que o nível de água seja suficientemente alto para evitar a absorção de ar. Caso o nível de água seja excessivo, o skimmer conta com uma saída de água para expelir a água restante.



* Boquilhas e tubagens não incluídas com o producto

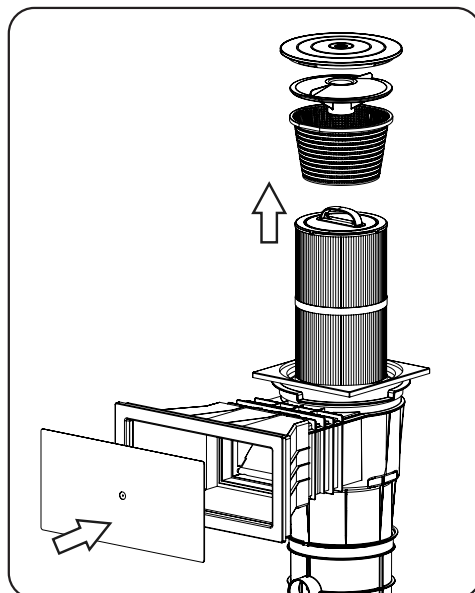
4. LIMPEZA DO CARTUCHO DE FILTRAÇÃO

Retirar o cartucho para proceder à respetiva limpeza

1. Abrir a cobertura do skimmer e retirar o cesto.
2. Depois, realize rapidamente os seguintes passos:
 - 2.1 Colocar o acessório tampa a boca do skimmer até esvaziar a água do corpo do skimmer.
 - 2.2 Extrair o cartucho pela asa.
 - 2.3 Inserir o segundo cartucho fornecido.
 - 2.4 Colocar novamente o cesto.
 - 2.5 Retirar a tampa da boca do skimmer para voltar a encher o corpo de água.

Limpeza do cartucho de filtração

- A limpeza realiza-se uma vez por mês, em média, consoante a frequência de utilização da piscina e do tamanho da mesma.
- Em épocas de muito uso, recomenda-se, no mínimo, uma limpeza por semana.
- Limpar o filtro de cartucho com uma mangueira de jardim com boquilha, com uma inclinação de 45°, e sempre no sentido de cima para baixo, prestando especial atenção para limpar bem a superfície entre as dobras do cartucho.
- Não utilizar mangueiras de pressão, escovas ou qualquer outro elemento mecânico para a eliminação dos restos de sujidade, já que há perigo de rasgar o papel de filtro.
- Se com as indicações anteriores ainda houver sujidade no cartucho, recomenda-se a seguinte operação: num recipiente com 20 l de água, misturar um copo pequeno de detergente (detergente da louça) e pôr o cartucho de molho dentro do recipiente, durante, pelo menos 2 horas. Depois, voltar a passar com a mangueira.
- Se detetar que o cartucho está deteriorado, substitua-o.



⚠ Advertência: Não utilizar floculantes, nem realizar na piscina tratamentos de limpeza com químicos em pó, já que o filtro poderia sobrecarregar-se.

5. EASYCOLOR KIT PARA MUDAR A COR DA BOCA DO SKIMMER (NAO INCLUIDO)

- Dispõe do Kit 73166 para mudar a cor da zona da boca do skimmer, adaptando assim o skimmer à cor da piscina. Tem à escolha a seguintes cores: bege, cinzento ou cinzento antracite.
- O kit é composto por um resguardo para a boca, comporta e embelezador.

6. LIMPA-FUNDOS

- Os skimmers podem também ser utilizados para ligar um limpa-fundos.
- Para ligar o limpa-fundos ao skimmer deve-se colocar a tampa do cesto e colocar a ligação da mangueira do limpa-fundos no orifício central da tampa. Para um funcionamento correto do limpa-fundos, quando se proceder à ligação ao skimmer, dever-se-á regular previamente a válvula de entrada de água na bomba que provém do ralo.
- Se a piscina tiver vários skimmers, será necessário fechar todos os outros skimmers com a tampa do cesto correspondente.

⚠ Advertência: Em piscinas de liner, o encerramento completo dos outros skimmers e dos ralos pode provocar que o limpa-fundos fique pegado ao liner.

Certificado de Garantia

1. CONDIÇÕES GERAIS

- 1.1 De acordo com estas disposições, o vendedor garante que, no momento da entrega, o produto correspondente a esta garantia não apresenta nenhum tipo de falta de conformidade.
- 1.2 O Período de Garantia para o Produto é de dois (2) anos, contados a partir da data de entrega ao comprador.
- 1.3 Se, durante o Período de Garantia, o comprador notificar ao vendedor alguma falta de conformidade do Produto, o vendedor deverá reparar ou substituir o Produto por sua conta no lugar onde considerar conveniente, salvo se isso for impossível ou desmesurado.
- 1.4 Quando não for possível reparar ou substituir o Produto, o comprador poderá solicitar uma redução proporcional do preço ou, se a falta de conformidade for o suficientemente grave, a rescisão do contrato de venda.
- 1.5 As partes substituídas ou reparadas em virtude desta garantia não ampliarão o período de garantia do Produto original, porém disporão de uma garantia própria.
- 1.6 Para que a presente garantia tenha efeito, o comprador deverá apresentar o comprovante da data de compra e de entrega do Produto.
- 1.7 Se o comprador alegar uma falta de conformidade do Produto, passados mais de seis meses da data de entrega do mesmo, deverá demonstrar a origem e a existência do defeito alegado.
- 1.8 O presente Certificado de Garantia não limita nem afecta os direitos dos consumidores derivados das normas nacionais de carácter imperativo.

2. CONDIÇÕES PARTICULARES

- 2.1 A presente garantia cobre os seguintes produtos e famílias de produtos: SKIMMER FILTRANT.
- 2.2 Para a eficácia desta garantia, o comprador deverá seguir rigorosamente as indicações do Fabricante contidas na documentação fornecida com o Produto, quando a mesma for aplicável em função da gama e do modelo do Produto.
- 2.3 No caso de se estabelecer um calendário para a substituição, manutenção ou limpeza de determinadas peças ou componentes do Produto, a garantia só será válida se o citado calendário tiver sido cumprido rigorosamente.

3. LIMITAÇÕES

- 3.1 A presente garantia só será válida para as vendas realizadas a consumidores, entendendo-se por “consumidor” a pessoa que comprar o Produto com fins não abrangidos no âmbito da sua actividade profissional.
- 3.2 A garantia não cobre o desgaste normal derivado do uso do produto. Em relação às peças, componentes e/ou materiais fungíveis ou consumíveis como areia, anilhas, etc. terá efeito o disposto na documentação fornecida com o Produto, em cada caso.
- 3.3 A garantia não cobre as seguintes situações: (I) se o Produto tiver sido objecto de um uso incorrecto; (II) tiver sido inspeccionado, reparado, sofrido manutenção ou manipulado por pessoas não autorizadas; (III) tiver sido reparado ou as suas peças substituídas por peças não originais ou (IV) tiver sido instalado ou colocado em funcionamento de forma incorrecta.
- 3.4 Quando a falta de conformidade do Produto for consequência de uma instalação ou colocação em funcionamento incorrecta, a presente garantia só será válida se a referida instalação ou colocação em funcionamento estiver incluída no contrato de compra-venda do Produto e tiver sido realizada pelo vendedor ou sob sua responsabilidade.
- 3.5 Danos ou falhas do filtro devido à exposição a temperaturas inferiores a 0°C (32°F) ou superiores a 35°C (95°F).
- 3.6 Danos ou falhas do filtro produzidos por golpes de aríete ou pelo sobredimensionamento das bombas do sistema de filtração.
- 3.7 Danos ou avarias do cartucho devido a golpes de ariete ou como consequência de um sobredimensionamento das bombas do sistema de filtração, limpeza a alta pressão, limpeza com lixívia ou outros líquidos químicos de alta concentração.



ΣΗΜΑΝΤΙΚΟ: Το εγχειρίδιο οδηγιών που έχετε στα χέρια σας περιλαμβάνει σημαντικές πληροφορίες για τα μέτρα ασφαλείας που πρέπει να υλοποιηθούν κατά την εγκατάσταση και έναρξη χρήσης του εξοπλισμού. Συνεπώς, το άτομο που πραγματοποιεί την εγκατάσταση, όπως επίσης και ο χρήστης, πρέπει να διαβάσουν τις οδηγίες αυτές πριν από την έναρξη της εγκατάστασης και της χρήσης. Φυλάξτε αυτό το εγχειρίδιο για να μπορείτε να το συμβουλευέστε στο μέλλον.

Ακολουθήστε τις οδηγίες παρακάτω για να πετύχετε βέλτιστα αποτελέσματα με τον ξαφριστή (skimmer):

	16 m ³ /h	20 m ³ /h
Πισίνα από σκυρόδεμα	73158	73161
Προκατασκευασμένη πισίνα / πολυεστέρας / επένδυση	73159	73162
Πισίνα με πάνελ	73160	73163

ΣΗΜΑΝΤΙΚΟ - ΠΡΟΕΙΔΟΠΟΙΗΣΗ ΑΣΦΑΛΕΙΑΣ

- Το skimmer μπορεί να φτάσει σε μέγιστο επίπεδο απορρόφησης 20 m³/h.
- Είναι σημαντικό η στάθμη του νερού της πισίνας να καλύπτει τα 3/4 του στομίου του skimmer.
- Το skimmer πρέπει να εγκατασταθεί από εξειδικευμένο τεχνικό.
- Μην προσθέτετε δισκία χλωρίου ή βρωμίου στο καλάθι του skimmer.
- Το προϊόν περιέχει εξαρτήματα από ABS, τα οποία μπορεί να υποστούν φθορά από τις χημικές ουσίες. Χρησιμοποιείτε μόνο κολλητικά υλικά PVC. Ο κατασκευαστής δεν αποδέχεται καμία ευθύνη αναφορικά με τη χρήση άλλων προϊόντων, όπως κολλητικών, στεγανωτικών, υλικών πλήρωσης, κολλητικών σιλικόνης, μαστιχών, κτλ.

1. ΕΛΕΓΞΤΕ ΤΑ ΠΕΡΙΕΧΟΜΕΝΑ ΤΗΣ ΣΥΣΚΕΥΑΣΙΑΣ

Στο εσωτερικό της συσκευασίας θα βρείτε τα ακόλουθα εξαρτήματα:

Κωδικοί 73158 / 73161

- 1 skimmer
- 2 φυσίγγια
- Εγχειρίδιο εγκατάστασης

Κωδικοί 73159* / 73160 / 73162* / 73163

- 1 skimmer
- 1 κολλητικό κιτ
- 2 φυσίγγια
- Σάκος με βίδες 25 mm (A)
- Σάκος με βίδες 32 mm (B)*
- Εγχειρίδιο εγκατάστασης

2. ΓΕΝΙΚΑ ΧΑΡΑΚΤΗΡΙΣΤΙΚΑ

Η ειδική λειτουργία του skimmer συνίσταται στον καθαρισμό ρύπων από την επιφάνεια του νερού. Για τον λόγο αυτό, συνιστάται η εκτέλεση ενός προκαταρκτικού ελέγχου του προσανατολισμού της πισίνας σας πριν από την κατασκευή και ο προσανατολισμός του skimmer προς τους επικρατούντες ανέμους.

Ως γενικός κανόνας, ο skimmer πρέπει να τοποθετείται κατά πλάτος της πισίνας και πάνω από το βαθύτερο σημείο.

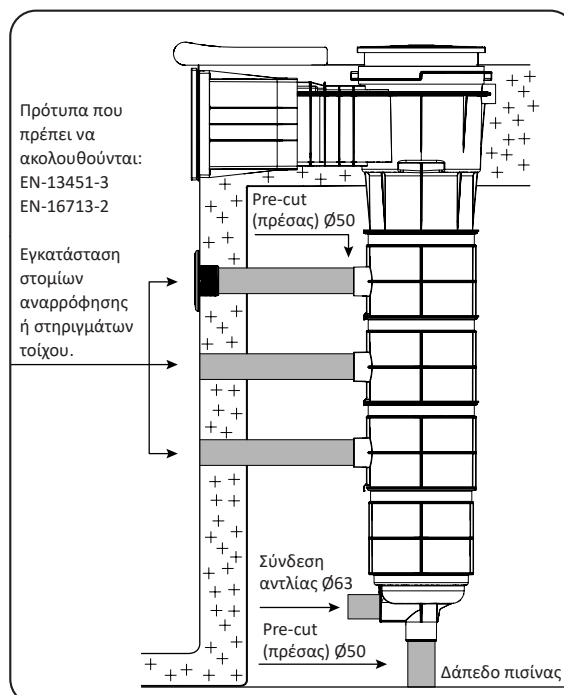
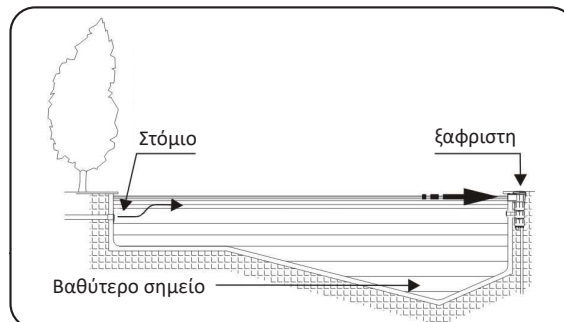
3. ΕΓΚΑΤΑΣΤΑΣΗ ΚΑΙ ΣΥΝΑΡΜΟΛΟΓΗΣΗ

ΠΡΟΕΙΔΟΠΟΙΗΣΗ: Έχετε υπόψη σας ότι το skimmer μπορεί να φτάσει σε μέγιστο επίπεδο απορρόφησης 20 m³/h.

ΠΙΣΙΝΑ ΑΠΟ ΣΚΥΡΟΔΕΜΑ (73158 / 73161):

- Προσαρτήστε το skimmer στο τοίχωμα της πισίνας.
- Εάν χρειαστεί, στερεώστε τη βάση του skimmer στο έδαφος.
- Το skimmer έχει πλευρικές συνδέσεις για προσαρμογή, εάν αυτό είναι απαραίτητο, ένα ακροφύσιο αναρρόφησης και διασφάλιση σταθερού ρυθμού ροής νερού προς την αντλία. Μπορούν επίσης να χρησιμοποιηθούν για την ανάρτηση του skimmer σε τοίχο.

ΠΡΟΕΙΔΟΠΟΙΗΣΗ: Πραγματοποιήστε τις απαραίτητες συνδέσεις στα ακροφύσια αναρρόφησης, τηρώντας τους κανονισμούς που ισχύουν στη χώρα σας για τις πισίνες. Τα ακροφύσια πρέπει να εγκαθίστανται με απόσταση 2 μέτρων μεταξύ τους και να προσκολλώνται πάντα σε σωλήνες Ø50 mm.



Τα ακροφύσια και οι σωλήνες δεν περιλαμβάνονται με το προϊόν.

• Το skimmer 73158 διαθέτει 2 πλευρικές συνδέσεις και το skimmer 73161 διαθέτει 3 πλευρικές συνδέσεις. Όλες οι συνδέσεις καλύπτονται, αλλά ανοίγουν εύκολα χάρη στη διάτρηση.

• Το κάλυμμα του skimmer μπορεί να ρυθμιστεί ως προς το ύψος και να περιστραφεί, αν αυτό χρειάζεται, ώστε να ευθυγραμμιστεί με το εξωτερικό χείλος της πισίνας.

ΠΡΟΚΑΤΑΣΚΕΥΑΣΜΕΝΗ ΠΙΣΙΝΑ/ΠΟΛΥΕΣΤΕΡΑΣ/ΕΠΕΝΔΥΣΗ (73159 / 73162):

• Το skimmer πρέπει να εγκατασταθεί στο πίσω μέρος της πισίνας.

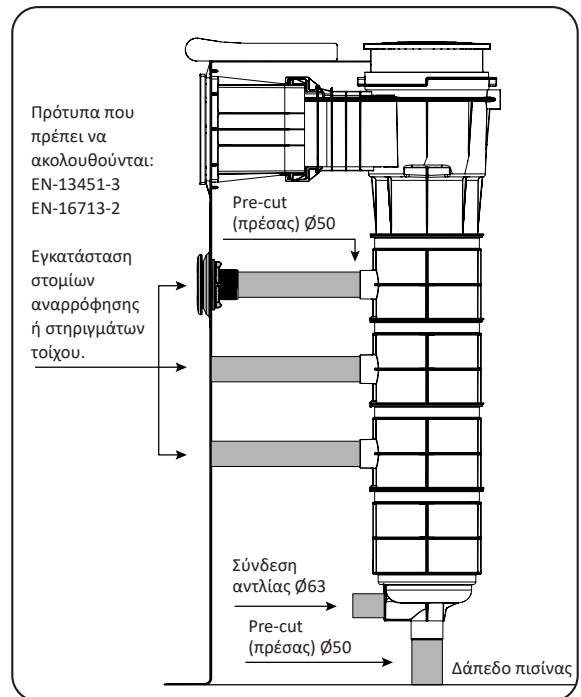
• Πρέπει να ανοιχθεί μια οπή 387x170 mm εκ των προτέρων στην πισίνα. Συνιστούμε μια απόσταση 25 mm ανάμεσα στο επάνω μέρος της πισίνας και το επάνω μέρος της οπής.

⚠ Τοποθετήστε την φλάντζα στη θέση της και βιδώστε την χρησιμοποιώντας τις βίδες 18 DIN 7982 5,5x25mm (A) ή 5,5x32mm (B), ανάλογα με το πάχος του πάνελ της πισίνας. Βεβαιωθείτε ότι ο το skimmer δεν έχει τρυπήσει στο πίσω μέρος των περιβλημάτων των βιδών.

• Εάν χρειαστεί, στερεώστε τη βάση του skimmer στο έδαφος.

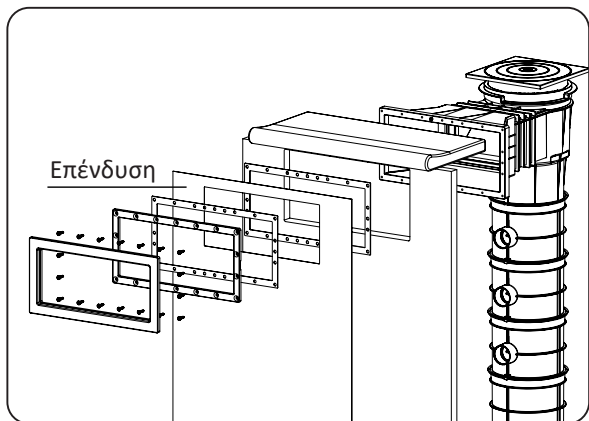
• Το skimmer έχει πλευρικές συνδέσεις για προσαρμογή, εάν αυτό είναι απαραίτητο, ένα ακροφύσιο αναρρόφησης και διασφάλιση σταθερού ρυθμού ροής νερού προς την αντλία. Μπορούν επίσης να χρησιμοποιηθούν για την ανάρτηση του skimmer σε τοίχο.

⚠ Πραγματοποιήστε τις απαραίτητες συνδέσεις στα ακροφύσια αναρρόφησης, τηρώντας τους κανονισμούς που ισχύουν στη χώρα σας για τις πισίνες. Τα ακροφύσια πρέπει να εγκαθίστανται με απόσταση 2 μέτρων μεταξύ τους και να προσκολλώνται πάντα σε σωλήνες $\varnothing 50$ mm.



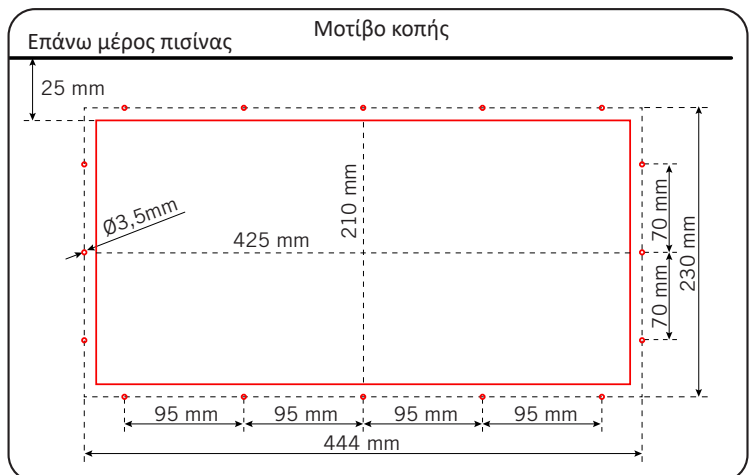
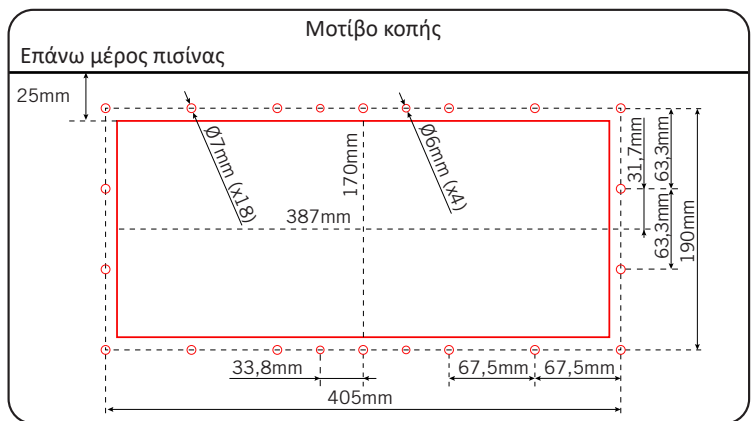
Τα ακροφύσια και οι σωλήνες δεν περιλαμβάνονται με το προϊόν.

• Το skimmer 73159 διαθέτει 2 πλευρικές συνδέσεις και το skimmer 73162 διαθέτει 3 πλευρικές συνδέσεις. Όλες οι συνδέσεις καλύπτονται, αλλά ανοίγουν εύκολα χάρη στη διάτρηση.



ΠΙΣΙΝΑ ΑΠΟ ΠΑΝΕΛ (73160 / 73163):

• Το πάνελ πρέπει να διαθέτει μια οπή 425x210 mm. Συνιστούμε μια απόσταση της τάξης των 25 mm ανάμεσα στην κορυφή της πισίνας και την κορυφή της οπής.



- Προσαρμόστε το στόμιο στην πισίνα, εισάγοντάς το στο εσωτερικό της πισίνας και σφίγγοντας τις 16 βίδες.

- Αρχικά αφαιρέστε το πτερύγιο, κολλήστε το στόμιο και τα μέρη του κυρίως σώματος του skimmer που υποδεικνύονται στο διάγραμμα, χρησιμοποιώντας την παρεχόμενη κολλητική ουσία. Η περιοχή πρέπει να είναι καθαρή και στεγνή.

- Εάν χρειαστεί, στερεώστε τη βάση του skimmer στο έδαφος.

- Τοποθετήστε τους βραχίονες όπως απεικονίζεται στο διάγραμμα. Μη χρησιμοποιήσετε το skimmer για 24 ώρες. Μετά από 24 ώρες, βεβαιωθείτε ότι η κολλητική ουσία έχει στεγνώσει πλήρως.

Ο ΚΑΤΑΣΚΕΥΑΣΤΗΣ ΔΕΝ ΑΠΟΔΕΧΕΤΑΙ ΚΑΜΙΑ ΕΥΘΥΝΗ ΓΙΑ ΤΟ ΚΟΛΛΗΜΑ ΠΟΥ ΕΚΤΕΛΕΙΤΑΙ ΑΠΟ ΤΟΝ ΤΕΧΝΙΚΟ ΕΓΚΑΤΑΣΤΑΣΗΣ Η ΤΟΝ ΠΕΛΑΤΗ.

- Επανατοποθετήστε το πτερύγιο που αφαιρέσατε προηγουμένως.

- Το skimmer έχει πλευρικές συνδέσεις για προσαρμογή, εάν αυτό είναι απαραίτητο, ένα ακροφύσιο αναρρόφησης και διασφάλιση σταθερού ρυθμού ροής νερού προς την αντλία. Μπορούν επίσης να χρησιμοποιηθούν για την ανάρτηση του skimmer σε τοίχο.

⚠️ Πραγματοποιήστε τις απαραίτητες συνδέσεις στα ακροφύσια αναρρόφησης, τηρώντας τους κανονισμούς που ισχύουν στη χώρα σας για τις πισίνες. Τα ακροφύσια πρέπει να εγκαθίστανται με απόσταση 2 μέτρων μεταξύ τους και να προσκολλώνται πάντα σε σωλήνες $\varnothing 50$ mm.

- Το skimmer 73160 διαθέτει 2 πλευρικές συνδέσεις και το skimmer 73163 διαθέτει 3 πλευρικές συνδέσεις. Όλες οι συνδέσεις καλύπτονται, αλλά ανοίγουν εύκολα χάρη στη διάτρηση.

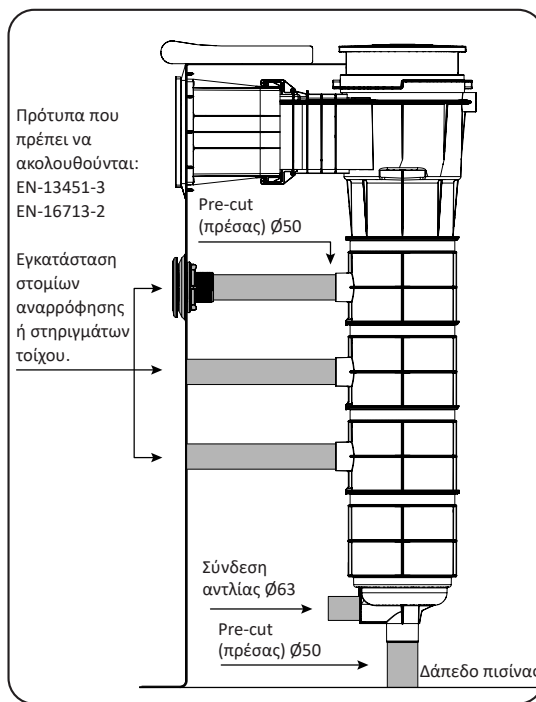
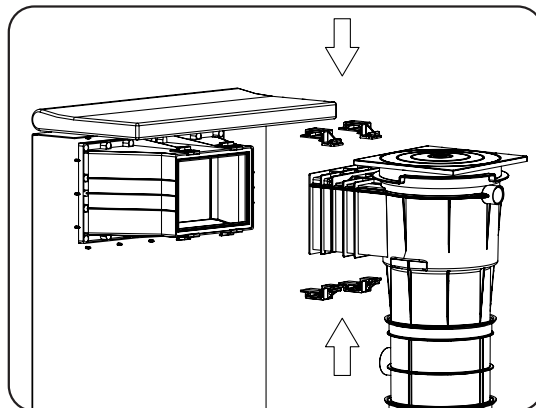
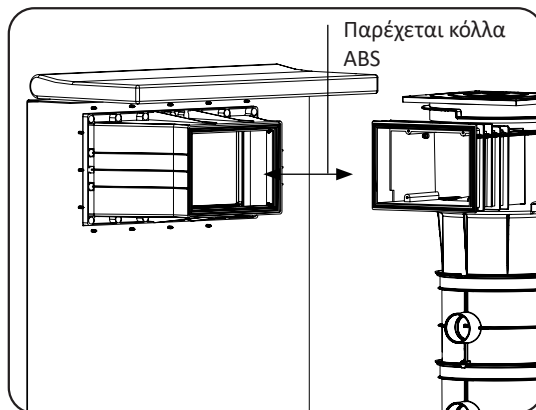
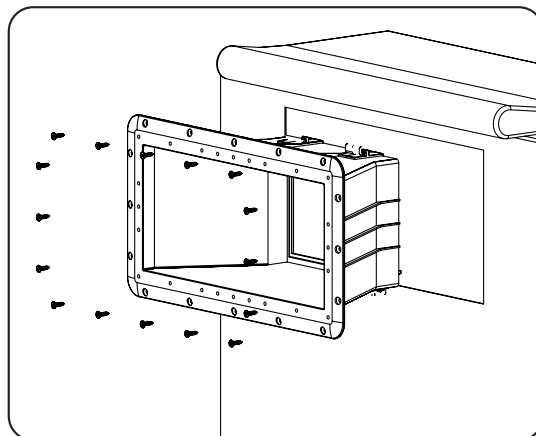
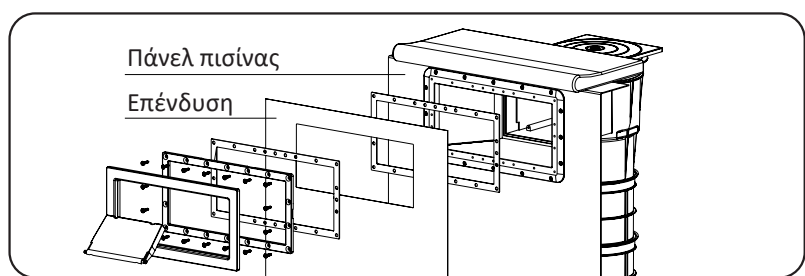
- Συνεχίστε τη συναρμολόγηση εισάγοντας τα διάφορα εξαρτήματα: κολλήστε ένα επίπεδο στεγανωτικό στο εσωτερικό τοίχωμα της πισίνας, τοποθετήστε την επένδυση στην πισίνα και κολλήστε το άλλο στεγανωτικό.

⚠️ Τοποθετήστε την φλάντζα στη θέση της και βιδώστε την χρησιμοποιώντας τις βίδες 18 DIN 7982 5,5x25mm (A).

- Κουμπώστε την πλάκα πρόσοψης στη θέση της.

- Το κάλυμμα του skimmer μπορεί να ρυθμιστεί ως προς το ύψος και να περιστραφεί, αν αυτό χρειάζεται, ώστε να ευθυγραμμιστεί με το εξωτερικό χείλος της πισίνας.

- Κατά τη διάρκεια της λειτουργίας, βεβαιωθείτε ότι η στάθμη του νερού είναι αρκετά υψηλή ώστε να αποφεύγεται η απορρόφηση αέρα. Σε περίπτωση που η στάθμη του νερού είναι πολύ υψηλή, προβλέπεται η εγκατάσταση στομίου εισροής νερού για την απομάκρυνση της περίσσειας ποσότητας νερού.



Τα ακροφύσια και οι σωλήνες δεν περιλαμβάνονται με το προϊόν.

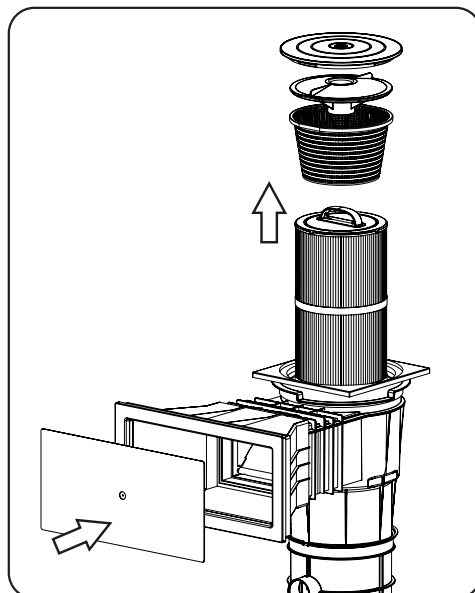
4. ΚΑΘΑΡΙΣΜΟΣ ΦΥΣΙΓΓΙΟΥ ΦΙΛΤΡΟΥ

Αφαιρέστε το φυσιγγίο για καθαρισμό

1. Ανοίξτε το κάλυμμα του skimmer και αφαιρέστε το καλάθι.
2. Σε αυτό το σημείο, εκτελέστε γρήγορα τα ακόλουθα βήματα:
 - 2.1 Τοποθετήστε το κάλυμμα του στομίου του skimmer μέχρι το νερό να αποστραγγιστεί από το κυρίως σώμα του skimmer.
 - 2.2 Αφαιρέστε το φυσιγγίο χρησιμοποιώντας τη λαβή.
 - 2.3 Τοποθετήστε το φυσιγγίο.
 - 2.4 Επανατοποθετήστε το καλάθι.
 - 2.5 Αφαιρέστε το κάλυμμα του skimmer για να γεμίσει ξανά το σώμα με νερό.

Καθαρισμός του φυσιγγίου του φίλτρου

- Ο καθαρισμός πραγματοποιείται μία φορά τον μήνα κατά μέσο όρο, ανάλογα με το μέγεθος και τη συχνότητα χρήσης της πισίνας.
- Κατά τη διάρκεια περιόδων βαριάς χρήσης, συνιστάται καθαρισμός μία φορά την εβδομάδα.
- Καθαρίστε το φίλτρο του cartridge με μια μάνικα κήπου μακροφύσιο, ψεκάζοντας υπό γωνία 45° με κίνηση πάνω-κάτω και επιδεικνύοντας ιδιαίτερη προσοχή στον καθαρισμό της επιφάνειας ανάμεσα στις πτυχώσεις του cartridge.
- Μη χρησιμοποιείτε μάνικες υπό πίεση, βούρτσες ή οποιοδήποτε άλλο μηχανικό εξάρτημα για την αφαίρεση ρύπων, καθώς υπάρχει κίνδυνος να σκιστεί το χάρτινο φίλτρο.
- Εάν εξακολουθούν να υπάρχουν ρύποι μετά τον καθαρισμό του φίλτρου με ψεκασμό, συνιστούμε τα εξής: αναμίξτε 20 λίτρα νερού σε ένα δοχείο με μικρή ποσότητα υγρού σαπουνιού πιάτων και μουλιάστε το cartridge στο διάλυμα για τουλάχιστον δύο ώρες και, στη συνέχεια, ψεκάστε την ξανά με μια μάνικα.
- Αντικαταστήστε το cartridge εάν φαίνεται φθαρμένο.



⚠ Προειδοποίηση: Μη χρησιμοποιείτε κροκιδωτικά ή ουσίες χημικού καθαρισμού σε μορφή σκόνης, καθώς μπορεί να προκληθεί δυσλειτουργία στο φίλτρο.

5. ΚΙΤ ΑΛΛΑΓΗΣ ΧΡΩΜΑΤΟΣ ΣΤΟΜΙΟΥ

- Το κιτ 73166 σας δίνει τη δυνατότητα να αλλάξετε το χρώμα της περιοχής του στομίου του skimmer, για να ταιριάζει με το χρώμα της πισίνας σας. Μπορείτε να επιλέξετε ανάμεσα σε μπλε, γκρι ή ανθρακί.
- Το κιτ αποτελείται από ένα κάλυμμα στομίου, ένα πτερύγιο και ένα αντισταθμιστικό.

6. ΚΑΘΑΡΙΣΤΕΣ ΠΙΣΙΝΑΣ

- Οι ξαφριστές μπορούν επίσης να χρησιμοποιηθούν ως σύνδεσμος για το καθαριστή της πισίνας σας.
- Για να συνδέσετε τον καθαριστή σας στον ξαφριστή, προσαρμόστε το κάλυμμα του καλαθιού και εισαγάγετε τον σύνδεσμο του σωλήνα του καθαριστή στην οπή που βρίσκεται στο μέσον του καλύμματος. Για να βεβαιωθείτε ότι ο καθαριστής της πισίνας λειτουργεί σωστά όταν είναι συνδεδεμένος στον ξαφριστή, πρέπει πρώτα να προσαρμόσετε τη βαλβίδα εισαγωγής νερού στην αντλία από την αποστράγγιση.
- Εάν η πισίνα διαθέτει πολλούς ξαφριστές, οι υπόλοιποι ξαφριστές πρέπει να έχουν κλείσει με το κατάλληλο κάλυμμα καλαθιού.

⚠ Προειδοποίηση: Σε πισίνες με επένδυση, το ολοκληρωτικό κλείσιμο των υπόλοιπων skimmer και αποστραγγίσεων μπορεί να προκαλέσει το κόλλημα του καθαριστή στην επένδυση.

1. ΓΕΝΙΚΟΙ ΟΡΟΙ

- 1.1 Σύμφωνα με αυτές τις διατάξεις, ο πωλητής εγγυάται ότι το προϊόν που σχετίζεται με την παρούσα εγγύηση είναι σε άριστη κατάσταση κατά την παράδοσή του.
- 1.2 Η περίοδος ισχύος της εγγύησης για το προϊόν είναι δύο (2) έτη από την ημερομηνία παράδοσής του στον αγοραστή.
- 1.3 Σε περίπτωση ελαττώματος του προϊόντος, το οποίο θα γνωστοποιηθεί από τον αγοραστή στον πωλητή κατά τη διάρκεια της περιόδου ισχύος της εγγύησης, ο πωλητής είναι υποχρεωμένος να επισκευάσει ή να αντικαταστήσει το προϊόν με δικά του έξοδα και όπου αυτός θεωρεί ενδεδειγμένο, εκτός αν αυτό είναι ανέφικτο ή δυσανάλογο.
- 1.4 Εάν δεν είναι εφικτή η επισκευή ή αντικατάσταση του προϊόντος, ο αγοραστής μπορεί να ζητήσει μια αναλογική μείωση της τιμής ή, σε περίπτωση αρκούντως σημαντικής βλάβης, τον τερματισμό της σύμβασης πώλησης.
- 1.5 Τα εξαρτήματα που αντικαθίστανται ή επισκευάζονται δυνάμει της παρούσας εγγύησης, δεν παρατείνουν την περίοδο ισχύος της εγγύησης του αρχικού προϊόντος, αλλά θα συνοδεύονται από ξεχωριστή εγγύηση.
- 1.6 Για να τεθεί σε ισχύ η παρούσα εγγύηση, ο αγοραστής πρέπει να προσκομίσει ένα αποδεικτικό της ημερομηνίας αγοράς και παράδοσης του προϊόντος.
- 1.7 Εάν, μετά το πέρας έξι μηνών από την παράδοση του προϊόντος στον αγοραστή, ο αγοραστής ειδοποιήσει σχετικά με κάποιο ελάττωμα στο προϊόν, θα πρέπει να παράσχει αποδείξεις για την προέλευση και την ύπαρξη του εν λόγω ελαττώματος.
- 1.8 Το παρόν πιστοποιητικό εγγύησης εκδίδεται μετ' επιφυλάξεως των δικαιωμάτων των καταναλωτών, δυνάμει των εθνικών κανονισμών.

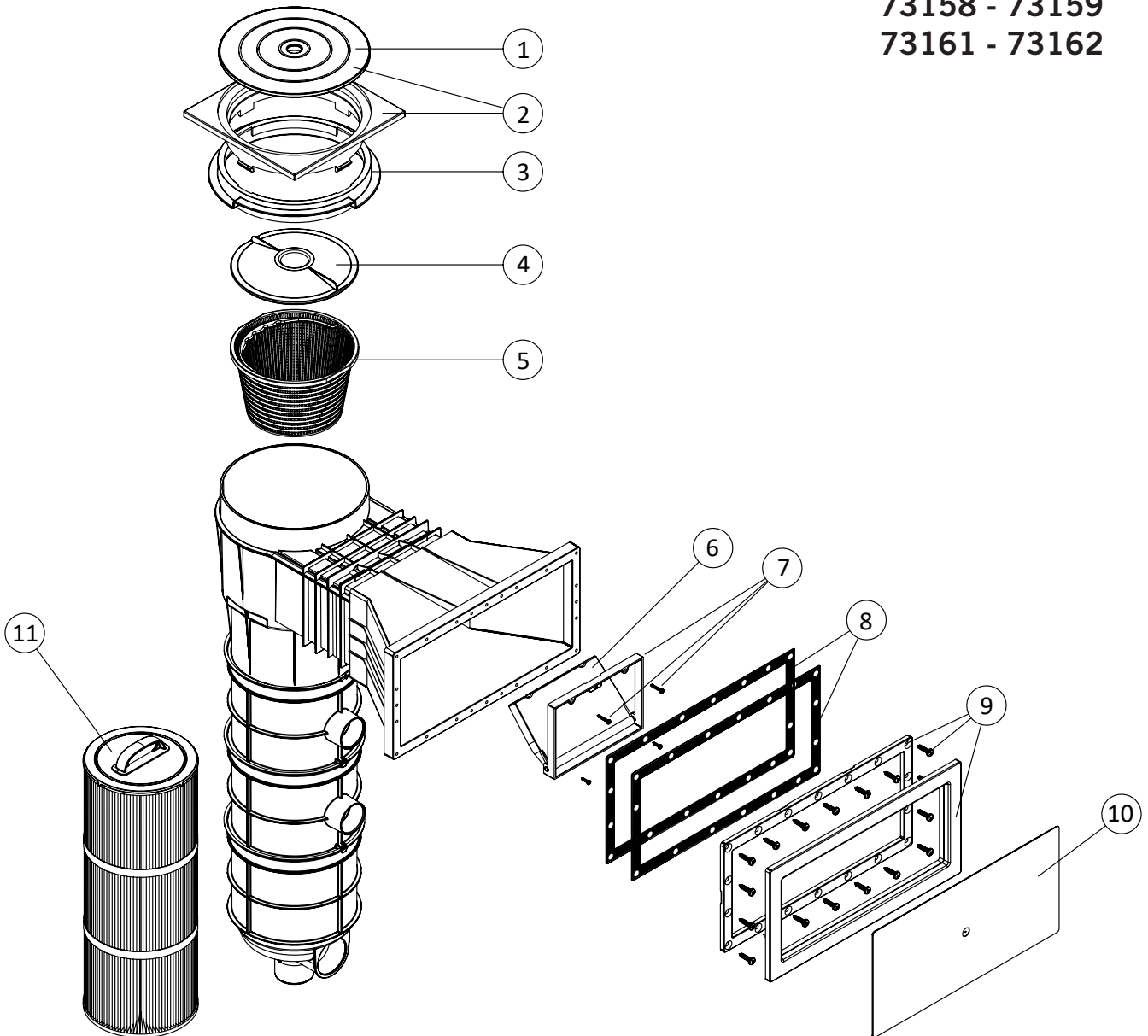
2. ΜΕΜΟΝΩΜΕΝΟΙ ΟΡΟΙ

- 2.1 Η παρούσα εγγύηση καλύπτει τα ακόλουθα προϊόντα: ΦΙΑΤΡΟ SKIMMER.
- 2.2 Για να ισχύσει η παρούσα εγγύηση, ο αγοραστής πρέπει να ακολουθεί αυστηρά τις οδηγίες του κατασκευαστή, οι οποίες περιλαμβάνονται στα έγγραφα τεκμηρίωσης που παρέχονται με το προϊόν, στις περιπτώσεις όπου αυτές ισχύουν, ανάλογα με τη σειρά και το μοντέλο του προϊόντος.
- 2.3 Όταν ορίζεται ένα χρονοδιάγραμμα για την αντικατάσταση, τη συντήρηση ή τον καθαρισμό συγκεκριμένων μερών ή εξαρτημάτων του προϊόντος, η εγγύηση θα ισχύει μόνο εάν έχει τηρηθεί το εν λόγω χρονοδιάγραμμα.

3. ΠΕΡΙΟΡΙΣΜΟΙ

- 3.1. Η εγγύηση αυτή θα ισχύει μόνο για πωλήσεις που πραγματοποιούνται σε καταναλωτές, όπου ο «καταναλωτής» ορίζεται ως ένα άτομο που αγοράζει το προϊόν για σκοπούς που δεν σχετίζονται με τις επαγγελματικές του δραστηριότητες.
- 3.2. Η φυσιολογική φθορά που προκύπτει από τη χρήση του προϊόντος δεν καλύπτεται από την εγγύηση. Όσον αφορά τα αναλώσιμα μέρη, εξαρτήματα ή/και υλικά, όπως οι μπαταρίες, οι λυχνίες κ.λπ., θα ισχύουν οι διατάξεις που περιγράφονται στα έγγραφα τεκμηρίωσης που παρέχονται με το προϊόν.
- 3.3. Η εγγύηση δεν καλύπτει τις περιπτώσεις στις οποίες το προϊόν: (I) έχει υποβληθεί σε μη ενδεδειγμένο χειρισμό, (II) έχει επισκευαστεί, υποστεί εργασίες συντήρησης ή χειρισμό από μη εξουσιοδοτημένο άτομο, ή (III) έχει υποβληθεί σε εργασίες επισκευής ή συντήρησης χωρίς χρήση γνήσιων ανταλλακτικών.
- 3.4. Σε περιπτώσεις όπου το ελάττωμα του προϊόντος είναι αποτέλεσμα εσφαλμένης εγκατάστασης ή θέσης σε λειτουργία, η εγγύηση αυτή θα ισχύει μόνο εάν η εν λόγω εγκατάσταση ή θέση σε λειτουργία περιλαμβάνεται στη σύμβαση πώλησης του προϊόντος και έχει εκτελεστεί από τον πωλητή ή υπό την ευθύνη του.
- 3.5. Βλάβες ή ελαττώματα του φίλτρου που οφείλονται σε έκθεση σε θερμοκρασίες κάτω από 0°C (32°F) ή πάνω από 35°C (95°F).
- 3.6. Βλάβες ή ελαττώματα του φίλτρου που προκαλούνται από προσκρούσεις ή ως αποτέλεσμα χρήσης μεγαλύτερου μεγέθους αντλιών συστήματος φιλτραρίσματος.
- 3.7. Βλάβη ή δυσλειτουργία της κασέτας λόγω κρούσης ύδατος ή ως αποτέλεσμα της χρήσης μεγαλύτερου μεγέθους αντλιών συστήματος φιλτραρίσματος, του καθαρισμού με υψηλή πίεση, του καθαρισμού με χλωρίνη ή άλλες εξαιρετικά συμπυκνωμένες υγρές χημικές ουσίες.

73158 - 73159
73161 - 73162



ENGLISH

N°	CODE	DESCRIPTION	73158	73159	73161	73162	Q
1	4402013809	Circular skimmer lid	X	X	X	X	1
2	4402013807	Square rim and lid	X	X	X	X	1
3	4402010506	Collar extension ring	X	X	X	X	1
4	4402010505	Vacuum plate	X	X	X	X	1
5	4402010504	Basket 17,5 litres	X	X	X	X	1
6	4402010501	Skimmer flap	X	X	X	X	1
7	4402010508	Flap frame	X	X	X	X	1
8	4402010407	Large skimmer gaskets for liner		X		X	2
9	4402010154	Concrete skimmer frame	X		X		1
9	4402012012	Skimmer frame P.P.		X		X	1
9	4402010169*	Skimmer frame P.P.		X		X	1
10	4402010153	Cartridge skimmer cover protection	X	X	X	X	1
11	73164	Cartridge 16	X	X			2
11	73165	Cartridge 20			X	X	2

* Polyester pool

FRANÇAIS

N°	CODE	DESCRIPTION	73158	73159	73161	73162	Q
1	4402013809	Couvercle rond skimmer	X	X	X	X	1
2	4402013807	Cadre et couvercle rond	X	X	X	X	1
3	4402010506	Cadre rehausse couvercle	X	X	X	X	1
4	4402010505	Couvercle panier skimmer	X	X	X	X	1
5	4402010504	Panier skimmer 17,5 lts	X	X	X	X	1
6	4402010501	Volet de skimmer	X	X	X	X	1
7	4402010508	Cadre volet skimmer	X	X	X	X	1
8	4402010407	Joint skim grand mod piscine liner		X		X	2
9	4402010154	Cadre bouche skimmer piscine beton	X		X		1
9	4402012012	Cadre bouche skimmer P.P.		X		X	1
9	4402010169*	Cadre bouche skimmer P.P.		X		X	1
10	4402010153	Protection de couverture sk cartouche	X	X	X	X	1
11	73164	Cartouche 16	X	X			2
11	73165	Cartouche 20			X	X	2

* Piscine polyester

ESPAÑOL

N°	CÓDIGO	DESCRIPCIÓN	73158	73159	73161	73162	Q
1	4402013809	Tapa circular skimmer	X	X	X	X	1
2	4402013807	Marco cuadrado y tapa	X	X	X	X	1
3	4402010506	Anillo distanciador skimmer	X	X	X	X	1
4	4402010505	Tapa cesto skimmer	X	X	X	X	1
5	4402010504	Cesto skimmer 17,5 lts.	X	X	X	X	1
6	4402010501	Compuerta skimmer con clip	X	X	X	X	1
7	4402010508	Marco compuerta skimmer	X	X	X	X	1
8	4402010407	Junta skimmer grande Pisc. Pref.		X		X	2
9	4402010154	Marco boca skimmer Pisc. Horm.	X		X		1
9	4402012012	Marco boca skimmer Pisc. Pref.		X		X	1
9	4402010169*	Marco boca skimmer Pisc. Pref.		X		X	1
10	4402010153	Tapa proteccion skimmer cartucho	X	X	X	X	1
11	73164	Cartucho 16	X	X			2
11	73165	Cartucho 20			X	X	2

* Piscina poliéster

ITALIANO

N°	CODICE	DESCRIZIONE	73158	73159	73161	73162	Q
1	4402013809	Coperchio tondo skimmer	X	X	X	X	1
2	4402013807	Flangia quadrata e coperchio	X	X	X	X	1
3	4402010506	Anello distanziatore skimmer	X	X	X	X	1
4	4402010505	Coperchio cestello skimmer	X	X	X	X	1
5	4402010504	Cestello skimmer da 17,5 litri	X	X	X	X	1
6	4402010501	Battente skimmer con clip	X	X	X	X	1
7	4402010508	Cornice battente skimmer	X	X	X	X	1
8	4402010407	Guarnizione per skimmer bocca a v per		X		X	2
9	4402010154	Per piscina in C.A.	X		X		1
9	4402012012	Flangia bocca skimmer P.P.		X		X	1
9	4402010169*	Flangia bocca skimmer P.P.		X		X	1
10	4402010153	Protezione copiferro skimmer cartuccia	X	X	X	X	1
11	73164	Cartuccia 16	X	X			2
11	73165	Cartuccia 20			X	X	2

* Piscina in poliester

DEUTSCH

N°	CODE	BESCHREIBUNG	73158	73159	73161	73162	Q
1	4402013809	Abdeckung rund skimmer	X	X	X	X	1
2	4402013807	Quadratischer rahmen und abdeckung	X	X	X	X	1
3	4402010506	Distanzring skimmer	X	X	X	X	1
4	4402010505	Abdeckung skimmkorb	X	X	X	X	1
5	4402010504	Skimmerkorb 17,5 l	X	X	X	X	1
6	4402010501	Skimmerklappe mit clip	X	X	X	X	1
7	4402010508	Rahmen skimmerklappe	X	X	X	X	1
8	4402010407	Dichtung skimmer gross fertigbecken		X		X	2
9	4402010154	Rahmen skimmereinlass betonbecken	X		X		1
9	4402012012	Rahmen skimmereinlass fertigbecken		X		X	1
9	4402010169*	Rahmen skimmereinlass fertigbecken		X		X	1
10	4402010153	Sicherheitsabdeckung skimmer kartusche	X	X	X	X	1
11	73164	Kartusche 16	X	X			2
11	73165	Kartusche 20			X	X	2

* Vorgefertigtes polyester

PORTUGUÊS

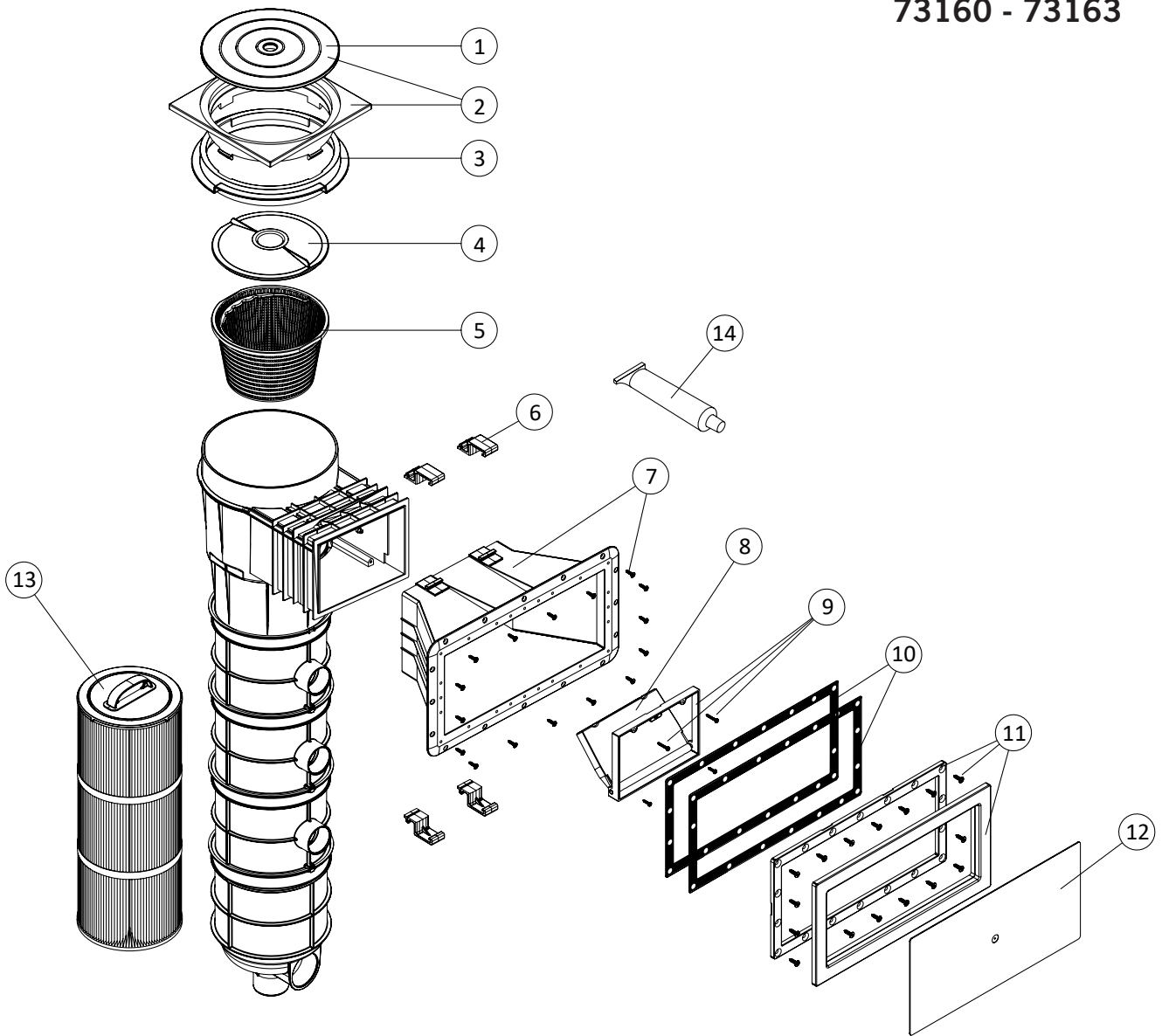
N°	CODIGO	DESCRIÇÃO	73158	73159	73161	73162	Q
1	4402013809	Tampa circular skimmer	X	X	X	X	1
2	4402013807	Aro quadrado e tampa	X	X	X	X	1
3	4402010506	Anel distanciador skimmer	X	X	X	X	1
4	4402010505	Tampa cesto skimmer	X	X	X	X	1
5	4402010504	Cesto skimmer 17,5 lts	X	X	X	X	1
6	4402010501	Comporta skimmer clip	X	X	X	X	1
7	4402010508	Caixilho comporta skimmer	X	X	X	X	1
8	4402010407	Junta grande de skimmer		X		X	2
9	4402010154	Caixilho boca skimmer piscina betão	X		X		1
9	4402012012	Caixilho boca skimmer P.P.		X		X	1
9	4402010169*	Caixilho boca skimmer P.P.		X		X	1
10	4402010153	Proteção da cobertura skimmer cartucho	X	X	X	X	1
11	73164	Cartucho 16	X	X			2
11	73165	Cartucho 20			X	X	2

* Piscina poliéster

ΕΛΛΗΝΙΚΑ

Αρ.	Κωδικός	Περιγραφή	73158	73159	73161	73162	Q
1	4402013809	Κυκλικό καπάκι skimmer	X	X	X	X	1
2	4402013807	Τετράγωνο αντισταθμιστικό και καπάκι	X	X	X	X	1
3	4402010506	Δακτύλιος επέκτασης κολάρου	X	X	X	X	1
4	4402010505	Πλάκα κενού	X	X	X	X	1
5	4402010504	Καλάθι 17,5 λίτρων	X	X	X	X	1
6	4402010501	Πτερύγιο skimmer	X	X	X	X	1
7	4402010508	Πλαίσιο πτερυγίου	X	X	X	X	1
8	4402010407	Μεγάλα παρεμβύσματα skimmer για την επένδυση		X		X	2
9	4402010154	Πλαίσιο skimmer από σκυρόδεμα	X		X		1
9	4402012012	Πλαίσιο skimmer P.P.		X		X	1
9	4402010169*	Πλαίσιο skimmer P.P.		X		X	1
10	4402010153	Προστασία καλύμματος φυσιγγίου skimmer	X	X	X	X	1
11	73164	Φυσίγγιο 16	X	X			2
11	73165	Φυσίγγιο 20			X	X	2

* Προκατασκευασμένη πολυεστέρα



ENGLISH

N°	CODE	DESCRIPTION	73160	73163	Q
1	4402013809	Circular skimmer lid	X	X	1
2	4402013807	Square rim and lid	X	X	1
3	4402010506	Collar extension ring	X	X	1
4	4402010505	Vacuum plate	X	X	1
5	4402010504	Basket 17,5 litres	X	X	1
6	4402012013	Extension throat clamp	X	X	4
7	4402012014	Extension throat+fixing connectors	X	X	1
8	4402010501	Skimmer flap	X	X	1
9	4402010508	Flap frame	X	X	1
10	4402010407	Large skimmer gaskets for liner	X	X	2
11	4402012012	Skimmer frame P.P.	X	X	1
12	4402010153	Cartridge skimmer cover protection	X	X	1
13	73164	Cartridge 16	X		1
13	73165	Cartridge 20		X	1
14	30884	Adhesive for ABS	X	X	1

FRANÇAIS

N°	CODE	DESCRIPTION	73160	73163	Q
1	4402013809	Couvercle rond skimmer	X	X	1
2	4402013807	Cadre et couvercle rond	X	X	1
3	4402010506	Cadre rehausse couvercle	X	X	1
4	4402010505	Couvercle panier skimmer	X	X	1
5	4402010504	Panier skimmer 17,5 lts	X	X	1
6	4402012013	Support de fixation bouche de skimmer	X	X	4
7	4402012014	Bouche conique + ancrage	X	X	1
8	4402010501	Volet de skimmer	X	X	1
9	4402010508	Cadre volet skimmer	X	X	1
10	4402010407	Joint skim grand mod piscine liner	X	X	2
11	4402012012	Cadre bouche skimmer P.P.	X	X	1
12	4402010153	Protection de couverture sk cartouche	X	X	1
13	73164	Cartouche 16	X		1
13	73165	Cartouche 20		X	1
14	30884	Adhésif pour ABS	X	X	1

ESPAÑOL

N°	CODIGO	DESCRIPCIÓN	73160	73163	Q
1	4402013809	Tapa circular skimmer	X	X	1
2	4402013807	Marco cuadrado y tapa	X	X	1
3	4402010506	Anillo distanciador skimmer	X	X	1
4	4402010505	Tapa cesto skimmer	X	X	1
5	4402010504	Cesto skimmer 17,5 lts.	X	X	1
6	4402012013	Falca fijacion boca skimmer	X	X	4
7	4402012014	Boca conica + anclajes	X	X	1
8	4402010501	Compuerta skimmer con clip	X	X	1
9	4402010508	Marco compuerta skimmer	X	X	1
10	4402010407	Junta skimmer grande Pisc. Pref.	X	X	2
11	4402012012	Marco boca skimmer P.P.	X	X	1
12	4402010153	Tapa proteccion skimmer cartucho	X	X	1
13	73164	Cartucho 16	X		1
13	73165	Cartucho 20		X	1
14	30884	Adhesivo para ABS	X	X	1

ITALIANO

N°	CODICE	DESCRIZIONE	73160	73163	Q
1	4402013809	Coperchio tondo skimmer	X	X	1
2	4402013807	Flangia quadrata e coperchio	X	X	1
3	4402010506	Anello distanziatore skimmer	X	X	1
4	4402010505	Coperchio cestello skimmer	X	X	1
5	4402010504	Cestello skimmer da 17,5 litri	X	X	1
6	4402012013	Staffe aggancio bocca skimmer	X	X	4
7	4402012014	Bocca + clip boccaggio	X	X	1
8	4402010501	Battente skimmer con clip	X	X	1
9	4402010508	Cornice battente skimmer	X	X	1
10	4402010407	Guarnizione per skimmer bocca a v per	X	X	2
11	4402012012	Flangia bocca skimmer P.P.	X	X	1
12	4402010153	Protezione copiferro skimmer cartuccia	X	X	1
13	73164	Cartuccia 16	X		1
13	73165	Cartuccia 20		X	1
14	30884	Adesivo per ABS	X	X	1

DEUTSCH

N°	CODE	BESCHREIBUNG	73160	73163	Q
1	4402013809	Abdeckung rund skimmer	X	X	1
2	4402013807	Quadratischer rahmen und abdeckung	X	X	1
3	4402010506	Distanzring skimmer	X	X	1
4	4402010505	Abdeckung skimmkorb	X	X	1
5	4402010504	Skimmerkorb 17,5 l	X	X	1
6	4402012013	Fixierplatten skimmereinlass	X	X	4
7	4402012014	Kegeleinlass mit verankerungen	X	X	1
8	4402010501	Skimmerklappe mit clip	X	X	1
9	4402010508	Rahmen skimmerklappe	X	X	1
10	4402010407	Dichtung skimmer gross fertigbecken	X	X	2
11	4402012012	Rahmen skimmereinlass fertigbecken	X	X	1
12	4402010153	Sicherheitsabdeckung skimmer kartusche	X	X	1
13	73164	Kartusche 16	X		1
13	73165	Kartusche 20		X	1
14	30884	Aufkleber ABS	X	X	1

PORTUGUÊS

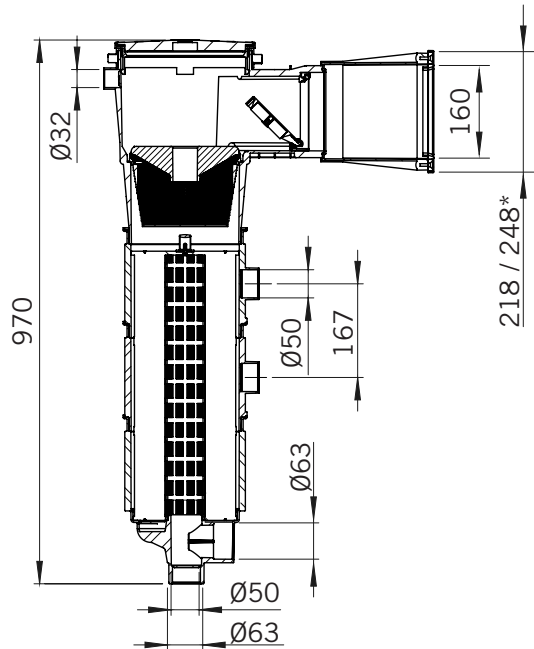
N°	CODIGO	DESCRIÇÃO	73160	73163	Q
1	4402013809	Tampa circular skimmer	X	X	1
2	4402013807	Aro quadrado e tampa	X	X	1
3	4402010506	Anel distanciador skimmer	X	X	1
4	4402010505	Tampa cesto skimmer	X	X	1
5	4402010504	Cesto skimmer 17,5 lts	X	X	1
6	4402012013	Suporte de fixação	X	X	4
7	4402012014	Boca conica de ampliação + âncora	X	X	1
8	4402010501	Comporta skimmer clip	X	X	1
9	4402010508	Caixilho comporta skimmer	X	X	1
10	4402010407	Junta grande de skimmer	X	X	2
11	4402012012	Caixilho boca skimmer P.P.	X	X	1
12	4402010153	Proteção da cobertura skimmer cartucho	X	X	1
13	73164	Cartucho 16	X		1
13	73165	Cartucho 20		X	1
14	30884	Adesivo para ABS	X	X	1

ΕΛΛΗΝΙΚΑ

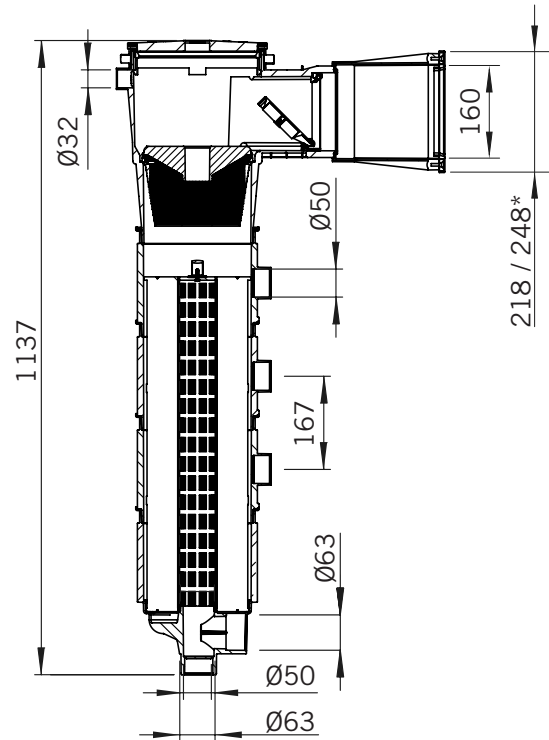
Αρ.	Κωδικός	Περιγραφή	73160	73163	Q
1	4402013809	Κυκλικό καπάκι skimmer	X	X	1
2	4402013807	Τετράγωνο αντισταθμιστικό και καπάκι	X	X	1
3	4402010506	Δακτύλιος επέκτασης κολάρου	X	X	1
4	4402010505	Πλάκα κενού	X	X	1
5	4402010504	Καλάθι 17,5 λίτρων	X	X	1
6	4402012013	Σφινκτήρας λαιμού επέκτασης	X	X	4
7	4402012014	Λαιμός επέκτασης+σύνδεσμοι στερέωσης	X	X	1
8	4402010501	Πτερύγιο skimmer	X	X	1
9	4402010508	Πλαίσιο πτερυγίου	X	X	1
10	4402010407	Μεγάλα παρεμβύσματα skimmer για την επένδυση	X	X	2
11	4402012012	Πλαίσιο skimmer P.P.	X	X	1
12	4402010153	Προστασία καλύμματος φυσιγγίου skimmer	X	X	1
13	73164	Φυσίγγιο 16	X		1
13	73165	Φυσίγγιο 20		X	1
14	30884	Κολλητικό για ABS	X	X	1

- SIZES
- MESURES
- MEDIDAS
- MISURE
- MESSUNG
- MEDIDAS
- μέτρο

Sizes in mm



73158-73159-73160*



73161-73162-73163*

Made in Spain
 Sacopa, S.A.U.
 Pol. Ind. Poliger Sud – Sector I
 17854 Sant Jaume de Llierca (Spain)

ASTRALPOOL
 Avda. Francesc Macià, 60, planta 20
 08208 Sabadell (Barcelona) Spain
 info@astralpool.com

73158E201-01

- We reserve to change all or part of the articles or contents of this document, without prior notice.
- Nous nous réservons le droit de modifier totalement ou en partie les caractéristiques de nos articles ou le contenu de ce document sans pré avis.
- Nos reservamos el derecho de cambiar total o parcialmente las características de nuestros artículos o contenido de este documento sin previo aviso.
- Ci riserviamo il diritto di cambiare totalmente o parzialmente le caratteristiche tecniche dei nostri prodotti ed il contenuto di questo documento senza nessun preavviso
- Wir behalten uns das recht vor die eigenschatten unserer produkte oder den inhalt dieses prospektes teilweise oder vollstanding, ohne vorherige be-nachichtigung zu andern.
- Reservamo-nos no dereito de alterar, total ou parcialmente as características dos nossos artigos ou o conteúdo deste documento sem aviso prévio.
- Διατηρούμε το δικαίωμα να τροποποιήσουμε συνολικά ή εν μέρει τα άρθρα ή τα περιεχόμενα του παρόντος εγγράφου, χωρίς πρότερη ειδοποίηση.