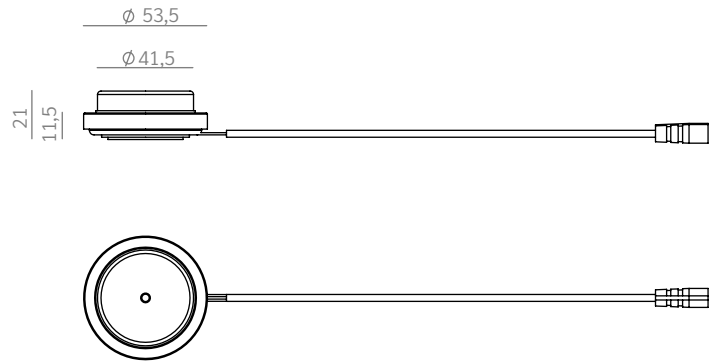
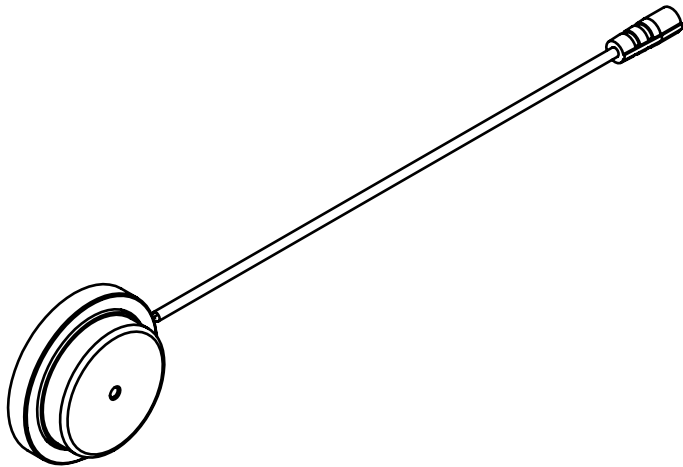


TECHNICAL SHEET - *SCHEDA TECNICA*

AF-FL018



TECHNICAL FEATURES - *CARATTERISTICHE TECNICHE*

Parameters	Value	Units
RATED INPUT POWER	20	W
MAX INPUT POWER	40	W
IMPEDANCE	8 ± 15%	OHM
RESONANT FREQUENCY	480 ± 20%	Hz
AVG. SPL 2.83V/0.1M ON 4MM THICK PLA PANEL (AVG 0.5, 1.0, 2.0, AND 5.0 kHz)	104	dBA
FREQUENCY RANGE (MATERIAL DEPENDANT)	60~20,000	Hz
MAGNET MATERIAL	NdFeB	-
OPERATING TEMPERATURE	-20 ~ +60	°C
WEIGHT	114	grams