



*A
Fountain
of ideas*

ASTRALPOOL 

evolution>innovation

is

THE
THE
OF

HEART COURTAIN LIFE.

Contents

WATER

- 8 **Origin** Where life is born
- 8 **Values** Associated with water
- 9 **Meaning** What water means for human beings
- 10 **History** The worship of water

FOUNTAIN

- 14 **Description and metaphor** What is a fountain?
- 16 **History** Synonymous with life since the beginning of time
- 20 **Evolution** Natural and artificial
- 20 **Types** Natural and artificial, decorative and functional

COMPANY

- 26 **ASTRALPOOL** Philosophy
- 32 **About us** Professionals
- 38 **Facilities** Our space
- 40 **Projecting ideas** Our inspiration
- 42 **ASTRALPOOL in the world** Global presence
- 44 **R&D** Research

PROJECTS

47 Some of our projects

PRODUCTS

106 Customizable Fountains

- Funsquare Fountains
- Digital Curtain
- Digital Curtain & app
- Water Screen
- Water Curtain
- Magic Curtain
- Waterfalls
- Geyser Jet
- Cosmos Fountain
- Lakes

116 Jets

- Spear Nozzle
- Big Spear Nozzle
- Swing Dancer Jet
- Dancer Jet
- Glassy Jet (Jumping Jet effect)
- Rocket Jet
- Fire Jet
- Bubble Jet

126 Interaction

- InMotion System
- Interactive sensors and ropes
- Communication (Fountain + Pc + ...)

129 Illumination

- Nano LEDs
- Mini LEDs
- Circular LEDs
- Halospot LEDs
- Par v1 & v2
- LED strip
- DMX Driver

136 Complementary products

- Level control
- Wind control
- Pipe fitting
- Overflow
- Junction boxes
- Cable inlet fittings + junction boxes
- Cable inlet fitting

When you drink water, remember the source.

WATER

WATER

Origin Where life is born

Values Associated with water

Meaning What water means for human beings

History The worship of water

Water is the source of everything. Nothing as we know it would exist without it. Animals, plants, our very lives would be impossible were it not for water, a substance that covers over 70% of the earth's surface in its three states: liquid, solid and gas.

Liquid, transparent, odourless, colourless and tasteless: all living beings need water to survive.

Water is inspiration, peace, harmony. It is a source of beauty and calm.

It flows in rivers, is still in lakes and unleashes its fury in the seas and oceans.

Water extinguishes fire, but supports life.





WATER

Origin Where life is born

Values Associated with water

Meaning What water means for human beings

History The worship of water

Water has been here since the beginning of time, and yet we have always sought it out. All living beings have based their existence on the search for water, settling near water sources (rivers, lakes, seas) or diverting these sources to their settlements. Because water is vital, essential, and nothing would exist without it.

How was life created?

The question remains unanswered.

But what supports life?

The answer is easy: water.

WATER

Origin Where life is born

Values Associated with water

Meaning What water means for human beings

History The worship of water

Symbol of purification and an expression of the sacred, water is the fountain of life. It is associated with medicinal and healing qualities.

Water plays a fundamental role in all religions and beliefs, inspiring both worship and respect.

Tales de Mileto:

“Water is the origin of everything that exists. It is the essential element”



A fountain is generally synonymous with life.

A large, abstract watercolor splash in various shades of blue and purple, centered on the page. The splash has irregular, torn edges and a textured, painterly appearance. The word "FOUNTAIN" is overlaid on this splash.

FOUNTAIN

FOUNTAIN

Description and metaphor What is a fountain?

History Synonymous with life since the beginning of time

Evolution Natural and artificial

Types Natural and artificial, decorative and functional

Fountain.

the source or origin of anything.

A fountain is, without doubt, an expression of the beginning, the origin of things. A source of light, water, information or energy is always the beginning.

Like a spring of water welling up from the earth, the fountain is the source of rivers that cross mountains to end their journey flowing into the sea.





Font d'Hèrcules (1802)
Josep Moret and Salvador Gurri.
Passeig de Sant Joan, Barcelona

FOUNTAIN

Description and metaphor What is a fountain?

History Synonymous with life since the beginning of time

Evolution Natural and artificial

Types Natural and artificial, decorative and functional





Fountains have always been synonymous with life, playing a vital role as a source of happiness, a place where communities gather, a vibrant and dynamic space, a meeting point and a metaphor for life.





FOUNTAIN

Description and metaphor What is a fountain?

History Synonymous with life since the beginning of time

Evolution Natural and artificial

Types Natural and artificial, decorative and functional

Since the dawn of time man has sought to control his environment; water, the planet's dominating element, is one of the elements that man has mastered best. A desire to bring water closer to people resulted in the first fountains, which were typically located in the village centre. Over time and with the development of new materials, the original more functional purpose of these fountains shifted towards a more decorative one, each fountain becoming a unique and spectacular piece.

Today we can enjoy fountains as a more decorative, participatory and spectacular element.





THE MAGIC FOUNTAIN OF MONTJUIC
Upgrades for Barcelona's famous fountain





A fountain of ideas.

ASTRAL

POOLA[®]

COMPANY

[ASTRALPOOL Philosophy](#)

[About us Professionals](#)

[Facilities Our space](#)

[Projecting ideas Our inspiration](#)

[ASTRALPOOL in the world Global presence](#)

[R&D Research](#)



ASTRALPOOL, with over 40 years of experience, is the leading brand name in the world of the swimming pool and ornamental fountains.

The ASTRALPOOL trademark is sold in over 170 countries. It directly sells its products in 43 countries through a network of companies owned by Fluidra, comprising a total of 150 subsidiaries, warehouses and branch offices. Over 40.000 professionals and 200.000.000 pools use one of our 15.000 products.

Completely innovative and sustainable solutions

Over and above functionality, the products and solutions offered by ASTRALPOOL deliver sustainable responses that enable users to save water and look after the environment while they enjoy their pools and ornamental fountains.

For all of these reasons and many more, our systems and components for public and private pools and fountains are and will continue to be world leaders. We set the benchmark for professionals and private home owners.

Let ASTRALPOOL surprise you once again.



“AstralPool takes a technical approach to the analysis of each project, delivering solutions that make installation and maintenance easier”

COMPANY

[ASTRALPOOL Philosophy](#)

[About us Professionals](#)

[Facilities Our space](#)

[Projecting ideas Our inspiration](#)

[ASTRALPOOL in the world Global presence](#)

[R&D Research](#)

ASTRAL

CLIENT CONNECTION

The **ASTRALPOOL** philosophy has always been to assist clients throughout the entire decision-making process. By providing a friendly and attentive service **ASTRALPOOL** seeks two-way communication and strives to make a connection with clients, always with an approach that best ensures a positive outcome. Client care, advisory services, dialogue and commitment are some of the keys to our success.

ASTRALCARE

ASTRALPOOL closely monitors each project every step of the way. Work is managed and supervised throughout the design, construction, installation and commissioning processes to ensure the utmost rigour and professionalism. Client communication is crucial for making monitoring as easy as possible, tailored to each project's needs.

ENGINEERING&RESEARCH

ASTRALPOOL has always been strongly committed to innovation and creativity. Taking a more creative approach to new projects, we work with the industry's most cutting-edge technology, researching new decorative systems and optimal solutions to create the most innovative effects.

CONCEPT DESIGN

Our work is focused on making unique fountains that reflect each client's individual concept. We transform water into architecture, blending water and nature to create dynamic shapes that integrate into the urban environment.

POOL



ANIMATION

To make it easier to evaluate designs, choreography and urban integration, **ASTRALPOOL** employs 3D animation to give clients a clearer picture of what the final results will look like. This makes it possible to quickly and visually understand the concept, creating an opportunity for clients to suggest changes to better adapt the project to their vision.

COREOGRAPHY

Ultimately, a fountain's most visible element are the movements of water and light. Choreography and sequences that feature water, music and light provide a colourful, dynamic and eye-catching show.

These movements are designed by **ASTRALPOOL's** experts, who supervise and manage every aspect of the choreography and sequences. As if it were a dance, a ballet: we believe that every water show is unique.

MANUFACTURING

Our technical team develops and manufactures most of the material, which is tailor-made for each project. Each fountain is a new challenge and therefore requires a customised design in which each piece is developed and adapted to the project's particular requirements. This ensures that each design fits the client's needs and vision.

INSTALLATION&COMISSIONING

To ensure that each project runs smoothly, **ASTRALPOOL** relies on an expert team of technicians who handle the end-to-end installation of new fountains, from properly installing all machinery to setting up all the electrical programming prior to the fountain's commissioning. This guarantees a flawless installation from start to finish.

COMPANY

[ASTRALPOOL Philosophy](#)

[About us Professionals](#)

[Facilities Our space](#)

[Projecting ideas Our inspiration](#)

[ASTRALPOOL in the world Global presence](#)

[R&D Research](#)





COMPANY

ASTRALPOOL Philosophy

About us Professionals

Facilities Our space

Projecting ideas Our inspiration

ASTRALPOOL in the world Global presence

R&D Research

The success of **ASTRALPOOL** is based on the knowledge and experience of our professionals. Each and every team member contributes and projects ideas, solutions and resources that daily enhance the solutions we propose.

Every challenge, every new project is a reason to improve and implement those solutions, those small details that enhance the product and help to evolve and grow our vision of what business means.





“Each fountain is practically handcrafted, every detail matters”

COMPANY

ASTRALPOOL Philosophy

About us Professionals

Facilities Our space

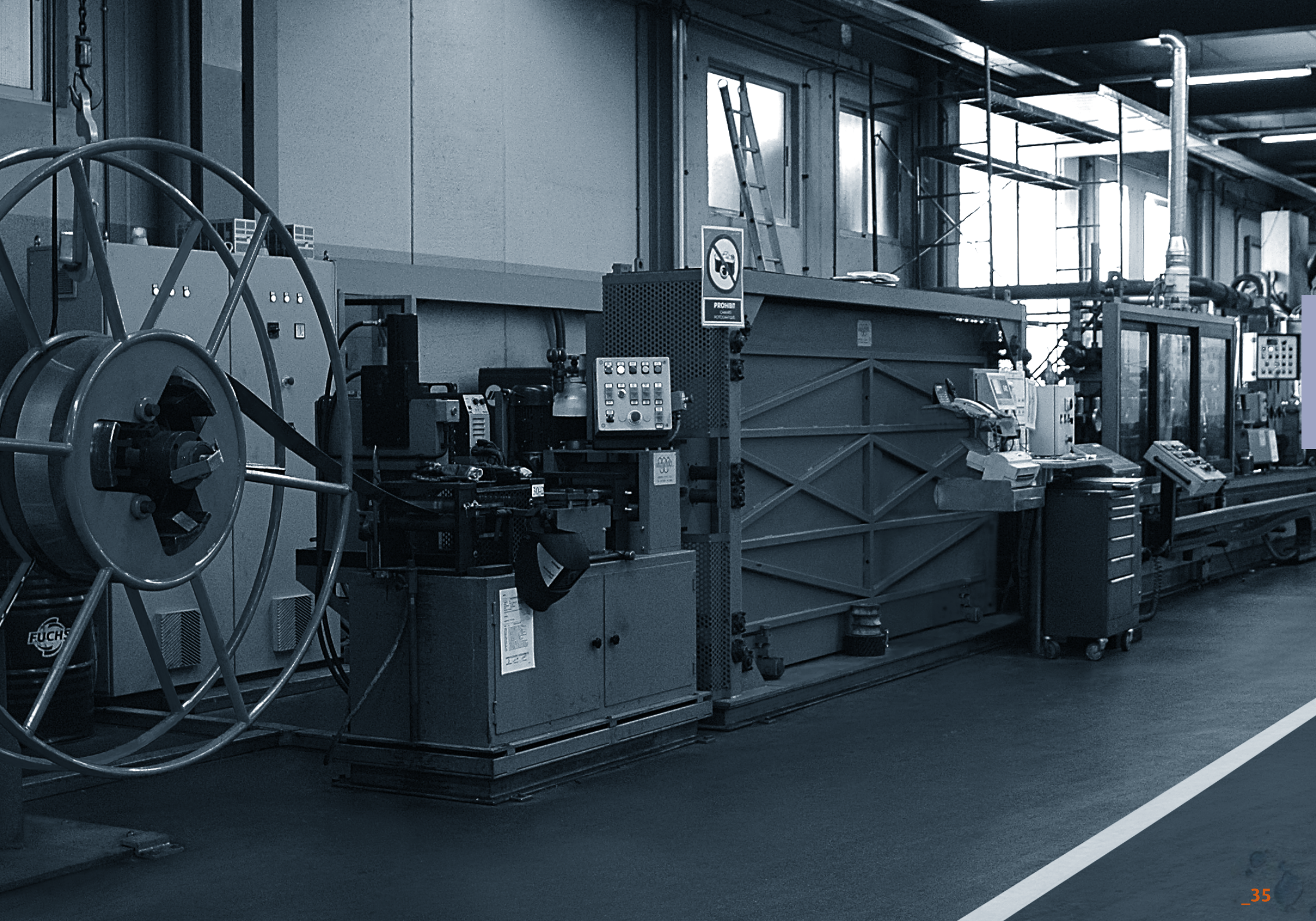
Projecting ideas Our inspiration

ASTRALPOOL in the world Global presence

R&D Research

“We design projects with a forward-looking approach, that are sensitive to the environment and adapt to its needs”

COMPANY
Production centre



COMPANY

ASTRALPOOL Philosophy

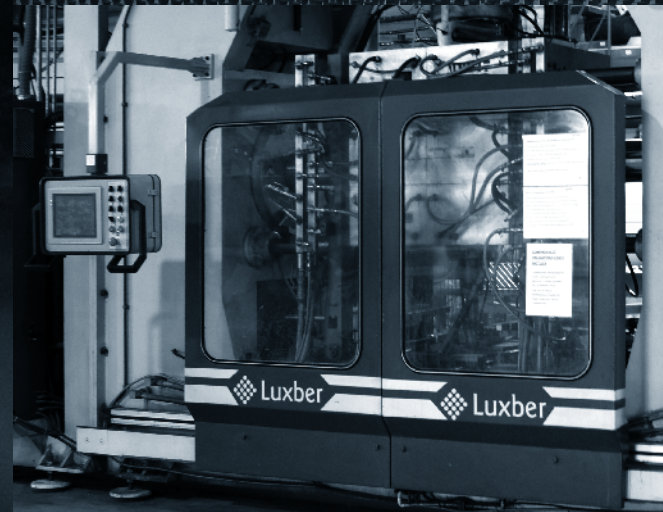
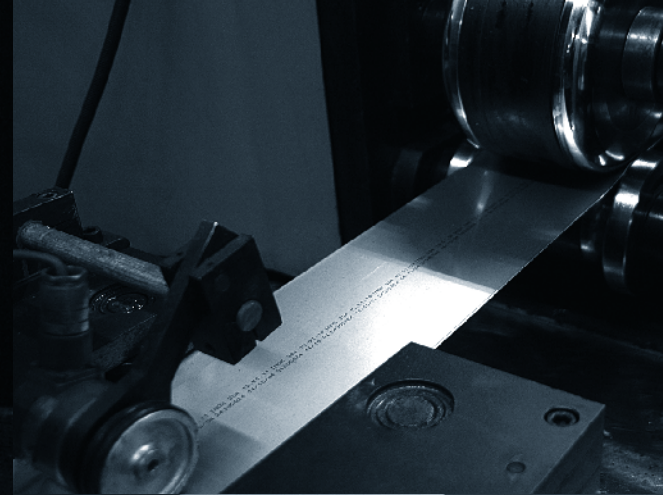
About us Professionals

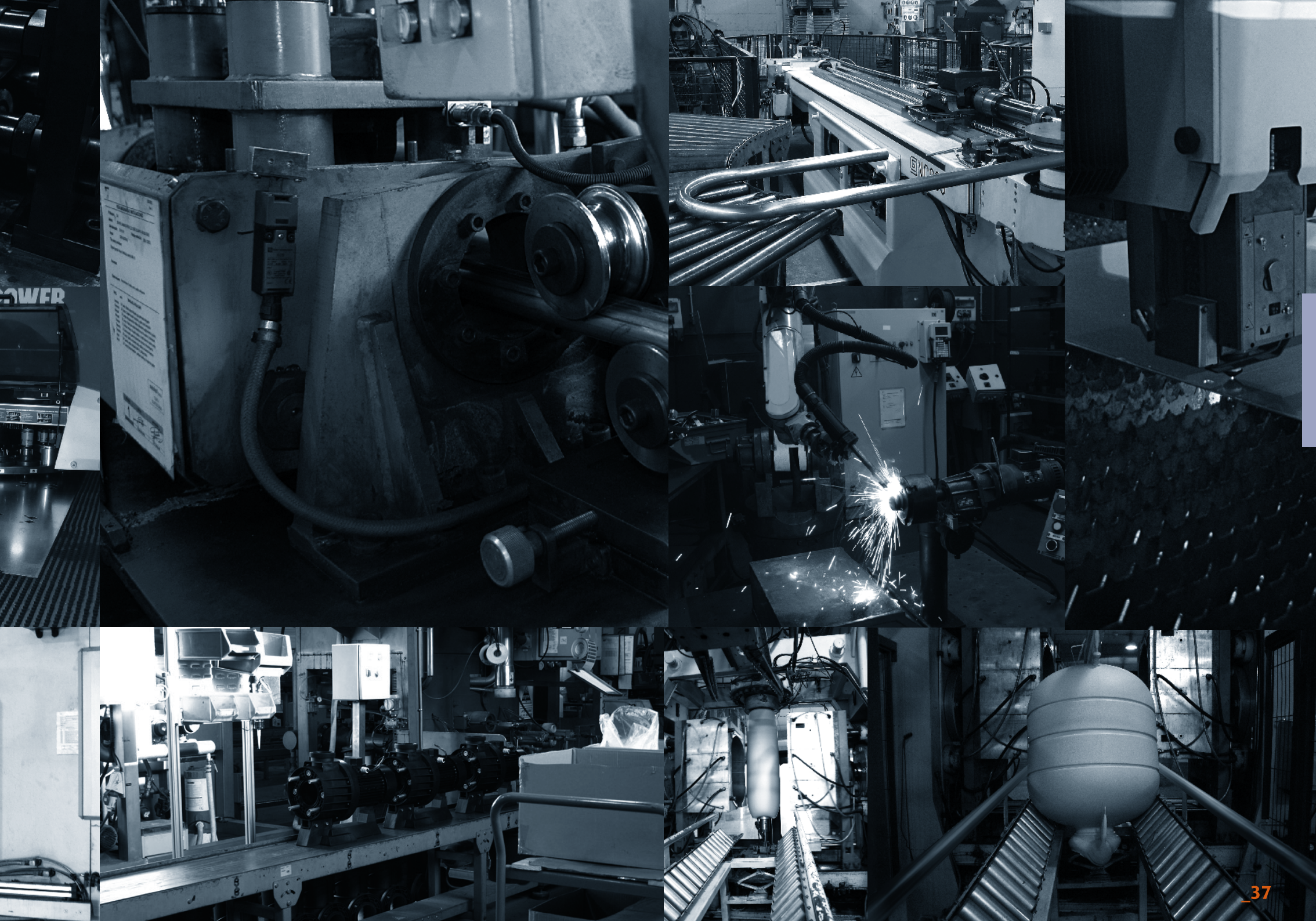
Facilities Our space

Projecting ideas Our inspiration

ASTRALPOOL in the world Global presence

R&D Research





COMPANY

ASTRALPOOL Philosophy

About us Professionals

Facilities Our space

Projecting ideas Our inspiration

ASTRALPOOL in the world Global presence

R&D Research



“Our modern facilities make it possible for us to plan, study and execute each of our products”

COMPANY

[ASTRALPOOL Philosophy](#)

[About us Professionals](#)

[Facilities Our space](#)

[Projecting ideas Our inspiration](#)

[ASTRALPOOL in the world Global presence](#)

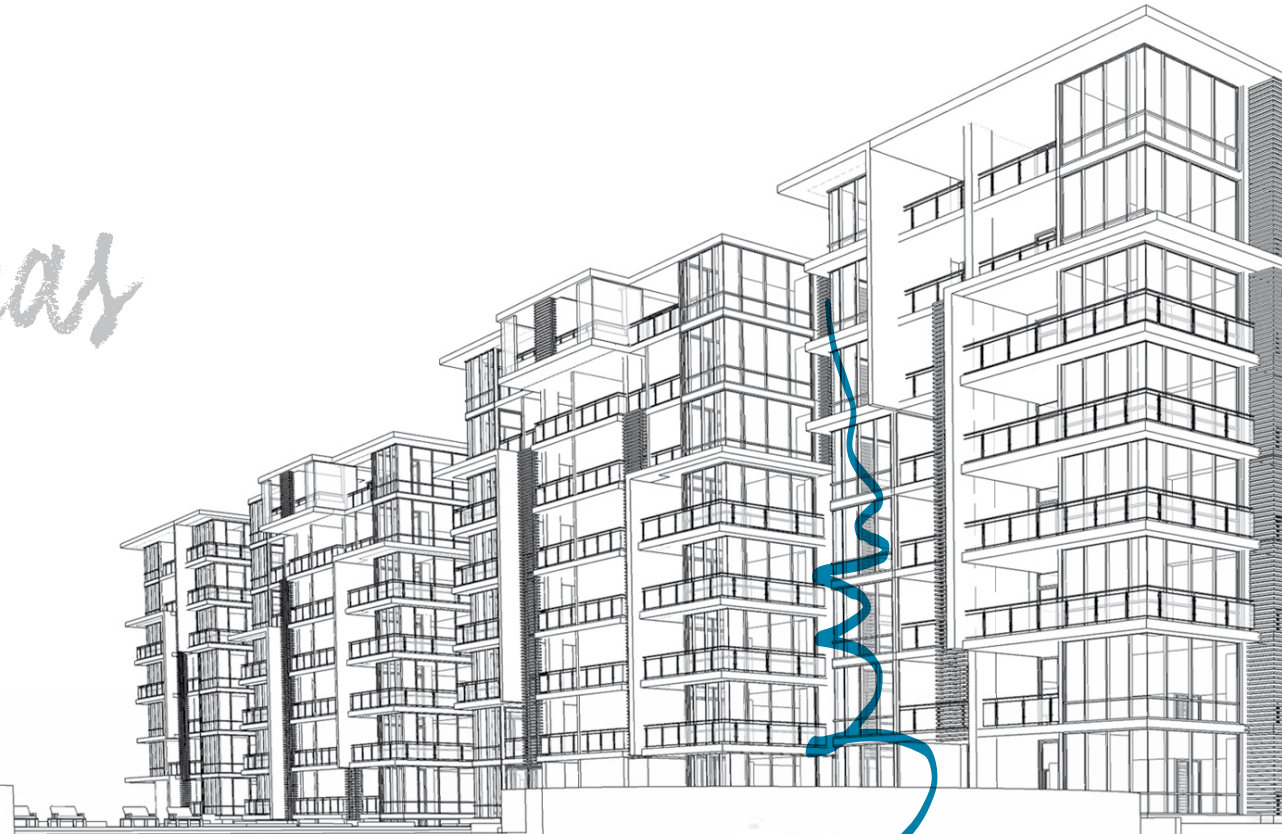
[R&D Research](#)

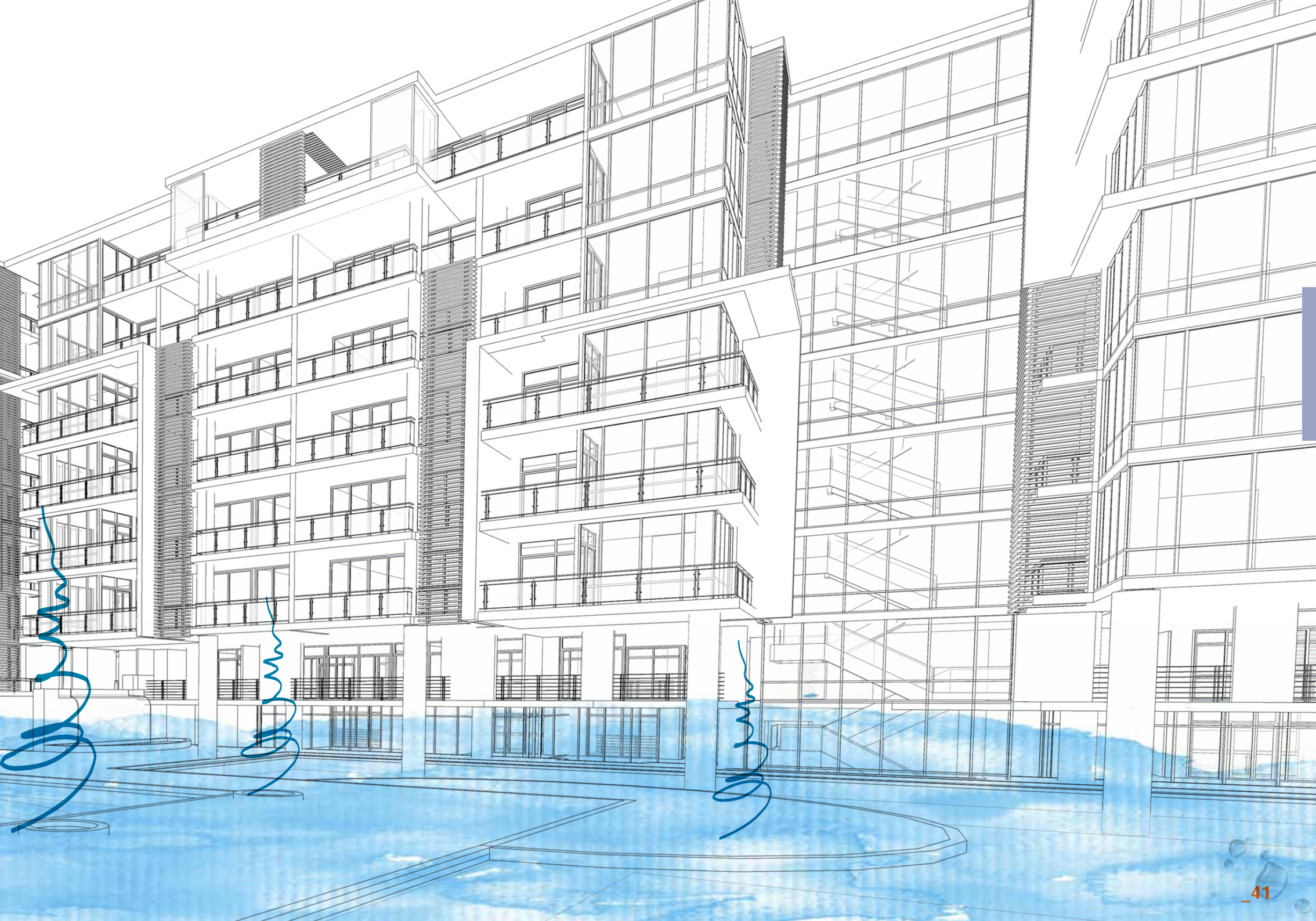
Projecting ideas

ASTRALPOOL mission is to drive society's progress through the sustainable use of water in its range of recreational, domestic and industrial applications.

Water is what we are all about and, as a result, all of **ASTRALPOOL's** activities are based on the commitment to its responsible use. Savings on costs and reuse of resources underpin any line of action the Group pursues and serve as the basis for product development.

We are committed to promoting the responsible use of water and the rigorous application of sustainability criteria for future generations. We have the ability to adapt with ease, efficiency and rigour, projecting our ideas in an environment we respect and strive to improve.





COMPANY

[ASTRALPOOL Philosophy](#)

[About us Professionals](#)

[Facilities Our space](#)

[Projecting ideas Our inspiration](#)

[ASTRALPOOL in the world Global presence](#)

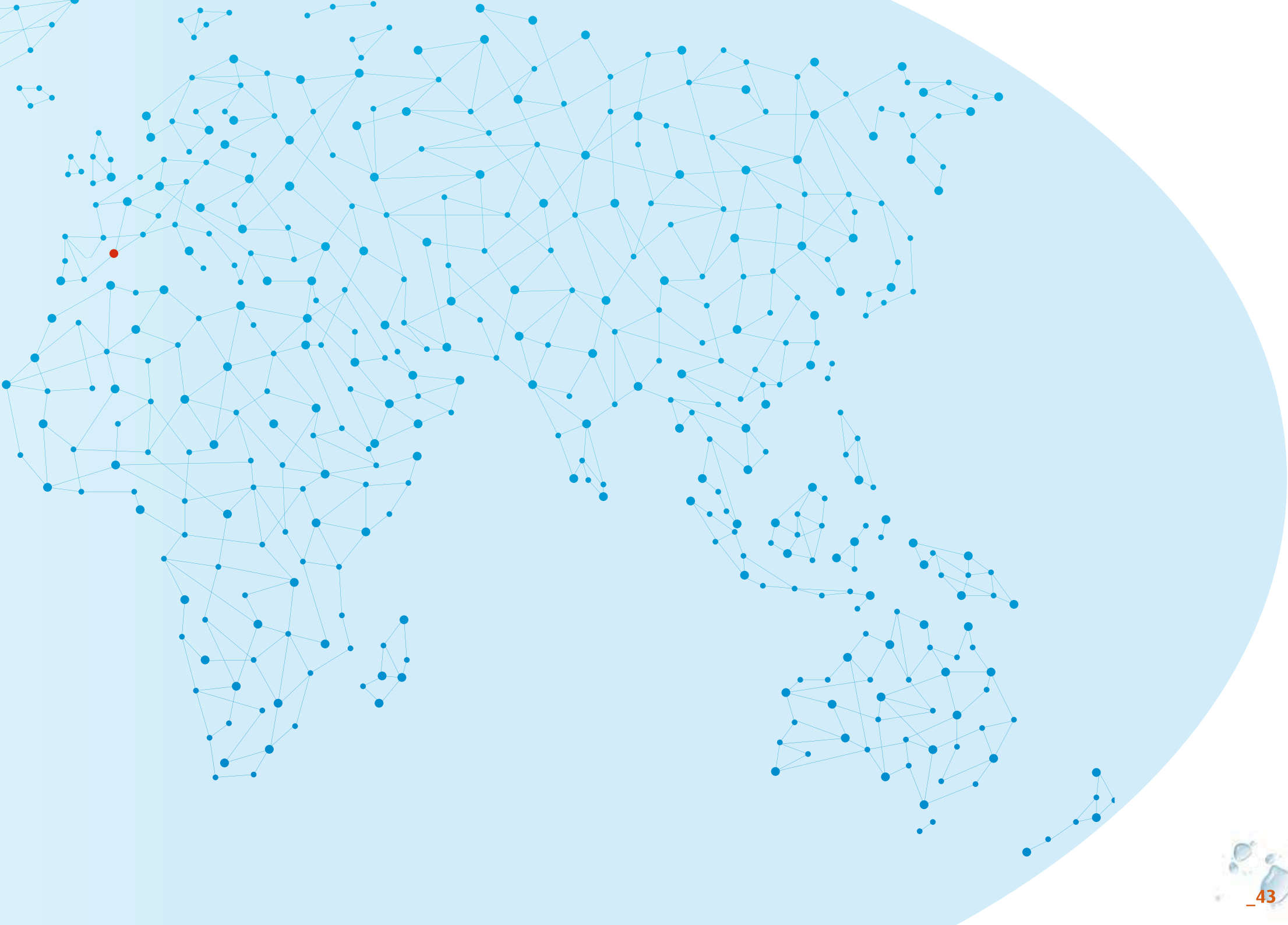
[R&D Research](#)

ASTRALPOOL IN THE WORLD

We are one of Spain's largest industrial groups with a global presence. We have our own production centres and a distribution network that operates on five continents.

“ASTRALPOOL's global presence is our biggest challenge and project for the future”





COMPANY

ASTRALPOOL Philosophy

About us Professionals

Facilities Our space


Projecting ideas Our inspiration

ASTRALPOOL in the world Global presence

R&D Research

R + D + FUTURE

“We promote a culture of innovation with enthusiasm and creativity in order to meet new challenges”



R&D&I is the foundation of our competitiveness. Using the cleanest and most efficient technologies possible, along with developing products based on the environmentally sustainable use of water, are the main focus of the Group's innovation policy.

Dream, do, grow.

The background is a technical drawing of a mechanical part, possibly a flange or a circular component. It features several concentric circles, radial lines, and various dimensions. Key dimensions include a length of 77, a diameter of 47 (labeled as $\phi 47$), and several angles of 45 degrees and 40 degrees. There are also labels like 'E', 'Y', and 'B' pointing to specific features. The drawing is rendered in a light gray color.

PROJECTS





I would like us to attach importance to things again

In **ASTRALPOOL** we have worked with some of the most worldwide know Architecture offices, collaborating in the design of the fountains, creating new products and adapting the technologies in order to find solutions for each project.

We have participated in all the stages of the project, from the fist thought and design, to the basic and executive projection of the fountain, the manufacturing, supervision/installation, commissioning and choreography to get the best results.







PROJECT PLAÇA CATALUNYA
ARCHITECT CARLES BUIGAS

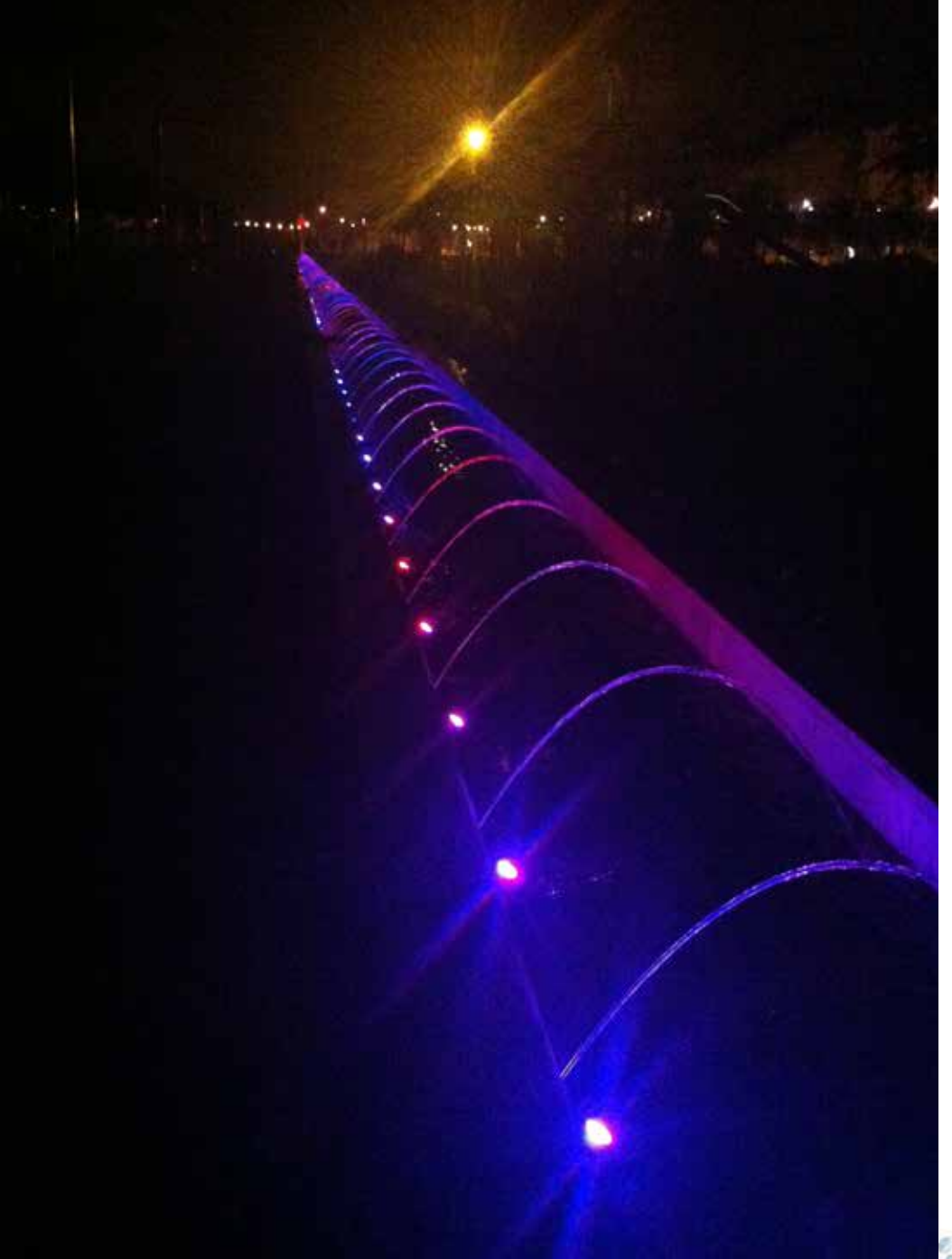




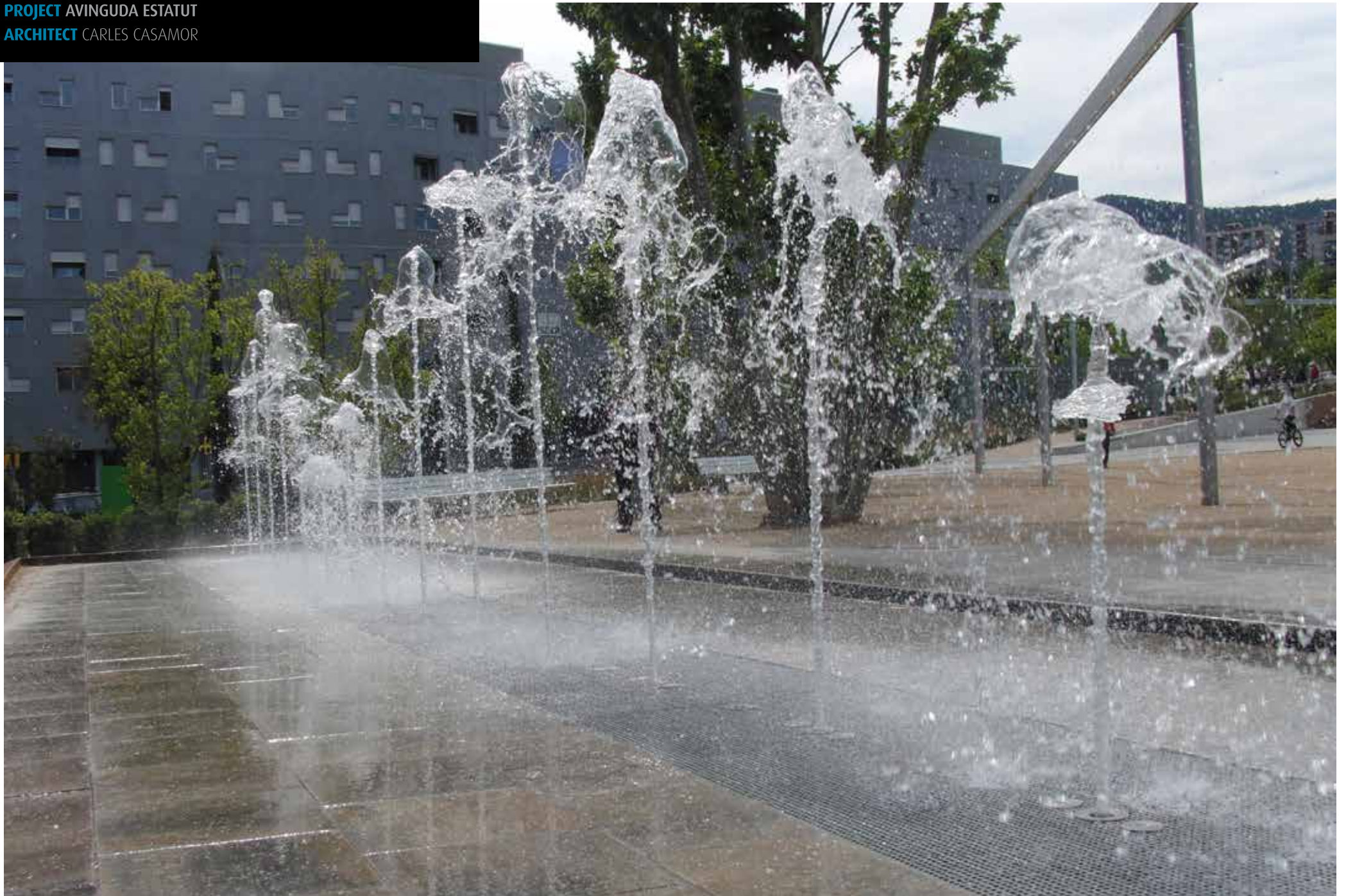


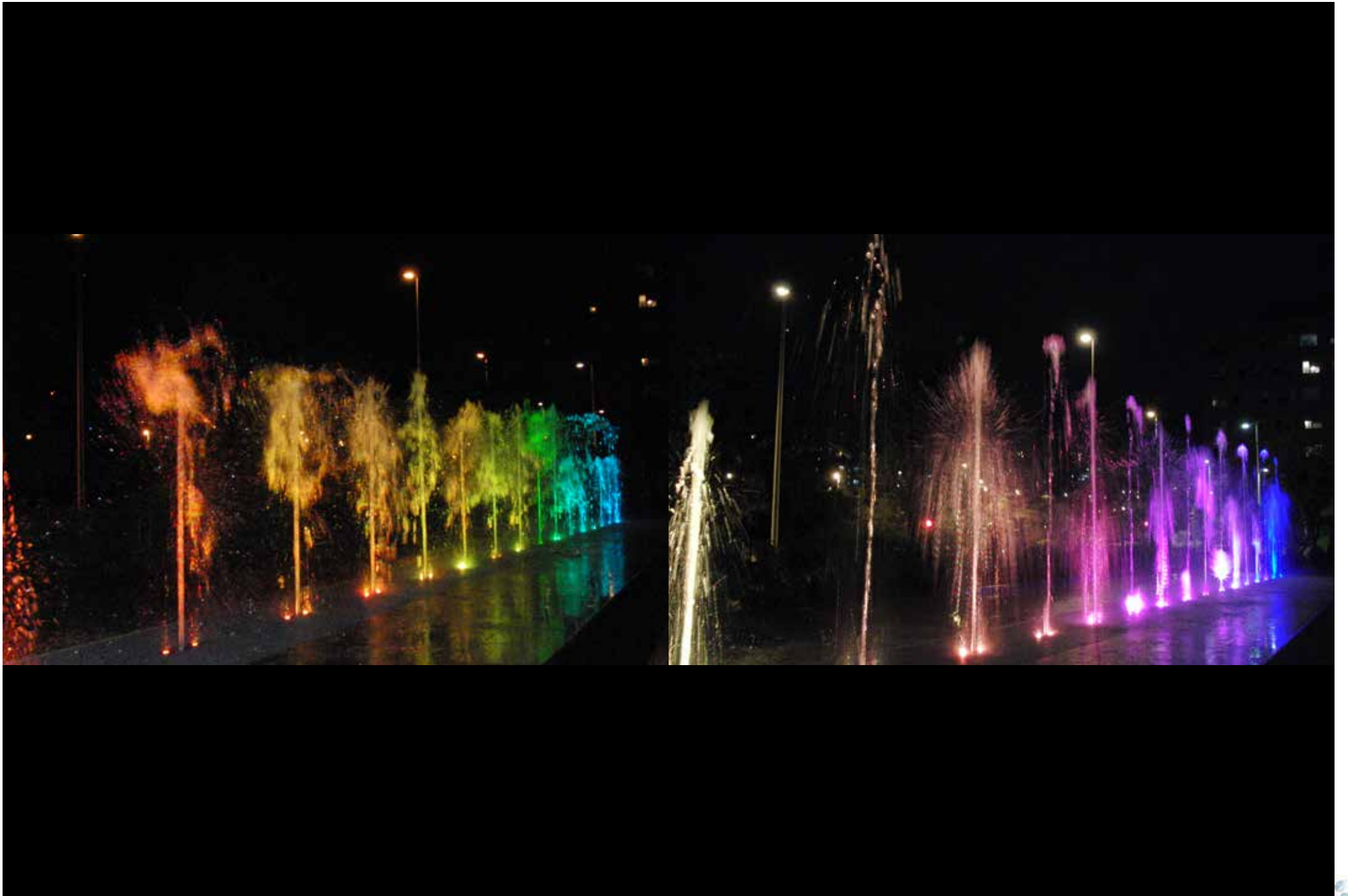






PROJECT AVINGUDA ESTATUT
ARCHITECT CARLES CASAMOR



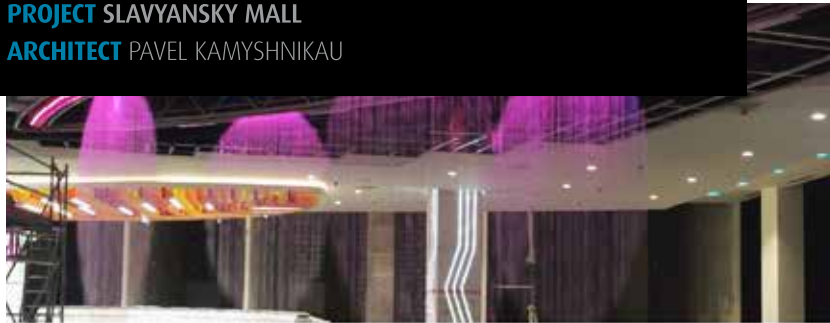




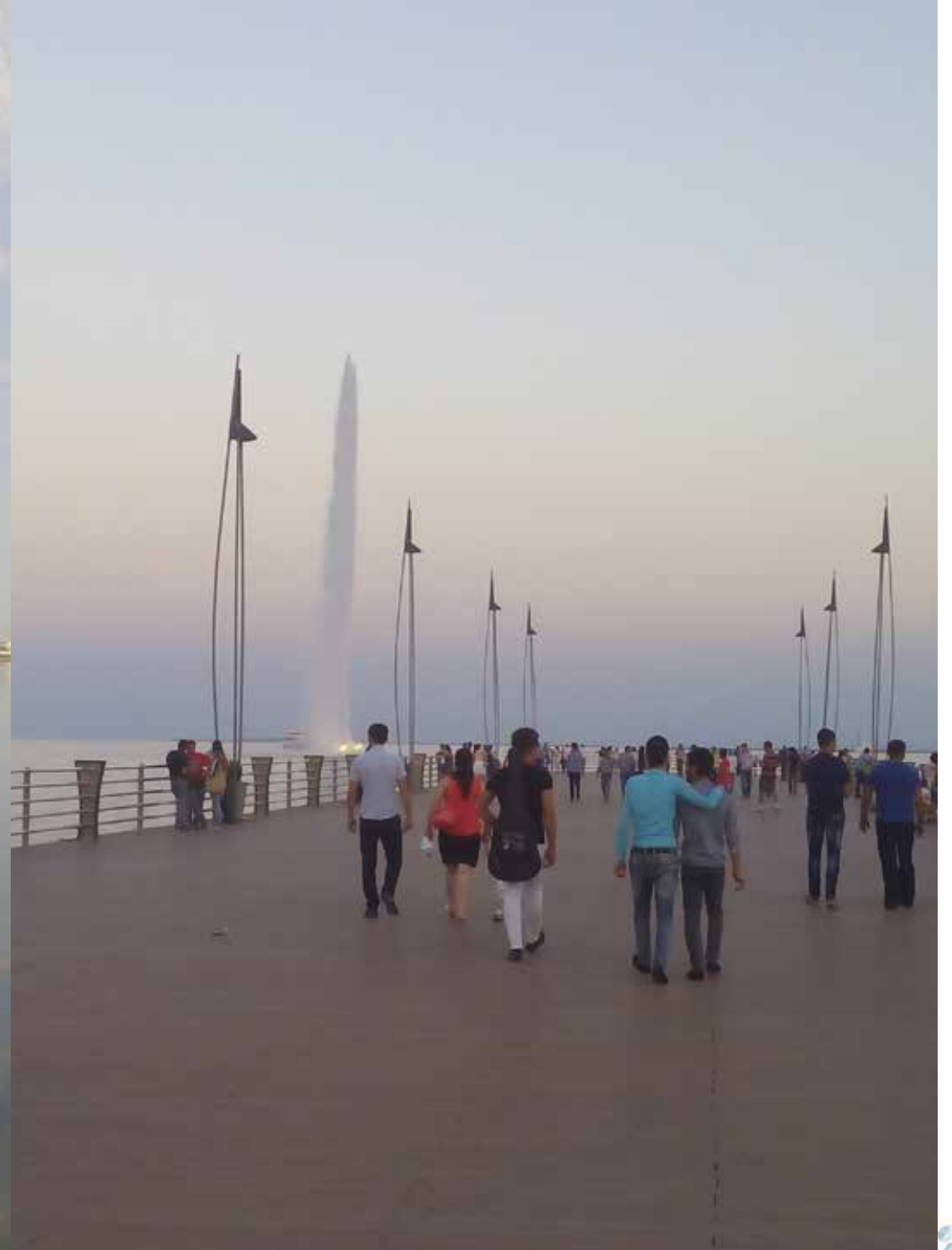


PROJECT LA ROCA VILLAGE
ARCHITECT L35 ARCHITECTS













PROJECT PUERTO VENEZIA
ARCHITECT L35 ARCHITECTS









PROJECT LA ZENIA
ARCHITECT RTKL ARCHITECTS



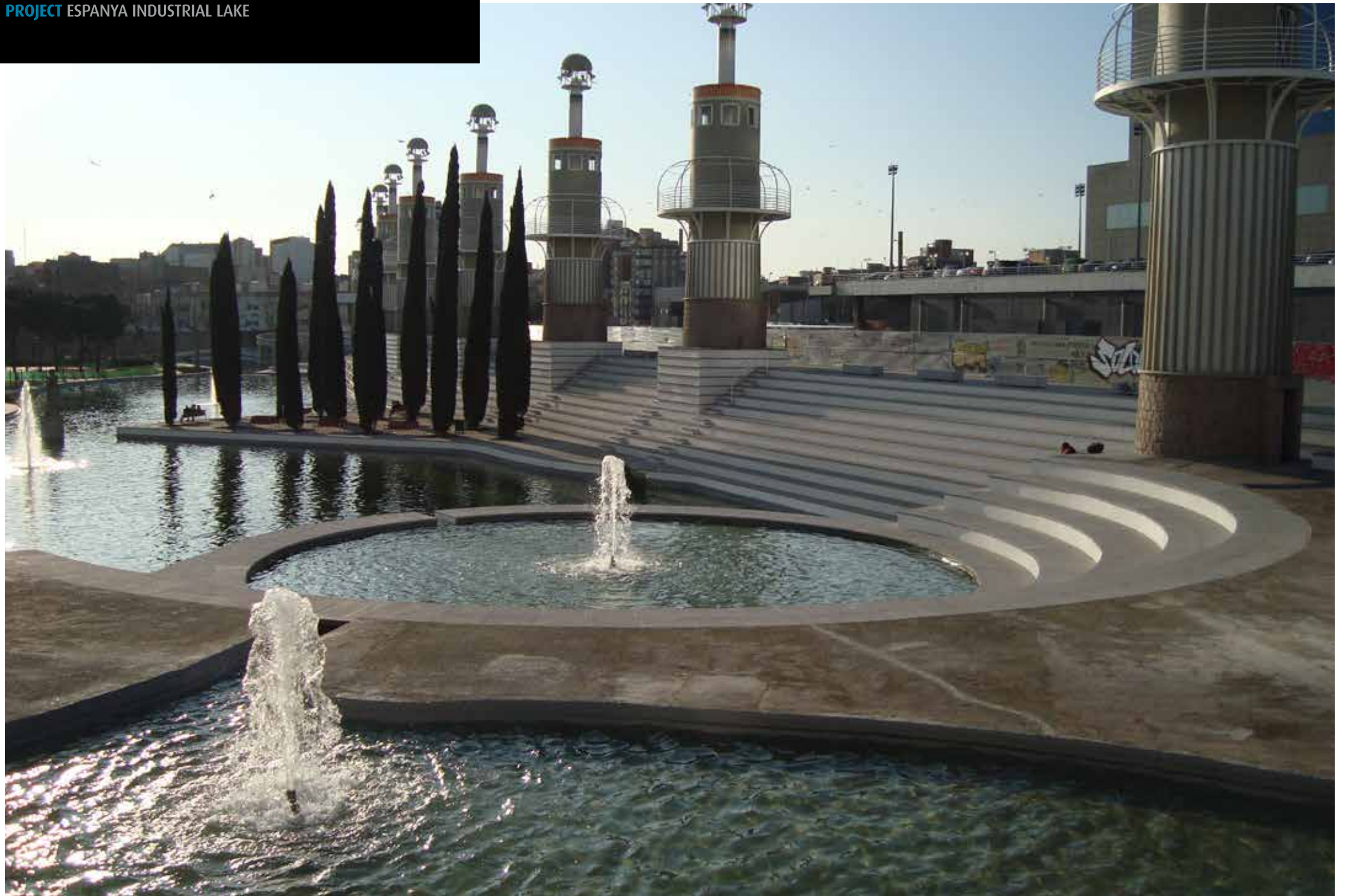












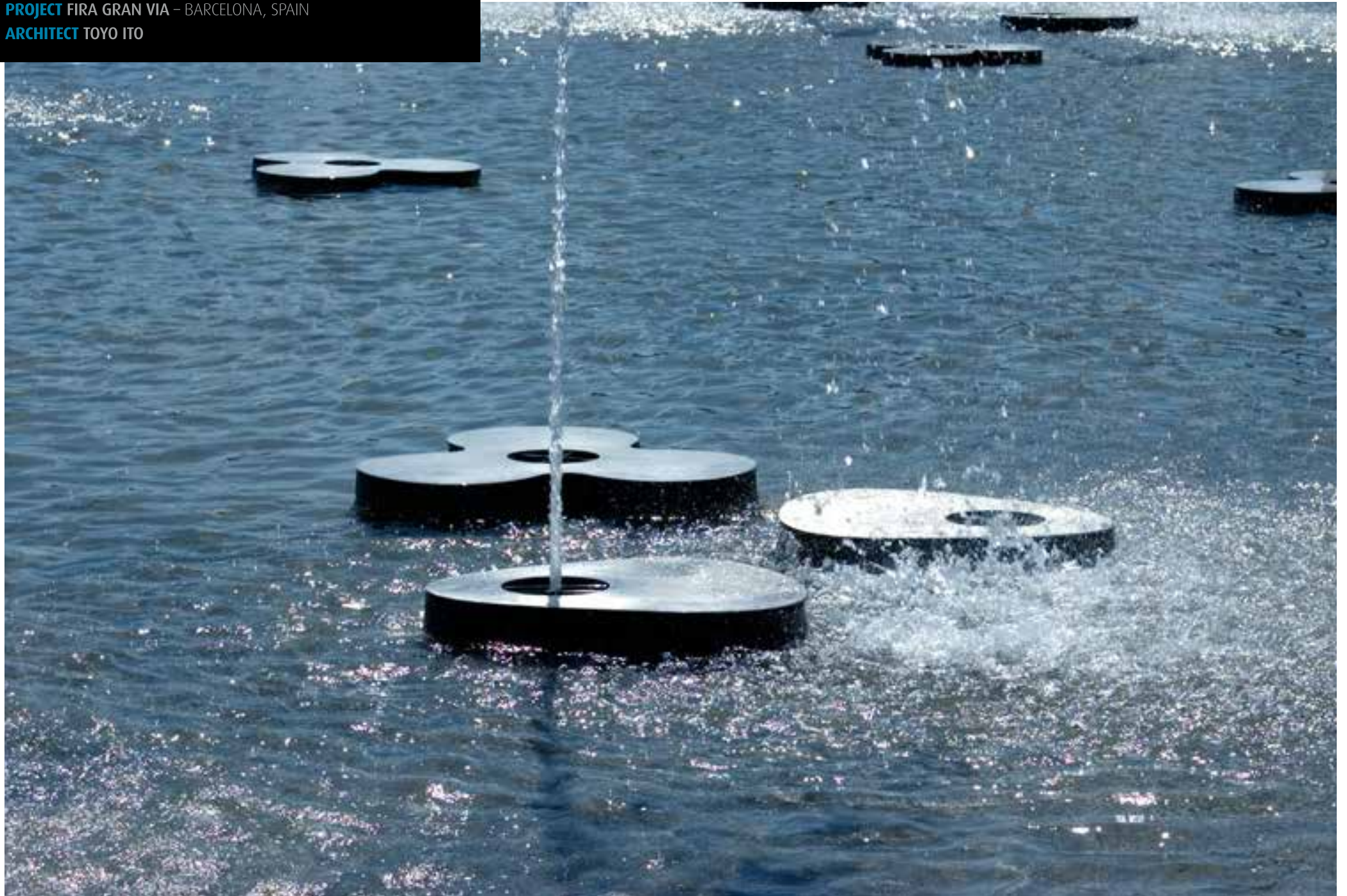


PROJECT FIRA GRAN VIA – BARCELONA, SPAIN
ARCHITECT TOYO ITO

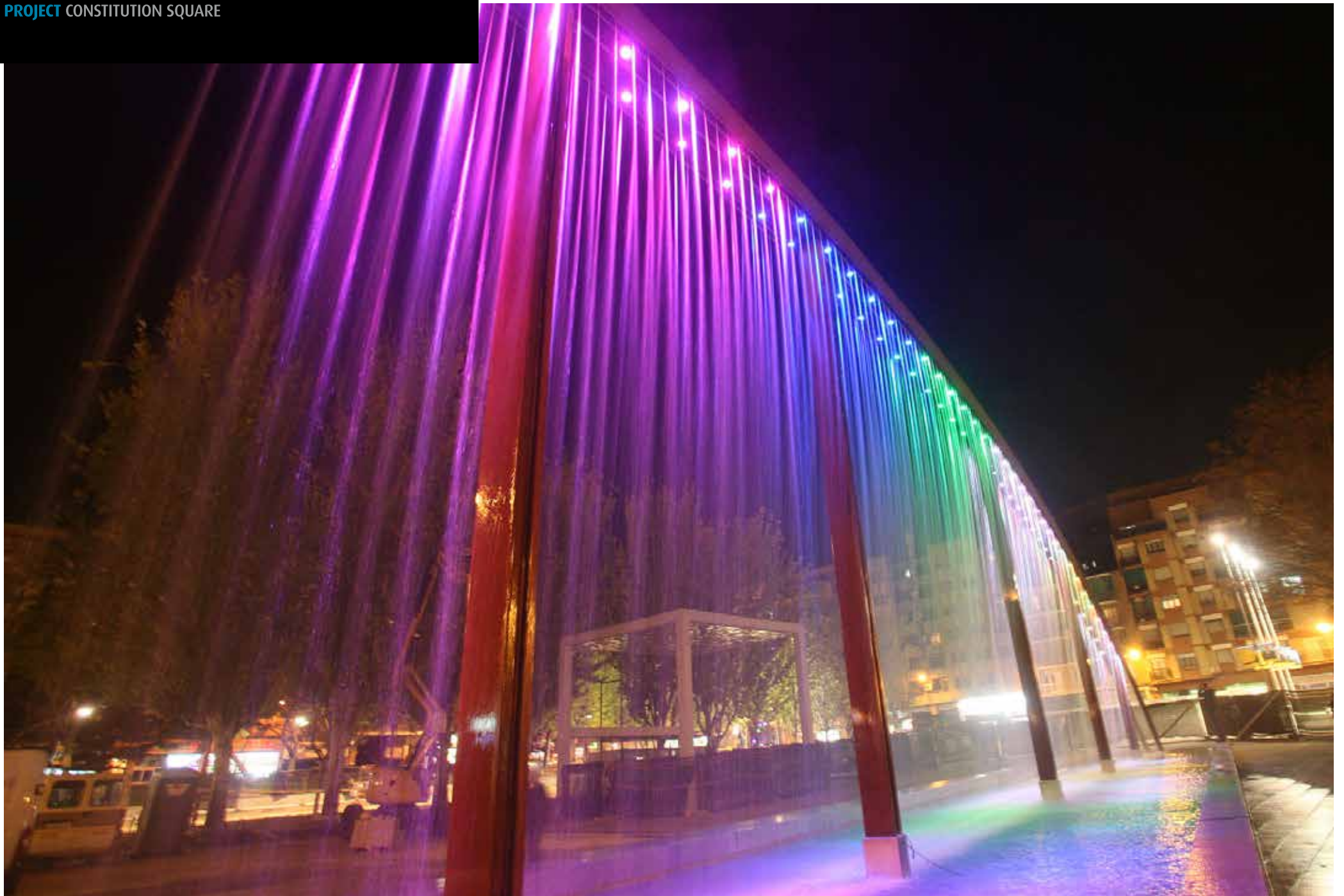




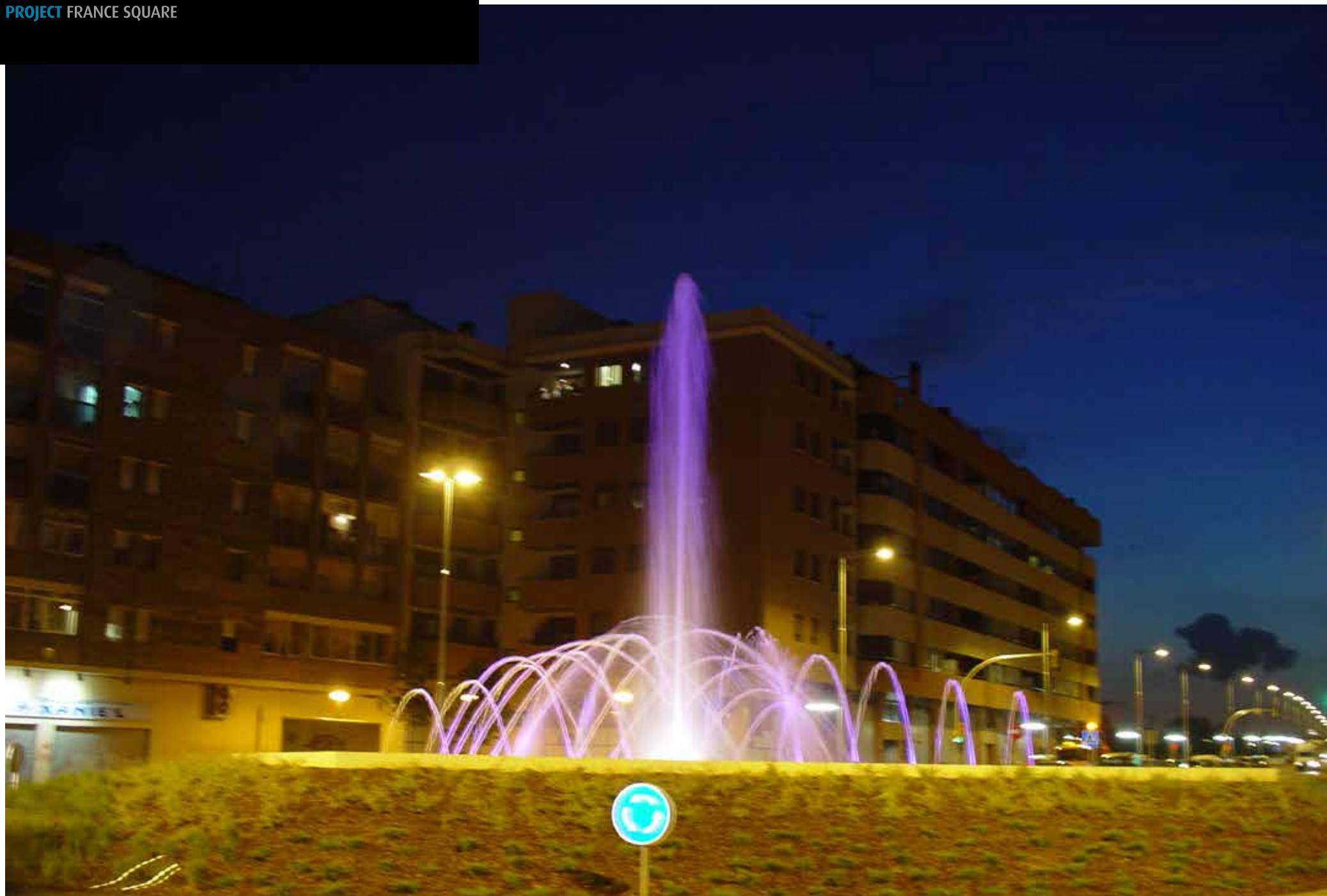
PROJECT FIRA GRAN VIA – BARCELONA, SPAIN
ARCHITECT TOYO ITO

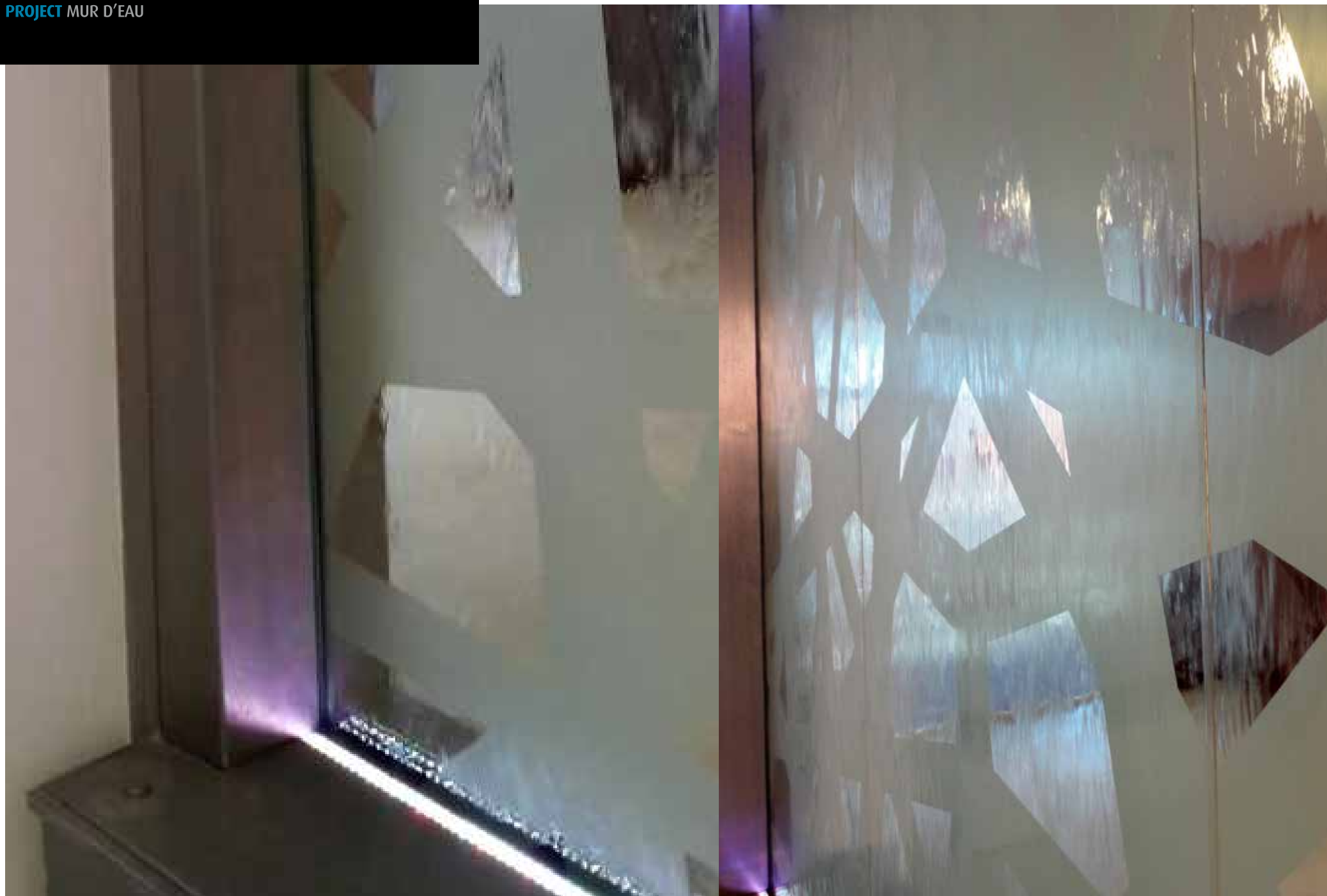










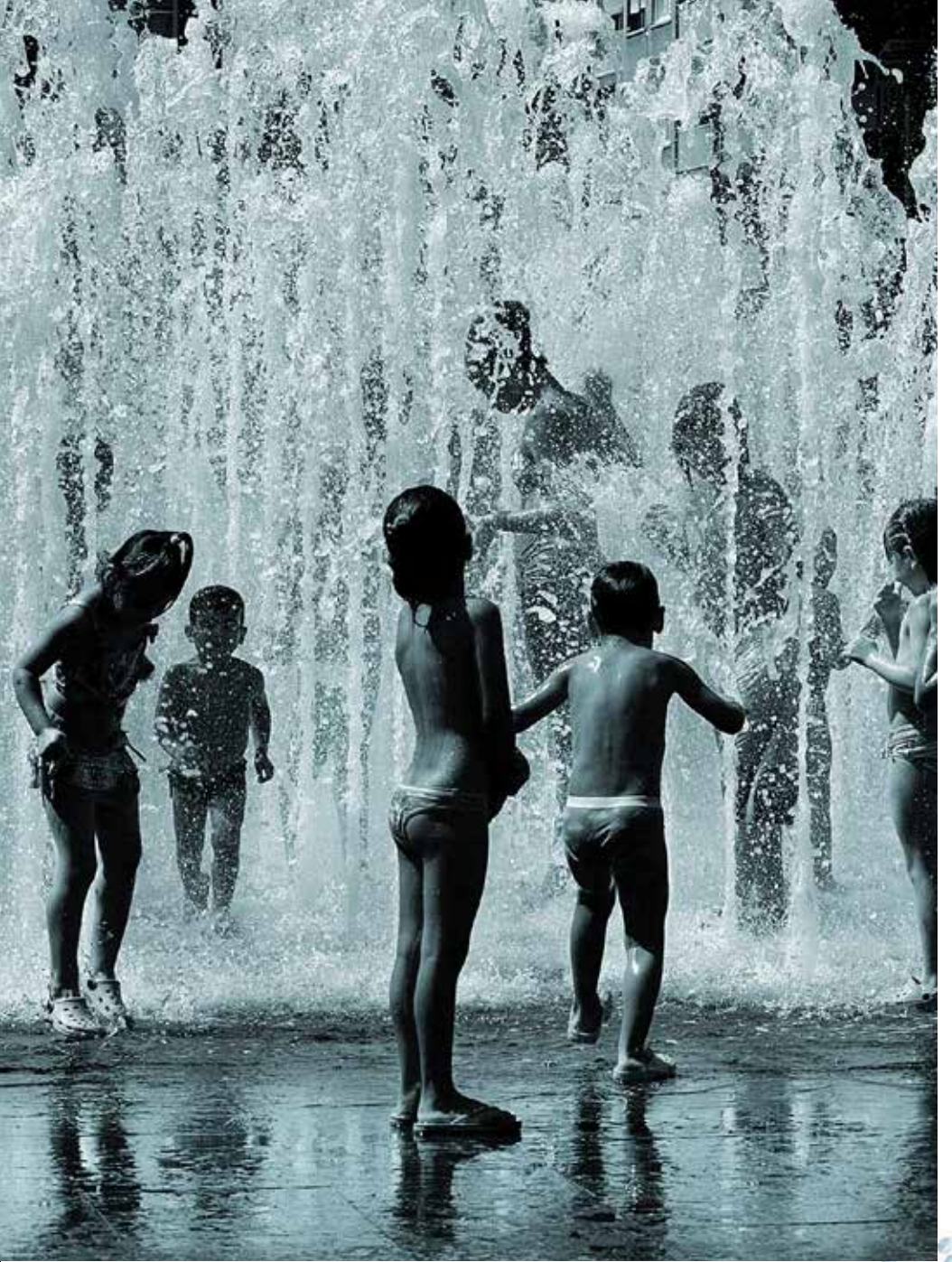


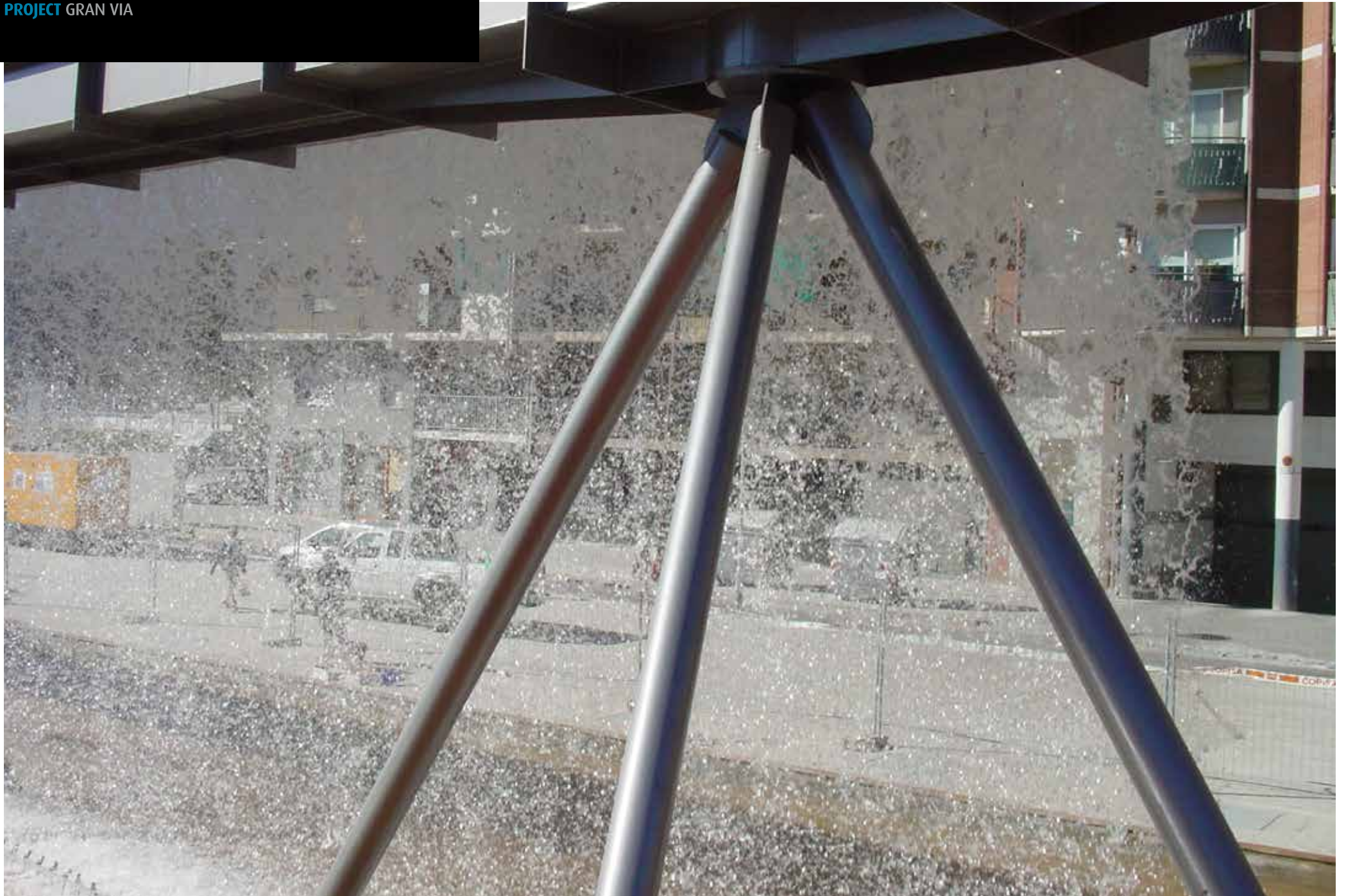
PROJECT PLAÇA DE LA PAU
ARCHITECT CARLES BUIGAS

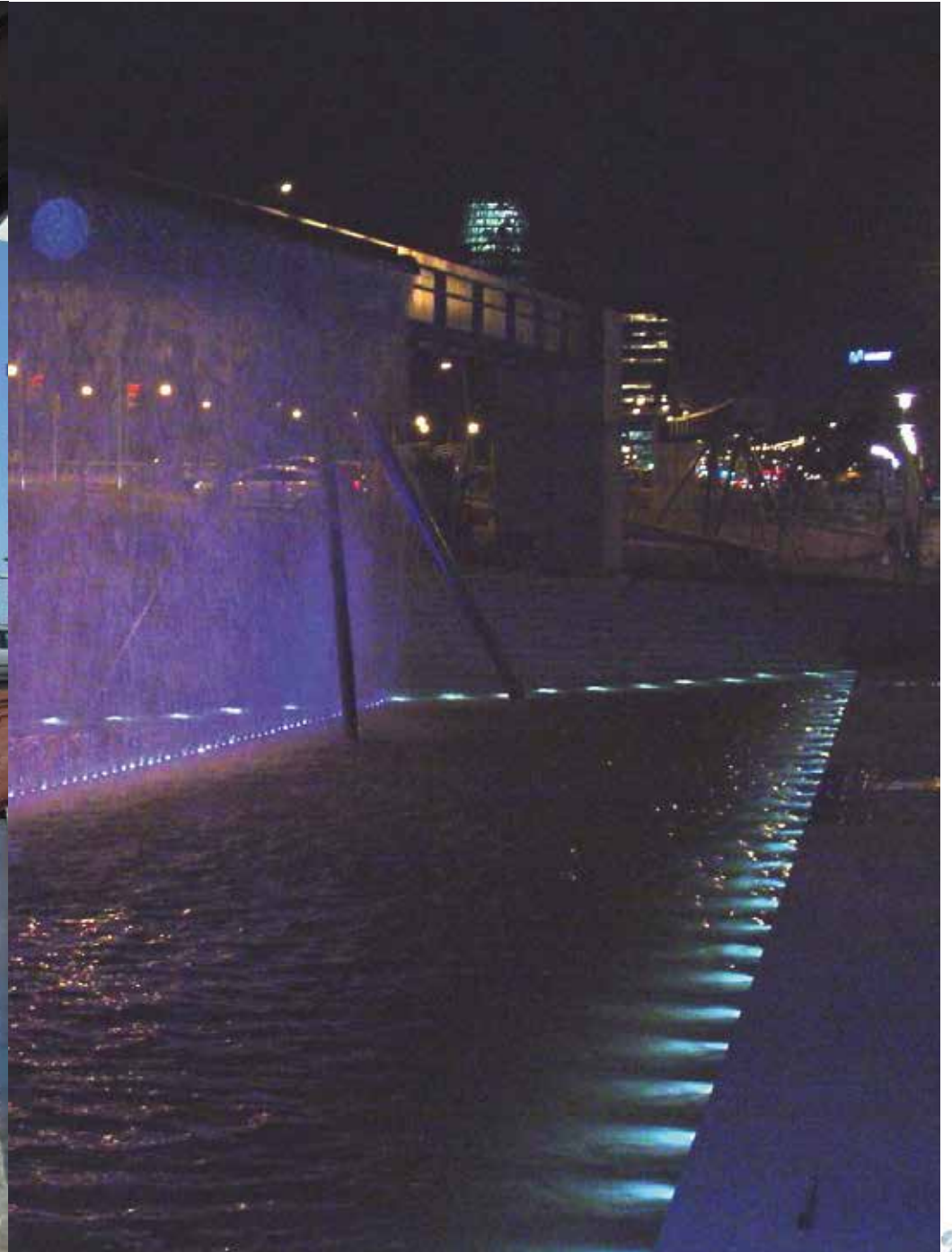


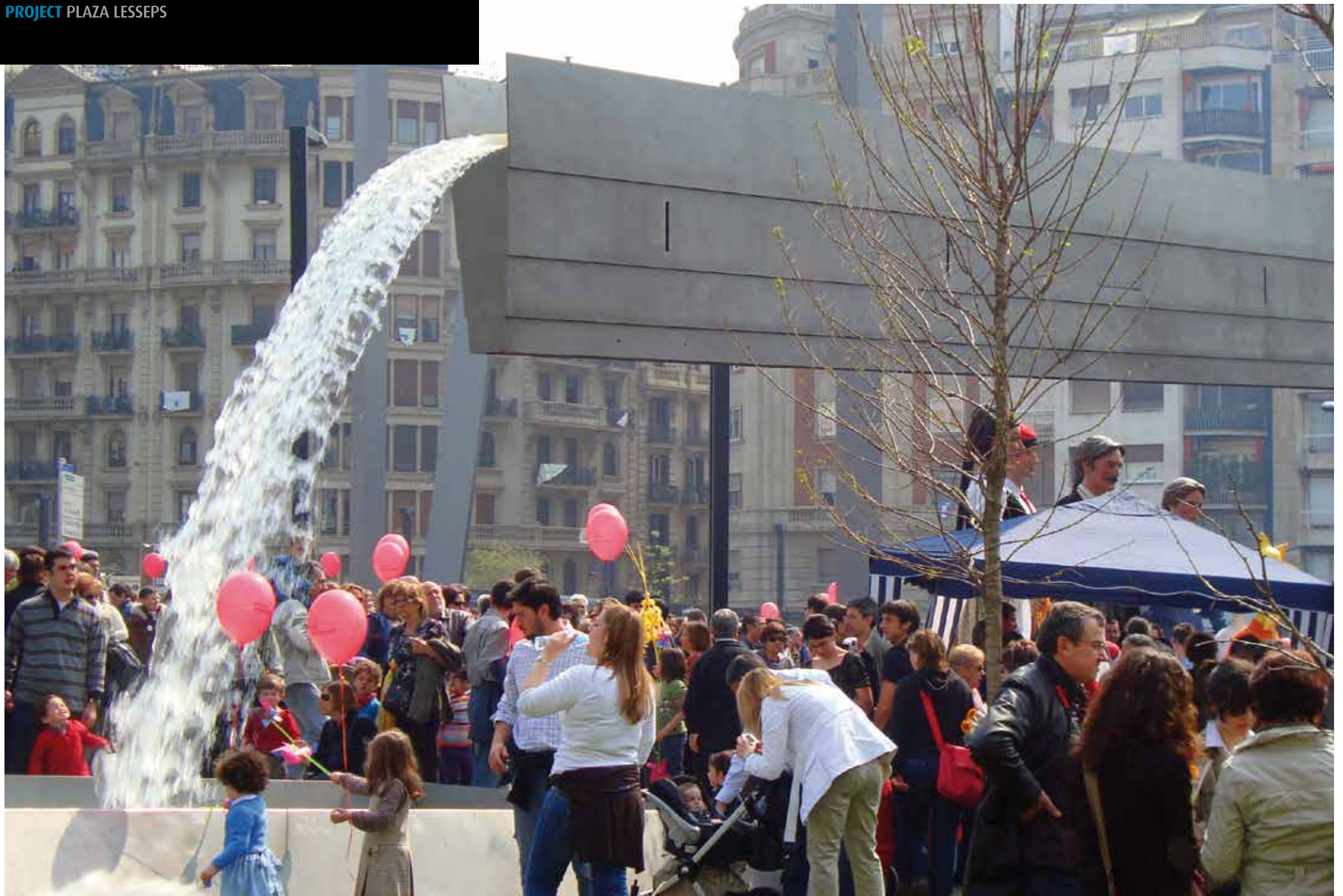






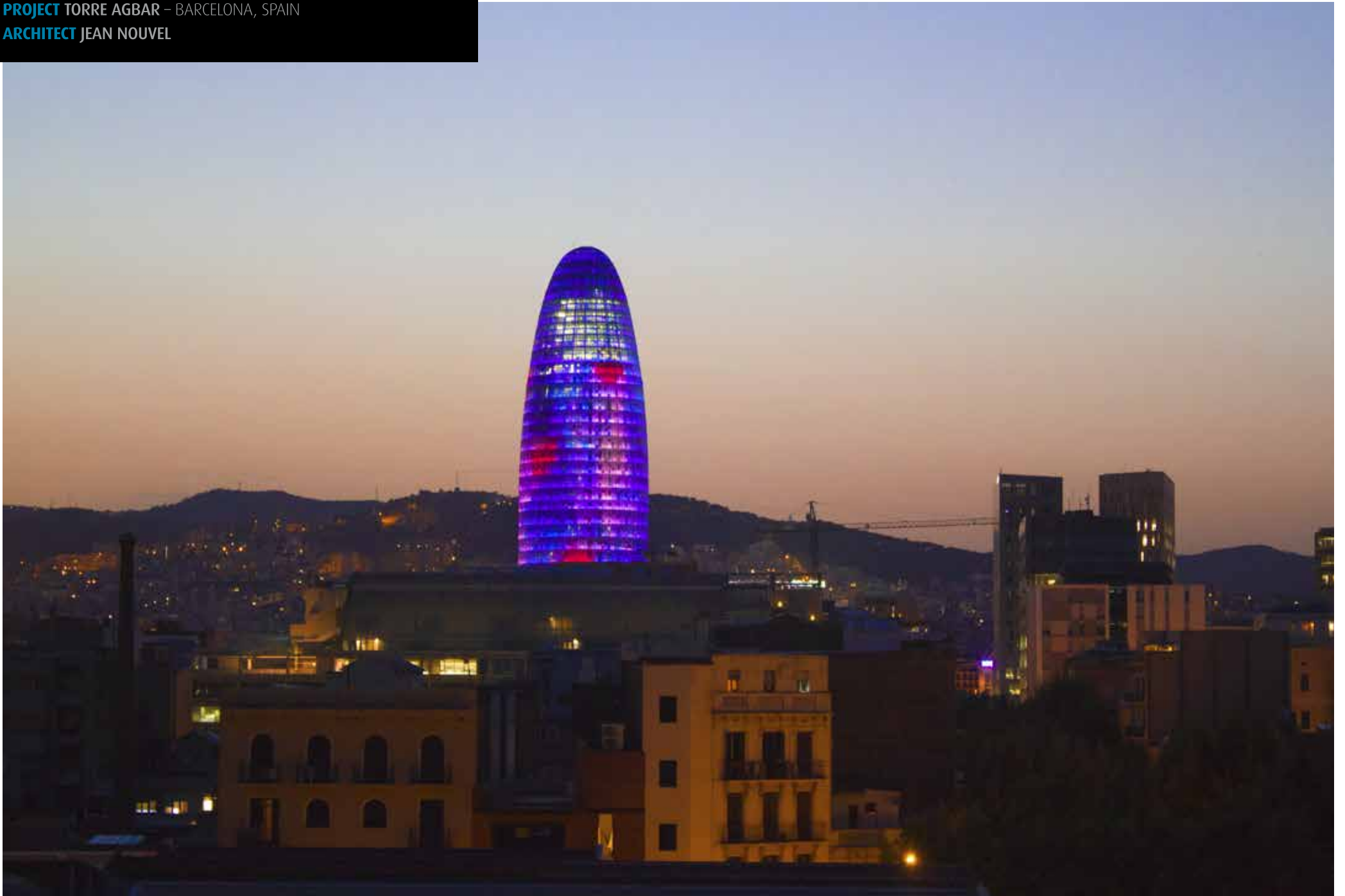








PROJECT TORRE AGBAR – BARCELONA, SPAIN
ARCHITECT JEAN NOUVEL











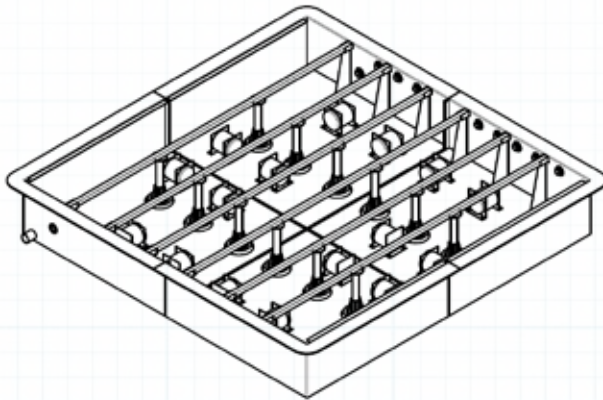


PRODUCT

DETAILS

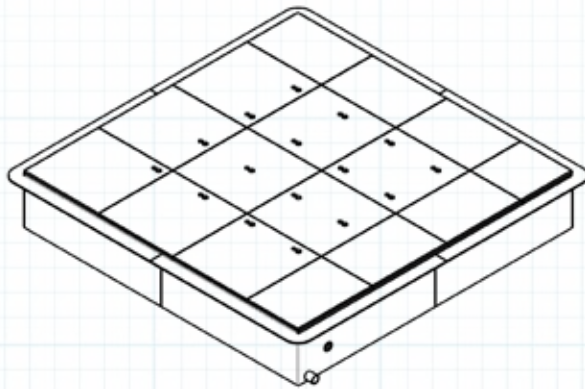
CUSTOMIZABLE FOUNTAINS

FUNSQUARE FOUNTAINS



Designed to be the funniest area for the whole family, "Funsquare" represents an amount of high speed and interactive vertical jets. It performs a sequence of ornamental effects, choreographies and games thought to be crazily played. The areas where the Funsquare is located strengthen its activity.

This effect not only causes the animation of the water and light, but also the music plays a key role creating magical choreographies. Different types of sensors such as weight, presence, pressure, ropes to pull, cameras, etc., add even more interactivity and variations to the game. Ask us for them!



CODE: •

Dimensions (L x W x H) [m]	<i>4 x 4 x 0,6 others on request</i>
Light type	<i>RGB - DMX</i>
Light Nominal Voltage [V]	<i>24 VDC</i>
Pumps Nominal Voltage [V]	<i>230 VAC</i>
Power [W]	<i>Depending on the size</i>
Jet diameter [mm]	<i>10 - 19</i>
Maximum jet height [m]	<i>4</i>
Light control	<i>DMX</i>
Funsquare system control	<i>DMX / PLC</i>
Material	<i>Stainless steel 316 / Others</i>
Weight [kg]	<i>Depending on the size</i>
Protection class	<i>IP 68</i>



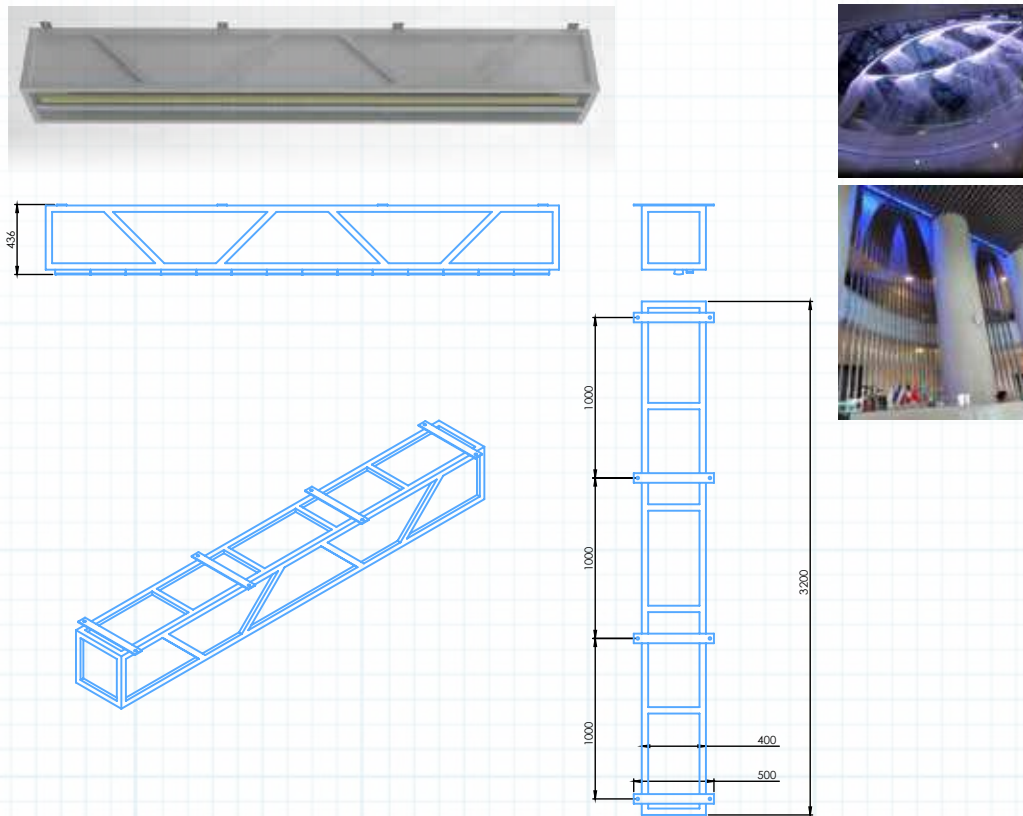
We reserve the right to change of part of the features of the articles or contents of this document, without prior notice.

CUSTOMIZABLE FOUNTAINS DIGITAL CURTAIN

Historically, mural representations have been a way to communicate and represent all kind of elements. Through a combination of water and light, these representations will be revalued in an innovative and interactive way.

The effect introduces new technologies, providing the ability to represent shapes instantly, interacting with a digital tablet. Multitude of geometric combinations, organic figures, and texts have their place within the concept of "Interactive Curtain", where you could draw and create anything you want using water and light.

Due to the force of gravity, it is important to highlight that the appropriate height should be lower than 4 meters. Interactive Curtain effect is perfect as an advertising support.



CODE: 66548

Dimensions (L x W x H) [mm]

Nominal Voltage [V]

Power consumption [W/m]

Nominal current [A]

Pressure curtain (max.) [bar]

Curtain flow [(m³/h)/m]

Water curtain high recommended [m]

System control

Material

Weight without water [kg/m]

Weight with water [kg/m]

Protection class

3200 x 500 x 436 (standard)

230 VAC

220 (without pump)

1,1

2

7

≤ 4

Watercurtain Manager Software

MF0002

Aluminium / Brass / Others

60 kg/m

80 kg/m

IP 66

CUSTOMIZABLE FOUNTAINS DIGITAL CURTAIN & APP



This exclusive application for tablets and mobile phones allows complete and real-time interaction with the digital curtain (MF0001).

Through the application, the user can send text, existing images of the preprogrammed gallery or even create new pictures. It is available for Android and iOS devices.

CODE: 66549

Curtain connection

Availability in Android

Availability in iOS

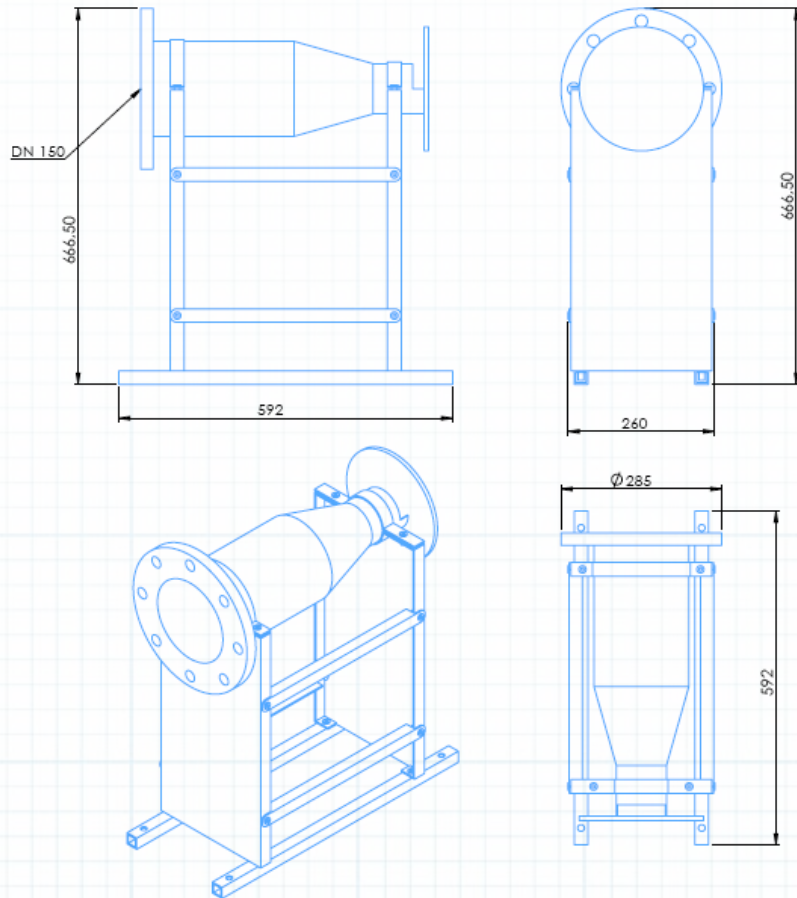
WIFI

YES

YES



CUSTOMIZABLE FOUNTAINS WATER SCREEN



This ornamental effect creates a large water smooth semicircle which will become a perfect surface on which to project video and/ or images.

The size of the “Water Screen” effect is appropriate to be able to project the standard of panoramic HDTV (16:9).

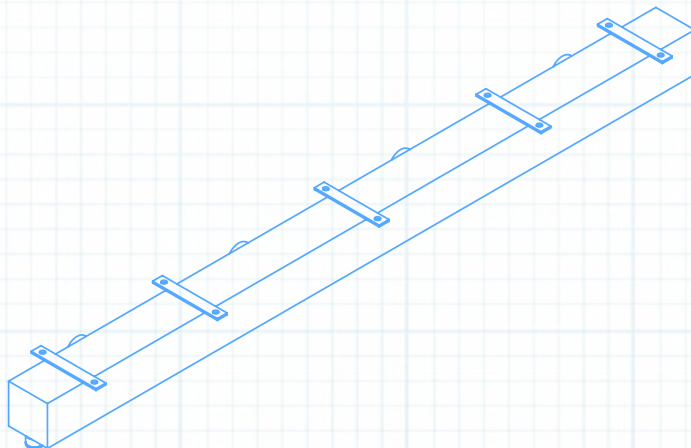
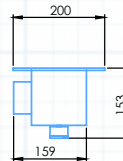
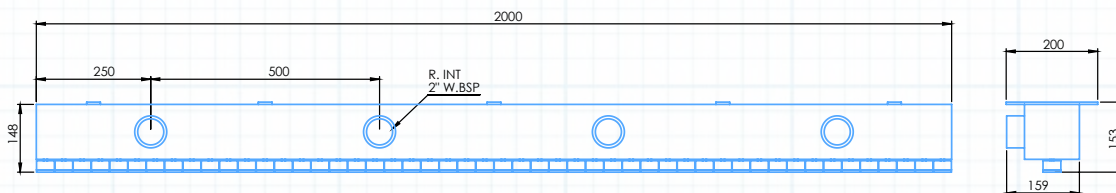
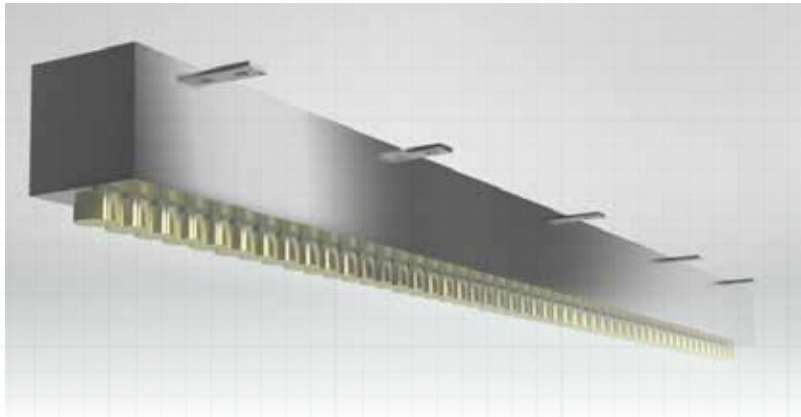
The combination of this decorative element with a video projector or a laser projector will be an effect much more visually impressive and complete.

CODE: 66550

Dimensions (L x W x H) [mm]	592 x 285 x 667
Inlet connection	Flange DN150
Screen dimensions range [m]	24 x 8 - 48 x 16
Flow range [m ³ /h]	110 - 260
Pressure range [bar]	6 - 12
Maximum water depth [mm]	500
Material	Stainless steel 316
Weight [kg]	80



CUSTOMIZABLE FOUNTAINS WATER CURTAIN



This ornamental effect creates a large Water Curtain film which will become a perfect surface on which to project video and/ or images. The size of the Water Curtain effect is appropriate to be able to project the standard of panoramic HDTV (16:9).

The combination of this decorative element with a video projector or a laser projector will be an effect much more visually impressive and complete.

CODE: 66551

Dimensions (L x W x H) [mm]	2000 x 205 x 160 (standard)
Pressure curtain (max.) [bar]	2
Curtain flow per m [(m ³ /h)/m]	7
Watercurtain high recommended [m]	≤ 4
Material	Stainless steel 316 / Brass
Weight without water [kg/m]	20 kg/m
Weight with water [kg/m]	34 kg/m



We reserve the right to change of part of the features of the articles or contents of this document, without prior notice.

CUSTOMIZABLE FOUNTAINS

MAGIC CURTAIN



One of the most innovative, stunning and amazing effect, is what we call the “Magic Curtain”. Multitude of water droplets are suspended in the air, defying gravity.

The technology used in this ornamental system allows controlling the movement of water, and deciding the direction of the drops, either up or down, or even completely floating in the air.

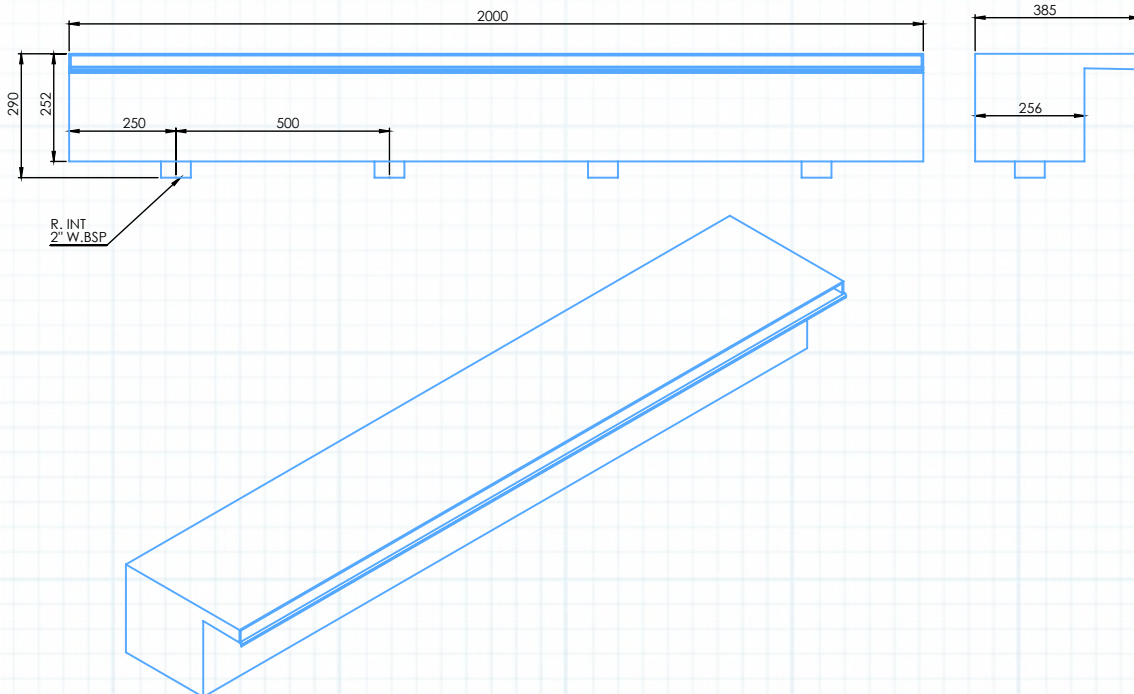
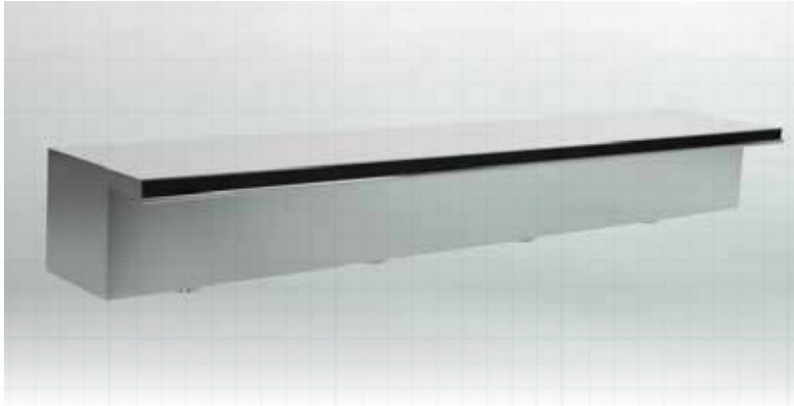
This magic and intriguing effect acts defying the laws of fluid dynamics, capturing the attention of all eyes.

It should ideally be located in an interior with a dark surface behind.

CODE: 66555

Dimensions (L x W x H) [mm]	1000 x 200 x 200 (standard)
Nominal Voltage [V]	230 VAC
Power [W/m]	500
Pressure (máx.) [bar]	1
Recommended height [m]	≤ 3
Material	Acero inoxidable 316
Protección Class	IP 68

CUSTOMIZABLE FOUNTAINS WATERFALL



This ornamental equipment produces a continuous water fall. As a result produces a soft sound of quiet and calm recreating the waves and the beach, either indoors or outdoors.

With its cutting edge design a perfect and uniform water film continuously along the whole cascade occurs (depending on the height to be placed).

It is made of AISI 316 stainless steel to ensure maximum resistance to rust and producing a high quality finish.

It's possible to maximize the ornamental effect adding a lighting system.

CODE: 66552

Dimensions (L x W x H) [mm]

2000 x 385 x 290 standard,
others on request

Fall pressure (max.) [bar]

0,5 (low pressure recommended)

Flow per m [(m³/h)/m]

12,5 (e=15mm)

Material

Stainless steel 316

Weight [kg]

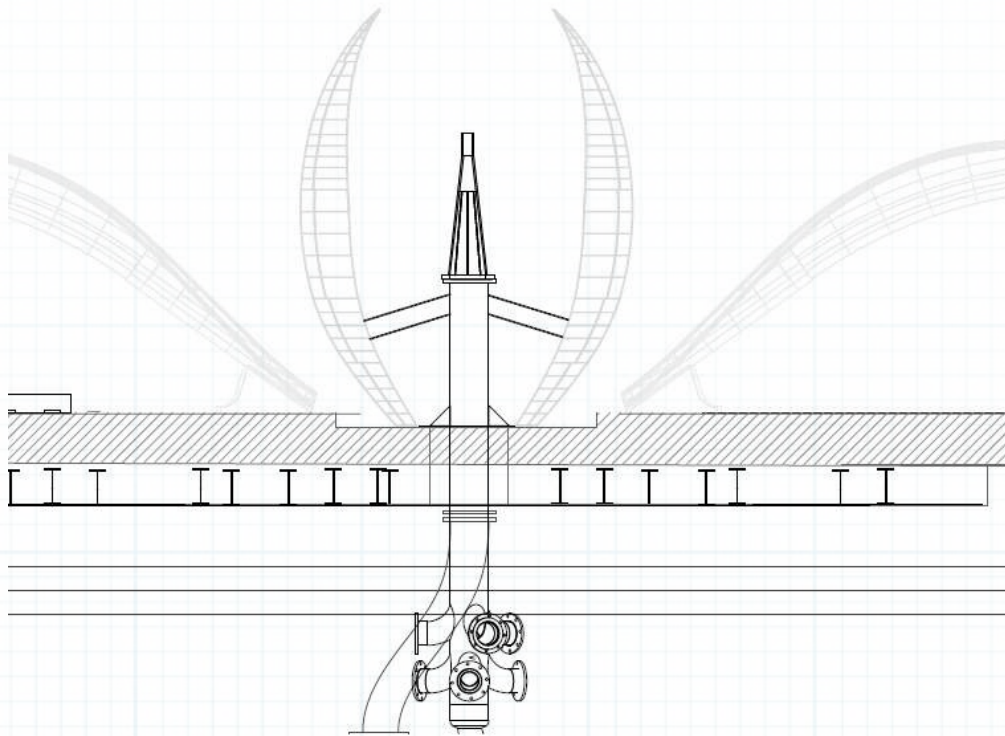
45



We reserve the right to change of part of the features of the articles or contents of this document, without prior notice.

CUSTOMIZABLE FOUNTAINS

GEYSER JET



A large water jet, impressive and imposing is the effect you get with a “Geysler”. As if it was a natural geysler, a large amount of water is thrown at a high altitude getting a line in the sky.

Combined with the appropriate lighting system, the Geysler is such a great visual image that can be seen from great distances, becoming a landmark in the landscape.

This ornamental effect can be placed in freshwater or saltwater, in the open sea, with a fixed or floating structure.

CODE: •

Dimensions (L x W x H) [m]

Depending on the size

Nominal Voltage [V]

400 VAC

Power [W]

Depending on the size

Jet diameter [mm]

On request

Jet height [m]

On request

Material

Stainless steel 316

Weight [kg]

Depending on the size

Protection class

IP 68

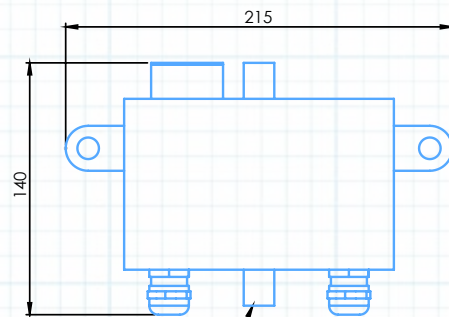
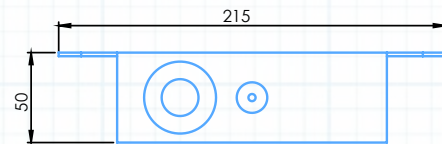
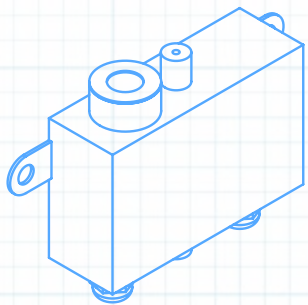


CUSTOMIZABLE FOUNTAINS COSMOS



The resulting effect of "Cosmos" is a sequence of perfect spherical water droplets that float in the air, performing vertical jumps. These movements emulate a system with cosmic water particles that act randomly.

The illumination emphasizes the effect producing an unknown show of different colored particles. Cosmos can interchange the drops with another astonishing effect: small vertical jets extremely fast performing long games, with the ability to create high-speed chases, waves, games, etc.



R. EXT
3/8" W.BSP



CODE: 66553

Dimensions (L x W x H) [mm]	215 x 50 x 140
Light type	RGB - DMX
Light Nominal Voltage [V]	24 VDC
Cosmos Nominal Voltage [V]	24 VDC
Power (Light) [W]	4,5
Power (Cosmos) [W]	11
Power (Total) [W]	15,5
Nominal Current [A]	0,5
Water Inlet connection	3/8" G
Jet diameter [mm]	4
Jet function flow h=1m [m3/h]	0,12
Pressure (max.) [bar]	1,5
Light control	DMX (3 channels)
Cosmos control	Relay / DMX (1 channel)
Material	Stainless steel 316 / Brass / Other
Weight [kg]	3
Protection class	IP 68

We reserve the right to change of part of the features of the articles or contents of this document, without prior notice.

CUSTOMIZABLE FOUNTAINS ARTIFICIAL LAKES



Artificial lakes take us to an environment of pure nature, reminding us of the natural origin of the earth and bringing us in contact with wildlife evoking peace and serenity and bringing an space to relax.

There are many different solutions depending on the salinity, type of water, environment, climate, etc. but also according to the desired option either artificial lakes without wildlife or fully naturalized lakes and self-sustaining. That is why it is necessary to study each case in detail to find the solution and accordingly the equipment required.

Portfolio of Solutions

Filtration	Active Clear Glass / Ring Filters
Water treatment	Regulation and control equipment
Water recirculation	Submersible or horizontal solutions
Oxygenation	Oxygen dosing
UV	Different diameters and consumptions
Electromagnetic waves	Depending on water quality
Animals and plants	Different solutions



Urban artificial lake without plants and animals



Artificial lake in a Mall with plants and animals



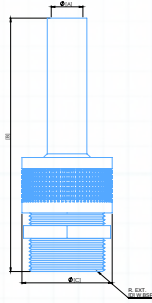
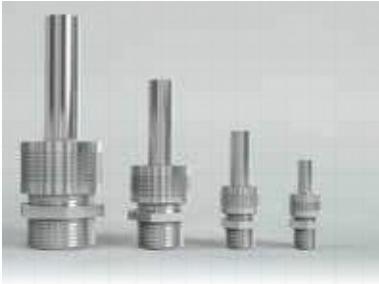
Oxygen dosing



Urban artificial lake without plants and animals

JETS

SPEAR NOZZLE



Spear Nozzle is the most polyvalent nozzle for the design of any ornamental fountain.

They are entirely made out of AISI 316 stainless steel, which provides high sturdiness and oxidation resistance, and providing a stylish finish to the fountain. They can be made of brass on request.

It has an adjustable joint until 20° to correct the jet outlet in case of misalignment of manifolds or pipes, or to create parabolas without additional accessories.

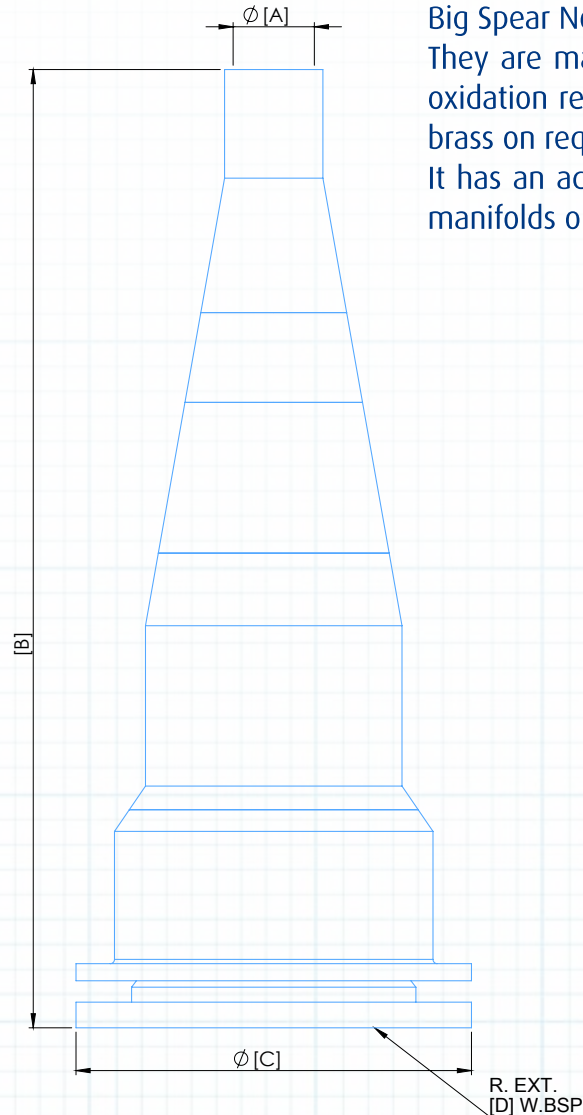
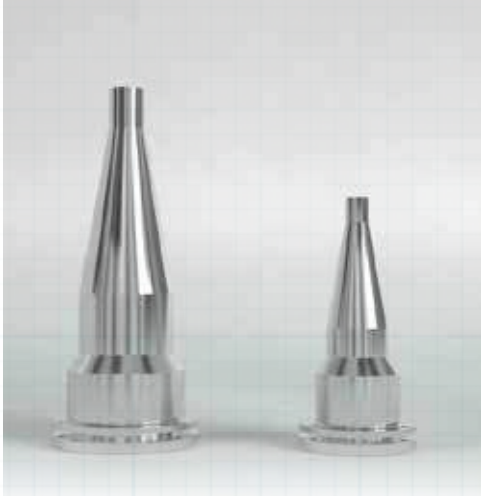
SPEAR NOZZLE

NOZZLE REFERENCE INLET JET DINAMETER A DIMENSIONS Bx C	SPEAR NOZZLE 6		SPEAR NOZZLE 8		SPEAR NOZZLE 10		SPEAR NOZZLE 12		SPEAR NOZZLE 14		SPEAR NOZZLE 16		SPEAR NOZZLE 20	
	66639	66640	66641	66642	66643	66644	66645	G 3/8" M	G 1/2" M	G 1/2" M	G 1" M	G 1" M	G 1-1/2" M	G 1-1/2" M
JET DINAMETER A	Ø 6 mm	Ø 8 mm	Ø 10 mm	Ø 12 mm	Ø 14 mm	Ø 16 mm	Ø 20 mm							
DIMENSIONS Bx C	60x22 mm	80x27 mm	80x27 mm	115x42 mm	115x42 mm	160x57 mm	160x57 mm							
JETS HEIGHT [m]	l/min	mca	l/min	mca	l/min	mca	l/min	mca	l/min	mca	l/min	mca	l/min	mca
0,5	4,9	0,6	9,6	0,7	15,8	0,8	25,4	1,0	31	0,9	46	1,0	70	1,2
0,75	6,1	0,9	11,6	0,9	19,3	1,1	30,2	1,3	38	1,2	55	1,3	80	1,3
1	7,2	1,2	13,3	1,3	21,9	1,4	33,6	1,5	44	1,4	62	1,5	87	1,5
1,25	8,5	1,4	15,9	1,6	24,8	1,7	39,0	2,0	51	1,8	70	1,9	95	1,8
1,5	9,6	1,7	17,1	1,8	27,8	2,0	40,9	2,1	55	2,1	76	2,1	104	2,1
1,75	11,0	2,0	19,5	2,1	32,0	2,4	45,8	2,6	61	2,4	82	2,4	111	2,4
2	11,6	2,4	20,4	2,4	32,4	2,7	46,6	2,7	65	2,7	88	2,6	119	2,7
2,5	13,2	3,0	23,2	3,1	36,6	3,4	51,9	3,2	72	3,3	99	3,2	135	3,3
3	14,7	3,7	25,8	3,7	40,3	4,1	57,2	3,8	81	4,0	108	3,7	148	4,0
3,5	15,6	4,3	28,1	4,4	44,3	4,8	62,9	4,5	88	4,7	117	4,5	160	4,6
4	16,5	5,0	30,3	5,0	48,6	5,6	66,4	5,0	94	5,3	125	5,1	171	5,2
5			35,0	6,1	54,8	7,1	75,1	6,2	107	6,6	138	6,0	197	6,4
6					60,4	8,6	83,9	7,5	118	7,9	150	7,5	217	7,6
7							91,7	8,6	129	9,3	164	8,5	238	8,9
8							98,2	9,8	139	10,5	176	9,6	257	10,2
9									149	11,8	187	11,2	274	11,3
10									156	13,1	198	12,5	290	12,6
11											208	13,8	306	13,9
12											216	14,6	322	15,1
14													348	17,6

We reserve the right to change of part of the features of the articles or contents of this document, without prior notice.

JETS

BIG SPEAR NOZZLE



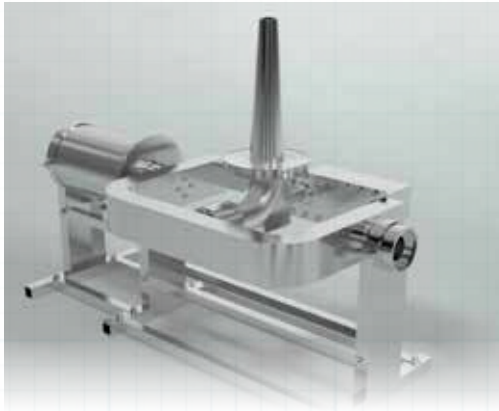
Big Spear Nozzle is a nozzle designed for ornamental fountains with great height jets. They are made entirely of AISI 316 stainless steel, which provides high sturdiness and oxidation resistance, and provides a stylish finish at the fountain. They can be made of brass on request. It has an adjustable joint until 10θ to correct the jet outlet in case of misalignment of manifolds or pipes.

BIG SPEAR NOZZLE

NOZZLE REFERENCE	BIG SPEAR NOZZLE 25	BIG SPEAR NOZZLE 38		
INLET	G 2-1/2" F	G 4" F		
JET DIAMETER A	ϕ 25 mm	ϕ 38 mm		
DIMENSIONS BxC	310x145 mm	450x185 mm		
JETS HEIGHT [m]	l/min	mca	l/min	mca
10	440	13,5	895	13,0
12,5	485	17,0	990	16,5
15	550	20,0	1110	19,5
20	615	27,5	1300	26,0
25	680	34,0	1440	32,0
30	760	42,0	1625	39,0
35	810	48,0	1760	46,0
40	865	55,0	1850	52,0
50	970	65,0	2080	65,0

JETS

SWING DANCER JET

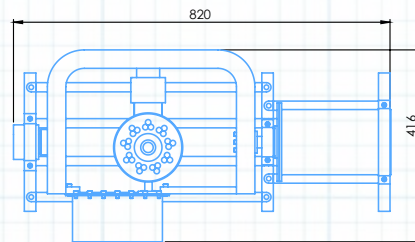
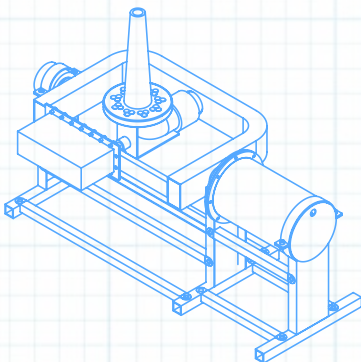
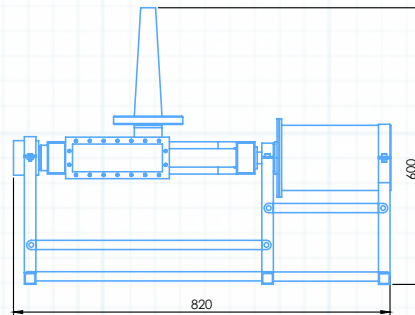
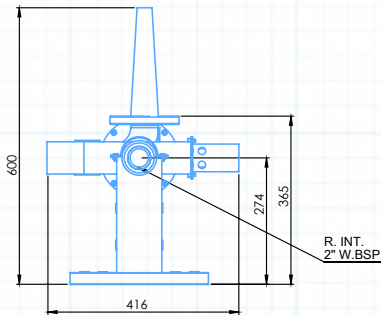


As a ballet where the stage is located on the water, the “Swing Dancer Jet” effect provides a show of light, color and graceful movements that allow expressing feelings and emotions transmitted through the charisma of water and light.

The multidirectional spout generates unique movements that create lots of shapes and figures. The control will allow more and less speed, faster and slower dances and more dynamic and elegant movements.

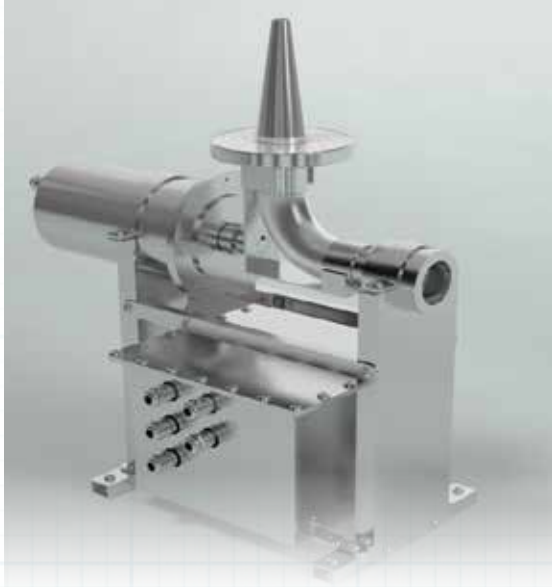
CODE: 66556

Dimensions (L x W x H) [mm]	820 x 420 x 600
Light type	RGB - DMX
Light Nominal Voltage [V]	24 VDC
Dancer Jet Nominal Voltage [V]	230 VAC
Power (Light) [W]	60
Power (Dancer) [W]	320
Power (Total) [W]	380
Nominal current [A]	1,7
Water Inlet connection	2" G
Jet diameter [mm]	22 / 25 optional
Maximum water depth [mm]	400
Jet movement range X axis [°]	-70 / 70
Jet movement range Y axis [°]	-70 / 70
Jet movement velocity in axis X, Y [°/s]	0 - 250
Light control	DMX (3 channel)
Dancer Jet system control	DMX (6 channel)
Material	Stainless steel 316
Weight [kg]	48
Dynamic Jet Height	With individually pump and frequency inverter
Protection class	IP 68



We reserve the right to change of part of the features of the articles or contents of this document, without prior notice.

JETS DANCER JET

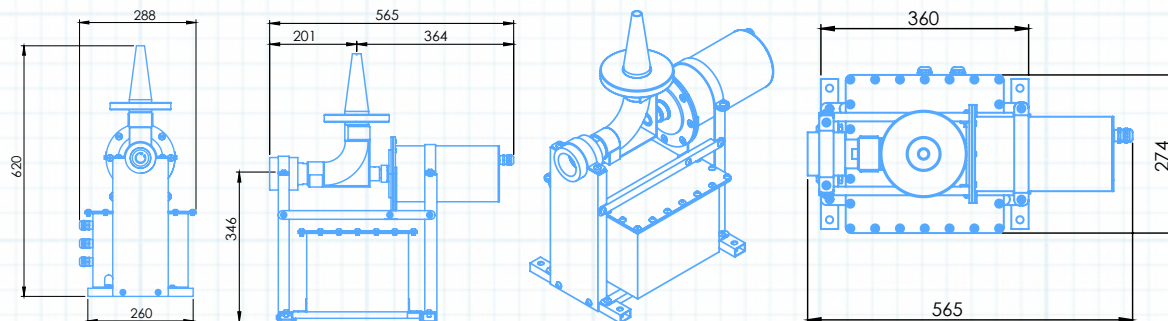


Rhythmic and elegant movements, combined with the swing of the water provided by the “Dancer jet” contribute to create new sensations and dynamism solely by the movement of the fluid.

The combination of light and water effects make it something innovative and spectacular, and without any doubt, encourage the set of ornaments intended for the enjoyment of spectators.

The Dancer jet follows any kind of rhythm with its axis movement.

The sequence of units of this product enhances the effect exponentially, creating interesting shows extremely suggestive.



CODE: 66558

Dimensions (L x W x H) [mm]	565 x 275 x 620
Light type	RGB - DMX
Light Nominal Voltage [V]	24 VDC
Dancer Jet Nominal Voltage [V]	230 VAC
Power (Light) [W]	30
Power (Dancer) [W]	160
Power (Total) [W]	190
Nominal current [A]	0,9
Water Inlet connection	1-1/2" G
Jet diameter [mm]	16 / 19 optional
Maximum water depth [mm]	400
Jet movement range [°]	-70 / 70
Jet movement velocity [°/s]	0 - 250
Light control	DMX (3 channel)
Dancer Jet system control	DMX (3 channel)
Material	Stainless steel 316
Weight [kg]	24
Dynamic Jet Height	With individually pump and frequency inverter
Protection class	IP 68



We reserve the right to change of part of the features of the articles or contents of this document, without prior notice.

JETS

GLASSY JET WITH JUMPING EFFECT

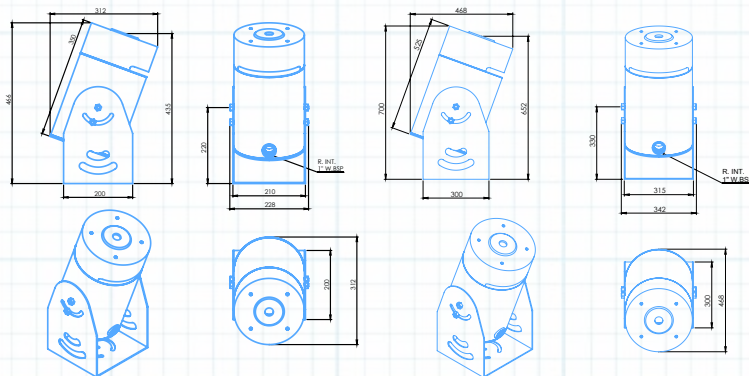
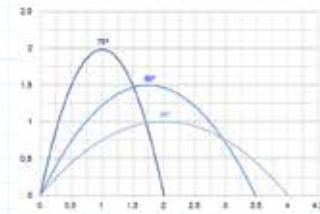
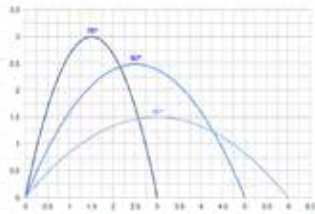
Crystalline laminar nozzle that does not split any drop of water from the beginning to the end, being a parabolic perfect path and working on the limits of the fluid dynamics laws, equivalent to a pipe of glass or fiber optics.

The Glassy jets drive the light inside the water during the whole path, illuminating only the water and not creating any lighting contamination.

There also exists the possibility of performing small cuts with the "Jumping" effect option, which obtains small pieces of water that fly following the parabolic path.

CODE: 66560

CODE: 66562



Dimensions (L x W x H) [mm]

Light type

Light Nominal Voltage [V]

Jumping Nominal Voltage [V]

Power (Jumping) [W]

Power (Light) [W]

Power (Total) [W]

Water Inlet connection

Jet diameter [mm]

Maximum water depth [mm]

Jet rake range [°]

Light control

Jumping system control

Material

Weight [kg]

Dynamic parabola

Maximum parabola of water

Flow (max. parabola) [m³/h]

Pressure (max. parabola) [bar]

Hydraulic operation

CODE: 66560

330 x 230 x 470

RGB - DMX

24 VDC

24 VDC

24

4,5

28,5

1" G

12 standard / 14 optional

300

30-90

DMX (3 channel)

Relay / DMX (1 channel)

Stainless steel 316

12

With individually pump and frequency inverter

4

2

0,4

130 microns filtered water

CODE: 66562

490 x 350 x 700

RGB - DMX

24 VDC

24 VDC

24

4,5

28,5

1" G

16 standard / 18 optional

470

30-90

DMX (3 channel)

Relay / DMX (1 channel)

Stainless steel 316

20

With individually pump and frequency inverter

6

4,2

0,6

130 microns filtered water

We reserve the right to change of part of the features of the articles or contents of this document, without prior notice.

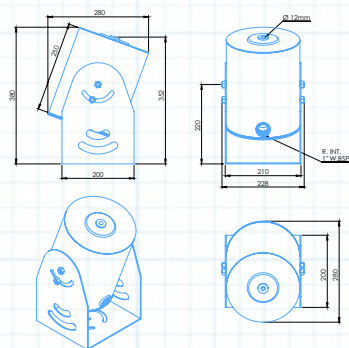
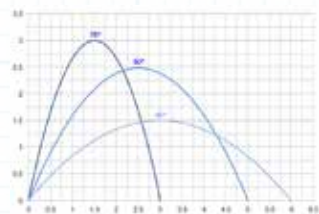
JETS GLASSY JET

Crystalline laminar nozzle that does not split any drop of water, from the beginning to the end, being a parabolic perfect path and working on the limits of the fluid dynamics laws, equivalent to a pipe of glass or fiber optics.

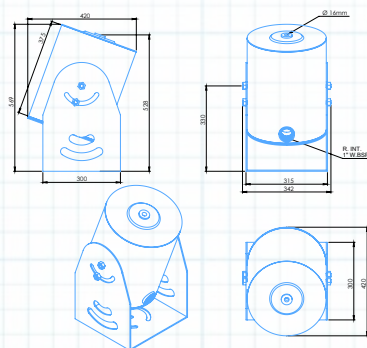
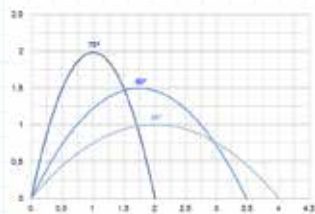
The Glassy jets drive the light inside the water during the whole path, illuminating only the water and not creating any lighting contamination.

There also exists the possibility of performing small cuts with the "Jumping" effect option, which obtains small pieces of water that fly following the parabolic path.

CODE: 66559



CODE: 66561



Dimensions (L x W x H) [mm]

Light type

Light Nominal Voltage [V]

Jumping Nominal Voltage [V]

Power (Jumping) [W]

Power (Light) [W]

Power (Total) [W]

Water Inlet connection

Jet diameter [mm]

Maximum water depth [mm]

Jet rake range [°]

Light control

Jumping system control

Material

Weight [kg]

Dynamic parabola

Maximum parabola of water

Flow (max. parabola) [m³/h]

Pressure (max. parabola) [bar]

Hydraulic operation

CODE: 66559

300 x 230 x 380

RGB - DMX

24 VDC

-

-

4,5

4,5

1" G

12 standard / 14 optional

300

30-90

DMX (3 channel)

Relay / DMX (1 channel)

Stainless steel 316

10

With individually pump and frequency inverter

4

2

0,4

130 microns filtered water

CODE: 66561

490 x 350 x 700

RGB - DMX

24 VDC

-

-

4,5

4,5

1" G

16 standard / 18 optional

470

30-90

DMX (3 channel)

Relay / DMX (1 channel)

Stainless steel 316

18

With individually pump and frequency inverter

6

4,2

0,6

130 microns filtered water

JETS

ROCKET JET



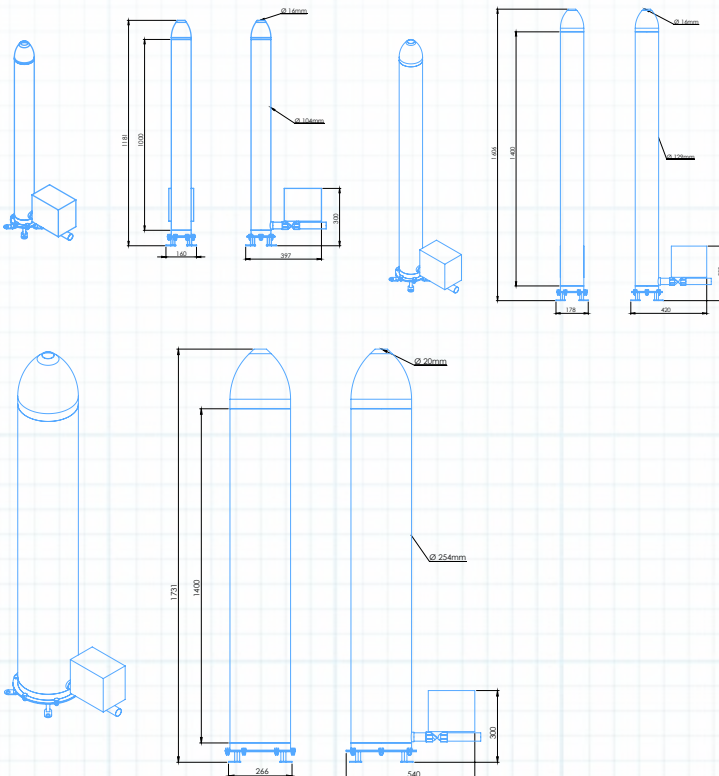
The "Rocket jet" effect will act like directed explosions and will rise up to big heights really fast over the buildings.

This effect has an independent and extremely fast drive that can reach variable heights up to 100 meters.

The explosion of water creates a perfect vertical line, becoming the center of attention.

The lighting reinforces the verticality, turning the water into a powerful beam of light, which rises at high speeds, drawing colored lines on the water.

The combination of several units of this effect will create spectacular chases of high speed sequences.



	CODE: 66564	CODE: 66565	CODE: 66566
Dimensions (L x W x H) [mm]	400 x 160 x 1180	420 x 180 x 1600	560 x 270 x 1750
Nominal Voltage [V]	24 VDC	24 VDC	24 VDC
Power [W]	7	7	7
Nominal Current [A]	0,3	0,3	0,3
Air Inlet connection	1/2" G	1" G	1-1/2" G
Air pressure (max.) [bar]	4	10	25
Maximum water depth [mm]	1150	1570	1720
Minimum water depth [mm]	1100	1520	1670
Jet diameter [mm]	16	16	20
Water / Shot [l]	8	18	68
Jet height [m]	10	25	50
System control	Relay / DMX (1 ch.)	Relay / DMX (1 ch.)	Relay / DMX (1 ch.)
Material	Stainless steel 316	Stainless steel 316	Stainless steel 316
Weight [kg]	11	21	40

We reserve the right to change of part of the features of the articles or contents of this document, without prior notice.

JETS

ROCKET JETS



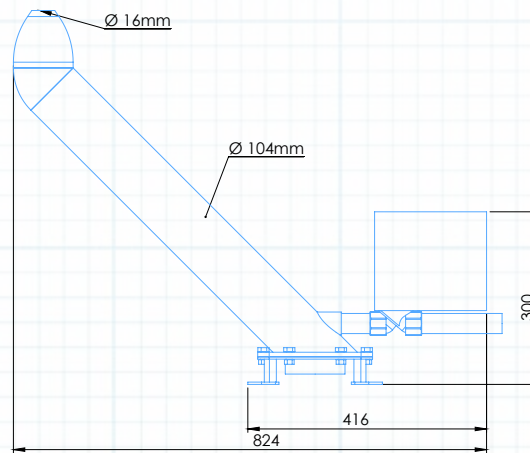
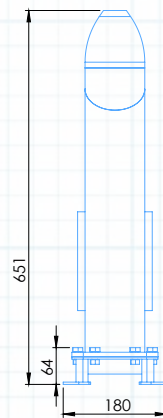
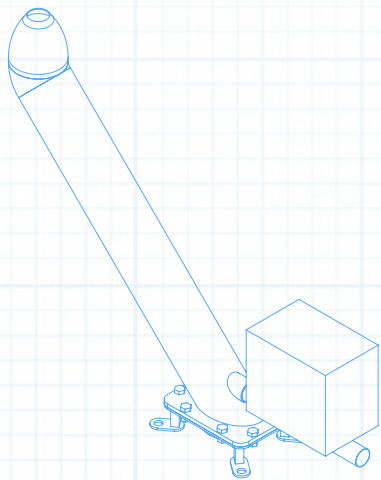
The "Rocket jet" effect will act like directed explosions and will rise up to big heights really fast over the buildings.

This effect has an independent and extremely fast drive that can reach variable heights up to 100 meters.

The explosion of water creates a perfect vertical line, becoming the center of attention.

The lighting reinforces the verticality, turning the water into a powerful beam of light, which rises at high speeds, drawing colored lines on the water.

The combination of several units of this effect will create spectacular chases of high speed sequences.



CODE: 66563

Dimensions (L x W x H) [mm]	825 x 180 x 650
Nominal Voltage [V]	24 VDC
Power [W]	7
Nominal Current [A]	0,3
Air Inlet connection	1/2" G
Air pressure (max.) [bar]	2,5
Maximum water depth [mm]	620
Minimum water depth [mm]	570
Jet diameter [mm]	16
Water / Shot [l]	5
Jet height [m]	6
System control	Relay / DMX (1 channel)
Material	Stainless steel 316
Weight [kg]	9

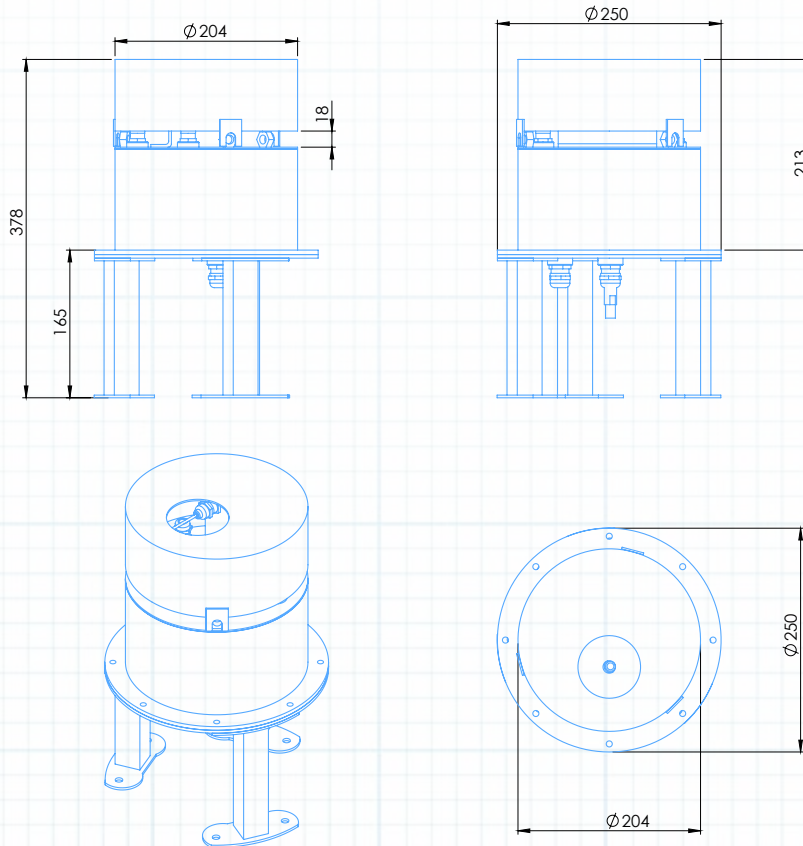
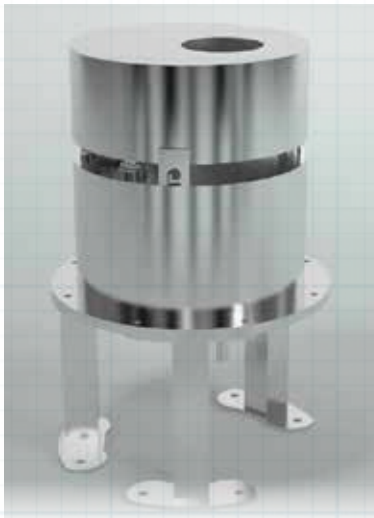
JETS

FIRE JET

The stylized, tall and controlled fire jet produce an eye-catching effect, not commonly seen, and even less in a fountain! Fire has always been an important element that emanates power and strength, and in a fountain spectacle, it can add the cherry on the cake.

Water and fire, two opposed elements that marry perfectly when we offer a magic show; an explosive combination and also the most impressive. The hard work done leads in a new concept: a variety of colors for the fire jets: blue, yellow, green,...

The fire treatment offered does not smell or produce smoke because it does not use gas or fuel, becoming a clean flame, clear and without smoke. The fluid that creates the fire is a product of easy availability everywhere.



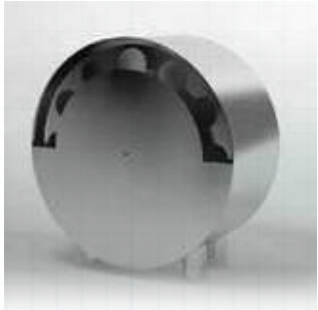
CODE: 66567

Dimensions (L x W x H) [mm]	250 x 250 x 380
Nominal Voltage [V]	230 VAC
Power [W]	500
Nominal Current [A]	2,7
Inlet connection	1/4" G
Pressure (max.) [bar]	16
Maximum water depth [mm]	250
Jet height [m]	6 - 10
System control	Relay / DMX (1 channel)
Material	Stainless steel 316
Weight [kg]	6
Protection class	IP 68

We reserve the right to change of part of the features of the articles or contents of this document, without prior notice.

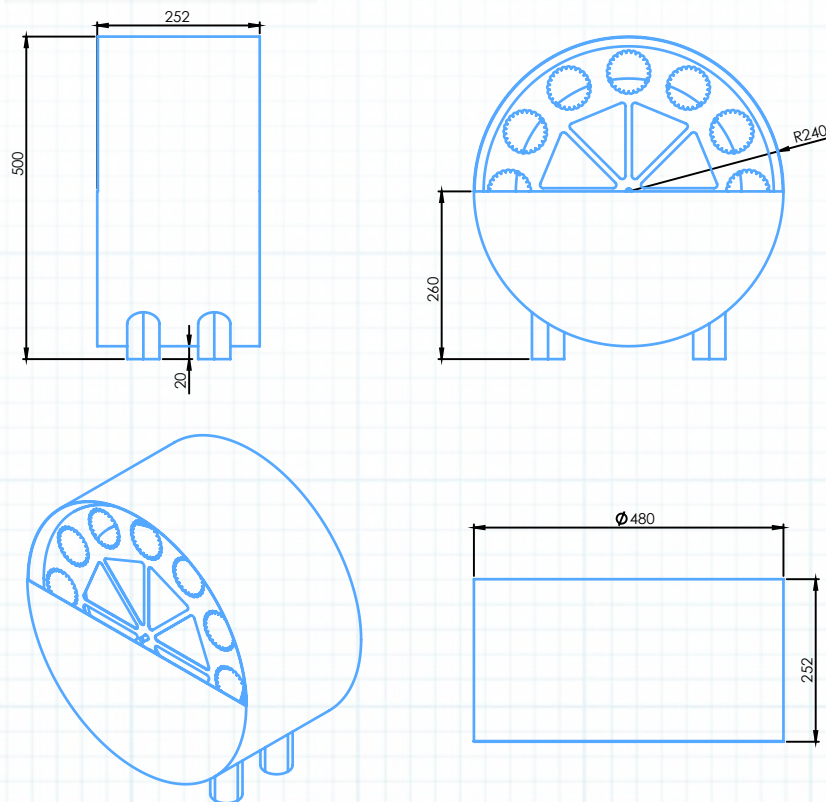
JETS

BUBBLE JET



It is now a reality to have thousands of bubbles floating in a fountain spectacle. Bubble jet produces huge quantities of bubbles with different sizes both small and large.

Imagine surrounding yourself and the spectacle you are watching with bubbles creating an special illumination with the reflexes of thousands of units, the feeling of being inside a tale, in a wonderland on a stream of bubbles.



CODE: 66568

Dimensions (L x W x H) [mm]	252 x 480 x 500
Nominal Voltage [V]	230 VAC
Power [W]	200
Nominal Current [A]	1,1
Inlet connection	1" G
Consumable fluid	Bubble fluid
Fluid consumption [l/h]	1,5
Bubbles diameter [cm]	15 - 20
Capacity [l]	6
System control	Relay / DMX (1 ch.)
Material	Stainless steel 316
Weight [kg]	9
Protection class	IP 66

INTERACTION INMOTION SYSTEM



InMotion system is a modern and technologic way to control the fountain actuations; in which the users will be able to manage and control, by using their own body signals and gestures, the fountain actuations. This way, once the user rise the arms, the jets will grow fast; when the user lower arms, the fountain acts accordingly.

This system turns even more appropriate for funsquare type fountains, and in the ones with Swing Dancer or Dancer jets.

CODE: 66573

Detection range [m]

5 – 10 m

Connection

Ethernet

Recognized gestures

Dynamic gestures

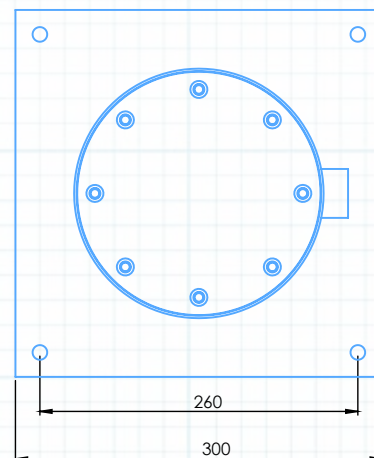
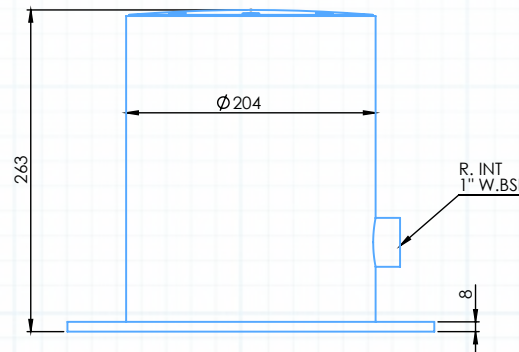
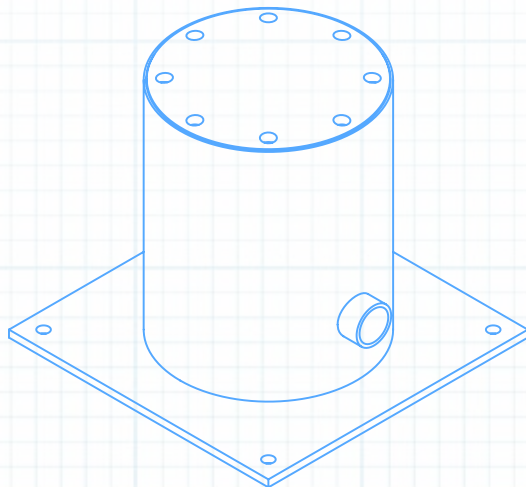
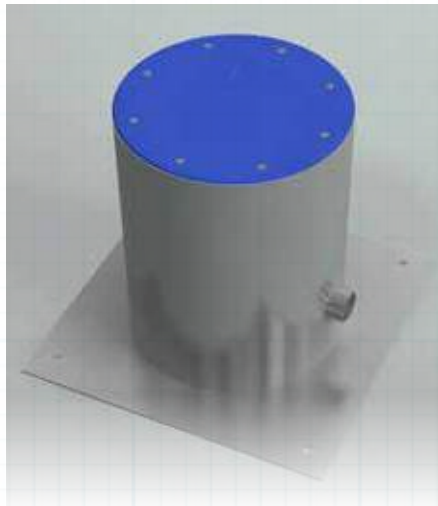
Static gestures



We reserve the right to change of part of the features of the articles or contents of this document, without prior notice.

INTERACTION

INTERACTIVE SENSORS & ROPES



The interactive sensors are the perfect complement to be placed in any ornamental fountain.

Each sensor can produce a different variability into the fountain actuation in real time, producing a guaranteed fun for the whole family.

There are different types of sensors, buttons on the floor, ropes which detect traction or weight sensors, each one producing a different ornamental effect.

CODE: BUTTON 66574 ROPE 66575 WEIGHT 66576

Dimensions (L x W x H) [mm]	300 x 300 x 263
Nominal Voltage [V]	24V DC
Output	Digital Output / Analog Output
Inlet Connection	1"
Material	Stainless steel 316 - PE-HD -500
Weight [kg]	5



INTERACTION COMMUNICATION



Total control system of illumination by PC or through a programmable and autonomous module.

It is composed by the OnDMX module (USB-DMX interface) and an intuitive software, it grants to the user a total control of a projector or group of projectors.

It allows the colour choice among more than 16 million colours.

The system turns into the ideal solution for the practically indefinite creation of scenes of duration with spectacular results.

System that allows elaborating scenes of illumination of fountains and great water spaces, distinguishing focuses individually or for groups. It includes an easy programmable software.

OnDMX version:

- It can work with the PC or autonomously
- 3 buttons to choose the scenes, in autonomous mode
- 512 DMX output channels
- Memory to store more than 7000 steps
- Plug&Play
- USB 1.0 and 2.0 compatible

The OnDMX PRO version synchronizes three elements, water, light and music. Furthermore it consists of 1024 DMX output channels.

Create scenes

The Software allows creating scenes in a simple way. For every scene, steps and repetitions can be programmed.

“Direct” or “Autonomous” mode

The illumination can be controlled from the computer or recording the scenes in the autonomous module and being executed from it.



CODE: 66596

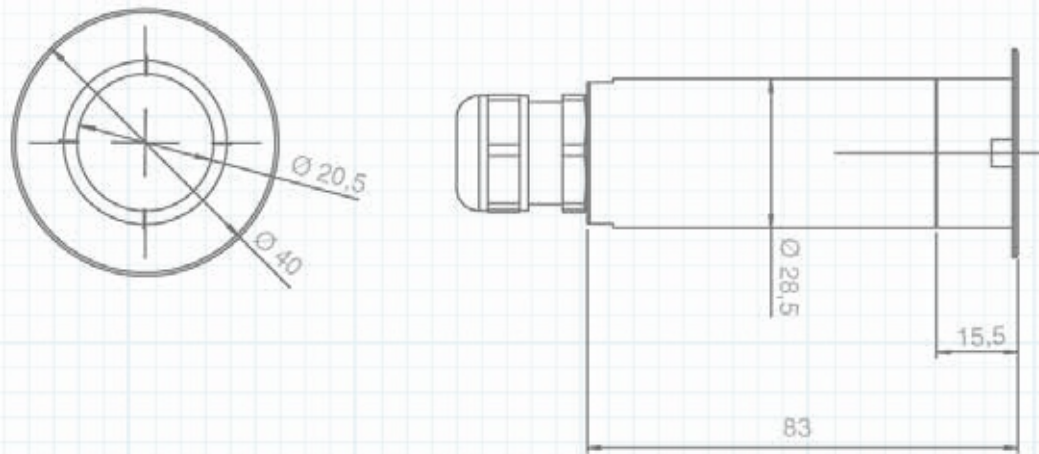
OnDMX
(Controller + Software + Manual + Power supply
with USB connector)

CODE: 66597

OnDMX PRO
(Controller + Software + Manual)

We reserve the right to change of part of the features of the articles or contents of this document, without prior notice.

ILLUMINATION NANO LEDs



The wall fitting despite its small dimensions offers a considerable light output. Ideal for jets lighting up to 2 meters in ornamental fountains or underwater applications, indoor and outdoor installations where small dimensions are required.

CODE: 66580 RGB – DMX

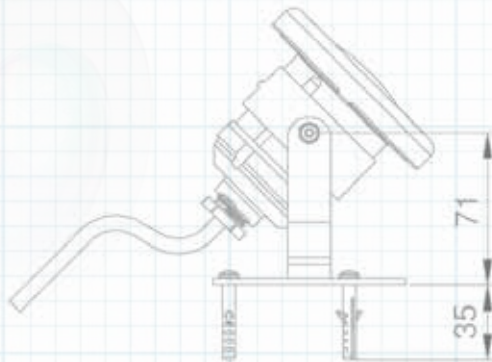
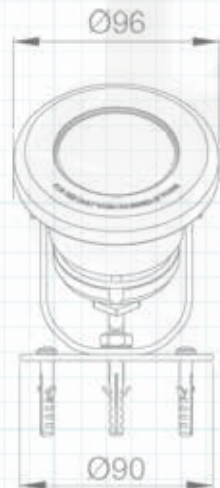
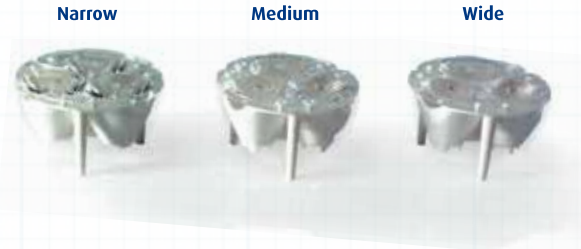
Lumens	White	250 lm
	RGB	150 lm
Power	RGB DMX	150 lm
	White	4.5W
Efficiency	RGB	4.5W
	RGB DMX	2.5W
Nominal Voltage	White	55.5 lm/W
	RGB	60 lm/W
	RGB DMX	60 lm/W
	White	12 V AC
	RGB	12 V AC
	RGB DMX	24 DC

CODE: 66581 WHITE

Life Span	L70 - 50.000h
Colour	12
Connection cable	2 x 1,5 mm2



ILLUMINATION MINI LEDs



The MINI projector is the best option to illuminate ornamental fountains, small swimming pools and spas. Only 3 Led's are used, but due to its high level of lighting, it reaches similar levels to traditional lamps.

Any of the MINI models (RGB-DMX or Monocolor) can be connected directly using a 2-wires cable to a DMX Driver or a 12V AC output of a safety transformer.

For the electrical connection of the RGB-DMX models, it is necessary to use a DMX Power supply, code MF0047 or MF0048.

CODE: 66582 RGB – DMX

Lumens	White
	RGB
Power	White
	RGB
Efficiency	White
	RGB

Nominal Voltage

Life Span

Colour

Connection cable

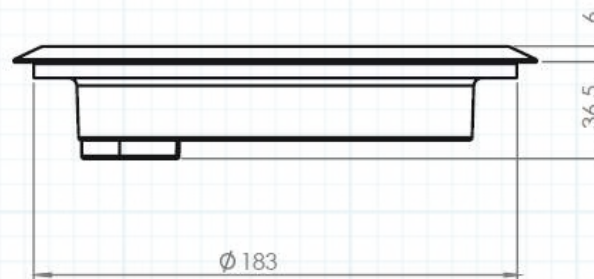
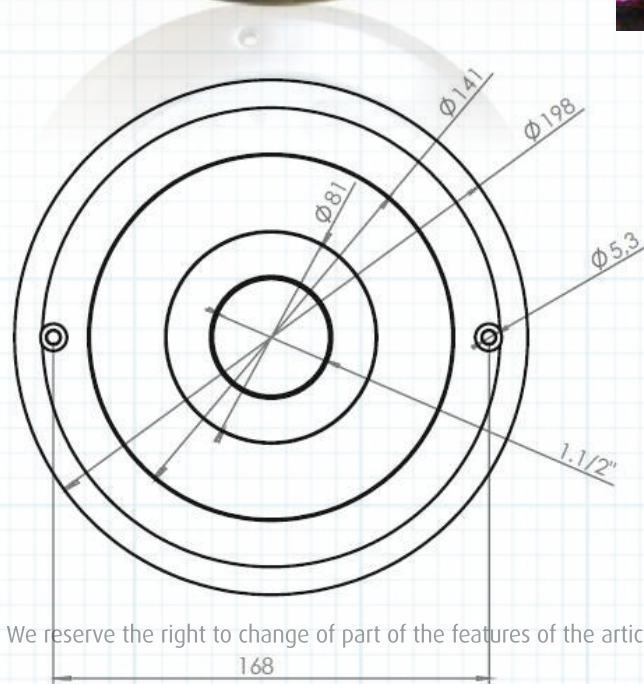
CODE: 66583 RGB – DMX

315 lm
186 lm
9 W
6 W
35 lm/W
31 lm/W
12 VAC / 24 VDC
L70 - 50.000h
12
2 x 1,5 mm ²

ILLUMINATION CIRCULAR LEDS

LED projector donut type, high resistance, and made of stainless steel. Ideal RGB light for ornamental fountains and jets, in which the projector surrounds the nozzle.

High-power projector for full lighting supply of the jet. It comes with an internal thread of 1 1/2" and wire connections.



CODE: 66590

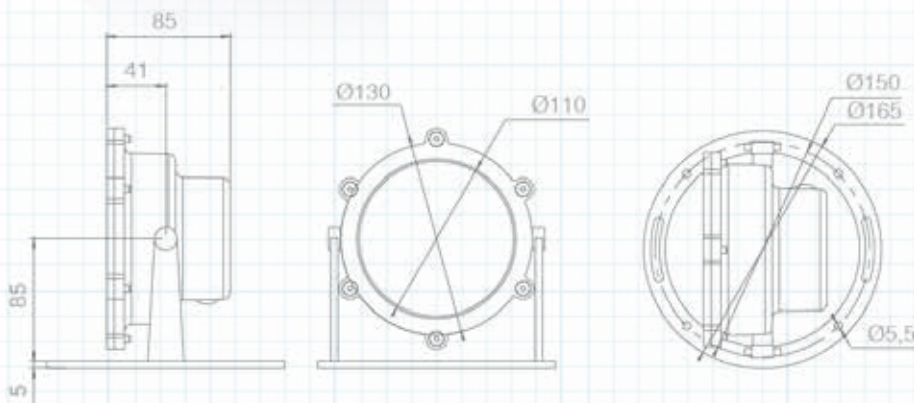
Lumens	902 lm
Power	30 W
Efficiency	27 lm/w
Optical	
<i>Narrow</i>	18°
<i>Medium</i>	24°
<i>Wide</i>	32°
Nominal Voltage	24 VDC
Life Span	L70 - 50.000h
Colour	RGBW-DMX
Connection cable	2 x 1mm2

We reserve the right to change of part of the features of the articles or contents of this document, without prior notice.

ILLUMINATION HALOSPOT LEDs

High-resistance projector, made in stainless steel. It is ideal for ornamental fountains and water jets.

It should be installed completely submerged in water. It is provided with stainless steel support, screws and fixing elements

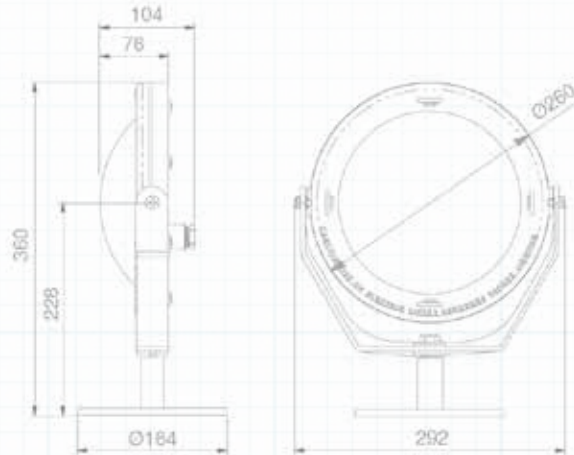


	CODE: 66584 RGB – DMX	CODE: 66585 WHITE
Lumens	White RGB	1.100 lm 1.100 lm
Power	White RGB RGB DMX	16W (23VA) 22W (31VA) 21W (21VA)
Efficiency	White RGB RGB DMX	68,7 lm/W 50 lm/W 52,3 lm/W
Nominal Voltage	White RGB RGB DMX	12 VAC 12 VAC 24 VDC
Life Span		L70 - 50.000h
Colour		12
Connection cable		2 x 1,5 mm2

We reserve the right to change of part of the features of the articles or contents of this document, without prior notice.

ILLUMINATION

PAR V1 V2 LED



High performance underwater lamp. Thanks to its optic, the projection of light is maximised, making the most of its intensity and reducing light loss and light pollution to a minimum.

The PAR56 has a life span 100 times greater and an energy consumption 4 times lower than the traditional 300W incandescent lamp.

CODE: 66586 RGB

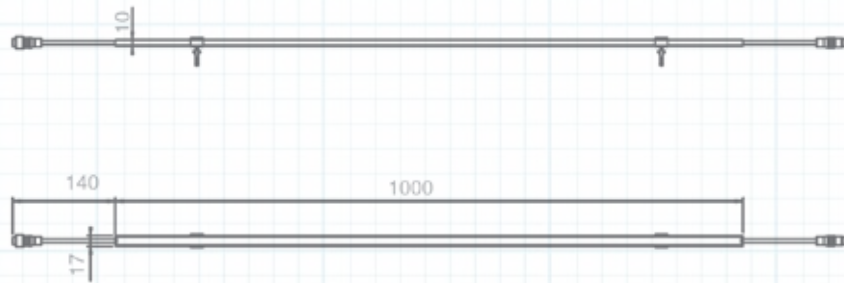
Lumens	White	4.3220 lm
	RGB	2.544 lm
Power	White	58 W (60VA)
	RGB	48 W (64VA)
Efficiency	White	74,48 lm/W
	RGB	53lm/W
Nominal Voltage		12 VAC
Life Span		L70 - 50.000h
Colour		12

CODE: 66587 WHITE

Lumens	White	4.3220 lm
	RGB	2.544 lm
Power	White	58 W (60VA)
	RGB	48 W (64VA)
Efficiency	White	74,48 lm/W
	RGB	53lm/W
Nominal Voltage		12 VAC
Life Span		L70 - 50.000h
Colour		12



ILLUMINATION LED STRIP



The linear projector with LED technology made with stainless steel profile AISI 316.

Polyvalent product which allows multiples and different combinations, installations and uses. Highly versatile with a protection index IP68 results the ideal element for the decorative lighting for indoor , outdoor and aquatic atmosphere.

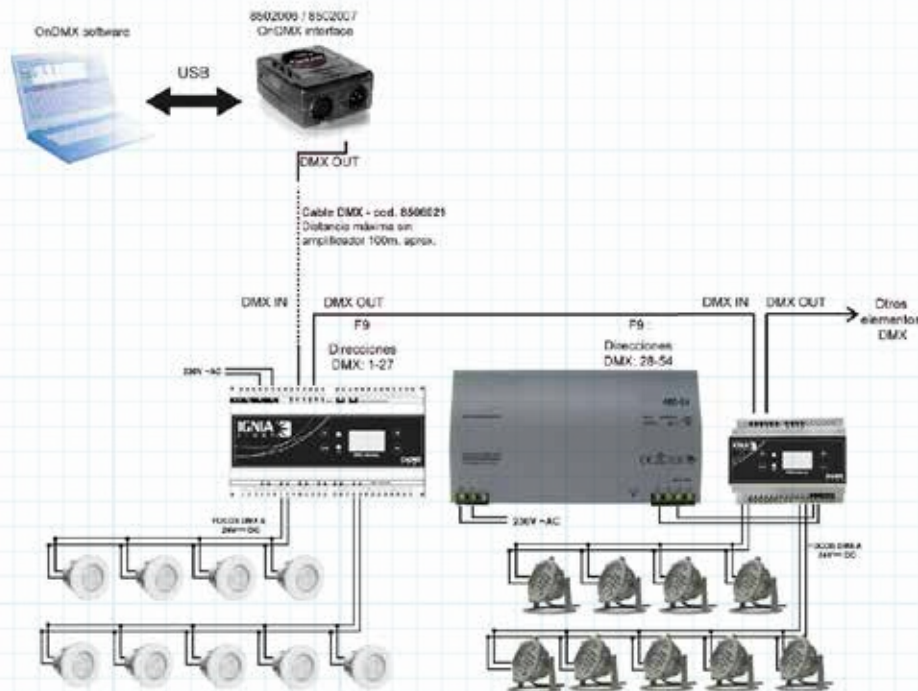
Includes attachment clips.

	CODE: 66592 RGB	CODE: 66593 WHITE
Lumens	White - 400 lm	RGB - 246 lm
Consumption	16 W	
Efficiency	White - 25 lm/W	RGB - 15 lm/W
Voltage	24 V DC	
Life Span	L70 - 50.000h	
Colour	12	
Connection cable	White - 2 x 1 mm ²	RGB - 4 x 0.75 mm ²
Body Material	Aisi 316 (*)Anode com- mond connection	

We reserve the right to change of part of the features of the articles or contents of this document, without prior notice.

ILLUMINATION

DMX DRIVER / DMX DRIVER EPS



Designed to be the funniest area for the whole family, "Funsquare" represents an amount of high speed and interactive vertical jets. It performs a sequence of ornamental effects, choreographies and games thought to be crazily played. The areas where the Funsquare is located strengthen its activity.

CODE: 66594 DMX DRIVER

MF0047 DMX DRIVER

Power supply voltage [V]

230 VAC

Maximum power [VA]

60

DMX channels

27

Indicator led

1 Power On, 1 bus DMX

CODE: 66595 DMX DRIVER EPS

MF0047 DMX DRIVER

Power supply voltage [V]

230 VAC

Maximum power [VA]

60

DMX channels

27

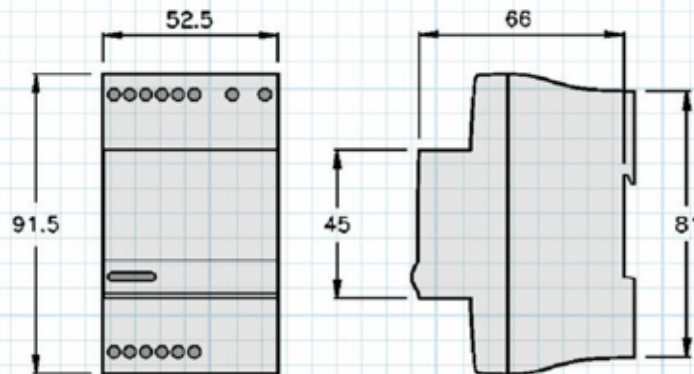
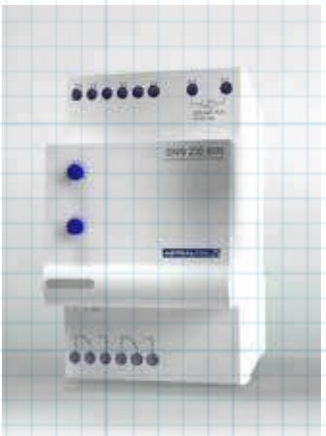
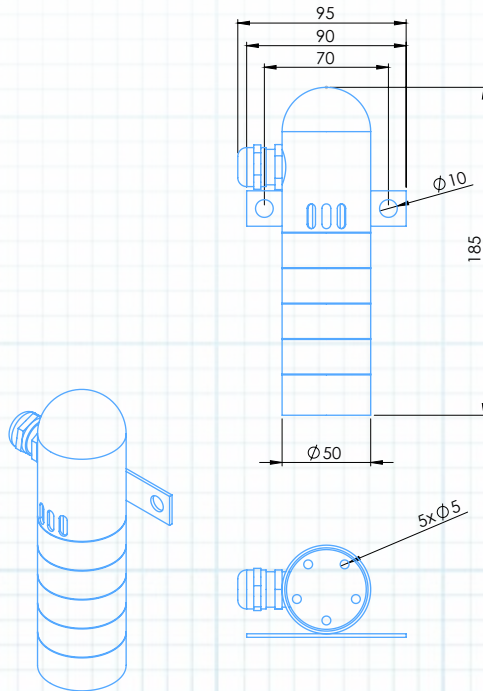
Indicator led

1 Power On, 1 bus DMX



COMPLEMENTARY PRODUCTS

LEVEL CONTROL



The Level Control System provides a complete solution to control level management to any fountain. This system allows the automatic fountain filling and a security system for pumps in case of very low water level of the fountain.

The Level Control Sensor is a very robust and resistant to oxidation model manufactured entirely in AISI 316 stainless steel.

CODE: 66636 LEVEL CONTROL SENSOR

Dimensions (L x W x H) [mm]	95 x 52 x 185
Level range [mm]	100
Difference between levels [mm]	20
Number of electrodes	5
Cable included	5 x 1 10 m
Material	Stainless steel 316
Weight [kg]	1,5
Protection class	IP 68

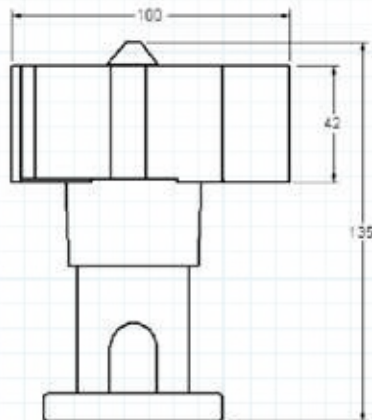
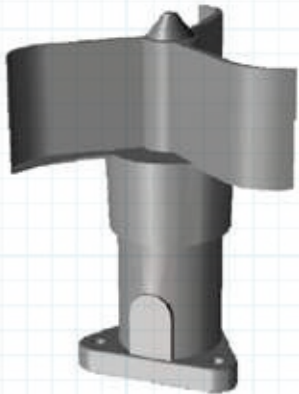
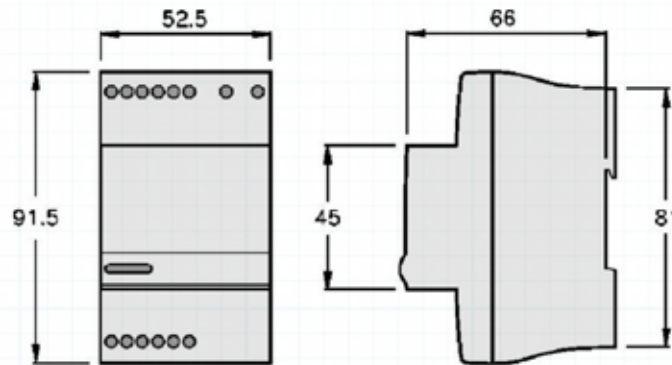
CODE: 66637 LEVEL CONTROL UNIT

Dimensions (L x W x H) [mm]	53 x 66 x 92
Voltage [V]	230 VAC
Electrode inputs	5
Outputs	2 relay outputs up to 8A
Indicator led	1 power, 2 outputs
Material	Plastic housing
Mounting	DIN rail
Protection class	IP20

We reserve the right to change of part of the features of the articles or contents of this document, without prior notice.

COMPLEMENTARY PRODUCTS

WIND CONTROL SYSTEM



This wind control system is the best way to avoid water loss of jets, and avoid wet the fountain environment or fountain spectators by wind action.

It allows to set up three states depending on wind speed: normal operation, reduced of fountain jet height and stop ornamental effects in case of very strong wind.

CODE: 66577 WIND CONTROL SENSOR

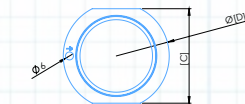
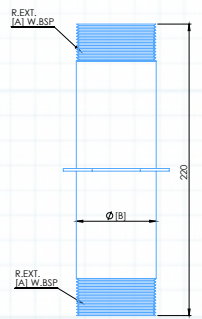
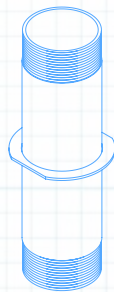
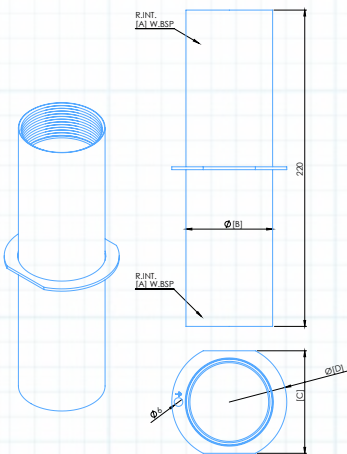
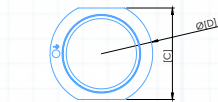
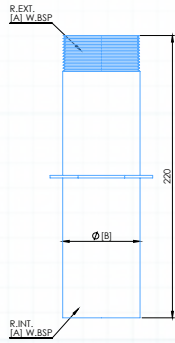
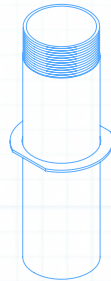
Dimensions (L x W x H) [mm]	100 x 100 x 135
Mesure Range [m/s]	2 - 55
Voltage [V]	5 - 15 VDC
Output [Hz]	0 - 210
Cable included	3 x 0,5 20 m
Material	ABS
Weight [kg]	1,2
Protection class	IP 65

CODE: 66578 WIND CONTROL UNIT

Dimensions (L x W x H) [mm]	53 x 66 x 92
Mesure Range [m/s]	Adjustable
Voltage [V]	230 VAC
Inputs	PNP/NPN or potential free contact
Outputs	3 relay outpus up to 6A
Display	LCD
Indicator led	1 power, 3 outputs
Material	Plastic housing
Mounting	DIN rail
Protection class	IP20

COMPLEMENTARY PRODUCTS

PIPE FITTING



The "Pipe Fittings" are the best way to make connections between pipes through the wall or the floor of the fountain.

Availability of standard interconnection from 1" to 4" and perfectly match each other.

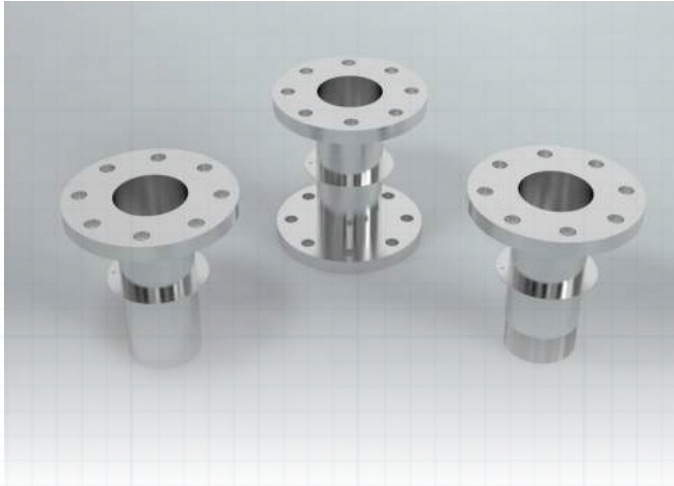
All models are extremely robust and resistant to oxidation because they are manufactured entirely in AISI 316 stainless steel.

		L [mm]	A	B [mm]	C [mm]	D [mm]
66615	PIPE FITTING M-M 1"	220	1"	33,7	45	70
66616	PIPE FITTING M-M 1-1/2"	220	1 1/2"	48,3	60	75
66617	PIPE FITTING M-M 2"	220	2"	60,3	72	80
66618	PIPE FITTING M-M 3"	220	3"	88,9	100	120
66619	PIPE FITTING M-M 4"	220	4"	114,3	126	145
66620	PIPE FITTING F-F 1"	220	1"	33,7	45	70
66621	PIPE FITTING F-F 1-1/2"	220	1 1/2"	48,3	60	75
66622	PIPE FITTING F-F 2"	220	2"	60,3	72	80
66623	PIPE FITTING F-F 3"	220	3"	88,9	100	120
66624	PIPE FITTING F-F 4"	220	4"	114,3	126	145
66625	PIPE FITTING M-F 1"	220	1"	33,7	45	70
66626	PIPE FITTING M-F 1-1/2"	220	1 1/2"	48,3	60	75
66627	PIPE FITTING M-F 2"	220	2"	60,3	72	80
66628	PIPE FITTING M-F 3"	220	3"	88,9	100	120
66629	PIPE FITTING M-F 4"	220	4"	114,3	126	145

We reserve the right to change of part of the features of the articles or contents of this document, without prior notice.

COMPLEMENTARY PRODUCTS

PIPE FITTING

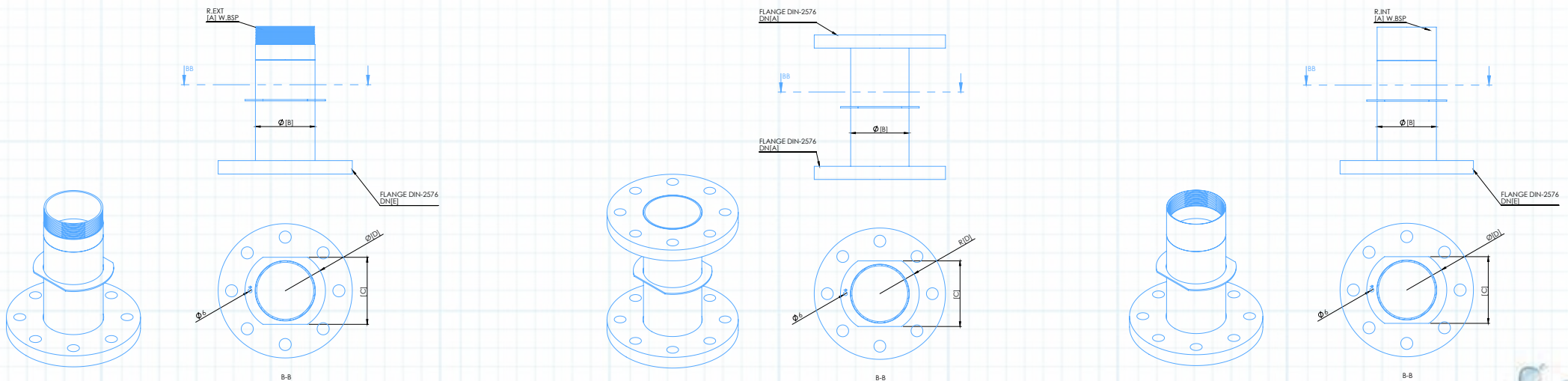


The “Pipe Fittings” are the best way to make connections between pipes through the wall or the floor of the fountain.

Availability of standard interconnection from 1” to 4” and perfectly match each other.

All models are extremely robust and resistant to oxidation because they are manufactured entirely in AISI 316 stainless steel.

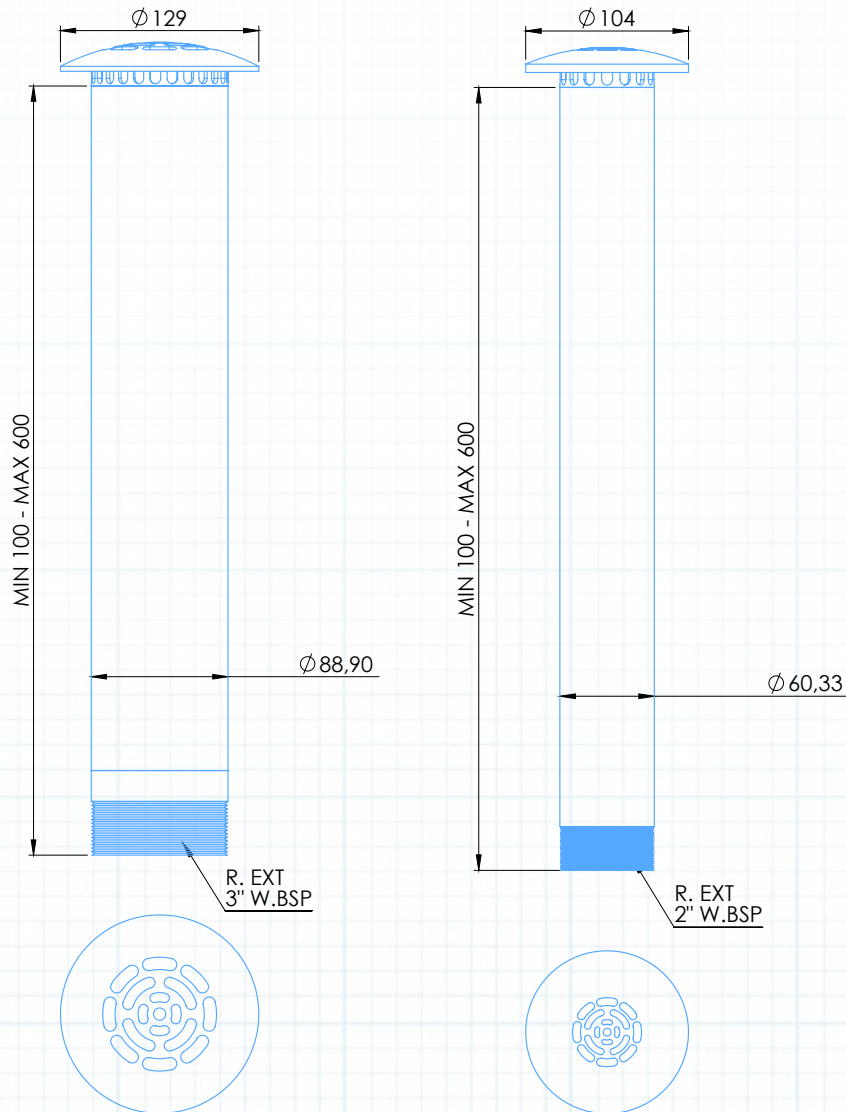
		L [mm]	A	B [mm]	C	D	E
66630	PIPE FITTING FL-FL 3”	220	200	88,9	80	120	-
66631	PIPE FITTING FL-FL 4”	220	220	114,3	90	145	-
66632	PIPE FITTING FL-M 3”	220	3”	88,9	200	120	80
66633	PIPE FITTING FL-M 4”	220	4”	114,3	220	145	100
66634	PIPE FITTING FL-F 3”	220	3”	88,9	200	120	80
66635	PIPE FITTING FL-F 4”	220	4”	114,3	220	145	100



We reserve the right to change of part of the features of the articles or contents of this document, without prior notice.

COMPLEMENTARY PRODUCTS

OVERFLOW



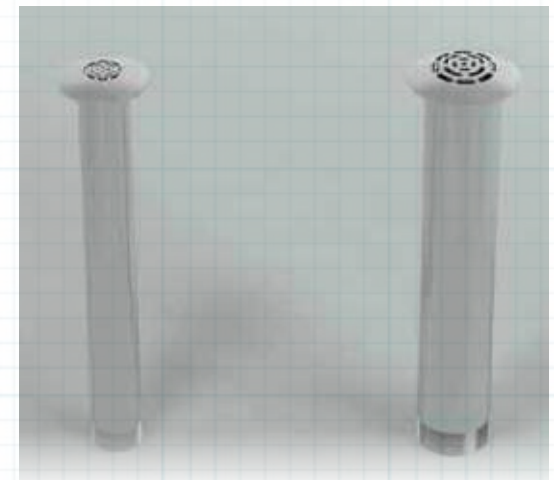
This overflow is suitable for any type of fountain. It is ideal to keep the water level always stable and avoiding flooding.

It also has an adaptive control that allows you to establish the height of the overflow according to the specifications of each fountain.

It is available in two different models, depending on the surface of the fountain.

Both models are manufactured in AISI 316 stainless steel to ensure high protection against rust and weather.

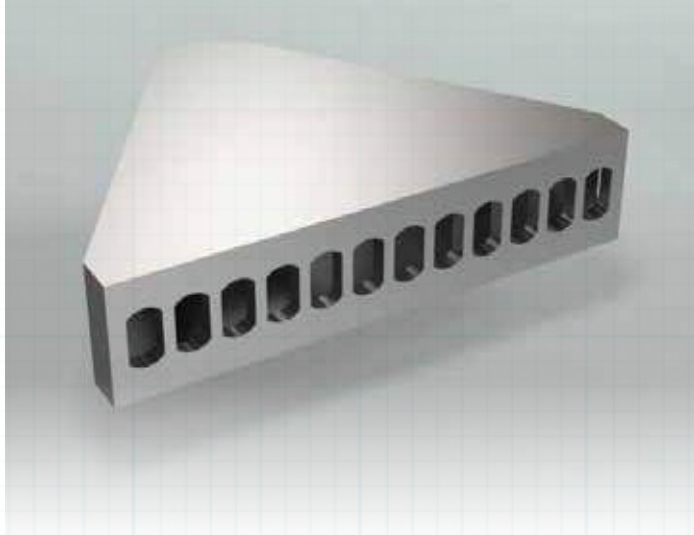
	CODE: 66610	CODE: 66611
Dimensions (L x W x H) [mm]	100 x 100 x (400-750)	125 x 125 x (400-750)
Connection	2" G	3" G
Material	Stainless Steel 316	Stainless Steel 316



We reserve the right to change of part of the features of the articles or contents of this document, without prior notice.

COMPLEMENTARY PRODUCTS

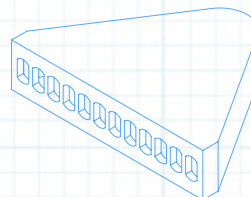
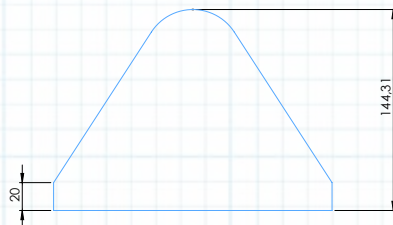
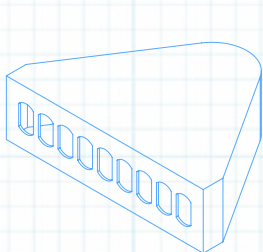
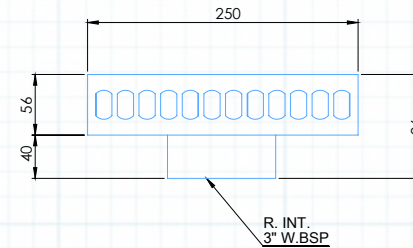
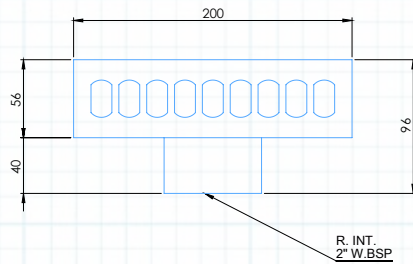
OVERFLOW



This overflow is suitable for any type of fountain. It is ideal to keep the water level always stable and avoiding flooding.

It is available in two different models, depending on the surface of the fountain. Both models are manufactured in AISI 316 stainless steel to ensure high protection against rust and weather.

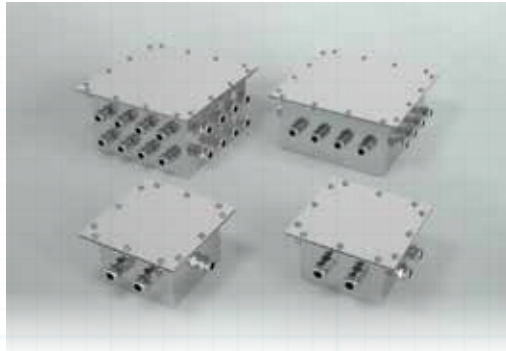
	CODE: 66612	CODE: 66613
Dimensions (L x W x H) [mm]	200 x 145 x 96	250 x 183 x 96
Connection	2" G	3" G
Material	Stainless Steel 316	Stainless Steel 316



We reserve the right to change of part of the features of the articles or contents of this document, without prior notice.

COMPLEMENTARY PRODUCTS

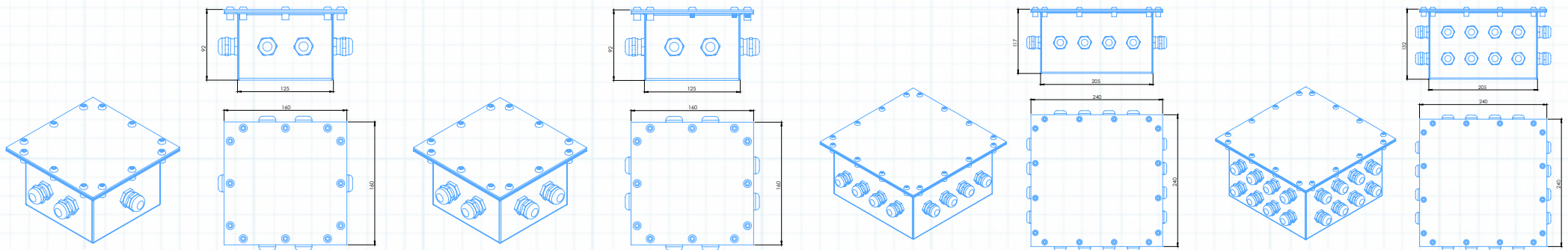
JUNCTION BOXES



The Junction Boxes are the best way to ensure watertight connections between cable inside the pool of the fountain. With its original design allow the connection of different devices with the same Junction Box.

It is a very robust and resistant to oxidation model manufactured entirely in AISI 316 stainless steel.

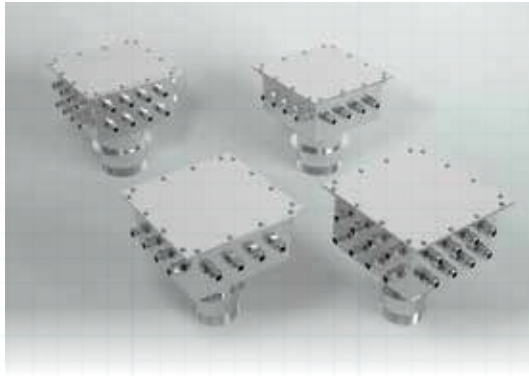
	CODE: 66602	CODE: 66603	CODE: 66604	CODE: 66605
Dimensions (L x W x H) [mm]	160 x 160 x 92	160 x 160 x 92	240 x 240 x 117	240 x 240 x 132
Number of inlets	6	6	16	32
Cable diameter	5 - 14	5 - 14	5 - 14	5 - 14
Material	Stainless Steel 316	Stainless Steel 316	Stainless Steel 316	Stainless Steel 316
Protection class	IP 68	IP 68	IP 68	IP 68



We reserve the right to change of part of the features of the articles or contents of this document, without prior notice.

COMPLEMENTARY PRODUCTS

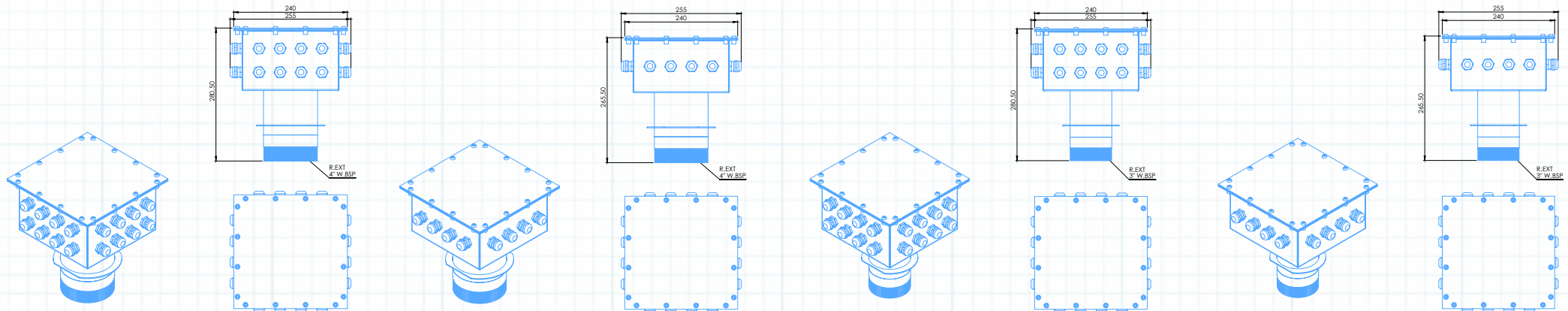
CABLE INLET FITTING BOX



The Cable inlets Fittings are the best way to ensure watertight connections with cable through the walls of the fountain and at the same time interconnect different devices.

It is a very robust and resistant to oxidation model manufactured entirely in AISI 316 stainless steel.

	CODE: 66606	CODE: 66607	CODE: 66608	CODE: 66609
Dimensions (L x W x H) [mm]	254 x 254 x 263	254 x 254 x 278	254 x 254 x 263	254 x 254 x 278
Connection	3" G	3" G	4" G	4" G
Number of inlets	16	24	16	24
Cable diameter	5 - 14	5 - 14	5 - 14	5 - 14
Material	Stainless Steel 316	Stainless Steel 316	Stainless Steel 316	Stainless Steel 316
Assembled protection class	IP 68	IP 68	IP 68	IP 68



COMPLEMENTARY PRODUCTS

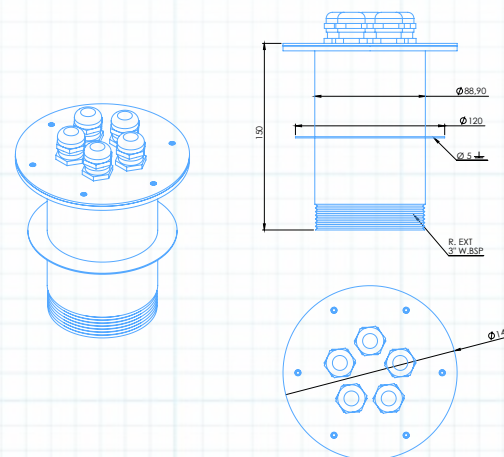
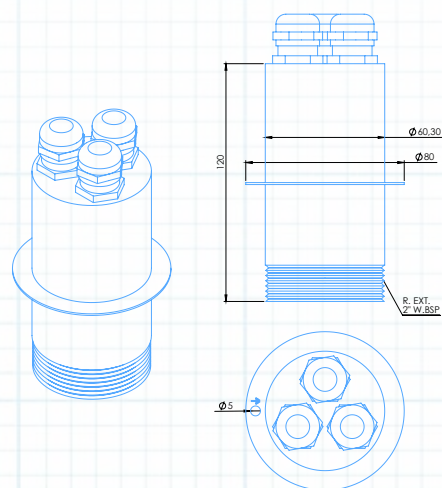
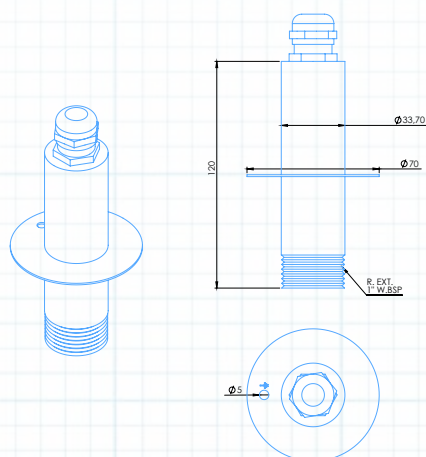
CABLE INLET FITTING



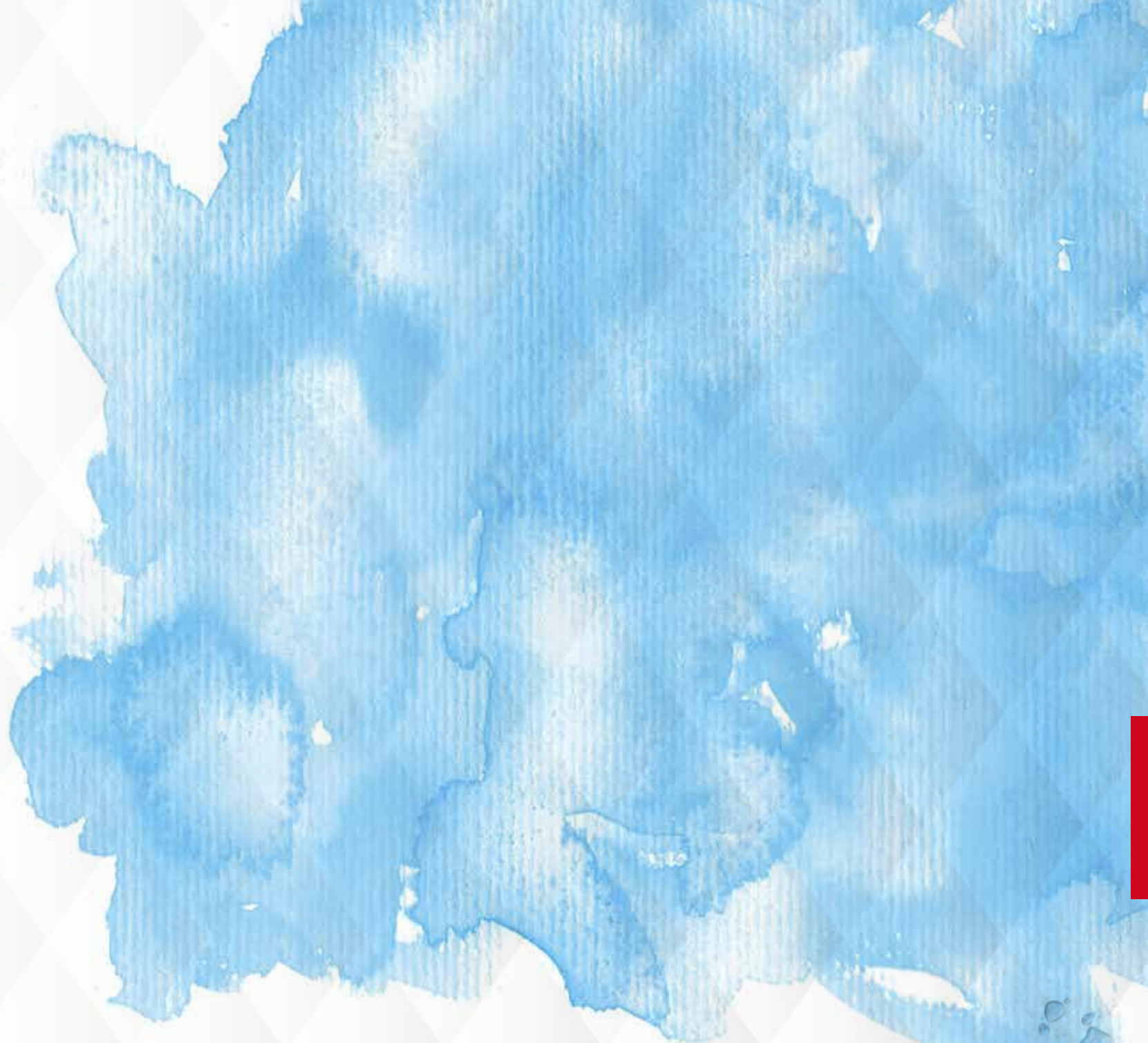
The Cable inlets Fittings are the best way to ensure watertight connections with cable through the walls of the fountain. With its original design allow the connection of different devices with the same Cable Inlet Fitting.

It is a very robust and resistant to oxidation model manufactured entirely in AISI 316 stainless steel.

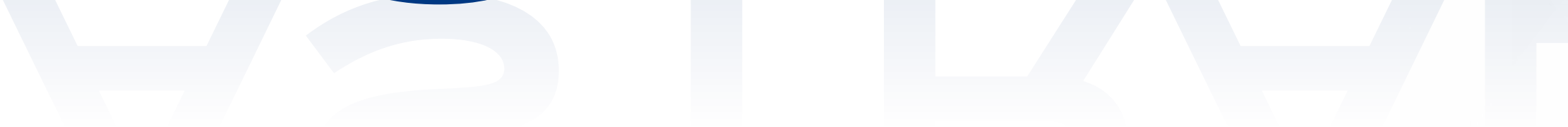
	CODE: 66598	CODE: 66599	CODE: 66600	CODE: 66601
Dimensions (L x W x H) [mm]	70 x 70 x 120	80 x 80 x 120	140 x 140 x 150	170 x 170 x 150
Connection	1" G	2" G	3" G	4" G
Number of inlets	1	3	5	8
Cable diameter	5 - 14	5 - 14	5 - 14	5 - 14
Material	Stainless Steel 316	Stainless Steel 316	Stainless Steel 316	Stainless Steel 316
Protection class	IP 68	IP 68	IP 68	IP 68



We reserve the right to change of part of the features of the articles or contents of this document, without prior notice.



ASTRAL



POOL



ASTRALPOOL 

Passeig de Sanllehy, 25
08213 Polinyà, Barcelona, Spain
Tel: +34 937 13 18 55
e-mail: fcamps@fluidrainindustry.com