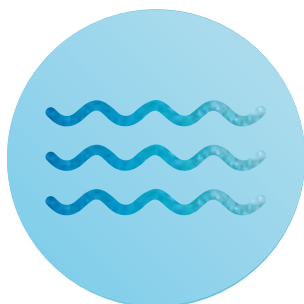


NAUTILUS SILENT



LONG SERVICE LIFE AND HIGH RESISTANCE

Nautilus Silent is the widest range of AstralPool high chemical resistance pumps that comes to serve any residential pool. It combines high performance and easy maintenance, all in one single speed pump. Its high-quality materials and careful production ensures a long-lasting pump.



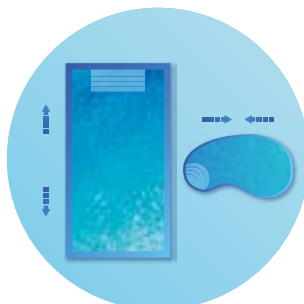
LONG SERVICE LIFE

With its state-of-the-art thermoplastic materials, motor with an IP-X5 protection rating and **high chemical resistance components**, the Nautilus Silent was conceived to last in the most demanding conditions. It can withstand hot environments and high levels of humidity. Suitable for **sea water**, waters with high levels of suspended solids and ozone treatments. Engineered and tested for harsh conditions, it has up to a 3-year warranty.



SUPERIOR PERFORMANCE

Thanks to its hydraulic and motors designs, the Nautilus Silent is a high-performing and efficient single speed pump with excellent flow and pressure output.



SUITABLE FOR ALL POOLS

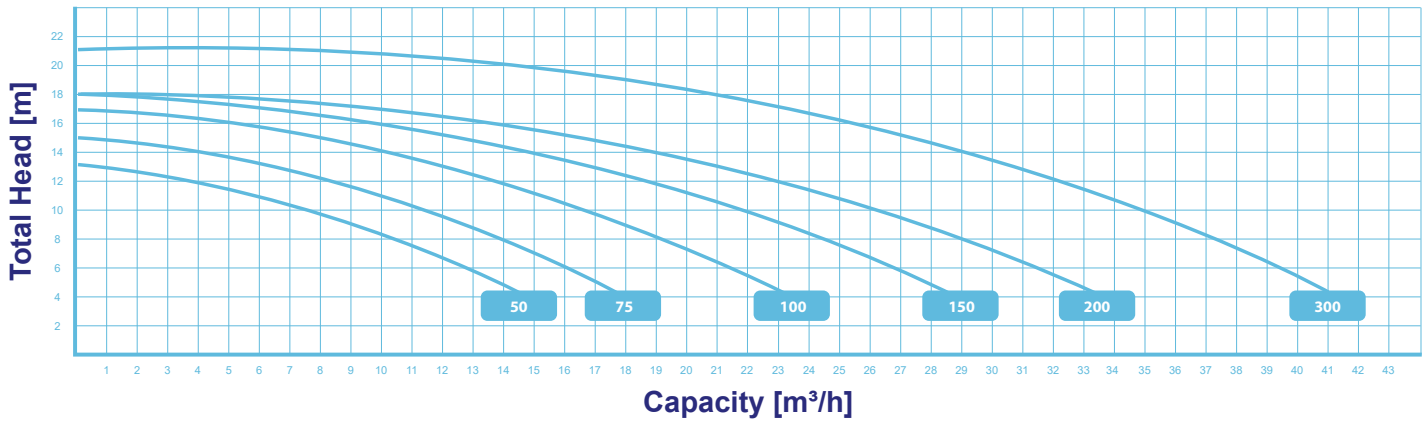
Available in a wide range of powers for single-phase and three-phase motors, Nautilus Silent adapts to any pool size. It is fully backward compatible in pools equipped with Victoria Plus and Victoria Plus Silent pumps.

TECHNICAL FEATURES

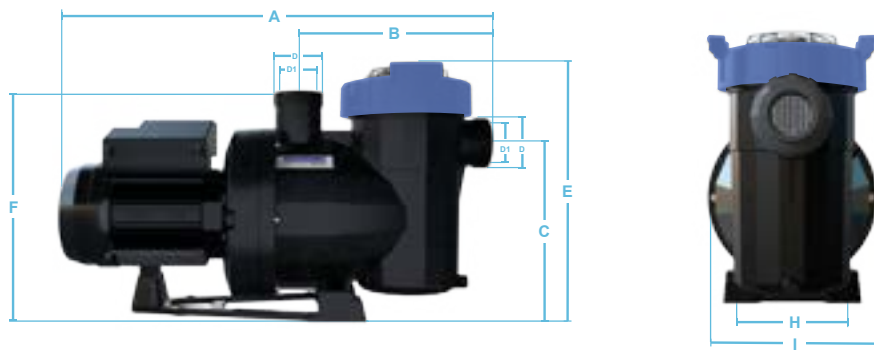


CODE	MODEL	Voltage	Capacity	Head	Max. Head	Max. Capacity at Head=4m	Motor Rated Output	Max. Absorbed Power	Pipe Size	Packaging Weight	Packaging Volume
		U _N (V)	Q _N (m ³ /h)	H _N (m)	H _{MAX} (m)	Q _{MAX} (m ³ /h)	P _{2N} (kW)	P _{1MAX} (kW)	D (mm)	Kg	m ³
72549	50M	230	7,5	10	13	14,5	0,38	0,58	Ø50	12	0,07
72550	50T	230/400	7,5	10	13	14,5	0,38	0,55	Ø50	12	0,07
72551	75M	230	11	10	15	18	0,56	0,72	Ø50	13	0,07
72552	75T	230/400	11	10	15	18	0,56	0,72	Ø50	13	0,07
72553	100M	230	16	10	17	23,5	0,75	0,98	Ø50	14	0,07
72554	100T	230/400	16	10	17	23,5	0,75	1,02	Ø50	14	0,07
72555	150M	230	21,5	10	18	29	1,12	1,40	Ø63	17	0,07
72556	150T	230/400	21,5	10	18	29	1,12	1,40	Ø63	17	0,07
72557	200M	230	26	10	18	33,5	1,49	1,80	Ø63	18	0,07
72558	200T	230/400	26	10	18	33,5	1,49	1,80	Ø63	19	0,07
72559	300M	230	35	10	21	41	2,24	2,59	Ø75	23	0,07
72560	300T	230/400	35	10	21	41	2,24	2,40	Ø75	23	0,07

PERFORMANCE



DIMENSIONS



CODE	DIMENSIONS (mm)								
	A	B	C	D	D1	E	F	H	I
72549	581	281	246	External Thread Victoria Plus & Victoria Plus Silent	2" GAS	359	322	164	254
72550	581	281	246		2" GAS	359	322	164	254
72551	581	281	246		2" GAS	359	322	164	254
72552	581	281	246		2" GAS	359	322	164	254
72553	581	281	246		2" GAS	359	322	164	254
72554	581	281	246		2" GAS	359	322	164	254
72555	615	281	246		2" GAS	359	356	164	254
72556	615	281	246		2" GAS	359	356	164	254
72557	615	281	246		2" GAS	359	356	164	254
72558	615	281	246		2" GAS	359	356	164	254
72559	646	281	246		2" GAS	359	387	164	254
72560	646	281	246		2" GAS	359	356	164	254