

DISTRIBUTION VALVE NET 'N' CLEAN Ø63

VANNE DISTRIBUTRICE NET 'N' CLEAN Ø63

VÁLVULA DISTRIBUIDORA NET 'N' CLEAN Ø63

VALVOLA DI DISTRIBUZIONE NET 'N' CLEAN Ø63

VERTEILERVERTIL NET 'N' CLEAN Ø63

VÁLVULA DISTRIBUIDORA NET 'N' CLEAN Ø63

35079 - 33354 - 60319



INSTALLATION AND MAINTENANCE MANUAL
MANUEL D'INSTALLATION ET D'ENTRETIEN
MANUAL DE INSTALACIÓN Y MANTENIMIENTO
MANUALE DI INSTALAZIONE E MANUTENZIONE
EINBAU-UND BETRIEBSANLEITUNG
MANUAL DE INSTRUÇÕES E MANUTENÇÃO

ASTRALPOOL 

IMPORTANT: The instruction manual you are holding includes essential information on the safety measures to be implemented for installation and start-up. Therefore, the installer as well as the user must read the instructions before beginning installation and start-up.
Keep this manual for future reference.

To achieve optimum performance of the DISTRIBUTION VALVE NET 'N' CLEAN Ø 63, follow the instructions indicated below:

1.SAFETY WARNINGS

1. It is recommendable to start up the NET 'N' CLEAN system when there are no bathers in the swimming pool.
2. Do not use grease or universal silicon sealants in the products or accessories.
3. Never run the unit without water.
4. Whenever the valve has to be handled, unplug the pump.
5. Do not allow children or adults to sit on the unit.
6. Do not directly connect the valve to the mains water supply, as its pressure may be very high and exceed its top working pressure.
7. Do not use the filtration circuit to fill or adjust the pool's water level. Mishandling can cause a pressure surge in the valve.
8. As all joints are made using seals, except for the screws on the set of straps, do not overtighten the nuts to prevent the plastic components from breaking.
9. Do not use Teflon in the gage kit to ensure watertightness.

This device is not intended for use by children, people with physical, sensory or mental disabilities, nor by people without the experience or know-how required to use it, unless they are under the supervision of a person responsible for their safety or who has given them the relevant instructions to use it.



To avoid the risk of injury, prevent children from using or getting near to this product.



Spa and pool water circulation systems work under pressure on start-up, while they are running and for a short time after the pump has been switched off.

This pressure in the system can cause the components of the valve's upper housing to suddenly break off should the safety and use instructions be ignored. This damage or breaking off of components can lead to material and personal



bodily damage that can cause serious injury and even death.

Installation, maintenance and repair work on this product must only be carried out by a qualified person.

TO PREVENT COMPONENTS FROM BREAKING OFF:

- Do not use the NET 'N' CLEAN system if a component is missing and/or is not properly assembled and/or if any of the parts are not original ASTRALPOOL components.
- ONLY use ASTRALPOOL's mounting system components. The components of other brands could break down during use, cause damage and pose a risk to the physical well-being of people.
- Before performing any maintenance work on the NET 'N' CLEAN system, ensure that all of the system and pump's controls are in OFF mode and that the air release valve's cap on the gage is open.
- SET OF STRAPS (mounting system) - Screw in the fastening screws on the set of straps by hand as tightly as possible. There should be a gap of 1 cm between each strap.
- Before running the system's pump, ensure that:
 - All of the system's valves are in a position that allow the filter's water to return to the system.
 - The air release valve's cap on the gage is fully open.
- When the pump is being switched on, do not stand close to the valve.
- If there is a water leak around the valve's fastenings, immediately switch off all circulation pumps and the system's power supply. Do not go near the valve until the flow of water has completely stopped. Reassemble the mounting system as instructed in the user instruction manual to stop the leak.
- Shut off the air release valve's cap on the gage again when you have ensured that only a constant stream of water flows out (but not air or a mixture of air and water).
- Do not handle or change the position of the filter control valve when the system's pump is running.



Pressure above the top working pressure (as established in this manual) in the NET 'N' CLEAN system could cause components to suddenly break off, which could cause material damage, serious injury and even death.

2. CHECK THE CONTENTS OF THE BOX

Inside the box you will find:

- Distributor valve
- Pressure gauge T with joint
- 3 bar-psi pressure gauge
- Roll of Teflon tape
- Installation and maintenance manual

3. GENERAL SPECIFICATIONS

The NET 'N' CLEAN DISTRIBUTOR VALVE forms part of the system of the same name, to fully clean the bottom of swimming pools. The purpose of the valve is to sequentially distribute the flow of water through its different outlets, so that it reaches the nozzles located on the bottom of the pool. These nozzles project jet water to clean the pool.

Distribution is through a turbine and a series of gears anchored to the base plate used to sequentially open and close anticlockwise the caps.

Its main advantages include a more even distribution of temperature and chemical products in the pool. and the elimination of bulky equipment to clean the pool.

Although this system automates cleaning of the pool to a large extent, it does not fully eliminate manual operations such as brushing the pool.

The valve has 7 connections on the base. The central connection is the input and the other 6 are outlet connections. They come in Ø63 - Ø75 for models on sale in Europe and Ø2" - Ø2" ½ for models on sale in the USA and Australia.

Main advantages:

- All connections are in the base.
- Electrical devices are not required for operation.
- The cover is easy to assemble and dismantle by means of the ring.
- All metal parts are resistant to treatments applied to swimming pool water.

4. INSTALLATION AND POSITIONING

For optimum performance of the NET 'N' CLEAN cleaning system, an independent pump with prefilter is recommended. (Fig.1)

The timer of the Net'N'Clean system's pump should be set to work during filtration times. The number of hours the Net'N'Clean system needs to work can vary a great deal. It is recommended to start running it for 4 hours every day and adjust the time from thereon in until the best results for cleaning the pool are obtained.

It is recommended that the distribution valve be placed as close as possible to the pool to reduce the length of piping used. As with all other pool equipment, maintenance may be required from time to time. It is therefore strongly recommended that isolation valves be fitted to all of the filter head's inlet and outlet pipes.

If suction is to be performed directly in the pool shell, a single suction socket should not be installed as this is dangerous. At least 2 suction sockets should be fitted to a vertical wall at least 2m apart and 20 cm from the pool bottom.

The nozzles should be placed on the pool bottom and on the steps if their swivel range is to be 1.8 m. They should be placed at a distance of 0.8 m apart on the walls.

The branches should be evenly distributed. If more nozzles have to be fitted to one of them (on the steps, for example), they must be placed using one of the nozzle configurations (S1, S2, S3, S4).

It is recommended to use nozzle configuration S1 on the top step to avoid splashing (Fig. 3).

If not all the outlets of the valve are necessary, never cover any of the outlets as the valve will stop working, in these cases, join 2 or more outlets to feed one branch.

If the installation requires more than 6 outlets installing 2 parallel circuits with 2 pumps (Fig. 2).

Choosing the pump

For optimum operation of the system, it is important to correctly configure the nozzles and install the correct pump.

To choose a pump, you need to know the flow required for each nozzle and pressure drops of the installation.

The following table shows the optimum flows for each nozzle outlet configuration to ensure the system works properly.

Output	Combination	Flow x nozzle m ³ /h	Cleaning length in m.	Output surface mm ²
S1	B+D	2	0,50	50
S2	A+D	3	1,00	100
S3	B+C	4	1,50	150
S4	A+C	5	1,80	200

The final result should meet the working specifications of the valve indicated in the following table.

	Minimum	Maximum
Optimum flow rate (m³/h)	8	25
Inside valve pressure (bars)	0,5	1,5

For general use we can use the following table:

Nozzles per branch	Configuration of nozzle	Flow rate m ³ /h		Action radius	Pressure drop (mca)			
		Nozzle	Installation		Nozzle	Valve	Remaining installation	Total
2	S4	5	10	1,8	6,5	1,3	4 *	11,8
3	S4	5	15	1,8	6,5	1,8	4 *	12,3
4	S4	5	20	1,8	6,5	3,0	4 *	13,5
5	S4	5	25	1,8	6,5	4,2	4 *	14,7

Nozzles per branch	Configuration of nozzle	Pipe		Minimum surface mm ²	Continuous overflow			
		Suction	Drive		Concrete pool		Prefabricated pool	
					Quantity	Model	Quantity	Model
2	S4	63	50	6.700	2	41520	2	41518
3	S4	75	63	9.000	3	41520	3	41518
4	S4	90	75	11.200	4	41520	1	22417
5	S4	90	75	13.900	1	28707	1	22418

* Guidance values. Use as an example only for simple installation pools and with a distributor valve near the pool. It is recommended to calculate this value in each installation.

Assembling the valve

Glue the pipes with PVC adhesive, ensuring that the inside of the mechanism keeps clean and that the valve remains level.

The pipes glued in the valve will have a $\varnothing 63$ or $\varnothing 75$ (model 35079) according to the flow of the installation or 2" or 2" ½ diameter (model 33354, 60319).

Leave it for 24 hours after gluing before testing the whole installation for pressure. Before performing the pressure test, remove the caps closing the outlets.

The valve turns **anticlockwise** looking from above.

5. START-UP

Before applying pressure to the valve, carry out the following operations:

Loosen the nut of the band until it comes out of the valve and pull the cover upwards.

Check that the caps are correctly positioned and open at least 2 (see fig. 4).
 Reassemble the cover with the corresponding band.
 Assemble the "T" of the pressure gauge and screw the pressure gauge with the Teflon.
 Once the pump has been started up, open the purge to let the air out from inside the valve.

6. OPERATION

To check that everything is working properly, the pressure gauge incorporated in the distributor valve should indicate between 0.5 and 1.5 bars and when the branch is changed, pressure reduce.

The optimum working flow is between 8 and 25 m³/h.

The operation time will depend on the flow and the number of nozzles per branch. One cycle could take between 1 hr 50 min to 3 hr 30 min.

7. MAINTENANCE

Maintenance work should be carried out on the valve once a year, usually at the start of the bathing season. Clean the inside, removing remains of lime which may be deposited. Make sure that water does not remain inside the valve during winter, as it could freeze and damage the mechanism.

To clean the valve or replace any of its components, follow the **dismantling process**:

7.1.- Removing the cover

Loosen the ring nut until the ring comes out of the valve and pull the cover upwards.

7.2.- Removing the base plate

Once the cover is removed, the whole base plate unit will be uncovered, with its axles, gears and runners. To remove it from the connection body, simply remove the central axle pin using a small screw driver, and pull the base plate upwards.

After removing the base plate, the turbine is uncovered, and should also be pulled upwards.

7.3.- Removing the caps

Only remove the caps if they are very worn. Put it in the open position and place a large screwdriver between the holes and lever out the bayonet anticlockwise.

The **assembly process** is performed in the reverse manner.

8. TROUBLESHOOTING

This section indicates the possible breakdowns of the NET 'N' CLEAN owing only to the erroneous operation of the distributor valve.

PROBLEM	POSSIBLE CAUSE	SOLUTION
The nozzles in more than one circuit are upright.	Worn caps	Replace caps.
The valve does not change circuit	Not enough water flow is reaching the impeller	Check that the installation is in accordance with the specifications of this manual. Choose a larger outlet configuration in the nozzles, or change the pump for one with a greater flow.
	The impeller or inside mechanism are blocked	Dismantle the valve and clean the base plate unit until the gears can be turned by hand. Place the caps in the correct position again.
The joint of the valve is dripping	The ring is loose	Fully tighten the ring.
	The joint and housing are dirty	Clean and reassemble.
	Excess pressure in the valve	Choose a larger outlet hole in the nozzles or change the pump for one with less pressure, so that it is in accordance with the specifications of this manual.

IMPORTANT: le manuel d'instructions que vous avez entre les mains contient des informations de première importance sur les mesures de sécurité à adopter au moment de l'installation et de la mise en service. Il est par conséquent indispensable que l'installateur et l'utilisateur lisent attentivement les instructions avant de commencer le montage et la mise en marche.

Conservez ce manuel en vue de futures consultations sur le fonctionnement de cet appareil.

Pour obtenir un rendement optimum du VALVE DISTRIBUTRICE NET 'N' CLEAN Ø 63, il est recommandé de bien suivre les instructions données ci-dessous :

1. CONSIGNES DE SÉCURITÉ

1. Il est recommandé de ne pas mettre en marche la vanne NET 'N' CLEAN lorsqu'il y a des baigneurs dans la piscine.
2. Ne pas utiliser des graisses ou silicones à usage universel sur les produits ou accessoires.
3. Ne jamais mettre l'appareil en marche sans eau.
4. Débrancher la pompe de la prise de courant pour manipuler la vanne.
5. Il est interdit à quiconque, adultes ou enfants, de s'asseoir sur l'appareil.
6. Ne pas connecter la vanne directement au réseau d'eau, car la pression de ce dernier peut être très élevée et dépasser la pression de service maximale de la vanne.
7. Ne pas utiliser le circuit de filtration pour le remplissage et le réglage du niveau de l'eau de la piscine. Une erreur de manipulation peut engendrer une surpression de la vanne.
8. Toutes les unions étant réalisées avec des joints, à l'exception des vis de l'ensemble du collier, les écrous ne devront pas être excessivement serrés afin d'éviter la rupture des différentes pièces de plastique.
9. Ne pas utiliser de téflon pour assurer l'étanchéité de la pièce du kit de manomètre.

Cet appareil ne doit pas être utilisé par des enfants, des personnes à handicap physique, sensoriel ou intellectuel, ou des personnes non expérimentées ou ne possédant pas les connaissances nécessaires, à moins de se trouver sous la surveillance d'un responsable chargé de leur sécurité ou que celui-ci leur ait transmis les instructions nécessaires à l'utilisation de l'appareil.



Pour éviter tout risque de lésion, empêchez les enfants d'utiliser ou de se tenir à proximité de ce produit.



Les systèmes de circulation d'eau des zones balnéaires et des piscines fonctionnent sous pression au démarrage, pendant le fonctionnement et temporairement une fois la pompe éteinte.

Cette pression dans le système peut provoquer une dislocation des composants du corps supérieur de la vanne si les instructions de sécurité et d'utilisation ne sont pas respectées. Cette rupture ou séparation des composants peut entraîner des dommages matériels et des blessures graves voire la mort.



L'installation et les opérations de maintenance et de réparation de ce produit doivent être réalisées uniquement par un personnel qualifié.

POUR ÉVITER TOUTE DISLOCATION DES COMPOSANTS :

- N'utilisez pas le système NET 'N' CLEAN s'il manque un composant, si le système est endommagé et/ou s'il n'est pas assemblé correctement et/ou s'il contient des pièces autres que des pièces ASTRALPOOL d'origine.
- Utilisez UNIQUEMENT des composants du système de fixation ASTRALPOOL. Les composants d'autres marques pourraient être défectueux pendant l'utilisation, causer des dégâts et représenter un risque pour l'intégrité physique des personnes.
- Avant toute opération d'entretien du système NET 'N' CLEAN, vérifiez que toutes les commandes du système et de la pompe se trouvent en position OFF (éteint) et que le bouchon de purge d'air situé sur le manomètre est ouvert.
- COLLIER (système de fixation) – Vissez à la main les vis de fixation du collier au maximum. Les parties du collier doivent être séparées de 1 cm.
- Avant de mettre en fonctionnement la pompe du système, assurez-vous que :
 - Toutes les vannes du système sont dans une position permettant le retour de l'eau du filtre dans la piscine.
 - Le bouchon de purge d'air du manomètre doit être complètement ouvert.
- Lors de la mise en marche de la pompe, éloignez-vous de la vanne.
- En cas de fuite au niveau de la fixation de la vanne, éteignez immédiatement toutes les pompes de circulation et l'alimentation électrique du système. Ne vous approchez pas de la vanne tant que le flux d'eau n'est pas complètement arrêté. Remplacez le système de fixation conformément aux instructions du manuel de l'utilisateur afin de stopper la fuite.
- Refermez le bouchon de purge du manomètre lorsque vous vous serez assuré que le jet d'eau sortant est constant (sans air, sans mélange air/eau).
- Ne manipulez pas, ne changez pas la position de la vanne de contrôle du filtre tant que la pompe du système est en fonctionnement.



Une pression supérieure à la pression de service maximale (indiquée dans ce manuel) dans le système NET 'N' CLEAN peut provoquer une dislocation des composants susceptible d'entraîner des dommages matériels, des blessures graves voire la mort.

2. VÉRIFIEZ LE CONTENU DE L'EMBALLAGE

À l'intérieur de la boîte, vous trouverez les pièces suivantes :

- Valve distributrice
- Té manomètre avec joint
- Manomètre 3 bar-psi
- Rouleau de ruban téflon
- Manuel d'installation et d'entretien

3. CARACTÉRISTIQUES GÉNÉRALES

La VALVE DISTRIBUTRICE NET 'N' CLEAN fait partie du système portant le même nom et destiné au nettoyage intégré du fond des piscines. La valve a pour mission de distribuer d'une manière séquentielle le flux d'eau à travers ses différentes sorties pour l'envoyer jusqu'aux buses situées au fond de la piscine. Ces buses projettent l'eau sous pression en vue du nettoyage de la piscine.

La distribution s'obtient grâce à une turbine et à toute une série d'engrenages ancrés sur la plaque de base chargée d'ouvrir et de fermer dans le sens contraire des aiguilles d'une montre les chapeaux d'une façon séquentielle.

Parmi ses principaux avantages, citons l'obtention d'une distribution plus homogène de la température et des produits chimiques dans la piscine et l'élimination de montages encombrants pour effectuer le nettoyage.

Bien que ce système automatise en grande partie le nettoyage de la piscine, il n'élimine pas complètement les opérations manuelles telles que le brossage de la piscine.

La valve dispose à sa base de 7 raccords, le raccord central étant l'entrée et les autres 6 raccords les sorties; Ø63 - Ø75 pour la version européenne et Ø2" - Ø2" ½ pour les versions des USA et de l'AUSTRALIE.

Principaux avantages qu'elle présente :

- Tous les raccords sont à la base.
- Ne requiert aucun dispositif électrique pour son fonctionnement.
- Montage et démontage du couvercle très faciles grâce à la frette.
- Toutes les pièces métalliques sont résistantes aux différents traitements appliqués à l'eau de la piscine.

4. INSTALLATION ET EMPLACEMENT

En vue d'un rendement optimal du système de nettoyage NET 'N' CLEAN, il est recommandé d'utiliser une pompe indépendante équipée d'un pré-filtre (*Fig. 1*).

Il faut temporiser le fonctionnement de la pompe du système Net'N'Clean pendant les heures de filtration. Le nombre d'heures de fonctionnement du système Net'N'Clean peut varier considérablement ; il est recommandé de commencer par 4 heures par jour et d'ajuster le nombre d'heures jusqu'à obtenir un nettoyage optimum de la piscine.

Il est conseillé d'installer la vanne distributrice le plus près possible de la piscine afin de réduire la longueur des tubes utilisés. Comme tout équipement de piscine, elle peut requérir un entretien, et il est donc fortement recommandé de placer des vannes d'isolation sur toutes les entrées et les sorties de l'embout.

Si l'aspiration va directement au bassin de la piscine, ne jamais installer une seule prise d'aspiration en raison du risque que cela comporte. Installer au moins 2 prises d'aspiration sur le mur vertical avec une séparation de plus de 2m et à une distance de plus de 20 cm du fond.

Si le rayon d'action de la buse est de 1,8 m, les buses doivent être réparties au fond de la piscine et dans les escaliers. Il faut laisser une distance de 0,8 m dans les murs.

Les tronçons doivent être compensés ; s'il est nécessaire d'augmenter le nombre de buses pour certains d'entre eux (par exemple dans les escaliers), combiner les différentes configurations de la buse. (S1, S2, S3, S4).

Sur la marche supérieure de l'escalier, il est conseillé de réaliser la configuration S1 de la buse pour éviter les éclaboussures (Fig. 3).

Si toutes les sorties de la valve ne sont pas nécessaires, ne bloquez jamais une des sorties car la valve cesserait de fonctionner, dans ces cas, il faut assembler 2 sorties ou plus pour alimenter un seul branchement.

Si l'installation a besoin de plus de 6 sorties installer 2 circuits parallèles avec 2 pompes (Fig. 2).

Choix de la pompe

Pour que le système fonctionne parfaitement, il est très important de réaliser une configuration correcte des buses et d'installer une pompe appropriée.

Pour choisir la pompe, vous avez besoin de savoir le débit nécessaire pour chaque buse et les pertes de charge de l'installation.

Le tableau suivant vous indique les débits optimaux pour chaque configuration de sortie de la buse afin d'obtenir un bon fonctionnement du système.

Sortie	Combinaison	Débit par buse m ³ /h	Longueur de nettoyage en m.	Surface de sortie mm ²
S1	B+D	2	0,50	50
S2	A+D	3	1,00	100
S3	B+C	4	1,50	150
S4	A+C	5	1,80	200

Le résultat final doit respecter les spécifications de travail de la valve signalées dans le tableau suivant.

	Minimum	Maximum
Débit optimum (m ³ /h)	8	25
Pression intérieur valve (bars)	0,5	1,5

Pour un usage général nous pouvons utiliser le tableau suivant :

Buses par branchement	Configuration buse	Débit m ³ /h		Rayon d'action	Perte de charge (mca)			
		Buse	Installation		Buse	Valve	Reste de l'installation	Total
2	S4	5	10	1,8	6,5	1,3	4 *	11,8
3	S4	5	15	1,8	6,5	1,8	4 *	12,3
4	S4	5	20	1,8	6,5	3,0	4 *	13,5
5	S4	5	25	1,8	6,5	4,2	4 *	14,7

Buses par branchement	Configuration buse	Tuyau		Buses d'aspiration				
		Aspiration	Impulsion	Surface minimum mm ²	Pisc. de béton		Pisc. préfabriquée	
					Quantité	Modèle	Quantité	Modèle
2	S4	63	50	6.700	2	41520	2	41518
3	S4	75	63	9.000	3	41520	3	41518
4	S4	90	75	11.200	4	41520	1	22417
5	S4	90	75	13.900	1	28707	1	22418

* Valeurs à titre indicatif. N'utilisez en guise d'exemple que pour les piscines dont l'installation est peu complexe et où la valve distributrice est proche de la piscine. Il est recommandé de calculer cette valeur pour chaque installation.

Montage de la valve

Encollez les tuyaux avec de la colle spéciale pour PVC en veillant de ne pas salir les mécanismes intérieurs et que la valve soit bien nivelée.

Les tuyaux qui seront collés sur la valve seront de Ø63 ou Ø75 (modèle 35079) dépendant du débit de l'installation ou de 2" ou 2" ½ (modèle 33354, 60319).

Après le collage, attendez 24 heures avant de faire l'essai sous pression de toute l'installation. Avant de réaliser l'essai sous pression, retirez les chapeaux qui ferment les sorties.

La valve **tourne en sens contraire aux aiguilles d'une montre**, vue d'en haut.

5. MISE EN MARCHÉ

Avant de mettre la valve sous pression, effectuez les opérations suivantes :

Desserrer l'écrou de la frette jusqu'à parvenir à extraire la frette de la soupape et tirer sur le couvercle.

Vérifier que les chapeaux sont parfaitement à leur place et en ouvrir au moins deux (voir fig. 4).

Remonter le couvercle avec la frette correspondante.

Monter le "T" du manomètre et visser le manomètre en utilisant du téflon.

Après avoir mis la pompe en marche, ouvrez la purge pour que puisse sortir l'air de l'intérieur de la valve.

6. FONCTIONNEMENT

Pour vérifier que tout fonctionne correctement, le manomètre incorporé sur la valve distributrice doit marquer entre 0,5 et 1,5 bars et, quand il fait le changement de branchement, la pression baisse.

Le débit optimum de travail est compris entre 8 et 25 m³/h.

Le temps d'intervention dépendra du débit et du nombre de buses par raccordement ; un tour complet peut varier entre 1' 50" et 3' 30".

7. ENTRETIEN

Une fois par an, il serait recommandable de faire un entretien de la valve, généralement au début de la saison des baignades. Pour ce, il faut bien la nettoyer à l'intérieur, en éliminant les restes de chaux qui peuvent y avoir pénétré. Pendant la période d'hivernage, veillez à ce qu'il ne reste pas d'eau emmagasinée à l'intérieur de la valve car, si elle gèle, cela pourrait en abîmer le mécanisme.

Pour procéder au nettoyage de la valve ou pour remplacer l'un ou l'autre de ses composants, il faudra suivre le **procédé de démontage** suivant :

7.1.- Retrait du couvercle

Desserrez l'écrou de la frette jusqu'à parvenir à extraire la frette de la valve et tirer sur le couvercle.

7.2.- Retrait de la plaque base

Une fois le couvercle retiré, tout l'ensemble de la plaque base est à découvert avec ses moyeux, ses engrenages et sa roue. Pour l'extraire du corps connexions, il faut tout simplement enlever, à l'aide d'un petit tournevis, la clavette du moyeu central et de tirer sur la plaque base.

La plaque base ayant été retirée, la turbine est à découvert ; tirer alors dessus.

7.3.- Retrait des chapeaux

Ne retirer les chapeaux que s'ils sont très abîmés. Mettre en position Ouvert et, en mettant un grand tournevis entre les orifices, appuyer avec force dans le sens contraire aux aiguilles d'une montre pour extraire la baïonnette.

Pour effectuer le **montage**, procéder en sens inverse de celui décrit ci-dessus.

8. POSSIBLES PANNES

Cette rubrique tient compte des pannes que peut avoir le système NET 'N' CLEAN dues uniquement au fonctionnement incorrect de la valve distributrice.

PROBLÈME	CAUSE ÉVENTUELLE	SOLUTION
Les buses de plus d'un circuit restent levées	Usure des chapeaux	Remplacer les chapeaux.
La valve n'effectue pas le changement de circuit	Le rotor ne reçoit pas suffisamment de débit d'eau	Vérifier que l'installation est conforme aux spécifications de ce manuel. Choisir une configuration de sortie sur les buses plus grande ou bien remplacer la pompe par une autre au plus grand débit.
	Le rotor ou le mécanisme interne est coincé	Démonter la valve et nettoyer l'ensemble de la plaque de base jusqu'à pouvoir faire tourner les engrenages à la main. Remettre les chapeaux en position correcte.
La valve perd par le raccord	La frette a du jeu	Serrer fort la frette.
	Le joint et son logement sont sales	Les nettoyer et remonter le joint.
	Excès de pression sur la valve	Choisir un orifice de sortie sur les buses plus grand ou bien remplacer la pompe par une autre ayant moins de pression, pour avoir un point de travail conforme aux spécifications de ce manuel.

IMPORTANTE: El manual de instrucciones que usted tiene en sus manos, contiene información fundamental acerca de las medidas de seguridad a adoptar a la hora de la instalación y la puesta en servicio. Por ello, es imprescindible que tanto el instalador como el usuario lean las instrucciones antes de pasar al montaje y la puesta en marcha. Conserve este manual para futuras consultas acerca del funcionamiento de este aparato.

Para conseguir un óptimo rendimiento de la VÁLVULA DISTRIBUIDORA NET 'N' CLEAN Ø 63, es conveniente observar las instrucciones que se indican a continuación.

1. ADVERTENCIAS DE SEGURIDAD

1. Se recomienda no poner en marcha el sistema NET 'N' CLEAN cuando haya bañistas en la piscina.
2. No utilizar grasas ni siliconas de uso universal en el productos o accesorios.
3. Nunca haga funcionar el equipo sin agua.
4. Siempre que deba manipular la válvula, desconecte la bomba de la toma de corriente.
5. No permita a niños o adultos sentarse sobre el equipo.
6. No conectar directamente la válvula a la red de agua, ya que la presión de la misma puede ser muy elevada y exceder la presión máxima de trabajo de ésta.
7. No utilizar el circuito de la válvula NET 'N' CLEAN para el llenado y la regulación del nivel de agua de la piscina. Un error de manipulación puede producir una sobrepresión la válvula.
8. Debido a que todas las uniones se hacen con juntas, exceptuando los tornillos del conjunto Zuncho, no apriete las tuercas excesivamente a fin de evitar la rotura de las diferentes piezas de plástico.
9. No utilizar teflón en la pieza Kit manómetro para asegurar estanqueidad.

Este aparato no está destinado al uso por parte de niños, personas con discapacidades físicas, sensoriales o intelectuales ni personas sin la experiencia o los conocimientos necesarios, a menos que estén bajo supervisión de una persona responsable de su seguridad o ésta les haya facilitado las instrucciones pertinentes para el uso del aparato.



Para evitar riesgos de lesiones, impida que los niños usen o esten cerca de este producto.



Los sistemas de circulación de agua de balnearios y piscinas funcionan bajo presión al arranque, durante el funcionamiento y provisionalmente una vez apagada la bomba.

Dicha presión en el sistema, puede provocar una separación repentina de los componentes del cuerpo superior de la válvula, en caso de que no se respeten las instrucciones de seguridad y uso. Esta rotura o separación de componentes puede causar daños materiales y daños personales pudiendo causar lesiones graves o incluso la muerte.



La instalación y las operaciones de mantenimiento y reparación de este producto deberían realizarse únicamente por personal cualificado .

PARA EVITAR LA SEPARACIÓN DE COMPONENTES:

- No utilice el sistema NET 'N' CLEAN si un componente falta, está dañado, y/o no está ensamblado correctamente y/o haya cualquier pieza que no sea original ASTRALPOOL.
- Use ÚNICAMENTE componentes del sistema de fijación ASTRALPOOL. Los componentes de otras marcas podrían fallar durante el uso, causar daños y provocar un riesgo para la integridad física de las personas.
- Antes de realizar cualquier operación de mantenimiento el sistema NET 'N' CLEAN, asegúrese de que todos los controles del sistema y la bomba están en posición OFF (apagado) y el tapon purga de aire ubicado en el manómetro está abierto.
- ZUNCHO (sistema de fijación) - Apriete a mano los tornillos de sujeción del zuncho lo máximo posible, debe hacer una separación entre los elementos del suncho de 1 cm.
- Antes de poner en funcionamiento la bomba del sistema, asegúrese:
 - Todas las válvulas del sistema están en una posición que permita el retorno del agua del filtro a la piscina.
 - Que el tapon purga de aire del manómetro debe estar abierto completamente.
- Cuando ponga la bomba en funcionamiento, no permanezca cerca de la válvula.
- Si se produce una fuga de agua en el área de fijación de la válvula, apague inmediatamente todas las bombas de circulación y el suministro eléctrico del sistema. No se aproxime a la válvula hasta que se haya detenido por completo el flujo de agua. Vuelve a colocar el sistema de fijación conforme a las instrucciones del manual de usuario para detener la fuga.
- Vuelva a cerrar el tapón purga del manómetro cuando se haya asegurado que solo salga un chorro de agua constante (no aire ni mezcla de aire y agua).
- No manipule ni cambie la posición de la válvula de control del filtro mientras la bomba del sistema esté funcionando.



Una presión superior a la presión máxima de trabajo (establecida en este manual) en el sistema de NET 'N' CLEAN puede provocar una separación repentina de los componentes que podría ocasionar daños materiales, causar lesiones graves o incluso la muerte.

2. COMPRUEBE EL CONTENIDO DEL EMBALAJE

En el interior de la caja encontrará lo siguiente:

- Válvula distribuidora.
- Te manómetro con junta
- Manómetro 3 bar-psi
- Rollo de cinta de teflón
- Manual de instalación y mantenimiento

3. CARACTERÍSTICAS GENERALES

La VÁLVULA DISTRIBUIDORA NET 'N' CLEAN forma parte del sistema del mismo nombre destinado a la limpieza integrada en el fondo de las piscinas. La válvula tiene como función distribuir de manera secuencial el flujo de agua por sus diferentes salidas para que éste llegue a las boquillas situadas en el fondo de la piscina. Estas boquillas proyectan agua a presión para la limpieza de la piscina.

La distribución se consigue a través de una turbina y una serie de engranajes anclados a la placa base encargada de abrir y cerrar en sentido anti-horario las tapetas de forma secuencial.

Entre sus principales ventajas podemos mencionar la obtención de una distribución más homogénea de la temperatura y de los productos químicos en la piscina y la eliminación de montajes aparatosos para llevar a cabo la limpieza.

Aunque este sistema automatiza en gran medida la limpieza de la piscina, no elimina totalmente operaciones manuales como el cepillado de la piscina.

La válvula dispone en su base de 7 conexiones, siendo la conexión central la entrada y las otras 6 conexiones las salidas; Ø63 - Ø75 para versión europea y Ø2" - Ø2" ½ para las versiones de USA y AUSTRALIA.

Principales ventajas que presenta:

- Todas las conexiones se encuentran en la base.
- No requiere ningún dispositivo eléctrico para su funcionamiento.
- Fácil montaje y desmontaje de la cubierta mediante zuncho.
- Todas las piezas metálicas son resistentes a los distintos tratamientos aplicados al agua de la piscina.

4. INSTALACION Y EMPLAZAMIENTO

Para un óptimo rendimiento del sistema de limpieza NET 'N' CLEAN, se recomienda utilizar una bomba independiente con prefiltro (*Fig.1*)

Se debe temporizar el funcionamiento de la bomba del sistema Net'N'Clean dentro las horas de filtración. El número de horas de funcionamiento del sistema Net'N'Clean puede variar mucho, se recomienda empezar con 4 horas al día e ir ajustando el número de horas hasta conseguir una limpieza óptima de la piscina.

Se recomienda instalar la válvula distribuidora lo más cerca posible de la piscina para reducir la longitud de los tubos utilizados. Como cualquier equipamiento de piscina puede requerir un mantenimiento por lo que se recomienda encarecidamente válvulas de aislamiento en todas las entradas y salidas del cabezal.

Si la aspiración es directa al vaso de la piscina, nunca instalar una sola toma de aspiración con el peligro que esto conlleva. Instalar como mínimo 2 tomas de aspiración en la pared vertical con una separación mayor a 2m y a una distancia mayor a 20cm del fondo.

Las boquillas deben distribuirse en el fondo de la piscina y en la escalera en el caso que haya teniendo en cuenta que el radio de acción de la boquilla es de 1,8m. En las paredes debemos dejar una distancia de 0,8m.

Los ramales deben estar compensados, si se necesita aumentar el número de boquillas en alguno de ellos (por ejemplo en las escaleras) se combinarán las diferentes configuraciones de la boquilla (S1, S2, S3, S4).

En el peldaño superior de la escalera se aconseja poner la configuración S1 de la boquilla para evitar salpicaduras (*Fig. 3*).

Si no son necesarias todas las salidas de la válvula, nunca tapar alguna de las salidas ya que la válvula dejaría de funcionar, en estos casos hay que unir 2 o más salidas para alimentar un solo ramal.

Si la instalación requiere más de 6 salidas instalar 2 circuitos paralelos con 2 bombas. (Fig. 2).

Elección de la bomba

Para el funcionamiento óptimo del sistema es muy importante realizar una configuración correcta de las boquillas e instalar una bomba adecuada.

Para la elección de la bomba necesitamos saber el caudal necesario para cada boquilla y las pérdidas de carga de la instalación.

En la tabla siguiente se muestra los caudales óptimos para cada configuración de salida de la boquilla y conseguir un buen funcionamiento del sistema.

Salida	Combinación	Caudal x boquilla m ³ /h	Longitud de limpieza en m.	Superficie de salida mm ²
S1	B+D	2	0,50	50
S2	A+D	3	1,00	100
S3	B+C	4	1,50	150
S4	A+C	5	1,80	200

El resultado final debe cumplir con las especificaciones de trabajo de la válvula especificadas en la tabla siguiente.

	Mínimo	Máximo
Caudal óptimo (m³/h)	8	25
Presión interior válvula (bars)	0,5	1,5

Para uso general podemos utilizar la tabla siguiente:

Boquillas por ramal	Configuración boquilla	Caudal m ³ /h		Radio de acción	Pérdida carga (mca)			
		Boquilla	Instalación		Boquilla	Válvula	Resto instalación	Total
2	S4	5	10	1,8	6,5	1,3	4 *	11,8
3	S4	5	15	1,8	6,5	1,8	4 *	12,3
4	S4	5	20	1,8	6,5	3,0	4 *	13,5
5	S4	5	25	1,8	6,5	4,2	4 *	14,7

Boquillas por ramal	Configuración boquilla	Tubería		Superficie mínima mm ²	Boquilla aspiración			
		Aspiración	Impulsión		Pisc. Hormigón		Pisc. Prefabricada	
					Cantidad	Modelo	Cantidad	Modelo
2	S4	63	50	6.700	2	41520	2	41518
3	S4	75	63	9.000	3	41520	3	41518
4	S4	90	75	11.200	4	41520	1	22417
5	S4	90	75	13.900	1	28707	1	22418

* Valores orientativos. Usar a modo de ejemplo sólo para piscinas con instalación de poca complejidad y con válvula distribuidora cercana a la piscina. Se recomienda calcular este valor en cada instalación.

Montaje válvula

Encolar los tubos con adhesivo para PVC procurando no ensuciar los mecanismos interiores y que la válvula quede nivelada.

Los tubos que se encolarán en la válvula serán de Ø63 o Ø75 (modelo 35079) dependiendo del caudal de la instalación o de 2" o 2" ½ (modelos 33354, 60319).

Después de la encoladura dejar pasar 24 horas antes de hacer la prueba de presión de toda la instalación. Antes de realizar la prueba a presión retirar las tapetas que cierran las salidas.

La válvula **gira en sentido antihorario** mirándola desde arriba.

5. PUESTA EN MARCHA

Antes de dar presión a la válvula realizar las siguientes operaciones:

Aflojar la tuerca del zuncho hasta conseguir sacar el zuncho de la válvula y tirar hacia arriba la cubierta.

Verificar que las tapetas estén perfectamente posicionadas y abrir como mínimo 2 (ver fig. 4).

Volver a montar la cubierta con el respectivo zuncho.

Montar la "T" del manómetro y roscar con teflón el manómetro.

Una vez puesta la bomba en marcha abrir la purga para que pueda salir el aire del interior de la válvula.

6. FUNCIONAMIENTO

Para verificar que todo funcione correctamente, el manómetro incorporado en la válvula distribuidora debe marcar entre 0,5 y 1,5 bars y cuando hace el cambio de ramal la presión baja.

El caudal óptimo de trabajo es entre 8 y 25 m³/h.

El tiempo de actuación dependerá del caudal y el número de boquillas por ramal, una vuelta entera puede oscilar entre 1' 50" y 3' 30"

7. MANTENIMIENTO

Una vez al año se debería hacer un mantenimiento de la válvula, generalmente al inicio de la temporada de baño. Se debe limpiar bien su interior, eliminando los restos de cal que puedan haber precipitado. Asegurarse que durante el período de hivernaje no quede agua almacenada en el interior de la válvula ya que en caso de congelarse podría dañar su mecanismo.

Para proceder a la limpieza de la válvula o para cambiar alguno de sus componentes, se seguirá el siguiente **proceso de desmontaje**:

7.1.- Retirada de la cubierta

Aflojar la tuerca del zuncho hasta conseguir sacar el zuncho de la válvula y tirar hacia arriba la cubierta.

7.2.- Retirada de la placa base

Una vez retirada la cubierta, queda al descubierto todo el conjunto de la placa base con sus ejes, engranajes y rodete. Para sacarla del cuerpo conexiones, simplemente debe quitar con un destornillador pequeño el pasador del eje central y tirar hacia arriba la placa base.

Después de quitar la placa base queda al descubierto la turbina, tirar hacia arriba.

7.3.- Retirada de las tapetas

Solamente retirar las tapetas en el caso que se hayan deteriorado mucho. Poner en posición abierto y poniendo un destornillador grande entre los orificios, hacer palanca con fuerza en sentido antihorario para sacar la bayoneta.

El **proceso de montaje** se realizará de modo inverso al descrito.

8. POSIBLES AVERÍAS

En este apartado se tienen en cuenta las averías que pueda tener el sistema NET 'N' CLEAN debidas únicamente al funcionamiento erróneo de la válvula distribuidora.

PROBLEMA	POSIBLE CAUSA	SOLUCION
Permanecen levantadas las boquillas de más de un circuito	Desgaste de las tapetas	Cambiar las tapetas
La válvula no efectúa el cambio de circuito	Al rodete no le llega la suficiente caudal de agua	Comprobar que la instalación sea la adecuada acorde las especificaciones de este manual. Elegir una configuración de salida en las boquillas más grande o cambiar la bomba por una de mayor caudal.
	El rodete o mecanismo interior están trabados	Desmontar la válvula y limpiar el conjunto placa base hasta poder girar los engranajes con la mano. Volver a posicionar correctamente las tapetas.
La válvula gotea por la unión	El zuncho está flojo	Apretar fuertemente el zuncho

	La junta y su alojamiento están sucios	Limpiar y volver a montar
	Exceso de presión en la válvula	Elegir un agujero de salida en las boquillas más grande o cambiar la bomba por una con menos presión, para tener un punto de trabajo conforme con la especificación de este manual.

IMPORTANTE: Il manuale d'istruzioni in suo possesso contiene informazioni fondamentali sulle misure di sicurezza da adottare per l'installazione e la messa in servizio. Per ciò è imprescindibile che sia l'installatore che l'utente leggano le istruzioni prima di iniziare il montaggio e la messa in servizio.

Conservi questo manuale per poter consultare in futuro in merito al funzionamento di questo apparecchio.

Per ottenere un ottimo rendimento della VALVOLA DI DISTRIBUZIONE NET 'N' CLEAN Ø 63, conviene leggere le istruzioni indicate a continuazione:

1. AVVERTENZE DI SICUREZZA

1. È raccomandabile avviare il NET 'N' CLEAN quando non ci sono bagnanti nella piscina.
2. Non utilizzare né grassi, né siliconi per uso universale con i prodotti o accessori.
3. Non utilizzare mai l'apparecchio senza acqua.
4. Ogni volta che si deve manipolare la valvola, scollegare la pompa dalla presa di corrente.
5. Non permettere a bambini o adulti di sedersi sull'apparecchio.
6. Non collegare direttamente la valvola alla rete idrica, dal momento che la sua pressione potrebbe essere molto elevata e superare la pressione massima di esercizio.
7. Non utilizzare il circuito di filtrazione per effettuare un riempimento e regolare il livello dell'acqua della piscina. Un errore di manipolazione può causare una sovrappressione nella valvola.
8. Poiché tutte le giunzioni sono realizzate mediante guarnizioni, tranne le viti del gruppo della ghiera, non serrare eccessivamente i dadi per evitare la rottura dei vari componenti di plastica.
9. Non utilizzare teflon sulla parte Kit manometro per garantire la tenuta stagna.

Questo apparecchio non è destinato all'uso da parte di bambini, persone con disabilità fisiche, sensoriali o mentali né persone inesperte o comunque sprovviste delle conoscenze necessarie, a meno che non agiscano sotto la supervisione di una persona responsabile della loro sicurezza o che non abbiano ricevuto da quest'ultima delle istruzioni pertinenti in merito all'utilizzo dell'apparecchio.



Per evitare qualsiasi rischio di lesioni, evitare che i bambini utilizzino o si avvicinino a questo prodotto.



I sistemi di circolazione dell'acqua in centri benessere e piscine funzionano sotto pressione all'avvio, durante l'esercizio e temporaneamente dopo lo spegnimento della pompa.

Tale pressione del sistema può provocare il distacco improvviso dei componenti del corpo superiore della valvola, nel caso in cui non si rispettino le istruzioni di sicurezza e d'uso. Questa rottura o distacco di componenti può causare danni alle cose e danni alle persone, tra i quali lesioni gravi e persino la morte.



Affidare tutte le operazioni di installazione, manutenzione e riparazione del prodotto esclusivamente a personale qualificato.

PER EVITARE IL DISTACCO DI COMPONENTI:

- Non utilizzare il sistema NET 'N' CLEAN se un componente è mancante, è danneggiato e/o non è montato correttamente e/o è presente un pezzo che non è originale ASTRALPOOL.
- Utilizzare SOLO componenti del sistema di fissaggio ASTRALPOOL. I componenti di altre marche potrebbero guastarsi durante l'uso, causare danni e mettere a repentaglio l'integrità fisica delle persone.
- Prima di effettuare qualsiasi operazione di manutenzione del sistema NET 'N' CLEAN, assicurarsi che tutti i controlli del sistema e la pompa siano in posizione OFF (spento) e il tappo di sfiato dell'aria ubicato nel manometro sia aperto.
- GHIERA (sistema di fissaggio) - Stringere a mano il più possibile le viti di fissaggio della ghiera, è necessario effettuare una separazione tra gli elementi della ghiera di 1 cm.
- Prima di azionare la pompa del sistema, accertarsi che:
 - Tutte le valvole del sistema siano in una posizione tale da consentire il ritorno dell'acqua dal filtro alla piscina.
 - Il tappo di sfiato dell'aria del manometro sia completamente aperto.
- Quando si mette in funzione la pompa, non sostare vicino alla valvola.
- Se si produce una fuoriuscita di aria nell'area di fissaggio della valvola, spegnere immediatamente tutte le pompe di circolazione e l'alimentazione elettrica del sistema. Non avvicinarsi alla valvola finché il flusso di acqua non si sarà interrotto completamente. Rimontare il sistema di fissaggio, seguendo le istruzioni riportate nel manuale d'uso al fine di bloccare la fuoriuscita.
- Chiudere nuovamente il tappo di sfiato del manometro, una volta controllato che esca solo un flusso d'acqua costante (senza aria né miscela aria/acqua).
- Non maneggiare né modificare la posizione della valvola di controllo del filtro quando la pompa dell'impianto sta funzionando.



Una pressione superiore alla pressione massima di esercizio (stabilita in questo manuale) nel sistema di NET 'N' CLEAN può provocare un distacco improvviso dei componenti che potrebbe causare danni alle cose e danni alle persone, tra i quali lesioni gravi e persino la morte.

2. VERIFICARE IL CONTENUTO DELL'IMBALLAGGIO

All'interno della scatola si trova quanto segue:

- Valvola di distribuzione
- T manometro con giunta
- Manometro 3 bar-psi
- Rotolo di nastro di teflon
- Manuale d'installazione e manutenzione

3. CARATTERISTICHE GENERALI

La VALVOLA DI DISTRIBUZIONE NET 'N' CLEAN forma parte del sistema omonimo destinato alla pulizia integrata nel fondo della piscina. La funzione della valvola è quella di distribuire in maniera sequenziale il flusso d'acqua attraverso le sue diverse uscite affinché questo possa arrivare agli erogatori che sono situati nel fondo della piscina. Questi erogatori proiettano acqua a pressione per la pulizia della piscina.

La distribuzione si ottiene attraverso una turbina e una serie di ingranaggi ancorati alla placca base che ha la funzione di aprire e chiudere in senso antiorario i coperchietti in forma sequenziale.

Tra i suoi principali vantaggi si può sottolineare l'ottenimento di una distribuzione maggiormente omogenea della temperatura e dei prodotti chimici nella piscina e l'eliminazione di montaggi complicati per poter portare a capo le operazioni di pulizia.

Sebbene questo sistema renda in gran misura automatica la pulizia della piscina, non elimina totalmente le operazioni manuali come la spazzolatura della piscina.

La valvola dispone nella sua base di 7 connessioni, delle quali quella centrale è l'entrata e le altre 6 connessioni sono le uscite; Ø63 - Ø75 per la versione europea e Ø2" - Ø2" ½ per le versioni USA e AUSTRALIA.

Principali vantaggi che presenta:

- Tutte le connessioni si trovano nella base;
- non richiede di alcun dispositivo elettrico per il funzionamento;
- facile montaggio e smontaggio del coperchio per mezzo di ghiera;
- tutti i pezzi metallici sono resistenti ai vari trattamenti applicati all'acqua della piscina.

4. INSTALLAZIONE E POSIZIONAMENTO

Per ottenere un rendimento ottimo del sistema di pulizia NET 'N' CLEAN, si consiglia di utilizzare una pompa indipendente con prefiltro (*Fig. 1*)

Il funzionamento della pompa del sistema Net'N'Clean deve essere temporizzato all'interno dell'orario di filtrazione. Il numero di ore in cui il sistema Net'N'Clean rimane in funzione può variare notevolmente; è consigliabile cominciare da 4 ore il giorno e regolare la quantità di ore fino a ottenere una perfetta pulizia della piscina.

È consigliabile installare la valvola di distribuzione il più vicino possibile alla piscina per ridurre la lunghezza dei tubi necessari. Come qualsiasi altro dispositivo per la piscina può richiedere operazioni di manutenzione. È quindi vivamente consigliabile usare valvole di isolamento in tutti gli ingressi e le uscite della testa.

Se l'aspirazione va direttamente alla vasca della piscina, non installare mai una sola presa di aspirazione, considerando il pericolo che rappresenta. Installare come minimo 2 prese di aspirazione sulla parete verticale, separate da una distanza superiore a 2 m e a una distanza di oltre 20 cm dal fondo.

Le bocchette devono essere distribuite sul fondo della piscina e sulla scala, se presente, tenendo in considerazione che il raggio di azione della bocchetta è di 1,8 m. Sulle pareti è necessario lasciare una distanza di 0,8 m.

I rami devono essere compensati. Se è necessario aumentare il numero di bocchette su alcuni rami (ad esempio sulle scale), si combineranno le varie configurazioni della bocchetta (S1, S2, S3, S4).

Sul gradino superiore della scala è consigliabile utilizzare la configurazione S1 della bocchetta per evitare schizzi (*Fig. 3*).

Nel caso in cui non siano necessarie tutte le uscite della valvola, non bisogna mai ostruire una delle uscite perché la valvola non potrebbe più funzionare, in questi casi si devono unire 2 o più uscite per alimentare una sola diramazione.

Se l'installazione richiede più di 6 uscite installi 2 circuiti paralleli con 2 pompe.(Fig. 2).

Scelta della pompa

Per ottenere un funzionamento ottimo del sistema è molto importante impostare una configurazione corretta degli erogatori e installare una pompa adeguata.

Per la scelta della pompa è necessario conoscere la portata necessaria per ogni erogatore e le perdite di carico dell'installazione.

Nella seguente tabella sono riportate le portate ottime per ogni configurazione d'uscita dell'erogatore e ottenere un buon funzionamento del sistema.

Uscita	Combinazione	Portata x bocchetta m ³ /h	Lunghezza di pulizia in m.	Superficie di uscita mm ²
S1	B+D	2	0,50	50
S2	A+D	3	1,00	100
S3	B+C	4	1,50	150
S4	A+C	5	1,80	200

Il risultato finale deve rispettare le specificazioni di lavoro della valvola che vengono indicate nella seguente tabella.

	Minimo	Massimo
Portata optimum (m³/h)	8	25
Pressione interna valvola (bar)	0,5	1,5

Per uso generale possiamo usare la seguente tabella:

Erogatori per diramazione	Configurazione erogatore	Portata m ³ /h		Raggio d'azione	Perdita carico (mca)			
		Erogatore	Installazione		Erogatore	Valvola	Resto installazione	Totale
2	S4	5	10	1,8	6,5	1,3	4 *	11,8
3	S4	5	15	1,8	6,5	1,8	4 *	12,3
4	S4	5	20	1,8	6,5	3,0	4 *	13,5
5	S4	5	25	1,8	6,5	4,2	4 *	14,7

Erogatori per diramazione	Configurazione erogatore	Tubo		Superficie minimo mm ²	Bocchette di aspirazione			
		Aspirazione	Impulsione		Pisc. Cemento		Pisc. Prefabbricata	
					Quantità	Modello	Quantità	Modello
2	S4	63	50	6.700	2	41520	2	41518
3	S4	75	63	9.000	3	41520	3	41518
4	S4	90	75	11.200	4	41520	1	22417
5	S4	90	75	13.900	1	28707	1	22418

* Valori orientativi. Usare in maniera di esempio solo per piscine con un'installazione di complessità ridotta e con valvola di distribuzione vicina alla piscina. Si consiglia di calcolare questo valore in ogni installazione.

Montaggio della valvola

Incollare le tubature con adesivo per PVC facendo in modo di non sporcare gli interni di meccanismi e che la valvola sia livellata.

Le tubature da incollare nella valvola dovranno essere da Ø 63 o Ø75 (modello 35079) secondo la portata dell'installazione o da 2" o 2" ½ (modello 33354, 60319).

Dopo l'incollatura, attendere 24 ora prima di effettuare la prova di pressione di tutta l'installazione. Prima di realizzare la prova a pressione, togliere i coperchietti che chiudono le uscite.

La valvola **gira in senso antiorario**, se la si guarda dall'alto.

5. MESSA IN MARCIA

Prima di erogare la pressione alla valvola si renderà necessario realizzare le operazioni seguenti.
Allentare il dado della ghiera fino a che sia possibile togliere la ghiera della valvola e tirare il rivestimento verso l'alto.
Verificare che i coperchietti siano posizionati in maniera perfetta e aprirne per lo meno 2 (vedi fig. 4)
Rimontare il rivestimento con la sua corrispondente ghiera.
Montare la "T" del manometro e avvitare il manometro con teflon.

Una volta messa in marcia la pompa, aprire lo spurgo affinché possa uscire l'aria dall'interno della valvola.

6. FUNZIONAMENTO

Per verificare che tutto funzioni in maniera corretta, il manometro incorporato nella valvola di distribuzione deve indicare tra 0,5 e 1,5 bar e quando fa il cambio di diramazione la pressione deve andare al di sotto.
la portata ottima di lavoro è tra 8 e 25 m³/h.

Il tempo d'intervento dipenderà dalla portata e dal numero di erogatori per derivazioni, un giro completo può oscillare tra 1' 50" e 3' 30"

7. MANUTENZIONE

Una volta l'anno si dovrebbe realizzare una manutenzione della valvola, generalmente in corrispondenza con l'inizio della stagione dei bagni. Si deve pulire bene la parte interna, per eliminare i resti di calcare che possano essere precipitati. Occorre assicurarsi che durante il periodo invernale non rimanga acqua stagnante all'interno della valvola, giacché in caso di congelamento il ghiaccio potrebbe danneggiarne il meccanismo.

Per procedere alla pulizia della valvola o per cambiare uno qualsiasi dei suoi componenti si dovrà rispettare il seguente **processo di smontaggio**.

7.1.- Rimozione del coperchio

Allentare il dado della ghiera fino a togliere del tutto la ghiera dalla valvola e tirare il rivestimento verso l'alto.

7.2.- Estrazione della placca base

Una volta tolto il rivestimento, rimane allo scoperto tutto l'insieme della placca base con i suoi assi, gli ingranaggi ed i cuscinetti. Per toglierla dal corpo delle connessioni, basta semplicemente togliere con un piccolo cacciavite il passante dell'asse centrale e tirare la placca base verso l'alto.

Dopo aver tolto la placca base, rimane allo scoperto la turbina, tirare verso l'alto.

7.3.- Estrazione dei coperchietti

I coperchietti devono essere tolti solo nel caso in cui si siano deteriorati molto. Mettere in posizione aperto, poi inserendo un cacciavite grande tra i fori far leva con forza in senso antiorario per togliere la baionetta.

Il **processo di montaggio** dovrà essere realizzato in maniera inversa a quello descritto.

8. POSSIBILI AVARIE

In questo paragrafo vengono prese in considerazione le avarie che può subire il sistema NET 'N' CLEAN a causa unicamente del funzionamento erraneo della valvola di distribuzione.

PROBLEMA	POSSIBILE CAUSA	SOLUZIONE
Gli erogatori di più di un circuito rimangono sollevati	Consumo dei coperchietti	Cambiare i coperchietti
La valvola non effettua il cambio di circuito	Al rotore non arriva una sufficiente portata d'acqua	Verificare che l'installazione sia quella adeguata secondo le specifiche contenute in questo manuale. Scegliere una maggiore configurazione d'uscita negli erogatori o cambiare la pompa con una di maggiore portata.
	Il rotore o il meccanismo interno sono bloccati	Smontare la valvola e pulire l'insieme della placca base fino a poter girare gli ingranaggi con la mano. Posizionare nuovamente i coperchietti in maniera corretta.
La valvola gocciola all'altezza del punto d'unione	La ghiera è lenta	Stringere con forza la ghiera
	La giunta e il suo alloggiamento sono sporchi	Pulire e montare di nuovo
	Eccesso di pressione nella valvola	Scegliere un foro d'uscita più grande per gli erogatori o cambiare la pompa con una con una minore pressione, in maniera da ottenere un punto di lavoro in linea con le specifiche di questo manuale.

WICHTIG: Das Handbuch mit den Betriebsanleitungen, das Sie in Händen halten, enthält wichtige Information über die anzuwendenden Sicherheitsmaßnahmen für die Installation und Inbetriebnahme. Es ist daher unerlässlich, daß die Anweisungen vom Installateur und vom Benutzer vor der Montage und Inbetriebnahme aufmerksam durchgelesen werden.

Bewahren Sie dieses Handbuch auf, falls Sie zu einem späteren Zeitpunkt Informationen über die Funktion dieses Apparates nachschlagen

Um die beste Leistung des flachen VERTEILVENTIL NET 'N' CLEAN Ø 63, zu erzielen, empfiehlt es sich, die nachfolgenden anweisungen zu befolgen:

1. SICHERHEITSHINWEISE

1. Es empfiehlt sich, den NET 'N' CLEAN anzuschalten, wenn niemand den Swimmingpool benutzt.
2. Keine Allzweck-Fette oder Silikone mit den Produkten und dem Zubehör verwenden.
3. Das Gerät niemals ohne Wasser laufen lassen.
4. Stets die Stromzufuhr der Pumpe unterbrechen, wenn Sie am Ventil arbeiten.
5. Kinder oder Erwachsene dürfen sich nicht auf die Anlage setzen.
6. Das Ventil nicht direkt an das Wassernetz (Trinkwasserleitung) anschließen, da der Wasserdruck sehr hoch und den maximalen für dieses Ventil zugelassenen Betriebsdruck übersteigen kann.
7. Die Filteranlage nicht zum Auffüllen und Einstellen des Wasserstands im Schwimmbecken verwenden. Ein Fehler in der Handhabung kann Überdruck im Ventil verursachen.
8. Da alle Verbindungen mit Dichtungen versehen werden, abgesehen von den Schrauben des Spannrings, Muttern nicht zu fest anziehen, um ein Brechen der verschiedenen Kunststoffteile zu vermeiden.
9. Kein Teflon am Manometer-Kit verwenden um die Dichtheit zu gewährleisten.

Dieses Gerät darf nicht von Kindern, Personen mit eingeschränkten körperlichen, sensorischen oder geistigen Fähigkeiten, oder Personen mit Mangel an der erforderlichen Erfahrung und Wissen benutzt werden, es sei denn, sie erhalten Beaufsichtigung oder Anleitung hinsichtlich der Benutzung des Geräts durch eine für ihre Sicherheit verantwortliche Person.



Verhindern Sie zur Vermeidung von Verletzungsgefahren, dass sich Kinder in der Nähe des Produkts aufhalten oder dieses benutzen.



Systeme für die Wasserzirkulation von Spas und Schwimmbädern stehen beim Starten, während des Betriebs und vorübergehend nach Anhalten der Pumpe unter Druck.

Dieser Systemdruck kann zu einer abrupten Ablösung von Komponenten des oberen Ventilkörpers führen, wenn die Sicherheits- und Betriebshinweise nicht beachtet werden. Dieser Bruch bzw. Ablösung von Komponenten kann Sach- und Personenschäden verursachen, die zu schweren Verletzungen bis hin zum Tod führen können.



Die Installation sowie die Wartungs- und Reparaturarbeiten an diesem Produkt dürfen ausschließlich von qualifizierten Fachkräften ausgeführt werden.

ZUR VERMEIDUNG DER ABLÖSUNG VON KOMPONENTEN:

- Das System NET 'N' CLEAN nicht benutzen, wenn eine Komponente fehlt, beschädigt und/oder nicht korrekt montiert ist und/oder ein Teil verwendet wurde, das kein Originalteil von ASTRALPOOL ist.
- Verwenden Sie AUSSCHLIESSLICH Komponenten des Befestigungssystems von ASTRALPOOL. Die Komponenten anderer Marken könnten während des Betriebs versagen, Schäden verursachen und stellen eine Gefahr für die körperliche Unversehrtheit von Personen dar.
- Vor der Ausführung jeglicher Wartungsarbeiten am System NET 'N' CLEAN müssen Sie sicherstellen, dass alle Steuerungen des Systems und der Pumpe in OFF-Position (ausgeschaltet) sind und der Stopfen der Entlüftung, der sich am Manometer befindet, geöffnet ist.
- SPANNRING (Befestigungssystem) - Die Befestigungsschrauben des Spannrings so fest wie möglich von Hand anziehen, der Abstand zwischen den Spannelementen muss 1 cm betragen.
- Stellen Sie vor Inbetriebnahme der Pumpe des Systems sicher:
 - Dass alle Ventile des Systems so gestellt sind, dass der Rücklauf des Wassers aus dem Filter ins Schwimmbecken möglich ist.
 - Dass der Entlüftungsstopfen des Manometers komplett geöffnet ist.
- Wenn Sie die Pumpe in Betrieb setzen, nicht in der Nähe des Ventils aufhalten.
- Sollte Wasser im Bereich der Ventilebefestigung austreten, unverzüglich die Stromzufuhr aller Umwälzpumpen unterbrechen und das System von der Stromversorgung trennen. Nähern Sie sich nicht dem Ventil, bevor der Wasserdurchfluss nicht vollständig zum Stillstand gekommen ist. Montieren Sie das Befestigungssystem entsprechend den Anweisungen in der Bedienungsanleitung erneut, um den Wasseraustritt zu stoppen.

- Den Entlüftungsstopfen des Manometers erneut schließen, nachdem Sie sichergestellt haben, dass nur noch ein konstanter Wasserstrahl austritt (weder Luft noch ein Luft-Wasser-Gemisch).
- Das Steuerventil des Filters weder handhaben noch dessen Stellung verändern, wenn die Pumpe des Systems in Betrieb ist.



Ein Druck, der über dem (in dieser Betriebsanleitung festgelegten) maximalen Betriebsdruck des Filters und Pumpensystems liegt, kann eine abrupten Ablösung von Komponenten verursachen, durch die Sachschäden entstehen und die zu schweren Verletzungen bis hin zum Tod führen können.

2. ÜBERPRÜFEN SIE DEN INHALT DER VERPACKUNG

Im Inneren der Kiste finden Sie folgende Artikel:

- Verteilventil.
- T Manometer mit Dichtung
- Manometer 3 bar/psi
- Rolle Teflonband
- Montage- und Instandhaltungshandbuch

3. ALLGEMEINE ANGABEN

Das VERTEILVENTIL NET 'N' CLEAN gehört zum gleichnamigen System, das der integrierten Reinigung von Schwimmbeckenböden dient. Das Ventil verteilt auf fortlaufende Weise den Wasserfluss auf die verschiedenen Auslässe, damit Wasser in die Düsen auf dem Boden des Schwimmbeckens gelangt. Diese Düsen lassen unter Druck Wasser zum Reinigen des Beckenbodens ab.

Die Verteilung erfolgt durch eine Turbine und eine Reihe von Zahnrädern, die auf einer Grundplatte verankert sind und die Deckel hintereinander gegen den Uhrzeigersinn öffnen.

Der Hauptvorteil des Systems ist es, dass die Temperatur und die chemischen Produkte gleichmäßiger im Becken verteilt werden und dass keine aufwendige Installation für die Reinigung notwendig ist.

Obwohl die Reinigung des Schwimmbeckens relativ automatisch erfolgt, müssen doch noch einige Operationen wie das Bürsten des Schwimmbeckens von Hand durchgeführt werden.

An der Basis des Ventils befinden sich 7 Anschlüsse. Der zentrale Anschluss ist der Einlass und die anderen 6 sind Auslässe. Ø63 - Ø75 im Falle des europäischen Modells und Ø2" - Ø2" ½ im Falle des Modells für die USA und Australien.

Hauptvorteile des Systems:

- Alle Anschlüsse befinden sich an der Ventilbasis
- Es ist kein elektrischer Apparat für den Betrieb notwendig
- Einfache Montage und Demontage der Abdeckung mit einer Zwinge
- Alle Metallteile sind gegen sämtliche Behandlungen des Wassers im Swimmingpool sehr resistent

4. MONTAGE UND AUFSTELLUNG

Für den optimalen Betrieb des Reinigungssystems NET 'N' CLEAN wird empfohlen, eine unabhängige Pumpe mit Vorfilter zu benutzen (Abb. 1).

Der Betrieb der Pumpe des Net'N'Clean-Systems muss innerhalb der Filterstunden eingestellt werden. Die Anzahl der Betriebsstunden des Net'N'Clean-Systems kann stark variieren. Es wird empfohlen, mit 4 Stunden täglich zu beginnen und die Stundenzahl allmählich anzupassen, bis eine optimale Beckenreinigung erzielt wird.

Das Verteilventil sollte so nahe wie möglich am Becken installiert werden, um kurze Rohre verwenden zu können. Wie bei jeder Schwimmbadausrüstung können Wartungsmaßnahmen erforderlich sein. Daher wird dringend empfohlen, Isolierventile an allen Ein- und Auslässen des Kopfteils zu installieren.

Wenn direkt im Schwimmbadbecken angesaugt wird, darf nie eine einzige Ansaugstelle installiert werden, da dies entsprechende Risiken mit sich bringt. Es sollten mindestens 2 Ansaugstellen an der vertikalen Wand mit einem Abstand von über 2 m voneinander und mit mehr als 20 cm vom Boden installiert werden.

Die Düsen müssen auf dem Beckenboden und ggf. an der Treppe verteilt werden, wobei zu beachten ist, dass der Aktionsradius der Düse 1,8 m beträgt. An den Wänden muss ein Abstand von 0,8 m eingehalten werden.

Die Leitungen müssen kompensiert sein. Wenn in bestimmten Fällen die Anzahl der Düsen erhöht werden muss (z. B. an den Treppen), können die verschiedenen Düsenkonfigurationen (S1, S2, S3, S4) kombiniert werden.

Auf der obersten Treppenstufe wird die Konfiguration S1 der Düse empfohlen, um Spritzer zu vermeiden (Abb. 3)

Falls nicht alle Ausgänge des Ventils benötigt werden, sollte man nie einen der Ausgänge schließen, da dann das Ventil nicht mehr funktionieren würde, in diesem Fall muss man 2 oder mehr Ausgänge miteinander verbinden, um eine einzige Leitung zu speisen.

Falls für die Installation mehr als 6 Ausgänge notwendig sind 2 parallele Stromkreise mit 2 Pumpen zu installieren (Abb. 2).

Wahl der Pumpe

Für den optimalen Betrieb des Systems ist die korrekte Konfiguration der Düsen und die Montage einer geeigneten Pumpe sehr wichtig.

Um eine Pumpe zu wählen, muss man die notwendige Durchflussmenge für jede Düse und den Druckverlust der Installation kennen.

In der folgenden Tabelle sind die optimalen Durchflussmengen für jede Konfiguration der Auslässe der Düse angegeben, um eine korrekte Funktion des Systems zu erreichen.

Auslass	Kombination	Durchflussmenge x Düse m ³ /h	Länge der Reinigung in m.	Oberfläche am Auslass mm ²
S1	B+D	2	0,50	50
S2	A+D	3	1,00	100
S3	B+C	4	1,50	150
S4	A+C	5	1,80	200

Das Endergebnis muss die Spezifikationen für die Funktion des Ventils erfüllen, die in der folgenden Tabelle angegeben sind.

	Minimum	Maximum
Optimale Durchflussmenge (m³/h)	8	25
Innendruck Ventil (bar)	0,5	1,5

Für die allgemeine Anwendung können wir der folgenden Tabelle benutzen.

Düsen pro Leitung	Anordnung Düse	Durchflussmenge (m ³ /h)		Aktionsradius	Druckverlust (mca)			
		Düse	Installation		Düse	Ventil	Übrige Installation	Gesamt
2	S4	5	10	1,8	6,5	1,3	4 *	11,8
3	S4	5	15	1,8	6,5	1,8	4 *	12,3
4	S4	5	20	1,8	6,5	3,0	4 *	13,5
5	S4	5	25	1,8	6,5	4,2	4 *	14,7

Düsen pro Leitung	Anordnung Düse	Rohrleitung			Saugnippel			
		Ansaugung	Antrieb	Minimale Oberfläche mm ²	Swimmingpools aus Beton		Vorgefertigte Swimmingpools	
					Menge	Modell	Menge	Modell
2	S4	63	50	6.700	2	41520	2	41518
3	S4	75	63	9.000	3	41520	3	41518
4	S4	90	75	11.200	4	41520	1	22417
5	S4	90	75	13.900	1	28707	1	22418

* Orientative Werte Nur als Beispiel für Schwimmbecken mit einer einfachen Installation und mit dem Verteilventil in der Nähe des Beckens geeignet. Es wird empfohlen, diesen Wert für jede Installation zu berechnen.

Montage des Ventil

Die Rohre werden mit PVC-Kleber angeleimt, versuchend nicht zu verschmutzen die Mechanismen innere und wobei das Ventil nivelliert sein muss.

Die mit dem Ventil verleimten Rohre haben einen Durchmesser von 63 oder von 75 (Modell 35079) entsprechend dem Durchflussmenge von der Installation oder 2" oder 2" ½ (Modell 33354, 60319).

24 Stunden nach dem Verleimen wird der Druck in der gesamten Installation überprüft. Vor der Überprüfung des Drucks müssen die Deckel entfernt werden, die die Ausgänge verschließen.

Das Ventil dreht **im Gegenuhrzeigersinn**, von oben gesehen.

5. INBETRIEBNAHME

Bevor Sie Druck auf das Ventil geben, führen Sie folgende Schritte durch:

Lockern Sie die Mutter an der Schelle, so dass Sie die Schelle des Ventils abnehmen und die Abdeckung nach oben ziehen können.

Überprüfen Sie, ob die Deckel sich in der korrekten Position befinden und öffnen Sie mindestens 2. (Siehe Abb. 4)

Montieren Sie die Abdeckung wieder mit der dazugehörigen Schelle.

Montieren Sie das T-Stück des Druckmessers und schrauben Sie den Druckmesser mit Teflon fest.

Sobald die Pumpe in Gang gesetzt wurde, die Entlüftungsöffnung öffnen, um die Luft aus dem Inneren des Ventils abzulassen.

6. FUNKTIONSWEISE

Um die korrekte Funktion der gesamten Installation zu überprüfen, muss das Manometer im Verteilventil einen Wert zwischen 0,5 und 1,5 bar anzeigen, und wenn die Leitung gewechselt wird, muss der Druck heruntergehen.

Die ideale Durchflussmenge im Betrieb liegt zwischen 8 und 25 m³/h.

Die Funktionsdauer hängt von der Durchflussmenge und der Anzahl der Düsen pro Leitung ab, eine gesamte Umdrehung kann zwischen 1' 50" y 3' 30" schwanken.

7. INSTANDHALTUNG

Einmal im Jahr sollte das Ventil gewartet werden, am besten zu Beginn der Badesaison. Das Innere des Ventils muss gründlich gereinigt und Kalkablagerungen müssen beseitigt werden. Überprüfen Sie, dass bei der Überwinterung kein Wasser im Inneren des Ventils bleibt. Dieses Wasser könnte einfrieren und so den Mechanismus beschädigen.

Zur Reinigung des Ventils oder für den Austausch von Komponenten befolgen Sie die folgenden **Schritte zur Demontage**:

7.1.- Abnehmen der Abdeckung

Die Mutter der Zwinge lockern, bis man die Zwinge von dem Ventil abnehmen kann und die Abdeckung nach oben ziehen können.

7.2.- Demontage der Grundplatte

Sobald die Abdeckung abgenommen ist, liegen die Grundplatte und ihre Achsen, Zahnräder und Laufrad offen. Um Anschlüsse aus dem Körper zu nehmen, nehmen Sie einfach mit einem kleinen Schraubenzieher den Stift der zentralen Achse heraus und ziehen Sie die Grundplatte nach oben.

Nach dem Abnehmen der Grundplatte liegt die Turbine frei, ziehen Sie sie nach oben.

7.3.- Abnehmen der Deckel

Nehmen Sie die Deckel nur ab, wenn sie sich in einem sehr schlechten Zustand befinden. In die offene Position stellen und einen großen Schraubenzieher zwischen den Öffnungen einführen, dann im Gegenuhrzeigersinn die Hebelwirkung des Schraubenziehers ausnutzen, um die Bajonettbefestigung zu lösen.

Um die **Deckel wieder zu montieren**, führen Sie die gleichen Schritte in umgekehrter Richtung

8. MÖGLICHE STÖRUNGEN

In diesem Absatz werden nur Störungen behandelt, die an dem System NET 'N' CLEAN aufgrund einer Fehlfunktion des Verteilventils auftreten könnten.

PROBLEM	MÖGLICHE URSACHE	LÖSUNG
Die Düsen von mehr als einem Kreislauf sind angehoben	Abnutzung der Deckel	Deckel austauschen
Das Ventil wechselt den Kreislauf nicht	Das Laufrad erhält nicht genügend Durchflussmenge an Wasser	Überprüfen, ob es sich laut der Angaben in diesem Handbuch um die geeignete Installation handelt. Eine größere Konfiguration für den Auslass der Düsen wählen oder die Pumpe gegen eine Pumpe mit einer höheren Durchflussmenge austauschen
	Das Laufrad oder der innere Mechanismus sind in Betrieb	Das Ventil abmontieren und die Grundplatte reinigen, so dass man die Zahnräder von Hand drehen kann. Die Deckel wieder korrekt anbringen
Das Ventil tropft an der Verbindungsstelle	Die Zwinge sitzt nicht fest	Die Zwinge fest anziehen
	Die Dichtung und die Aufnahme sind schmutzig	Reinigen und wieder montieren
	Zuviel Druck auf dem Ventil	Eine größere Auslassöffnung an den Düsen wählen oder die Pumpe gegen eine Pumpe mit weniger Druck austauschen, um eine Arbeitsposition zu erreichen, die mit den Angaben in diesem Handbuch übereinstimmt

IMPORTANTE: O manual de instruções que você tem nas mãos contém informação fundamental sobre as medidas de segurança a tomar ao realizar a instalação e a colocação em funcionamento. Por isso, é imprescindível que tanto o instalador como o utilizador leiam as instruções antes de realizar a montagem e a colocação em funcionamento. Guarde este manual para futuras consultas sobre o funcionamento deste aparelho.

Para conseguir um ótimo rendimento do VÁLVULA DISTRIBUIDORA NET 'N' CLEAN Ø 63, é conveniente observar as instruções que se indicam abaixo:

1. ADVERTÊNCIAS DE SEGURANÇA

1. É recomendável que se ligue o NET 'N' CLEAN quando não haja banhistas na piscina.
2. Não utilize massas lubrificantes nem silicones de uso universal nos produtos ou acessórios.
3. Nunca ponha o equipamento em funcionamento sem água.
4. Sempre que tiver de manipular a válvula, desligue a bomba da tomada elétrica.
5. Não permita que crianças ou adultos se sentem em cima do equipamento.
6. Não ligar diretamente a válvula à rede de água, já que a pressão da mesma pode ser muito elevada e exceder a pressão máxima de funcionamento da mesma.
7. Não utilizar o circuito de filtração para o enchimento e a regulação do nível de água da piscina. Um erro de manipulação pode produzir uma pressão excessiva na válvula.
8. Devido ao facto de todas as uniões serem feitas com juntas, exceto os parafusos da abraçadeira, não aperte excessivamente as porcas a fim de evitar a rotura dos componentes de plástico.
9. Não utilizar teflon na peça do kit de manómetro para garantir a estanquidade.

Este aparelho não é indicado para ser utilizado por crianças, pessoas com deficiências físicas, sensoriais ou intelectuais, nem por pessoas sem experiência ou sem os conhecimentos necessários, salvo se estiverem supervisionados por uma pessoa responsável pela sua segurança ou caso lhes tenham sido dadas as instruções pertinentes para a utilização do aparelho.



Para evitar riscos de lesões, impeça que as crianças usem ou estejam perto deste produto.



Os sistemas de circulação de água de balneários e piscinas funcionam com pressão no arranque, durante o funcionamento e temporariamente uma vez desligada a bomba.

A referida pressão no sistema pode provocar uma separação repentina dos componentes do corpo superior da válvula, caso não se respeitem as instruções de segurança e utilização. Essa rotura ou separação de componentes pode causar danos materiais e danos pessoais, podendo causar lesões graves ou inclusive a morte.



A instalação e as operações de manutenção e reparação deste produto devem ser realizadas exclusivamente por pessoal qualificado.

PARA EVITAR A SEPARAÇÃO DE COMPONENTES:

- Não utilize o sistema NET 'N' CLEAN se faltar algum componente, ou se este estiver danificado e/ou montado incorretamente, ou se houver alguma peça que não for original ASTRALPOOL.
 - Utilize EXCLUSIVAMENTE componentes do sistema de fixação ASTRALPOOL. Os componentes de outras marcas poderiam avariar-se durante a utilização, causar danos e provocar um risco para a integridade física das pessoas.
 - Antes de levar a cabo qualquer operação de manutenção no sistema NET 'N' CLEAN, assegure-se de que todos os controlos do sistema e a bomba estão na posição OFF (desligado) e a tampa de purga de ar situada no manómetro está aberta.
 - ABRAÇADEIRA (sistema de fixação) - Aperte os parafusos de fixação da abraçadeira à mão o máximo possível. Deve fazer uma separação entre os elementos da abraçadeira de 1 cm.
 - Antes de pôr a bomba do sistema a funcionar, assegure-se de que:
 - Todas as válvulas do sistema estão numa posição que permita o retorno da água do filtro para a piscina.
 - A tampa de purga de ar do manómetro está completamente aberta.
 - Quando puser a bomba a funcionar, não permaneça nas proximidades da válvula.
- Se se produzir uma fuga de água na zona de fixação da válvula, desligue imediatamente todas as bombas de circulação e o fornecimento elétrico do sistema. Não se aproxime da válvula enquanto o fluxo de água não tiver parado completamente. Coloque novamente o sistema de fixação de acordo com as instruções do manual do utilizador para parar a fuga.
- Volte a fechar a tampa de purga do manómetro depois de se ter assegurado de que só sai um jato de água constante (não há ar nem uma mistura de ar e água).
 - Não manipule nem mude a posição da válvula de controlo de filtro com a bomba do sistema a funcionar.



Uma pressão superior à pressão máxima de trabalho (definida neste manual) no sistema NET 'N' CLEAN pode provocar uma separação repentina dos componentes, o que poderia dar origem a danos materiais, causar lesões graves ou inclusive a morte.

2. VERIFIQUE O CONTEÚDO DA EMBALAGEM

No interior da caixa encontrará os seguintes elementos:

- Válvula distribuidora
- Te manômetro com junta
- Manômetro 3 bar-psi
- Rolo de fita teflon
- Manual de instalação e manutenção

3. CARACTERÍSTICAS GERAIS

A VÁLVULA DISTRIBUIDORA NET 'N' CLEAN faz parte do sistema do mesmo nome destinado à limpeza integrada do fundo da piscina. A válvula tem a função de distribuir o fluxo de água de forma seqüencial pelas diferentes saídas para que chegue às bocas situadas no fundo da piscina. As bocas projetam a água sob pressão para a limpeza da piscina.

A distribuição consegue-se através de uma turbina e de uma série de engrenagens fixadas à placa base que se encarrega de abrir e fechar no sentido anti-horário as tampas de forma seqüencial.

Entre as suas principais vantagens, podemos destacar a obtenção de uma distribuição mais homogênea da temperatura e dos produtos químicos na piscina e a eliminação de montagens complexas para realizar a limpeza.

Embora este sistema automatize em grande medida a limpeza da piscina, não elimina totalmente operações manuais tais como a escovagem da piscina.

A válvula dispõe de 7 ligações na base, sendo a ligação central a de entrada e as outras 6 ligações as de saída; Ø63 - Ø75 para a versão europeia e Ø2" - Ø2" ½ para as versões de USA e AUSTRÁLIA.

Principais vantagens que apresenta:

- Todas as ligações estão situadas na base.
- Não necessita de nenhum dispositivo elétrico para o seu funcionamento.
- Fácil montagem e desmontagem da cobertura através do anel.
- Todas as peças metálicas são resistentes aos diversos tratamentos aplicados na água da piscina.

4. INSTALAÇÃO

Para o rendimento ótimo do sistema de limpeza NET 'N' CLEAN, é recomendável utilizar uma bomba independente com pré-filtro (*Fig. 1*)

É preciso temporizar o funcionamento da bomba do sistema Net'N'Clean dentro das horas de filtração. O número de horas de funcionamento do sistema Net'N'Clean pode variar muito. Por isso, recomenda-se começar com 4 horas por dia e ajustar paulatinamente o número de horas até conseguir uma limpeza ótima da piscina.

Recomenda-se instalar a válvula de distribuição o mais próximo possível da piscina para, assim, reduzir o comprimento das canalizações utilizadas. Como qualquer equipamento de piscina pode necessitar de manutenção, recomenda-se mormente instalar válvulas de fecho em todas as entradas e saídas do cabeçote.

Caso a aspiração seja direta ao tanque da piscina, nunca se deve instalar uma única tomada de aspiração, tendo em conta o perigo que isto supõe. Instalar, pelo menos, 2 tomadas de aspiração na parede vertical com uma separação maior que 2 m e a uma distância maior que 20 cm do fundo.

As bocas devem estar distribuídas no fundo da piscina e na escada, caso se tenha tido em conta que o raio de ação de cada boca é de 1,8 m. Nas paredes, é preciso deixar uma distância de 0,8 m.

Os ramais devem estar compensados. Caso seja necessário aumentar o número de bocas em algum ramal (por exemplo, nas escadas), combinar-se-ão as diferentes configurações da boca (S1, S2, S3, S4).

Para o degrau superior da escada, recomenda-se optar pela configuração S1 da boca com a finalidade de evitar salpicos (*Fig. 3*).

Se não for necessário utilizar todas as saídas da válvula, não tampe nenhuma saída já que a válvula deixaria de funcionar, neste caso, deverá unir 2 ou mais saídas de forma a alimentar um único ramal.

Se a instalação exigir mais de 6 saídas instalar 2 circuitos paralelos com 2 bombas (*Fig. 2*).

Seleção da bomba

Para o funcionamento ótimo do sistema é muito importante realizar uma configuração correta das bocas e instalar uma bomba adequada.

Para escolher a bomba adequada, é necessário conhecer o caudal necessário para cada boca e as perdas de carga da instalação.

A tabela abaixo apresenta os caudais ideais para cada configuração de saída da boca de forma a conseguir um bom funcionamento do sistema.

Saída	Combinação	Caudal x boca m ³ /h	Comprimento de limpeza em m	Superfície de saída mm ²
S1	B+D	2	0,50	50
S2	A+D	3	1,00	100
S3	B+C	4	1,50	150
S4	A+C	5	1,80	200

O resultado final deve cumprir as especificações de trabalho da válvula especificadas na tabela abaixo.

	Mínimo	Máximo
Caudal ótimo (m³/h)	8	25
Pressão interior válvula (bar)	0,5	1,5

Para uso geral podemos utilizar na tabela abaixo:

Bocas por ramal	Configuração boca	Caudal m ³ /h		Raio de ação	Perda carga (mca)			
		Boca	Instalação		Boca	Válvula	Resto instalação	Total
2	S4	5	10	1,8	6,5	1,3	4 *	11,8
3	S4	5	15	1,8	6,5	1,8	4 *	12,3
4	S4	5	20	1,8	6,5	3,0	4 *	13,5
5	S4	5	25	1,8	6,5	4,2	4 *	14,7

Bocas por ramal	Configuração boca	Tubulação		Superfície mínimo mm ²	Aberturas de aspiração			
		Aspiração	Impulsão		Pisc. Betão		Pisc. Pré-fabricada	
					Quantidade	Modelo	Quantidade	Modelo
2	S4	63	50	6.700	2	41520	2	41518
3	S4	75	63	9.000	3	41520	3	41518
4	S4	90	75	11.200	4	41520	1	22417
5	S4	90	75	13.900	1	28707	1	22418

* Valores exemplificativos. Utilizar como exemplo só para piscinas com instalação pouco complexa e com a válvula distribuidora perto da piscina. É recomendável calcular este valor em cada instalação.

Montar a válvula

Cole os tubos com cola para PVC procurando não sujar os mecanismos interiores que a válvula fique nivelada.

Os tubos a colar na válvula deverão ser de Ø63 ou Ø75 (modelo 35079) depende do caudal da instalação ou de 2" ou 2" ½ (modelo 33354, 60319).

Depois de efetuar a colagem, espere 24 horas antes de efetuar o teste de pressão em toda a instalação. Antes de realizar o teste de pressão, retire as tampas que fecham as saídas.

A válvula **roda no sentido contrário ao dos ponteiros do relógio** vista de cima.

5. COLOCAÇÃO EM FUNCIONAMENTO

Antes de fornecer pressão à válvula, realize as seguintes operações:

Desaperte a porca do anel até conseguir retirá-lo da válvula e, depois, puxe a cobertura para cima.

Verifique se as tampas estão perfeitamente posicionadas e abra no mínimo 2. (ver fig. 4)

Volte a montar a cobertura com o respectivo anel.

Monte o "T" do manômetro e enrosque o manômetro com fita teflon.

Depois de colocar a bomba em funcionamento, abra a purga para que o ar do interior da válvula possa sair.

6. FUNCIONAMENTO

Para verificar se tudo funciona corretamente, o manômetro integrado na válvula distribuidora deve indicar entre 0,5 e 1,5 bar, e ao efetuar a mudança de ramal a pressão desce.

O caudal ótimo de trabalho oscila entre 8 e 25 m³/h.

O tempo de atuação dependerá do caudal e do número de bocas por ramal, uma volta completa pode oscilar entre 1' 50" e 3' 30"

7. MANUTENÇÃO

Uma vez por ano é necessário efetuar a manutenção da válvula, geralmente no início da temporada de banho. É importante limpar bem o interior da válvula, eliminando os restos de cal que possam ter precipitado. Durante o período de Inverno, devemos assegurar-nos de que não há água acumulada no interior da válvula, já que em caso de congelação poderá danificar o seu mecanismo.

Para proceder à limpeza da válvula ou para substituir algum dos componentes, realize o seguinte **processo de desmontagem**:

7.1.- Retirar a cobertura

Desperte a porca até conseguir separar o anel da válvula e, depois, puxe a cobertura para cima.

7.2.- Retirar a placa base

Ao retirar a cobertura, poderá ver todo o conjunto da placa base com os respectivos eixos, engrenagens e rotor. Para separar a placa base do corpo ligações, simplesmente retire o pino do eixo central, utilizando uma chave de parafusos pequena, e puxe a placa base para cima.

Ao retirar a placa base poderá ver a turbina, puxe-a para cima.

7.3.- Retirar as tampas

Só deverá retirar as tampas se estiverem muito deterioradas. Coloque-as na posição aberta e, introduzindo uma chave de parafusos entre os orifícios, faça alavanca com força no sentido contrário ao dos ponteiros do relógio para retirar a baioneta.

O **processo de montagem** deve ser realizado do modo inverso ao descrito.

7. POSSÍVEIS AVARIAS

Este capítulo somente descreve as possíveis avarias do sistema NET 'N' CLEAN derivadas do funcionamento incorreto da válvula distribuidora.

PROBLEMA	POSSÍVEL CAUSA	SOLUÇÃO
As bocas de mais de um circuito permanecem levantadas	Desgaste das tampas	Substitua as tampas
A válvula não efectua a mudança de circuito	A roda não recebe o suficiente caudal de água	Verifique se a instalação é a adequada de acordo com as especificações deste manual. Seleccione uma configuração de saída maior nas bocas ou substitua a bomba por outra de caudal superior.
	A roda ou o mecanismo interior estão travados	Desmonte a válvula e limpe o conjunto placa base até poder rodar as engrenagens com a mão. Volte a posicionar as tampas correctamente.
A válvula goteja através da união	O anel está solto	Aperte bem o anel
	A junta e o respectivo alojamento estão sujos	Limpe e volte a montar a junta
	Excesso de pressão na válvula	Seleccione um orifício de saída maior nas bocas ou substitua a bomba por outra com menor pressão, para obter um ponto de trabalho de acordo com a especificação deste manual.

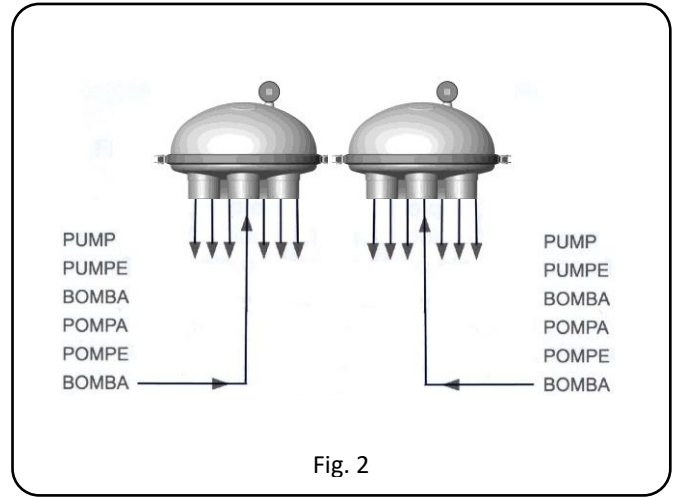
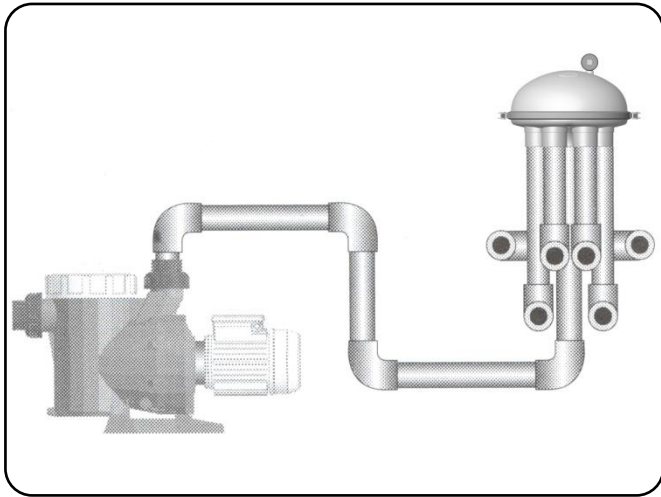


Fig. 2

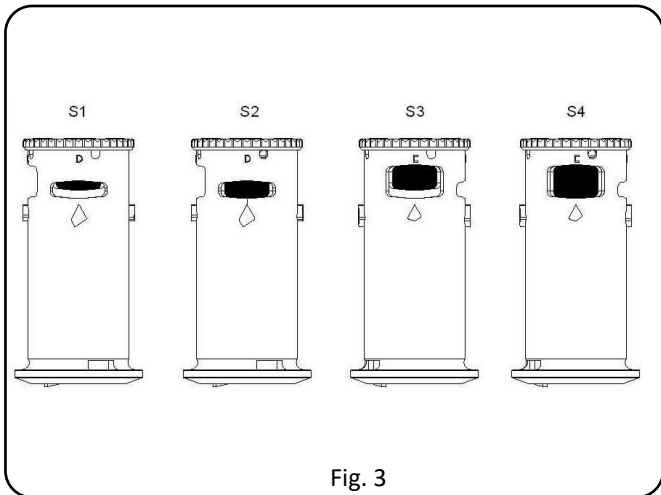


Fig. 3

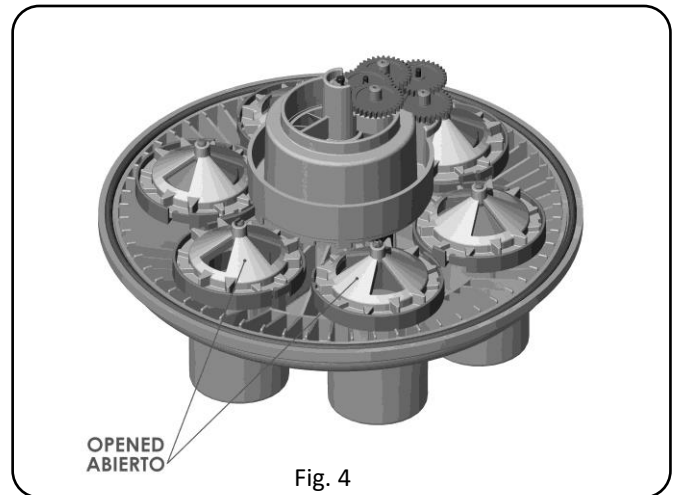


Fig. 4

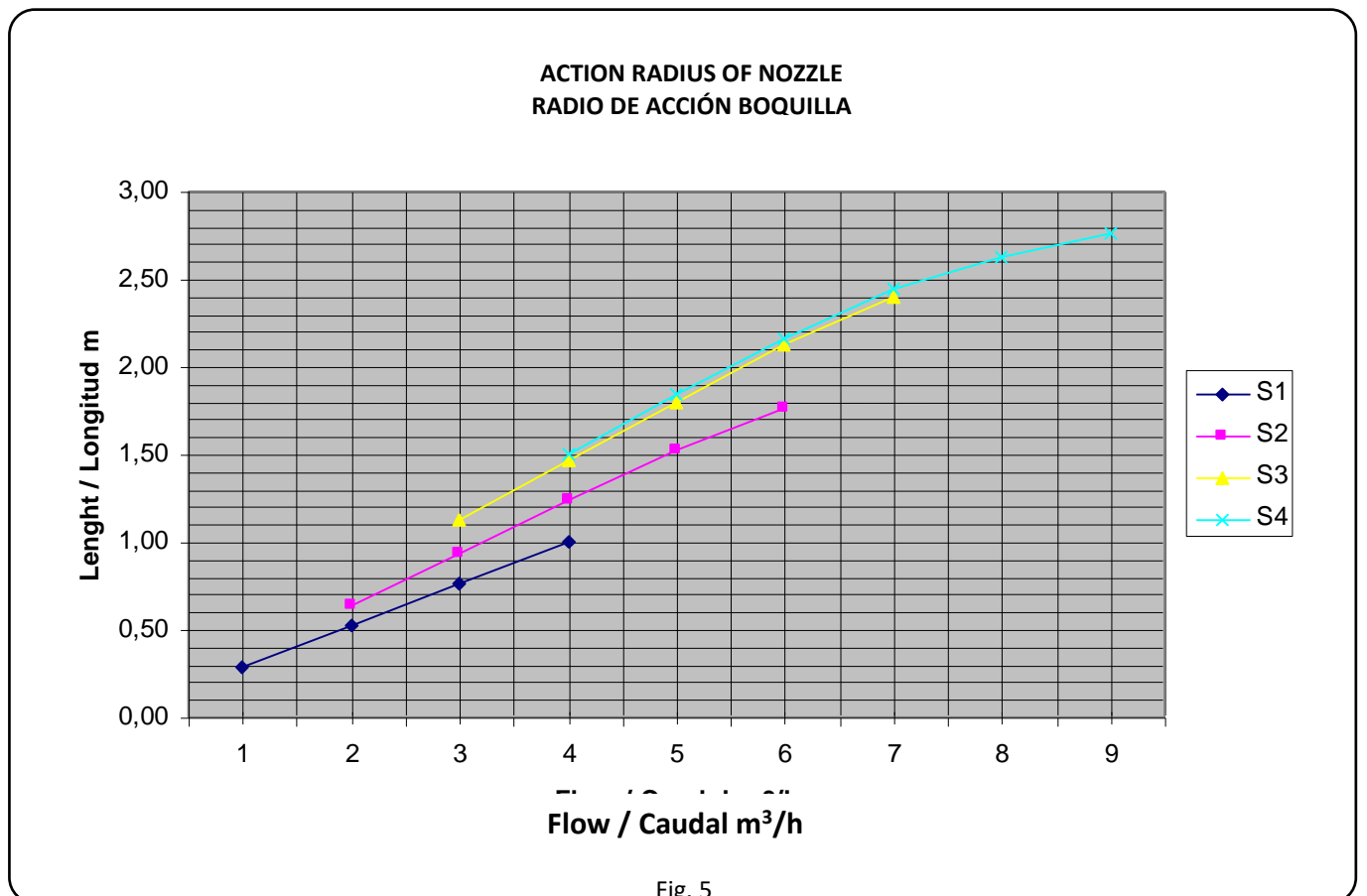


Fig. 5

**PRESSURE DROP NOZZLE
PERDIDA CARGA BOQUILLA**

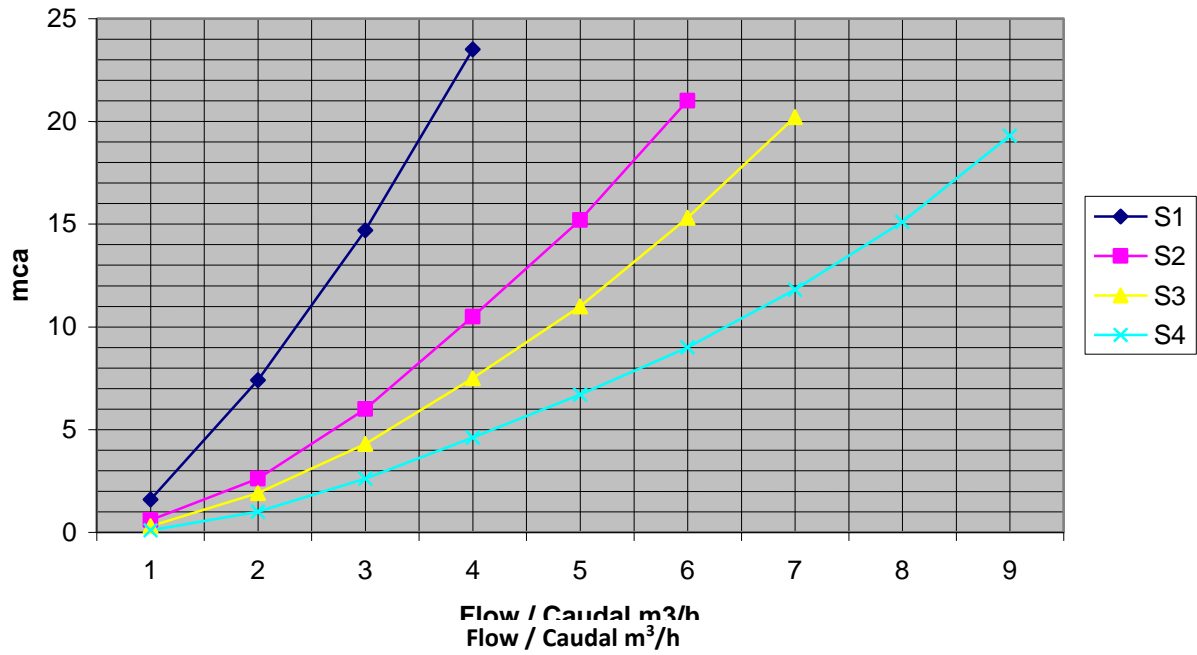


Fig. 6

**PRESSURE DROP VALVE Ø 63
PERDIDA CARGA VALVULA Ø 63**

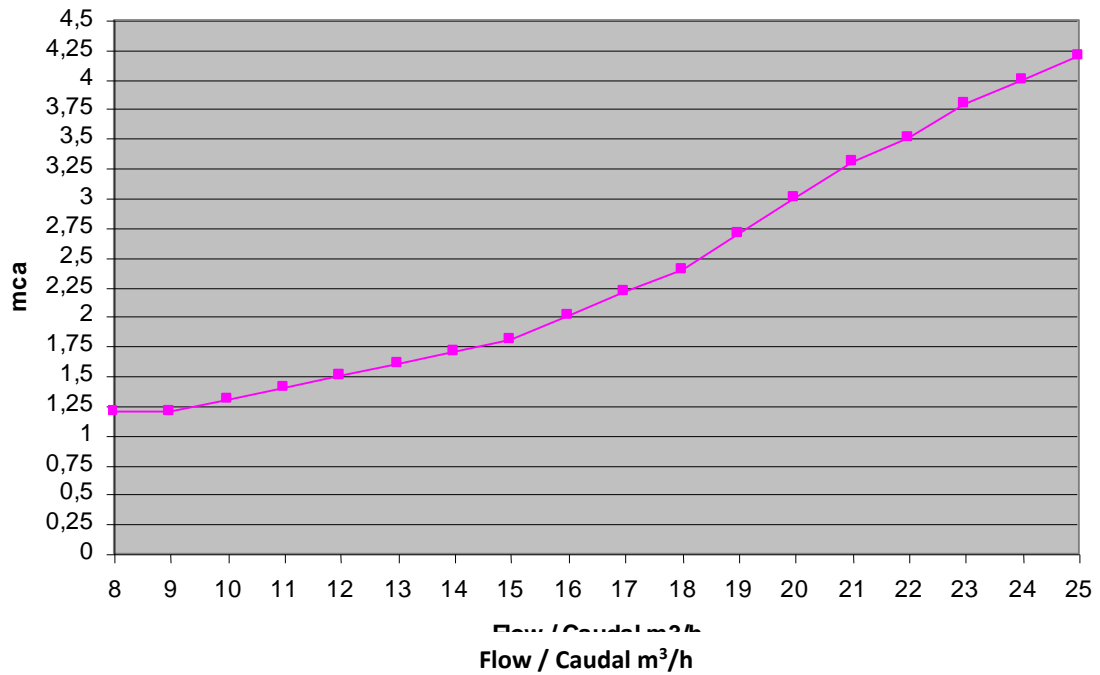


Fig. 7

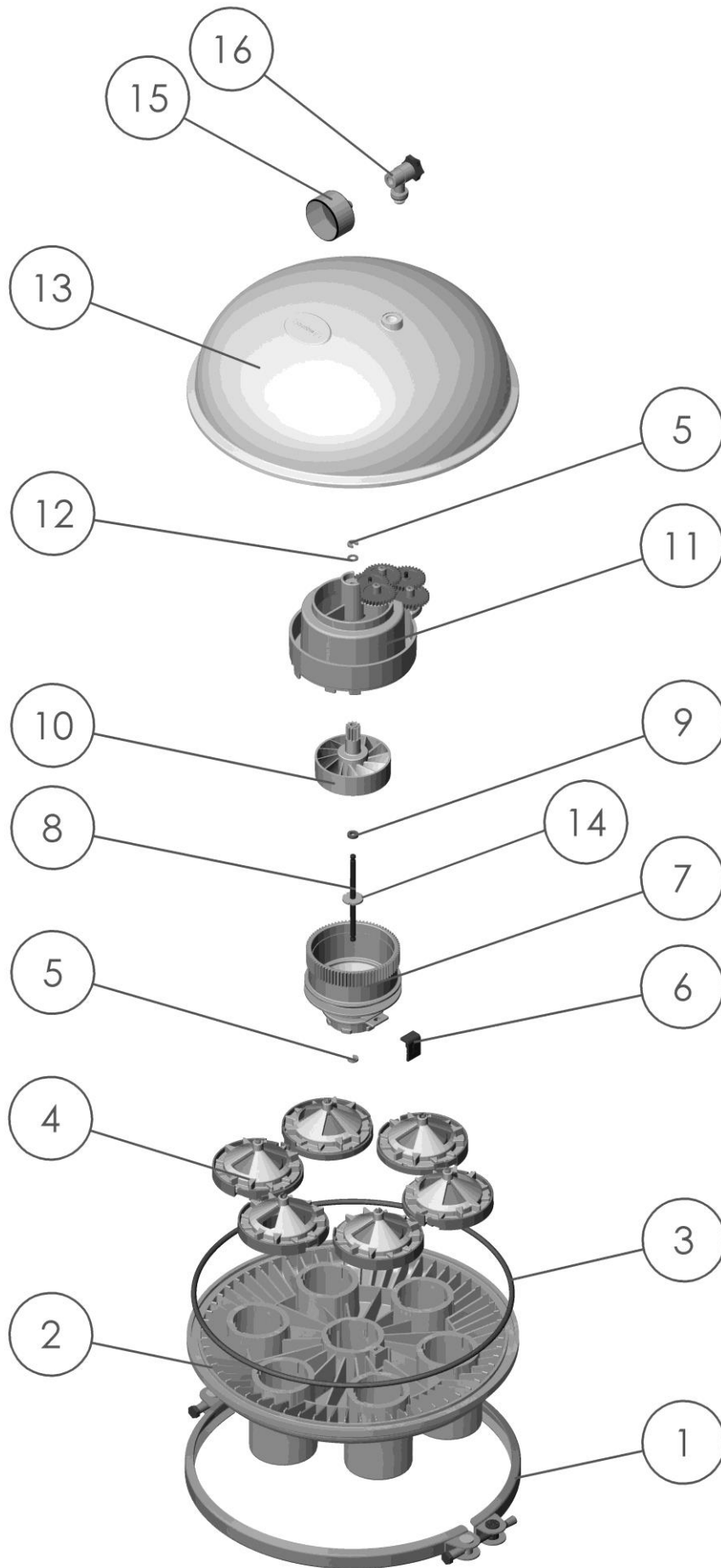


Fig. 8

ENGLISH

Nº	CODE	DESCRIPTION	35079	33354	60319	Q.
1	35079R0100	Ring	X	X	X	1
2	35079R0001	European connection body	X			1
2	33354R0001	US connection body		X		1
2	60319R0001	AUST. connection body			X	1
3	7713400065	O-ring 340x6,5	X	X	X	1
4	35079R0500	Cap	X	X	X	1
5	21257R0011	Washer of fixation	X	X	X	2
6	21257R0008	Lock	X	X	X	1
7	35079R0007	Gear body	X	X	X	1
8	35079R0008	Centre shaft	X	X	X	1
9	35079R0009	Plastic washer	X	X	X	1
10	35079R0600	Turbine	X	X	X	1
11	35079R0300	Base plate	X	X	X	1
12	21257R0015	Washer 1mm PTFE	X	X	X	1
13	35079R0002	Cover	X	X	X	1
14	35079R0010	Washer	X	X	X	1
15	21257R0006	3 bar-psi pressure gauge	X	X	X	1
16	21257R0700	Pressure gauge tee	X	X	X	1

FRANÇAIS

Nº	CODE	DESCRIPTION	35079	33354	60319	Q.
1	35079R0100	Frette	X	X	X	1
2	35079R0001	Corps raccords européens	X			1
2	33354R0001	Corps raccords U.S.A.		X		1
2	60319R0001	Corps raccords AUST.			X	1
3	7713400065	Joint torique 340x6,5	X	X	X	1
4	35079R0500	Couvercle	X	X	X	1
5	21257R0011	Rondelle de fixation	X	X	X	2
6	21257R0008	Cran de sûreté	X	X	X	1
7	35079R0007	Corps d'engrenage	X	X	X	1
8	35079R0008	Arbre central	X	X	X	1
9	35079R0009	Rondelle plastique	X	X	X	1
10	35079R0600	Turbine	X	X	X	1
11	35079R0300	Plaque de base	X	X	X	1
12	21257R0015	Rondelle 1mm PTFE	X	X	X	1
13	35079R0002	Dessus	X	X	X	1
14	35079R0010	Rondelle	X	X	X	1
15	21257R0006	Manomètre 3 bars-psi	X	X	X	1
16	21257R0700	Té manomètre	X	X	X	1

ESPAÑOL

Nº	CÓDIGO	DESCRIPCION	35079	33354	60319	C
1	35079R0100	Zuncho	X	X	X	1
2	35079R0001	Cuerpo conexiones EUR	X			1
2	33354R0001	Cuerpo conexiones USA		X		1
2	60319R0001	Cuerpo conexiones AUST.			X	1
3	7713400065	Junta tórica 340x6,5	X	X	X	1
4	35079R0500	Tapeta	X	X	X	1
5	21257R0011	Arandela de fijación	X	X	X	2
6	21257R0008	Seguro	X	X	X	1
7	35079R0007	Cuerpo engranaje	X	X	X	1
8	35079R0008	Eje central	X	X	X	1
9	35079R0009	Arandela de plástico	X	X	X	1
10	35079R0600	Turbina	X	X	X	1
11	35079R0300	Placa base	X	X	X	1
12	21257R0015	Arandela 1mm PTFE	X	X	X	1
13	35079R0002	Cubierta	X	X	X	1
14	35079R0010	Arandela	X	X	X	1
15	21257R0006	Manómetro 3 bar-psi	X	X	X	1
16	21257R0700	Te manómetro	X	X	X	1

ITALIANO

Nº	CODICE	DESCRIZIONE	35079	33354	60319	Q.
1	35079R0100	Ghiera	X	X	X	1
2	35079R0001	Corpo connessioni europee	X			1
2	33354R0001	Corpo connessioni USA		X		1
2	60319R0001	Corpo connessioni AUST.			X	1
3	7713400065	Giunta tórica 340x6,5	X	X	X	1
4	35079R0500	Calottina	X	X	X	1
5	21257R0011	Rondella di fissazione	X	X	X	2
6	21257R0008	Sicura	X	X	X	1
7	35079R0007	Corpo ingranaggi	X	X	X	1
8	35079R0008	Asse centrale	X	X	X	1
9	35079R0009	Rondella plastica	X	X	X	1
10	35079R0600	Turbina	X	X	X	1
11	35079R0300	Placca base	X	X	X	1
12	21257R0015	Rondella 1mm PTFE	X	X	X	1
13	35079R0002	Coperchio	X	X	X	1
14	35079R0010	Rondella	X	X	X	1
15	21257R0006	Manómetro 3 bar-psi	X	X	X	1
16	21257R0700	Te manómetro	X	X	X	1

DEUTSCH

NR.	CODE	BESCHREIBUNG	35079	33354	60319	M
1	35079R0100	Zwinge	X	X	X	1
2	35079R0001	Anschlussgehäuse (europa)	X			1
2	33354R0001	Anschlussgehäuse USA		X		1
2	60319R0001	Anschlussgehäuse AUST.			X	1
3	7713400065	Rundringdichtung 340x6,5	X	X	X	1
4	35079R0500	Bodenblättchen	X	X	X	1
5	21257R0011	Befestigungscheibe	X	X	X	2
6	21257R0008	Verriegelung	X	X	X	1
7	35079R0007	Zahnäder-Körper	X	X	X	1
8	35079R0008	Mittelachse	X	X	X	1
9	35079R0009	Scheibe aus Plastik	X	X	X	1
10	35079R0600	Turbine	X	X	X	1
11	35079R0300	Grundplatte	X	X	X	1
12	21257R0015	Scheibe 1mm PTFE	X	X	X	1
13	35079R0002	Abdeckung	X	X	X	1
14	35079R0010	Unterlegscheibe	X	X	X	1
15	21257R0006	Druckmesser 3 bar-psi	X	X	X	1
16	21257R0700	T-stück druckmesser	X	X	X	1

PORTUGUÊS

Nº	CÓDIGO	DESCRIÇÃO	35079	33354	60319	C.
1	35079R0100	Anel	X	X	X	1
2	35079R0001	Corpo ligações europeias	X			1
2	33354R0001	Corpo ligações USA		X		1
2	60319R0001	Corpo ligações AUST.			X	1
3	7713400065	Junta tórica 340x6,5	X	X	X	1
4	35079R0500	Tampa	X	X	X	1
5	21257R0011	Anilha de fixação	X	X	X	2
6	21257R0008	Fecho de segurança	X	X	X	1
7	35079R0007	Corpo de engrenagem	X	X	X	1
8	35079R0008	Eixo central	X	X	X	1
9	35079R0009	Anilha plástico	X	X	X	1
10	35079R0600	Turbina	X	X	X	1
11	35079R0300	Placa base	X	X	X	1
12	21257R0015	Anilha 1mm PTFE	X	X	X	1
13	35079R0002	Cobertura	X	X	X	1
14	35079R0010	Anilha	X	X	X	1
15	21257R0006	Manómetro 3 bar-psi	X	X	X	1
16	21257R0700	Tê manómetro	X	X	X	1

GB PRODUCTS:
F PRODUITS:
E PRODUCTOS:
I PRODOTTI:
D PRODUKTE:
P PRODUTOS:

DISTRIBUTION VALVE NET 'N' CLEAN Ø 63
VANNE DISTRIBUTRICE NET 'N' CLEAN Ø 63
VÁLVULA DISTRIBUIDORA NET 'N' CLEAN Ø 63
VALVOLA DI DISTRIBUZIONE NET 'N' CLEAN Ø 63
VERTEILERVERTIL NET 'N' CLEAN Ø 63
VÁLVULA DISTRIBUIDORA NET 'N' CLEAN Ø 63

DECLARATION CE OF CONFORMITY

The products listed above are in compliance with:
Machine Directive 89/392/EEC.

DÉCLARATION CE DE CONFORMITÉ

Les produits énumérés ci-dessus sont conformes à:
La Directive Machines 89/392/CEE..

DECLARACION CE DE CONFORMIDAD

Los productos arriba enumerados se hallan
conformes con:
Directiva de Máquinas 89/392/CEE.

DICHIARAZIONE CE DI CONFORMITÀ

I prodotti di cui sopra adempiono alle seguenti
direttive:
Direttiva di Macchine 89/392/CEE.

KONFORMITÄTSEKTLÄRUNG CE

Die oben aufgeführten Produkte sind konform mit:
Richtlinie zur Maschinenrichtlinien 89/392/CEE.

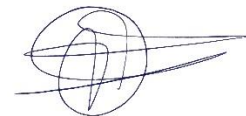
DECLARAÇÃO CE DE CONFORMIDADE

Os produtos relacionados acima estão conformes
as:
Directiva Máquinas 89/392/CEE.

Signature / Qualification:
Signature / Qualification:
Firma / Cargo:
Firma / Qualifica:
Unterschrift / Qualifizierung:
Assinatura / Título:

SACOPA, S.A.U.
Pol Ind. Poliger Sud – Sector I, s/n
E-17854 SANT JAUME DE LLIERCA
SPAIN

St. Jaume de Llerca, 19 March of 2013



MANAGER

Made in Spain

Sacopa, S.A.U.

Pol. Ind. Políger Sud – Sector I, s/n

ASTRALPOOL

Fluidra S.A.-Astralpool | Avda. Alcalde Barnils, 69,

08174 Sant Cugat del Vallès, Barcelona, Spain.

www.astralpool.com



35079E201-04

- *We reserve to change all or part of the articles or contents of this document, without prior notice*
- *Nous nous réservons le droit de modifier totalement ou en partie les caractéristiques de nos articles ou le contenu de ce document sans pré avis*
- *Nos reservamos el derecho de cambiar total o parcialmente las características de nuestros artículos o contenido de este documento sin previo aviso*
- *Ci riserviamo il diritto di cambiare totalmente o parzialmente le caratteristiche tecniche dei nostri prodotti ed il contenuto di questo documento senza nessun preavviso*
- *Wir behalten uns das recht vor die eigenschaften unserer produkte oder den inhalt dieses prospektes teilweise oder wollstanding, ohne vorherige benachichtigung su andern*
- *Reservamo-nos na dereito de alterar, total ou parcialmente as características dos nossos artigos ou o conteúdo deste documento sem aviso prévio*