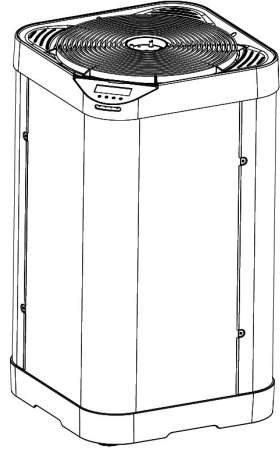




# ZODIAC®

## Z350iQ



works  
with

FLUIDRA  
POOL

EN Quick Start Guide

FR \*Guide de Démarrage Rapide

DE Kurz- oder Schnellstartanleitung

ES Guía de Inicio Rápido

IT Guida Rapida

PT Guia Rápido

NL Snelstartgids

EL Οδηγός γρήγορης έναρξης

SV Snabbstartsguide

HU Első lépések

PL Przewodnik Szybkiego Uruchamiania

BG Ръководство за бърз старт

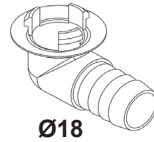
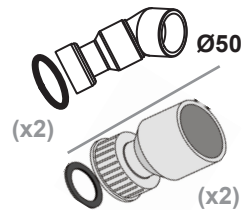
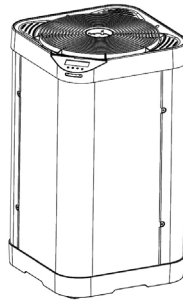
CS Stručný návod

SK Príručka pre rýchle spustene

دليل التشغيل السريع AR

\*Instructions d'origine  
Original instructions  
Original anleitung  
Originele instructies  
Instrucciones originales  
Instruções originais  
Instruzioni originali  
Πρωτότυπες οδηγίες  
Originalinstruktioner  
Eredeti utasítások  
Oryginalne instrukcje  
Оригинални инструкции  
Originální návod  
Pôvodný návod

التعليمات الأصلية



H0791700 REVC



## WARNINGS



This manual contains only basic information on the safety measures to be adopted during installation, maintenance and start-up. The complete manual can be read and downloaded as a PDF file from the website: [www.zodiac.com](http://www.zodiac.com). All assembly, electrical installation and maintenance work must be carried out by qualified, authorized personnel who have read this manual carefully and completely. We reserve the right to totally or partially change our products' features or the content of this document without prior warning.



### GENERAL WARNINGS

- The appliance is intended to be used for pools and spas for a specific purpose; it must not be used for any purpose other than that for which it was designed.
- Failure to respect the warnings may cause serious damage to the pool equipment or cause serious injury, even death.
- This appliance is not intended for use by persons (including children) with reduced physical, sensory or mental capabilities, or lack of experience and knowledge, unless they have been given supervision or instruction concerning use of the appliance by a person responsible for their safety. Children should be supervised to ensure that they do not play with the appliance.
- This appliance can be used by children aged from 8 years and above and persons with reduced physical, sensory or mental capabilities or lack of experience and knowledge if they have been given supervision or instruction concerning use of the appliance in a safe way and understand the hazards involved. Children shall not play with the appliance. Cleaning and user maintenance shall not be made by children without supervision.
- The appliance must be installed according to the manufacturer's instructions and in compliance with local and national regulations.
- Our products may only be assembled and installed in pools compliant with standards IEC/HD 60364-7-702 and required national rules. The installation should follow standard IEC/HD 60364-7-702 and required national rules for swimming pools. Consult your local dealer for more information.

### WARNINGS ASSOCIATED WITH ELECTRICAL APPLIANCES

- The power supply to the appliance must be protected by a dedicated 30mA Residual Current Device (RCD), complying with the standards and regulations in force in the country in which it is installed.
- The equipment not include electrical switch for disconnection; include a disconnection supply device in the fixing wiring at least OVC III, in accordance applicable national laws.
- If the power supply cord is damaged, it must be replaced by the manufacturer, an authorized representative or a repair facility only.

### WARNINGS CONCERNING APPLIANCES CONTAINING R32 REFRIGERANT



- This device contains R32 refrigerant, a class A2L refrigerant, which is considered to be potentially flammable.
- Do not discharge R32 fluid into the atmosphere. This is a fluorinated greenhouse gas, covered by the Kyoto Protocol, with a Global Warming Potential (GWP) = 675 (European regulation EU 517/2014).
- In order to comply with the applicable standards and regulations in terms of the environment and installation, in particular Decree No. 2015-1790 and/or European regulation EU 517/2014, a leak test must be performed on the cooling circuit when the appliance is first started and at least once a year. This operation must be carried out by a specialist certified to test cooling appliances
- The appliance shall be stored in a room without continuously operating ignition sources (for example: open flames, an operating gas appliance or an operating electric heater).
- For further information consult the safety instructions concerning appliances containing gas R32 in the extended version of the manual, in which the fields area check, work procedure, general work area, check for the presence of refrigerant, check for the presence of a fire extinguisher, no source of ignition, area ventilation, refrigerant equipment check, electrical component check, repair of insulated components, repair of intrinsically components, wiring, detection of flammable refrigerant, removal and discharge, loading procedures and dismantling are specified.

### INSTALLATION AND MAINTENANCE

- Only a person qualified in the technical fields concerned (electricity, hydraulics or refrigeration) is authorized to carry out installation, maintenance or repair work on the appliance
- The appliance may not be installed close to combustible materials, or the air duct inlet of an adjacent building.
- When servicing the appliance, the composition and state of the heat transfer fluid must be checked, as well as the absence of any traces of coolant.
- During the appliance's annual sealing test in accordance with applicable legislation, the high and low pressure switches must be checked to ensure that they are securely fastened to the cooling circuit and that they cut off the electrical circuit when tripped.
- During maintenance work, ensure there are no traces of corrosion or oil around the cooling components.
- Before beginning work on the cooling circuit, stop the appliance and wait for a few minutes before fitting the temperature and pressure sensors. Some elements such as the compressor and piping may reach temperatures in excess of 100°C and high pressures with the consequent risk of severe burns.



## WARNINGS



## REFRIGERANT SPECIFICATIONS

### Area check

- This device contains R32 refrigerant, a class A2L refrigerant, which is considered to be potentially flammable.
- Do not discharge R32 fluid into the atmosphere. This is a fluorinated greenhouse gas, covered by the Kyoto Protocol, with a Global Warming Potential (GWP) = 675 (European regulation EU 517/2014).
- In order to comply with the applicable standards and regulations in terms of the environment and installation, in particular Decree No. 2015-1790 and/or European regulation EU 517/2014, a leak test must be performed on the cooling circuit when the appliance is first started and at least once a year. This operation must be carried out by a specialist certified to test cooling appliances
- The appliance shall be stored in a room without continuously operating ignition sources (for example: open flames, an operating gas appliance or an operating electric heater).
- For further information consult the safety instructions concerning appliances containing gas R32 in the extended version of the manual, in which the fields area check, work procedure, general work area, check for the presence of refrigerant, check for the presence of a fire extinguisher, no source of ignition, area ventilation, refrigerant equipment check, electrical component check, repair of insulated components, repair of intrinsically components, wiring, detection of flammable refrigerant, removal and discharge, loading procedures and dismantling are specified.

### Work procedure

- Work shall be undertaken under a controlled procedure so as to minimize the risk of a flammable gas or vapor being present while the work is being performed.

### General work area

- All maintenance staff and others working in the local area shall be instructed on the nature of work being carried out. Work in confined spaces shall be avoided.

### Check for the presence of refrigerant

- The area shall be checked with an appropriate refrigerant detector prior to and during work, to ensure the technician is aware of potentially toxic or flammable atmospheres. Ensure that the leak detection equipment being used is suitable for use with all applicable refrigerants, i.e. non-sparking, adequately sealed or intrinsically safe.

### Check for the presence of a fire extinguisher

- If any work involving heat is to be conducted on the refrigerating equipment or any associated parts, appropriate fire extinguishing equipment shall be available to hand. Have a dry powder or CO<sub>2</sub> fire extinguisher adjacent to the charging area.

### No source of ignition

- No person carrying out work in relation to a refrigerating system which involves exposing any pipe work shall use any sources of ignition in such a manner that it may lead to the risk of fire or explosion. All possible ignition sources, including cigarette smoking, should be kept sufficiently far away from the site of installation, repairing, removing and disposal, during which refrigerant can possibly be released to the surrounding space. Prior to work taking place, the area around the equipment is to be surveyed to make sure that there are no flammable hazards or ignition risks.

“No Smoking” signs shall be displayed.

### Area ventilation

- Prior to penetrating the unit in any way to perform any required service, ensure that the area is open and adequately ventilated. Proper ventilation, to allow for safe dispersion of any refrigerant which may be inadvertently released to the atmosphere, should be maintained while service is being performed on the unit.



## RECYCLING INFORMATION

- Contact your retailer for recycling information.

## PRODUCT INFORMATION FOR PRODUCTS WITH CONNECTIVITY (Under RED Directive)

### Declaration of conformity

Hereby, Zodiac declares that the radio equipment type Z350iQ is in compliance with Directive 2014/53/EU. The full text of the EU Declaration of conformity is available at the following address: <https://www.zodiac-poolcare.com/>.

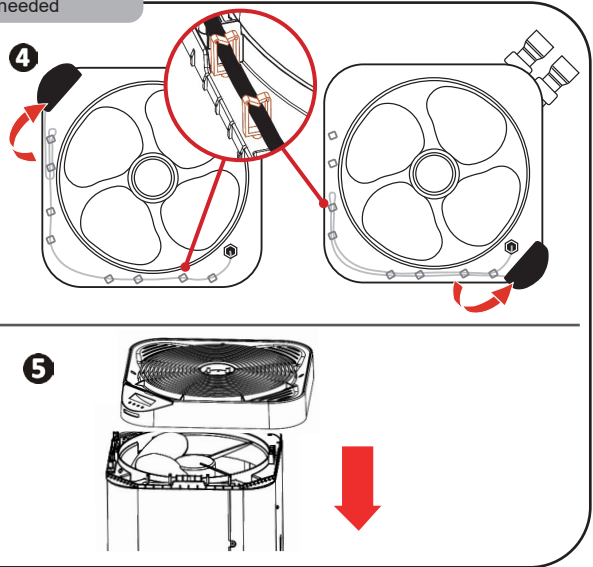
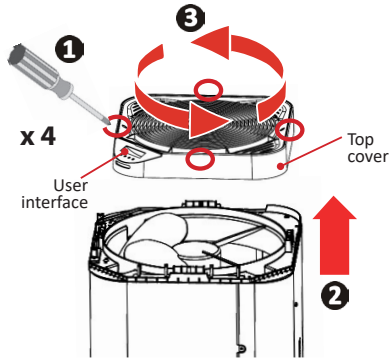
# 1 Installing the appliance



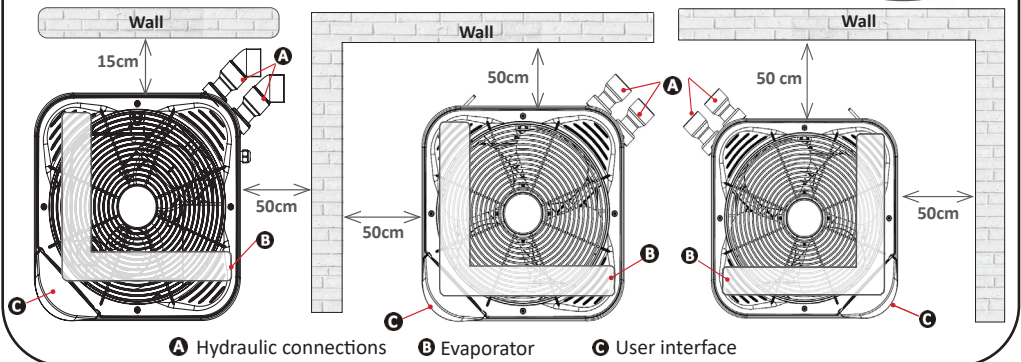
1 Installation

Rotate the top and user interface if needed

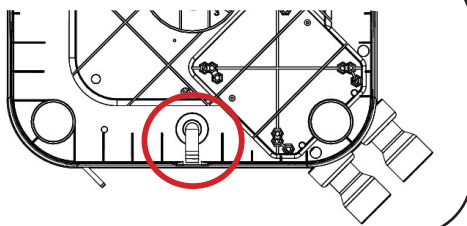
**CAUTION** : The display board (under the display screen) is connected by a cable to the control board inside the unit. Handle the top cover carefully to do not damage this cable.



Choose the location and the hydraulic connectors that are best fitting the installation configuration



Evacuate the condensates Fit a Ø18 pipe on the grooved elbow to be mounted under the appliance base.



Refer to the online manual for further details about installation precautions and hydraulic connections.

## 2 Electric supply connections

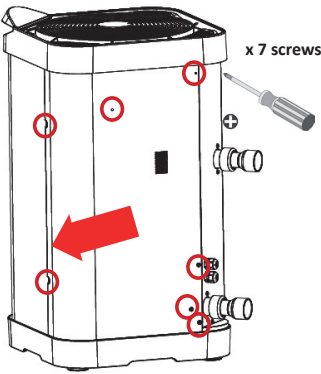


1 Installation

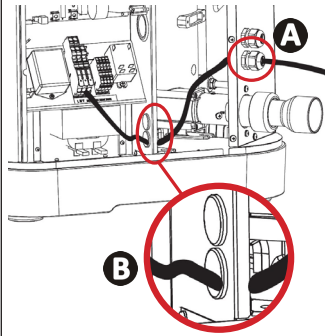
- Cut the electricity supply before any work inside the appliance (risk of electric shock). The removal of the power supply has to be such that you can always check from any of the points to which you have access that the power supply remains removed. If this is not possible, you should provide a disconnection with a locking system.
- Only a qualified and experienced technician is authorised to carry out cabling work within the appliance or to replace the power cord.
- Make sure that the terminal screws are fully tightened (risk of fire). Incorrectly tightened terminal screws will cancel the warranty.
- Do not disconnect the electricity supply when the appliance is running. If the electric power supply is interrupted, wait a minute before restoring the power.

### Connect the unit to the power supply and options

#### 1 Open and remove.

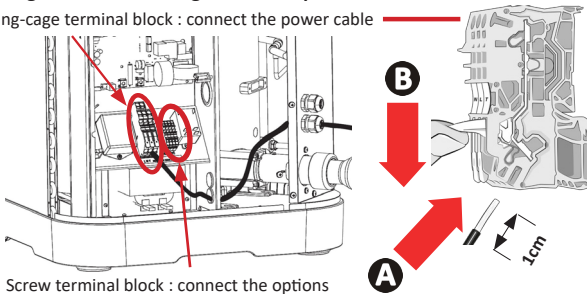


#### 2 Pass the power cable.



#### 3 Wire the power cable. To connect options: do not run the cables through the same cable gland as the power cable.

Spring-cage terminal block : connect the power cable



Screw terminal block : connect the options

### Cable wiring and protection

Model	Electricity supply	Max. current	Cable diameter*	Thermal magnetic protection
MD4	220 - 240V 1 phase 50 Hz	9.1	<ul style="list-style-type: none"> <li>• H07RN-F type</li> <li>• Diameter: between 13 and 18mm</li> <li>• Min. cable section: - for power supply cable: 3x2.5mm<sup>2</sup></li> <li>- for option cable: 2x0.75mm<sup>2</sup></li> </ul>	C or D curve 30 mA
MD5		10.8		
MD6		13.5		

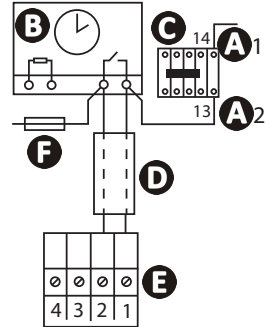
\*Cable cross section suitable for max. length 20 meters.

### Power supply connection



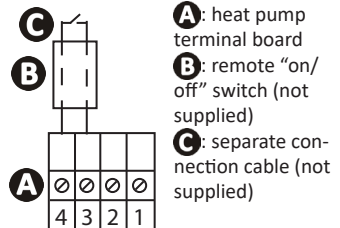
— delayed fuse

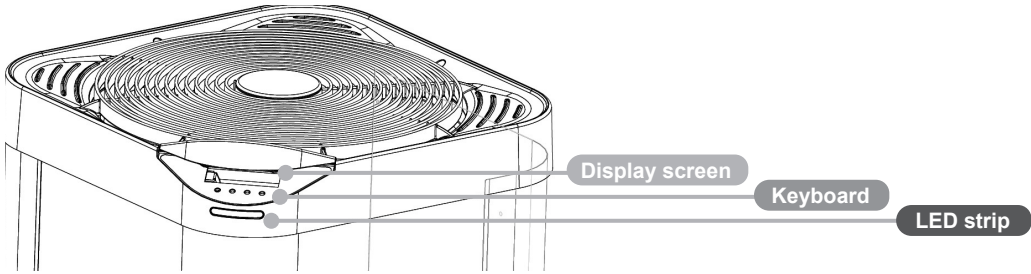
### Heating priority connection



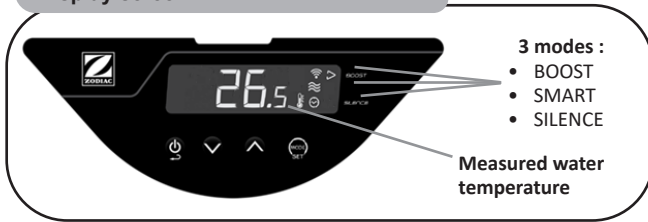
- A1 - A2: power for filtration pump power contractor coil
- B: filtration timer
- C: power contractor (tripolar or bipolar) for filtration system pump motor
- D: separate cable for the "heating priority" function (not supplied)
- E: heat pump terminal board
- F: fuse

### Remote "ON/OFF" connection





Display screen



3 modes :

- BOOST
- SMART
- SILENCE

Measured water temperature

LED strip (lit by default)

To switch it off, see p.4

Green - "Heating"

- The heat pump is heating the water
- Temperature set point reached

Blue - "Cooling"

- The heat pump is cooling the water

Red - "Error"

- See online manual

Keyboard



- Mode change
- Menu access (press and hold)
- Validation (confirm)



- Browsing
- Setting values



- ON / OFF (press and hold)
- Return / back

Indicator lights

	Steady	Flashing	Off
	Keypad locked	-	Keyboard unlocked
	Water flow okay	Water flow too low or missing	-
	Indicates the selected mode	-	-
	-	Air temperature outside range of operation	Air temperature inside range of operation
°C °F	Selected temperature unit	-	-
	Wi-Fi connected	Wi-Fi pairing in progress	Wi-Fi not connected

**Lock/Unlock the keypad**

3 seconds

**Set automatic lock (enabled by default)**

Press and hold



Until "P19"



Confirm

ON (enabled) or  
OFF (disabled)

Confirm

**Adjust the temperature setpoint**Press from the main  
screen to adjust the valueIncrease or decrease  
temperatureConfirm (automatic if  
more than 30 seconds  
of inactivity)**Recommended  
temperature: 28 °C  
Max temperature: 32°****Activate/deactivate the Cooling mode (disabled by default)**

The activation of the Cooling mode is validated by 3 successive blue flashes.

Long press until  
screen displays  
"COOL"

Confirm

ON (enabled) or OFF  
(disabled)

Confirm

**Select the Heating modes**The heat pump has 3 active operating modes for  
adjusting its operating speed to the power that is  
required and the mode that is selected:

- "BOOST" mode
- "SMART" mode
- "SILENCE" mode

Press from the main  
screen:  
the ▶ indicator stops  
in front of one of the 3  
modes**Disable the LED strip (lit by default)**Press and hold from  
the main screen:  
the screen displays  
"COOL"the screen displays  
"LED"

Confirm

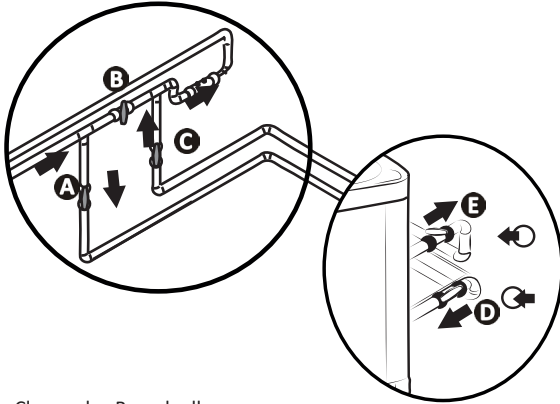
ON (enabled)  
or OFF (disabled)

Confirm


Refer to the online manual for  
further details about operating  
modes and the LED strip behaviour.



## Open the hydraulic circuit

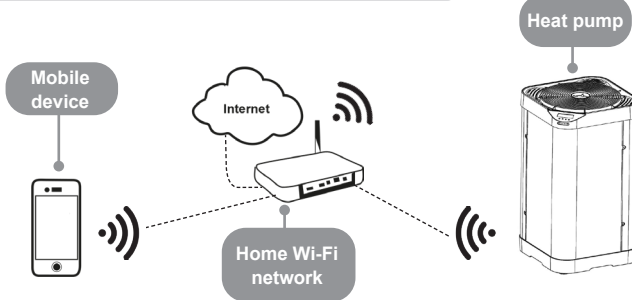


**CAUTION :** An incorrect by-pass setting may cause the heat pump to malfunction.

- Close valve B gradually.
- Open valves A, C and D fully. Open valve E by half (the air built up in the condenser and the filtration circuit will bleed out). If valves D and E are not present, open valve A wide and close valve C by half.
- Connect the power supply to the heat pump.
- If the heat pump is on standby, press  for 3 seconds; the splash screen appears for 4 seconds then the main screen is displayed. A 2-minute timer will start.
- Set the desired temperature.



## Connecting to the Fluidra Pool app



The heat pump can be remotely controlled from a smartphone or tablet, via the Fluidra Pool app available for iOS and Android systems. Before connecting to the Fluidra Pool app, ensure that you:

- Use a Wi-Fi-enabled smartphone or tablet.
- Use a Wi-Fi network with a reasonably strong signal when connecting to the heat pump: the Wi-Fi signal must be detectable at the place where the appliance is used. If this is not the case, a technical solution must be provided to amplify the existing signal.
- Rest close to the appliance and have your home Wi-Fi network password at the ready .

Download the Fluidra Pool app



The screen displays «BLE»

Open the application and follow the steps described in the app to add the heat pump





## Winterising



Press and hold to turn off the appliance

Disconnect the power supply

Close valves A and C and open valves D and E (if present)

Drain the water from the condenser to avoid any risk of freezing



Put the aired winterising micro cover

- In the case of full winterising for the pool (complete shutdown of the filtration system, bleed the filtration circuit or even pool drainage): re-fit the two connectors by one turn to prevent any foreign bodies from getting into the condenser.
- In the case of winterising for the heat pump only (shutdown of the heating only, the filtration keeps running): do not tighten the connectors but add 2 caps (provided) on the condenser's water inlets and outlets.
- Put the aired winterising micro cover (provided) on the heat pump passing the hydraulics connections up through the opening provided for that purpose. It is not necessary to disconnect hydraulic and electrical connections.



- **Winterising is vital to prevent the condenser breaking due to freezing (freezing without winterising is not covered by the warranty).**
- **To avoid damaging the appliance with condensation, do not fully caver it; use the provided winterising caver.**



## Maintenance

- Make sure that the ventilation grid is not blocked by any foreign bodies.
- Clean the evaporator using a soft brush and a fresh water spray (disconnect the power cable).
- Clean the condensate drainage line to remove any impurities that may be blocking it.
- Make sure that the switch box's ventilation grid is clean.
- Do not use a high pressure jet. Do not spray with rain water, salt water or water which is full of minerals.
- Clean the outside of the appliance; do not use any solvent-based products. You can use a specific cleaning kit as an accessory: the PAC NET.




- **Do not disconnect the electricity supply when the appliance is running. If the electric power supply is interrupted, wait a minute before restoring power to the appliance.**
- **Before any maintenance, troubleshooting or repair operation, deactivating the modem's Wi-Fi connection is recommended to avoid any risk of the appliance being remotely controlled.**
- **It is recommended that the appliance undergo general servicing at least on a yearly basis to ensure proper operation, maintain performance levels and potentially prevent certain failures. These operations are carried out at the user's expense by a technician.**







Refer to the online manual for further details about safety instructions relative to R32 refrigerant and maintenance tasks that have to be carried out by a qualified technician.



- Before you contact the retailer, carry out these few simple checks if a problem occurs. If the problem is not resolved, contact your retailer.
-  : Actions to be performed by a qualified technician only.

### Appliance behaviour

The appliance does not start heating straight away	<ul style="list-style-type: none"> <li>• When the water flow rate is zero or is not enough, the appliance stops: check that the water is circulating correctly in the appliance and that the hydraulic connections are correct.</li> <li>• The appliance stops when the outdoor temperature falls below -7 °C.</li> </ul>
The appliance is discharging water	<ul style="list-style-type: none"> <li>• To check that the water is not coming from a leak in the pool circuit on the appliance, shut it down and run the filter pump to circulate water in the appliance. If the water continues to flow through the condensate drainage lines, there is a water leak in the appliance: contact your retailer.</li> </ul>
The evaporator is iced over	<ul style="list-style-type: none"> <li>• The appliance will soon switch to its defrost cycle to melt the ice.</li> <li>• If the appliance cannot manage to defrost its evaporator, it will stop itself; this means that the outdoor temperature is too low (below -7°C).</li> </ul>
The appliance is “smoking”	<ul style="list-style-type: none"> <li>• If the appliance is not in its defrost cycle, this is not normal. Switch off and disconnect the appliance immediately and contact your retailer .</li> </ul>
The appliance is not working	<ul style="list-style-type: none"> <li>•  If there is no display, check the supply voltage and the F1 fuse.</li> <li>• When the water flow rate is zero or is not enough, the appliance stops: check that the water is circulating correctly in the appliance.</li> </ul>
The fan is running but the compressor stops from time to time with no error message	<ul style="list-style-type: none"> <li>• If the outdoor temperature is low, the appliance will perform defrost cycles.</li> <li>• The appliance is unable to capture enough calories as its evaporator is clogged with dirt. Clean it to restore its performances.</li> </ul>
The appliance is working but the water temperature does not increase	<ul style="list-style-type: none"> <li>• The operating mode is not powerful enough (appliance in “SILENCE” or “SMART” mode). Switch to “BOOST” mode and set the filtration to 24/24 manual while the temperature rises.</li> <li>• Check that the automatic filling valve is not stuck in open position; this will keep supplying cold water into the pool and will prevent the temperature from rising.</li> <li>• There is too much heat loss as the air is cool. Install a heat insulated cover on the pool.</li> <li>• The appliance is unable to capture enough calories as its evaporator is clogged with dirt. Clean it to restore its performances.</li> <li>•  Check that the appliance is the right size for this pool and its environment.</li> </ul>
The appliance trips the circuit breaker	<ul style="list-style-type: none"> <li>•  Check that the circuit breaker is correctly dimensioned and that the cable section used is correct.</li> <li>•  The supply voltage is too low; contact your electricity supplier .</li> </ul>



Refer to the online manual for further details about error codes display, LEDs behaviour on the printing circuit board and the wiring diagrams.



Performances: air at 28°C / water at 28°C / humidity at 80 %

		MD4	MD5	MD6
Power output (max-min speed)	kW	11 - 3.1	14 - 4.4	16 - 4.7
Power consumed (max-min speed)	kW	1.9 - 0.3	2.6 - 0.5	3.2 - 0.5
Average COP (max-min speed)		5.8 - 10.3	5.4 - 8.8	5 - 9.4

## Technical specifications

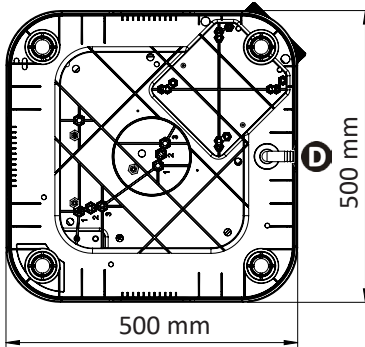
Operating temperature	Air	In "heating" mode: from -7 to 35°C In "cooling" mode: from 10 to 35°C
	Water	from 15 to 32°C
Operating pressure	Refrigerant	from 2 to 42 bar (from 0.2 to 4.2 MPa)
	Water	from 0 to 2 bar (from 0 to 0.2 MPa)
Power supply		220 - 240V ~ / 1 phase / 50 Hz
Admissible variation in voltage		± 6 % (during operation)
Hydraulic connections		2 PVC Union Ø 40 2 PVC reduction Ø 40/50 2 PVC Union 45° Ø 50
Type of cooling fluid		R32
Protection rating		IP24
Frequency bands	GHz	2.400 - 2.497
Radiofrequency emission power	dBm	+19.5
Installation location		Indoors/Outdoors

## Technical specifications

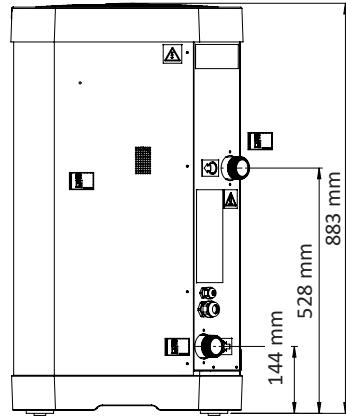
		MD4	MD5	MD6
Nominal electric current requirement	A	8	10.1	12.3
Max electric current requirement	A	9.0	12.3	15.9
Minimum cable section*	mm <sup>2</sup>	3x2.5	3x2.5	3x2.5
Sound power (max-min)	db(A)	70 - 64	71 - 63	73 - 65
Sound pressure at 10m (max-min)	db(A)	39 - 33	40 - 32	42 - 34
Recommended water flow	m <sup>3</sup> /h	3.4	4.2	5
Cooling fluid load	kg	0.7	0.85	0.95
	Tonn CO2 eq.	0.47	0.57	0.64
Approximate weight	kg	41	46	47

\* Values provided for information purposes for a maximum length of 20 metres (calculation base: NFC15-100), must be checked and adapted to the installation conditions and standards of the installation country.

## Dimensions



Bottom



Rear

<b>A</b>	Technical access door
<b>B</b>	Pool water inlet
<b>C</b>	Pool water outlet
<b>D</b>	Condensates drain

## 9 Wiring diagrams symbols



### 4.4 Wiring diagrams

Symbol	Description	Symbol	Description
<b>A1</b>	Electronic regulation board	<b>FS</b>	Flowswitch
<b>A2</b>	Display board (HMI)	<b>V1 - V2</b>	Varistor
<b>A4</b>	Compressor electronic board	<b>G/Y</b>	Green/Yellow
<b>CM</b>	Compressor	<b>BLK</b>	Black
<b>EEV</b>	Electronic expansion valve	<b>BLU</b>	Blue
<b>F1 - F2</b>	Fuse	<b>BRN</b>	Brown
<b>FAN</b>	Fan motor	<b>ORG</b>	Orange
<b>HP</b>	High pressure switch	<b>PNK</b>	Pink
<b>ST1</b>	Water inlet temperature sensor	<b>RED</b>	Red
<b>ST2</b>	Ambient air temperature sensor	<b>GRY</b>	Grey
<b>ST3</b>	Coil temperature sensor	<b>BLK</b>	Black
<b>ST4</b>	Liquid line temperature sensor	<b>VLT</b>	Violet
<b>ST5</b>	Discharge temperature sensor	<b>WHT</b>	White
<b>4WV</b>	4 way valve	<b>YEL</b>	Yellow



Refer to this table to read the wiring diagrams label on the backside of the electrical box. The wiring diagrams are also available in the online manual.



## AVERTISSEMENTS



Ce manuel ne contient que des informations de base sur les mesures de sécurité à adopter lors de l'installation, de la maintenance et de la mise en service. Le manuel complet peut être lu et téléchargé sous forme de fichier PDF sur le site web : [www.zodiac.com](http://www.zodiac.com). Tous les travaux de montage, d'installation électrique et de maintenance doivent être effectués par du personnel qualifié et autorisé qui a attentivement ce manuel. Nous nous réservons le droit de modifier totalement ou partiellement les caractéristiques de nos produits ou le contenu de ce document sans avertissement préalable.



### AVERTISSEMENTS GÉNÉRAUX

- L'appareil est destiné à être utilisé dans les piscines et les spas dans un but précis ; il ne doit pas être utilisé à d'autres fins que celles pour lesquelles il a été conçu.
- Le non-respect des avertissements peut endommager gravement l'équipement de la piscine ou causer des blessures graves, voire mortelles.
- Cet appareil n'est pas destiné à être utilisé par des personnes (y compris les enfants) dont les capacités physiques, sensorielles ou mentales sont réduites, ou qui manquent d'expérience et de connaissances, à moins qu'elles n'aient été supervisées ou instruites à l'utilisation de l'appareil par une personne responsable de leur sécurité. Les enfants doivent être surveillés afin de s'assurer qu'ils ne jouent pas avec l'appareil.
- Cet appareil peut être utilisé par des enfants âgés de plus de 8 ans et par des personnes dont les capacités physiques, sensorielles ou mentales sont réduites, ou qui manquent d'expérience et de connaissances, s'ils ont été supervisés ou instruits à l'utilisation de l'appareil avec sécurité et s'ils comprennent les risques encourus. Les enfants ne doivent pas jouer avec l'appareil. Le nettoyage et la maintenance par l'utilisateur ne doivent pas être effectués par des enfants sans surveillance.
- L'appareil doit être installé conformément aux instructions du fabricant et dans le respect des réglementations locales et nationales.
- Nos produits ne peuvent être assemblés et installés que dans les piscines conformes aux normes CEI/HD 60364-7-702 et aux règles nationales requises. L'installation doit être conforme à la norme CEI/HD 60364-7-702 et aux règles nationales requises pour les piscines. Consulter votre revendeur local pour plus d'informations.

### AVERTISSEMENTS ASSOCIÉS AUX APPAREILS ÉLECTRIQUES

- L'alimentation électrique de l'appareil doit être protégée par un disjoncteur différentiel dédié de 30 mA, conforme aux normes et réglementations en vigueur dans le pays où il est installé.
- L'équipement n'inclut pas de commutateur électrique pour la déconnexion. Ajouter un dispositif de déconnexion de l'alimentation dans le câblage de fixation d'une catégorie OVC III au minimum, conformément aux lois nationales applicables.
- Si le cordon d'alimentation est endommagé, il ne doit être remplacé que par le fabricant, par un représentant agréé ou par un centre de réparation.

### AVERTISSEMENTS CONCERNANT LES APPAREILS CONTENANT DU RÉFRIGÉRANT R32



- Ce dispositif contient du réfrigérant R32, un réfrigérant de classe A2L, qui est considéré comme potentiellement inflammable.
- Ne pas rejeter le fluide R32 dans l'atmosphère. Il s'agit d'un gaz à effet de serre fluoré, couvert par le protocole de Kyoto, dont le potentiel de réchauffement global (PRG) est égal à 675 (règlement européen UE 517/2014).
- Afin de respecter les normes et réglementations applicables en matière d'environnement et d'installation, notamment le décret n° 2015-1790 et/ou le règlement européen UE 517/2014, un test d'étanchéité doit être effectué sur le circuit de refroidissement lors de la première mise en marche de l'appareil et au moins une fois par an. Cette opération doit être effectuée par un spécialiste certifié pour tester les appareils de refroidissement.
- L'appareil doit être entreposé dans une pièce sans source d'inflammation permanente (par exemple, flammes nues, appareil à gaz ou chauffage électrique en fonctionnement).
- Pour plus d'informations, consulter les consignes de sécurité relatives aux appareils contenant du gaz R32 dans la version étendue du manuel, dans laquelle sont spécifiés le contrôle de la zone, la procédure de travail, la zone de travail générale, le contrôle de la présence du réfrigérant, le contrôle de la présence d'un extincteur, l'absence de source d'inflammation, la ventilation de la zone, le contrôle de l'équipement réfrigérant, le contrôle des composants électriques, la réparation des composants isolés, la réparation des composants intrinsèques, le câblage, la détection d'un réfrigérant inflammable, le retrait et le vidage, les procédures de chargement et le démontage.

### INSTALLATION ET MAINTENANCE

- Seule une personne qualifiée dans les domaines techniques concernés (électricité, hydraulique ou réfrigération) est autorisée à effectuer les travaux d'installation, d'entretien ou de réparation de l'appareil.
- L'appareil ne doit pas être installé à proximité de matériaux combustibles ou de l'entrée du conduit d'air d'un bâtiment adjacent.
- Lors de l'entretien de l'appareil, vérifier la composition et l'état du fluide caloporteur, ainsi que l'absence de toute trace de liquide de refroidissement.
- Lors du test annuel d'étanchéité de l'appareil, conformément à la législation en vigueur, vérifier que les pressostats haute et basse pression sont bien fixés au circuit de refroidissement et qu'ils coupent le circuit électrique en cas de déclenchement.
- Lors des travaux de maintenance, s'assurer qu'il n'y a pas de traces de corrosion ou d'huile autour des composants de refroidissement.
- Avant de commencer des travaux sur le circuit de refroidissement, arrêter l'appareil et attendre quelques minutes avant de monter les capteurs de température et de pression. Certains éléments, tels que le compresseur et la tuyauterie, peuvent atteindre des températures supérieures à 100 °C et des pressions élevées, avec le risque de brûlures graves que cela implique.



## AVERTISSEMENTS



### SPÉCIFICATIONS DU RÉFRIGÉRANT

#### Contrôle de la zone

- Ce dispositif contient du réfrigérant R32, un réfrigérant de classe A2L, qui est considéré comme potentiellement inflammable.
- Ne pas rejeter le fluide R32 dans l'atmosphère. Il s'agit d'un gaz à effet de serre fluoré, couvert par le protocole de Kyoto, dont le potentiel de réchauffement global (PRG) est égal à 675 (règlement européen UE 517/2014).
- Afin de respecter les normes et réglementations applicables en matière d'environnement et d'installation, notamment le décret n° 2015-1790 et/ou le règlement européen UE 517/2014, un test d'étanchéité doit être effectué sur le circuit de refroidissement lors de la première mise en marche de l'appareil et au moins une fois par an. Cette opération doit être effectuée par un spécialiste certifié pour tester les appareils de refroidissement
- L'appareil doit être entreposé dans une pièce sans source d'inflammation permanente (par exemple, flammes nues, appareil à gaz ou chauffage électrique en fonctionnement).
- Pour plus d'informations, consulter les consignes de sécurité relatives aux appareils contenant du gaz R32 dans la version étendue du manuel, dans laquelle sont spécifiés le contrôle de la zone, la procédure de travail, la zone de travail générale, le contrôle de la présence du réfrigérant, le contrôle de la présence d'un extincteur, l'absence de source d'inflammation, la ventilation de la zone, le contrôle de l'équipement réfrigérant, le contrôle des composants électriques, la réparation des composants isolés, la réparation des composants intrinsèques, le câblage, la détection d'un réfrigérant inflammable, le retrait et le vidage, les procédures de chargement et le démontage.

#### Procédure de travail

- Les travaux doivent être entrepris selon une procédure contrôlée afin de minimiser le risque de présence de gaz ou de vapeurs inflammables pendant l'exécution des travaux.

#### Zone de travail générale

- Le personnel de maintenance et les autres personnes travaillant dans la zone doivent être informés de la nature des travaux à effectuer. Le travail dans des espaces confinés doit être évité.

#### Contrôle de la présence du réfrigérant

- La zone doit être contrôlée à l'aide d'un détecteur de réfrigérant approprié avant et pendant le travail, afin de s'assurer que le technicien est averti des atmosphères potentiellement toxiques ou inflammables. S'assurer que l'équipement de détection des fuites utilisé est adapté à une utilisation avec tous les réfrigérants applicables, c'est-à-dire qu'il ne produit pas d'étincelles, qu'il est correctement scellé ou qu'il est intrinsèquement sûr.

#### Contrôle de la présence d'un extincteur

- Si des travaux impliquant de la chaleur doivent être effectués sur l'équipement de réfrigération ou sur toute pièce associée, un équipement d'extinction des incendies approprié doit être disponible à portée de main. Un extincteur à poudre ou à CO2 doit être présent à proximité de la zone de chargement.

#### Absence de source d'inflammation

- Il est interdit à toute personne effectuant un travail sur un système de réfrigération qui implique l'exposition d'une tuyauterie d'utiliser des sources d'inflammation d'une manière qui puisse entraîner un risque d'incendie ou d'explosion. Toutes les sources d'inflammation possibles, y compris la cigarette, doivent être maintenues suffisamment éloignées du site d'installation, de réparation, de retrait et d'élimination, quand du réfrigérant peut éventuellement être libéré dans l'espace environnant. Avant le début des travaux, la zone autour de l'équipement doit être examinée pour s'assurer qu'il n'y a pas de risques d'inflammabilité ou d'inflammation. Des panneaux « Défense de fumer » doivent être affichés.

#### Ventilation de la zone

- Avant de pénétrer dans l'unité de quelque manière que ce soit pour effectuer un entretien, s'assurer que la zone est ouverte et correctement ventilée. Une ventilation adéquate doit être maintenue pendant l'entretien de l'unité pour permettre une dispersion sûre de tout réfrigérant qui pourrait être libéré par inadvertance dans l'atmosphère.



### INFORMATIONS SUR LE RECYCLAGE

- Contacter votre revendeur pour obtenir les informations sur le recyclage.

### INFORMATIONS POUR LES PRODUITS AVEC CONNECTIVITÉ (selon la directive RED)

#### Déclaration de conformité

Par la présente, Zodiac déclare que l'équipement radio de type Z350iQ est conforme à la directive 2014/53/UE. Le texte intégral de la Déclaration de conformité européenne est disponible à l'adresse suivante : <https://www.zodiac-poolcare.com/>.

# 1 Installation de l'appareil

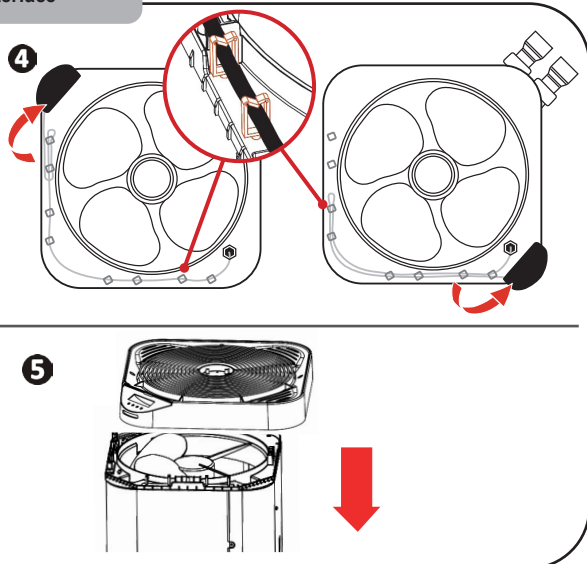
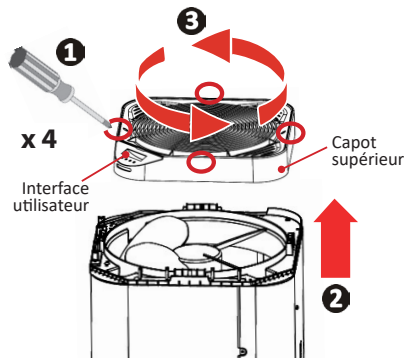


1 Installation

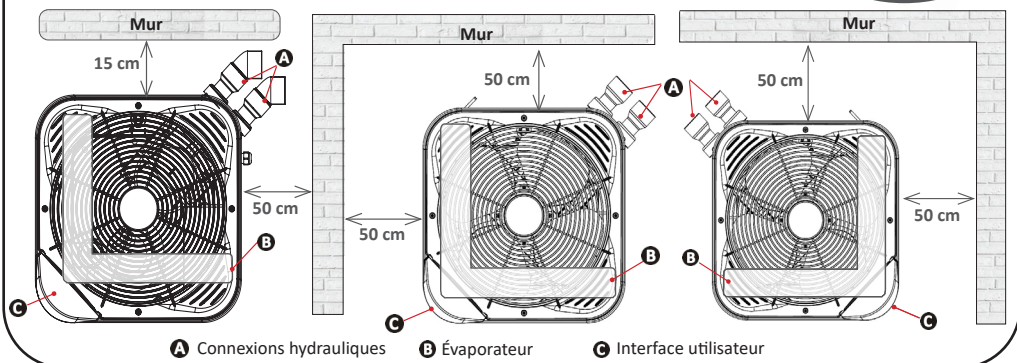
Faire pivoter la partie supérieure et l'interface utilisateur si nécessaire



**ATTENTION :** Le tableau d'affichage (sous l'écran d'affichage) est relié par un câble au tableau de commande à l'intérieur de l'unité. Manipuler le capot supérieur avec précaution pour ne pas endommager ce câble.

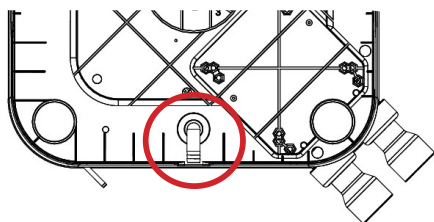


Choisir l'emplacement et les connecteurs hydrauliques qui conviennent le mieux à la configuration de l'installation



**A** Connexions hydrauliques **B** Évaporateur **C** Interface utilisateur

Évacuer les condensats Installer un tuyau de Ø18 sur le coude rainuré à monter sous la base de l'appareil.



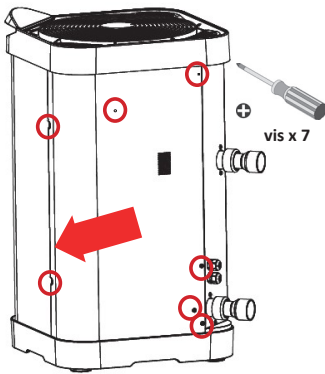
Consulter le manuel en ligne pour plus de détails sur les précautions d'installation et les connexions hydrauliques.



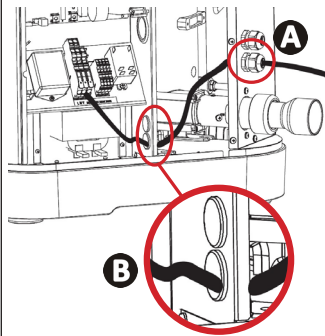
- Couper l'alimentation électrique avant toute intervention à l'intérieur de l'appareil (risque d'électrocution). Le retrait de l'alimentation électrique doit être fait de sorte que vous puissiez toujours vérifier, à partir de n'importe quel point auquel vous avez accès, que l'alimentation électrique reste retirée. Si cela n'est pas possible, vous devez prévoir une déconnexion avec un système de verrouillage.
- ⚠ Seul un technicien qualifié et expérimenté est autorisé à effectuer des travaux de câblage dans l'appareil ou à remplacer le cordon d'alimentation.
- S'assurer que les vis des bornes sont entièrement serrées (risque d'incendie). Des vis de borne mal serrées annuleront la garantie.
- Ne pas débrancher l'alimentation électrique lorsque l'appareil est en marche. Si l'alimentation électrique est interrompue, attendre une minute avant de rétablir le courant.

### Connecter l'unité à l'alimentation électrique et aux accessoires

#### 1 Ouvrir et retirer.

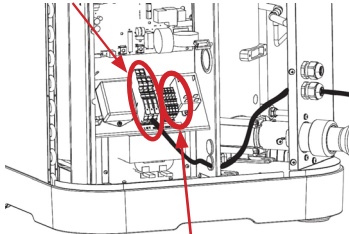


#### 2 Passer le câble d'alimentation.

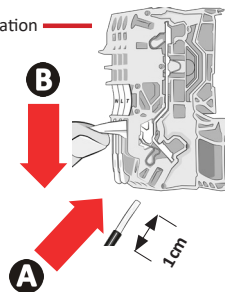


#### 3 Câbler le câble d'alimentation. Pour connecter les accessoires : ne pas faire passer les câbles par le même presse-étoupe que le câble d'alimentation.

Bornier à ressort : connecter le câble d'alimentation



Bornier à vis : connecter les accessoires

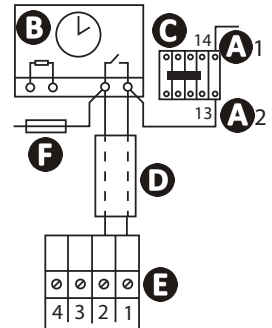


### Connexion de l'alimentation électrique

ALIMENTATION ÉLECTRIQUE CA  
220-240 V  
MONOPHASÉE 50 Hz

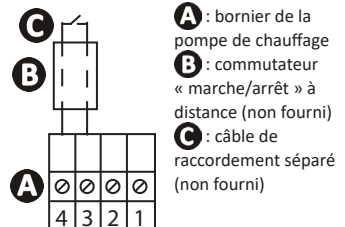
fusible retardé

### Connexion de la priorité chauffage



- A1 - A2** : alimentation pour la bobine contacteur de la pompe de filtration
- B** : minuteur de filtration
- C** : contacteur (tripolaire ou bipolaire) pour la pompe de filtration
- D** : câble séparé pour la fonction « priorité chauffage » (non fourni)
- E** : bornier de la pompe de chauffage
- F** : fusible

### Connexion « MARCHÉ/ARRÊT » à distance

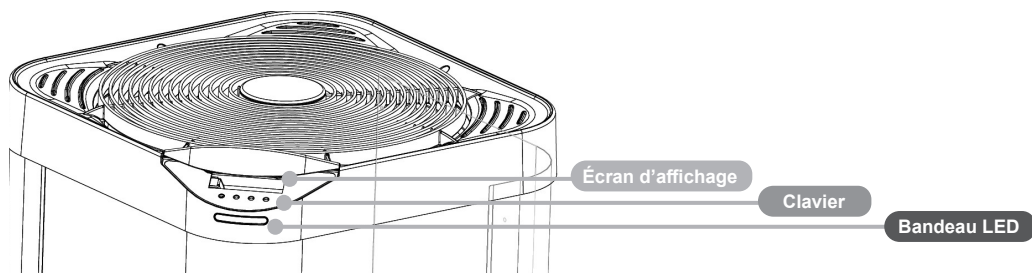


- A** : bornier de la pompe de chauffage
- B** : commutateur « marche/arrêt » à distance (non fourni)
- C** : câble de raccordement séparé (non fourni)

### Câblage et protection des câbles

Modèle	Alimentation électrique	Intensité max	Diamètre du câble*	Protection magnétique thermique
MD4	220 - 240 V 1 phase 50 Hz	9,1	<ul style="list-style-type: none"> <li>• Type H07RN-F</li> <li>• Diamètre : entre 13 et 18 mm</li> <li>• Section min. du câble : - pour le câble d'alimentation : 3x2,5mm<sup>2</sup></li> <li>- pour le câble des accessoires : 2x0,75mm<sup>2</sup></li> </ul>	<b>Courbe C ou D</b> 30 mA
MD5		10,8		
MD6		13,5		





## Écran d'affichage



## 3 modes :

- BOOST
- SMART
- SILENCE

Température de l'eau mesurée

**Bandeau LED** (allumé par défaut)  
 Pour l'éteindre, voir page 4

## Vert - « Chauffage »

- La pompe à chaleur chauffe l'eau
- Le point de consigne de la température est atteint

## Bleu - « Refroidissement »

- La pompe à chaleur refroidit l'eau

## Rouge - « Erreur »

- Voir le manuel en ligne

## Clavier



- Changement de mode
- Accès au menu (appuyer et maintenir)
- Validation (confirmer)



- Navigation
- Réglage des valeurs



- ON / OFF (appuyer et maintenir)
- Retour

## Voyants lumineux

	Fixe	Clignotant	Éteint
	Clavier verrouillé	-	Clavier déverrouillé
	Débit d'eau correct	Débit d'eau trop faible ou absent	-
	Indique le mode sélectionné	-	-
	-	Température de l'air en dehors de la plage de fonctionnement	Température de l'air dans la plage de fonctionnement
°C °F	Unité de température sélectionnée	-	-
	Wi-Fi connecté	Appairage Wi-Fi en cours	Wi-Fi Non connecté



### Verrouiller/déverrouiller le clavier



3 secondes



### Définir le verrouillage automatique (activé par défaut)



Appuyer et maintenir



Jusqu'à « P19 »



Confirmer



ON (activé) ou OFF (désactivé)



Confirmer



### Régler le point de consigne de température



Appuyer depuis l'écran principal pour régler la valeur



Augmenter ou diminuer la température



Confirmer (automatique si plus de 30 secondes d'inactivité)

Température recommandée : 28 °C  
Température max. : 32 °C



### Activer/désactiver le mode Refroidissement (désactivé par défaut)

L'activation du mode Refroidissement est validée par 3 clignotements bleus successifs.



Appuyer longuement jusqu'à ce que l'écran affiche « COOL »



Confirmer



ON (activé) ou OFF (désactivé)



Confirmer



### Sélectionner les modes de chauffage

La pompe à chaleur dispose de 3 modes de fonctionnement actifs pour adapter sa vitesse de fonctionnement à la puissance requise et au mode sélectionné :

- mode « BOOST »
- mode « SMART »
- mode « SILENCE »



Appuyer depuis l'écran principal : l'indicateur ► s'arrête devant l'un des 3 modes



### Désactiver le bandeau LED (allumé par défaut)



Appuyer et maintenir depuis l'écran principal : l'écran affiche « COOL »



l'écran affiche « LED »



Confirmer



ON (activé) ou OFF (désactivé)



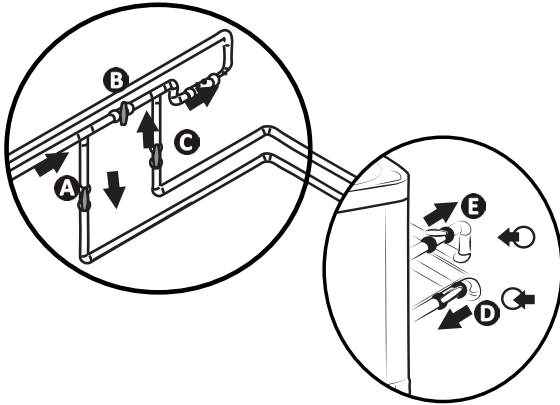
Confirmer




Consulter le manuel en ligne pour plus de détails sur les modes de fonctionnement et le comportement du bandeau LED.



## Ouvrir le circuit hydraulique

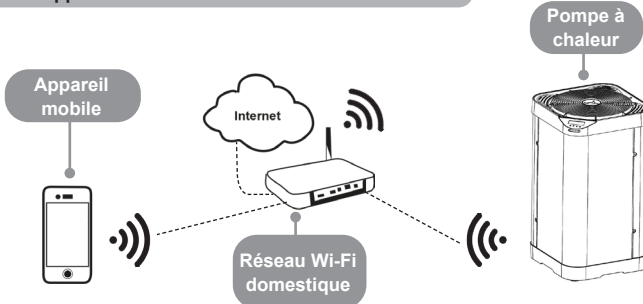


**ATTENTION :** Un réglage incorrect du bypass peut entraîner un dysfonctionnement de la pompe à chaleur.

- Fermer progressivement la vanne B.
- Ouvrir complètement les vannes A, C et D. Ouvrir la vanne E à moitié (l'air accumulé dans le condenseur et le circuit de filtration sera purgé). Si les vannes D et E ne sont pas présentes, ouvrir la vanne A entièrement et fermer la vanne C à moitié.
- Brancher l'alimentation électrique sur la pompe à chaleur.
- Si la pompe à chaleur est en veille, appuyer sur  pendant 3 secondes : l'écran d'accueil apparaît pendant 4 secondes puis l'écran principal s'affiche. Un minuteur de 2 minutes démarre.
- Régler la température souhaitée.



## Revenir à l'application Fluidra Pool



La pompe à chaleur peut être contrôlée à distance depuis un smartphone ou une tablette, via l'application Fluidra Pool disponible pour les systèmes iOS et Android. Avant de se connecter à l'application Fluidra Pool, veiller à :

- Utiliser un smartphone ou une tablette compatible Wi-Fi.
- Utiliser un réseau Wi-Fi avec un signal raisonnablement fort lors de la connexion à la pompe à chaleur : le signal Wi-Fi doit être détectable à l'endroit où l'appareil est utilisé. Si ce n'est pas le cas, une solution technique doit être fournie pour amplifier le signal existant.
- Rester à proximité de l'appareil et préparer le mot de passe du réseau Wi-Fi domestique.

Télécharger l'application Fluidra Pool



L'écran affiche « bLE »

Ouvrir l'application et suivre les étapes décrites dans l'app pour ajouter la pompe à chaleur.



### Hivernage

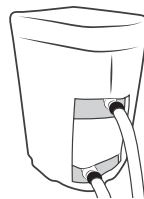


Appuyer et maintenir pour éteindre l'appareil

Débrancher l'alimentation électrique

Fermer les vannes A et C et ouvrir les vannes D et E (le cas échéant)

Vidanger l'eau du condenseur pour éviter tout risque de gel



Mettre la micro-couverture d'hivernage aérée

- En cas d'hivernage complet de la piscine (arrêt complet du système de filtration, purge du circuit de filtration ou vidange de la piscine) : remonter les deux connecteurs avec un tour pour éviter toute pénétration de corps étrangers dans le condenseur.
- En cas d'hivernage de la pompe à chaleur seule (arrêt du chauffage seul, la filtration continue de fonctionner) : ne pas serrer les connecteurs mais ajouter 2 bouchons (fournis) sur les entrées et sorties d'eau du condenseur.
- Mettre la micro-couverture d'hivernage aérée (fournie) sur la pompe à chaleur en faisant passer les connexions hydrauliques par l'ouverture prévue à cet effet. Il n'est pas nécessaire de déconnecter les connexions hydrauliques et électriques.



- **L'hivernage est essentiel pour éviter toute rupture du condenseur à cause du gel (le gel sans hivernage n'est pas couvert par la garantie).**
- Pour éviter d'endommager l'appareil avec la condensation, ne pas le couvrir entièrement et utiliser le caisson d'hivernage fourni.



### Maintenance

- S'assurer que la grille de ventilation n'est pas obstruée par des corps étrangers.
- Nettoyer l'évaporateur à l'aide d'une brosse douce et d'un jet d'eau fraîche (débrancher le câble d'alimentation).
- Nettoyer la conduite d'évacuation des condensats pour éliminer les impuretés qui pourraient l'obstruer.
- S'assurer que la grille de ventilation du boîtier de commutation est propre.
- Ne pas utiliser de jet à haute pression. Ne pas pulvériser d'eau de pluie, d'eau salée ou d'eau chargée de minéraux.
- Nettoyer l'extérieur de l'appareil ; ne pas utiliser de produits à base de solvants. Vous pouvez utiliser un kit de nettoyage spécifique comme accessoire : le PAC NET.




- **Ne pas débrancher l'alimentation électrique lorsque l'appareil est en marche. Si l'alimentation électrique est interrompue, attendre une minute avant de rétablir le courant vers l'appareil.**
- Avant toute opération de maintenance, de dépannage ou de réparation, il est recommandé de désactiver la connexion Wi-Fi du modem pour éviter tout risque de contrôle à distance de l'appareil.
- Il est recommandé de réaliser un entretien général de l'appareil au moins une fois par an afin de garantir son bon fonctionnement, de maintenir les niveaux de performance et éventuellement d'éviter certaines défaillances. Ces opérations sont effectuées aux frais de l'utilisateur par un technicien.



Consulter le manuel en ligne pour plus de détails sur les consignes de sécurité relatives au réfrigérant R32 et sur les tâches de maintenance qui doivent être effectuées par un technicien qualifié.



- Avant de contacter le revendeur, effectuer ces quelques contrôles simples en cas de problème. Si le problème n'est pas résolu, contacter votre revendeur.
-  : Les actions doivent être effectuées par un technicien qualifié uniquement.

### Comportement de l'appareil

L'appareil ne commence pas à chauffer immédiatement	<ul style="list-style-type: none"> <li>• Lorsque le débit d'eau est nul ou insuffisant, l'appareil s'arrête : vérifier que l'eau circule correctement dans l'appareil et que les connexions hydrauliques sont correctes.</li> <li>• L'appareil s'arrête lorsque la température extérieure descend en dessous de -7 °C.</li> </ul>
L'appareil rejette de l'eau	<ul style="list-style-type: none"> <li>• Pour vérifier que l'eau ne provient pas d'une fuite dans le circuit de la piscine sur l'appareil, l'éteindre et faire fonctionner la pompe de filtrage pour faire circuler l'eau dans l'appareil. Si l'eau continue à s'écouler par les conduites d'évacuation des condensats, il y a une fuite d'eau dans l'appareil : contacter votre revendeur.</li> </ul>
L'évaporateur est gelé	<ul style="list-style-type: none"> <li>• L'appareil va bientôt passer au cycle de dégivrage pour faire fondre la glace.</li> <li>• Si l'appareil ne parvient pas à dégivrer son évaporateur, il s'arrête de lui-même ; cela signifie que la température extérieure est trop basse (inférieure à - °C).</li> </ul>
L'appareil est « fumant »	<ul style="list-style-type: none"> <li>• Si l'appareil n'est pas dans son cycle de dégivrage, ce n'est pas normal. Éteindre et débrancher immédiatement l'appareil et contacter votre revendeur.</li> </ul>
L'appareil ne fonctionne pas	<ul style="list-style-type: none"> <li>•  S'il n'y a pas d'affichage, vérifier la tension d'alimentation et le fusible F1.</li> <li>• Lorsque le débit d'eau est nul ou insuffisant, l'appareil s'arrête : vérifier que l'eau circule correctement dans l'appareil.</li> </ul>
Le ventilateur fonctionne mais le compresseur s'arrête de temps en temps sans message d'erreur	<ul style="list-style-type: none"> <li>• Si la température extérieure est basse, l'appareil effectue des cycles de dégivrage.</li> <li>• L'appareil ne parvient pas à capter suffisamment de calories car son évaporateur est encrassé. Le nettoyer pour rétablir ses performances.</li> </ul>
L'appareil fonctionne mais la température de l'eau n'augmente pas	<ul style="list-style-type: none"> <li>• Le mode de fonctionnement n'est pas assez puissant (appareil en mode « SILENCE » ou « SMART »). Passer en mode « BOOST » et régler la filtration sur 24/24 manuel pendant que la température augmente.</li> <li>• Vérifier que la vanne de remplissage automatique n'est pas bloquée en position ouverte ; ceci continue à alimenter la piscine en eau froide et empêche la température d'augmenter.</li> <li>• Il y a trop de pertes de chaleur car l'air est frais. Installer une couverture isolée thermiquement sur la piscine.</li> <li>• L'appareil ne parvient pas à capter suffisamment de calories car son évaporateur est encrassé. Le nettoyer pour rétablir ses performances.</li> <li>•  Vérifier que l'appareil est de la bonne taille pour cette piscine et son environnement.</li> </ul>
L'appareil déclenche le disjoncteur	<ul style="list-style-type: none"> <li>•  Vérifier que le disjoncteur est correctement dimensionné et que la section de câble utilisée est correcte.</li> <li>•  La tension d'alimentation est trop faible ; contacter votre fournisseur d'électricité.</li> </ul>



Consulter le manuel en ligne pour plus de détails sur l'affichage des codes d'erreur, sur le comportement des LED sur la carte de circuit imprimé et sur les schémas de câblage.



Performances : air à 28 °C / eau à 28 °C / humidité à 80 %

		MD4	MD5	MD6
Puissance de sortie (vitesse max-min)	kW	11 - 3,1	14 - 4,4	16 - 4,7
Puissance consommée (vitesse max-min)	kW	1,9 - 0,3	2,6 - 0,5	3,2 - 0,5
CdP moyen (vitesse max-min)		5,8 - 10,3	5,4 - 8,8	5 - 9,4

## Spécifications techniques

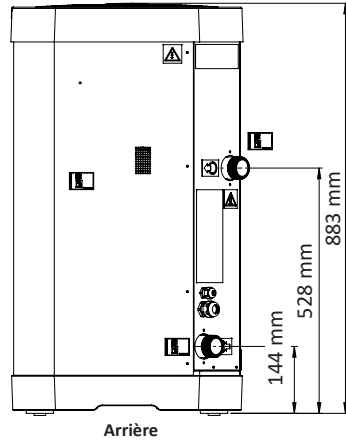
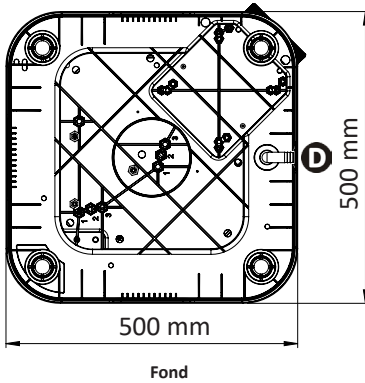
Température de fonctionnement	Air	En mode « chauffage » : de -7 à 35 °C En mode « refroidissement » : de 10 à 35 °C
	Eau	de 15 à 32 °C
Pression de fonctionnement	Réfrigérant	de 2 à 42 bar (de 0,2 à 4,2 MPa)
	Eau	de 0 à 2 bar (de 0 à 0,2 MPa)
Alimentation électrique		220 - 240 V ~ / 1 phase / 50 Hz
Variation de tension admissible		± 6 % (pendant le fonctionnement)
Connexions hydrauliques		2 raccords PVC Ø 40 2 réductions PVC Ø 40/50 2 raccords PVC 45° Ø 50
Type de fluide de refroidissement		R32
Indice de protection		IP24
Bandes de fréquence	GHz	2,400 - 2,497
Puissance d'émission de radiofréquences	dBm	+19,5
Lieu d'installation		Intérieur/extérieur

## Spécifications techniques

		MD4	MD5	MD6
Besoin en courant électrique nominal	A	8	10,1	12,3
Besoin en courant électrique maximal	A	9,0	12,3	15,9
Section minimale du câble*	mm <sup>2</sup>	3x2.5	3x2.5	3x2.5
Puissance sonore (max-min)	db(A)	70 - 64	71 - 63	73 - 65
Pression sonore à 10 m (max-min)	db(A)	39 - 33	40 - 32	42 - 34
Débit d'eau recommandé	m <sup>3</sup> /h	3,4	4,2	5
Charge de fluide de refroidissement	kg	0,7	0,85	0,95
	Équiv. Tonne de CO2	0,47	0,57	0,64
Poids approximatif	kg	41	46	47

\* Valeurs données à titre indicatif pour une longueur maximale de 20 mètres (base de calcul : NFC15-100), doivent être vérifiés et adaptés aux conditions de l'installation et aux normes du pays d'installation.

## Dimensions



**A**

Porte d'accès technique

**B**

Entrée d'eau de la piscine

**C**

Sortie d'eau de la piscine

**D**

Vidange des condensats

## 9

### Symboles des schémas de câblage



4.4 Schémas de câblage

Symbole	Description	Symbole	Description
A1	Carte de régulation électronique	FS	Commutateur de débit
A2	Tableau d'affichage (IHM)	V1 - V2	Varistance
A4	Carte électronique du compresseur	G/Y	Vert/Jaune
CM	Compresseur	BLK	Noir
EEV	Vanne d'expansion électronique	BLU	Bleu
F1 - F2	Fusible	BRN	Marron
FAN	Moteur du ventilateur	ORG	Orange
HP	Commutateur haute pression	PNK	Rose
ST1	Sonde de température d'entrée d'eau	RED	Rouge
ST2	Capteur de température de l'air ambiant	GRY	Gris
ST3	Capteur de température de la bobine	BLK	Noir
ST4	Capteur de température de la conduite de liquide	VLT	Violet
ST5	Capteur de température de vidange	WHT	Blanc
4WV	Vanne à 4 voies	YEL	Jaune



Consulter ce tableau pour lire l'étiquette des schémas de câblage située au dos du boîtier électrique. Les schémas de câblage sont également disponibles dans le manuel en ligne.



## WARNUNGEN



Dieses Handbuch enthält nur grundlegende Informationen über die Sicherheitsmaßnahmen, die bei der Installation, Wartung und Inbetriebnahme zu ergreifen sind. Das vollständige Handbuch kann auf folgender Website gelesen und als PDF-Datei heruntergeladen werden: [www.zodiac.com](http://www.zodiac.com). Montage-, Elektroinstallations- und Wartungsarbeiten müssen von qualifiziertem, autorisiertem Personal durchgeführt werden, das diese Anleitung aufmerksam und vollständig gelesen hat. Wir behalten uns das Recht vor, die Eigenschaften unserer Produkte oder den Inhalt dieses Dokuments ohne vorherige Ankündigung ganz oder teilweise zu ändern.



### ! ALLGEMEINE WARNUNGEN

- Das Gerät ist für den Einsatz in Pools und Spas bestimmt. Es darf ausschließlich für den bestimmungsgemäßen Zweck verwendet werden.
- Die Nichtbeachtung der Warnhinweise kann zu schweren Schäden an der Pooltechnik sowie zu schweren Verletzungen bis hin zum Tod führen.
- Dieses Gerät ist nicht für die Verwendung durch Personen (einschließlich Kindern) mit eingeschränkten körperlichen, sensorischen oder geistigen Fähigkeiten oder ohne ausreichende Erfahrung und Kenntnis geeignet, es sei denn, sie werden durch eine für ihre Sicherheit verantwortliche Person beaufsichtigt und unterwiesen. Kinder müssen beaufsichtigt werden, um sicherzustellen, dass sie nicht mit dem Gerät spielen.
- Dieses Gerät kann von Kindern ab 8 Jahren und Personen mit eingeschränkten körperlichen, sensorischen oder geistigen Fähigkeiten oder ohne ausreichende Erfahrung und Kenntnis verwendet werden, wenn sie in sicherer Weise beaufsichtigt oder unterwiesen wurden und die damit verbundenen Gefahren verstehen. Kinder dürfen nicht mit dem Gerät spielen. Reinigung und Pflege dürfen nicht von unbeaufsichtigten Kindern durchgeführt werden.
- Die Installation des Geräts muss gemäß den Anweisungen des Herstellers und in Übereinstimmung mit den lokalen und nationalen Vorschriften erfolgen.
- Unsere Produkte dürfen nur in Schwimmbecken montiert und installiert werden, die den Normen IEC/HD 60364-7-702 und den geltenden nationalen Vorschriften entsprechen. Die Installation muss der Norm IEC/HD 60364-7-702 und den geltenden nationalen Vorschriften für Schwimmbecken entsprechen. Weitere Informationen erhalten Sie von Ihrem Händler vor Ort.

### ! WARNUNGEN IN BEZUG AUF ELEKTRISCHE GERÄTE

- Die Stromversorgung des Geräts muss durch einen speziellen Fehlerstromschutzschalter mit 30 mA geschützt sein, der den geltenden Normen und Vorschriften des Landes entspricht, in dem das Gerät installiert wird.
- Das Gerät verfügt nicht über einen elektrischen Schalter zum Trennen der Stromversorgung; es muss eine festverdrahtete Vorrichtung zum Trennen der Stromversorgung mindestens gemäß OVC III eingebaut werden, die den geltenden nationalen Vorschriften entspricht.
- Wenn das Netzkabel beschädigt ist, darf es nur durch den Hersteller, einen autorisierten Vertreter oder eine Reparaturwerkstatt ersetzt werden.

### ! WARNUNGEN FÜR GERÄTE, DIE DAS KÄLTEMITTEL R32 ENTHALTEN



- Dieses Gerät enthält das Kältemittel R32, ein Kältemittel der Sicherheitsgruppe A2L, das als potentiell entflammbar gilt.
- R32 nicht in die Atmosphäre entweichen lassen. Es handelt sich um ein fluoriertes Treibhausgas, das unter das Kyoto-Protokoll fällt und ein Treibhauspotential (Global Warming Potential, GWP) von 675 aufweist (Verordnung (EU) 517/2014).
- Um die anwendbaren Umwelt- und Installationsnormen und -vorschriften einzuhalten, insbesondere den französischen Erlass Nr. 2015-1790 und/oder die Verordnung (EU) 517/2014, muss bei Erstinbetriebnahme des Geräts und mindestens einmal jährlich eine Dichtheitsprüfung des Kühlkreislaufs durchgeführt werden. Dieser Vorgang muss von einer Fachkraft durchgeführt werden, die für die Prüfung von Kühlgeräten zertifiziert ist.
- Das Gerät muss in einem Raum gelagert werden, in dem sich keine ständig in Betrieb befindlichen Zündquellen befinden (z. B. offenes Feuer, ein in Betrieb befindliches Gasgerät oder ein in Betrieb befindliches elektrisches Heizgerät).
- Weitere Informationen sind in den Sicherheitshinweisen für R32-haltige Geräte in der erweiterten Fassung des Handbuchs zu finden. Dort sind folgende Themen aufgeführt: Überprüfung des Bereichs, Arbeitsverfahren, allgemeiner Arbeitsbereich, Überprüfung auf das Vorhandensein von Kältemittel, Verfügbarkeit eines Feuerlöschers, keine Zündquellen, Belüftung des Bereichs, Überprüfung der Kältemittelausrüstung, Überprüfung der elektrischen Komponenten, Reparatur von isolierten Komponenten, Reparatur von eigensicheren Komponenten, Verkabelung, Erkennung von entflammbarem Kältemittel, Entfernung und Entleerung, Befüllungsverfahren und Demontage.

### ! INSTALLATION UND WARTUNG

- Nur eine in den betreffenden technischen Bereichen (Elektrik, Hydraulik oder Kältetechnik) qualifizierte Person ist befugt, Installations-, Wartungs- oder Reparaturarbeiten an dem Gerät durchzuführen.
- Das Gerät darf nicht in der Nähe von brennbaren Materialien oder einer Luftansaugöffnung eines angrenzenden Gebäudes aufgestellt werden.
- Bei der Wartung des Geräts müssen die Zusammensetzung und der Zustand des Wärmeträgermediums überprüft werden, außerdem ist sicherzustellen, dass keine Spuren von Kühlmittel vorhanden sind.
- Bei der jährlichen Dichtheitsprüfung des Geräts gemäß den geltenden Rechtsvorschriften sind der Hoch- und der Niederdruckschalter zu überprüfen, um sicherzustellen, dass sie sicher an den Kühlkreislauf angeschlossen sind und bei Auslösung den Stromkreislauf unterbrechen.
- Bei der Wartung ist zu überprüfen, dass sich keine Korrosions- oder Ölsuren im Bereich der Kühlkomponenten befinden.
- Vor der Durchführung von Arbeiten am Kühlkreislauf Gerät ausschalten und einige Minuten warten, bevor Temperatur- und Drucksensoren angebracht werden. Einige Elemente wie der Kompressor und die Rohrleitungen können Temperaturen von über 100 °C erreichen und mit hohem Druck beaufschlagt sein, was zu schweren Verbrennungen führen kann.





## WARNUNGEN



### VORGABEN IN BEZUG AUF DAS KÄLTEMITTEL

#### Überprüfung des Bereichs

- Dieses Gerät enthält das Kältemittel R32, ein Kältemittel der Sicherheitsgruppe A2L, das als potentiell entflammbar gilt.
- R32 nicht in die Atmosphäre entweichen lassen. Es handelt sich um ein fluoriertes Treibhausgas, das unter das Kyoto-Protokoll fällt und ein Treibhauspotenzial (Global Warming Potential, GWP) von 675 aufweist (Verordnung (EU) 517/2014).
- Um die anwendbaren Umwelt- und Installationsnormen und -vorschriften einzuhalten, insbesondere den französischen Erlass Nr. 2015-1790 und/oder die Verordnung (EU) 517/2014, muss bei Erstinbetriebnahme des Geräts und mindestens einmal jährlich eine Dichtheitsprüfung des Kühlkreislaufs durchgeführt werden. Dieser Vorgang muss von einer Fachkraft durchgeführt werden, die für die Prüfung von Kühlgeräten zertifiziert ist.
- Das Gerät muss in einem Raum gelagert werden, in dem sich keine ständig in Betrieb befindlichen Zündquellen befinden (z. B. offenes Feuer, ein in Betrieb befindliches Gasgerät oder ein in Betrieb befindliches elektrisches Heizgerät).
- Weitere Informationen sind in den Sicherheitshinweisen für R32-haltige Geräte in der erweiterten Fassung des Handbuchs zu finden. Dort sind folgende Themen aufgeführt: Überprüfung des Bereichs, Arbeitsverfahren, allgemeiner Arbeitsbereich, Überprüfung auf das Vorhandensein von Kältemittel, Verfügbarkeit eines Feuerlöschers, keine Zündquellen, Belüftung des Bereichs, Überprüfung der Kältemittelausrüstung, Überprüfung der elektrischen Komponenten, Reparatur von isolierten Komponenten, Reparatur von eigensicheren Komponenten, Verkabelung, Erkennung von entflammbarem Kältemittel, Entfernung und Entleerung, Befüllungsverfahren und Demontage.

#### Arbeitsverfahren

- Die Arbeiten müssen nach einem kontrollierten Verfahren durchgeführt werden, um das Risiko des Vorhandenseins von brennbaren Gasen oder Dämpfen während der Arbeiten zu minimieren.

#### Allgemeiner Arbeitsbereich

- Das gesamte Wartungspersonal und andere Personen, die in diesem Bereich arbeiten, müssen über die Art der durchzuführenden Arbeiten unterrichtet werden. Arbeiten in beengten Räumen sind zu vermeiden.

#### Überprüfung auf das Vorhandensein von Kältemittel

- Der Bereich muss vor und während der Arbeiten mit einem geeigneten Kältemitteldetektor überprüft werden, um sicherzustellen, dass der Techniker von einer potenziell toxischen oder entflammbaren Atmosphäre weiß. Das verwendete Lecksuchgerät muss für alle anwendbaren Kältemittel geeignet sein, d. h. nicht funksenprühend, ausreichend abgedichtet und eigensicher.

#### Verfügbarkeit eines Feuerlöschers

- Wenn an der Kältemaschine oder zugehörigen Komponenten Arbeiten mit Wärmeinwirkung durchgeführt werden, müssen geeignete Feuerlöschgeräte zur Verfügung stehen. Halten Sie einen Trockenpulver- oder CO<sub>2</sub>-Feuerlöscher in der Nähe des Ladebereichs bereit.

#### Keine Zündquellen

- Bei Arbeiten an einer Kühlanlage, bei denen Rohrleitungen freigelegt werden müssen, dürfen keine Zündquellen verwendet werden, die zu einer Brand- oder Explosionsgefahr führen können. Alle potenziellen Zündquellen, darunter fällt auch das Rauchen von Zigaretten, sind ausreichend weit von dem Ort fern zu halten, an dem Installation, Reparatur, Ausbau und Entsorgung durchgeführt werden, wobei möglicherweise Kältemittel in die Umgebung freigesetzt werden kann. Vor Beginn der Arbeiten ist der Bereich um das Gerät herum zu überprüfen, um sicherzustellen, dass keine Brand- oder Zündgefahren bestehen. Es sind Rauchverbotschilder anzubringen.

#### Belüftung des Bereichs

- Vor der Durchführung der erforderlichen Wartungsarbeiten ist sicherzustellen, dass der Bereich offen und ausreichend belüftet ist. Während der Durchführung von Wartungsarbeiten am Gerät muss eine ausreichende Belüftung gewährleistet sein, damit unbeabsichtigt in die Atmosphäre freigesetztes Kältemittel sicher abgeleitet werden kann.



### INFORMATIONEN ZUM RECYCLING

- Informationen zum Recycling erhalten Sie bei Ihrem Händler.

### PRODUKTINFORMATIONEN FÜR FUNKANLAGEN (gemäß RED-Richtlinie)

#### Konformitätserklärung

Hiermit erklärt Zodiac, dass die Funkanlage des Typs Z350iQ mit der Richtlinie 2014/53/EU konform ist. Der vollständige Text der EU-Konformitätserklärung ist unter folgender Adresse zu finden: <https://www.zodiac-poolcare.com/>.

# 1 Installation des Geräts

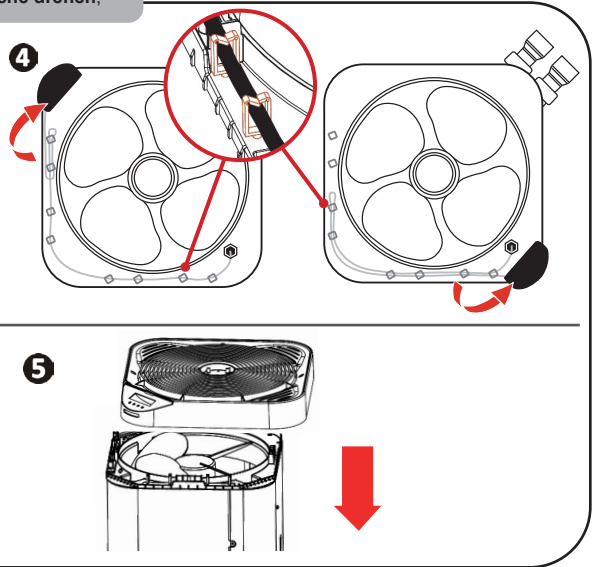
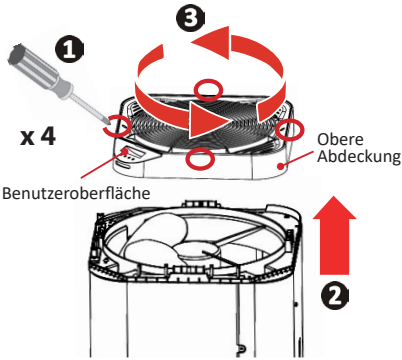


1 Installation

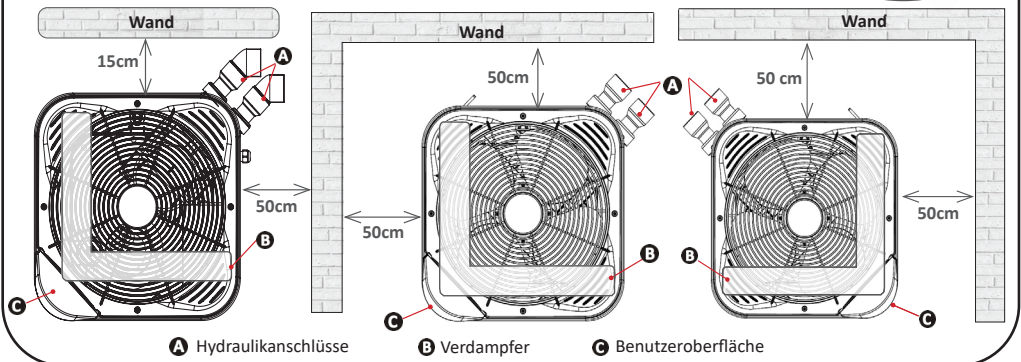
**Obere Abdeckung und Benutzeroberfläche drehen, falls erforderlich**



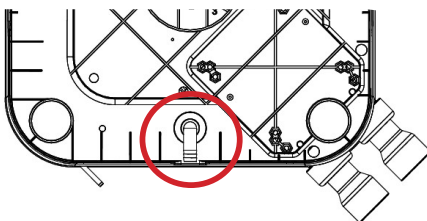
**VORSICHT:** Die Display-Platine (unter dem Display) ist über ein Kabel mit der Steuerplatine im Inneren des Geräts verbunden. Bei der Handhabung der oberen Abdeckung vorsichtig vorgehen, um dieses Kabel nicht zu beschädigen.



**Wahl des Standorts und der Hydraulikanschlüsse, die am besten zur Installationskonfiguration passen**



**Kondensatablauf** Ein Rohr mit  $\text{Ø}18\text{ mm}$  am genuteten Winkelrohr anschließen, das unter dem Boden des Geräts zu montieren ist.



Weitere Einzelheiten zu Installationsvorkehrungen und Hydraulikanschlüssen sind im Online-Handbuch zu finden.

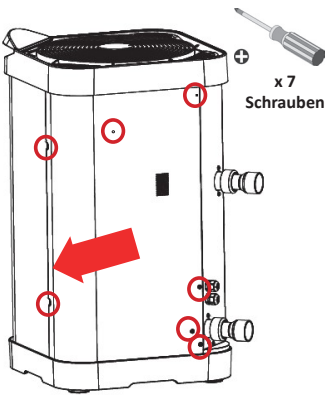


- Stromzufuhr trennen, bevor Arbeiten im Inneren des Geräts durchgeführt werden (Stromschlaggefahr). Bei der Trennung der Stromzufuhr ist darauf zu achten, dass von jedem potenziellen Arbeitsort aus überprüft werden kann, dass die Stromzufuhr getrennt bleibt. Wenn das nicht möglich ist, sollte die Stromzufuhr mit einer Verriegelung gegen Wiedereinschalten gesichert werden.
- Nur qualifizierte und erfahrene Techniker sind befugt, Arbeiten an der Verkabelung des Geräts vorzunehmen oder das Netzkabel auszutauschen.
- Es ist sicherzustellen, dass die Klemmschrauben fest angezogen sind (Brandgefahr). Nicht ordnungsgemäß angezogene Klemmschrauben führen zum Erlöschen der Gewährleistung.
- Stromzufuhr nicht unterbrechen, wenn das Gerät in Betrieb ist. Bei einer Unterbrechung der Stromversorgung muss eine Minute gewartet werden, bevor der Strom wieder eingeschaltet wird.

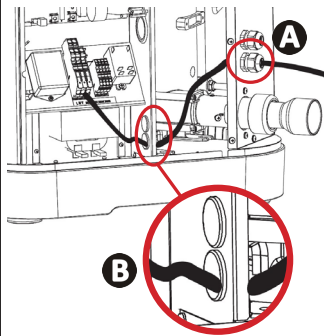


## Anschließen des Geräts an die Stromversorgung und an Optionen

## 1 Lösen und abnehmen.

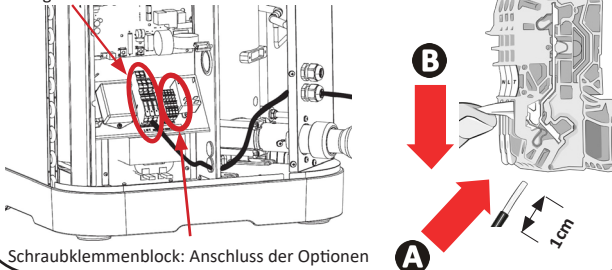


## 2 Netzkabel durchführen.



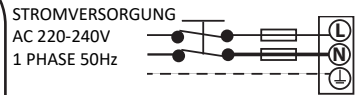
## 3 Netzkabel anschließen. Zum Anschluss von Optionen: Die Kabel nicht durch dieselbe Kabeldurchführung führen wie das Netzkabel.

Zugfederklemmenblock: Anschluss des Netzkabels



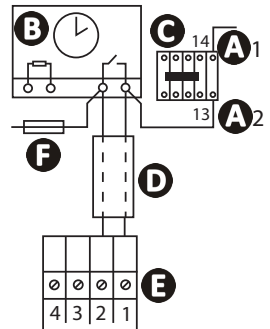
Schraubklemmenblock: Anschluss der Optionen

## Anschluss an die Stromversorgung



— träge Sicherung

## Anschluss Heizungsriorität



A1 - A2: Schützspule der Filterpumpe

B: Zeitschaltuhr für die Filtration

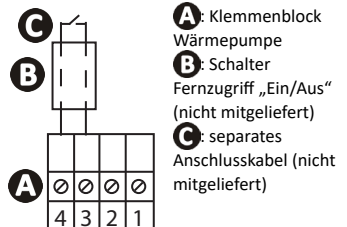
C: Lastschütz (drei- oder zweipolig für Filterpumpe)

D: separates Kabel für die Funktion „Heizungspriorität“ (nicht mitgeliefert)

E: Klemmenblock Wärmepumpe

F: Sicherung

## Anschluss Fernzugriff „EIN/AUS“



A: Klemmenblock Wärmepumpe

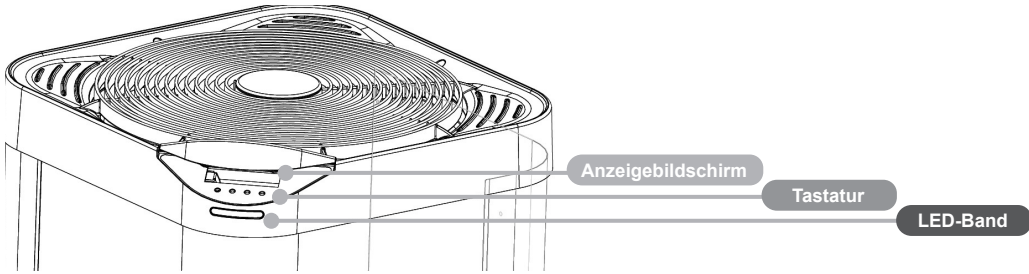
B: Schalter Fernzugriff „Ein/Aus“ (nicht mitgeliefert)

C: separates Anschlusskabel (nicht mitgeliefert)

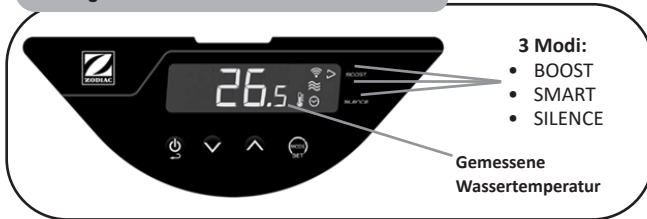
## Verdrahtung und Schutz

Modell	Stromzufuhr	Max. Strom	Kabeldurchmesser*	Thermisch-magnetischer Schutz
MD4	220 - 240V 1-phasig 50 Hz	9,1	<ul style="list-style-type: none"> <li>• Typ H07RN-F</li> <li>• Durchmesser: zwischen 13 und 18 mm</li> <li>• Min. Kabelquerschnitt: - Stromversorgungskabel: 3 x 2,5 mm<sup>2</sup></li> <li>- Optionskabel: 2 x 0,75 mm<sup>2</sup></li> </ul>	Kurve C oder D 30 mA
MD5		10,8		
MD6		13,5		

\*Kabelquerschnitt geeignet für max. 20 Meter Länge.



Anzeigebildschirm



3 Modi:

- BOOST
- SMART
- SILENCE

Gemessene Wassertemperatur

LED-Band

(standardmäßig beleuchtet)  
Ausschalten siehe S. 4

Grün - „Heizen“

- Die Wärmepumpe heizt das Wasser auf
- Temperatur-Sollwert erreicht

Blau - „Kühlen“

- Die Wärmepumpe kühlt das Wasser ab

Rot - „Fehler“

- Siehe Online-Handbuch

Tastatur



- Modus wechseln
- Menü öffnen (drücken und halten)
- Auswahl bestätigen



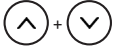
- Blättern
- Werte einstellen



- AN / AUS (drücken und halten)
- Zurück

Kontrollleuchten

	An	Blinkend	Aus
	Tastatur gesperrt	-	Tastatur aktiv
	Wasserdurchsatz OK	Wasserdurchsatz zu gering oder Null	-
	Zeigt den gewählten Modus an	-	-
	-	Lufttemperatur außerhalb des zulässigen Bereichs	Lufttemperatur im zulässigen Bereich
°C °F	Gewählte Temperatureinheit	-	-
	WLAN-Verbindung vorhanden	WLAN-Verbindung wird hergestellt	Keine WLAN-Verbindung vorhanden

**Tastatur sperren/entsperren**

3 Sekunden

**Automatische Tastensperre einstellen** (standardmäßig aktiviert)

Drücken und halten



Bis „P19“ erscheint



Bestätigen



AN (aktiviert) oder AUS (deaktiviert)



Bestätigen

**Temperatur-Sollwert einstellen**

Vom Hauptbildschirm aus drücken, um Wert einzustellen



Temperatur erhöhen oder absenken



Bestätigen (geschieht automatisch nach 30 Sekunden ohne Aktivität)

**Empfohlene Temperatur:** 28 °C  
**Max. Temperatur:** 32 °C**Kühlmodus aktivieren/deaktivieren** (standardmäßig deaktiviert)

Die Aktivierung des Kühlmodus wird durch dreimaliges blaues Aufblinken bestätigt.



Lange drücken, bis „COOL“ auf dem Display erscheint



Bestätigen



AN (aktiviert) oder AUS (deaktiviert)



Bestätigen

**Heizmodus auswählen**

Die Wärmepumpe verfügt über 3 aktive Betriebsmodi, die eine Anpassung der Betriebsgeschwindigkeit an die benötigte Leistung und den gewählten Modus ermöglichen:

- BOOST-Modus
- SMART-Modus
- SILENCE-Modus

Vom Hauptbildschirm aus drücken:  
Der Zeiger ► bleibt vor einem der 3 Modi stehen**LED-Band deaktivieren** (standardmäßig beleuchtet)

Vom Hauptbildschirm aus drücken und halten: auf dem Display erscheint „COOL“



auf dem Display erscheint „LED“



Bestätigen



AN (aktiviert) oder AUS (deaktiviert)



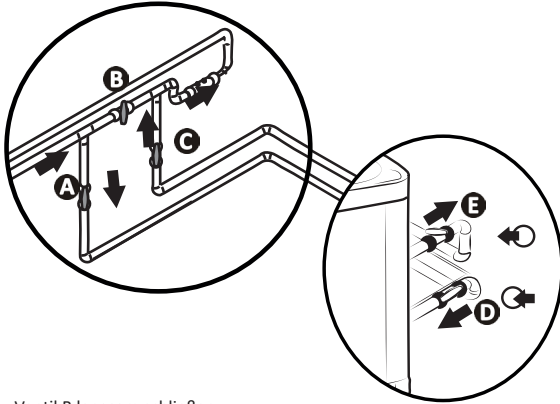
Bestätigen




Weitere Einzelheiten zu den Betriebsmodi und zum LED-Band sind im Online-Handbuch zu finden.



## Hydraulikkreis öffnen

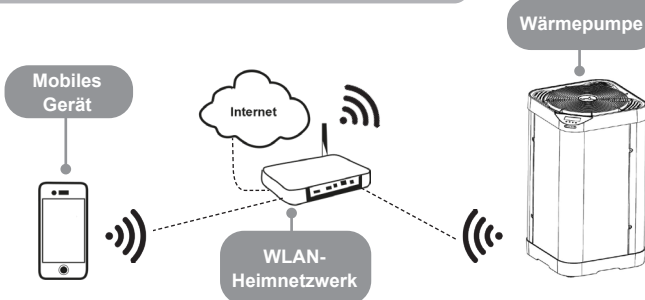


**! VORSICHT:** Eine falsche Einstellung des Bypasses kann eine Betriebsstörung der Wärmepumpe verursachen.

- Ventil B langsam schließen.
- Ventile A, C und D vollständig öffnen. Ventil E halb öffnen (die im Kondensator und im Filterkreislauf eingeschlossene Luft entweicht). Wenn die Ventile D und E nicht vorhanden sind, Ventil A vollständig öffnen und Ventil C halb schließen.
- Wärmepumpe an die Stromversorgung anschließen.
- Wenn sich die Pumpe in Standby befindet, 3 Sekunden lang die Taste  drücken. Der Startbildschirm erscheint 4 Sekunden lang, dann wird der Hauptbildschirm angezeigt. Ein 2-Minuten-Timer wird gestartet.
- Gewünschte Temperatur einstellen.



## Mit der Fluidra Pool App verbinden



Über die Fluidra Pool App kann die Wärmepumpe per Fernzugriff mit einem Smartphone oder Tablet gesteuert werden (für iOS und Android erhältlich). Vor Herstellung einer Verbindung mit der Fluidra Pool Folgendes beachten:

- WLAN-fähiges Smartphone oder Tablet verwenden.
- Das WLAN-Netzwerk muss ein ausreichend starkes Signal haben, um eine Verbindung zur Wärmepumpe herzustellen. Das WLAN-Signal muss an dem Ort empfangbar sein, an dem das Gerät eingesetzt wird. Andernfalls ist eine technische Lösung zur Verstärkung des vorhandenen Signals erforderlich.
- In die Nähe des Geräts begeben und WLAN-Passwort bereithalten.

Fluidra Pool App herunterladen



Drücken und halten

Auf dem Display erscheint „bLE“

Die App öffnen und die in der App beschriebenen Schritte befolgen, um die Wärmepumpe hinzuzufügen.



## Einwinterung

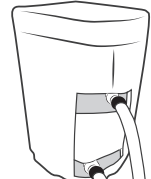


Drücken und halten, um das Gerät auszuschalten

Stromversorgung trennen

Ventile A und C schließen. Ventile D und E öffnen (falls vorhanden)

Wasser aus dem Kondensator ablassen, damit es nicht einfrieren kann



Mikrobelüftete Schutzhülle für die Einwinterung über die Wärmepumpe legen

- Im Falle einer vollständigen Einwinterung des Schwimmbeckens (vollständige Abschaltung der Filteranlage, Entleerung des Filterkreislaufs, evt. Entleerung des Schwimmbeckens): die beiden Anschlüsse wieder um eine Umdrehung anziehen, um zu verhindern, dass Fremdkörper in den Kondensator eindringen.
- Im Falle einer Einwinterung nur der Wärmepumpe (nur Abschaltung der Heizung, die Filtration läuft weiter): die Anschlüsse nicht festziehen, sondern 2 Stopfen (mitgeliefert) am Wasserzu- und -rücklauf des Kondensators anbringen.
- Die mitgelieferte mikrobelüftete Schutzhülle für die Einwinterung über die Wärmepumpe legen und die Hydraulikanschlüsse durch die dafür vorgesehene Öffnung nach oben führen. Es ist nicht notwendig, die hydraulischen und elektrischen Anschlüsse zu trennen.



- Das Einwintern ist unerlässlich, um Frostschäden am Kondensator zu vermeiden (Frostschäden aufgrund unterlassener Einwinterung fallen nicht unter die Gewährleistung).
- Um zu verhindern, dass das Gerät durch Kondensate beschädigt wird, darf es nicht luftdicht abgedeckt werden. Stattdessen die mitgelieferte Hülle für die Einwinterung verwenden.



## Wartung

- Darauf achten, dass das Lüftungsgitter nicht durch Fremdkörper verstopft wird.
- Den Verdampfer mit einem weichen Pinsel und einem klaren Wasserstrahl reinigen (Netz Kabel ausstecken).
- Die Kondensatablaufleitung reinigen, um Verunreinigungen, die es verstopfen könnten, zu entfernen.
- Sicherstellen, dass das Lüftungsgitter des Schaltkastens sauber ist.
- Keinen Hochdruckreiniger verwenden. Kein Regenwasser und kein salziges oder mineralhaltiges Wasser für die Reinigung des Gerätes verwenden.
- Gerät von außen reinigen, keine Produkte auf Basis von Lösungsmitteln verwenden. Ein spezielles Reinigungsset ist als Zubehör erhältlich: das PAC NET.




- Stromzufuhr nicht unterbrechen, wenn das Gerät in Betrieb ist. Bei einer Unterbrechung der Stromversorgung eine Minute lang warten, bevor der Strom wieder eingeschaltet wird.
- Vor der Durchführung von Wartungsarbeiten, Fehlerbehebungen oder Reparaturen wird empfohlen, die WLAN-Verbindung des Modems zu deaktivieren, um jegliches Risiko einer Fernsteuerung des Geräts zu ausschließen.
- Eine allgemeine Wartung des Geräts ist mindestens einmal pro Jahr empfehlenswert, um sicherzustellen, dass das Gerät einwandfrei funktioniert und seine Leistung aufrechterhält sowie um eventuellen Störungen vorzubeugen. Diese Arbeiten sind auf Kosten des Benutzers von einem Techniker ausführen zu lassen.







Weitere Einzelheiten zu den Sicherheitshinweisen in Bezug auf das Kältemittel R32 und zu den Wartungsarbeiten, die von einem qualifizierten Techniker durchgeführt werden müssen, sind im Online-Handbuch zu finden.



- Bevor Sie sich an den Fachhändler wenden, konsultieren Sie die folgende Tabelle. Sollte das Problem dadurch nicht gelöst werden, wenden Sie sich bitte an Ihren Fachhändler.
-  : Einem qualifizierten Techniker vorbehaltene Maßnahmen.

### Verhaltensweisen des Gerätes

Das Gerät fängt nicht sofort an zu heizen	<ul style="list-style-type: none"> <li>• Wenn der Wasserdurchsatz Null oder unzureichend ist, wird das Gerät gestoppt: Prüfen Sie, dass das Wasser korrekt im Gerät zirkuliert und dass die hydraulischen Anschlüsse korrekt ausgeführt wurden.</li> <li>• Das Gerät wird gestoppt, wenn die Außentemperatur unter <math>-7^{\circ}\text{C}</math> sinkt.</li> </ul>
Aus dem Gerät tritt Wasser aus	<ul style="list-style-type: none"> <li>• Um zu prüfen, ob das Wasser aus einer Leckage des Schwimmbeckenkreislaufs am Gerät stammt, schalten Sie das Gerät aus und lassen Sie die Filterpumpe laufen, damit das Wasser im Gerät zirkuliert. Wenn weiterhin Wasser aus dem Kondensatablauf fließt, hat das Gerät eine Leckage. Wenden Sie sich bitte an Ihren Fachhändler.</li> </ul>
Am Verdampfer hat sich Eis gebildet	<ul style="list-style-type: none"> <li>• Das Gerät wird bald einen Abtauzyklus starten, um das Eis abzutauen.</li> <li>• Wenn es das Gerät nicht schafft, den Verdampfer abzutauen, schaltet es sich automatisch aus, weil die Außentemperatur zu niedrig ist (unter <math>-7^{\circ}\text{C}</math>).</li> </ul>
Das Gerät „raucht“	<ul style="list-style-type: none"> <li>• Wenn das Gerät keinen Abtauzyklus ausführt, ist das nicht normal. Schalten Sie das Gerät unverzüglich aus, ziehen Sie den Netzstecker und wenden Sie sich an Ihren Fachhändler.</li> </ul>
Das Gerät funktioniert nicht	<ul style="list-style-type: none"> <li>•  Wenn nichts angezeigt wird, prüfen Sie die Versorgungsspannung und die Sicherung F1.</li> <li>• Wenn der Wasserdurchsatz Null oder unzureichend ist, wird das Gerät gestoppt: Prüfen Sie, dass das Wasser korrekt im Gerät zirkuliert.</li> </ul>
Der Lüfter läuft, aber der Kompressor stoppt hin und wieder ohne Fehlermeldung	<ul style="list-style-type: none"> <li>• Wenn die Außentemperatur niedrig ist, führt das Gerät Abtauzyklen durch.</li> <li>• Das Gerät schafft es nicht, genügend Wärmeenergie (Kalorien) aufzunehmen, weil sein Verdampfer verschmutzt ist. Reinigen Sie den Verdampfer, um die Leistung wiederherzustellen.</li> </ul>
Das Gerät funktioniert, aber die Wassertemperatur steigt nicht	<ul style="list-style-type: none"> <li>• Der Betriebsmodus ist nicht leistungsstark genug (Gerät ist im Betriebsmodus „SILENCE“ oder „SMART“). Wechseln Sie in die Betriebsart „BOOST“ und schalten Sie die Filterung manuell auf ganztägigen Dauerbetrieb, bis die Temperatur erreicht ist.</li> <li>• Prüfen Sie, dass das automatische Füllventil nicht in offener Stellung blockiert ist. Dadurch würde ständig kaltes Wasser ins Schwimmbecken fließen und einen Temperaturanstieg verhindern.</li> <li>• Der Wärmeverlust ist zu groß, denn die Luft ist zu kühl. Bedecken Sie das Schwimmbecken mit einer wärmeisolierenden Abdeckung.</li> <li>• Das Gerät schafft es nicht, genügend Wärmeenergie (Kalorien) aufzunehmen, weil sein Verdampfer verschmutzt ist. Reinigen Sie den Verdampfer, um die Leistung wiederherzustellen.</li> <li>•  Vergewissern Sie sich, dass das Gerät die richtige Größe für das Schwimmbecken und seine Umgebung hat.</li> </ul>
Das Gerät löst den Schutzschalter aus	<ul style="list-style-type: none"> <li>•  Prüfen Sie, ob der Schutzschalter korrekt ausgelegt ist und ob der verwendete Kabelquerschnitt korrekt ist.</li> <li>•  Die Spannung der Stromversorgung ist zu schwach. Wenden Sie sich an Ihren Stromversorger.</li> </ul>



Weitere Einzelheiten zur Anzeige von Fehlercodes, das Verhalten der LEDs auf der Platine und die Schaltpläne sind im Online-Handbuch zu finden.





Wirkungsgrad: Lufttemperatur 28 °C / Wassertemperatur 28 °C / Luftfeuchtigkeit 80 %

		MD4	MD5	MD6
Leistungsabgabe (max. - min. Drehzahl)	kW	11 - 3,1	14 - 4,4	16 - 4,7
Leistungsaufnahme (max. - min. Drehzahl)	kW	1,9 - 0,3	2,6 - 0,5	3,2 - 0,5
Durchschnittliche Leistungszahl (max. - min. Drehzahl)		5,8 - 10,3	5,4 - 8,8	5 - 9,4

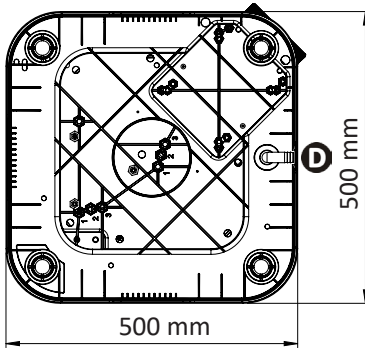
### Technische Daten

Betriebstemperatur	Luft	Im Modus „Heizen“: von -7 bis 35 °C Im Modus „Kühlen“: von 10 bis 35 °C
	Wasser	von 15 bis 32 °C
Betriebsdruck	Kältemittel	von 2 bis 42 bar (von 0,2 bis 4,2 MPa)
	Wasser	von 0 bis 2 bar (von 0 bis 0,2 MPa)
Stromversorgung		220 - 240V ~ / 1-phasig / 50 Hz
Zulässige Spannungsabweichung		± 6 % (während des Betriebs)
Hydraulikanschlüsse		2 PVC-Rohrverbindungen Ø 40 2 PVC-Reduzierstücke Ø 40/50 2 PVC-Rohrverbindungen 45° Ø 50
Kältemitteltyp		R32
Schutzart		IP24
Frequenzbänder	GHz	2,400 - 2,497
Funkfrequenz-Sendeleistung	dBm	+19,5
Installationsort		Innen/Außen

### Technische Daten

		MD4	MD5	MD6
Nominale Stromaufnahme	A	8	10,1	12,3
Maximale Stromaufnahme	A	9,0	12,3	15,9
Minimaler Kabelquerschnitt*	mm <sup>2</sup>	3x2,5	3x2,5	3x2,5
Schalleistung (max. - min.)	db(A)	70 - 64	71 - 63	73 - 65
Schalldruck in einer Entfernung von 10 m (max. - min.)	db(A)	39 - 33	40 - 32	42 - 34
Empfohlener Wasserdurchsatz	m <sup>3</sup> /h	3,4	4,2	5
Füllmenge Kältemittel	kg	0,7	0,85	0,95
	Tonne CO <sub>2</sub> -Äq.	0,47	0,57	0,64
Ungefähres Gewicht	kg	41	46	47

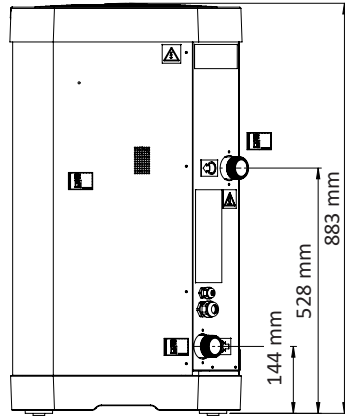
\* Richtwerte für eine maximale Länge von 20 Metern (Berechnungsgrundlage: NFC 15-100), müssen unbedingt entsprechend den Installationsbedingungen und den am Installationsort geltenden Normen geprüft und angepasst werden.



500 mm

500 mm

Unten



Rückseite

144 mm

528 mm

883 mm

**A**

Technikklappe

**B**

Beckenwassereinlauf

**C**

Beckenwasserauslauf

**D**

Kondensatablauf

9

Symbole im Schaltplan



4.4 Schaltpläne

Symbol	Beschreibung	Symbol	Beschreibung
A1	Elektronische Regelungsplatine	FS	Strömungsschalter
A2	Displayplatine (MMI)	V1 - V2	Varistor
A4	Elektronikplatine des Kompressors	G/Y	Grün/Gelb
CM	Kompressor	BLK	Schwarz
EEV	Elektronisches Expansionsventil	BLU	Blau
F1 - F2	Sicherung	BRN	Braun
FAN	Lüftermotor	ORG	Orange
HP	Hochdruckschalter	PNK	Pink
ST1	Temperatursensor Wassereinlass	RED	Rot
ST2	Temperatursensor Umgebungsluft	GRY	Grau
ST3	Temperatursensor der Spule	BLK	Schwarz
ST4	Temperatursensor Flüssigkeitsleitung	VLT	Violett
ST5	Temperatursensor Abfluss	WHT	Weiß
4WV	4-Wege-Ventil	YEL	Gelb



Anhand dieser Tabelle können Sie die Schaltpläne auf der Rückseite des Schaltkastens lesen. Die Schaltpläne sind auch im Online-Handbuch verfügbar.



## ADVERTENCIAS



Este manual contiene únicamente la información básica sobre las medidas de seguridad que se deben implementar durante la instalación, el mantenimiento y el arranque. El manual completo se puede leer y descargar como archivo PDF desde el sitio web: [www.zodiac.com](http://www.zodiac.com). Todos los trabajos de montaje, instalación eléctrica y mantenimiento deben ser realizados por personal cualificado y autorizado que haya leído atenta y completamente este manual. Nos reservamos el derecho de cambiar total o parcialmente las características de nuestros productos o el contenido de este documento sin previo aviso.



### ADVERTENCIAS GENERALES

- El aparato está destinado a ser utilizado en piscinas y spas para un fin específico; no debe utilizarse para ningún otro fin que no sea aquel para el que fue diseñado.
- El incumplimiento de las advertencias puede causar daños graves al equipo de la piscina o provocar lesiones graves, incluso la muerte.
- El equipo no está previsto para el uso por personas (incluidos los niños) con capacidades físicas, sensoriales o mentales reducidas, o con falta de experiencia y conocimientos, a menos que una persona responsable de su seguridad les proporcione supervisión e instrucciones sobre el uso del equipo. Los niños deben permanecer bajo supervisión para garantizar que no jueguen con el equipo.
- Los niños mayores de 8 años y las personas con capacidades físicas, sensoriales o mentales reducidas, o con falta de experiencia y conocimientos, pueden utilizar el equipo si se les proporciona supervisión e instrucciones sobre el uso del equipo de forma segura y comprenden los riesgos asociados. Los niños no deben jugar con el equipo. Los niños no deben realizar la limpieza ni el mantenimiento sin supervisión.
- El aparato debe instalarse de acuerdo con las instrucciones del fabricante y de conformidad con las normativas locales y nacionales.
- Nuestros productos solo se pueden ensamblar e instalar en piscinas que cumplan con los estándares IEC/HD 60364-7-702 y las normas nacionales requeridas. La instalación debe seguir la norma IEC/HD 60364-7-702 y las normas nacionales requeridas para piscinas. Para obtener más información, póngase en contacto con su distribuidor local.



### ADVERTENCIAS ASOCIADAS CON APARATOS ELÉCTRICOS

- La fuente de alimentación del aparato debe estar protegida por un Dispositivo de Corriente Residual (RCD) de 30 mA dedicado, que cumpla con las normas y reglamentos vigentes en el país en el que se instale.
- El equipo no incluye interruptor eléctrico para la desconexión; incluir un dispositivo de alimentación de desconexión en el cableado de fijación al menos OVC III, de acuerdo con las leyes nacionales aplicables.
- Si el cable de alimentación está dañado, debe ser reemplazado únicamente por el fabricante, un representante autorizado o un centro de reparación.



### ADVERTENCIAS RELATIVAS A APARATOS QUE CONTIENEN REFRIGERANTE R32



- Este dispositivo contiene refrigerante R32, un refrigerante de clase A2L, que se considera potencialmente inflamable.
- No descargue líquido R32 a la atmósfera. Se trata de un gas fluorado de efecto invernadero, contemplado en el Protocolo de Kioto, con un Potencial de Calentamiento Global (GWP) = 675 (reglamento europeo UE 517/2014).
- Para cumplir con las normas y reglamentos aplicables en materia de medioambiente e instalación, en particular el decreto núm. 2015-1790 o el reglamento europeo UE 517/2014, se debe realizar una prueba de fugas en el circuito de refrigeración cuando el aparato se ponga en funcionamiento por primera vez y al menos una vez al año. Esta operación debe ser realizada por un especialista certificado para someter a prueba aparatos de refrigeración.
- El aparato debe almacenarse en una sala sin fuentes de ignición en funcionamiento continuo (por ejemplo: llamas abiertas, un aparato de gas en funcionamiento o un calentador eléctrico en funcionamiento).
- Para obtener más información, consulte las instrucciones de seguridad relativas a los aparatos que contengan gas R32 en la versión ampliada del manual, en la que se encuentran los campos área de comprobación, procedimiento de trabajo, área general de trabajo, comprobación de presencia de refrigerante, comprobación de presencia de extintor, no se especifica ninguna fuente de ignición, ventilación del área, comprobación del equipo de refrigerante, comprobación de componentes eléctricos, reparación de componentes aislados, reparación de componentes intrínsecos, cableado, detección de refrigerante inflamable, eliminación y descarga, procedimientos de carga y desmontaje.



### INSTALACIÓN Y MANTENIMIENTO

- Solo una persona cualificada en los campos técnicos correspondientes (electricidad, hidráulica o refrigeración) está autorizada para realizar trabajos de instalación, mantenimiento o reparación en el aparato.
- El aparato no debe instalarse cerca de materiales combustibles ni de la entrada del conducto de aire de un edificio adyacente.
- Al realizar el mantenimiento del aparato, se debe comprobar la composición y el estado del líquido caloportador, así como la ausencia de restos de líquido refrigerante.
- Durante la prueba anual de estanqueidad del aparato de acuerdo con la legislación aplicable, se debe comprobar que los presostatos de alta y baja presión estén bien sujetos al circuito frigorífico y que corten el circuito eléctrico al actuar.
- Durante el trabajo de mantenimiento, asegúrese de que no haya rastros de corrosión o aceite alrededor de los componentes de refrigeración.
- Antes de comenzar a trabajar en el circuito de refrigeración, detenga el aparato y espere unos minutos antes de colocar los sensores de temperatura y presión. Algunos elementos como el compresor y las tuberías pueden alcanzar temperaturas superiores a los 100 °C y presiones elevadas con el consiguiente riesgo de quemaduras graves.



## ADVERTENCIAS



### ESPECIFICACIONES DEL REFRIGERANTE

#### Comprobación de área

- Este dispositivo contiene refrigerante R32, un refrigerante de clase A2L, que se considera potencialmente inflamable.
- No descargue líquido R32 a la atmósfera. Se trata de un gas fluorado de efecto invernadero, contemplado en el Protocolo de Kioto, con un Potencial de Calentamiento Global (GWP) = 675 (reglamento europeo UE 517/2014).
- Para cumplir con las normas y reglamentos aplicables en materia de medioambiente e instalación, en particular el decreto núm. 2015-1790 o el reglamento europeo UE 517/2014, se debe realizar una prueba de fugas en el circuito de refrigeración cuando el aparato se ponga en funcionamiento por primera vez y al menos una vez al año. Esta operación debe ser realizada por un especialista certificado para someter a prueba aparatos de refrigeración.
- El aparato debe almacenarse en una sala sin fuentes de ignición en funcionamiento continuo (por ejemplo: llamas abiertas, un aparato de gas en funcionamiento o un calentador eléctrico en funcionamiento).
- Para obtener más información, consulte las instrucciones de seguridad relativas a los aparatos que contengan gas R32 en la versión ampliada del manual, en la que se encuentran los campos área de comprobación, procedimiento de trabajo, área general de trabajo, comprobación de presencia de refrigerante, comprobación de presencia de extintor, no se especifica ninguna fuente de ignición, ventilación del área, comprobación del equipo de refrigerante, comprobación de componentes eléctricos, reparación de componentes aislados, reparación de componentes intrínsecos, cableado, detección de refrigerante inflamable, eliminación y descarga, procedimientos de carga y desmontaje.

#### Procedimiento de trabajo

- El trabajo se llevará a cabo bajo un procedimiento controlado para minimizar el riesgo de que un gas o vapor inflamable esté presente mientras se realiza.

#### Área general de trabajo

- Todo el personal de mantenimiento y otras personas que trabajen en el área local deberán recibir instrucciones sobre la naturaleza del trabajo que se está realizando. Se evitará el trabajo en espacios confinados.

#### Comprobación de la presencia de refrigerante

- El área debe revisarse con un detector de refrigerante apropiado antes y durante el trabajo, para garantizar que el técnico esté al tanto de las atmósferas potencialmente tóxicas o inflamables. Asegúrese de que el equipo de detección de fugas que se utiliza sea adecuado para su uso con todos los refrigerantes aplicables, es decir, que no genere chispas, esté adecuadamente sellado o sea intrínsecamente seguro.

#### Comprobación de la presencia de un extintor de incendios

- Si se va a realizar algún trabajo que involucre calor en el equipo de refrigeración o cualquier parte asociada, se debe tener a mano un equipo de extinción de incendios adecuado. Disponga de un extintor de incendios de polvo seco o CO2 junto al área de carga.

#### Sin fuente de ignición

- Ninguna persona que realice trabajos en relación con un sistema de refrigeración que implique exponer cualquier tubería deberá utilizar fuentes de ignición de tal manera que pueda generar riesgo de incendio o explosión. Todas las posibles fuentes de ignición, incluido fumar, deben mantenerse lo suficientemente lejos del lugar de instalación, reparación, desmontaje y eliminación, ya que es posible que se libere refrigerante al espacio circundante. Antes de que se lleve a cabo el trabajo, se debe inspeccionar el área alrededor del equipo para asegurarse de que no haya peligros inflamables o riesgos de ignición. Se mostrarán carteles de "Prohibido fumar".

#### Ventilación del área

- Antes de ingresar a la unidad de cualquier forma para realizar cualquier servicio requerido, asegúrese de que el área esté abierta y adecuadamente ventilada. Se debe mantener una ventilación adecuada, para permitir la dispersión segura de cualquier refrigerante que pueda liberarse de forma inadvertida a la atmósfera, mientras se realiza el mantenimiento de la unidad.



### INFORMACIÓN DE RECICLAJE

- Póngase en contacto con su distribuidor para obtener información sobre reciclaje.

### INFORMACIÓN DE PRODUCTO PARA PRODUCTOS CON CONECTIVIDAD (bajo la directiva RED)

#### Declaración de conformidad

Por la presente, Zodiac declara que el equipo de radio tipo Z350iQ cumple con la directiva 2014/53/UE. El texto completo de la Declaración de la UE de conformidad está disponible en la siguiente dirección: <https://www.zodiac-poolcare.com/>.

# 1 Instalación del aparato

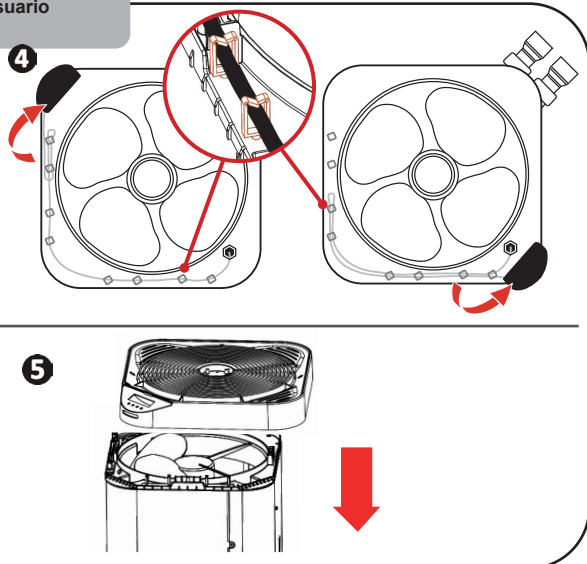
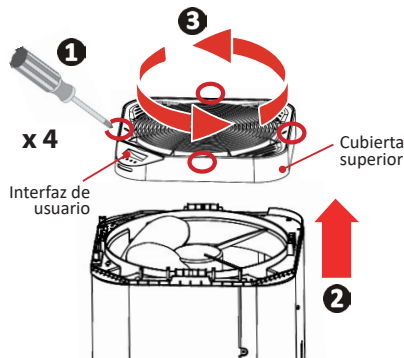


1 Instalación

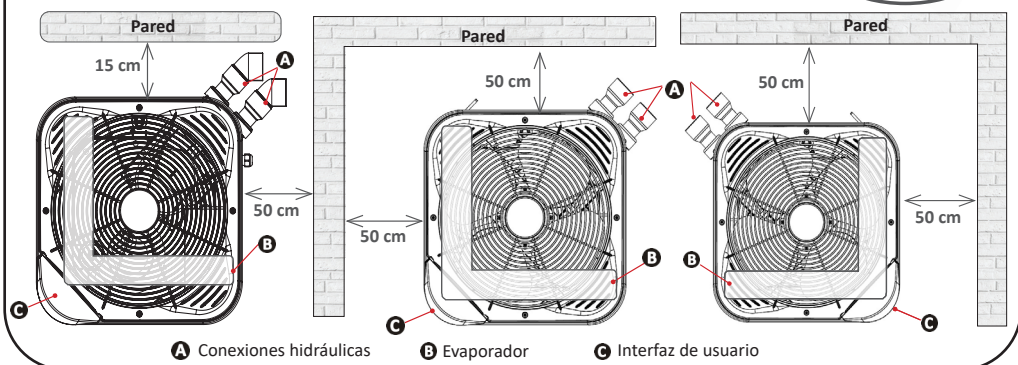
Girar la parte superior y la interfaz de usuario si es necesario



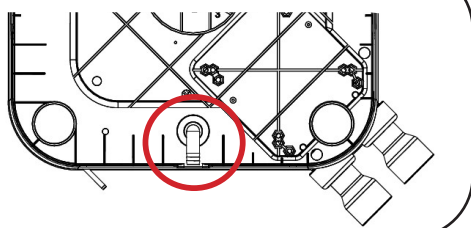
**PRECAUCIÓN:** El panel de visualización (debajo de la pantalla) está conectado mediante un cable a la placa de control dentro de la unidad. **Manipule la cubierta superior con cuidado para no dañar este cable.**



Elegir la ubicación y los conectores hidráulicos que mejor se adapten a la configuración de la instalación



**Evacuar los condensados.** Montar un tubo de Ø18 en el codo ranado que se va a montar bajo la base del aparato.



Consulte el manual en línea para obtener más detalles sobre las precauciones de instalación y las conexiones hidráulicas.

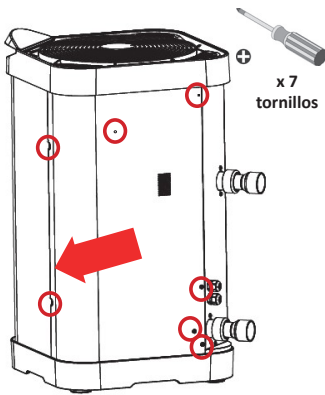


- Corte el suministro eléctrico antes de cualquier intervención en el interior del aparato (riesgo de descarga eléctrica). La retirada de la fuente de alimentación tiene que ser de modo que siempre pueda comprobar desde cualquiera de los puntos a los que tenga acceso que la fuente de alimentación permanece retirada. Si esto no es posible, debe proporcionar una desconexión con un sistema de bloqueo.
- Solo un técnico cualificado y experimentado está autorizado para realizar trabajos de cableado dentro del aparato o para reemplazar el cable de alimentación.
- Asegúrese de que los tornillos de los terminales estén totalmente apretados (riesgo de incendio). Los tornillos de los terminales que estén mal apretados cancelarán la garantía.
- No desconecte el suministro eléctrico cuando el aparato esté funcionando. Si se interrumpe la fuente de alimentación, espere un minuto para poder restablecer la alimentación.

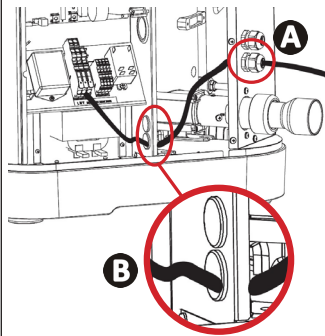


### Conectar la unidad a la fuente de alimentación y las opciones

#### 1 Abrir y quitar.

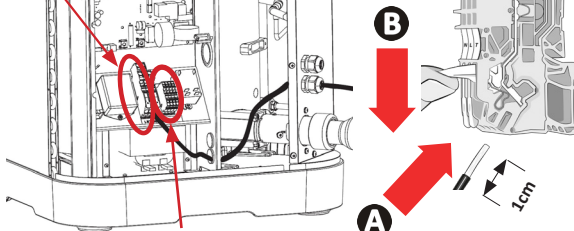


#### 2 Pasar el cable de alimentación.



#### 3 Conectar el cable de alimentación. Para conectar opciones, no pasar los cables por el mismo prensacables que el cable de alimentación.

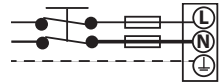
Bloque de terminales con resorte: conectar el cable de alimentación



Bloque de terminales de tornillo: conecte las opciones

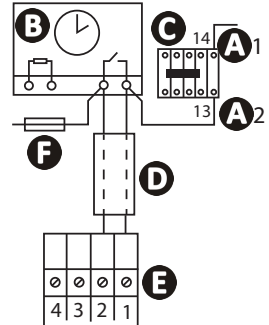
### Conexión del suministro eléctrico

SUMINISTRO ELÉCTRICO CA  
220-240 V  
1 FASE 50 Hz



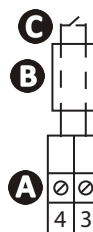
fusible retardado

### Conexión de prioridad de calefacción



- A1 - A2:** alimentación para bobina del contacto de alimentación de bomba de filtración
- B:** temporizador de filtración
- C:** contacto de alimentación (tripolar o bipolar) para el motor de la bomba del sistema de filtración
- D:** cable separado para la función de "prioridad de calefacción" (no suministrado)
- E:** regleta de bornes de la bomba de calor
- F:** fusible

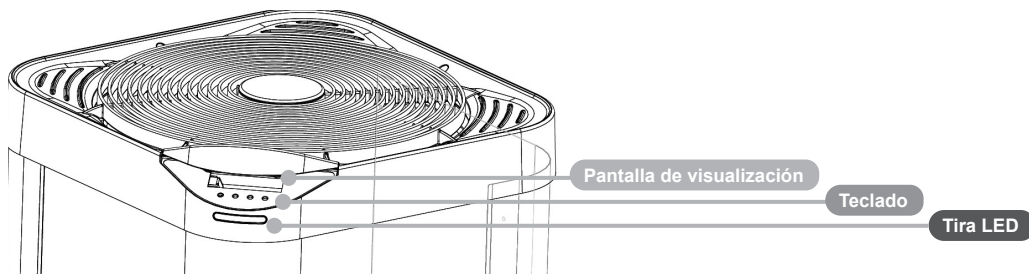
### Conexión remota de "encendido/apagado"



- A:** regleta de bornes de la bomba de calor
- B:** interruptor remoto de "encendido/apagado" (no suministrado)
- C:** cable de conexión independiente (no suministrado)

### Cableado y protección de cables

Modelo	Suministro de electricidad	Corriente máx.	Diámetro del cable*	Protección termomagnética
MD4	220-240 V 1 fase 50 Hz	9,1	<ul style="list-style-type: none"> <li>• Tipo H07RN-F</li> <li>• Diámetro: entre 13 y 18 mm</li> <li>• Sección de cables mín.: — Para el cable de alimentación: 3 x 2,5 mm<sup>2</sup></li> <li>— Para cable opcional: 2 x 0,75 mm<sup>2</sup></li> </ul>	Curva C o D 30 mA
MD5		10,8		
MD6		13,5		



### Pantalla de visualización



#### 3 modos:

- MEJORA
- INTELIGENTE
- SILENCIO

Temperatura del agua medida

### Tira LED (encendida de forma predeterminada)

Para apagarla, consulte la página 4

#### Verde: "calefacción"

- La bomba de calor está calentando el agua.
- Temperatura programada alcanzada

#### Azul: "refrigeración"

- La bomba de calor está enfriando el agua.

#### Rojo: "error"

- Consulte el manual en línea

### Teclado



- Cambio de modo
- Acceso al menú (mantener pulsado)
- Validación (confirmar)



- Búsqueda
- Configuración de valores



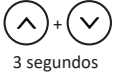
- Encendido/Apagado (mantener pulsado)
- Volver/Atrás

### Luces indicadoras

	Fijas	Intermitentes	Apagadas
	Teclado bloqueado	-	Teclado desbloqueado
	Flujo de agua correcto	Sin flujo de agua o es muy bajo	-
	Indica el modo seleccionado	-	-
	-	Temperatura del aire fuera del rango de funcionamiento	Temperatura del aire dentro del rango de funcionamiento
°C °F	Unidad de temperatura seleccionada	-	-
	Wifi conectado	Emparejamiento wifi en curso	Wifi no conectado



### Bloquear/ Desbloquear el teclado



3 segundos



### Establecer bloqueo automático (habilitado de forma predeterminada)



Mantener pulsado



Hasta "P19"



Confirmar



Encendido (habilitado) u apagado (deshabilitado)



Confirmar



### Ajustar la temperatura programada



Pulsar desde la pantalla principal para ajustar el valor



Aumentar o disminuir la temperatura



Confirmar (automático si hay más de 30 segundos de inactividad)

Temperatura recomendada: 28 °C  
Temperatura máxima: 32°



### Activar/desactivar el modo Refrigeración (deshabilitado de forma predeterminada)

La activación del modo Refrigeración se valida con 3 parpadeos azules sucesivos.



Mantener pulsado hasta que la pantalla muestre "REFRIGERAR"



Confirmar



ENCENDIDO (habilitado) o APAGADO (deshabilitado)



Confirmar



### Seleccionar los modos de calefacción

La bomba de calor tiene 3 modos de funcionamiento activos para ajustar la velocidad de funcionamiento a la potencia que se requiere y al modo que se selecciona:

- Modo "MEJORA"
- Modo "INTELIGENTE"
- Modo "SILENCIO"



Pulsar en la pantalla principal: el indicador ► se detiene frente a uno de los 3 modos



### Deshabilitar la tira LED (encendida de forma predeterminada)



Mantener pulsado en la pantalla principal: la pantalla muestra "REFRIGERAR"



La pantalla muestra "LED"



Confirmar



Encendido (habilitado) o apagado (deshabilitado)



Confirmar

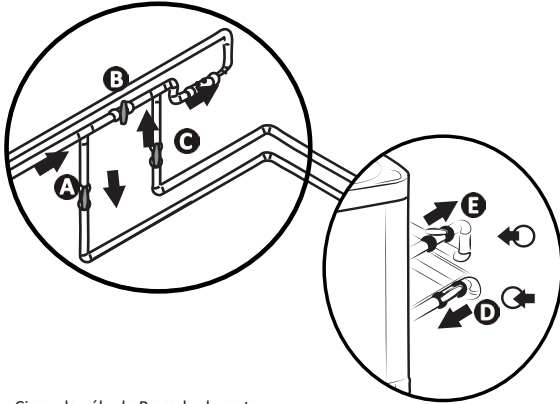


Consulte el manual en línea para obtener más detalles sobre los modos de funcionamiento y el comportamiento de la tira LED.






## Abrir el circuito hidráulico

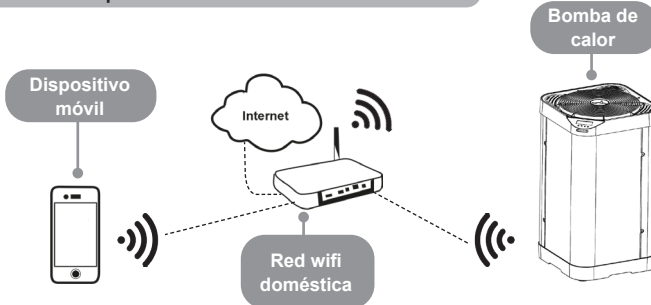


**PRECAUCIÓN:** Un ajuste de derivación incorrecto puede provocar un mal funcionamiento de la bomba de calor.

- Cierre la válvula B gradualmente.
- Abra completamente las válvulas A, C y D. Abra la válvula E a la mitad (se purgará el aire acumulado en el condensador y en el circuito de filtración). Si las válvulas D y E no están presentes, abra completamente la válvula A y cierre la válvula C a la mitad.
- Conecte la fuente de alimentación a la bomba de calor.
- Si la bomba de calor está en espera, pulse  durante 3 segundos; la pantalla de inicio aparece durante 4 segundos y luego se muestra la pantalla principal. Se iniciará un temporizador de 2 minutos.
- Establezca la temperatura deseada.



## Conectarse a la aplicación Fluidra Pool



La bomba de calor se puede controlar de forma remota desde un teléfono inteligente o tableta, a través de la aplicación Fluidra Pool disponible para sistemas iOS y Android. Antes de conectarse a la aplicación Fluidra Pool, asegúrese de:

- Utilice un smartphone o una tableta con wifi habilitado.
- Utilice una red wifi con una señal razonablemente buena cuando se conecte a la bomba de calor: la señal wifi debe ser detectable en el lugar donde se utiliza el aparato. De no ser así, se deberá aportar una solución técnica para amplificar la señal existente.
- Quédese cerca del aparato y tenga a mano la contraseña de la red wifi doméstica.

Descargar la aplicación Fluidra Pool



La pantalla muestra "bLE"

Abrir la aplicación y seguir los pasos descritos en la aplicación para añadir la bomba de calor.



### Invernaje



Mantener pulsado para apagar el aparato

Desconectar la fuente de alimentación

Cerrar las válvulas A y C, y abrir las válvulas D y E (si las hay)

Drenar el agua del condensador para evitar cualquier riesgo de congelación.



Poner la microcubierta de invernaje

- En caso de invernaje total de la piscina (apagado completo del sistema de filtración, purga del circuito de filtración o incluso vaciado de la piscina): vuelva a montar los dos conectores dando una vuelta para evitar que entren cuerpos extraños en el condensador.
- En caso de invernaje únicamente de la bomba de calor (apagado solo de la calefacción, la filtración sigue funcionando): no apriete los conectores pero añada 2 tapones (suministrados) en las entradas y salidas de agua del condensador.
- Coloque la microcubierta de invernaje aireada (suministrada) sobre la bomba de calor pasando las conexiones hidráulicas hacia arriba por el orificio previsto para ello. No es necesario desconectar las conexiones hidráulicas y eléctricas.



- **El invernaje es vital para evitar que el condensador se rompa debido a la congelación (la congelación sin invernaje no está cubierta por la garantía).**
- Para evitar dañar el aparato con la condensación, no lo cubra por completo; utilice la cubierta de invernaje suministrada.



### Mantenimiento

- Asegúrese de que la rejilla de ventilación no esté bloqueada por cuerpos extraños.
- Limpie el evaporador con un cepillo suave y un chorro de agua dulce (desconecte el cable de alimentación).
- Limpie el tubo de drenaje de condensados para eliminar cualquier impureza que pueda estar obstruyéndolo.
- Asegúrese de que la rejilla de ventilación de la caja de interruptores esté limpia.
- No utilice un chorro de alta presión. No rocíe con agua de lluvia, agua salada ni agua llena de minerales.
- Limpie el exterior del aparato; no utilice ningún producto con disolventes. Puede utilizar un kit de limpieza específico como accesorio: el PAC NET.




- No desconecte el suministro eléctrico cuando el aparato esté funcionando. Si se interrumpe la fuente de alimentación, espere un minuto para poder restaurar la alimentación en el aparato.
- Antes de cualquier operación de mantenimiento, solución de problemas o reparación, se recomienda desactivar la conexión wifi del módem para evitar cualquier riesgo de control remoto del aparato.
- Se recomienda que el aparato se someta a un mantenimiento general al menos una vez al año para garantizar un funcionamiento adecuado, mantener los niveles de rendimiento y prevenir posibles fallos. Estas operaciones se deben llevar a cabo por un técnico a expensas del usuario.







Consulte el manual en línea para obtener más detalles sobre las instrucciones de seguridad relativas al refrigerante R32 y las tareas de mantenimiento que debe realizar un técnico cualificado.



- Antes de ponerse en contacto con el distribuidor, realice estas sencillas comprobaciones en el caso de que se produzca un problema. Si el problema no se resuelve, póngase en contacto con su distribuidor.
-  : Acciones que debe realizar únicamente un técnico cualificado.

### Funcionamiento del aparato

El aparato no empieza a calentar de forma inmediata	<ul style="list-style-type: none"> <li>• Cuando el caudal de agua es cero o no es suficiente, el aparato se detiene: compruebe que el agua circula correctamente en el aparato y que las conexiones hidráulicas son correctas.</li> <li>• El aparato se detiene cuando la temperatura exterior desciende por debajo de <math>-7^{\circ}\text{C}</math>.</li> </ul>
El aparato está descargando agua.	<ul style="list-style-type: none"> <li>• Para comprobar que el agua no provenga de una fuga en el circuito de la piscina del aparato, apáguelo y ponga en funcionamiento la bomba de filtración para hacer circular el agua en el aparato. Si el agua sigue fluyendo por los conductos de evacuación de condensados, significa que hay una fuga de agua en el aparato. Póngase en contacto con su distribuidor.</li> </ul>
El evaporador está helado	<ul style="list-style-type: none"> <li>• El aparato pronto cambiará a su ciclo de descongelación para derretir el hielo.</li> <li>• Si el aparato no logra descongelar el evaporador, se detendrá; esto significa que la temperatura exterior es demasiado baja (por debajo de <math>-7^{\circ}\text{C}</math>).</li> </ul>
El aparato expulsa humo	<ul style="list-style-type: none"> <li>• Si el aparato no está en su ciclo de descongelación, esto no es normal. Apague y desconecte el aparato de forma inmediata y póngase en contacto con su distribuidor.</li> </ul>
El aparato no funciona	<ul style="list-style-type: none"> <li>•  Si no hay pantalla, compruebe la tensión de alimentación y el fusible F1.</li> <li>• Cuando el caudal de agua es cero o no es suficiente, el aparato se detiene: compruebe que el agua circula correctamente en el aparato.</li> </ul>
El ventilador está funcionando pero el compresor se detiene cada cierto tiempo sin mensaje de error	<ul style="list-style-type: none"> <li>• Si la temperatura exterior es baja, el aparato realizará ciclos de descongelación.</li> <li>• El aparato no puede capturar suficientes calorías, porque el evaporador está obstruido con suciedad. Límpielo para restaurar su funcionamiento.</li> </ul>
El aparato funciona pero la temperatura del agua no aumenta	<ul style="list-style-type: none"> <li>• El modo de funcionamiento no es lo suficientemente potente (aparato en modo "SILENCIO" o "INTELIGENTE"). Cambie al modo "MEJORA" y configure la filtración en manual 24/24 mientras aumenta la temperatura.</li> <li>• Compruebe que la válvula de llenado automático no esté atascada en posición abierta; esto mantendrá el suministro de agua fría a la piscina y evitará que suba la temperatura.</li> <li>• Hay demasiada pérdida de calor ya que el aire es frío. Instale una cubierta termoaislante en la piscina.</li> <li>• El aparato no puede capturar suficientes calorías, porque el evaporador está obstruido con suciedad. Límpielo para restaurar su funcionamiento.</li> <li>•  Compruebe que el aparato sea del tamaño adecuado para esta piscina y su entorno.</li> </ul>
El aparato activa el disyuntor	<ul style="list-style-type: none"> <li>•  Compruebe que el disyuntor esté correctamente dimensionado y que la sección del cable utilizado sea la correcta.</li> <li>•  La tensión de alimentación es demasiado baja; póngase en contacto con su proveedor de electricidad.</li> </ul>



Consulte el manual en línea para obtener más detalles sobre la visualización de códigos de error, el funcionamiento de los LED en la placa de circuito de impresión y los diagramas de cableado.



Funcionamiento: aire a 28 °C/agua a 28 °C/humedad al 80 %

		MD4	MD5	MD6
Potencia de salida (velocidad máxima-mínima)	kW	11-3,1	14-4,4	16-4,7
Potencia consumida (velocidad máxima-mínima)	kW	1,9-0,3	2,6-0,5	3,2-0,5
COP medio (velocidad máxima-mínima)		5,8-10,3	5,4-8,8	5-9,4

### Especificaciones técnicas

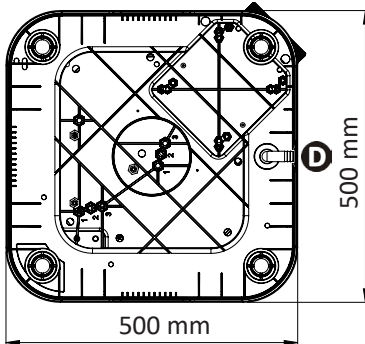
Temperatura de funcionamiento	Aire	En modo "calefacción": de -7 a 35 °C En modo "refrigeración": de 10 a 35 °C
	Agua	De 15 a 32 °C
Presión de funcionamiento	Refrigerante	De 2 a 42 bar (de 0,2 a 4,2 MPa)
	Agua	De 0 a 2 bar (de 0 a 0,2 MPa)
Fuente de alimentación		220-240 V ~ /1 fase/50 Hz
Variación de tensión admisible		±6 % (durante el funcionamiento)
Conexiones hidráulicas		2 uniones PVC Ø 40 2 reducciones PVC Ø 40/50 2 uniones PVC 45° Ø 50
Tipo de líquido refrigerante		R32
Grado de protección		IP24
Bandas de frecuencia	GHz	2,400-2,497
Potencia de emisión de radiofrecuencia	dBm	+19,5
Ubicación de la instalación		Interiores/Exteriores

### Especificaciones técnicas

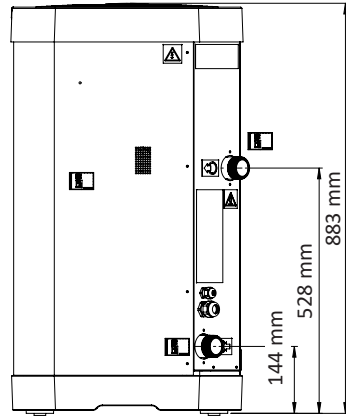
		MD4	MD5	MD6
Requisito de corriente eléctrica nominal	A	8	10,1	12,3
Requisito máximo de corriente eléctrica	A	9,0	12,3	15,9
Sección mínima de cable*	mm <sup>2</sup>	3 x 2,5	3 x 2,5	3 x 2,5
Potencia de sonido (máxima-mínima)	db(A)	70-64	71-63	73-65
Presión de sonido a 10m (máxima-mínima)	db(A)	39-33	40-32	42-34
Flujo de agua recomendado	m <sup>3</sup> /h	3,4	4,2	5
Carga de líquido refrigerante	kg	0,7	0,85	0,95
	Tonn CO2 eq.	0,47	0,57	0,64
Peso aproximado	kg	41	46	47

\* Valores facilitados a título informativo para una longitud máxima de 20 metros (base de cálculo: NFC15-100), debe comprobarse y adaptarse a las condiciones y normas de instalación del país donde se realiza la instalación.

## Dimensiones



Parte inferior



Parte trasera

<b>A</b>	Puerta de acceso técnico
<b>B</b>	Entrada de agua de la piscina
<b>C</b>	Salida de agua de la piscina
<b>D</b>	Drenaje de condensados

## 9 Símbolos de diagramas de cableado



### 4.4 Diagramas de cableado

Símbolo	Descripción	Símbolo	Descripción
A1	Placa de regulación electrónica	FS	Interrupor de flujo
A2	Placa de visualización (HMI)	V1 - V2	Varistor
A4	Placa electrónica del compresor	G/Y	Verde/Amarillo
CM	Compresor	BLK	Negro
EEV	Válvula de expansión electrónica	BLU	Azul
F1 - F2	Fusible	BRN	Marrón
FAN	Motor del ventilador	ORG	Naranja
HP	Presostato de alta presión	PNK	Rosa
ST1	Sensor de temperatura de entrada de agua	RED	Rojo
ST2	Sensor de temperatura del aire ambiente	GRY	Gris
ST3	Sensor de temperatura de la bobina	BLK	Negro
ST4	Sensor de temperatura del tubo de líquido	VLT	Violeta
ST5	Sensor de temperatura de descarga	WHT	Blanco
4WV	Válvula de 4 vías	YEL	Amarillo



Consulte esta tabla para leer la etiqueta de los diagramas de cableado en la parte posterior de la caja eléctrica. Los diagramas de cableado también están disponibles en el manual en línea.



## AVVERTENZE



Il presente manuale contiene solo informazioni di base sulle misure di sicurezza da adottare durante l'installazione, la manutenzione e l'avvio. Il manuale completo può essere letto e scaricato come file PDF dal sito web [www.zodiac.com](http://www.zodiac.com). Tutti i lavori di montaggio, installazione elettrica e manutenzione devono essere eseguiti da personale qualificato e autorizzato che abbia letto attentamente e integralmente il presente manuale. La società si riserva il diritto di modificare totalmente o parzialmente le caratteristiche dei prodotti o il contenuto di questo documento senza preavviso.



### AVVERTENZE GENERALI

- L'apparecchio è destinato all'uso in piscine e Spa per uno scopo specifico; non deve essere utilizzato per alcuno scopo diverso da quello per cui è stato progettato.
- Il mancato rispetto delle avvertenze può causare seri danni alle apparecchiature della piscina o lesioni gravi, anche mortali.
- Il presente apparecchio non è destinato all'uso da parte di persone (compresi i bambini) con ridotte capacità fisiche, sensoriali o mentali o prive di esperienza e conoscenza, a meno che non siano state sottoposte a supervisione o formazione con riferimento all'uso dell'apparecchio da parte di una persona responsabile della loro sicurezza. I bambini devono essere sorvegliati per assicurarsi che non giochino con l'apparecchio.
- Questo apparecchio può essere utilizzato da bambini di età pari o superiore a 8 anni e da persone con capacità fisiche, sensoriali o mentali ridotte o prive di esperienza e conoscenza, se questi sono stati sottoposti a supervisione o formazione sull'uso dell'apparecchio in modo sicuro e se comprendono i pericoli coinvolti. I bambini non devono giocare con il presente apparecchio. La pulizia e la manutenzione dell'utente non devono essere eseguite da bambini senza supervisione.
- L'apparecchio deve essere installato secondo le istruzioni del produttore e nel rispetto delle normative locali e nazionali.
- I prodotti di nostra produzione possono essere montati e installati solo in piscine conformi alle norme IEC/HD 60364-7-702 e ai regolamenti nazionali vigenti. L'installazione deve rispettare la norma IEC/HD 60364-7-702 e i regolamenti nazionali vigenti per le piscine. Consultare il rivenditore locale per ulteriori informazioni.

### AVVERTENZE RELATIVE AGLI APPARECCHI ELETTRICI

- L'alimentazione dell'apparecchio deve essere protetta da un apposito dispositivo di corrente residua (RCD) da 30 mA, conforme alle norme e ai regolamenti vigenti nel Paese in cui è installato.
- L'apparecchiatura non comprende un interruttore elettrico per lo spegnimento. Includere un dispositivo di disconnessione dell'alimentazione nel cablaggio di fissaggio di categoria minima OVC III, in conformità alle leggi nazionali applicabili.
- Se il cavo di alimentazione è danneggiato, deve essere sostituito esclusivamente dal produttore, da un rappresentante autorizzato o da un centro di riparazione.

### AVVERTENZE RELATIVE AD APPARECCHI CONTENENTI REFRIGERANTE R32



- Questo dispositivo contiene refrigerante R32, un refrigerante di classe A2L, considerato potenzialmente infiammabile.
- Non scaricare il fluido R32 nell'atmosfera. Si tratta di un gas fluorurato ad effetto serra, coperto dal Protocollo di Kyoto, con un potenziale di riscaldamento globale (GWP) = 675 (regolamento europeo UE 517/2014).
- Al fine di ottemperare alle norme e ai regolamenti vigenti in materia ambientale e installazione in particolare il decreto n. 2015-1790 e/o il regolamento europeo UE 517/2014, è necessario eseguire una prova di tenuta sul circuito di raffreddamento quando l'apparecchio viene avviato e almeno una volta all'anno. Questa operazione deve essere eseguita da uno specialista certificato per testare gli apparecchi di raffreddamento.
- L'apparecchio deve essere conservato in un locale senza fonti di accensione in funzione continua (ad esempio: fiamme libere, un apparecchio a gas in funzione o un riscaldatore elettrico in funzione).
- Per ulteriori informazioni consultare le istruzioni di sicurezza relative agli apparecchi contenenti gas R32 nella versione estesa del manuale, in cui sono specificate le sezioni: Verifica dell'area, Procedura di lavoro, Area di lavoro generale, Verifica della presenza di refrigerante, Verifica della presenza dell'estintore, Nessuna fonte di accensione, Ventilazione dell'area, Verifica dell'apparecchiatura del refrigerante, Verifica dei componenti elettrici, Riparazione di componenti isolati, Riparazione di componenti intrinseci, Cablaggio, Rilevamento di refrigerante infiammabile, Rimozione e scarico e Procedure di caricamento e smontaggio.

### INSTALLAZIONE E MANUTENZIONE

- Solo una persona qualificata nei settori tecnici interessati (elettricità, idraulica o refrigerazione) è autorizzata ad eseguire lavori di installazione, manutenzione o riparazione dell'apparecchio.
- L'apparecchio non può essere installato vicino a materiali combustibili o alla presa d'aria di un edificio adiacente.
- Durante la manutenzione dell'apparecchio è necessario verificare la composizione e lo stato del fluido termovettore, nonché l'assenza di tracce di liquido di raffreddamento.
- Durante la prova annuale di tenuta dell'apparecchio eseguita secondo la normativa vigente, i pressostati di alta e bassa pressione devono essere controllati per accertarsi che siano saldamente fissati al circuito di raffreddamento e che, in caso di intervento, interrompano il circuito elettrico.
- Durante i lavori di manutenzione assicurarsi che non vi siano tracce di corrosione o olio intorno ai componenti di raffreddamento.
- Prima di iniziare i lavori sul circuito di raffreddamento, fermare l'apparecchio e attendere alcuni minuti prima di installare i sensori di temperatura e pressione. Alcuni elementi come il compressore e le tubazioni possono raggiungere temperature superiori a 100 °C e pressioni elevate con conseguente rischio di gravi ustioni.



## AVVERTENZE



### SPECIFICHE DEL REFRIGERANTE

#### Verifica dell'area

- Questo dispositivo contiene refrigerante R32, un refrigerante di classe A2L, considerato potenzialmente infiammabile.
- Non scaricare il fluido R32 nell'atmosfera. Si tratta di un gas fluorurato ad effetto serra, coperto dal Protocollo di Kyoto, con un potenziale di riscaldamento globale (GWP) = 675 (regolamento europeo UE 517/2014).
- Al fine di ottemperare alle norme e ai regolamenti vigenti in materia ambientale e installazione in particolare il decreto n. 2015-1790 e/o il regolamento europeo UE 517/2014, è necessario eseguire una prova di tenuta sul circuito di raffreddamento quando l'apparecchio viene avviato e almeno una volta all'anno. Questa operazione deve essere eseguita da uno specialista certificato per testare gli apparecchi di raffreddamento.
- L'apparecchio deve essere conservato in un locale senza fonti di accensione in funzione continua (ad esempio: fiamme libere, un apparecchio a gas in funzione o un riscaldatore elettrico in funzione).
- Per ulteriori informazioni consultare le istruzioni di sicurezza relative agli apparecchi contenenti gas R32 nella versione estesa del manuale, in cui sono specificate le sezioni: Verifica dell'area, Procedura di lavoro, Area di lavoro generale, Verifica della presenza di refrigerante, Verifica della presenza dell'estintore, Nessuna fonte di accensione, Ventilazione dell'area, Verifica dell'apparecchiatura del refrigerante, Verifica dei componenti elettrici, Riparazione di componenti isolati, Riparazione di componenti intrinseci, Cablaggio, Rilevamento di refrigerante infiammabile, Rimozione e scarico e Procedure di caricamento e smontaggio.

#### Procedura di lavoro

- I lavori devono essere eseguiti secondo una procedura controllata in modo da ridurre al minimo il rischio di presenza di gas o vapori infiammabili durante la loro esecuzione.

#### Area di lavoro generale

- Tutto il personale addetto alla manutenzione e gli altri addetti che operano nell'area locale devono essere istruiti sulla natura del lavoro in corso. Il lavoro in spazi confinati deve essere evitato.

#### Verifica della presenza di refrigerante

- L'area deve essere controllata con un rilevatore di refrigerante appropriato prima e durante l'esecuzione del lavoro, per garantire che il tecnico sia a conoscenza di atmosfere potenzialmente tossiche o infiammabili. Assicurarsi che l'apparecchiatura di rilevamento delle perdite in questione sia idonea all'uso con tutti i refrigeranti applicabili, ovvero antiscintilla, adeguatamente sigillati o a sicurezza intrinseca.

#### Verifica della presenza dell'estintore

- Se devono essere eseguiti lavori che coinvolgono il calore sull'apparecchiatura di refrigerazione o su qualsiasi parte associata, devono essere disponibili attrezzature antincendio appropriate. Disporre di un estintore a polvere secca o CO2 adiacente all'area di ricarica.

#### Nessuna fonte di accensione

- Nessuna persona che esegue lavori in relazione a un sistema di refrigerazione che comporti l'esposizione di qualsiasi tubazione deve utilizzare eventuali fonti di accensione in modo tale che possa comportare il rischio di incendio o esplosione. Tutte le possibili fonti di accensione, compreso il fumo di sigaretta, devono essere mantenute sufficientemente lontane dal luogo di installazione, riparazione, rimozione e smaltimento e durante i processi che vi vengono eseguiti in cui il refrigerante può eventualmente essere rilasciato nello spazio circostante. Prima dell'inizio del lavoro, è necessario ispezionare l'area intorno all'apparecchiatura per assicurarsi che non vi siano pericoli di infiammabilità o rischi di accensione. Devono essere esposti i cartelli "Vietato fumare".

#### Ventilazione dell'area

- Prima di penetrare in qualsiasi modo nell'unità per eseguire qualsiasi servizio richiesto, assicurarsi che l'area sia aperta e adeguatamente ventilata. Durante l'esecuzione della manutenzione sull'unità, è necessario mantenere una ventilazione adeguata, per consentire la dispersione sicura di qualsiasi refrigerante che potrebbe essere rilasciato inavvertitamente nell'atmosfera.



### INFORMAZIONI SUL RICICLO

- Contattare il rivenditore per informazioni sul riciclo.

### INFORMAZIONI SUL PRODOTTO PER PRODOTTI CON CONNETTIVITÀ (in base alla direttiva RED)

#### Dichiarazione di conformità

Con la presente, Zodiac dichiara che l'apparecchiatura radio tipo Z350iQ è conforme alla direttiva 2014/53/UE. Il testo completo della Dichiarazione di conformità UE è disponibile al seguente indirizzo: <https://www.zodiac-poolcare.com/>.

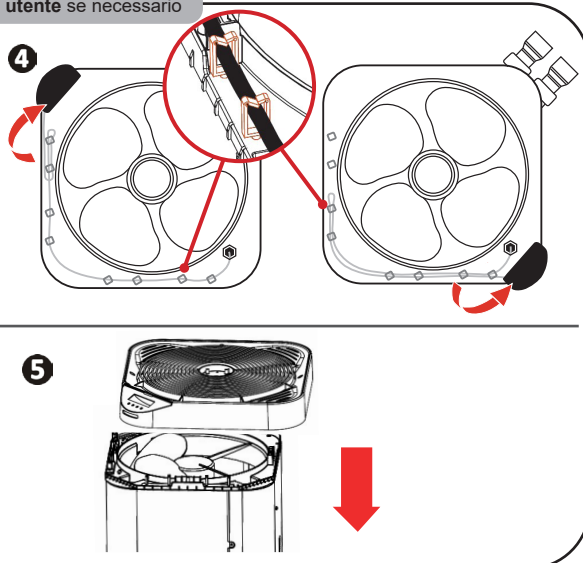
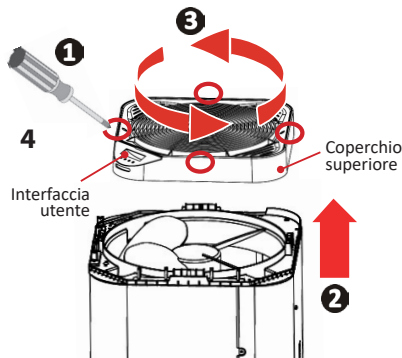
# 1 Installazione dell'apparecchio



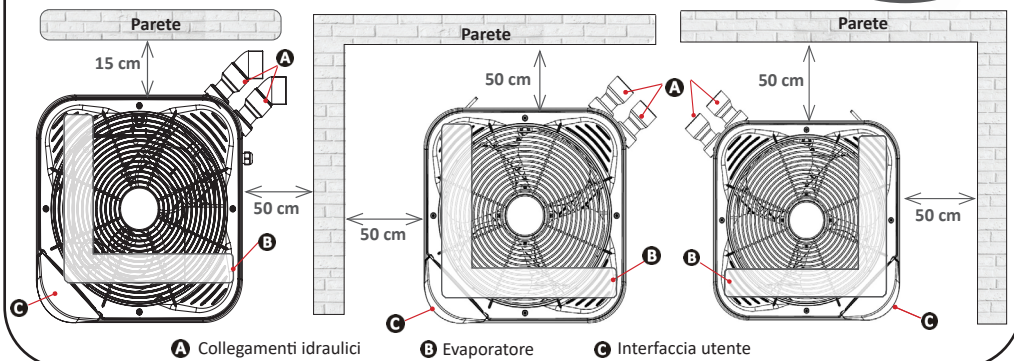
1  
Installazione

Ruotare la parte superiore e l'interfaccia utente se necessario

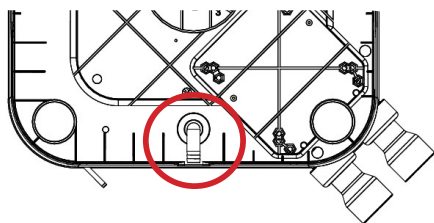
**⚠ ATTENZIONE:** la scheda del display (sotto lo schermo del display) è collegata tramite un cavo alla scheda di controllo all'interno dell'unità. **Maneggiare con cura il coperchio superiore per non danneggiare questo cavo.**



Scegliere la posizione e i connettori idraulici che meglio si adattano alla configurazione di installazione



Evacuare i condensati. Montare un tubo Ø 18 sulla curva scanalata da montare sotto la base dell'apparecchio.



Fare riferimento al manuale online per ulteriori dettagli sulle precauzioni di installazione e sui collegamenti idraulici.



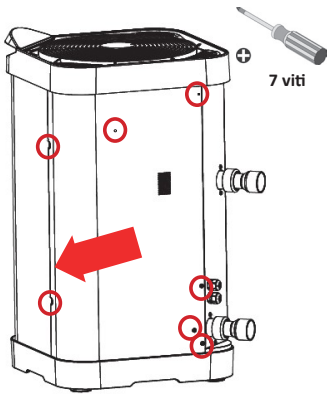


- Interrompere l'alimentazione elettrica prima di qualsiasi intervento all'interno dell'apparecchio (rischio di scossa elettrica). La rimozione dell'alimentatore deve essere tale da poter sempre controllare da qualsiasi punto a cui si ha accesso che l'alimentatore rimanga scollegato. Se ciò non è possibile, è necessario prevedere uno spegnimento con un sistema di chiusura.
- Solo un tecnico qualificato ed esperto è autorizzato a eseguire lavori di cablaggio all'interno dell'apparecchio o a sostituire il cavo di alimentazione.
- Assicurarsi che le viti dei morsetti siano completamente serrate (rischio di incendio). Viti dei morsetti serrate in modo errato annulleranno la garanzia.
- Non scollegare l'alimentazione elettrica quando l'apparecchio è in funzione. In caso di interruzione dell'alimentazione elettrica, attendere un minuto prima di ripristinare l'alimentazione.

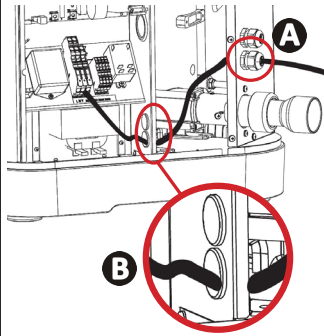


Collegare l'unità all'alimentazione e alle opzioni

1 Aprire e rimuovere.

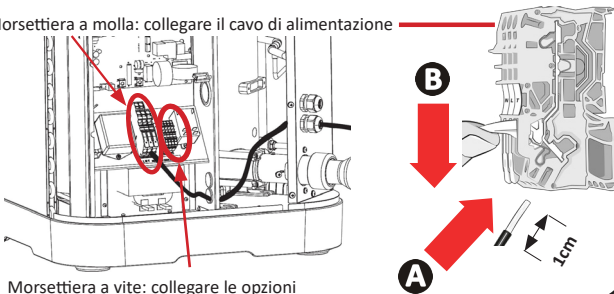


2 Passare il cavo di alimentazione.



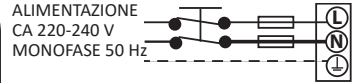
3 Cablare il cavo di alimentazione. Per collegare le opzioni: non far passare i cavi attraverso lo stesso pressacavo del cavo di alimentazione.

Morsetteria a molla: collegare il cavo di alimentazione

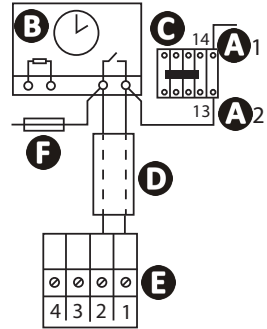


Morsetteria a vite: collegare le opzioni

Collegamento alimentazione

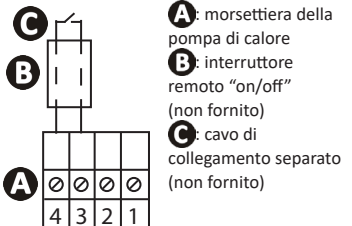


Collegamento priorità riscaldamento



- A1 - A2: alimentazione per la bobina del contattore di alimentazione della pompa di filtrazione
- B: timer di filtrazione
- C: contattore di alimentazione (tripolare o bipolare) per il motore della pompa del sistema di filtrazione
- D: cavo separato per la funzione "priorità riscaldamento" (non fornito)
- E: morsetteria della pompa di calore
- F: fusibile

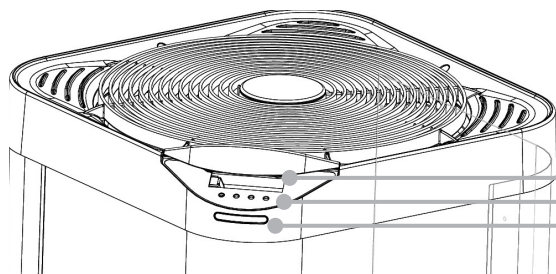
Connessione "ON/OFF" remota



Cablaggio e protezione dei cavi

Modello	Alimentazione elettrica	Corrente massima	Diametro del cavo*	Protezione magnetotermica
MD4	220 - 240 V Monofase 50 Hz	9,1	• Tipo H07RN-F • Diametro: tra 13 e 18 mm • Sezione min. del cavo: - per cavo di alimentazione: 3 da 2,5 mm <sup>2</sup> - per cavo opzionale: 2 da 0,75 mm <sup>2</sup>	Curva C o D 30 mA
MD5		10,8		
MD6		13,5		

\*Sezione del cavo adatta per una lunghezza massima di 20 metri.



Schermo del display

Tastiera del computer

Striscia LED

### Schermo del display



#### 3 modalità:

- BOOST
- SMART
- SILENZIOSO

Temperatura dell'acqua misurata

**Striscia LED** (accesa per impostazione predefinita)  
Per spegnerla, consultare p.4

**Verde: "Riscaldamento"**

- La pompa di calore riscalda l'acqua
- Valore di riferimento della temperatura raggiunto

**Blu: "Raffreddamento"**

- La pompa di calore raffredda l'acqua

**Rosso: "Errore"**

- Consultare il manuale online

### Tastiera del computer



- Cambio di modalità
- Accesso al menu (tenere premuto)
- Convalida (conferma)



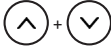
- Navigazione
- Impostazione dei valori



- ON/OFF (tenere premuto)
- Ritorno/Indietro

### Indicatori luminosi

	Costante	Lampeggiante	Spento
	Tastiera bloccata	-	Tastiera sbloccata
	Flusso d'acqua ok	Flusso d'acqua troppo basso o assente	-
	Indica la modalità selezionata	-	-
	-	Temperatura dell'aria al di fuori del range di funzionamento	Temperatura dell'aria all'interno del range di funzionamento
°C °F	Unità di temperatura selezionata	-	-
	Connesso alla rete Wi-Fi	Associazione Wi-Fi in corso	Non connesso alla rete Wi-Fi

**Blocco/Sblocco della tastiera**

3 secondi

**Impostazione del blocco automatico** (abilitata per impostazione predefinita)

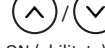
Tenere premuto



Fino a "P19"



Conferma

ON (abilitata) o  
OFF (disabilitata)

Conferma

**Regolazione del valore di riferimento della temperatura**

Premere dalla schermata principale per regolare il valore



Aumentare o diminuire la temperatura



Conferma (automatica dopo 30 secondi di inattività)

**Temperatura consigliata:** 28 °C  
**Temperatura massima:** 32 °C**Attivazione/Disattivazione della modalità Raffreddamento** (disabilitata per impostazione predefinita)

L'attivazione della modalità Raffreddamento è convalidata da 3 lampeggi blu successivi.



Premere a lungo fino a quando lo schermo non visualizza "FREDDO"



Conferma

ON (abilitata) o OFF  
(disabilitata)

Conferma

**Selezione delle modalità di riscaldamento**

La pompa di calore dispone di 3 modalità di funzionamento attive per adeguare la propria velocità di funzionamento alla potenza richiesta e alla modalità selezionata:

- Modalità "BOOST"
- Modalità "SMART"
- Modalità "SILENZIOSO"

Premere dalla schermata principale:  
l'indicatore ► si ferma a una delle 3 modalità**Disabilitazione della striscia LED** (accesa per impostazione predefinita)

Tenere premuto dalla schermata principale: lo schermo visualizza "FREDDO"



Lo schermo visualizza "LED"



Conferma

ON (abilitata) o OFF  
(disabilitata)

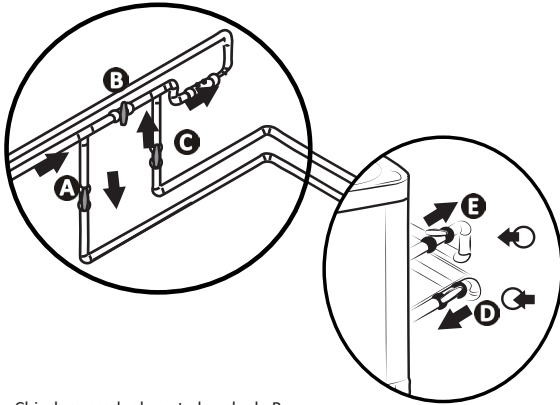
Conferma




Fare riferimento al manuale online per ulteriori dettagli sulle modalità operative e sul comportamento delle strisce LED.



## Aprire il circuito idraulico

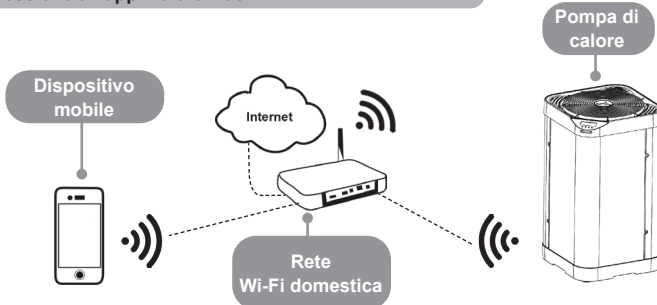


**ATTENZIONE:** un'errata impostazione del by-pass può causare il malfunzionamento della pompa di calore.

- Chiudere gradualmente la valvola B.
- Aprire completamente le valvole A, C e D. Aprire della metà la valvola E (l'aria che si accumula nel condensatore e nel circuito di filtrazione fuoriesce). Se le valvole D ed E non sono presenti, aprire la valvola A completamente e chiudere la valvola C a metà.
- Collegare l'alimentazione alla pompa di calore.
- Se la pompa di calore è in standby, premere  per 3 secondi; viene visualizzata la schermata iniziale per 4 secondi, quindi viene visualizzata la schermata principale. Viene quindi avviato un timer di 2 minuti.
- Impostare la temperatura desiderata.



## Connessione all'app Fluidra Pool



La pompa di calore può essere controllata a distanza da smartphone o tablet, tramite l'app Fluidra Pool disponibile per sistemi iOS e Android. Prima della connessione all'app Fluidra Pool, assicurarsi di quanto segue:

- Utilizzare uno smartphone o un tablet abilitato alla connessione Wi-Fi.
- Utilizzare una rete Wi-Fi con un segnale abbastanza forte quando ci si connette alla pompa di calore: il segnale Wi-Fi deve essere rilevabile nel luogo in cui viene utilizzato l'apparecchio. In caso contrario, deve essere fornita una soluzione tecnica per amplificare il segnale esistente.
- Restare vicino all'apparecchio e tenere a portata di mano la password della rete Wi-Fi domestica.

Scaricare l'app Fluidra Pool



Lo schermo visualizza «bLE»

Aprire l'applicazione e seguire i passaggi descritti nell'app per aggiungere la pompa di calore.



### Svernamento

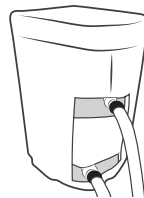


Tenere premuto per spegnere l'apparecchio

Scollegare l'alimentazione

Chiudere le valvole A e C e aprire le valvole D ed E (se presenti)

Scaricare l'acqua dal condensatore per evitare il rischio di congelamento



Mettere il microcoperchio di svernamento ventilato

- In caso di completo svernamento della piscina (arresto completo del sistema di filtrazione, spurgo del circuito di filtrazione o drenaggio della piscina): rimontare i due connettori di un giro per evitare che corpi estranei penetrino nel condensatore.
- In caso di svernamento per la sola pompa di calore (spegnimento del solo riscaldamento, la filtrazione continua a funzionare): non serrare i connettori ma aggiungere 2 tappi (forniti) sugli ingressi e sulle uscite dell'acqua del condensatore.
- Posizionare sulla pompa di calore il microcoperchio di svernamento ventilato (fornito) facendo passare gli attacchi idraulici verso l'alto attraverso l'apertura prevista per questo scopo. Non è necessario scollegare i collegamenti idraulici ed elettrici.



- **Lo svernamento è fondamentale per evitare la rottura del condensatore a causa del gelo (il congelamento senza svernamento non è coperto dalla garanzia).**
- **Per evitare di danneggiare l'apparecchio con la condensa, non scavarlo completamente; utilizzare lo speleologo per svernamento fornito.**



### Manutenzione

- Assicurarsi che la griglia di ventilazione non sia ostruita da corpi estranei.
- Pulire l'evaporatore utilizzando una spazzola morbida e un getto d'acqua dolce (scollegare il cavo di alimentazione).
- Pulire la linea di scarico della condensa per rimuovere eventuali impurità che potrebbero bloccarla.
- Assicurarsi che la griglia di ventilazione del quadro elettrico sia pulita.
- Non utilizzare un getto ad alta pressione. Non spruzzare con acqua piovana, salata o piena di minerali.
- Pulire l'esterno dell'apparecchio; non utilizzare prodotti a base di solventi. Come accessorio è possibile utilizzare uno specifico kit di pulizia: il PAC NET.




- **Non scollegare l'alimentazione elettrica quando l'apparecchio è in funzione. In caso di interruzione dell'alimentazione elettrica, attendere un minuto prima di ripristinare l'alimentazione all'apparecchio.**
- **Prima di qualsiasi operazione di manutenzione, risoluzione dei problemi o riparazione, si consiglia di disattivare la connessione alla rete Wi-Fi del modem per evitare qualsiasi rischio di controllo remoto dell'apparecchio.**
- **Si raccomanda di sottoporre l'apparecchio a una manutenzione generale almeno su base annuale per garantirne il corretto funzionamento, mantenere i livelli di prestazione ed eventualmente prevenire alcuni guasti. Queste operazioni sono eseguite a spese dell'utente da un tecnico.**



Fare riferimento al manuale online per ulteriori dettagli sulle istruzioni di sicurezza relative al refrigerante R32 e le attività di manutenzione che devono essere eseguite da un tecnico qualificato.



- Prima di contattare il rivenditore, se si verifica un problema, effettuare questi pochi semplici controlli. Se il problema persiste, contattare il rivenditore.
- : azioni che devono essere eseguite solo da un tecnico qualificato.

### Comportamento dell'apparecchio

L'apparecchio non inizia subito a riscaldarsi	<ul style="list-style-type: none"> <li>• Quando la portata d'acqua è zero o non è sufficiente, l'apparecchio si ferma: verificare che l'acqua circoli correttamente nell'apparecchio e che i collegamenti idraulici siano corretti.</li> <li>• L'apparecchio si arresta quando la temperatura esterna scende al di sotto di -7 °C.</li> </ul>
L'apparecchio scarica l'acqua	<ul style="list-style-type: none"> <li>• Per verificare che l'acqua non provenga da una perdita nel circuito della piscina dell'apparecchio, spegnerlo e far funzionare la pompa del filtro per far circolare l'acqua nell'apparecchio. Se l'acqua continua a scorrere attraverso le tubazioni di scarico della condensa, è presente una perdita d'acqua nell'apparecchio: rivolgersi al proprio rivenditore.</li> </ul>
L'evaporatore è ghiacciato	<ul style="list-style-type: none"> <li>• L'apparecchio passerà presto al ciclo di sbrinamento per sciogliere il ghiaccio.</li> <li>• Se l'apparecchio non riesce a sbrinare il proprio evaporatore, si fermerà; ciò significa che la temperatura esterna è troppo bassa (inferiore a -7 °C).</li> </ul>
L'apparecchio emette fumo	<ul style="list-style-type: none"> <li>• Se l'apparecchio non è nel suo ciclo di sbrinamento, questa condizione non è normale. Spegnerlo e scollegare immediatamente l'apparecchio e contattare il proprio rivenditore.</li> </ul>
L'apparecchio non funziona	<ul style="list-style-type: none"> <li>•  Se non è presente il display, controllare la tensione di alimentazione e il fusibile F1.</li> <li>• Quando la portata d'acqua è zero o non è sufficiente, l'apparecchio si ferma. Verificare che l'acqua circoli correttamente nell'apparecchio.</li> </ul>
La ventola è in funzione ma il compressore si arresta di tanto in tanto senza alcun messaggio di errore	<ul style="list-style-type: none"> <li>• Se la temperatura esterna è bassa, l'apparecchio eseguirà cicli di sbrinamento.</li> <li>• L'apparecchio non è in grado di catturare abbastanza calorie poiché il suo evaporatore è intasato di sporco. Pulirlo per ripristinarne le prestazioni.</li> </ul>
L'apparecchio funziona ma la temperatura dell'acqua non aumenta	<ul style="list-style-type: none"> <li>• La modalità di funzionamento non è sufficientemente potente (apparecchio in modalità "SILENZIOSO" o "SMART"). Passare alla modalità "BOOST" e impostare la filtrazione su 24/24 manuale mentre la temperatura aumenta.</li> <li>• Verificare che il rubinetto di riempimento automatico non sia bloccato in posizione aperta; questo continuerà a fornire acqua fredda nella piscina e impedirà l'aumento della temperatura.</li> <li>• Si verifica troppa perdita di calore perché l'aria è fresca. Installare una copertura termoisolante sulla piscina.</li> <li>• L'apparecchio non è in grado di catturare abbastanza calorie poiché il suo evaporatore è intasato di sporco. Pulirlo per ripristinarne le prestazioni.</li> <li>•  Verificare che l'apparecchio sia della dimensione giusta per questa piscina e il suo ambiente.</li> </ul>
L'apparecchio fa scattare l'interruttore	<ul style="list-style-type: none"> <li>•  Verificare che l'interruttore sia correttamente dimensionato e che la sezione del cavo utilizzata sia corretta.</li> <li>•  La tensione di alimentazione è troppo bassa; contattare il proprio fornitore di energia elettrica.</li> </ul>



Fare riferimento al manuale online per ulteriori dettagli sulla visualizzazione dei codici di errore, sul comportamento dei LED sulla scheda del circuito di stampa e sugli schemi elettrici.



### Prestazioni: aria a 28 °C/acqua a 28 °C/umidità all'80%

		MD4	MD5	MD6
Potenza di uscita (velocità max-min)	kW	11 - 3,1	14 - 4,4	16 - 4,7
Energia consumata (velocità max-min)	kW	1,9 - 0,3	2,6 - 0,5	3,2 - 0,5
Coefficiente di prestazione COP (velocità max-min)		5,8 - 10,3	5,4 - 8,8	5 - 9,4

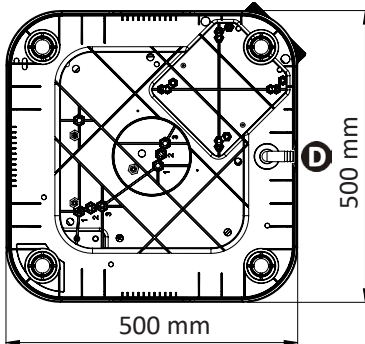
### Specifiche tecniche

Temperatura di esercizio	Aria	In modalità "Riscaldamento": da -7 a 35 °C In modalità "Raffreddamento": da 10 a 35 °C
	Acqua	Da 15 a 32 °C
Pressione di esercizio	Refrigerante	Da 2 a 42 bar (da 0,2 a 4,2 MPa)
	Acqua	Da 0 a 2 bar (da 0 a 0,2 MPa)
Alimentazione elettrica		220 - 240 V~/Monofase/50 Hz
Variatione ammissibile di tensione		± 6 % (durante il funzionamento)
Collegamenti idraulici		2 raccordi in PVC Ø 40 2 riduzioni PVC Ø 40/50 2 raccordi in PVC 45° Ø 50
Tipo di fluido di raffreddamento		R32
Grado di protezione		IP24
Bande di frequenza	GHz	2,400 - 2,497
Potenza di emissione a radiofrequenza	dBm	+19,5
Luogo di installazione		Interno/Esterno

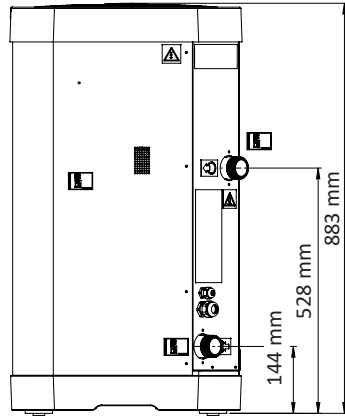
### Specifiche tecniche

		MD4	MD5	MD6
Requisito di corrente elettrica nominale	A	8	10,1	12,3
Requisito di corrente elettrica massima	A	9,0	12,3	15,9
Sezione minima del cavo*	mm <sup>2</sup>	3x2,5	3x2,5	3x2,5
Potenza sonora (max-min)	db(A)	70 - 64	71 - 63	73 - 65
Pressione sonora a 10 m (max-min)	db(A)	39 - 33	40 - 32	42 - 34
Flusso d'acqua consigliato	m <sup>3</sup> /h	3,4	4,2	5
Carico del fluido di raffreddamento	kg	0,7	0,85	0,95
	Tonnellate di CO2 eq.	0,47	0,57	0,64
Peso approssimato	kg	41	46	47

\*Valori forniti a titolo informativo per una lunghezza massima di 20 metri (base di calcolo: NFC15-100); devono essere verificati e adattati alle condizioni e alle norme di installazione del Paese di installazione.



Parte inferiore



Parte posteriore

**A**

Porta di accesso tecnica

**B**

Ingresso dell'acqua della piscina

**C**

Uscita dell'acqua della piscina

**D**

Scarico condensa

9

Simboli degli schemi elettrici



4.4 Schemi elettrici

Simbolo	Descrizione	Simbolo	Descrizione
A1	Scheda di regolazione elettronica	FS	Flussostato
A2	Scheda del display (interfaccia uomo-macchina)	V1 - V2	Varistore
A4	Scheda elettronica del compressore	G/Y	Verde/Giallo
CM	Compressore	BLK	Nero
EEV	Valvola di espansione elettronica	BLU	Blu
F1 - F2	Fusibile	BRN	Marrone
FAN	Motore della ventola	ORG	Arancione
HP	Pressostato alta pressione	PNK	Rosa
ST1	Sensore temperatura ingresso acqua	RED	Rosso
ST2	Sensore di temperatura dell'aria ambiente	GRY	Grigio
ST3	Sensore di temperatura della bobina	BLK	Nero
ST4	Sensore di temperatura della linea del liquido	VLT	Viola
ST5	Sensore di temperatura di scarico	WHT	Bianco
4WV	Valvola a 4 vie	YEL	Giallo



Fare riferimento a questa tabella per leggere l'etichetta degli schemi elettrici sul retro della scatola elettrica. Gli schemi elettrici sono disponibili anche nel manuale online.





## ADVERTÊNCIAS



Este manual contém apenas informação básica sobre medidas de segurança que devem ser adotadas durante a instalação, a manutenção e o arranque. O manual completo pode ser lido e descarregado como um ficheiro PDF a partir do website: [www.zodiac.com](http://www.zodiac.com). Todos os trabalhos de montagem, instalação elétrica e manutenção devem ser efetuados por pessoal qualificado e autorizado, que tenha lido este manual cuidadosa e completamente. Reservamo-nos o direito de alterar total ou parcialmente as características dos nossos produtos ou o conteúdo deste documento sem aviso prévio.



### AVISOS GERAIS

- O aparelho destina-se a ser utilizado em piscinas e spas para um fim específico; não deve ser utilizado para qualquer outro fim que não aquele para o qual foi concebido.
- O não respeito pelos avisos pode causar danos graves no equipamento da piscina ou causar ferimentos graves, ou mesmo a morte.
- Este aparelho não se destina a ser usado por pessoas (incluindo crianças) com capacidades físicas, sensoriais ou mentais reduzidas, nem com falta de experiência e conhecimento, salvo se tiverem recebido supervisão ou instruções sobre o uso do aparelho por uma pessoa responsável pela sua segurança. As crianças devem ser supervisionadas para garantir que não brincam com o aparelho.
- Este aparelho pode ser usado por crianças a partir dos 8 anos e por pessoas com capacidades físicas, sensoriais ou mentais reduzidas ou falta de experiência ou conhecimento, se tiverem recebido supervisão ou instruções sobre o uso do aparelho de um modo seguro e compreenderem os perigos associados. As crianças não devem brincar com o aparelho. A limpeza e a manutenção pelo utilizador não devem ser efetuadas por crianças sem supervisão.
- O aparelho deve ser instalado de acordo com as instruções do fabricante e em conformidade com os regulamentos locais e nacionais.
- Os nossos produtos só podem ser montados e instalados em piscinas em conformidade com as normas IEC/HD 60364-7-702 e com as regras nacionais exigidas. A instalação deve seguir a norma IEC/HD 60364-7-702 e as regras nacionais requeridas para piscinas. Consulte o seu distribuidor local para obter mais informações.

### ADVERTÊNCIAS ASSOCIADAS AOS APARELHOS ELÉTRICOS

- A alimentação elétrica do aparelho deve ser protegida por um Dispositivo de Corrente Residual (RCD) dedicado de 30 mA, em conformidade com as normas e regulamentos em vigor no país em que está instalado.
- O equipamento não inclui interruptor elétrico para desconexão; incluir um dispositivo de alimentação de desconexão na cablagem de fixação pelo menos OVC III, em conformidade com a legislação nacional aplicável.
- Se o cabo de alimentação ficar danificado, deve ser substituído pelo fabricante, por um representante autorizado ou apenas por uma instalação de reparação.

### AVISOS RELATIVOS A APARELHOS CONTENDO REFRIGERANTE R32



- Este dispositivo contém refrigerante R32, um refrigerante de classe A2L, que é considerado potencialmente inflamável.
- Não descarregar fluido R32 para a atmosfera. Este é um gás fluorado com efeito de estufa, coberto pelo Protocolo de Quioto, com um Potencial de Aquecimento Global (PAG) = 675 (regulamento europeu UE 517/2014).
- A fim de cumprir as normas e regulamentos aplicáveis em termos de ambiente e instalação, em particular o Decreto n.º 2015-1790 e/ou regulamento europeu EU 517/2014, deve ser efetuado um teste de estanquidade no circuito de arrefecimento quando o aparelho é colocado em funcionamento pela primeira vez e pelo menos uma vez por ano. Esta operação deve ser realizada por um especialista certificado para testar aparelhos de arrefecimento.
- O aparelho deve ser armazenado numa sala sem fontes de ignição em funcionamento contínuo (por exemplo: chamas abertas, um aparelho a gás em funcionamento ou um aquecedor elétrico em funcionamento).
- Para mais informações, consultar as instruções de segurança relativas aos aparelhos que contêm gás R32 na versão alargada do manual, na qual são especificadas a verificação da área de campo, procedimento de trabalho, área de trabalho geral, verificação da presença de refrigerante, verificação da presença de um extintor de incêndio, ausência de fonte de ignição, ventilação da área, verificação do equipamento de refrigeração, verificação de componentes elétricos, reparação de componentes isolados, reparação de componentes intrínsecos, cablagem, deteção de refrigerante inflamável, remoção e descarga, procedimentos de carga e desmontagem.

### INSTALAÇÃO E MANUTENÇÃO

- Apenas uma pessoa qualificada nos domínios técnicos em questão (eletricidade, hidráulica ou refrigeração) está autorizada a realizar trabalhos de instalação, manutenção ou reparação do aparelho.
- O aparelho não pode ser instalado perto de materiais combustíveis, ou da entrada de condutas de ar de um edifício adjacente.
- Durante a manutenção do aparelho, a composição e o estado do fluido de transferência de calor devem ser verificados, bem como a ausência de quaisquer vestígios de líquido de refrigeração.
- Durante o teste anual de vedação do aparelho, de acordo com a legislação aplicável, os interruptores de alta e baixa pressão devem ser verificados para garantir que estão firmemente presos ao circuito de arrefecimento e que cortam o circuito elétrico quando disparados.
- Durante os trabalhos de manutenção, garantir que não há vestígios de corrosão ou óleo à volta dos componentes de arrefecimento.
- Antes de iniciar os trabalhos no circuito de arrefecimento, parar o aparelho e esperar alguns minutos antes de instalar os sensores de temperatura e pressão. Alguns elementos como o compressor e a tubagem podem atingir temperaturas superiores a 100 °C e pressões elevadas com o consequente risco de queimaduras graves.



## ADVERTÊNCIAS



### ESPECIFICAÇÕES DO REFRIGERANTE

#### Verificação da área

- Este dispositivo contém refrigerante R32, um refrigerante de classe A2L, que é considerado potencialmente inflamável.
- Não descarregar fluido R32 para a atmosfera. Este é um gás fluorado com efeito de estufa, coberto pelo Protocolo de Quioto, com um Potencial de Aquecimento Global (PAG) = 675 (regulamento europeu UE 517/2014).
- A fim de cumprir as normas e regulamentos aplicáveis em termos de ambiente e instalação, em particular o Decreto n.º 2015-1790 e/ou regulamento europeu EU 517/2014, deve ser efetuado um teste de estanquidade no circuito de arrefecimento quando o aparelho é colocado em funcionamento pela primeira vez e pelo menos uma vez por ano. Esta operação deve ser realizada por um especialista certificado para testar aparelhos de arrefecimento.
- O aparelho deve ser armazenado numa sala sem fontes de ignição em funcionamento contínuo (por exemplo: chamas abertas, um aparelho a gás em funcionamento ou um aquecedor elétrico em funcionamento).
- Para mais informações, consultar as instruções de segurança relativas aos aparelhos que contêm gás R32 na versão alargada do manual, na qual são especificadas a verificação da área de campo, procedimento de trabalho, área de trabalho geral, verificação da presença de refrigerante, verificação da presença de um extintor de incêndio, ausência de fonte de ignição, ventilação da área, verificação do equipamento de refrigeração, verificação de componentes elétricos, reparação de componentes isolados, reparação de componentes intrínsecos, cablagem, deteção de refrigerante inflamável, remoção e descarga, procedimentos de carga e desmontagem.

#### Procedimento de trabalho

- Os trabalhos devem ser realizados sob um procedimento controlado de modo a minimizar o risco de presença de um gás ou vapor inflamável durante a realização dos trabalhos.

#### Área de trabalho geral

- Todo o pessoal de manutenção e outros que trabalham na área local serão instruídos sobre a natureza do trabalho que está a ser realizado. O trabalho em espaços confinados deve ser evitado.

#### Verificar a presença de refrigerante

- A área deve ser verificada com um detetor de refrigerante apropriado antes e durante o trabalho, para assegurar que o técnico está ciente de atmosferas potencialmente tóxicas ou inflamáveis. Assegurar que o equipamento de deteção de fugas utilizado é adequado para utilização com todos os refrigerantes aplicáveis, isto é, sem fugas, devidamente selado ou intrinsecamente seguro.

#### Verificar a presença de um extintor de incêndio

- Se qualquer trabalho que envolva calor tiver de ser realizado no equipamento frigorífico ou em quaisquer peças associadas, deverá estar disponível à mão equipamento de extinção de incêndios apropriado. Ter um pó seco ou CO<sub>2</sub>, extintor de incêndio adjacente à área de carga.

#### Nenhuma fonte de ignição

- Nenhuma pessoa que realize trabalhos relacionados com um sistema de refrigeração que implique a exposição de qualquer trabalho de tubagem deve utilizar quaisquer fontes de ignição de tal forma que possa conduzir ao risco de incêndio ou explosão. Todas as fontes de ignição possíveis, incluindo o fumo de cigarros, devem ser mantidas suficientemente afastadas do local de instalação, reparação, remoção e eliminação, durante o qual o refrigerante pode eventualmente ser libertado para o espaço circundante. Antes da realização dos trabalhos, a área em redor do equipamento deve ser vigiada para garantir que não existem riscos de inflamabilidade ou de ignição. Devem ser afixados sinais de "Proibido fumar".

#### Ventilação da área

- Antes de penetrar na unidade de qualquer forma para realizar qualquer serviço necessário, assegurar que a área esteja aberta e adequadamente ventilada. A ventilação adequada, para permitir a dispersão segura de qualquer refrigerante que possa ser inadvertidamente libertado para a atmosfera, deve ser mantida enquanto o serviço está a ser executado na unidade.



### INFORMAÇÃO SOBRE RECICLAGEM

- Contacte o seu retalhista para obter informações sobre reciclagem.

### INFORMAÇÃO DE PRODUTOS PARA PRODUTOS COM CONETIVIDADE

(Segundo a Diretiva sobre as Energias Renováveis)

#### Declaração de conformidade

Por este meio, a Zodiac declara que o equipamento de rádio do tipo Z350iQ está em conformidade com a Diretiva 2014/53/UE. O texto completo da Declaração de conformidade da Eu encontra-se disponível no seguinte endereço: <https://www.zodiac-poolcare.com/>.

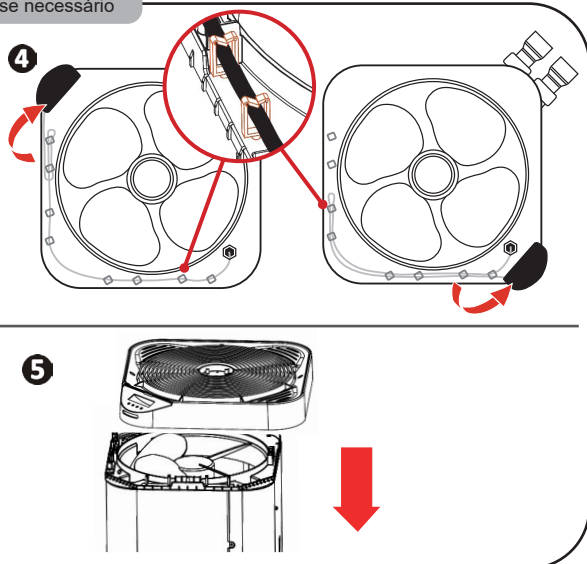
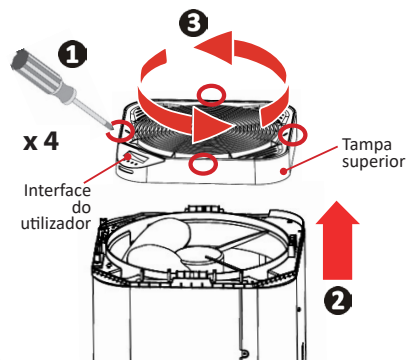
# 1 Instalar o aparelho



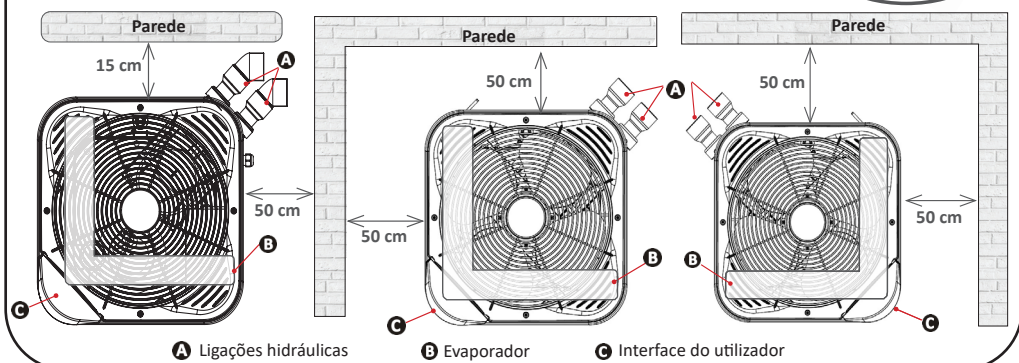
1 Instalação

Rodar o topo e a interface do utilizador, se necessário

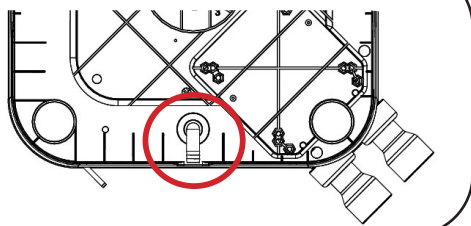
**⚠ CUIDADO:** A placa de visualização (abaixo do ecrã de visualização) é ligada por um cabo à placa de controlo no interior da unidade. Manusear cuidadosamente a tampa superior para não danificar este cabo.



Escolher o local e os conetores hidráulicos que melhor se adaptam à configuração da instalação



**Evacuar os condensados** Colocar um tubo de Ø18 no cotovelo ranhurado para ser montado debaixo da base do aparelho.



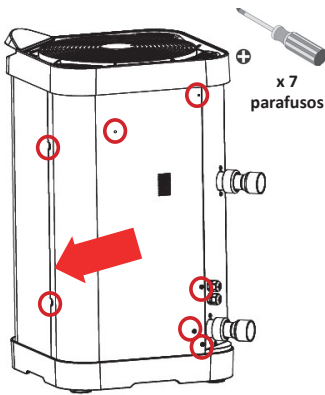
Consultar o manual online para mais detalhes sobre precauções de instalação e ligações hidráulicas.



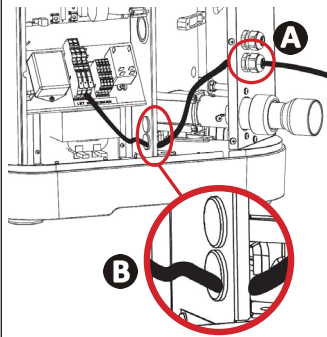
- Cortar o fornecimento de eletricidade antes de qualquer trabalho dentro do aparelho (risco de choque elétrico). A remoção da fonte de alimentação tem de ser tal que se possa sempre verificar a partir de qualquer um dos pontos a que se tem acesso que a fonte de alimentação permanece removida. Se tal não for possível, deverá fornecer uma desconexão com um sistema de bloqueio.
- Apenas um técnico qualificado e experiente está autorizado a realizar trabalhos de cablagem dentro do aparelho ou a substituir o cabo de alimentação.
- Certificar-se de que os parafusos dos terminais estão totalmente apertados (risco de incêndio). O aperto incorreto dos parafusos dos terminais irá cancelar a garantia.
- Não desligar o fornecimento de eletricidade quando o aparelho estiver em funcionamento. Se o fornecimento de energia elétrica for interrompido, aguarde um minuto antes de restaurar a energia.

## Ligar a unidade à fonte de alimentação e às opções

## 1 Abrir e remover.

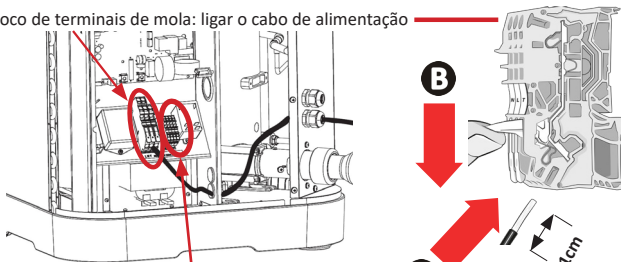


## 2 Passar o cabo de alimentação.

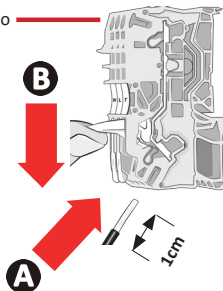


## 3 Ligar o cabo de alimentação. Para ligar opções: não passar os cabos através do mesmo buçim que o cabo de alimentação.

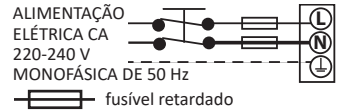
Bloco de terminais de mola: ligar o cabo de alimentação



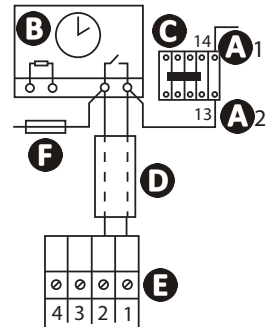
Bloco de terminais de parafuso: ligar as opções



## Ligação de alimentação elétrica

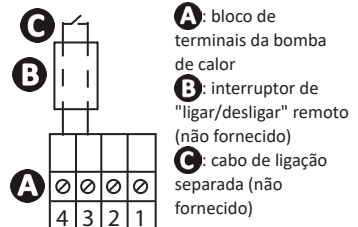


## Ligação da prioridade de aquecimento



- A1 - A2:** bobine do contacto da bomba de filtração  
**B:** temporizador de filtração  
**C:** carga do contacto (tripolar ou bipolar para a bomba de filtração)  
**D:** cabo separado para a função de "prioridade de aquecimento" (não fornecido)  
**E:** bloco de terminais da bomba de calor  
**F:** fusível

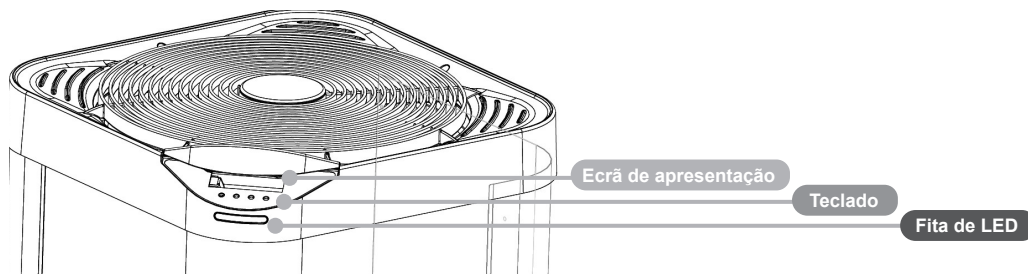
## Ligação para "LIGAR/DESLIGAR" remoto



## Cablagem e proteção de cabos

Modelo	Fornecimento de eletricidade	Corrente máxima	Diâmetro do cabo*	Proteção magnética térmica
MD4	220 - 240 V Monofásico 50 Hz	9,1	<ul style="list-style-type: none"> <li>• Tipo H07RN-F</li> <li>• Diâmetro: entre 13 e 18 mm</li> <li>• Secção mín. de cabos:               <ul style="list-style-type: none"> <li>- para cabo de alimentação elétrica: 3x2,5 mm<sup>2</sup></li> <li>- para cabo de opção: 2x0,75 mm<sup>2</sup></li> </ul> </li> </ul>	Curva C ou D 30 mA
MD5		10,8		
MD6		13,5		

60 \*Cabos de secção transversal adequados para um comprimento máximo de 20 metros.



## Ecrã de apresentação



## 3 modos:

- BOOST
- SMART
- SILENCE

Temperatura da água medida

## Fita de LED

(acesa por predefinição)  
Para desligar, ver a pág. 4

- Verde - "Aquecimento"
- A bomba de calor está a aquecer a água
  - Ponto de regulação de temperatura atingido

- Azul - "Arrefecimento"
- A bomba de calor está a arrefecer a água

- Vermelho - "Erro"
- Ver manual online

## Teclado



- Mudança de modo
- Acesso ao menu (premir e manter)
- Validação (confirmar)



- Navegação
- Definição de valores



- LIGAR/DESLIGAR (premir e manter)
- Regressar/voltar

## Luzes do indicador

	Estável	Intermitente	Desligado
	Teclado bloqueado	-	Teclado desbloqueado
	Caudal de água bom	Caudal de água demasiado baixo ou em falta	-
	Indica o modo selecionado	-	-
	-	Temperatura do ar fora do intervalo de funcionamento	Temperatura do ar dentro do intervalo de funcionamento
°C °F	Unidade de temperatura selecionada	-	-
	Wi-Fi ligado	Emparelhamento do Wi-Fi em curso	Wi-Fi desligado

**Bloquear/Desbloquear o teclado**

3 segundos

**Definir bloqueio automático** (ativado por predefinição)

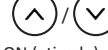
Premir e manter



Até "P19"



Confirmar

ON (ativado) ou  
OFF (desativado)

Confirmar

**Ajustar o ponto de ajuste da temperatura**

Premir a partir do ecrã principal para ajustar o valor



Aumentar ou diminuir a temperatura



Confirmar (automático se mais de 30 segundos de inatividade)

**Temperatura recomendada:** 28 °C  
**Temperatura máx:** 32°**Ativar/desativar o modo de arrefecimento** (desativado por predefinição)

A ativação do modo Arrefecimento é validada por 3 intermitências azuis sucessivas.



Premir sem soltar até o ecrã apresentar "COOL"



Confirmar



ON (ativado) ou OFF (desativado)



Confirmar

**Selecionar os modos de Aquecimento**

A bomba de calor tem 3 modos de funcionamento ativos para ajustar a sua velocidade de funcionamento à potência necessária e ao modo que é selecionado:

- Modo "BOOST"
- Modo "SMART"
- Modo "SILENCE"



Premir a partir do ecrã principal: o indicador ▶ para em frente de um dos 3 modos

**Desativar a fita de LED** (acesa por predefinição)

Premir e manter a partir do ecrã principal: o ecrã apresenta "COOL"



o ecrã apresenta "LED"



Confirmar



ON (ativado) ou OFF (desativado)



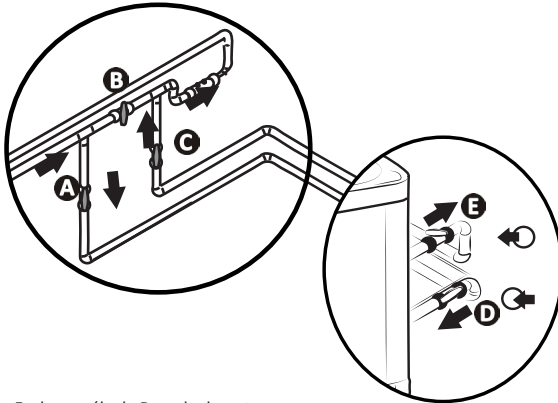
Confirmar




Consultar o manual online para mais detalhes sobre os modos de funcionamento e o comportamento das fitas LED.



## Abrir o circuito hidráulico

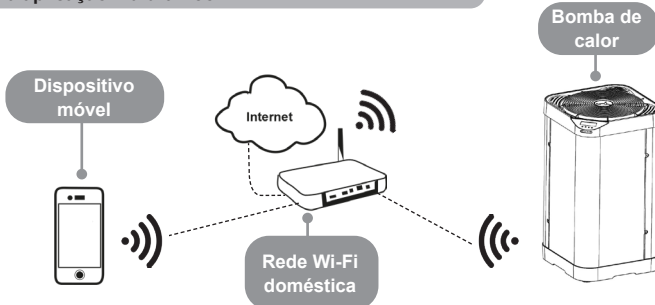


**CUIDADO:** Uma definição de desvio incorreta pode causar o mau funcionamento da bomba de calor.

- Fechar a válvula B gradualmente.
- Abrir completamente as válvulas A, C e D. Abrir a válvula E pela metade (o ar acumulado no condensador e o circuito de filtragem esvaziar-se-á). Se as válvulas D e E não estiverem presentes, abrir a válvula A totalmente e fechar a válvula C pela metade.
- Ligar a fonte de alimentação à bomba de calor.
- Se a bomba de calor estiver em modo de espera, premir  durante 3 segundos; o ecrã de proteção aparece durante 4 segundos e, em seguida, o ecrã principal é apresentado. Será iniciado um temporizador de 2 minutos.
- Ajustar a temperatura desejada.



## Ligar à aplicação Fluidra Pool



A bomba de calor pode ser controlada remotamente a partir de um smartphone ou tablet, através da aplicação Fluidra Pool disponível para os sistemas iOS e Android. Antes de ligar à aplicação Fluidra Pool, garantir que o utilizador:

- Utiliza um smartphone ou tablet com Wi-Fi.
- Utiliza uma rede Wi-Fi com um sinal razoavelmente forte ao ligar à bomba de calor: o sinal Wi-Fi deve ser detetável no local onde o aparelho é utilizado. Se não for este o caso, deve ser fornecida uma solução técnica para amplificar o sinal existente.
- Descansa perto do aparelho e tem a respetiva palavra-passe da rede Wi-Fi doméstica no local onde está a ser utilizado.

Descarregar a aplicação Fluidra Pool



Premir e manter

O ecrã apresenta «bLE»

Abrir a aplicação e seguir as etapas descritas na aplicação para incluir a bomba de calor.



## Preparação para o inverno

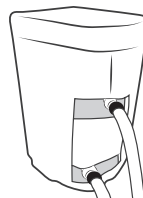


Premir e manter premido para desligar o aparelho

Desligar a fonte de alimentação

Fechar as válvulas A e C e abrir as válvulas D e E (se presentes)

Drenar a água do condensador para evitar qualquer risco de congelamento



Colocar a micro cobertura arejada de preparação para o inverno

- No caso de preparação completa para o inverno para a piscina (paragem completa do sistema de filtração, purga do circuito de filtração ou mesmo drenagem da piscina): reajustar os dois conetores por uma volta para evitar que quaisquer corpos estranhos entrem no condensador.
- No caso de preparação para o inverno apenas para a bomba de calor (desligamento do aquecimento apenas, a filtração continua a funcionar): não aperte os conetores mas adicione 2 tampas (fornecidas) nas entradas e saídas de água do condensador.
- Colocar a micro cobertura arejada de preparação para o inverno (fornecida) na bomba de calor passando as ligações hidráulicas através da abertura prevista para o efeito. Não é necessário desligar as ligações hidráulicas e elétricas.



- A preparação para o inverno é vital para evitar que o condensador se parta devido ao congelamento (o congelamento sem preparação para o inverno não é coberto pela garantia).
- Para evitar danificar o aparelho com a condensação, não o cubra totalmente; utilize a cobertura de proteção para o inverno fornecida.



## Manutenção

- Certificar-se de que a rede de ventilação não está bloqueada por nenhum corpo estranho.
- Limpar o evaporador utilizando uma escova macia e um pulverizador de água doce (desligar o cabo de alimentação).
- Limpar a linha de drenagem do condensado para remover quaisquer impurezas que o possam estar a bloquear.
- Certificar-se de que a rede de ventilação da caixa de interruptores está limpa.
- Não utilizar um jato de alta pressão. Não pulverizar com água da chuva, água salgada ou água que esteja cheia de minerais.
- Limpar o exterior do aparelho; não utilizar quaisquer produtos à base de solventes. Pode utilizar um kit de limpeza específico como acessório: o PAC NET.




- Não desligar o fornecimento de eletricidade quando o aparelho estiver em funcionamento. Se o fornecimento de energia elétrica for interrompido, aguarde um minuto antes de restaurar a energia do aparelho.
- Antes de qualquer operação de manutenção, resolução de problemas ou reparação, recomenda-se desativar a ligação Wi-Fi do modem para evitar qualquer risco de o aparelho ser controlado remotamente.
- Recomenda-se que o aparelho seja submetido a manutenção geral pelo menos uma vez por ano para garantir o seu bom funcionamento, manter os níveis de desempenho e potencialmente evitar certas falhas. Estas operações são levadas a cabo a cargo do utilizador por um técnico.







Consultar o manual online para mais detalhes sobre as instruções de segurança relativas ao refrigerante R32 e as tarefas de manutenção que têm de ser realizadas por um técnico qualificado.





- Antes de entrar em contacto com o distribuidor, efetue estas pequenas verificações simples se ocorrer algum problema. Se o problema não ficar resolvido, contacte o seu distribuidor.
-  : Ações a serem executadas apenas por um técnico qualificado.

### Comportamento do aparelho

<p>O aparelho não começa a aquecer de imediato</p>	<ul style="list-style-type: none"> <li>• Quando o caudal de água é inexistente ou insuficiente, o aparelho para: verificar se a água está a circular corretamente no aparelho e se as ligações hidráulicas estão corretas.</li> <li>• O aparelho para quando a temperatura exterior cai abaixo de -7 °C.</li> </ul>
<p>O aparelho está a descarregar água</p>	<ul style="list-style-type: none"> <li>• Para verificar se a água não vem de uma fuga no circuito da piscina no aparelho, desligue-o e faça funcionar a bomba de filtragem para fazer circular a água no aparelho. Se a água continuar a fluir através das linhas de drenagem de condensado, há uma fuga de água no aparelho: contacte o seu distribuidor.</li> </ul>
<p>O evaporador está coberto de gelo</p>	<ul style="list-style-type: none"> <li>• O aparelho mudará em breve para o ciclo de descongelação para derreter o gelo.</li> <li>• Se o aparelho não conseguir descongelar o evaporador, parará por si mesmo; isto significa que a temperatura exterior é demasiado baixa (abaixo de -7 °C).</li> </ul>
<p>O aparelho está a deitar fumo</p>	<ul style="list-style-type: none"> <li>• Se o aparelho não estiver no ciclo de descongelação, isto não é normal. Desligue imediatamente o aparelho e desligue-o da tomada e contacte o seu distribuidor.</li> </ul>
<p>O aparelho não está a funcionar</p>	<ul style="list-style-type: none"> <li>•  Se não houver ecrã, verificar a tensão de alimentação e o fusível F1.</li> <li>• Quando o caudal de água é inexistente ou insuficiente, o aparelho para: verificar se a água está a circular corretamente no aparelho.</li> </ul>
<p>O ventilador está a funcionar mas o compressor para de vez em quando sem mensagem de erro.</p>	<ul style="list-style-type: none"> <li>• Se a temperatura exterior for baixa, o aparelho realizará ciclos de descongelação.</li> <li>• O aparelho é incapaz de captar calor suficiente, uma vez que o evaporador está entupido com sujidade. Limpe-o para restaurar o desempenho.</li> </ul>
<p>O aparelho está a funcionar mas a temperatura da água não aumenta</p>	<ul style="list-style-type: none"> <li>• O modo de funcionamento não é suficientemente potente (aparelho no modo "SILENCE" ou "SMART"). Mude para o modo "BOOST" e defina a filtragem para 24/24 manual enquanto a temperatura aumenta.</li> <li>• Verifique se a válvula de enchimento automático não está presa na posição aberta; isto continuará a fornecer água fria para a piscina e impedirá que a temperatura suba.</li> <li>• Há demasiada perda de calor pois o ar é frio. Instale uma proteção com isolamento térmico na piscina.</li> <li>• O aparelho é incapaz de captar calor suficiente, uma vez que o evaporador está entupido com sujidade. Limpe-o para restaurar o desempenho.</li> <li>•  Verifique se o aparelho tem o tamanho certo para esta piscina e para o ambiente.</li> </ul>
<p>O aparelho faz disparar o disjuntor</p>	<ul style="list-style-type: none"> <li>•  Verifique se o disjuntor está corretamente dimensionado e se a secção do cabo utilizada é correta.</li> <li>•  A tensão de alimentação é demasiado baixa; contacte o seu fornecedor de eletricidade.</li> </ul>



Consulte o manual online para mais detalhes sobre a visualização de códigos de erro, o comportamento dos LEDs na placa de circuito impresso e os diagramas de cablagem.



Desempenhos: ar a 28 °C / água a 28 °C / humidade a 80%

		MD4	MD5	MD6
Potência de saída (velocidade máxima-mín)	kW	11 - 3,1	14 - 4,4	16 - 4,7
Potência consumida (velocidade máxima-mín)	kW	1,9 - 0,3	2,6 - 0,5	3,2 - 0,5
COP média (velocidade máxima-mín)		5,8 - 10,3	5,4 - 8,8	5 - 9,4

## Especificações técnicas

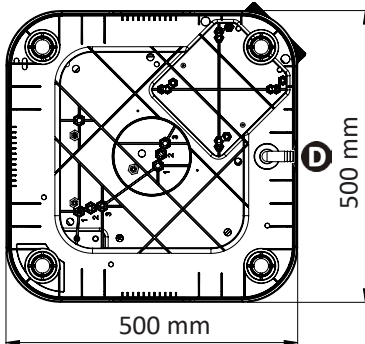
Temperatura de funcionamento	Ar	No modo "aquecimento": de -7 a 35 °C No modo "arrefecimento": de 10 a 35 °C
	Água	de 15 a 32 °C
Pressão de funcionamento	Refrigerante	de 2 a 42 bar (de 0,2 a 4,2 MPa)
	Água	de 0 a 2 bar (de 0 a 0,2 MPa)
Alimentação elétrica		220 - 240 V ~ / monofásica / 50 Hz
Varição admissível na tensão		± 6% (durante a operação)
Ligações hidráulicas		2 uniões em PVC Ø 40 2 reduções em PVC Ø 40/50 2 uniões em PVC 45° Ø 50
Tipo de fluido de arrefecimento		R32
Classificação de proteção		IP24
Bandas de frequência	GHz	2,400 - 2,497
Potência de emissão de radiofrequências	dBm	+19,5
Local de instalação		Interior/Exterior

## Especificações técnicas

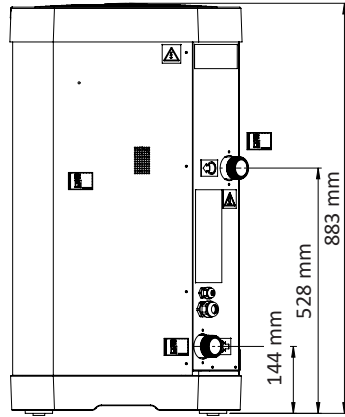
		MD4	MD5	MD6
Requisitos de corrente elétrica nominal	A	8	10,1	12,3
Requisitos de corrente elétrica máxima	A	9,0	12,3	15,9
Secção mínima de cabos*	mm <sup>2</sup>	3x2,5	3x2,5	3x2,5
Potência de som (máx-mín)	db(A)	70 - 64	71 - 63	73 - 65
Pressão sonora a 10 m (máx-mín)	db(A)	39 - 33	40 - 32	42 - 34
Caudal de água recomendado	m <sup>3</sup> /h	3,4	4,2	5
Carga de fluido de arrefecimento	kg	0,7	0,85	0,95
	Tonelada de CO2 eq.	0,47	0,57	0,64
Peso aproximado	kg	41	46	47

\* Os valores fornecidos para efeitos de informação para um comprimento máximo de 20 metros (base de cálculo: NFC15-100), devem ser verificados e adaptados às condições e normas de instalação do país de instalação.

## Dimensões



Fundo



Traseira

<b>A</b>	Porta para acesso técnico
<b>B</b>	Entrada de água da piscina
<b>C</b>	Saída de água da piscina
<b>D</b>	Drenagem da condensação

## 9 Símbolos dos diagramas de cablagem



### 4.4 Diagramas de cablagem

Símbolo	Descrição	Símbolo	Descrição
A1	Quadro de regulação eletrónica	FS	Interruptor de caudal
A2	Quadro de visualização (HMI)	V1 - V2	Varistor
A4	Placa eletrónica do compressor	G/Y	Verde/Amarelo
CM	Compressor	BLK	Preto
EEV	Válvula de expansão eletrónica	BLU	Azul
F1 - F2	Fusível	BRN	Castanho
FAN	Motor do ventilador	ORG	Laranja
HP	Comutador de pressão elevada	PNK	Rosa
ST1	Sensor de temperatura da entrada de água	RED	Vermelho
ST2	Sensor de temperatura do ar ambiente	GRY	Cinzento
ST3	Sensor de temperatura da bobina	BLK	Preto
ST4	Sensor de temperatura da linha líquida	VLT	Roxo
ST5	Sensor de temperatura da descarga	WHT	Branco
4WV	Válvula de 4 vias	YEL	Amarelo



Consultar esta tabela para ler a etiqueta dos diagramas de cablagem na parte de trás da caixa elétrica. Os diagramas de cablagem também estão disponíveis no manual online.



## WAARSCHUWINGEN



Deze handleiding bevat alleen basisinformatie over de veiligheidsmaatregelen die tijdens de installatie, het onderhoud en de inbedrijfstelling moeten worden genomen. De volledige handleiding kan worden gelezen en als een PDF-bestand worden gedownload van de website: [www.zodiac.com](http://www.zodiac.com). Alle montage-, elektrische installatie- en onderhoudswerkzaamheden moeten worden uitgevoerd door gekwalificeerd, geautoriseerd personeel dat deze handleiding aandachtig en volledig heeft gelezen. We behouden ons het recht voor om de eigenschappen van onze producten of de inhoud van dit document, gedeeltelijk of volledig, te wijzigen, zonder voorafgaande kennisgeving.



### ALGEMENE WAARSCHUWINGEN

- Het apparaat is bedoeld om gebruikt te worden voor zwembaden en spa's voor een bepaald doeleinde; het mag niet worden gebruikt voor een ander doeleinde dan waar het voor ontworpen werd.
- De waarschuwingen negeren, kan de zwembadapparatuur ernstig beschadigen of ernstig letsel, zelfs de dood, veroorzaken.
- Dit apparaat is niet bedoeld voor gebruik door personen (waaronder kinderen) met verminderde fysieke, zintuiglijke of mentale capaciteiten, of een gebrek aan ervaring en kennis, tenzij zij toezicht of instructie hebben gekregen over het gebruik van het apparaat door een persoon die verantwoordelijk is voor hun veiligheid. Kinderen moeten onder toezicht staan om ervoor te zorgen dat ze niet met het apparaat spelen.
- Dit apparaat kan worden gebruikt door kinderen vanaf 8 jaar en personen met verminderde fysieke, zintuiglijke of mentale capaciteiten of een gebrek aan ervaring en kennis, indien zij toezicht of instructie hebben gekregen over het veilige gebruik van het apparaat en de risico's ervan begrijpen. Kinderen mogen niet met het apparaat spelen. Reiniging en onderhoud mag niet zonder toezicht door kinderen worden uitgevoerd.
- Het apparaat moet geïnstalleerd worden volgens de instructies van de fabrikant en overeenkomstig lokale en nationale regelgeving.
- Onze producten mogen alleen worden gemonteerd en geïnstalleerd in zwembaden die voldoen aan de normen IEC / HD 60364-7-702 en de vereiste nationale regels. De installatie moet voldoen aan de norm IEC/HD 60364-7-702 en de vereiste nationale regels voor zwembaden. Raadpleeg u lokale handelaar voor meer informatie.



### WAARSCHUWINGEN BETREFFENDE ELEKTRISCHE APPARATEN

- De voeding van het apparaat moet worden beveiligd door een eigen 30 mA verliesstroomschakelaar (RCD), overeenkomstig de geldende normen en regelgeving in het land waar het geïnstalleerd wordt.
- De apparatuur zal geen elektrische onderbrekingschakelaar bevatten; plaats een voedingsonderbreking in de vaste bedrading van ten minste OVC III, overeenkomstig de geldende nationale wetgeving.
- Als het netsnoer beschadigd is, mag dit alleen door de fabrikant, een erkende vertegenwoordiger of werkplaats vervangen worden.



### WAARSCHUWINGEN BETREFFENDE APPARATEN MET R32-KOELMIDDEL



- Dit apparaat bevat R32-koelmiddel, een klasse A2L-koelmiddel, wat als mogelijk brandbaar beschouwd wordt.
- Laat R32-vloeistof niet in de atmosfeer terechtkomen. Dit is een gefluoreerd broeikasgas, gereguleerd door het Kyoto-protocol, met een globaal opwarmingsvermogen (GWP) = 675 (Europese verordening EU 517/2014).
- Om te voldoen aan de geldende normen en regelgeving met betrekking tot het milieu en de installatie, in het bijzonder Besluit nr. 2015-1790 en/of Europese verordening EU 517/2014, moet een lektest uitgevoerd worden op het koelcircuit wanneer het apparaat voor de eerste keer gestart wordt en minstens een keer per jaar. Deze handeling moet worden uitgevoerd door een specialist, gecertificeerd voor het testen van koelapparaten
- Het apparaat moet opgeslagen worden in een kamer zonder voortdurend werkende ontstekingsbronnen (bijvoorbeeld: open vlammen, een werkend gasapparaat of een werkende elektrische kachel).
- Raadpleeg voor meer informatie de veiligheidsinstructies betreffende apparaten met R32 in de uitgebreide versie van de handleiding, waarin de velden omgevingscontrole, werkprocedure, algemene werkomgeving, controle op de aanwezigheid van koelmiddel, controle op de aanwezigheid van een brandblusser, geen ontstekingsbron, luchtventilatie, controle koelmiddeluitrusting, controle elektrische onderdelen, reparatie van geïsoleerde onderdelen, reparatie van intrinsieke onderdelen, bedrading, detectie van brandbaar koelmiddel, verwijdering en ontlading, laadprocedures en ontmantelen gespecificeerd worden.



### INSTALLATIE EN ONDERHOUD

- Alleen een persoon die is gekwalificeerd in de betreffende vlakken (elektriciteit, hydraulica of koeling) is bevoegd om installatie-, onderhouds- of reparatiewerken uit te voeren aan het apparaat
- Het apparaat mag niet dicht bij brandbare materialen of het luchtinlaatkanaal van een aangrenzend gebouw geïnstalleerd worden.
- Tijdens het onderhouden van het apparaat, moet de samenstelling en toestand van de warmteoverdrachtsvloeistof gecontroleerd worden, samen met de afwezigheid van sporen van koelmiddel.
- Tijdens de jaarlijkse dichtingstest van het apparaat overeenkomstig de geldende wetgeving, moeten de hoge- en lagedrukschakelaars getest worden om te verzekeren dat ze goed aan het koelcircuit bevestigd zijn en dat ze de elektrische kring uitschakelen wanneer ze geactiveerd worden.
- Verzeker tijdens onderhoudswerken dat er geen sporen van corrosie of olie rond de koelonderdelen zijn.
- Stop het apparaat vóór aanvang van werken aan het koelcircuit en wacht enkele minuten vóór het plaatsen van de temperatuur- en druksensoren. Sommige onderdelen zoals de compressor en het leidingwerk, kunnen temperaturen tot boven 100°C en hoge drukken bereiken, met het risico op ernstige brandwonden als gevolg.



## WAARSCHUWINGEN



### SPECIFICATIES KOELMIDDEL

#### Controle van de omgeving

- Dit apparaat bevat R32-koelmiddel, een klasse A2L-koelmiddel, wat als mogelijk brandbaar beschouwd wordt.
- Laat R32-vloeistof niet in de atmosfeer terechtkomen. Dit is een gefluoreerd broeikasgas, gereguleerd door het Kyoto-protocol, met een globaal opwarmingsvermogen (GWP) = 675 (Europese verordening EU 517/2014).
- Om te voldoen aan de geldende normen en regelgeving met betrekking tot het milieu en de installatie, in het bijzonder Besluit nr. 2015-1790 en/of Europese verordening EU 517/2014, moet een lektest uitgevoerd worden op het koelcircuit wanneer het apparaat voor de eerste keer gestart wordt en minstens een keer per jaar. Deze handeling moet worden uitgevoerd door een specialist, gecertificeerd voor het testen van koelapparaten
- Het apparaat moet opgeslagen worden in een kamer zonder voortdurend werkende ontstekingsbronnen (bijvoorbeeld: open vlammen, een werkend gasapparaat of een werkende elektrische kachel).
- Raadpleeg voor meer informatie de veiligheidsinstructies betreffende apparaten met R32 in de uitgebreide versie van de handleiding, waarin de velden omgevingscontrole, werkprocedure, algemene werkomgeving, controle op de aanwezigheid van koelmiddel, controle op de aanwezigheid van een brandblusser, geen ontstekingsbron, luchtventilatie, controle koelmiddeluitrusting, controle elektrische onderdelen, reparatie van geïsoleerde onderdelen, reparatie van intrinsieke onderdelen, bedrading, detectie van brandbaar koelmiddel, verwijdering en ontleding, laadprocedures en ontmantelen gespecificeerd worden.

#### Werkprocedure

- Werken zullen uitgevoerd worden aan de hand van een gecontroleerde procedure, om het risico op de aanwezigheid van een brandbaar gas of een brandbare damp tijdens het uitvoeren van het werk te minimaliseren.

#### Algemene werkomgeving

- Al het onderhoudspersoneel en andere personen die aan het werk zijn in de omgeving, zullen op de hoogte worden gebracht van de aard van het werk dat uitgevoerd wordt. Werken in besloten ruimtes zal vermeden worden.

#### Controle op de aanwezigheid van koelmiddel

- De omgeving zal voor en tijdens de werken gecontroleerd worden met een geschikte detector voor koelmiddel, om te verzekeren dat de technicus zich bewust is van mogelijk giftige of brandbare atmosferen. Verzeker dat de lekdetectieapparatuur die gebruikt wordt geschikt is voor alle toepasselijke koelmiddelen, dit wil zeggen vonkvrij, afdoende afgedicht of intrinsiek veilig.

#### Controle op de aanwezigheid van een brandblusser

- Als er warm werk uitgevoerd moet worden op de koelapparatuur of daaraan verbonden onderdelen, zal de gepaste brandbestrijdingsuitrusting ter plaatse zijn. Zet een brandblusser met droog poeder of CO2 naast de laadomgeving.

#### Geen ontstekingsbron

- Er zal niemand die werk uitvoert aan een koelsysteem waarbij leidingwerk wordt blootgesteld, een ontstekingsbron gebruiken op een manier die kan leiden tot een risico op brand of een ontploffing. Alle mogelijke ontstekingsbronnen, met inbegrip van het roken van sigaretten, moeten voldoende ver uit de buurt wordt gehouden van de plaats van installatie, reparatie, verwijdering en ontmanteling, waarbij mogelijk koelmiddel kan vrijkomen in de omliggende omgeving. Vóór aanvang van de werkzaamheden, moet de omgeving rond de apparatuur gecontroleerd worden om te verzekeren dat er geen risico's op brand of ontsteking zijn. "Verboden te roken" borden zullen geplaatst worden.

#### Ventilatie van de omgeving

- Verzeker voordat de eenheid op om het even welke manier geopentreedt wordt, dat de omgeving open en voldoende geventileerd is. Goede ventilatie, voor het veilig kunnen afvoeren van koelmiddel dat mogelijk per ongeluk in de atmosfeer terecht is gekomen, moet behouden blijven tijdens het uitvoeren van onderhoudswerken aan de eenheid.



### INFORMATIE OVER RECYCLING

- Neem voor meer informatie over recycling contact op met uw handelaar.

### PRODUCTINFORMATIE VOOR PRODUCTEN MET CONNECTIVITEIT (Onder RED-richtlijn)

#### Conformiteitsverklaring

Hierbij verklaart Zodiac dat de radioapparatuur van het type Z350iQ conform Richtlijn 2014/53/EU is. De volledige tekst van de EU-conformiteitsverklaring kan worden bekeken op het volgende adres: <https://www.zodiac-poolcare.com/>.

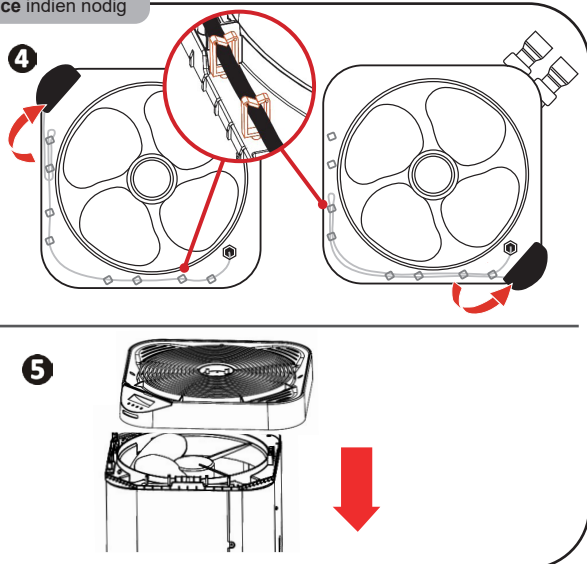
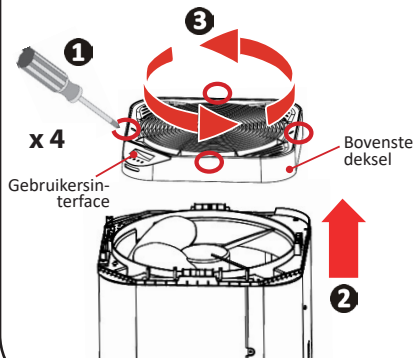
# 1 Het apparaat installeren



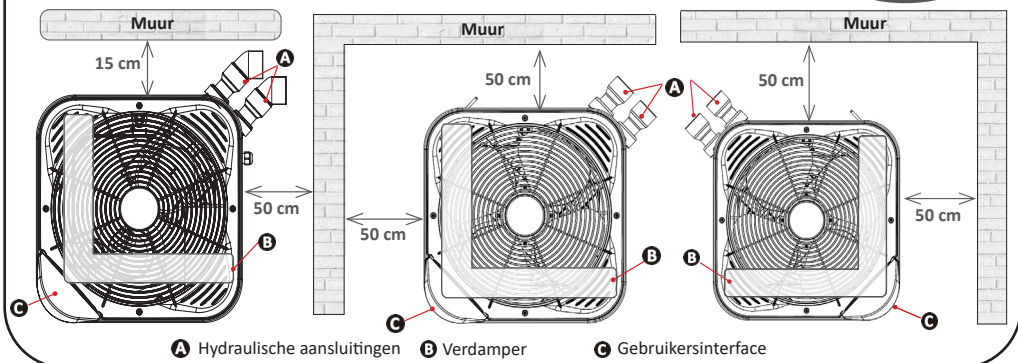
1 Installatie

Draai de bovenkant en gebruikersinterface indien nodig

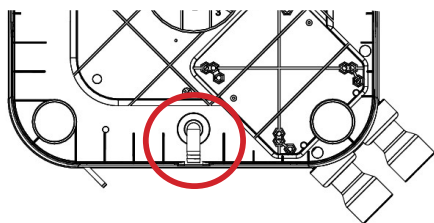
**⚠ LET OP:** Het schermbord (onder het scherm) is met een kabel aangesloten op het bedieningsbord in de eenheid. **Behandel het bovenste deksel voorzichtig om deze kabel niet te beschadigen.**



Kies de locatie en de hydraulische aansluitingen die het best passen bij de installatieconfiguratie



**Evacueer het condensaat** Bevestig een Ø18 leiding om aan de gegroefde elleboog onder de sokkel van het apparaat te monteren.



Raadpleeg de online handleiding voor meer informatie over voorzorgsmaatregelen bij de installatie en hydraulische aansluitingen.

## 2 Aansluitingen elektrische voeding

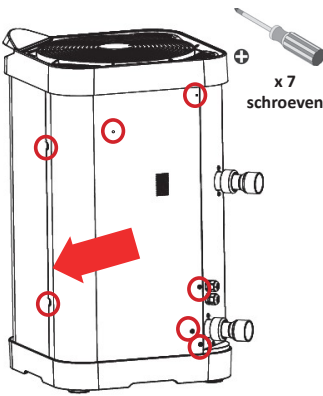


1 Installatie

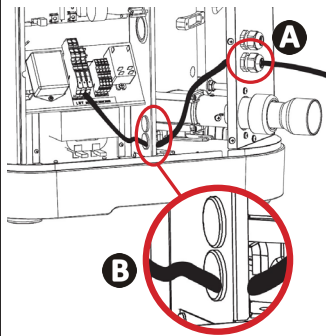
- Schakel de elektrische voeding uit vóór het werken binnenin het apparaat (risico op elektrische schok). Het uitschakelen van de voeding moet gebeuren op een manier waarop u altijd kunt controleren vanaf de punten waarop u in de apparatuur gaat of de voeding nog altijd uitgeschakeld is. Als dit niet mogelijk is, moet u een onderbreking met vergrendelingsysteem voorzien.
- Alleen een gekwalificeerde en ervaren elektricien is bevoegd om bekabelingswerk uit te voeren binnenin het apparaat of om het netsnoer te vervangen.
- Verzekert dat de klemmenblokken volledig vast staan (risico op brand). Onjuist vastgezette klemmenblokken zullen de garantie doen vervallen.
- Schakel de elektrische voeding niet uit wanneer het apparaat in werking is. Als de elektrische voeding onderbroken wordt, wacht dan een minuut om deze opnieuw in te schakelen.

### De eenheid aansluiten op de voeding en opties

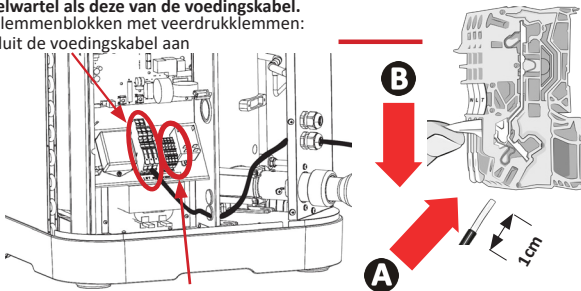
#### 1 Open en verwijder.



#### 2 Voer de voedingskabel door.



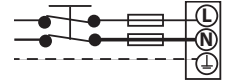
#### 3 Sluit de voedingskabel aan. Aansluitopties: voer de kabels niet door dezelfde kabelwartel als deze van de voedingskabel. Klemmenblokken met veerdrukklemmen: sluit de voedingskabel aan



Klemmenblok met schroeven: sluit de opties aan

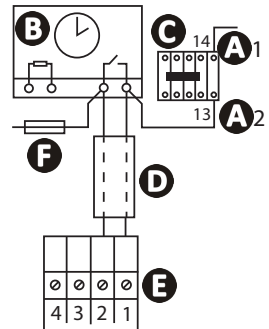
### Voedingsaansluiting

VOEDING AC  
220-240 V  
1 FASE 50 Hz



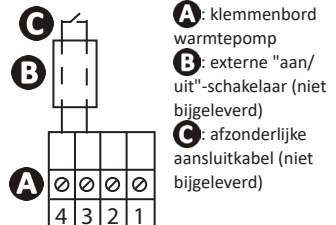
— smeltzekering

### Aansluiting verwarmingsprioriteit



- A1 - A2:** voeding voor spoel voedingscontactor filtratiepomp
- B:** filtratietimer
- C:** voedingscontactor (tripolair of bipolair) voor motor filtratiesysteem
- D:** afzonderlijke kabel voor de functie "verwarmingsprioriteit" (niet bijgeleverd)
- E:** klemmenbord warmtepomp
- F:** zekering

### Externe "AAN/UIT"-aansluiting

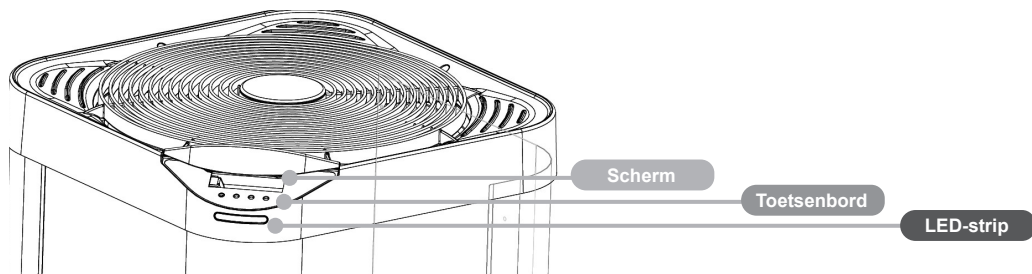


- A:** klemmenbord warmtepomp
- B:** externe "aan/uit"-schakelaar (niet bijgeleverd)
- C:** afzonderlijke aansluitkabel (niet bijgeleverd)

### Bekabeling en beveiliging

Model	Elektrische voeding	Max. stroom	Kabeldiameter*	Thermische magnetische beveiliging
MD4	220 - 240 V 1 fase 50 Hz	9,1	<ul style="list-style-type: none"> <li>• H07RN-F type</li> <li>• Afstand: tussen 13 en 18 mm</li> <li>• Min. kabeldoorsnede: - voor voedingskabel: 3x2,5 mm<sup>2</sup></li> <li>- voor optiekabel: 2x0,75 mm<sup>2</sup></li> </ul>	C of D curve 30 mA
MD5		10,8		
MD6		13,5		

\*Kabeldoorsnede geschikt voor een maximale lengte van 20 meter.



## Scherm



## LED-strip (standaard verlicht)

Om deze uit te schakelen, zie p. 4

## Groen - "Verwarmen"

- De warmtepomp verwarmt het water op
- Instelpunt voor temperatuur bereikt

## Blauw - "Koelen"

- De warmtepomp koelt het water

## Rood - "Fout"

- Zie online handleiding

## Toetsbord



- Moduswijziging
- Menu openen (drukken en ingedrukt houden)
- Validering (bevestigen)



- Bladeren
- Waarden instellen

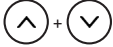


- AAN / UIT (drukken en ingedrukt houden)
- Return / back

## Indicatielampjes

	Vast	Knipperend	Uit
	Toetsenblok vergrendeld	-	Toetsenbord ontgrendeld
	Waterdebiet oké	Waterdebiet te laag of geen debiet	-
	Geef de geselecteerde modus aan	-	-
	-	Luchttemperatuur buiten het bedrijfsbereik	Luchttemperatuur binnen het bedrijfsbereik
°C °F	Geselecteerde eenheid voor temperatuur	-	-
	Wi-Fi verbonden	Wi-Fi koppelen bezig	Wi-Fi niet verbonden



**Het toetsenblok vergrendelen/ontgrendelen**

3 seconden

**Automatische vergrendeling instellen** (standaard ingeschakeld)

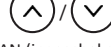
Drukken en ingedrukt houden



Tot "P19"



Bevestigen

AAN (ingeschakeld)  
of UIT (uitgeschakeld)

Bevestigen

**Het instelpunt voor de temperatuur aanpassen**

Druk vanuit het hoofdscherm om de waarde aan te passen



Temperatuur verhogen of verlagen



Bevestigen (automatisch indien langer dan 30 seconden inactiviteit)

**Aanbevolen temperatuur:**  
28°C  
**Max temperatuur:** 32°**De koelmodus activeren/deactiveren** (standaard uitgeschakeld)

De activering van de koelmodus wordt gevalideerd door 3 opeenvolgende keren blauw knipperen.



Blijf drukken tot het scherm "KOELEN" weergeeft



Bevestigen



AAN (ingeschakeld) of UIT (uitgeschakeld)




Bevestigen

**De verwarmingsmodi selecteren**

De warmtepomp heeft 3 actieve bedrijfsmodi voor het aanpassen van zijn bedrijfsnelheid aan het vermogen dat vereist is en de modus die geselecteerd is:

- "BOOST"-modus
- "SMART"-modus
- "SILENCE"-modus

Druk vanuit het hoofdscherm: het  indicatielampje stopt voor een van de 3 modi**De LED-strip uitschakelen** (standaard verlicht)

Ingedrukt houden vanuit het hoofdscherm: het scherm geeft "KOELEN" weer



het scherm geeft "LED" weer



Bevestigen

AAN (ingeschakeld)  
of UIT (uitgeschakeld)

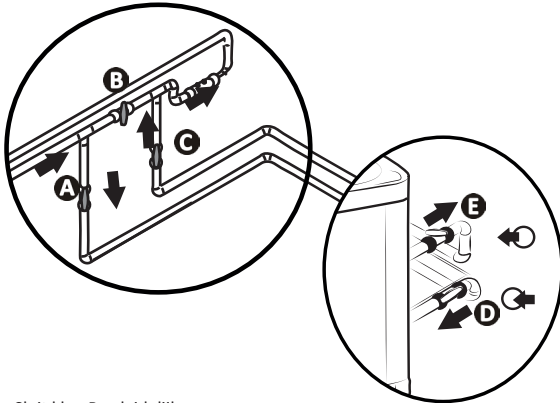
Bevestigen




Raadpleeg de online handleiding voor meer informatie over de bedrijfsmodi en het gedrag van de LED-strip.



## Het hydraulisch circuit openen

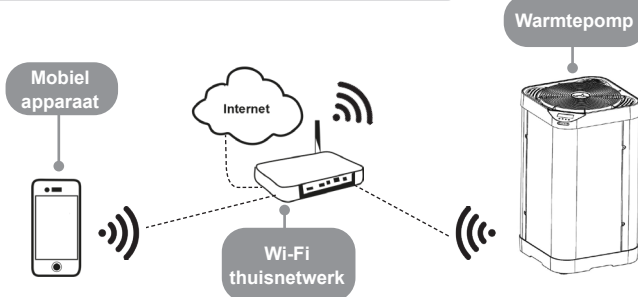


**LET OP:** Een onjuiste instelling van de bypass kan ervoor zorgen dat de warmtepomp niet goed werkt.

- Sluit klep B geleidelijk.
- Open kleppen A, C en D volledig. Open klep E voor de helft (de lucht die zich heeft verzameld in de condensor en het filtratiecircuit zal afgelaten worden). Als kleppen D en E niet geplaatst zijn, open klep A dan volledig en sluit klep C half.
- Sluit de voeding aan op de warmtepomp.
- Als de warmtepomp in stand-by staat, druk dan 3 seconden op ; het spatscherm zal 4 seconden weergegeven worden, daarna wordt het hoofdscherm weergegeven. Een timer van 2 minuten zal starten.
- Stel de gewenste temperatuur in.



## Verbinding maken met de Fluidra Pool app



De warmtepomp kan vanop afstand geregeld worden met een smartphone of tablet, via de Fluidra Pool app voor iOS en Android-systemen. Zorg er voordat u verbinding maakt met de Fluidra Pool app, voor dat u:

- Een smartphone of tablet gebruikt met Wi-Fi ingeschakeld.
- Een Wi-Fi-netwerk gebruikt met een redelijk sterk signaal wanneer u verbinding maakt met de warmtepomp: het Wi-Fi-signaal moet detecteerbaar zijn op de plaats waar het apparaat gebruikt wordt. Als dit niet het geval is, moet er een technische oplossing geleverd worden om het bestaande signaal te versterken.
- Sluit het apparaat en houd het wachtwoord voor uw Wi-Fi-netwerk bij de hand.

Download de Fluidra Pool app



Het scherm geeft «bLE» weer

Open de app en volg de hierin beschreven stappen om de warmtepomp toe te voegen.



## Winterklaar maken



Houd ingedrukt om het apparaat uit te schakelen

Koppel de voeding los

Sluit kleppen A en C en sluit kleppen D en E (als deze geplaatst zijn)

Laat het water uit de condensor lopen om het risico op bevroren te vermijden



Plaats de ademende micro-afdekking

- Als het zwembad volledig winterklaar gemaakt wordt (volledig uitschakelen van het filtratiesysteem, het filtratiesysteem ontluchten of zelfs het zwembad leegmaken): draai de twee aansluitingen één omwenteling om te voorkomen dat vreemde voorwerpen in de condensor komen.
- Als alleen de warmtepomp winterklaar gemaakt wordt (alleen uitschakelen van de verwarming, de filtratie blijft in bedrijf): zet de aansluitingen niet dicht maar plaats 2 doppen (meegeleverd) op de waterinlaat en wateruitlaat van de condensor.
- Plaats de ademende micro-afdekking (meegeleverd) op de warmtepomp, over de hydraulische aansluitingen en tot de opening die hiervoor is voorzien. Het is niet nodig om de hydraulische en elektrische aansluitingen los te koppelen.



- Winterklaar maken is cruciaal om te voorkomen dat de condensor breekt vanwege bevroren (bevroren zonder winterklaar maken wordt niet gedekt door de garantie).
- Om beschadiging van het apparaat met condensatie te vermijden, mag u het niet volledig afdekken; gebruik de meegeleverde afdekking voor het winterklaar maken.



## Onderhoud

- Verzeker dat het ventilatiooster niet wordt geblokkeerd door vreemde voorwerpen.
- Reinig de verdampers met een zachte borstel en schoon water (koppel de voedingskabel los).
- Reinig de condensaatafvoerleiding om onzuiverheden te verwijderen die deze mogelijk blokkeren.
- Verzeker dat het ventilatiooster van de schakeldoos schoon is.
- Gebruik geen hogedrukreiniger. Niet besproeien met regenwater, zout water of water met veel mineralen.
- Reinig de buitenkant van het apparaat; gebruik geen producten op basis van oplosmiddel. U kunt een specifieke schoonmaakset gebruiken als een accessoire: het PAC NET.




- Schakel de elektrische voeding niet uit wanneer het apparaat in werking is. Als de elektrische voeding onderbroken wordt, wacht dan een minuut om de voeding van het apparaat opnieuw in te schakelen.
- Vóór het uitvoeren van onderhoud, oplossen van problemen of reparaties, wordt aanbevolen om de Wi-Fi-verbinding van de modem te deactiveren, om het risico dat het apparaat vanop afstand bediend wordt te vermijden.
- Het wordt aanbevolen om het apparaat minstens een keer per jaar een volledig onderhoud te geven, om de goede werking te verzekeren, de prestaties te behouden en mogelijke bepaalde storingen te voorkomen. Deze handelingen worden door een technicus uitgevoerd, op kosten van de gebruiker.



Raadpleeg de online handleiding voor meer informatie over veiligheidsinstructies betreffende R32-koelmiddel en onderhoudstaken die door een gekwalificeerde technicus uitgevoerd moeten worden.



- Voer bij problemen deze eenvoudige controles uit, voordat u contact opneemt met de verkoper. Neem contact op met uw verkoper als het probleem niet opgelost is.
-  : Acties die alleen door een gekwalificeerde technicus uitgevoerd mogen worden.

### Gedrag van het apparaat

Het apparaat begint niet onmiddellijk te verwarmen	<ul style="list-style-type: none"> <li>• Als er geen of onvoldoende waterdebiet is, stopt het apparaat: controleer of het water juist door het apparaat circuleert en dat de hydraulische aansluitingen juist zijn.</li> <li>• Het apparaat stopt als de buitentemperatuur daalt tot onder <math>-7^{\circ}\text{C}</math>.</li> </ul>
Er komt water uit het apparaat	<ul style="list-style-type: none"> <li>• Om te controleren of het water niet afkomstig is van een lek in het zwembadcircuit, schakelt u het uit en zet u de filterpomp in werking om water in het apparaat te laten circuleren. Als het water door de condensaatvoerleidingen blijft stromen, is er een waterlek in het apparaat: neem contact op met uw verkoper.</li> </ul>
De verdamper is bedekt met ijs	<ul style="list-style-type: none"> <li>• Het apparaat zal spoedig overschakelen naar de ontdooicyclus om het ijs te smelten.</li> <li>• Als het apparaat de verdamper niet kan ontdooien, zal het zichzelf stoppen; dit betekent dat de buitentemperatuur te laag is (onder <math>-7^{\circ}\text{C}</math>).</li> </ul>
Het apparaat "rookt"	<ul style="list-style-type: none"> <li>• Als het apparaat niet in de ontdooicyclus staat, is dit niet normaal. Schakel het apparaat onmiddellijk uit, koppel de voeding los en neem contact op met uw verkoper.</li> </ul>
Het apparaat werkt niet	<ul style="list-style-type: none"> <li>•  Als het scherm leeg is, controleer dan de voedingsspanning en de F1-zekering.</li> <li>• Als er geen of onvoldoende waterdebiet is, stopt het apparaat: controleer of het water juist door het apparaat circuleert.</li> </ul>
De ventilator werkt maar de compressor stopt nu en dan, zonder foutmelding	<ul style="list-style-type: none"> <li>• Als de buitentemperatuur laag is, zal het apparaat ontdooicycli uitvoeren.</li> <li>• Het apparaat kan niet voldoende caloriefen vasthouden, omdat de verdamper vuil is. Reinig deze om deze opnieuw naar behoren te laten werken.</li> </ul>
Het apparaat werkt maar de watertemperatuur neemt niet toe	<ul style="list-style-type: none"> <li>• De bedrijfsmodus is niet krachtig genoeg (apparaat in de modus "SILENCE" of "SMART"). Schakel over naar de modus "BOOST" en zet de filtratie handmatig op 24/24 terwijl de temperatuur stijgt.</li> <li>• Controleer of de automatische vulklep niet in de open stand geblokkeerd staat; dit zorgt ervoor dat er koud water in het zwembad blijft stromen en voorkomt dat de temperatuur stijgt.</li> <li>• Er is te veel warmteverlies omdat de lucht koel is. Plaats een warmte-isolerende afdekking op het zwembad.</li> <li>• Het apparaat kan niet voldoende caloriefen vasthouden, omdat de verdamper vuil is. Reinig deze om deze opnieuw naar behoren te laten werken.</li> <li>•  Controleer dat het apparaat de juiste grootte heeft voor dit zwembad en de omgeving.</li> </ul>
Het apparaat schakelt de stroomonderbreker in	<ul style="list-style-type: none"> <li>•  Controleer dat de stroomonderbreker juist gedimensioneerd is en dat de gebruikte kabeldoorsnede juist is.</li> <li>•  De voedingsspanning is te laag; neem contact op met uw elektriciteitsleverancier.</li> </ul>



Raadpleeg de online handleiding voor meer informatie over foutcodes op het scherm, het gedrag van de LED's op de printplaat en de bedradingsschema's.



Prestaties: lucht 28°C / water 28°C / vochtigheid 80 %

		MD4	MD5	MD6
Vermogensuitgang (max-min snelheid)	kW	11 - 3,1	14 - 4,4	16 - 4,7
Verbruikt vermogen (max-min snelheid)	kW	1,9 - 0,3	2,6 - 0,5	3,2 - 0,5
Gemiddelde COP (max-min snelheid)		5,8 - 10,3	5,4 - 8,8	5 - 9,4

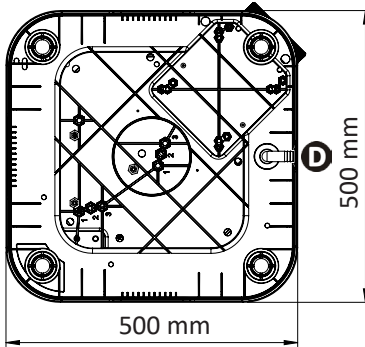
### Technische specificaties

Bedrijfstemperatuur	Lucht	In de modus "verwarmen": van -7 tot 35 °C In de modus "koelen": van 10 tot 35 °C
	Water	Van 15 tot 32 °C
Bedrijfsdruk	Koelmiddel	van 2 tot 42 bar (van 0,2 tot 4,2 MPa)
	Water	van 0 tot 2 bar (van 0 tot 0,2 MPa)
Voeding		220 - 240 V ~ / 1 fase / 50 Hz
Toelaatbare schommeling van spanning		± 6 % (tijdens bedrijf)
Hydraulische aansluitingen		2 PVC wartels Ø 40 2 PVC verloopstukken Ø 40/50 2 PVC wartels 45° Ø 50
Type van koelvloeistof		R32
Beschermingsklasse		IP24
Frequentiebanden	GHz	2,400 - 2,497
Emissievermogen radiofrequentie	dBm	+19,5
Installatielocatie		Binnen/buiten

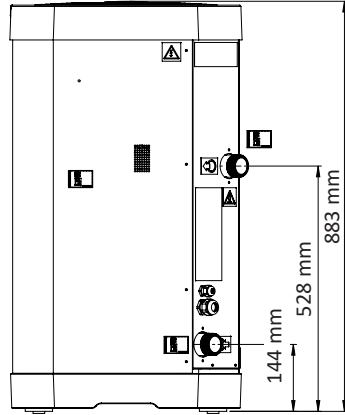
### Technische specificaties

		MD4	MD5	MD6
Nominale elektrische stroomvereiste	A	8	10,1	12,3
Max elektrische stroomvereiste	A	9,0	12,3	15,9
Minimum kabeldoorsnede*	mm <sup>2</sup>	3x2,5	3x2,5	3x2,5
Geluidsvermogen (max-min)	db(A)	70 - 64	71 - 63	73 - 65
Geluidsdruk op 10m (max-min)	db(A)	39 - 33	40 - 32	42 - 34
Aanbevolen waterdebiet	m <sup>3</sup> /h	3,4	4,2	5
Lading koelvloeistof	kg	0,7	0,85	0,95
	Ton CO2 eq.	0,47	0,57	0,64
Gewicht bij benadering	kg	41	46	47

\* Waarden gegeven ter informatie voor een maximale lengte van 20 meter (basis voor berekening: NFC15-100), ze moeten worden gecontroleerd en aangepast aan de installatieomstandigheden en de normen van het land van installatie.



Onderkant



Achteraan

**A**

Technische toegangsdeur

**B**

Waterinlaat zwembad

**C**

Wateruitlaat zwembad

**D**

Condensaatafvoer

9

Symbolen bedradingsschema



4.4  
Bedradingsschema's

Symbool	Beschrijving	Symbool	Beschrijving
A1	Elektronisch regelbord	FS	Debietschakelaar
A2	Schermbord (HMI)	V1 - V2	Varistor
A4	Elektronisch bord compressor	G/Y	Groen/Geel
CM	Compressor	BLK	Zwart
EEV	Elektronische expansieklep	BLU	Blauw
F1 - F2	Zekering	BRN	Bruin
VENTILATOR	Ventilatormotor	ORG	Oranje
HP	Hoge drukschakelaar	PNK	Roze
ST1	Temperatuursensor waterinlaat	RED	Rood
ST2	Temperatuursensor omgevingslucht	GRY	Grijs
ST3	Temperatuursensor spoel	BLK	Zwart
ST4	Temperatuursensor vloeistofleiding	VLT	Violet
ST5	Temperatuursensor uitlaat	WHT	Wit
4WV	4-wegklep	YEL	Geel



Raadpleeg deze tabel voor het lezen van het label met het bedradingsschema op de achterkant van de elektrische kast. De bedradingsschema's staan ook in de online handleiding.



## ΠΡΟΕΙΔΟΠΟΙΗΣΕΙΣ



Το παρόν εγχειρίδιο περιέχει μόνο βασικές πληροφορίες σχετικά με τα μέτρα ασφαλείας που πρέπει να λαμβάνονται κατά την εγκατάσταση, τη συντήρηση και τη θέση σε λειτουργία. Μπορείτε να διαβάσετε και να κατεβάσετε το πλήρες εγχειρίδιο ως αρχείο PDF στον ιστοτόπο: [www.zodiac.com](http://www.zodiac.com). Όλες οι εργασίες συναρμολόγησης, ηλεκτρικής εγκατάστασης και συντήρησης πρέπει να εκτελούνται από εξειδικευμένο και εξουσιοδοτημένο προσωπικό που έχει διαβάσει προσεκτικά το παρόν εγχειρίδιο. Διατηρούμε το δικαίωμα να τροποποιήσουμε, εν όλω ή εν μέρει, τα χαρακτηριστικά των προϊόντων μας ή το περιεχόμενο αυτού του εγγράφου χωρίς προειδοποίηση.



### ΓΕΝΙΚΕΣ ΠΡΟΕΙΔΟΠΟΙΗΣΕΙΣ

- Η συσκευή προορίζεται για χρήση σε πισίνες και σπα για συγκεκριμένο σκοπό. Δεν πρέπει να χρησιμοποιείται για σκοπούς άλλους από αυτούς για τους οποίους έχει σχεδιαστεί.
- Η μη τήρηση των προειδοποιήσεων μπορεί να προκαλέσει σοβαρή ζημιά στον εξοπλισμό της πισίνας ή σοβαρό τραυματισμό ή θάνατο.
- Αυτή η συσκευή δεν προορίζεται για χρήση από άτομα (συμπεριλαμβανομένων παιδιών) με μειωμένες σωματικές, αισθητηριακές ή διανοητικές ικανότητες, που δεν έχουν εμπειρία και γνώση, εκτός εάν επιβλέπονται ή συμβουλευτούνται για τη χρήση της συσκευής από άτομο υπεύθυνο για την ασφάλειά τους. Τα παιδιά θα πρέπει να επιβλέπονται ώστε να βεβαιωθείτε ότι δεν παίζουν με τη συσκευή.
- Αυτή η συσκευή μπορεί να χρησιμοποιηθεί από παιδιά ηλικίας 8 ετών και άνω και από άτομα με σωματική, αισθητηριακή ή νοητική αναπηρία ή έλλειψη εμπειρίας και γνώσης εάν είναι υπό επίβλεψη ή έχουν λάβει οδηγίες σχετικά με την ασφαλή χρήση της συσκευής και αν κατανοούν τους κινδύνους. Τα παιδιά δεν πρέπει να παίζουν με τη συσκευή. Ο καθαρισμός και η συντήρηση δεν πρέπει να εκτελούνται από παιδιά χωρίς παρακολούθηση.
- Η συσκευή πρέπει να εγκαθίσταται σύμφωνα με τις οδηγίες του κατασκευαστή και τηρώντας τους ισχύοντες τοπικούς και εθνικούς κανονισμούς.
- Τα προϊόντα μας δεν μπορούν να συναρμολογηθούν και να εγκατασταθούν παρά μόνο σε πισίνες που συμμορφώνονται με το πρότυπο IEC/HD 60364-7-702 και τους ισχύοντες εθνικούς κανόνες. Η εγκατάσταση πρέπει να συμμορφώνεται με το πρότυπο IEC/HD 60364-7-702 και τους εθνικούς κανόνες που απαιτούνται για τις πισίνες. Συμβουλευτείτε τον τοπικό μεταπωλητή σας για περισσότερες πληροφορίες.



### ΠΡΟΕΙΔΟΠΟΙΗΣΕΙΣ ΣΕ ΣΧΕΣΗ ΜΕ ΤΙΣ ΗΛΕΚΤΡΙΚΕΣ ΣΥΣΚΕΥΕΣ

- Το παροχή ρεύματος της συσκευής πρέπει να προστατεύεται από έναν αποκλειστικό διακόπτη διαφορικού 30 mA, σύμφωνα με τα πρότυπα και τους κανονισμούς που ισχύουν στη χώρα όπου είναι εγκατεστημένη.
- Ο εξοπλισμός δεν περιλαμβάνει ηλεκτρική διακόπτη για απώσυνδση. Προσθέστε μια διάταξη διακοπής ρεύματος στην καλωδίωση στερέωσης, κατηγορίας τουλάχιστον OVC III, σύμφωνα με την ισχύουσα εθνική νομοθεσία.
- Εάν το καλώδιο τροφοδοσίας έχει υποστεί ζημιά, πρέπει να αντικατασταθεί μόνο από τον κατασκευαστή, τον εξουσιοδοτημένο αντιπρόσωπο ή ένα συνεργείο επισκευών.



### ΠΡΟΕΙΔΟΠΟΙΗΣΕΙΣ ΣΕ ΣΧΕΣΗ ΜΕ ΤΙΣ ΣΥΣΚΕΥΕΣ ΠΟΥ ΠΕΡΙΧΟΥΝ ΨΥΚΤΙΚΟ ΜΕΣΟ R32



- Αυτή η συσκευή περιέχει ψυκτικό υγρό R32, κατηγορίας A2L, το οποίο θεωρείται δυναμική εύφλεκτο.
- Μην απελευθερώνετε το ψυκτικό μέσο R32 στην ατμόσφαιρα. Πρόκειται για φθοριούχο αέριο του θερμοκηπίου, το οποίο καλύπτεται από το Πρωτόκολλο του Κιότο, με δυναμικό υπερθέρμανσης του πλανήτη (GWP) = 675 (Καν. (ΕΕ) αριθ. 517/2014).
- Προκειμένου να τηρείτε τα σχετικά πρότυπα και κανονισμούς για το περιβάλλον και την εγκατάσταση, συμπεριλαμβανομένου του διατάγματος αριθ. 2015-1790 και του κανονισμού 517/2014 της ΕΕ, πρέπει να διεξάγεται δοκιμή στεγανότητας στο κύκλωμα ψύξης κατά τη θέση σε λειτουργία τουλάχιστον μία φορά το χρόνο. Αυτή η δοκιμή πρέπει να διεξάγεται από εξειδικευμένο και πιστοποιημένο επαγγελματία στον εξοπλισμό ψύξης
- Η συσκευή πρέπει να αποθηκεύεται σε δωμάτιο χωρίς μόνιμες πηγές ανάφλεξης (για παράδειγμα, ανοιχτές φλόγες, συσκευή αερίου ή ηλεκτρική θέρμανση σε λειτουργία).
- Για περισσότερες πληροφορίες, δείτε τις οδηγίες ασφαλείας για συσκευές που περιέχουν αέριο R32 στην εκτεταμένη έκδοση του εγχειριδίου, όπου ορίζονται ο έλεγχος της περιοχής, η διαδικασία εργασίας, ο γενικός χώρος εργασίας, ο έλεγχος της παρουσίας ψυκτικού μέσου, η παρουσία πυροσβεστήρα, η απουσία πηγής ανάφλεξης, ο αερισμός της περιοχής, ο έλεγχος του ψυκτικού εξοπλισμού, ο έλεγχος των ηλεκτρικών εξαρτημάτων, η επισκευή των απομονωμένων εξαρτημάτων, η επισκευή εγγενών εξαρτημάτων, η καλωδίωση, η ανίχνευση εύφλεκτου ψυκτικού, η απόσυρση και εκκένωση, οι διαδικασίες φόρτισης και αποσυαρμολόγησης.



### ΕΓΚΑΤΑΣΤΑΣΗ ΚΑΙ ΣΥΝΤΗΡΗΣΗ

- Η διαδικασία αυτή πρέπει να πραγματοποιείται μόνο από πρόσωπα ειδικευμένα στους συγκεκριμένους τεχνικούς τομείς (ηλεκτρολόγους, υδραυλικούς ή ψυκτικούς) τα οποία είναι εξουσιοδοτημένα να διεξάγουν εργασίες συντήρησης ή επισκευής της συσκευής.
- Η συσκευή δεν πρέπει να εγκατασταθεί κοντά σε εύφλεκτα υλικά ή στην είσοδο αεραγωγού ή σε παρακείμενο κτίριο.
- Κατά τη συντήρηση της συσκευής, ελέγξτε τη σύνθεση και την κατάσταση του μέσου μεταφοράς θερμότητας καθώς και την απουσία ιχνών ψύξης μέσου.
- Κατά τον ετήσιο έλεγχο στεγανότητας της συσκευής, σύμφωνα με τους ισχύοντες νόμους, ελέγχετε ότι οι πιεζοστάτες υψηλής και χαμηλής πίεσης είναι σωστά συνδεδεμένοι με το κύκλωμα ψύξης και ότι σε περίπτωση ενεργοποίησης διακόπτη του ηλεκτρικού κύκλωμα.
- Κατά τις εργασίες συντήρησης, βεβαιωθείτε ότι δεν υπάρχουν ίχνη διάβρωσης ή λαδιού γύρω από τα εξαρτήματα ψύξης.
- Πριν ξεκινήσετε εργασίες στο κύκλωμα ψύξης, σταματήστε τη συσκευή και περιμένετε λίγα λεπτά πριν τοποθετήσετε τους αισθητήρες θερμοκρασίας και πίεσης. Ορισμένα στοιχεία όπως ο συμπιεστής και οι σωληνώσεις μπορεί να φτάσουν σε θερμοκρασίες πάνω από 100°C και υψηλές πιέσεις που μπορεί να προκαλέσουν σοβαρά εγκαύματα.



## ΠΡΟΕΙΔΟΠΟΙΗΣΕΙΣ



### ΠΡΟΔΙΑΓΡΑΦΕΣ ΤΟΥ ΨΥΚΤΙΚΟΥ

#### Έλεγχος του χώρου

- Αυτή η συσκευή περιέχει ψυκτικό υγρό R32, κατηγορίας A2L, το οποίο θεωρείται δυναμικά εύφλεκτο.
- Μην απελευθερώνετε το ψυκτικό μέσο R32 στην ατμόσφαιρα. Πρόκειται για φθοριούχο αέριο του θερμοκηπίου, το οποίο καλύπτεται από το Πρωτόκολλο του Κιότο, με δυναμικό υπερθέρμανσης του πλανήτη (GWP) = 675 (Καν. (ΕΕ) αριθ. 517/2014).
- Προκειμένου να τηρείτε τα σχετικά πρότυπα και κανονισμούς για το περιβάλλον και την εγκατάσταση, συμπεριλαμβανομένου του διατάγματος αριθ. 2015-1790 και του κανονισμού 517/2014 της ΕΕ, πρέπει να διεξάγεται δοκιμή στεγανότητας στο κύκλωμα ψύξης κατά τη θέση σε λειτουργία τουλάχιστον μία φορά το χρόνο. Αυτή η δοκιμή πρέπει να διεξάγεται από εξειδικευμένο και πιστοποιημένο επαγγελματία στον εξοπλισμό ψύξης.
- Η συσκευή πρέπει να αποθηκεύεται σε δωμάτιο χωρίς μόνιμες πηγές ανάφλεξης (για παράδειγμα, ανοιχτές φλόγες, συσκευή αερίου ή ηλεκτρική θέρμανση σε λειτουργία).
- Για περισσότερες πληροφορίες, δείτε τις οδηγίες ασφαλείας για συσκευές που περιέχουν αέριο R32 στην εκτεταμένη έκδοση του εγχειριδίου, όπου ορίζονται ο έλεγχος της περιοχής, η διαδικασία εργασίας, ο γενικός χώρος εργασίας, ο έλεγχος της παρουσίας ψυκτικού μέσου, η παρουσία πυροσβεστήρα, η απουσία πηγής ανάφλεξης, ο αερισμός της περιοχής, ο έλεγχος του ψυκτικού εξοπλισμού, ο έλεγχος των ηλεκτρικών εξαρτημάτων, η επισκευή των απομονωμένων εξαρτημάτων, η επισκευή εγγενών εξαρτημάτων, η καλωδίωση, η ανίχνευση εύφλεκτου ψυκτικού, η απόσυρση και εκκένωση, οι διαδικασίες φόρτισης και αποσυαρμολόγησης.

#### Διαδικασία εργασίας

- Οι εργασίες πρέπει να εκτελούνται σύμφωνα με ελεγχόμενη διαδικασία για τη μείωση του κινδύνου παρουσίας εύφλεκτων αερίων ή ατμών κατά τη διάρκεια της εργασίας.

#### Γενικός χώρος εργασίας

- Το προσωπικό συντήρησης και οι υπάλληλοι που εργάζονται στον χώρο πρέπει να ενημερώνονται για την εργασία που εκτελείται. Η εργασία σε περιορισμένους χώρους πρέπει να αποφεύγεται.

#### Έλεγχος παρουσίας ψυκτικού υγρού

- Ο χώρος θα πρέπει να ελέγχεται με κατάλληλο ανιχνευτή ψυκτικού πριν και κατά τη διάρκεια της εργασίας για να διασφαλιστεί ότι ο τεχνικός έχει ειδοποιηθεί για πιθανή τοξική ή εύφλεκτη ατμόσφαιρα. Βεβαιωθείτε ότι ο εξοπλισμός ανίχνευσης διαρροών που χρησιμοποιείται είναι κατάλληλος για τη χρήση όλων των σχετικών ψυκτικών μέσων, δηλαδή δεν παράγει σπινθήρα, είναι σωστά μονωμένος και απολύτως ασφαλής.

#### Έλεγχος παρουσίας πυροσβεστήρα

- Εάν πρόκειται να πραγματοποιηθούν εργασίες με συγκεκριμένη θερμοκρασία στον εξοπλισμό ψύξης ή σε οποιοδήποτε σχετικό μέρος, πρέπει να είναι διαθέσιμος ο κατάλληλος εξοπλισμός πυρόσβεσης. Κοντά στο χώρο φόρτισης πρέπει να υπάρχει πυροσβεστήρας σκόνης ή CO<sub>2</sub>.

#### Απουσία πηγής ανάφλεξης

- Απαγορεύεται σε οποιοδήποτε άτομο που εκτελεί εργασίες σε σύστημα ψύξης που περιλαμβάνει έκθεση των σωληνώσεων να χρησιμοποιεί πηγές ανάφλεξης με τρόπο που θα μπορούσε να οδηγήσει σε κίνδυνο πυρκαγιάς ή έκρηξης. Όλες οι πιθανές πηγές ανάφλεξης, ιδίως από τσιγάρο, πρέπει να φυλάσσονται σε ασφαλή απόσταση από τον χώρο εγκατάστασης, επισκευής, απομάκρυνσης και απόρριψης, όταν ενδέχεται να απελευθερωθεί ψυκτικό μέσο στη γύρω περιοχή. Πριν από την έναρξη των εργασιών, η περιοχή γύρω από τον εξοπλισμό πρέπει να εξεταστεί για να εξασφαλιστεί ότι δεν υπάρχει κίνδυνος ανάφλεξης ή σπινθήρων. Πρέπει να αναρτηθούν πινακίδες «απαγορεύεται το κάπνισμα».

#### Εξαερισμός του χώρου

- Πριν αποκτήσετε πρόσβαση στη μονάδα με οποιονδήποτε τρόπο για οποιαδήποτε συντήρηση, βεβαιωθείτε ότι ο χώρος είναι ανοιχτός και σωστά αεριζόμενος. Κατά τη συντήρηση της μονάδας θα πρέπει να διατηρείται επαρκής αερισμός, ώστε να επιτρέπεται η ασφαλής διασπορά οποιουδήποτε ψυκτικού μέσου που μπορεί να απελευθερωθεί ακόμα στην ατμόσφαιρα.



### ΠΛΗΡΟΦΟΡΙΕΣ ΑΝΑΚΥΚΛΩΣΗΣ

- Επικοινωνήστε με τον μεταπωλητή σας για πληροφορίες σχετικά με την ανακύκλωση.

### ΠΛΗΡΟΦΟΡΙΕΣ ΓΙΑ ΠΡΟΪΟΝΤΑ ΜΕ ΣΥΝΔΕΣΙΜΟΤΗΤΑ (σύμφωνα με την οδηγία RED)

#### Δήλωση συμμόρφωσης

Η Zodiac δηλώνει με το παρόν ότι ο ραδιοεξοπλισμός τύπου Z350iQ συμμορφώνεται με την Οδηγία 2014/53/ΕΕ. Το πλήρες κείμενο της Ευρωπαϊκής Δήλωσης Συμμόρφωσης είναι διαθέσιμο στην ακόλουθη διεύθυνση: <https://www.zodiac-poolcare.com/>.



# 1 Εγκατάσταση της συσκευής

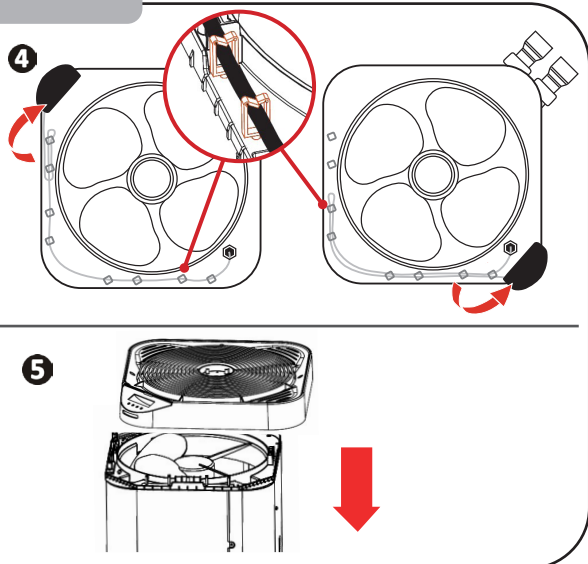
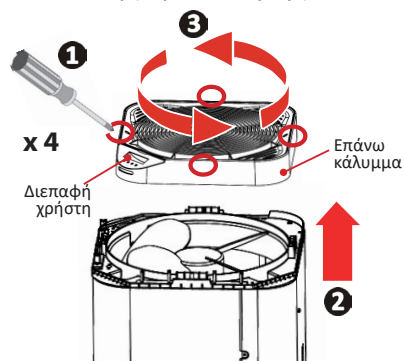


1 Εγκατάσταση

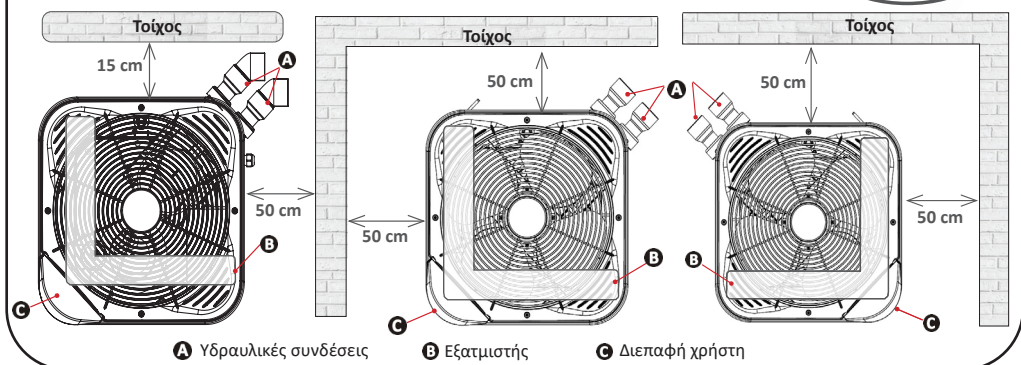
Περιστρέψτε το επάνω μέρος και τη διεπαφή χρήστη εάν χρειάζεται



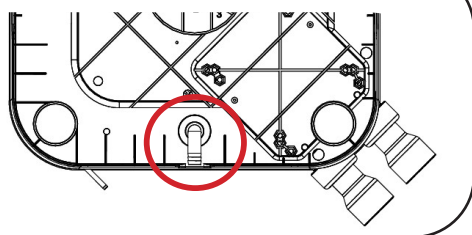
**ΠΡΟΣΟΧΗ:** Ο πίνακας ειδοποιήσεων (κάτω από την οθόνη) συνδέεται με καλώδιο στον πίνακα ελέγχου στο εσωτερικό της μονάδας. Μετακινείτε το επάνω κάλυμμα με προσοχή, ώστε να μην προκαλέσετε βλάβη στο καλώδιο.



Επιλέξτε τη θέση και τους υδραυλικούς συνδέσμους που ταιριάζουν καλύτερα στη διαμόρφωση της εγκατάστασης



Εκκενώστε τα συμπυκνώματα Τοποθετήστε έναν σωλήνα  $\varnothing 18$  στον αυλακωτό βραχίονα που θα τοποθετηθεί κάτω από τη βάση της συσκευής.



Συμβουλευτείτε το ηλεκτρονικό εγχειρίδιο για περισσότερες λεπτομέρειες σχετικά με τις προφυλάξεις εγκατάστασης και τις υδραυλικές συνδέσεις.

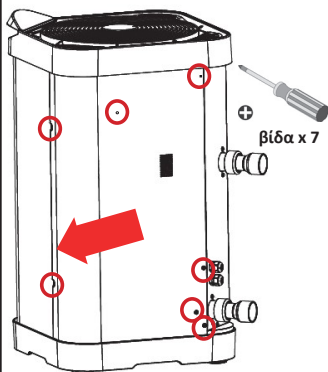


- Διακόψτε την ηλεκτρική τροφοδοσία πριν από οποιαδήποτε επέμβαση στο εσωτερικό της συσκευής (κίνδυνος ηλεκτροπληξίας). Η διακοπή της ηλεκτρικής τροφοδοσίας θα πρέπει να γίνεται έτσι ώστε να μπορείτε να ελέγχετε πάντα, από οποιοδήποτε σημείο στο οποίο έχετε πρόσβαση, ότι το τροφοδοτικό έχει αφαιρεθεί. Εάν αυτό δεν είναι δυνατό, πρέπει να προβείτε σε αποσύνδεση με σύστημα κλειδώματος.
- Οι εργασίες με καλωδίωση μέσα στη συσκευή ή η αντικατάσταση του καλωδίου τροφοδοσίας πρέπει να πραγματοποιούνται μόνο από ειδικευμένο και έμπειρο τεχνικό.
- Βεβαιωθείτε ότι οι βίδες των ακροδεκτών είναι σφικμένες καλά (κίνδυνος πυρκαγιάς). Οι ακατάλληλα σφικμένες βίδες ακροδεκτών θα ακυρώσουν την εγγύηση.
- Μην διακόπτετε την παροχή ρεύματος ενώ η συσκευή είναι σε λειτουργία. Εάν διακοπεί η παροχή ρεύματος, περιμένετε ένα λεπτό πριν την ενεργοποιήσετε ξανά.

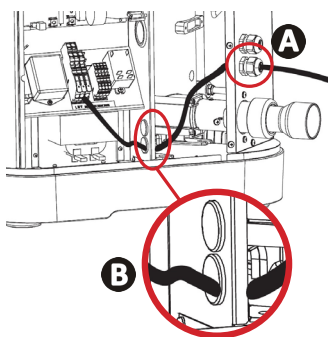


Συνδέστε τη μονάδα στην παροχή ρεύματος και τα εξαρτήματα.

1 Ανοίξτε και αφαιρέστε.

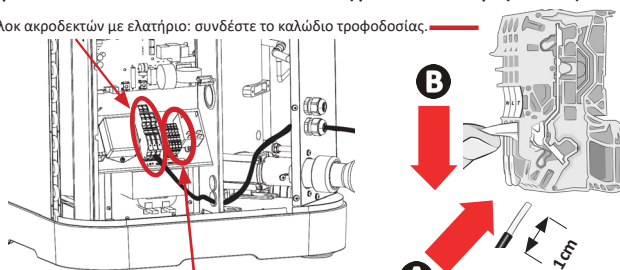


2 Περάστε το καλώδιο τροφοδοσίας.



3 Συνδέστε το καλώδιο τροφοδοσίας. Για να συνδέσετε τα εξαρτήματα: Μην περνάτε τα καλώδια από τον ίδιο στυπιοθλίκτη με το καλώδιο τροφοδοσίας.

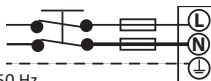
Μπλοκ ακροδεκτών με ελατήριο: συνδέστε το καλώδιο τροφοδοσίας.



Μπλοκ ακροδεκτών με βίδες: συνδέστε τα εξαρτήματα

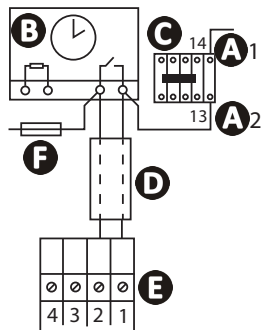
Σύνδεση της παροχής ηλεκτρικού ρεύματος

ΠΑΡΟΧΗ  
ΡΕΥΜΑΤΟΣ CA  
220-240 V  
ΜΟΝΟΦΑΣΙΚΟ 50 Hz



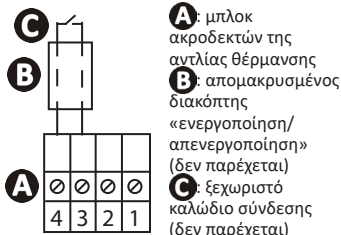
επιβραδυντική ασφάλεια

Σύνδεση της προτεραιότητας θέρμανσης



- A1 - A2:** τροφοδοσία του τυμπάνου του επαφέα της αντλίας φίλτρανσης
- B:** χρονόμετρο φίλτρανσης
- C:** επαφές (τριπολικός ή διπολικός) για την αντλία φίλτρανσης
- D:** ξεχωριστό καλώδιο σύνδεσης για τη λειτουργία «προτεραιότητα θέρμανσης» (δεν παρέχεται)
- E:** μπλοκ ακροδεκτών της αντλίας θέρμανσης
- F:** ασφάλεια

Σύνδεση «ΕΝΑΡΞΗ/ΔΙΑΚΟΠΗ» εξ αποστάσεως

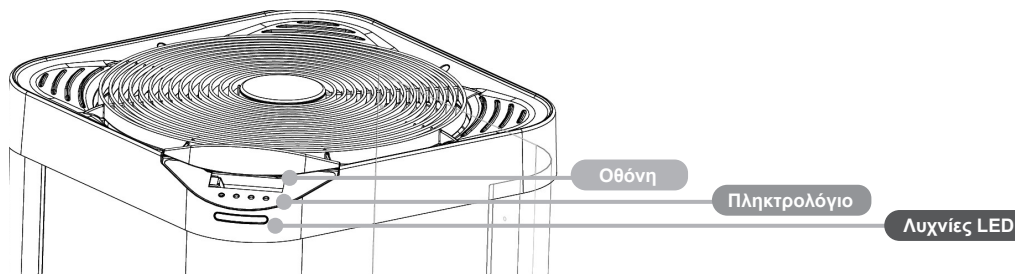


- A:** μπλοκ ακροδεκτών της αντλίας θέρμανσης
- B:** απομακρυσμένος διακόπτης «ενεργοποίηση/ απενεργοποίηση» (δεν παρέχεται)
- C:** ξεχωριστό καλώδιο σύνδεσης (δεν παρέχεται)

### Καλωδίωση και προστασία καλωδίων

Μοντέλο	Παροχή ρεύματος	Μέγιστο φορτίο	Διάμετρος καλωδίου*	Θερμική μαγνητική προστασία
MD4	220 - 240 V 1 φάση 50 Hz	9,1	<ul style="list-style-type: none"> <li>• Τύπου H07RN-F</li> <li>• Διάμετρος: μεταξύ 13 και 18 mm</li> <li>• Ελάχιστη διατομή καλωδίου: - για το καλώδιο τροφοδοσίας: 3x2,5mm<sup>2</sup></li> <li>- για το καλώδιο εξαρτημάτων: 2x0,75mm<sup>2</sup></li> </ul>	Καμπύλη C ή D 30 mA
MD5		10,8		
MD6		13,5		

\*Τμήμα καλωδίου κατάλληλο για μέγιστο μήκος 20 μέτρων.



## Οθόνη



## 3 τρόποι:

- BOOST
- SMART
- SILENCE

Μετρούμενη  
θερμοκρασία νερού

## Λυχνία LED (αναμμένη από προεπιλογή)

Για να την απενεργοποιήσετε, δείτε τη σελίδα 4

## Πράσινο - «Θέρμανση»

- Η αντλία θερμότητας θερμαίνει το νερό
- Το σημείο ρύθμισης της θερμοκρασίας επιτυγχάνεται

## Μπλε - «Ψύξη»

- Η αντλία θερμότητας κρυώνει το νερό

## Κόκκινο - «Σφάλμα»

- Δείτε το ηλεκτρονικό εγχειρίδιο

## Πληκτρολόγιο



- Αλλαγή τρόπου λειτουργίας
- Πρόσβαση στο μενού (πατήστε και κρατήστε πατημένο)
- Validation (επιβεβαίωση)



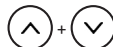
- Πλοήγηση
- Ρύθμιση τιμών



- ON / OFF (πατήστε και κρατήστε πατημένο)
- Επιστροφή

## Ενδεικτικές λυχνίες

	Αναμμένο	Αναβοσβήνει	Σβηστό
	Κλειδωμένο πληκτρολόγιο	-	Ξεκλειδωμένο πληκτρολόγιο
	Σωστή ροή νερού	Χαμηλή ροή νερού ή χωρίς ροή νερού	-
	Εμφανίζει την επιλεγμένη λειτουργία	-	-
	-	Θερμοκρασία του αέρα εκτός της περιοχής λειτουργίας	Θερμοκρασία του αέρα εντός της περιοχής λειτουργίας
°C °F	Επιλεγμένη μονάδα θερμοκρασίας	-	-
	συνδεδεμένο Wi-Fi	Αναζήτηση Wi-Fi εν εξελίξει	Μη συνδεδεμένο WiFi

**Κλειδωμα/ξεκλειδωμα του πληκτρολογίου**

3 δευτερόλεπτα

**Ορισμός αυτόματου κλειδώματος (ενεργοποιημένο από προεπιλογή)**

Πατήστε και κρατήστε πατημένο



Έως το «P19»



Επιβεβαίωση

ON (ενεργοποιημένο)  
ή OFF  
(απενεργοποιημένο)

Επιβεβαίωση

**Ρύθμιση του σημείου ρύθμισης της θερμοκρασίας**

Πατήστε από την κύρια οθόνη για να προσαρμόσετε την τιμή



Ανεβάστε ή χαμηλώστε τη θερμοκρασία



Επιβεβαίωση (αυτόματα αν η αδράνεια υπερβαίνει τα 30 δευτερόλεπτα)

Συνιστώμενη θερμοκρασία:  
28 °C  
Μέγιστη θερμοκρασία:  
32 °C**Ενεργοποίηση/απενεργοποίηση λειτουργίας ψύξης (απενεργοποιημένη από προεπιλογή)**

Η ενεργοποίηση της λειτουργίας ψύξης επιβεβαιώνεται από 3 διαδοχικές αναβοσβήνουσες μπλε ενδείξεις.



Πατήστε παρατεταμένα μέχρι να εμφανιστεί η ένδειξη «COOL»



Επιβεβαίωση

ON (ενεργοποιημένο) ή OFF  
(απενεργοποιημένο)

Επιβεβαίωση

**Επιλέξτε τρόπους θέρμανσης**

Η αντλία θερμότητας έχει 3 ενεργούς τρόπους λειτουργίας για να προσαρμόσει την ταχύτητα λειτουργίας της στην απαιτούμενη ισχύ και στον επιλεγμένο τρόπο λειτουργίας:

- Τρόπος λειτουργίας «BOOST»
- Τρόπος λειτουργίας «SMART»
- Τρόπος λειτουργίας «SILENCE»



Πατήστε από την κύρια οθόνη: η ένδειξη ► σταματά μπροστά σε μία από τις 3 λειτουργίες

**Απενεργοποιήστε τη λυχνία LED (αναμμένη από προεπιλογή)**

Πατήστε παρατεταμένα από την κύρια οθόνη: η οθόνη εμφανίζει την ένδειξη «COOL»



Στην οθόνη εμφανίζεται η ένδειξη «LED»



Επιβεβαίωση

ON (ενεργοποιημένο)  
ή OFF  
(απενεργοποιημένο)

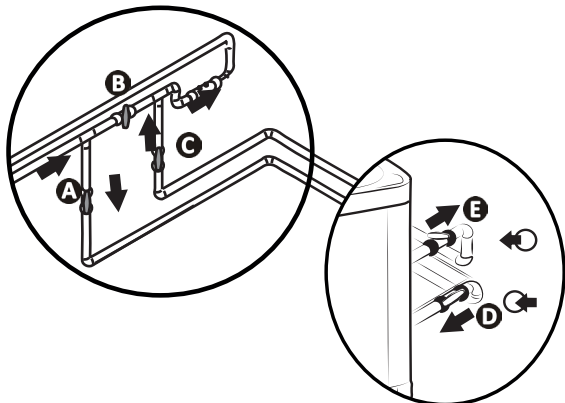
Επιβεβαίωση




Συμβουλευτείτε το ηλεκτρονικό εγχειρίδιο για περισσότερες λεπτομέρειες σχετικά με τους τρόπους λειτουργίας και τη συμπεριφορά της λυχνίας LED.



## Ανοίξτε το υδραυλικό κύκλωμα



**ΠΡΟΣΟΧΗ:** Μια λανθασμένη ρύθμιση παράκαμψης μπορεί να προκαλέσει δυσλειτουργία της αντλίας θερμότητας.

- Κλείστε σταδιακά τη βαλβίδα B.
- Ανοίξτε εντελώς τις βαλβίδες A, C και D. Ανοίξτε τη βαλβίδα E κατά το ήμισυ (ο αέρας στον συμπυκνωτή και το κύκλωμα φίλτρανσης θα καθαριστεί). Εάν δεν υπάρχουν βαλβίδες D και E, ανοίξτε τη βαλβίδα A εντελώς και κλείστε τη βαλβίδα C μέχρι τη μέση.
- Συνδέστε την αντλία θερμότητας στο ρεύμα.
- Αν η αντλία θερμότητας βρίσκεται σε κατάσταση αναμονής, πατήστε για 3 δευτερόλεπτα : η αρχική οθόνη θα εμφανιστεί για 4 δευτερόλεπτα και, στη συνέχεια, θα εμφανιστεί η κύρια οθόνη. Ένα χρονόμετρο 2 λεπτών ξεκινά.
- Ρυθμίστε την επιθυμητή θερμοκρασία.



## Επιστροφή στην εφαρμογή Fluidra Pool



Η αντλία θερμότητας μπορεί να ελέγχεται εξ αποστάσεως από ένα smartphone ή tablet μέσω της εφαρμογής Fluidra Pool που διατίθεται σε συστήματα iOS και Android. Πριν ξεκινήσετε τη σύνδεση με την εφαρμογή Fluidra Pool, βεβαιωθείτε ότι:

- Χρησιμοποιείτε ένα smartphone ή tablet συμβατό με Wi-Fi.
- Χρησιμοποιήστε ένα δίκτυο Wi-Fi με αρκετά ισχυρό σήμα κατά τη σύνδεση στην αντλία θερμότητας: Το σήμα του Wi-Fi πρέπει να είναι ανιχνεύσιμο στο σημείο που χρησιμοποιείται η συσκευή. Εάν δεν συμβαίνει αυτό, πρέπει να δοθεί τεχνική λύση για την ενίσχυση του υπάρχοντος σήματος.
- Μείνετε κοντά στη συσκευή και έχετε τον κωδικό πρόσβασης του οικιακού δικτύου Wi-Fi.

Κατεβάστε την εφαρμογή Fluidra Pool



Πατήστε και κρατήστε πατημένο

Στην οθόνη εμφανίζεται η ένδειξη «bLE»

Ανοίξτε την εφαρμογή και ακολουθήστε τα βήματα που περιγράφονται στην εφαρμογή για να προσθέσετε την αντλία θερμότητας.



## Προετοιμασία για τη χειμερινή περίοδο



Πατήστε και κρατήστε πατημένο για να απενεργοποιήσετε τη συσκευή

Αποσυνδέστε την ηλεκτρική τροφοδοσία

Κλείστε τις βαλβίδες A και C και ανοίξτε τις βαλβίδες D και E (κατά περίπτωση)

Αδειάστε το νερό από τον συμπυκνωτή για να αποφύγετε τον κίνδυνο παγετού



Τοποθετήστε το αεριζόμενο χειμερινό μικρο-κάλυμμα

- Σε περίπτωση πλήρους προετοιμασίας της πιάνας για τη χειμερινή περίοδο (πλήρης διακοπή λειτουργίας του συστήματος φίλτρανης, εκκένωση του κυκλώματος φίλτρανης ή άδειασμα της πιάνας): επανατοποθετήστε τους δύο συνδέσμους με μια περιστροφή για να αποτρέψετε οποιαδήποτε διείσδυση ξένων σωμάτων στον συμπυκνωτή.
- Σε περίπτωση προετοιμασίας για τη χειμερινή περίοδο μόνο της αντλίας θερμότητας (διακοπή της θέρμανσης μόνο, η φίλτραση συνεχίζει να λειτουργεί): μην σφίγγετε τους συνδέσμους, αλλά προσθέστε 2 πώματα (παρέχονται) στις εισόδους και εξόδους νερού του συμπυκνωτή.
- Τοποθετήστε το αεριζόμενο χειμερινό μικρο-κάλυμμα (παρέχεται) στην αντλία θερμότητας περνώντας τις υδραυλικές συνδέσεις από το άνοιγμα που προβλέπεται για το σκοπό αυτό. Δεν είναι απαραίτητο να αποσυνδέσετε τις υδραυλικές και ηλεκτρικές συνδέσεις.



- Η προετοιμασία για τη χειμερινή περίοδο είναι απαραίτητη για την αποφυγή τυχόν θραύσης του συμπυκνωτή λόγω παγετού (ο παγετός χωρίς προετοιμασία για τη χειμερινή περίοδο δεν καλύπτεται από την εγγύηση).
- Προς αποφυγή της πρόκλησης ζημιάς στη συσκευή λόγω της συμπύκνωσης, μη την σκεπάζετε ερμητικά, χρησιμοποιήστε το παρεχόμενο ειδικό προστατευτικό κάλυμμα.



## Συντήρηση

- Βεβαιωθείτε ότι η σχάρα εξαιρισμού δεν εμποδίζεται από ξένα αντικείμενα.
- Καθαρίστε τον εξατμιστή χρησιμοποιώντας μια μαλακή βούρτσα και ένα μηχάνημα εκτόξευσης γλυκού νερού (αποσυνδέστε το καλώδιο τροφοδοσίας).
- Καθαρίστε τον σωλήνα αποστράγγισης συμπυκνωμάτων για να αφαιρέσετε τυχόν ακαθαρσίες που θα μπορούσαν να τον φράξουν.
- Βεβαιωθείτε ότι η σχάρα εξαιρισμού του κιβωτίου διακόπτη είναι καθαρή.
- Μην χρησιμοποιείτε ψεκασμό υψηλής πίεσης. Μην ψεκάζετε με βρόχινο νερό, αλμυρό νερό ή νερό με υψηλή περιεκτικότητα σε μεταλλικά στοιχεία.
- Καθαρίστε το εξωτερικό της συσκευής; μην χρησιμοποιείτε προϊόντα με βάση διαλύτες. Μπορείτε να χρησιμοποιήσετε ένα συγκεκριμένο kit καθαρισμού ως εξάρτημα: το PAC NET.




- Μην διακόπτετε την παροχή ρεύματος ενώ η συσκευή είναι σε λειτουργία. Εάν διακοπεί η παροχή ρεύματος, περιμένετε ένα λεπτό πριν την ενεργοποιήσετε ξανά.
- Πριν από οποιαδήποτε συντήρηση, αποκατάσταση ή επισκευή, συνιστάται να απενεργοποιήσετε τη σύνδεση Wi-Fi από το ρούτερ για να αποφύγετε τυχόν κίνδυνο απομακρυσμένου ελέγχου της συσκευής.
- Συνιστάται η γενική συντήρηση της μονάδας να πραγματοποιείται τουλάχιστον μία φορά το χρόνο για να διασφαλίζεται η σωστή λειτουργία, να διατηρούνται τα επίπεδα απόδοσης και να αποφεύγονται ορισμένες βλάβες. Οι εργασίες αυτές πραγματοποιούνται από τεχνικό με έξοδα του χρήστη.







Ανατρέξτε στο ηλεκτρονικό εγχειρίδιο για λεπτομέρειες σχετικά με τις προφυλάξεις ασφαλείας του ψυκτικού μέσου R32 και τις εργασίες συντήρησης που πρέπει να εκτελούνται από εξειδικευμένο τεχνικό.



- Πριν επικοινωνήσετε με τον αντιπρόσωπο, πραγματοποιήστε αυτούς τους απλούς ελέγχους σε περίπτωση προβλήματος. Εάν το πρόβλημα παραμένει, επικοινωνήστε με τον μεταπωλητή σας.
-  : Οι ενέργειες αυτές πρέπει να πραγματοποιούνται από ειδικευμένο τεχνικό μόνο.

### Συμπεριφορά της συσκευής

<p>Η συσκευή δεν ξεκινά αμέσως τη θέρμανση</p>	<ul style="list-style-type: none"> <li>• Όταν η ροή νερού είναι μηδενική ή ανεπαρκής, η συσκευή σταματά: ελέγξτε ότι το νερό κυκλοφορεί σωστά στη συσκευή και ότι έχουν γίνει οι υδραυλικές συνδέσεις.</li> <li>• Η συσκευή σταματά όταν η εξωτερική θερμοκρασία πέσει κάτω από <math>-7^{\circ}\text{C}</math>.</li> </ul>
<p>Η συσκευή αδειάζει νερό</p>	<ul style="list-style-type: none"> <li>• Για να ελέγξετε ότι το νερό δεν προέρχεται από διαρροή στο κύκλωμα της πισίνας στη συσκευή, απενεργοποιήστε και ενεργοποιήστε την αντλία φίλτρανσης για να κυκλοφορήσει το νερό στη συσκευή. Εάν εξακολουθεί να αδειάζεται νερό μέσω εκκένωσης συμπυκνωμάτων, υπάρχει διαρροή νερού στη συσκευή: επικοινωνήστε με τον μεταπωλητή σας.</li> </ul>
<p>Ο εξατμιστής έχει παγώσει</p>	<ul style="list-style-type: none"> <li>• Η συσκευή σύντομα θα περάσει στον κύκλο απόψυξης για να λιώσει ο πάγος.</li> <li>• Εάν η συσκευή δεν καταφέρει να ξεπαγώσει τον εξατμιστή, θα κλείσει μόνη της. Σημαίνει ότι η εξωτερική θερμοκρασία είναι πολύ χαμηλή (κάτω από <math>-^{\circ}\text{C}</math>).</li> </ul>
<p>Η συσκευή «καπνίζει»</p>	<ul style="list-style-type: none"> <li>• Εάν η συσκευή δεν βρίσκεται στον κύκλο απόψυξης, αυτό δεν είναι φυσιολογικό. Απενεργοποιήστε και αποσυνδέστε τη συσκευή αμέσως και επικοινωνήστε με τον μεταπωλητή σας.</li> </ul>
<p>Η συσκευή δεν λειτουργεί</p>	<ul style="list-style-type: none"> <li>•  Εάν δεν εμφανίζεται κάτι στην οθόνη, ελέγξτε την τάση τροφοδοσίας και την ασφάλεια F1.</li> <li>• Όταν η ροή νερού είναι μηδενική ή ανεπαρκής, η συσκευή σταματά: ελέγξτε ότι το νερό κυκλοφορεί σωστά στην αντλία θερμότητας.</li> </ul>
<p>Ο ανεμιστήρας λειτουργεί αλλά ο συμπιεστής σταματά κατά διαστήματα χωρίς μήνυμα σφάλματος</p>	<ul style="list-style-type: none"> <li>• Αν η εξωτερική θερμοκρασία είναι χαμηλή, η συσκευή θα εκτελέσει κύκλους απόψυξης.</li> <li>• Η συσκευή δεν καταφέρνει να αιχμαλωτίζονται αρκετές θερμίδες επειδή ο εξατμιστής της είναι φραγμένος. Καθαρίστε τον για να επαναφέρετε την απόδοσή του.</li> </ul>
<p>Η συσκευή λειτουργεί αλλά η θερμοκρασία του νερού δεν αυξάνεται</p>	<ul style="list-style-type: none"> <li>• Ο τρόπος λειτουργίας δεν είναι αρκετά ισχυρός (η συσκευή σε λειτουργία «SILENT» ή «SMART»). Μεταβείτε στη λειτουργία «BOOST» και ρυθμίστε τη φίλτρανση στο χειροκίνητο 24/24 ενώ η θερμοκρασία αυξάνεται.</li> <li>• Ελέγξτε ότι η αυτόματη βαλβίδα πλήρωσης δεν έχει κολλήσει σε ανοιχτή θέση. Θα συνεχίσει να παρέχει κρύο νερό στην πισίνα και να εμποδίζει την άνοδο της θερμοκρασίας.</li> <li>• Υπάρχει υπερβολική απώλεια θερμότητας επειδή ο αέρας είναι δροσερός. Τοποθετήστε ένα θερμομονωτικό κάλυμμα πάνω από την πισίνα.</li> <li>• Η συσκευή δεν καταφέρνει να αιχμαλωτίζονται αρκετές θερμίδες επειδή ο εξατμιστής της είναι φραγμένος. Καθαρίστε τον για να επαναφέρετε την απόδοσή του.</li> <li>•  Ελέγξτε ότι το μέγεθος της συσκευής είναι κατάλληλο για αυτήν την πισίνα και το περιβάλλον της.</li> </ul>
<p>Η συσκευή ενεργοποιεί τον διακόπτη κυκλώματος</p>	<ul style="list-style-type: none"> <li>•  Ελέγξτε ότι ο αυτόματος διακόπτης είναι σωστά διαστασιολογημένος και ότι το τμήμα καλωδίου που χρησιμοποιείται είναι κατάλληλο.</li> <li>•  Η τάση της τροφοδοσίας είναι πολύ χαμηλή; επικοινωνήστε με τον πάροχο ηλεκτρικής ενέργειας.</li> </ul>



Ανατρέξτε στο ηλεκτρονικό εγχειρίδιο για λεπτομέρειες σχετικά με την εμφάνιση κωδικών σφάλματος, τη συμπεριφορά των LED στην πλακέτα κυκλώματος και τα διαγράμματα καλωδίσωσης.



Επιδόσεις: αέρα στους 28 °C / νερού στους 28 °C / υγρασίας στους 80%.

		MD4	MD5	MD6
Ισχύς εξόδου (μέγιστη-ελάχιστη ταχύτητα)	kW	11 - 3,1	14 - 4,4	16 - 4,7
Κατανάλωση ισχύος (μέγιστη-ελάχιστη ταχύτητα)	kW	1,9 - 0,3	2,6 - 0,5	3,2 - 0,5
Μέσο CdP (μέγιστη-ελάχιστη ταχύτητα)		5,8 - 10,3	5,4 - 8,8	5 - 9,4

### Τεχνικές προδιαγραφές

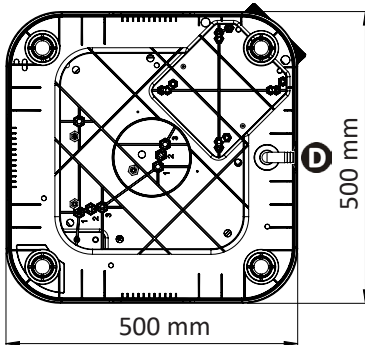
Θερμοκρασία λειτουργίας	Αέρα	Σε λειτουργία «Θέρμανση»: από -7 έως 35°C Σε λειτουργία «Ψύξη»: από 10 έως 35°C
	Νερού	από 15 έως 32°C
Πίεση λειτουργίας	Ψυκτικό υγρό	από 2 έως 42 bar (από 0,2 έως 4,2 MPa)
	Νερού	από 0 έως 2 bar (από 0 έως 0,2 MPa)
Παροχή ρεύματος		220 - 240 V ~ / 1 φάση / 50 Hz
Αποδεκτή διακύμανση τάσης		±6% (κατά τη λειτουργία)
Υδραυλικές συνδέσεις		2 σύνδεσμοι PVC Ø 40 2 συστολές PVC Ø 40/50 2 ρακόρ PVC 45° Ø 50
Τύπος ψυκτικού υγρού		R32
Βαθμός προστασίας		IP24
Εύρος συχνοτήτων	GHz	2,400 - 2,497
Ισχύς μετάδοσης ραδιοσυχνοτήτων	dBm	+19,5
Τόπος εγκατάστασης		Εσωτερικός/εξωτερικός

### Τεχνικές προδιαγραφές

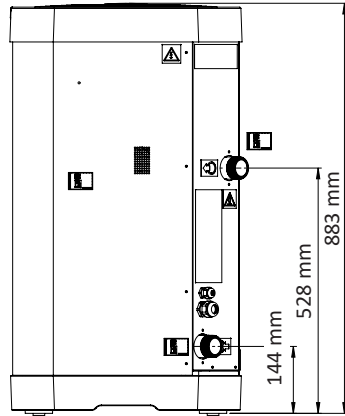
		MD4	MD5	MD6
Απαιτήση ονομαστικού ηλεκτρικού ρεύματος	A	8	10,1	12,3
Απαιτήση μέγιστου ηλεκτρικού ρεύματος	A	9,0	12,3	15,9
Ελάχιστη διατομή καλωδίου*	mm <sup>2</sup>	3x2,5	3x2,5	3x2,5
Ακουστική ισχύς (μέγιστη-ελάχιστη)	db(A)	70 - 64	71 - 63	73 - 65
Ηχητική πίεση στα 10 m (μέγιστη-ελάχιστη)	db(A)	39 - 33	40 - 32	42 - 34
Συνιστώμενη ροή νερού	m <sup>3</sup> /h	3,4	4,2	5
Φορτίο ψυκτικού μέσου	kg	0,7	0,85	0,95
	Ισοδ. Τόνοι CO2	0,47	0,57	0,64
Βάρος κατά προσέγγιση	kg	41	46	47

\*Ενδεικτικές τιμές για μέγιστο μήκος 20 μέτρα (βάση υπολογισμού: NFC15-100), πρέπει να ελεγχθεί και να προσαρμοστεί ανάλογα με τις συνθήκες εγκατάστασης και τα πρότυπα της χώρας εγκατάστασης.





Πυθμένας



Πίσω

**A**

Πόρτα πρόσβασης στο τεχνικό μέρος

**B**

Είσοδος νερού πισίνας

**C**

Έξοδος νερού πισίνας

**D**

Εκκένωση συμπυκνωμάτων

9

Σύμβολα διαγραμμάτων καλωδίωσης



4.4 Διαγράμματα καλωδίωσης

Σύμβολο	Περιγραφή	Σύμβολο	Περιγραφή
A1	Κάρτα ηλεκτρονικής ρύθμισης	FS	Διακόπτης ροής
A2	Πίνακας οθόνης (HMI)	V1 - V2	Βαρίστορ
A4	Ηλεκτρονική κάρτα συμπίεστή	G/Y	Πράσινο-Κίτρινο
CM	Συμπίεστής	BLK	Μαύρο
EEV	Ηλεκτρονική βαλβίδα εκτόνωσης	BLU	Μπλε
F1 - F2	Ασφάλεια	BRN	Καφέ
FAN	Κινητήρας του ανεμιστήρα	ORG	Πορτοκαλί
HP	Διακόπτης υψηλής πίεσης	PNK	Ροζ
ST1	Αισθητήρας θερμοκρασίας εισόδου νερού	RED	Κόκκινο
ST2	Αισθητήρας θερμοκρασίας περιβάλλοντος	GRY	Γκρι
ST3	Αισθητήρας θερμοκρασίας τυμπάνου	BLK	Μαύρο
ST4	Αισθητήρας θερμοκρασίας σωλήνα υγρού	VLT	Μωβ
ST5	Αισθητήρας θερμοκρασίας εκκένωσης	WHT	Λευκό
4WV	Βαλβίδα 4 κατευθύνσεων	YEL	Κίτρινο



Συμβουλευτείτε αυτόν τον πίνακα για να διαβάσετε την ετικέτα των διαγραμμάτων καλωδίωσης που βρίσκεται στο πίσω μέρος του ηλεκτρικού κιβωτίου. Τα διαγράμματα καλωδίωσης είναι επίσης διαθέσιμα στο ηλεκτρονικό εγχειρίδιο.



## VARNINGAR



Denna handbok innehåller endast grundläggande information om vilka säkerhetsåtgärder som ska vidtas vid installation, service och idrifttagning. Den fullständiga handboken kan läsas och laddas ned i form av en PDF-fil på webbplatsen [www.zodiac.com](http://www.zodiac.com). Allt monterings-, elinstallations- och servicearbete ska utföras av kvalificerad och behörig personal som läst igenom denna handbok noga. Vi förbehåller oss rätt att utan föregående meddelande helt eller delvis ändra våra produkters egenskaper och innehållet i detta dokument



### SÄKERHETSFORESKRIFTER

- Enheten är avsedd att användas i pooler och spa i ett bestämt syfte. Den får inte användas för andra ändamål än sådana den är konstruerad för.
- Bristande respekt för säkerhetsföreskrifterna kan medföra allvarlig skada på poolen eller leda till allvarlig personskada eller till och med döden.
- Denna enhet är inte avsedd att användas av person (däribland barn) med nedsatt fysisk, sensorisk eller mental förmåga eller person som saknar erfarenhet eller kunskaper, med mindre personen står under tillsyn eller instrueras i hur enheten används av någon som ansvarar för hans säkerhet. Barn ska hållas under tillsyn för att de inte leker med enheten.
- Denna enhet får användas av barn över åtta års ålder och av personer med nedsatt fysisk, sensorisk eller mental förmåga eller som saknar erfarenhet eller kunskaper, om de står under tillsyn eller instrueras i hur enheten används av någon som ansvarar för hans säkerhet och om de förstår vilka risker de löper. Barn får inte leka med apparaten. Rengöring och underhåll av användare får inte utföras av barn utan tillsyn.
- Enheten ska installeras i enlighet med tillverkarens anvisningar och gällande lokala och nationella bestämmelser ska respekteras.
- Våra produkter får endast monteras och installeras i pooler som uppfyller standard IEC 60364-7-702 jämte gällande nationella bestämmelser. Installationen ska uppfylla IEC-standard 60364-7-702 och gällande nationella bestämmelser för pooler. Samråd med din lokala återförsäljare för närmare upplysningar.



### SÄKERHETSFORESKRIFTER FÖRKNIPPADE MED ELEKTRISKA APPARATER

- Enhetens elmatning ska skyddas av en särskild jordfelsbrytare på 30 mA som uppfyller i installationslandet gällande standarder och bestämmelser.
- Utrustningen har inte någon elomkopplare från fränkoppling. I enlighet med gällande nationella bestämmelser ska en anordning för att koppla från elmatningen med minst överspänningskategori 3 tillföras fästkablagen.
- Är nätsladden skadad får den endast bytas av tillverkaren, auktoriserad representant eller en serviceverkstad.



### SÄKERHETSFORESKRIFTER RÖRANDE ENHETER SOM INNEHÅLLER KÖLDMEDIUM R32



- Denna anordning innehåller köldmedium R32, ett köldmedium av kategori A2L som anses vara potentiellt brandfarligt.
- Köldmediet R32 får inte släppas ut i luften. Det rör sig om en fluorerad växthusgas som omfattas av Kyotoprotokollet och som kan bidra till den globala uppvärmningen (GWP-värde 675 (se EU-förordning nr 517/2014)).
- För att respektera relevanta normer och bestämmelser avseende miljö och installation, särskilt franskt dekret nr 2015-1790 och/eller EU-förordning nr 517/2014, måste en sökning efter läckage göras på kylkretsen vid start och minst en gång per år. Detta arbete ska utföras av en specialist som är behörig för att testa kylanläggningar.
- Enheten ska förvaras i ett utrymme utan gnistkällor i ständig funktion (exempelvis öppna lågor, gasdrivna apparater i funktion eller elvärme i funktion).
- Ytterligare upplysningar återfinns i säkerhetsföreskrifterna för enheter innehållande R32-gas i den utvidgade versionen av handboken. I denna specificeras kontrollen över zonen, arbetsmetod, allmänt om arbetsområdet, kontroll av om köldmedium finns, kontroll av att en brandsläckare finns, frånvaro av antändningskällor, luftväxling i zonen, kontroll av kylutrustningen, kontroll av elkomponenter, reparation av isolerade komponenter, reparation av inbyggda komponenter, kablage, detektering av brandfarligt köldmedium, tömning och avtappning samt förfaranden för påfyllning och demontering.



### INSTALLTION OCH SERVICE

- Endast personer som är kvalificerade inom relevanta tekniska områden (el, hydraulik eller kylning) är behöriga att utföra installations-, service- eller reparationsarbete på enheten.
- Enheten får inte installeras i närheten av brandfarliga ämnen eller vid luftintaget till en intilliggande byggnads ventilationssystem.
- Vid servicearbete på enheten måste den värmebärande vätskans sammansättning och skick verifieras, liksom att det inte finns spår av köldmedium.
- Vid det årliga testet av enhetens täthet ska, i enlighet med gällande bestämmelser, tryckvakterna för högt och lågt tryck kontrolleras, dvs. att de är rätt anslutna till kylkretsen och att de bryter strömmen när de löser ut.
- Säkerställ vid servicearbete att det inte finns några spår av korrosion eller oljefläckar vid kylkomponenterna.
- Stoppa enheten och vänta några minuter innan du börjar arbeta med kylkretsen och monterar temperatur- och tryckgivare. Vissa delar, som kompressor och rörverk, kan bli varmare än 100 °C och nå höga tryck, vilket medför en risk för allvarliga brännskador.



## VARNINGAR



### KÖLDMEDIETS SPECIFIKATIONER

#### Kontroll av zonen

- Denna anordning innehåller köldmedium R32, ett köldmedium av kategori A2L som anses vara potentiellt brandfarligt.
- Köldmediet R32 får inte släppas ut i luften. Det rör sig om en fluorerad växthusgas som omfattas av Kyotoprotokollet och som kan bidra till den globala uppvärmningen (GWP-värde 675 (se EU-förordning nr 517/2014).
- För att respektera relevanta normer och bestämmelser avseende miljö och installation, särskilt franskt dekret nr 2015-1790 och/eller EU-förordning nr 517/2014, måste en sökning efter läckage göras på kylkretsen vid start och minst en gång per år. Detta arbete ska utföras av en specialist som är behörig för att testa kylanläggningar.
- Enheten ska förvaras i ett utrymme utan gnistkällor i ständig funktion (exempelvis öppna lågor, gasdrivna apparater i funktion eller elvärme i funktion).
- Ytterligare upplysningar återfinns i säkerhetsföreskrifterna för enheter innehållande R32-gas i den utvidgade versionen av handboken. I denna specificeras kontrollen över zonen, arbetsmetod, allmänt om arbetsområdet, kontroll av om köldmedium finns, kontroll av att en brandsläckare finns, frånvaro av antändningskällor, luftväxling i zonen, kontroll av kylutrustningen, kontroll av elkomponenter, reparation av isolerade komponenter, reparation av inbyggda komponenter, kablage, detektering av brandfarligt köldmedium, tömning och avtappning samt förfaranden för påfyllning och demontering.

#### Arbetsmetod

- För att begränsa risken för att brandfarliga gaser eller ångor frigörs under arbetet ska detta utföras enligt ett kontrollerat förfarande.

#### Generellt om arbetsområdet

- Servicepersonal och andra personer som arbetar inom området ska vara informerade om arten av det arbete som ska utföras. Arbete i slutna utrymmen ska undvikas.

#### Kontroll av om köldmedium förekommer

- För att teknikern ska uppmärksammas på förekomsten av potentiellt toxisk eller brandfarlig atmosfär ska området före och under arbetet bli föremål för en kontroll med lämplig köldmediedetektor. Säkerställ att den utrustning för detektering av läckage som används lämpar sig för att användas med relevanta köldmedier, dvs. att den inte kan ge upphov till gnistor, är vederbörligen isolerad eller helt säker till sin konstruktion.

#### Kontroll av att en brandsläckare finns

- Ska arbete som innebär viss högre temperatur utföras på kylutrustningen eller på någon tillhörande del, ska lämplig brandsläckningsutrustning finnas lätt tillgänglig. En pulver- eller CO<sub>2</sub>-släckare ska finnas i närheten av området för påfyllning.

#### Frånvaro av antändningskällor

- Det är förbjudet för alla som utför arbete på ett kylsystem som innebär att rörverk exponeras, att använda antändningskällor på ett sätt som skulle kunna medföra risk för eldsvåda eller explosion. När köldmedium eventuellt kan frigöras i det omgivande utrymmet måste alla eventuella antändningskällor, däribland cigaretter, hållas på tillräckligt långt avstånd från installations-, reparations-, avtappnings- eller elimineringsplatsen. Innan arbetet på börjas ska området runt utrustningen undersökas, för att säkerställa att det inte finns någon risk för antändlighet eller antändning. Skyltar med Rökning förbjuden måste sättas upp.

#### Ventilation av området

- Säkerställ att området är öppet och har god luftväxling innan du på vad sätt det vara må tränger in i enheten för att utföra servicearbete. Relevant luftväxling som medger att eventuellt köldmedium som av misstag skulle kunna frigöras i atmosfären vädras ut på ett säkert sätt ska upprätthållas medan servicearbete utförs på enheten.



### INFORMATION OM ÅTERVINNING

- Kontakta din återförsäljare för information om återvinning.

### INFORMATION FÖR PRODUKTER MED ANSLUTNINGSMÖJLIGHETER (enligt RED-direktivet)

#### Försäkran om överensstämmelse

Zodiac försäkrar härmed att radioutrustningen av typ Z350iQ överensstämmer med EU-direktiv 2014/53/EU. Fullständig text till EU-försäkran om överensstämmelse återfinns på denna adress: <https://www.zodiac-poolcare.com/>.

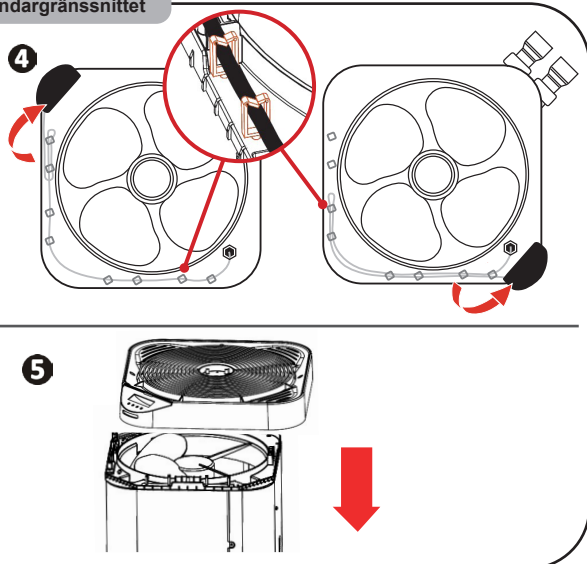
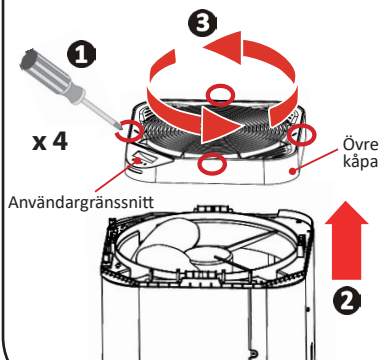
# 1 Installera enheten



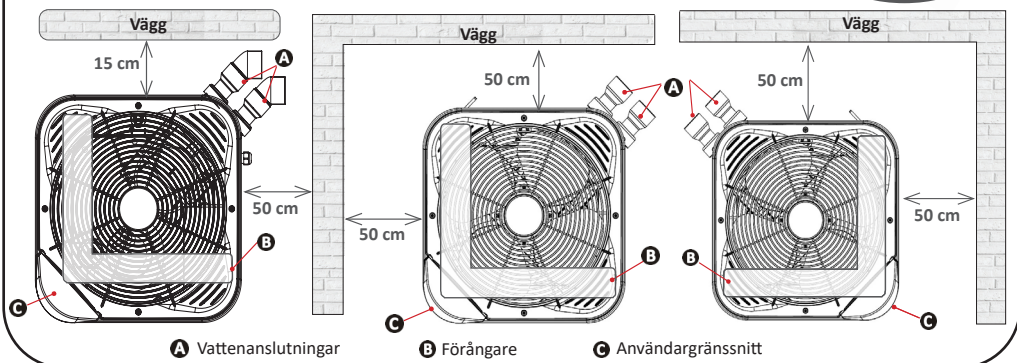
1 Installation

Luta vid behov den övre delen och användargränssnittet

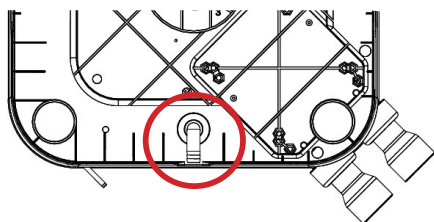
**!** OBS! Visningspanelen (under skärmen) är ansluten till manöverpanelen inuti enheten med en kabel. Hantera den övre kåpan försiktigt för att inte skada denna kabel.



Välj den placering och de vattenanslutningar som passar bäst med hur installationen är konfigurerad



**Avled kondensat** Installera en slang med  $\varnothing 18$  på den räfflade rörböj som ska monteras under enhetens botten.



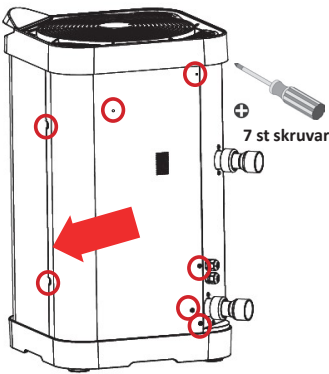
I online-handboken finns närmare information om försiktighetsåtgärder vid installation och vattenanslutningar.



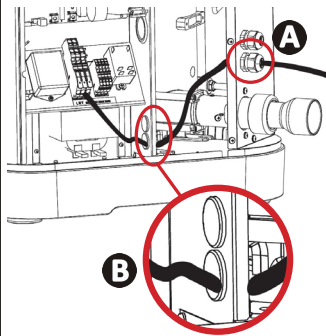
- Bryt elmatningen före allt arbete inuti enheten (risk för elstöt). Elmatningen måste brytas på ett sådant sätt att man hela tiden och oavsett åtkomstpunkt kan verifiera att elmatningen fortfarande är bruten. Är detta inte möjligt måste du använda ett låssystem.
- Endast en kvalificerad och erfaren tekniker är behörig att utföra arbete med kablage i enheten eller att byta nätsladden.
- Säkerställ att plintskruvarna är ordentligt åtdragna (risk för elstöt). Dåligt åtdragna plintskruvar medför att garantin upphör att gälla.
- Koppla inte ur strömförsörjningen medan enheten är i drift. Vänta i en minut efter ett strömavbrott innan du åter strömsätter enheten.

### Ansluta enheten till elmatning och tillbehör

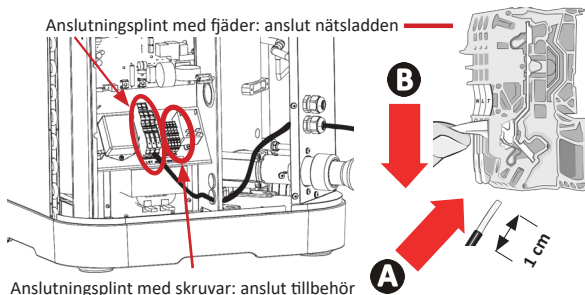
#### 1 Öppna och ta bort.



#### 2 För igenom nätsladden.



#### 3 Dra nätsladden. Vid anslutning av tillbehör: för inte ledningarna genom samma packbox som matningskabeln.



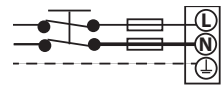
### Kablage och ledningsskydd

Modell	Strömförsörjning	Max strömstyrka	Kabelns diameter *	Magnetiskt värmskydd
MD4	220-240 V Enfas 50 Hz	9,1	<ul style="list-style-type: none"> <li>• Typ H07RN-F</li> <li>• Diameter: 13-18 mm</li> <li>• Minsta kabeltvärsnitt: – för matningskabeln: 3 x 2,5 mm<sup>2</sup></li> <li>– för tillbehörsledningen: 2 x 0,75 mm<sup>2</sup></li> </ul>	C- eller D-kurva 30 mA
MD5		10,8		
MD6		13,5		

\* Kabeltvärsnitt anpassat för en högst 20 meter lång kabel.

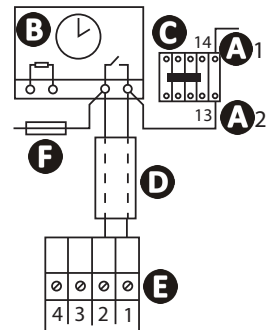
### Ansluta elmatning

ELMATNING  
VÄXELSTRÖM  
220-240 V  
ENFAS 50 Hz



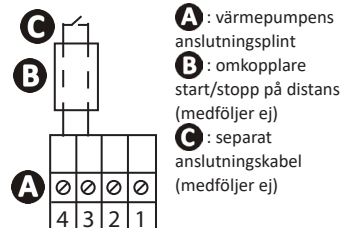
trög säkring

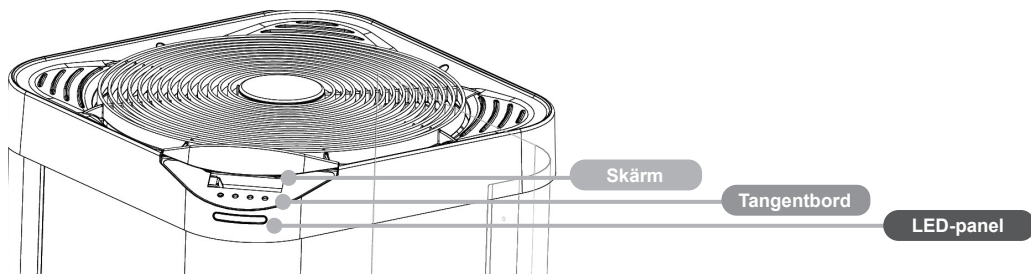
### Ansluta värmeförval



- A1 – A2:** matning till filtreringspumpens kontaktorspole
- B:** filtreringstimer
- C:** kontaktor (tre- eller tvåpolig) till filtreringspump
- D:** separat kabel för funktionen Värmeförval (medföljer ej)
- E:** värmepumpens anslutningsplint
- F:** säkring

### Ansluta START/STOPP på distans





## Skärm



## Tre lägen:

- BOOST
- SMART
- SILENCE

Uppmätt  
vattentemperatur

LED-panel (lyser som standard)  
Se sidan 4 om hur du släcker den

## Grönt – Uppvärmning

- Värmepumpen värmer vattnet
- Temperaturbörvärdet har uppnåtts

## Blått – Kylning

- Värmepumpen kyler vattnet

## Rött – Fel

- Se online-handboken

## Tangentbord



- Byta läge
- Gå till menyn (tryck och håll in)
- Validera (bekräfta)



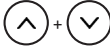
- Navigering
- Ställa in värden



- ON/OFF (tryck och håll in)
- Tillbaka

## Indikeringslampor

	Fast	Blinkande	Släckt
Tangentbord låst		–	Tangentbord upplåst
Rätt vattenflöde		För svagt eller obefintligt vattenflöde	–
Anger valt läge		–	–
–		Yttertemperaturen ligger utanför driftintervallet	Yttertemperaturen ligger inom driftintervallet
°C °F Vald temperaturenhet		–	–
WiFi anslutet		Parkoppling WiFi pågår	WiFi Inte anslutet

**Läsa/låsa upp tangentbordet**

3 sekunder

**Ange automatisk låsning (på som standard)**

Tryck och håll in



Upp till P19



Bekräfta



ON (på) eller OFF (av)



Bekräfta

**Ställa in temperaturbörvärde**

Tryck från huvudskärmbilden för att ställa in värdet



Höja eller sänka temperaturen



Bekräfta (automatiskt om ingen aktivitet i 30 sekunder)

**Rekommenderad temperatur: 28 °C**  
**Maxtemperatur: 32 °C****Slå på/av läget Kylning (avstängt som standard)**

Att läget Kylning slagits på bekräftas genom tre blinkningar i rad i blått.



Tryck länge, tills COOL visas på skärmen



Bekräfta



ON (på) eller OFF (av)



Bekräfta

**Välja uppvärmningsläge**

För att anpassa varvtalet beroende på effektbehov och valt läge har värmepumpen tre aktiva driftlägen:

- läget BOOST
- läget SMART
- läget SILENCE



Tryck från huvudskärmbilden: indikeringen ► ställer sig framför något av de tre lägena

**Stänga av LED-panelen (lyser som standard)**

Tryck och håll in från huvudskärmbilden: COOL visas på skärmen



LED visas på skärmen



Bekräfta



ON (på) eller OFF (av)



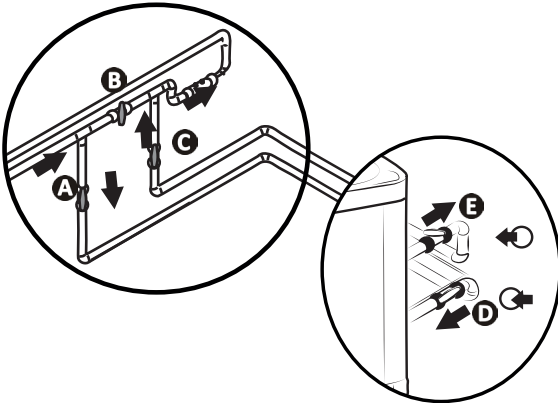
Bekräfta




I online-handboken finns närmare information om driftlägena och om hur LED-panelen fungerar.



## Öppna vattenkretsen

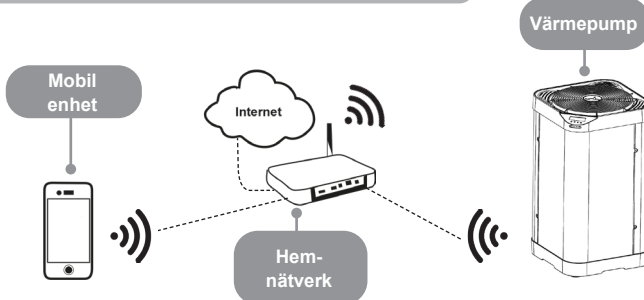


**OBS!** Felaktig inställning av bypass kan medföra att värmepumpen inte fungerar som den ska.

- Stäng gradvis ventil B.
- Öppna helt ventil A, C och D. Öppna ventil E till hälften (luft som ansamlats i kondensator och i filtreringskrets luftas ut). Öppna ventil A helt och stäng ventil C till hälften om det inte finns några ventiler D och E.
- Anslut elmatningen till värmepumpen.
- Står värmepumpen i vänteläge, trycker du i tre sekunder på  Startskärmbilden visas i fyra sekunder och därefter huvudskärmbilden. En två minuters timer startar.
- Ställa in önskad temperatur.



## Gå tillbaka till Fluidra Pool-appen



Värmepumpen kan fjärrstyras från en smartphone eller pekdator via appen Fluidra Pool, som finns för iOS och Android operativsystem. Kontrollera följande innan du ansluter till Fluidra Pool-appen:

- Använd en WiFi-kompatibel smartphone eller pekdator.
- Använd ett WiFi-nätverk med tillräckligt stark signal för att kunna ansluta till värmepumpen. WiFi-signalen måste kunna tas emot på den plats där enheten används. I annat fall måste man hitta en teknisk lösning för att förstärka den befintliga signalen.
- Befinn dig i närheten av enheten och ha lösenordet till ditt hemnätverk lätt tillgängligt.

Ladda ned Fluidra Pool-appen



Tryck och håll in

På skärmen visas bLE

Öppna appen och gå igenom de steg som anges i appen för att lägga till värmepumpen.





## Vinterförvaring

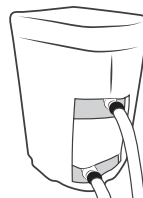


Tryck och håll in för att stänga av enheten

Koppla från strömförsörjningen

Stäng ventil A och C och öppna ventil D och E (i förekommande fall)

Töm ut kondensvattnet för att undvika frostsador



Lägg på det isolerande täcket för vinterförvaring

- Vid fullständig vinterförvaring av poolen (helt stoppat filtreringssystem, dränering av filtreringskretsen respektive tömning av poolen): montera tillbaka de två kopplingarna ett varv för att undvika att främmande föremål kommer in i kondensorn,
- Vid vinterförvaring endast av värmepumpen (endast uppvärmning stoppad, filtreringen fortsatt i drift): skruva inte på kopplingarna igen, utan förslut kondensorns in- och utgångar med de två (medföljande) pluggarna.
- Lägg det isolerande täcket för vinterförvaring över värmepumpen genom att föra vattenanslutningarna genom den öppningen. Vatten- och elanslutningar behöver inte kopplas från.



- Vinterförvaring är oerhört viktigt för att undvika sprickor i kondensorn till följd av frost (frost utan vinterförvaring omfattas inte av garantin).
- Undvik skador på enheten på grund av kondensation genom att inte täcka över helt och använda det medföljande täcket för vinterförvaring.



## Service

- Säkerställ att inga främmande föremål sitter för fläktgallret.
- Rengör förångaren med en mjuk borste och en sötvattensstråle (koppla från nätsladden).
- Rengör ledningen för att avleda kondensat för att eliminera smuts som kan sätta igen den.
- Säkerställ att kopplingsboxens fläktgaller är rent.
- Använd inte högtryckspruta. Spruta inte med regnvatten, smutsigt vatten eller mineralhaltigt vatten.
- Rengör enheten utvändigt, men använd inte lösningmedelsbaserade produkter. Du kan använda en särskild rengöringssats finns som tillbehör: Pac Net.




- Koppla inte ur strömförsörjningen medan enheten är i drift. Vänta i en minut efter ett strömavbrott innan du åter strömsätter enheten.
- För att undvika eventuell risk för fjärrstyrning av enheten rekommenderar vi att man före allt service-, felsöknings- och reparationsarbete stänger av modemets WiFi-anslutning.
- För att garantera att den fungerar väl, behåller sin prestanda och för att undvika eventuella haverier, rekommenderar vi att enheten blir föremål för allmän service minst en gång per år. Sådant arbete utförs på användarens bekostnad, av en behörig tekniker.







I online-handboken finns närmare information om säkerhetsföreskrifter rörande köldmedium R32 och om serviceåtgärder som ska utföras av en behörig tekniker.



- Utför vid eventuella problem dessa enkla kontroller innan du kontaktar återförsäljaren. Kontakta din återförsäljare om problemet kvarstår.
-  : Åtgärderna ska endast utföras av behörig tekniker.

### Enhetens beteende

Enheten börjar inte värma omedelbart	<ul style="list-style-type: none"> <li>• Om vattenflödet upphört eller är otillräckligt stannar enheten. Verifiera att vattnet cirkulerar rätt i enheten och att vattenanslutningarna är rätt gjorda.</li> <li>• När lufttemperaturen sjunker under <math>-7^{\circ}\text{C}</math> stannar enheten.</li> </ul>
Enheten avger vatten	<ul style="list-style-type: none"> <li>• Verifiera att vattnet inte kommer från ett läckage på poolkretsen vid enheten, genom att stoppa enheten och köra filtreringspumpen så att vatten cirkulerar i enheten. Fortsätter vatten att rinna ut via avrinningarna för kondensat, finns ett vattenläckage i enheten – kontakta återförsäljaren.</li> </ul>
Förångaren har frusit	<ul style="list-style-type: none"> <li>• Enheten börjar snart köra en avfrostningscykel för att smälta isen.</li> <li>• Lyckas enheten inte frosta av sin förångare stannar den av sig själv. Det beror på att utomhustemperaturen är för låg (under <math>-^{\circ}\text{C}</math>).</li> </ul>
Enheten "ryker"	<ul style="list-style-type: none"> <li>• Står enheten inte i en avfrostningscykel är det inte normalt. Stäng omedelbart av enheten och kontakta återförsäljaren.</li> </ul>
Apparaten fungerar inte	<ul style="list-style-type: none"> <li>•  Verifiera matningsspänning och säkring F1 om inget meddelande visas.</li> <li>• Har vattenflödet upphört eller är otillräckligt stannar enheten. Verifiera att vattnet cirkulerar rätt i enheten.</li> </ul>
Fläkten går men kompressorn stannar med jämna mellanrum utan något felmeddelande	<ul style="list-style-type: none"> <li>• Är ytttemperaturen låg kommer enheten att köra avfrostningscykler.</li> <li>• Enheten lyckas inte hämta tillräcklig värme eftersom dess förångare är igensatt. Rengör den för att den ska återfå sin prestanda.</li> </ul>
Enheten fungerar men vattentemperaturen stiger inte	<ul style="list-style-type: none"> <li>• Driftläget är inte tillräckligt kraftfullt (enheten i läget SILENCE eller SMART). Övergå till läget BOOST och ställ in filtreringen på manuell dygnet runt tills temperaturen stiger.</li> <li>• Verifiera att ventilen för automatisk påfyllning inte har fastnat i öppet läge. Det skulle göra att kallt vatten hela tiden tillförs i poolen och hindrar vattnet från att bli varmare.</li> <li>• Värmeförlusten är för stor eftersom luften är kall. Montera ett värmeisolerande täcke över poolen.</li> <li>• Enheten lyckas inte hämta tillräcklig värme eftersom dess förångare är igensatt. Rengör den för att den ska återfå sin prestanda.</li> <li>•  Verifiera att enhetens storlek är lämplig för poolen och dess miljö.</li> </ul>
Enheten löser ut jordfelsbrytaren	<ul style="list-style-type: none"> <li>•  Verifiera att jordfelsbrytaren är rätt dimensionerad och att den kabel som används har rätt tvärsnitt.</li> <li>•  Matningsspänningen är för svag. Kontakta din elleverantör.</li> </ul>



I online-handboken finns närmare information om visningen av felkoder, om hur LED-lamporna på kretskortet fungerar och om kopplingscheman.



Prestanda: luft 28 °C/vatten 28 °C/luftfuktighet 80 %

		MD4	MD5	MD6
Uteffekt (varvtal max-min)	kW	11 - 3,1	14 - 4,4	16-4,7
Förbrukad effekt (varvtal max-min)	kW	1,9 - 0,3	2,6 - 0,5	3,2-0,5
Genomsnittligt COP-värde (varvtal max-min)		5,8-10,3	5,4-8,8	5-9,4

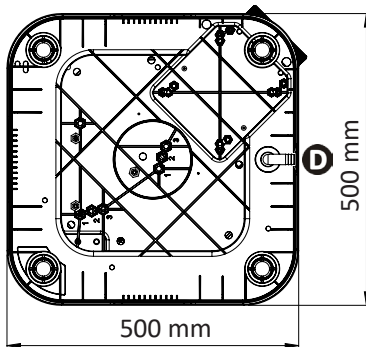
## Tekniska specifikationer

Drifttemperatur	Luft	I läget Uppvärmning: -7-35 °C I läge Kylning: 10-35 °C
	Vatten	15 - 32°C
Drifttryck	Köldmedium	2-42 bar (0,2-4,2 MPa)
	Vatten	0-2 bar (0-0,2 MPa)
Strömförsörjning		220-240 V ~/enfas/50 Hz
Tillåten spänningsvariation		± 6 % (under drift)
Vattenanslutningar		Två PVC-kopplingar Ø 40 Två PVC-adaptrar Ø 40/50 Två 45° PVC-kopplingar Ø 50
Typ av kylvätska		R32
Skyddsklass		IP24
Frekvensband	GHz	2,400 - 2,497
Radiosändarens effekt	dBm	+19,5
Installationsplats		Inomhus/utomhus

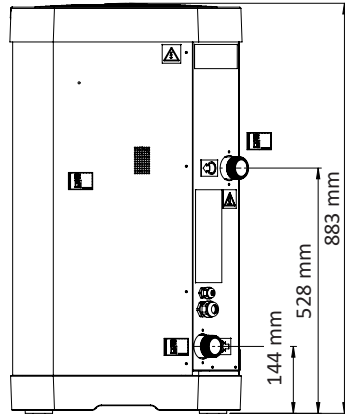
## Tekniska specifikationer

		MD4	MD5	MD6
Nominell strömstyrka som krävs	A	8	10,1	12,3
Högsta strömstyrka som krävs	A	9,0	12,3	15,9
Minsta kabeltvärsnitt *	mm <sup>2</sup>	3x2.5	3x2.5	3x2.5
Ljudnivå (max-min)	db(A)	70-64	71-63	73-65
Ljudtryck vid 10 m (max-min)	db(A)	39-33	40-32	42-34
Rekommenderat vattenflöde	m <sup>3</sup> /tim	3,4	4,2	5
Påfylld kylvätskevolym	kg	0,7	0,85	0,95
	Ton CO <sub>2</sub> -ekvivalenter	0,47	0,57	0,64
Ungefärlig vikt	kg	41	46	47

\* Indikativa värden för en längd på högst 20 meter (beräkningsgrund: NFC 15-100) och måste verifieras och anpassas beroende på installationsförhållanden och normer i installationslandet.



Botten



Bakåt

**A**

Lucka till teknikutrymme

**B**

Ingång poolvatten

**C**

Utgång poolvatten

**D**

Avledning av kondensat

## 9

## Symboler i kopplingsscheman

4,4  
Kopplingsschema

Symbol	Beskrivning	Symbol	Beskrivning
A1	Regleringskort	FS	Omkopplare för vattenflöde
A2	Displaykort (användargränssnitt)	V1-V2	Varistor
A4	Kompressorns kretskort	G/Y	Grön/Gul
CM	Kompressor	BLK	Svart
EEV	Elektronisk expansionsventil	BLU	Blå
F1 – F2	Säkring	BRN	Brun
FAN	Fläktmotor	ORG	Orange
HP	Omkopplare högtryck	PNK	Rosa
ST1	Givare för ingående vattentemperatur	RED	Röd
ST2	Givare för yttertemperatur	GRY	Grå
ST3	Givare för spolens temperatur	BLK	Svart
ST4	Givare för vätskeledningens temperatur	VLT	Lila
ST5	Givare för avrinningstemperatur	WHT	Vit
4WV	Fyrvägsventil	YEL	Gul



I denna tabell återfinns märkningen för kopplingsscheman som sitter på kopplingsdosans baksida. Kopplingsscheman finns även i online-handboken.



## FIGYELMEZTETÉSEK



A jelen kézikönyv csak alapvető információkat tartalmaz a telepítés, a karbantartás és a beüzemelés során betartandó biztonsági intézkedésekről. A teljes kézikönyv elolvasható és letölthető PDF formátumban a következő honlapról: [www.zodiac.com](http://www.zodiac.com). Minden szerelési, elektromos telepítési és karbantartási munkát arra képezített és meghatalmazott személyzet végezhet, akik figyelmesen elolvasták a jelen kézikönyvet. Fenntartjuk a jogot arra, hogy termékeink tulajdonságainak egészét vagy azok egy részét, illetve a dokumentum tartalmát, előzetes értesítés nélkül módosítsuk.



### ÁLTALÁNOS FIGYELMEZTETÉSEK

- A készüléket uszodákban és gyógyfürdőkben való használatra szánták egy meghatározott célra; nem szabad a tervezettől eltérő célra használni.
- A figyelmeztetések figyelmen kívül hagyása súlyos károkat okozhat a medence felszerelésében vagy súlyos, akár halálos kimenetelű sérüléseket okozhat.
- Ezt a készüléket nem használhatják csökkent fizikai, érzékszervi vagy szellemi képességű, tapasztalattal és tudással nem rendelkező személyek (beleértve a gyermekeket is), kivéve, ha a biztonságukért felelős személy felügyeli őket vagy tanácsot ad nekik a készülék használatára vonatkozóan. Biztosítani kell a gyermekek felügyeletét, annak biztosítása érdekében, hogy ne játsszanak a készülékkel.
- Ezt a készüléket csak akkor használhatják 8 évesnél idősebb gyerekek és csökkent fizikai, érzékszervi vagy szellemi képességű, tapasztalattal és tudással nem rendelkező személyek, ha felügyelik őket vagy tanácsot adnak nekik a készülék biztonságos használatára vonatkozóan és ha megértik a felmerülő kockázatokat. A gyermekek nem játszhatnak a készülékkel. A felhasználó általi tisztítást és karbantartást felügyelet nélkül nem végezhetik gyermekek.
- A készüléket a gyártó utasításainak megfelelően kell telepíteni a helyi és nemzetközi normák betartása mellett.
- Termékeinket csak a IEC/HD 60364-7-702 szabványnak és a betartandó helyi szabványoknak megfelelő medencékbe szabad összeszerelni és telepíteni. A telepítésnek meg kell felelnie a IEC/HD 60364-7-702 szabványnak és az úszómedencék esetén meghatározott nemzeti szabályoknak. További információkért vegye fel a kapcsolatot helyi viszonteladójával.

### ELEKTROMOS BERENDEZÉSEKKEL KAPCSOLATOS FIGYELMEZTETÉSEK

- A berendezés elektromos betáplálását a telepítés szerinti országban hatályos szabványoknak és jogszabályoknak megfelelő, 30mA-es differenciálmegszakítóval kell védeni.
- A berendezés nem tartalmaz elektromos kapcsolót a leválasztáshoz. Építsen hozzá egy legalább az OVC III kategóriájú leválasztó berendezést a rögzítő vezetékben, a vonatkozó nemzeti törvényeknek megfelelően.
- Ha a tápkábel sérült, azt csak a gyártó, a meghatalmazott képviselő vagy a szervizközpont cserélheti ki.

### FIGYELMEZTETÉSEK R32 HŰTŐKÖZEGET TARTALMAZÓ BERENDEZÉSEKHEZ



- Ez a készülék R32 hűtőközeget tartalmaz, ez A2L osztályú hűtőközeg, amely potenciálisan gyúlékonynak tekintendő.
- Ne engedje ki az R32 közeget a légkörbe. Ez a közeg egy fluor tartalmú üvegházhatású gáz, amelyre a Kiotói Jegyzőkönyv vonatkozik, amely globális felmelegedési potenciálja (GWP) 675 (517/2014/EU európai jogszabály).
- Annak érdekében, hogy megfeleljen a alkalmazandó környezetvédelmi és telepítési szabványoknak és előírásoknak, különösen a 2015-1790 sz. rendeletnek és/vagy az 517/2014/EU európai jogszabálynak, az első beüzemeléskor és legalább évente egyszer szivárgási vizsgálatot kell végezni a hűtőkörön. Ezt a műveletet hűtőberendezés vizsgálatának elvégzéséhez tanúsítvánnyal rendelkező szakembernek kell elvégeznie.
- A készüléket állandó gyújtóforrást (például nyílt láng, üzemelő gázkészülék vagy működő elektromos fűtés) nem tartalmazó helyiségben kell tárolni.
- További információkért olvassa el a kézikönyv bővített változatában található, R32 gázt tartalmazó készülékre vonatkozó biztonsági utasításokat, amely változatban kifejtésre kerül még a terület ellenőrzése, a munkavégzési eljárás, az általános munkaterület, a hűtőközeg jelenlétének ellenőrzése, a tűzoltó készülék jelenlétének ellenőrzése, a gyújtóforrás hiánya, a terület szellőztetése, a hűtőközeggel működő berendezések ellenőrzése, az elektromos alkatrészek ellenőrzése, a szigetelt alkatrészek javítása, a belső alkatrészek javítása, a vezetékvezetés, a gyúlékony hűtőközeg észlelése, a kiserelés és ürítés, a hűtőközeg cseréjének eljárásai és a szétszerelés.

### TELEPÍTÉS ÉS KARBANTARTÁS

- Csak az érintett műszaki területeken (elektromosság, hidraulika vagy hűtés) képzéssel rendelkező személy jogosult a készülék telepítési, karbantartási és szerelési munkáinak elvégzésére.
- A berendezés nem telepíthető éghető anyagok vagy szomszédos épület szellőzőnyílása közelébe.
- A berendezés karbantartása során ellenőrizni kell a hőcserélő közeg összetételét és állapotát, valamint a hűtőfolyadék nyomainak hiányát.
- A berendezés tömítettségének éves vizsgálata során, az érvényben lévő jogszabályi előírásoknak megfelelően, győződjön meg arról, hogy a magas és alacsony nyomású nyomáskapcsolók megfelelően rögzítve vannak a hűtőkörhöz, és kioldódás esetén megszakítják az elektromos áramkört.
- A karbantartási munkák során ellenőrizze, hogy nincsenek-e korróziós vagy olajnyomok a hűtőrendszer összetevői környékén.
- A hűtőkörön végzett munkák megkezdése előtt állítsa le a berendezést, és várjon néhány percet, mielőtt a hőmérséklet- és nyomásérzékelőket felszereli. Bizonyos elemek, mint például a kompresszor és a csővek, 100°C feletti hőmérsékletet és magas nyomást is elérhetnek, ami súlyos égési sérüléseket okozhat.



## FIGYELMEZTETÉSEK



### HŰTŐKÖZEG TERMÉKISMERTETŐ

#### A terület ellenőrzése

- Ez a készülék R32 hűtőközeget tartalmaz, ez A2L osztályú hűtőközeg, amely potenciálisan gyúlékonynak tekinthető.
- Ne engedje ki az R32 közeget a légkörbe. Ez a közeg egy fluor tartalmú üvegházhatású gáz, amelyre a Kiotói Jegyzőkönyv vonatkozik, amely globális felmelegedési potenciálja (GWP) 675 (517/2014/EU európai jogszabály).
- Annak érdekében, hogy megfeleljen a alkalmazandó környezetvédelmi és telepítési szabványoknak és előírásoknak, különösen a 2015-1790 sz. rendeletnek és/vagy az 517/2014/EU európai jogszabálynak, az első beüzemeléskor és legalább évente egyszer szivárgási vizsgálatot kell végezni a hűtőkörön. Ezt a műveletet hűtőberendezés vizsgálatának elvégzéséhez tanúsítvánnyal rendelkező szakembernek kell elvégeznie.
- A készüléket állandó gyújtóforrást (például nyílt láng, üzemelő gázkészülék vagy működő elektromos fűtés) nem tartalmazó helyiségben kell tárolni.
- További információkért olvassa el a kézikönyv bővített változatában található, R32 gázt tartalmazó készülékre vonatkozó biztonsági utasításokat, amely változatban kifejtésre kerül még a terület ellenőrzése, a munkavégzési eljárás, az általános munkaterület, a hűtőközeg jelenlétének ellenőrzése, a tűzoltó készülék jelenlétének ellenőrzése, a gyújtóforrás hiánya, a terület szellőztetése, a hűtőközeggel működő berendezések ellenőrzése, az elektromos alkatrészek ellenőrzése, a szigetelt alkatrészek javítása, a belső alkatrészek javítása, a vezetékezés, a gyúlékony hűtőközeg észlelése, a kiserelés és ürítés, a hűtőközeg cseréjének eljárásai és a szétszerelés.

#### Munkafolyamat

- A munkálatokat ellenőrzött eljárás szerint kell elvégezni, hogy minimalizálja a gyúlékony gáz vagy gőz jelenlétének kockázatát a munkavégzés során.

#### Általános munkaterület

- A karbantartó személyzetet és a területen dolgozó személyeket tájékoztatni kell az elvégzendő munkálatok természetéről. A zárt térben végzett munkát el kell kerülni.

#### Hűtőközeg jelenlétének ellenőrzése

- A területet a munkavégzés előtt és alatt megfelelő hűtőközeg-érzékelő segítségével kell ellenőrizni, hogy a technikus értesüljön a potenciálisan mérgező vagy gyúlékony légkör jelenlétéről. Győződjön meg róla, hogy az alkalmazott szivárgásérzékelő berendezés megfelel az összes érintett hűtőközeggel történő használatra, azaz nem okoz szikrát, megfelelően tömített és tökéletesen biztonságos.

#### Tűzoltókészülék jelenlétének ellenőrzése

- Ha a hűtőberendezésen vagy bármely kapcsolódó alkatrészben bizonyos hővel járó munkát kell végezni, a megfelelő tűzoltó készüléknek elérhetőnek kell lennie. Egy porral oltó vagy CO2 tűzoltó készüléknek a töltési terület közelében kell lennie.

#### Gyújtóforrás hiánya

- Minden olyan személynek, aki csövezetéseket érintő munkát végez hűtőrendszeren, tilos olyan gyújtóforrásokat használnia, amelyek tűz- vagy robbanásveszélyt okozhatnak. Minden lehetséges gyújtóforrást, beleértve a cigarettát is, elegendő távolságban kell tartani a telepítés, javítás, eltávolítás vagy ártalmatlanítás helyétől, amikor potenciálisan hűtőközeg juthat ki a környezetbe. A munkák megkezdése előtt a berendezés körüli területet át kell vizsgálni lobbanás vagy gyulladásveszély tekintetében. „Tilos a dohányzás” táblákat kell elhelyezni.

#### A terület szellőzése

- Mielőtt bármilyen karbantartás elvégzése érdekében hozzáférne az egységhez, győződjön meg arról, hogy a terület nyitott és jól szellőző. Az egység karbantartása során megfelelő szellőzést kell biztosítani, amely lehetővé teszi a légkörbe esetlegesen kibocsátott hűtőközeg biztonságos szétöröszölését.



### INFORMÁCIÓK ÚJRAHASZNOSÍTÁSSAL KAPCSOLATBAN

- Lépjen kapcsolatba viszonteladójával, hogy az újrahasznosítással kapcsolatban információkat kapjon.

### TÁJÉKOZTATÁS CSATLAKOZTATHATÓ TERMÉKEKKEL KAPCSOLATBAN (a RED irányelv alapján)

#### Megfelelőségi nyilatkozat

A jelen nyilatkozattal a Zodiac kijelenti, hogy a Z350iQ típusú rádióberendezés megfelel a 2014/53/EU irányelvnek. Az európai megfelelőségi nyilatkozat teljes terjedelmében elérhető a következő címen: <https://www.zodiac-poolcare.com/>

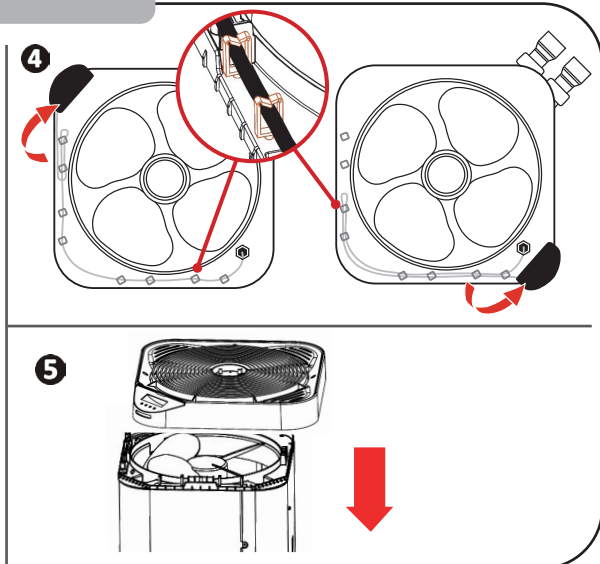
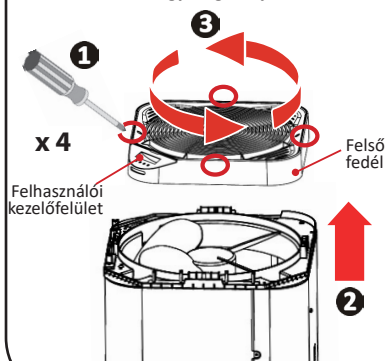
# 1 A készülék telepítése



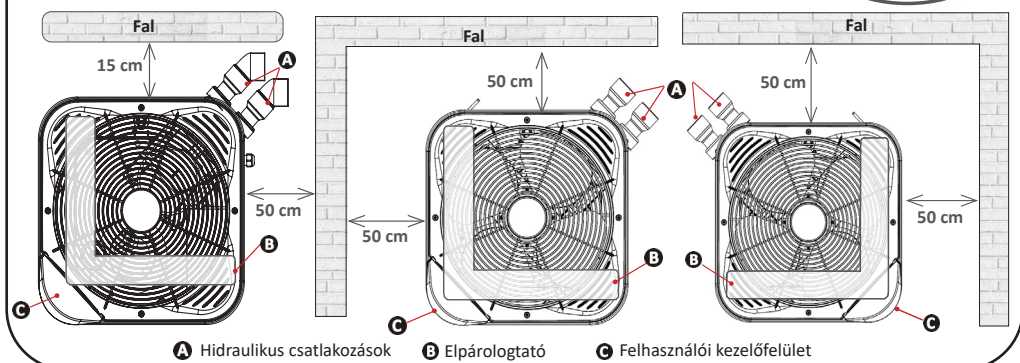
1 Telepítés

Szükség esetén forgassa el a felhasználói felület felső részét.

**FIGYELEM:** a kijelzőpanel (ami a kijelző képernyő alatt található) egy kábellel csatlakozik a készülék belsejében lévő vezérlőpanelhez. **Óvatosan kezelje a felső fedelet, nehogy megsérüljön a kábel.**

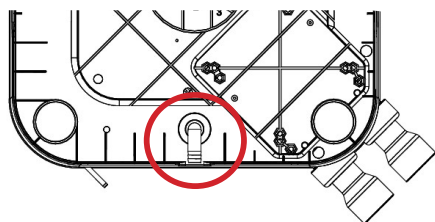


Válassza ki a telepítés helyét és a hidraulikai csatlakozókat, amelyek legmegfelelőbbek az elrendezés szempontjából



**A** Hidraulikus csatlakozások **B** Elpárolgató **C** Felhasználói kezelőfelület

Vezesse el a kondenzvizet. Egy 18-as átmérőjű csövet szereljen fel a készülék alja alá szerelendő hornyolt könyökre.



A telepítési óvintézkedésekről és a hidraulikus csatlakozásokról további részletek az online kézikönyvben találhatóak.

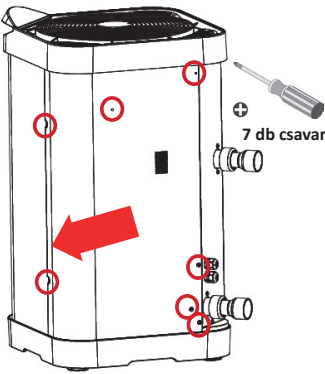


- A készülék belsejében végzett bármely beavatkozás előtt feltétlenül meg kell szakítani a készülék elektromos táplálását (áramütés kockázata). A megtáplálást úgy kell megszüntetni, hogy bármikor ellenőrizni, bármely hozzáférhető pontról ellenőrizni lehessen, hogy a megtáplálás eltávolítva marad. Ha ez nem lehetséges, resetelőrendszerrel kell megoldani a leválasztást.
- Készülékben kizárólag szakképzett és tapasztalt villanyszerelő végezhet kábelezési munkákat, illetve a tápkábel cseréjét.
- Győződjön meg arról, hogy a csavarok csavarjai teljesen meg vannak-e húzva. A csavarok nem megfelelően meghúzott csavarjai esetén a garancia érvényét veszti.
- Ne kösse le az elektromos táplálást a készülék működése közben. Ha az elektromos táplálás megszakad, várjon egy perct, mielőtt visszaállítja az áramellátást.



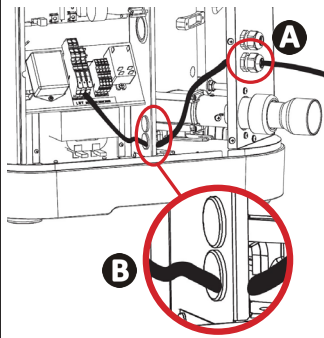
### Csatlakoztassa az egységet az elektromos energia ellátáshoz és a tartozékokhoz

**1** Nyissa ki és távolítsa el.

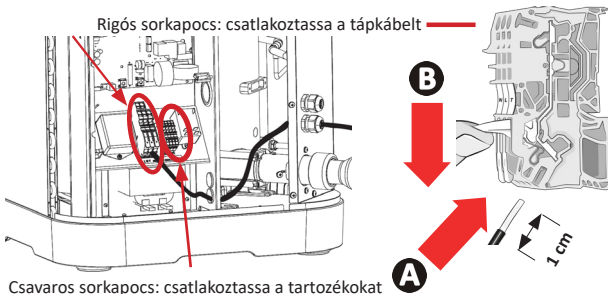


7 db csavar

**2** Vezesse át a tápkábelt.



**3** Húzza be a tápkábelt. A tartozékok csatlakoztatásához: ne vezesse át a kábeleket ugyanazon a tömszelencén keresztül, mint a tápkábelt.



Rígós sorkapocs: csatlakoztassa a tápkábelt

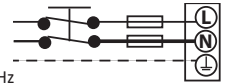
Csavaros sorkapocs: csatlakoztassa a tartozékokat

### Kábelezés et kábelvédelem

Modell	Elektromos táplálás	Max. áramerősség	A kábel átmérője*	Termikus-mágneses védelem
MD4	220-240 V 1 fázis 50 Hz	9,1	<ul style="list-style-type: none"> <li>• Típus H07RN-F</li> <li>• Átmérő: 13-18 mm</li> <li>• Kábel min. keresztmetszete: - tápkábel esetében: 3 x 2,5 mm<sup>2</sup></li> <li>- tartozékok kábele esetében: 2 x 0,75 mm<sup>2</sup></li> </ul>	C vagy D görbe 30 mA
MD5		10,8		
MD6		13,5		

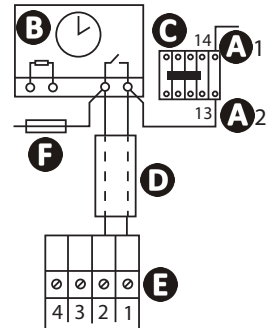
### Elektromos táplálás csatlakozása

ELEKTROMOS  
TÁPLÁLÁS CA  
220-240 V  
Egyfázisú 50 Hz



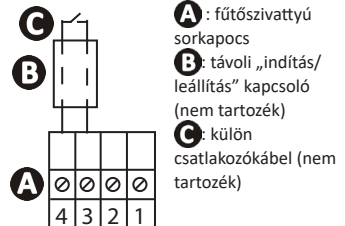
késleltetett biztosíték

### A fűtési prioritás csatlakozása



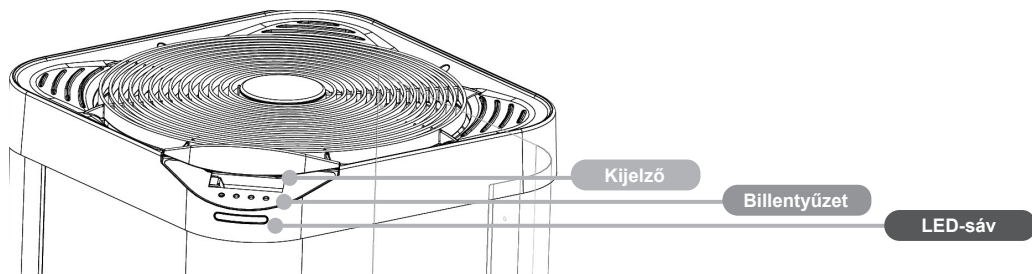
- A1-A2:** a szűrőszivattyú kontaktor tekercsének táplálása
- B:** szűrés időzítő
- C:** kontaktor (tripoláris vagy bipoláris) szűrőszivattyúhoz
- D:** független kábel a „fűtés prioritás” funkcióhoz (nem tartozék)
- E:** fűtőszivattyú sorkapocs
- F:** biztosíték

### Távoli „BEKAPCSOLÁS/ KIKAPCSOLÁS” kapcsolat



- A:** fűtőszivattyú sorkapocs
- B:** távoli „indítás/leállítás” kapcsoló (nem tartozék)
- C:** külön csatlakozókábel (nem tartozék)





## Kijelző



## 3 üzemmód:

- BOOST
- SMART
- SILENCE

Mért vízhőmérséklet

## LED-sáv (alapértelmezettként bekapcsolva)

Kikapcsoláshoz lásd 4. oldalt

## Zöld – „Fűtés”

- A hőszivattyú melegíti a vizet
- A hőmérséklet beállított alapértékét elérte

## Kék – „Hűtés”

- A hőszivattyú hűti a vizet

## Piros – „Hiba”

- Lásd az online kézikönyvet.

## Billentyűzet



- Üzemmódváltás
- Belépés a menübe (nyomja meg és tartsa lenyomva)
- Érvényesítés (megerősítés)



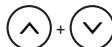
- Navigálás
- Értékek beállítása



- Indítás/leállítás (nyomja meg és tartsa lenyomva)
- Visszatérés

## Jelzőfény

	Fix	Villogó	Nem világít
	Billentyűzet zárolva	-	Billentyűzet feloldva
	Vízáramlás megfelelő	Vízáramlás túlságosan alacsony vagy hiányzik	-
	A kiválasztott üzemmódot jelzi	-	-
	-	A levegő hőmérséklet az üzemi tartományon kívül van	A levegő hőmérséklet az üzemi tartományon belül van
°C °F	Hőmérséklet kiválasztott mértékegysége	-	-
	Wi-Fi csatlakoztatva	Wi-Fi párosítása folyamatban	Wi-Fi nincs csatlakoztatva

**Billentyűzet lezárása/feloldása**

3 másodperc

**Automatikus zárolás meghatározása (alapértelmezettként bekapcsolva)**

Nyomja meg és tartsa lenyomva



„P19”-ig



Megerősítés



ON (indítás) vagy OFF (leállítás)



Megerősítés

**A hőmérsékleti alapérték beállítása**

Az érték beállításához nyomja meg a főképernyőről



Hőmérséklet növelése vagy csökkentése



Megerősítés (automatikus több mint 30 másodperc inaktivitás után)

Ajánlott hőmérséklet: 28 °C  
Max. hőmérséklet: 32 °C**Hűtési üzemmód indítása/leállítása (alapértelmezettként leállítva)**

A hűtési üzemmód bekapcsolását 3 egymást követő kék villanás erősíti meg.



Nyomja meg hosszan, amíg a képernyőn megjelenik a „COOL” felirat



Megerősítés



ON (indítás) vagy OFF (leállítás)




Megerősítés

**Fűtési mód kiválasztása**

A hőszivattyú 3 aktív működési üzemmóddal rendelkezik, melyek segítségével a működési sebességet a szükséges teljesítményhez és a kiválasztott üzemmóddhoz igazítja:

- „BOOST” üzemmód;
- „SMART” üzemmód;
- „SILENCE” üzemmód.

A főképernyőn nyomja meg:  visszajelző megáll a 3 üzemmód egyike előtt**LED-sáv kikapcsolása (alapértelmezettként bekapcsolva)**

Nyomja meg és tartsa lenyomva a főképernyőn: a képernyőn megjelenik a „COOL” felirat



a képernyőn megjelenik a „LED” felirat



Megerősítés



ON (indítás) vagy OFF (leállítás)



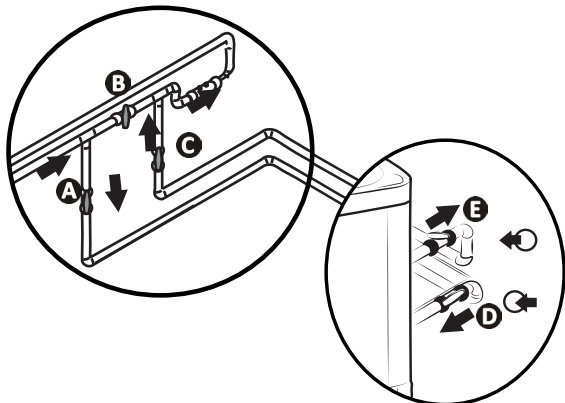
Megerősítés




A LED sáv üzemmódjairól és viselkedéséről további részletek az online kézikönyvben találhatóak.



## Nyissa ki a hidraulikus kört

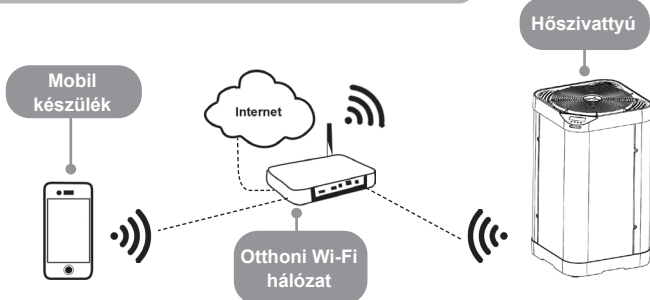


**FIGYELEM:** a by-pass szelep helytelen beállítása a hőszivattyú rendellenes működését idézheti elő.

- Fokozatosan zárja be a B szelepet.
- Nyissa ki teljesen az A, C és D szelepeket. Nyissa ki félig az E szelepet (a kondenzátorában és a szűrőkörben felhalmozódott levegő távozik). Ha nincsenek jelen D és E szelepek, nyissa ki teljesen az A szelepet és zárja le félig a C szelepet.
- Csatlakoztassa az elektromos táplálást a hőszivattyúhoz.
- Ha a hőszivattyú készenlétkben van, nyomja le 3 másodpercre a  gombot; 4 másodpercre az indítási képernyő, majd a kezdőképernyő jelenik meg. Egy 2 perces számláló indul el.
- A kívánt hőmérséklet beállítása.



## Térjen vissza az Fluidra Pool alkalmazáshoz



A hőszivattyút lehet távvezérléssel irányítani okostelefon vagy táblagép segítségével, az iOS és Android rendszerekhez elérhető Fluidra Pool alkalmazással. Az Fluidra Pool alkalmazáshoz való csatlakozás előtt, ügyeljen a következőkre:

- Használjon Wi-Fi kompatibilis okostelefont vagy táblagépet.
- Használjon olyan Wi-Fi-hálózatot, amelynek a jele kellően erős a hőszivattyúhoz való csatlakozás közben: a Wi-Fi-jelnek érzékelhetőnek kell lennie azon a helyen, ahol a készüléket használják. Ellenkező esetben műszaki megoldást kell találni a meglévő jel felerősítésére.
- Maradjon a készülék közelében és készítse elő az otthoni Wi-Fi-hálózat jelszavát.

Töltse le az Fluidra Pool alkalmazást



Nyomja meg és tartsa lenyomva

A képernyőn megjelenik a „bLE” felirat

Nyissa meg az alkalmazást, és kövesse az alkalmazásban leírt lépéseket a hőszivattyú hozzáadásához.



## Téliésítés

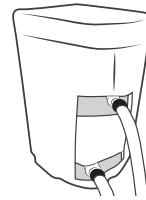


A készülék kikapcsolásához nyomja meg és tartsa lenyomva

Válassza le az elektromos táplálást

El az A és C szelepeket, valamint nyissa meg a D és E szelepeket (ha vannak)

Engedje le a kondenzátorból a vizet a fagyvesztély elkerülése érdekében



Tegye fel a szellőző teelő takarót

- A medence teljes téliésítése esetén (a szűrőrendszer teljes leállítás, a szűrőkör leengedése, vagy akár a medence leürítése): szerelje vissza a két csatlakozót egy fordulattal, hogy elkerülje az idegen testek bejutását a kondenzátorba.
- Csak a hőszivattyú téliésítése esetén (kizárólag a fűtés leállítása, a szűrés továbbra is működik): ne húzza meg a csatlakozókat, hanem helyezzen el 2 záródugót (mellékelve) a kondenzátor vízbemenetein és kimenetein.
- Tegye fel a szellőző teelő takarót (mellékelve) a hőszivattyúra úgy, hogy az erre kialakított nyílásokon átvezeti a hidraulikus csatlakozásokat. Nem szükséges a hidraulikus és elektromos csatlakozásokat lecsatlakoztatni.



- A téliésítés alapvető fontosságú a kondenzátor fagyás miatti törésének elkerülése érdekében (téliésítés nélkül a fagy miatti károokra nem érvényes a garancia).
- Mivel a kicsapódó nedvesség szintén kárt tehet a berendezésben, ne fedje le légmentesen és használja a mellékelt téliésítő dobozt.



## Karbantartás

- Győződjön meg arról, hogy a szellőzőrácsokat nem zárja el idegen test.
- Tisztítsa meg a párologtatót egy puha kefe és tiszta vízszűrő segítségével (csatlakoztassa le a tápkábel).
- Tisztítsa meg a kondenzátum elvezető csövet és távolítsa meg a szennyeződéseket, amelyek eltömíthetik azt.
- Győződjön meg arról, hogy a kapcsolódó szellőzőrácsa tiszta.
- Ne alkalmazzon nagynyomású sugarat. Ne permetezzen esővizet vagy sókat vagy ásványokkal terhelt vizet.
- Tisztítsa meg a berendezés külső burkolatát; ne használjon oldószereket. Használhat speciális tisztítókészletet, mint: a PAC NET, ami külön kapható.




- Ne kösse le az elektromos táplálást a készülék működése közben. Ha az elektromos táplálás megszakad, várjon egy percet, mielőtt visszaállítja a készülék áramellátását.
- Minden karbantartási, üzemzavar-elhárítási vagy javítási művelet előtt javasolt kikapcsolni a modem wifi-kapcsolatát a készülék távoli kezelése kockázatának elkerülése érdekében.
- A készüléken évente legalább egyszer ajánlott általános karbantartást végezni a megfelelő működés biztosítása, a teljesítményszintek fenntartása és az esetleges meghibásodások elkerülése érdekében. Ezeket a műveleteket, a felhasználó költségére, szakember végzi el.







Az R32 hűtőközeggel kapcsolatos biztonsági előírásokkal és a szakképzett szakember által elvégzendő karbantartási feladatokkal kapcsolatos további részleteket az online elérhető kézikönyvben találja.



- Probléma esetén, a vizszinteladóval való kapcsolatfelvétel előtt végezze el ezt a néhány egyszerű ellenőrzést. Ha a probléma továbbra is fennáll, vegye fel a kapcsolatot a vizszinteladójával.
- : A műveleteket kizárólag szakképzett szakember végezheti.

### A készülék viselkedése

A készülék nem kezd azonnal fűteni	<ul style="list-style-type: none"> <li>• Ha a vízáramlás nulla vagy elégtelen, a készülék leáll: ellenőrizze, hogy a víz megfelelően áramlik-e a készülékben, és hogy a hidraulikus bekötések megfelelőek-e.</li> <li>• A készülék leáll, ha a külső hőmérséklet <math>-7^{\circ}\text{C}</math> alá csökken.</li> </ul>
Az eszközből víz távozik	<ul style="list-style-type: none"> <li>• Annak ellenőrzése érdekében, hogy a víz nem a medencevíz körének készüléknél fellépő szivárgásából származik, kapcsolja ki, és működtesse a szűrőszivattyút, hogy biztosítsa a víz áramlását a készülékben. Ha a víz továbbra is elfolyik a kondenzvíz elvezetésein keresztül, vízszivárgás van a készülékben: vegye fel a kapcsolatot a vizszinteladójával.</li> </ul>
Az elpárologtató megfagyott	<ul style="list-style-type: none"> <li>• A készülék hamarosan jégmentesítési ciklusba vált, hogy leolvassza jeget.</li> <li>• Ha a készülék nem tudja jégmentesíteni az elpárologtatót, automatikusan kikapcsol, ez azt jelenti, hogy a külső hőmérséklet túl alacsony (<math>-^{\circ}\text{C}</math> alatti).</li> </ul>
A készülék „füstöl”	<ul style="list-style-type: none"> <li>• Ha a készüléke nincs jégmentesítési ciklusban, akkor ez nem normális jelenség. Azonnal kapcsolja ki és válassza le a hálózatról a készüléke és vegye fel a kapcsolatot a vizszinteladójával.</li> </ul>
A készülék nem működik.	<ul style="list-style-type: none"> <li>•  Ha nincs kijelzés, ellenőrizze a tápfeszültséget és az F1 biztosítékot.</li> <li>• Ha a vízáramlás nulla vagy elégtelen, a készülék leáll: ellenőrizze, hogy a víz megfelelően áramlik-e a készülékben.</li> </ul>
A ventilátor működik, de a kompresszor időről időre leáll, hibaüzenet nélkül	<ul style="list-style-type: none"> <li>• Ha a külső hőmérséklet alacsony, a készülék jégmentesítési ciklusokat végez.</li> <li>• A készülék nem képes elegendő kalóriát begyűjteni, mert az elpárologtatója eltömődött. Tisztítsa meg a teljesítmény helyreállításához.</li> </ul>
A készülék működik, de a víz hőmérséklete nem emelkedik	<ul style="list-style-type: none"> <li>• Nem elég nagy a működési üzemmód teljesítménye (a készülék „SILENCE” vagy „SMART” üzemmódban van). Váltson „BOOST” üzemmódba, és állítsa a szűrést kézi 24/24 értékre, miközben a hőmérséklet emelkedik.</li> <li>• Ellenőrizze, hogy az automatikus feltöltőszелеp nem blokkolódott-e nyitott helyzetben, ami továbbra is hideg vízzel táplálja a medencét és megakadályozza a hőmérséklet emelkedését.</li> <li>• Túlságosan sok a hővesztés, mert a levegő hűvös. Helyezzen hőszigetelő burkolatot a medence fölé.</li> <li>• A készülék nem képes elegendő kalóriát begyűjteni, mert az elpárologtatója eltömődött. Tisztítsa meg a teljesítmény helyreállításához.</li> <li>•  Ellenőrizze, hogy a készülék mérete megfelelő ehhez a medencéhez és a környezetéhez.</li> </ul>
A készülék kioldja a megszakítót	<ul style="list-style-type: none"> <li>•  Ellenőrizze, hogy a megszakító megfelelően van méretezve, és hogy az alkalmazott kábel keresztmetszete megfelelő.</li> <li>•  A hálózati feszültség túl alacsony; lépjen kapcsolatba az áramszolgáltatóval.</li> </ul>



A hibakódok megjelenítéséről, a nyomtatott áramkörön lévő LED-ek viselkedéséről és a kapcsolási rajzról további részletek az online kézikönyvben találhatóak.



Teljesítmények: levegő 28 °C-on / víz 28 °C-on / 80% páratartalom.

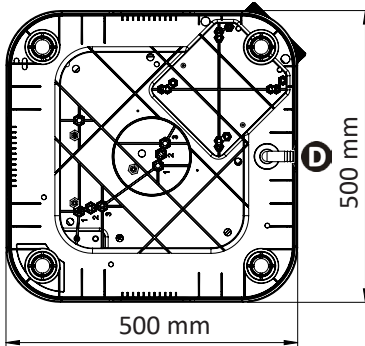
		MD4	MD5	MD6
Kimenőteljesítmény (max-min fordulatszám)	kW	11-3,1	14-4,4	16-4,7
Felhasznált teljesítmény (max – min fordulatszám)	kW	1,9-0,3	2,6-0,5	3,2-0,5
Átlagos CDP (max – min fordulatszám)		5,8-10,3	5,4-8,8	5-9,4

## Műszaki leírás

Működési hőmérséklet	Levegő	„Fűtés” üzemmódban: -7-35°C „Hűtés” üzemmódban: 10-35°C
	Víz	15-32°C
Üzemi nyomás	Hűtőközeg	2-42 bar (0,2-4,2 MPa)
	Víz	0-2 bar (0-0,2 MPa)
Elektromos táplálás		220-240 V ~ / 1 fázis / 50 Hz
Megengedett feszültségadózás		±6% (működés közben)
Hidraulikus csatlakozások		2 PVC csatlakozás, Ø 40 2 PVC szűkítő, Ø 40/50 2 45°-os PVC csatlakozás, Ø 50
Hűtőközeg típusa		R32
Védettségi fokozat		IP24
Frekvenciasávok	GHz	2,400-2,497
Rádiófrekvenciás átviteli teljesítmény	dBm	+19,5
Telepítés helye		Beltéri/kültéri

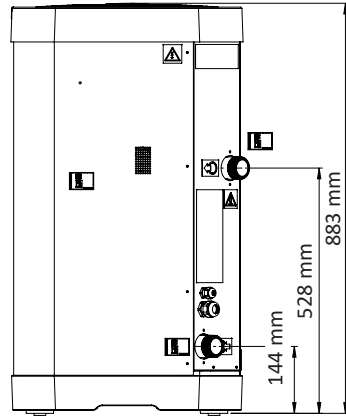
## Műszaki leírás

		MD4	MD5	MD6
Névleges elektromos áramigény	A	8	10,1	12,3
Maximális elektromos áramigény	A	9,0	12,3	15,9
Kábel minimális átmérője*	mm <sup>2</sup>	3x2,5	3x2,5	3x2,5
Hangteljesítmény (max–min)	dB(A)	70-64	71-63	73-65
Hangnyomás 10 m-en (max–min)	dB(A)	39-33	40-32	42-34
Javasolt vízáramlás	m <sup>3</sup> /h	3,4	4,2	5
Hűtőközeg terhelése	kg	0,7	0,85	0,95
	Tonna CO2 Egyenérték	0,47	0,57	0,64
Hozzávetőleges súly	kg	41	46	47



500 mm

Fének



Háttra

<b>A</b>	Technikai hozzáférés fedele
<b>B</b>	Medencevíz bemenet
<b>C</b>	Medencevíz kimenet
<b>D</b>	Kondenzvíz leürítése

## 9 Kapcsolási rajzok jelzései



### 4.4 Kapcsolási rajzok

Szimbólum	Leírás	Szimbólum	Leírás
A1	Elektromos szabályozókártya	FS	Vízáramlás-kapcsoló
A2	Kijelzőtábla (IHM)	V1 - V2	Varisztor
A4	Kompresszor elektronikus kártyája	G/Y	Zöld/Sárga
CM	Kompresszor	BLK	Fekete
EEV	Elektronikus tágulási szelep	BLU	Kék
F1 - F2	Biztosíték	BRN	Barna
FAN	Ventilátormotor	ORG	Narancssárga
HP	Magas nyomás kapcsoló	PNK	Rózsaszín
ST1	Vízbemenet hőmérséklet-érzékelő	RED	Piros
ST2	Környezeti levegő hőmérséklet-érzékelő	GRY	Szürke
ST3	Tekercs hőmérséklet-érzékelő	BLK	Fekete
ST4	Folyadékvezeték hőmérséklet-érzékelő	VLT	Lila
ST5	Leeresztés hőmérséklet érzékelő	WHT	Fehér
4WV	4-utas szelep	YEL	Sárga



Az elektromos doboz hátoldalán található kapcsolási rajz címkéjének elolvasásához tekintse meg ezt a táblázatot. A kapcsolási rajz az online kézikönyvben szintén megtalálható.



## OSTRZEŻENIA



Niniejsza instrukcja zawiera jedynie podstawowe informacje dotyczące środków bezpieczeństwa, których należy przestrzegać podczas instalacji, konserwacji i uruchamiania. Pełną instrukcję można przeczytać i pobrać jako plik PDF ze strony internetowej: [www.zodiac.com](http://www.zodiac.com). Wszystkie prace montażowe, instalacyjne i konserwacyjne muszą być wykonywane przez wykwalifikowany i upoważniony personel, który dokładnie zapoznał się z niniejszą instrukcją. Zastrzegamy sobie prawo do całkowitej lub częściowej zmiany właściwości naszych produktów lub treści niniejszego dokumentu bez wcześniejszego zawiadomienia.



### ! OSTRZEŻENIA OGÓLNE

- Urządzenie jest przeznaczone do użytku w basenach i SPA w ściśle określonym celu – nie należy go używać do celów innych niż te, do których zostało zaprojektowane.
- Niezastosowanie się do ostrzeżeń może spowodować poważne uszkodzenie wyposażenia basenu lub poważne obrażenia, a nawet śmierć.
- To urządzenie nie jest przeznaczone do użytku przez osoby (w tym dzieci) o ograniczonych zdolnościach fizycznych, sensorycznych lub umysłowych lub nieposiadające doświadczenia i wiedzy, chyba że będą one nadzorowane lub zostaną poinstruowane w zakresie korzystania z urządzenia przez osobę odpowiedzialną za ich bezpieczeństwo. Należy nadzorować dzieci, aby upewnić się, że nie bawią się urządzeniem.
- To urządzenie może być używane przez dzieci w wieku powyżej 8 lat oraz przez osoby o ograniczonych zdolnościach fizycznych, sensorycznych lub umysłowych, a także osoby nieposiadające doświadczenia i wiedzy, jeśli są one nadzorowane lub zostały poinstruowane w zakresie bezpiecznego użytkowania urządzenia i rozumieją związane z tym ryzyko. Dzieci nie powinny bawić się urządzeniem. Wszelkie czynności dotyczące czyszczenia i konserwacji przeprowadzane przez użytkownika nie mogą być wykonywane przez dzieci bez nadzoru.
- Urządzenie należy zainstalować zgodnie z instrukcjami producenta oraz obowiązującymi przepisami lokalnymi i krajowymi.
- Nasze produkty mogą być montowane i instalowane wyłącznie w basenach zgodnych z normami CEI/HD 60364-7-702 i obowiązującymi przepisami krajowymi. Instalacja musi być zgodna z normą CEI/HD 60364-7-702 oraz obowiązującymi przepisami krajowymi dotyczącymi basenów. Aby uzyskać więcej informacji, należy skontaktować się z lokalnym sprzedawcą.

### ! OSTRZEŻENIA DOTYCZĄCE URZĄDZEŃ ELEKTRYCZNYCH

- Zasilanie elektryczne urządzenia musi być chronione przez specjalny wyłącznik różnicowoprądowy o wartości 30 mA, zgodnie z przepisami obowiązującymi w kraju, w którym urządzenie jest zainstalowane.
- Urządzenie nie zawiera wyłącznika elektrycznego do odłączania. Należy dodać urządzenie odłączające zasilanie z okablowaniem przyłączeniowym co najmniej kategorii OVC III, zgodnie z obowiązującymi przepisami krajowymi.
- Jeśli kabel zasilający jest uszkodzony, może zostać wymieniony na nowy tylko przez producenta, jego autoryzowanego przedstawiciela lub warsztat naprawczy.

### ! OSTRZEŻENIA DOTYCZĄCE URZĄDZEŃ ZAWIERAJĄCYCH CZYNNIK CHŁODNICZY R32



- Urządzenie zawiera czynnik chłodniczy R32, który jest czynnikiem chłodniczym klasy A2L, uważanym za potencjalnie łatwopalny.
- Czynnik chłodniczy R32 nie może być odprowadzany do otoczenia. Jest to fluorowany gaz cieplarniany, objęty protokołem z Kioto, o globalnym potencjale grzewczym (GWP) wynoszącym 675 (rozporządzenie UE 517/2014).
- Aby zapewnić zgodność z obowiązującymi normami i przepisami dotyczącymi środowiska oraz instalacji, a w szczególności z francuskim rozporządzeniem nr 2015-1790 i/lub rozporządzeniem UE 517/2014, szczelność obwodu chłodniczego należy sprawdzić w chwili oddania urządzenia do eksploatacji, a następnie co najmniej raz w roku. Czynność tę musi przeprowadzić specjalista certyfikowany w dziedzinie testowania urządzeń chłodniczych.
- Urządzenie należy przechowywać w pomieszczeniu niezawierającym żadnych źródeł isker (na przykład otwartego ognia, działającego urządzenia gazowego lub grzejnika elektrycznego).
- Więcej informacji można znaleźć w rozszerzonej wersji instrukcji, we wskazówkach bezpieczeństwa dotyczących urządzeń zawierających gaz R32, dotyczących takich tematów, jak kontrola obszaru, procedura pracy, ogólny obszar pracy, kontrola obecności czynnika chłodniczego, obecność gaśnicy, brak źródła zapłonu, wentylacja pomieszczenia, kontrola urządzeń chłodniczych, kontrola elementów elektrycznych, naprawa elementów izolowanych, naprawa elementów samoistnych, okablowanie, wykrywanie łatwopalnego czynnika chłodniczego, demontaż i opróżnianie, procedury napełniania i demontaż.

### ! INSTALACJA I KONSERWACJA

- Tylko osoba wykwalifikowana w zakresie odpowiednich dziedzin techniki (elektryczność, hydraulika lub chłodzenie) jest upoważniona do przeprowadzania prac konserwacyjnych lub napraw urządzenia
- Urządzenia nie można instalować w pobliżu materiałów palnych lub otworu wlotowego powietrza z sąsiedniego budynku.
- Podczas konserwacji urządzenia należy sprawdzić skład i stan czynnika przenoszącego ciepło, a także czy nie ma żadnych śladów płynu chłodzącego.
- Podczas corocznego testu szczelności urządzenia zgodnie z obowiązującymi przepisami należy sprawdzić, czy przełączniki wysokiego i niskiego ciśnienia są prawidłowo podłączone do obwodu chłodniczego i czy w przypadku wyzwolenia odcinają obwód elektryczny.
- Podczas prac konserwacyjnych należy upewnić się, że wokół elementów chłodniczych nie ma żadnych śladów korozji ani oleju.
- Przed rozpoczęciem prac przy układzie chłodzenia należy wyłączyć urządzenie i odczekać kilka minut przed zamontowaniem czujników temperatury i ciśnienia. Niektóre elementy, takie jak sprężarka i orurowanie, mogą osiągać wysoką temperaturę powyżej 100°C i wysokie ciśnienie, co stanowi ryzyko odniesienia poważnych oparzeń.





## OSTRZEŻENIA



### SPECYFIKACJE CZYNNIKA CHŁODNICZEGO

#### Kontrola obszaru

- Urządzenie zawiera czynnik chłodniczy R32, który jest czynnikiem chłodniczym klasy A2L, uważanym za potencjalnie łatwopalny.
- Czynnik chłodniczy R32 nie może być odprowadzany do otoczenia. Jest to fluorowany gaz cieplarniany, objęty protokołem z Kioto, o globalnym potencjale grzewczym (GWP) wynoszącym 675 (rozporządzenie UE 517/2014).
- Aby zapewnić zgodność z obowiązującymi normami i przepisami dotyczącymi środowiska oraz instalacji, a w szczególności z francuskim rozporządzeniem nr 2015-1790 i/lub rozporządzeniem UE 517/2014, szczelność obwodu chłodniczego należy sprawdzić w chwili oddania urządzenia do eksploatacji, a następnie co najmniej raz w roku. Czynność tę musi przeprowadzić specjalista certyfikowany w dziedzinie testowania urządzeń chłodniczych.
- Urządzenie należy przechowywać w pomieszczeniu niezawierającym żadnych źródeł iskier (na przykład otwartego ognia, działającego urządzenia gazowego lub grzejnika elektrycznego).
- Więcej informacji można znaleźć w rozszerzonej wersji instrukcji, we wskazówkach bezpieczeństwa dotyczących urządzeń zawierających gaz R32, dotyczących takich tematów, jak kontrola obszaru, procedura pracy, ogólny obszar pracy, kontrola obecności czynnika chłodniczego, obecność gaśnicy, brak źródła zapłonu, wentylacja pomieszczenia, kontrola urządzeń chłodniczych, kontrola elementów elektrycznych, naprawa elementów izolowanych, naprawa elementów samoistnych, okablowanie, wykrywanie łatwopalnego czynnika chłodniczego, demontaż i opróżnianie, procedury napełniania i demontaż.

#### Procedura robocza

- Prace należy wykonywać zgodnie z kontrolowaną procedurą w celu zmniejszenia ryzyka obecności łatwopalnych gazów lub oparów podczas wykonywania prac.

#### Ogólny obszar roboczy

- Pracownicy działu konserwacji i inne osoby pracujące w obszarze roboczym muszą zostać poinformowane o rodzaju prowadzonych prac. Należy unikać pracy w przestrzeniach zamkniętych.

#### Kontrola obecności czynnika chłodniczego

- Obszar należy sprawdzać przed i podczas pracy za pomocą odpowiedniego detektora czynnika chłodniczego, aby upewnić się, że technik zostanie poinformowany o atmosferze potencjalnie toksycznej lub łatwopalnej. Należy upewnić się, że sprzęt używany do wykrywania wycieków jest odpowiedni dla wszystkich stosowanych czynników chłodniczych, co oznacza, że nie może powodować iskrzenia, jest odpowiednio izolowany lub całkowicie bezpieczny.

#### Kontrola obecności gaśnicy

- Jeżeli przy sprzęcie chłodniczym lub jakiegokolwiek części z nim związanej mają być wykonywane prace wymagające wysokiej temperatury, odpowiedni sprzęt gaśniczy musi być łatwo dostępny. W pobliżu miejsca załadunku musi znajdować się gaśnica proszkowa lub CO<sub>2</sub>.

#### Brak źródła zapłonu

- Osobom wykonującym przy instalacji chłodniczej prace, które wymagają odsłonięcia przewodów rurowych, zabrania się używania źródeł zapłonu w sposób mogący spowodować zagrożenie pożarem lub wybuchem. Wszystkie możliwe źródła zapłonu, w tym papierosy, powinny znajdować się wystarczająco daleko od miejsca instalacji, prac naprawczych, dotyczących wymiany lub usuwania elementów, jeśli czynnik chłodniczy może ewentualnie zostać uwolniony do otaczającej przestrzeni. Przed rozpoczęciem prac należy sprawdzić obszar wokół urządzenia, aby upewnić się, że nie ma żadnego zagrożenia zapłonu. Należy wywiesić tabliczki „Zakaz palenia”.

#### Wentylacja obszaru

- Przed uzyskaniem dostępu do urządzenia w celu przeprowadzenia jakichkolwiek prac konserwacyjnych należy upewnić się, że obszar jest otwarty i prawidłowo wentylowany. Podczas konserwacji urządzenia należy zapewnić odpowiednią wentylację, aby umożliwić bezpieczne rozproszenie czynnika chłodniczego, który może zostać przypadkowo uwolniony do atmosfery.



### INFORMACJE DOTYCZĄCE RECYKLINGU

- Skontaktuj się ze sprzedawcą, aby uzyskać informacje dotyczące recyklingu.

### INFORMACJE DOTYCZĄCE PRODUKTÓW WYPOSAŻONYCH W FUNKCJE ŁĄCZNOŚCI (zgodnie z dyrektywą RED)

#### Deklaracja zgodności

Firma Zodiac niniejszym oświadcza, że urządzenie radiowe typu Z350iQ jest zgodne z dyrektywą 2014/53/UE. Pełny tekst europejskiej Deklaracji Zgodności jest dostępny pod następującym adresem: <https://www.zodiac-poolcare.com/>.

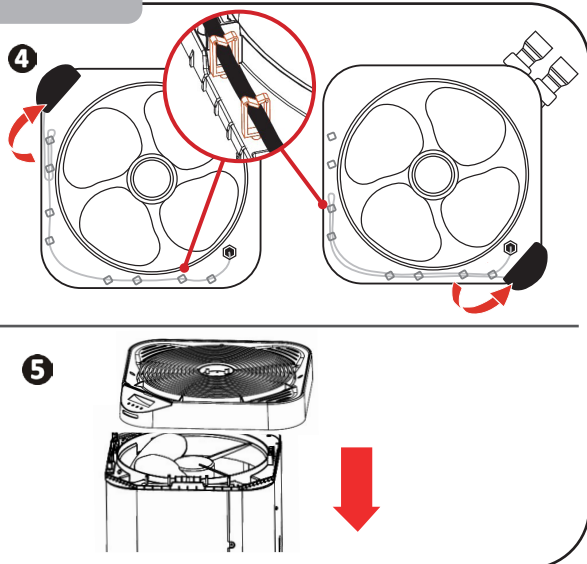
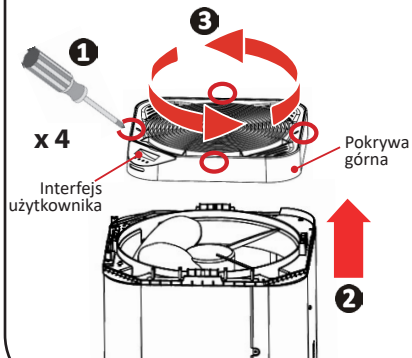
# 1 Instalacja urządzenia



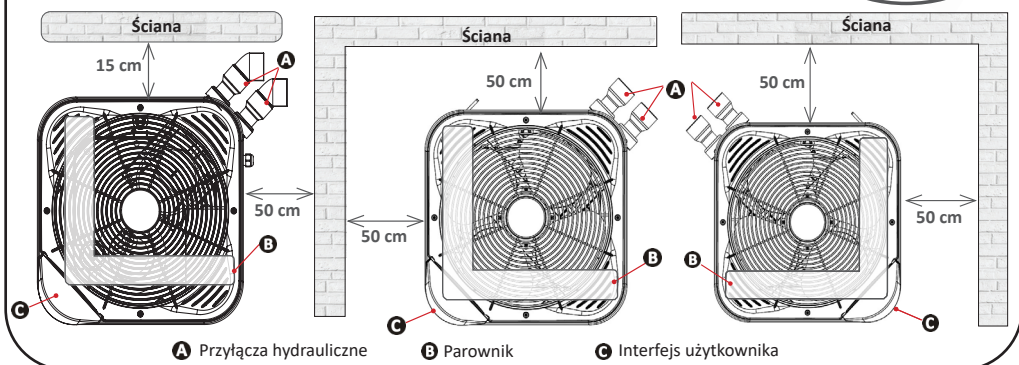
1 Instalacja

Obróć część górną i interfejs użytkownika w razie potrzeby

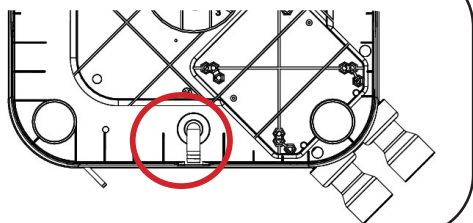
**! UWAGA:** płytka wyświetlacza (pod ekranem wyświetlacza) jest połączona kablem z płytą sterowania wewnątrz urządzenia. Z górną pokrywą należy obchodzić się ostrożnie, aby uniknąć uszkodzenia tego kabla.



Wybierz lokalizację i złącza hydrauliczne, które najlepiej pasują do konfiguracji instalacji



**Odprowadzanie kondensatu.** Należy podłączyć rurkę o średnicy Ø18 do kolanka żłobkowanego pod podstawą urządzenia.



Więcej informacji na temat środków ostrożności podczas instalacji i przyłączy hydraulicznych można znaleźć w instrukcji dostępnej online.

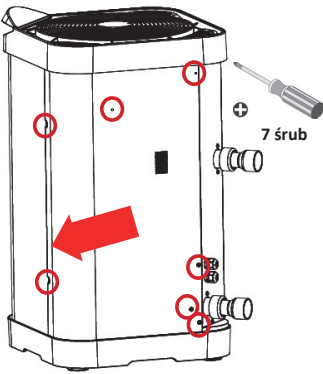


- Przed rozpoczęciem jakichkolwiek prac wewnątrz urządzenia należy odciąć zasilanie (ryzyko porażenia prądem). Odcięcie zasilania elektrycznego należy wykonać w taki sposób, aby użytkownik mógł zawsze sprawdzić z dowolnego miejsca, do którego ma dostęp, czy zasilanie elektryczne pozostaje odłączone. Jeśli nie jest to możliwe, należy zapewnić rozłączenie z użyciem systemu blokującego.
- Tylko wykwalifikowany i doświadczony technik jest upoważniony do wykonywania prac dotyczących podłączenia okablowania do urządzenia lub wymiany kabla zasilającego.
- Upewnij się, że śruby zacisków są dokręcone prawidłowo (ryzyko pożaru). Niewłaściwie dokręcone śruby zacisków powodują utratę gwarancji.
- Nie odłączaj zasilania podczas pracy urządzenia. Jeśli zasilanie zostanie przerwane, należy odczekać jedną minutę przed ponownym włączeniem zasilania.

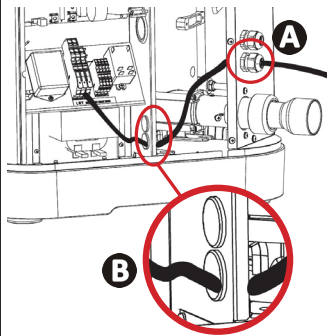


Podłącz urządzenie do zasilania elektrycznego i akcesoriów

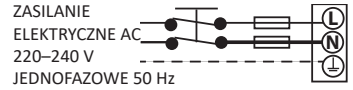
1 Otwórz i wyjmij.



2 Poprowadź kabel zasilający.

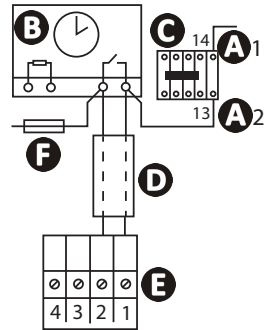


Podłączenie zasilanie elektrycznego



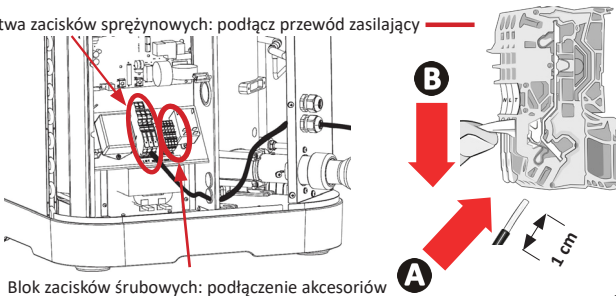
bezpiecznik z opóźnieniem

Podłączenie priorytetu grzania



3 Podłącz kabel zasilający. Aby podłączyć akcesoria: nie należy prowadzić kabli przez ten sam dławik kablowy, przez który przeprowadzony jest przewód zasilający.

Listwa zacisków sprężynnych: podłącz przewód zasilający



Blok zacisków śrubowych: podłączenie akcesoriów

**A1-A2:** zasilanie cewki stycznika pompy filtracyjnej

**B:** timer filtrowania

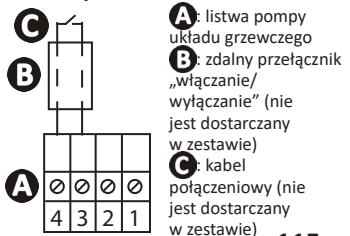
**C:** stycznik (trójbiegunowy lub dwubiegunowy) pompy filtracyjnej

**D:** niezależny kabel dla funkcji „priorytet grzania” (nie jest dostarczany w zestawie)

**E:** listwa pompy układu grzewczego

**F:** bezpiecznik

Podłączenie zdalnego przełącznika „WŁĄCZANIE/ WYŁĄCZANIE”



**A:** listwa pompy układu grzewczego

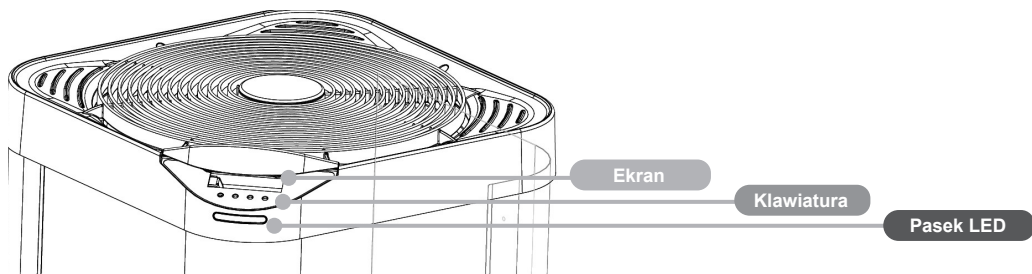
**B:** zdalny przełącznik „włączanie/ wyłączenie” (nie jest dostarczany w zestawie)

**C:** kabel połączeniowy (nie jest dostarczany w zestawie)

Okablowanie i ochrona kabli

Model	Zasilanie elektryczne	Natężenie maks.	Średnica kabla*	Magnetyczna ochrona termiczna
MD4	220-240 V 1 faza 50 Hz	9,1	<ul style="list-style-type: none"> <li>• Typ H07RN-F</li> <li>• Średnica: od 13 do 18 mm</li> <li>• Min. przekrój kabla:                             <ul style="list-style-type: none"> <li>- dla kabla zasilającego: 3x2,5 mm<sup>2</sup></li> <li>- dla okablowania akcesoriów: 2x0,75 mm<sup>2</sup></li> </ul> </li> </ul>	Krzywa C lub D 30 mA
MD5		10,8		
MD6		13,5		

\*Przekrój kabla odpowiedni dla maksymalnej długości 20 metrów.



### Ekran



#### 3 tryby:

- BOOST
- SMART
- SILENCE

Zmierzona temperatura wody

### Pasek LED (domyślnie świeci się) Aby go wyłączyć, patrz strona 4

- Zielony – „Ogrzewanie”
- Pompa ciepła podgrzewa wodę
  - Osiągnięto nastawę temperatury

- Niebieski – „Chłodzenie”
- Pompa ciepła chłodzi wodę

- Czerwony – „Błąd”
- Zobacz instrukcję online

### Klawiatura



- Zmiana trybu
- Dostęp do menu (naciśnij i przytrzymaj)
- Zatwierdzenie (potwierdź)



- Nawigacja
- Ustawianie wartości



- WŁ./WYŁ. (naciśnij i przytrzymaj)
- Powrót

### Lampki kontrolne

	Stała	Miganie	Nie świeci się
	Klawiatura zablokowana	-	Klawiatura odblokowana
	Przepływ wody prawidłowy	Przepływ wody zbyt niski lub brak przepływu	-
	Wskazuje wybrany tryb	-	-
	-	Temperatura powietrza poza zakresem roboczym	Temperatura powietrza w zakresie roboczym
°C °F	Wybrana jednostka temperatury	-	-
	Wi-Fi podłączone	Trwa parowanie Wi-Fi	Wi-Fi niepodłączone



### Blokowanie/odblokowanie klawiatury



3 sekundy



### Wybór blokowania automatycznego (domyślnie włączone)



Naciśnij i przytrzymaj



Do „P19”



Potwierdź



Wł. (włączone) lub WYł. (wyłączone)



Potwierdź



### Ustawienie nastawy temperatury



Naciśnij na ekranie głównym, aby dostosować wartość



Zwiększanie lub zmniejszanie temperatury



Potwierdzenie (automatyczne w przypadku więcej niż 30 sekund bezczynności)

Zalecana temperatura: 28°C  
Temperatura maks.: 32°C



### Włączenie/wyłączenie trybu chłodzenia (domyślnie wyłączony)

Włączenie trybu chłodzenia potwierdzają 3 kolejne mignięcia na niebiesko.



Naciśnij i przytrzymaj, aż na ekranie pojawi się komunikat „COOL”



Potwierdź



Wł. (włączone) lub WYł. (wyłączone)



Potwierdź



### Wybór trybów ogrzewania

Pompa ciepła jest wyposażona w 3 aktywne tryby pracy umożliwiające dostosowanie prędkości jej pracy do wymaganej mocy i wybranego trybu:

- tryb „BOOST”
- tryb „SMART”
- tryb „SILENCE”



Naciśnij na ekranie głównym: wskaźnik ► zatrzymuje się przed jednym z 3 trybów



### Wyłączenie paska LED (domyślnie świeci się)



Naciśnij i przytrzymaj na ekranie głównym: ekran wyświetli „LED”



Ekran wyświetli „LED”



Potwierdź



Wł. (włączone) lub WYł. (wyłączone)



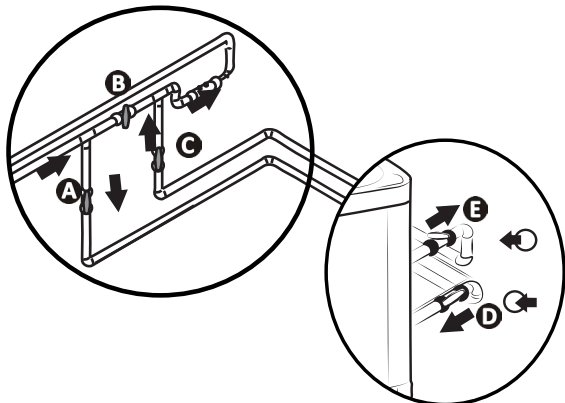
Potwierdź




Więcej informacji na temat trybów pracy i zachowania paska LED można znaleźć w instrukcji dostępnej online.



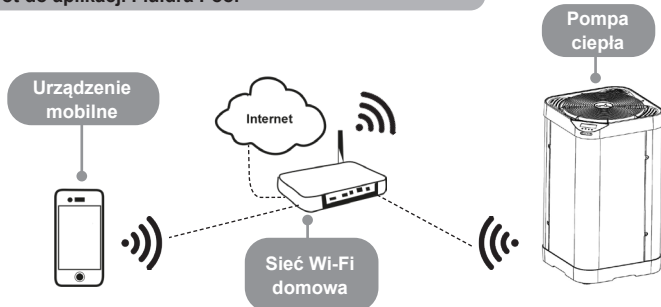
## Otwieranie obwodu hydraulicznego



**UWAGA:** nieodpowiednie ustawienie obejścia może prowadzić do nieprawidłowego działania pompy ciepła.

- Zamknij stopniowo zawór B.
- Otwórz całkowicie zawory A, C i D. Otwórz zawór E do połowy (powietrze zgromadzone w skraplaczu i w obwodzie filtracyjnym zostanie usunięte). Jeśli nie ma zaworów D i E, otwórz całkowicie zawór A i zamknij zawór C do połowy.
- Wykonaj podłączenie zasilania elektrycznego pompy ciepła.
- Kiedy pompa ciepła znajduje się w stanie czuwania, naciśnij przycisk  i przytrzymaj go przez 3 sekundy: ekran powitalny zostanie wyświetlony przez 4 sekundy a następnie pojawi się ekran główny. Rozpocznie się 2-minutowe opóźnienie.
- Ustaw żądaną temperaturę.

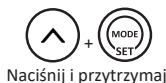
## Powrót do aplikacji Fluidra Pool



Pompa ciepła może być sterowana zdalnie za pomocą smartfona lub tabletu, za pośrednictwem aplikacji Fluidra Pool dostępnej na systemy operacyjne iOS i Android. Przed rozpoczęciem połączenia z aplikacją Fluidra Pool upewnij się, że:

- używasz smartfona lub tabletu kompatybilnego z funkcją Wi-Fi;
- podczas nawiązywania połączenia z pompą ciepła używasz sieci Wi-Fi z wystarczająco sygnałem: sygnał Wi-Fi musi być możliwy do odebrania w miejscu, w którym urządzenie jest używane. Jeśli tak nie jest, należy zapewnić odpowiednie rozwiązanie techniczne w celu wzmocnienia istniejącego sygnału;
- pozostajesz w pobliżu urządzenia i masz przygotowane hasło do domowej sieci Wi-Fi.

Pobierz aplikację Fluidra Pool



Ekran wyświetli „bLE”

Otwórz aplikację i wykonaj czynności opisane w aplikacji, aby dodać pompę ciepła.



## Zimowanie

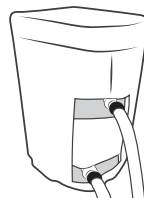


Naciśnij i przytrzymaj, aby wyłączyć urządzenie

Odłącz zasilanie elektryczne

Zamknij zawory A i C oraz otwórz zawory D i E (jeśli dotyczy)

Odprowadź wodę ze skraplacza, aby uniknąć ryzyka zamarznięcia



Założ perforowany mikropokrowiec do zimowania

- W przypadku przygotowania do zimowania całości basenu (całkowite wyłączenie systemu filtracji, opróżnienie obwodu filtracji lub nawet opróżnienie basenu): załóż ponownie oba złącza, przekręcając o jeden obrót, aby uniknąć przedostawania się ciał obcych do skraplacza.
- W przypadku zimowania tylko pompy ciepła (tylko wyłączenie ogrzewania, filtrowanie nadal działa): nie dokręcaj złączy, ale załóż 2 zatyczki (dostarczone w zestawie) na otwory wlotowe i wylotowe wody skraplacza.
- Załóż perforowany mikropokrowiec do zimowania (dostarczany w zestawie) na pompę ciepła, przeprowadzając połączenia hydrauliczne przez otwór przeznaczony do tego celu. Nie ma potrzeby rozłączania przyłączy hydraulicznych i elektrycznych.



- Zimowanie jest niezbędne, aby uniknąć pęknięcia skraplacza w wyniku zamarznięcia (uszkodzenie w wyniku zamrożenia bez przygotowania do zimowania nie jest objęte gwarancją).
- Aby uniknąć uszkodzenia urządzenia przez kondensację, nie należy go szczelnie przykrywać, ale wykorzystać dostarczone w zestawie przykrycie na okres zimowania.



## Konserwacja

- Upewnij się, że kratka wentylacyjna nie jest zablokowana przez ciała obce.
- Wyczyść parownik miękką szcztotką i strumieniem czystej wody (po odłączeniu kabla zasilającego).
- Oczyszcz przewód odprowadzania kondensatu, aby usunąć wszelkie zanieczyszczenia, które mogłyby go zatkać.
- Upewnij się, że kratka wentylacyjna skrzynki rozdzielczej jest czysta.
- Nie używaj myjki wysokociśnieniowej. Nie spryskuj wodą deszczową, słoń lub o dużej zawartości składników mineralnych.
- Wyczyść zewnętrzną część urządzenia, nie używając produktów na bazie rozpuszczalników. Możesz użyć specjalnego zestawu do czyszczenia PAC NET, dostępnego jako akcesorium.




- Nie odłączaj zasilania podczas pracy urządzenia. Jeśli zasilanie zostanie przerwane, należy odczekać minutę przed ponownym włączeniem zasilania urządzenia.
- Przed przystąpieniem do jakichkolwiek czynności konserwacyjnych, dotyczących rozwiązywania problemów lub napraw, zaleca się dezaktywację połączenia Wi-Fi modemu, aby uniknąć ryzyka zdalnego sterowania urządzeniem.
- Zaleca się, aby konserwacja ogólna urządzenia była przeprowadzana co najmniej raz w roku, aby zapewnić jego prawidłowe działanie, utrzymać poziom wydajności i ewentualnie uniknąć niektórych usterek. Czynności te są wykonywane przez technika na koszt użytkownika.



Szczegółowe informacje na temat środków ostrożności związanych z czynnikiem chłodniczym R32 oraz czynności konserwacyjnych, które powinny być wykonywane przez wykwalifikowane technika, można znaleźć w instrukcji online.



- W razie wystąpienia problemu przed skontaktowaniem się ze sprzedawcą wykonaj te kilka prostych czynności kontrolnych. Jeżeli problem nie zostanie rozwiązany, skontaktuj się ze sprzedawcą.
- : czynności powinny być wykonywane wyłącznie przez wykwalifikowanego technika.

### Zachowanie urządzenia

Urządzenie nie rozpoczyna grzania natychmiast	<ul style="list-style-type: none"> <li>• Gdy przepływ wody jest zerowy lub niewystarczający, urządzenie zatrzymuje się: sprawdź, czy woda prawidłowo krąży w urządzeniu i czy przyłącza hydrauliczne zostały wykonane prawidłowo.</li> <li>• Urządzenie zatrzymuje się, gdy temperatura zewnętrzna spadnie poniżej -7°C.</li> </ul>
Urządzenie wyrzuca wodę	<ul style="list-style-type: none"> <li>• Aby sprawdzić, czy woda nie pochodzi z wycieku z obwodu basenowego urządzenia, należy wyłączyć urządzenie i uruchomić pompę filtracyjną, aby woda zaczęła krążyć w urządzeniu. Jeśli woda nadal przepływa przez przewody odprowadzania kondensatu, oznacza to, że w urządzeniu występuje wyciek wody – skontaktuj się ze sprzedawcą.</li> </ul>
Parownik jest zamrożony	<ul style="list-style-type: none"> <li>• Urządzenie przejdzie wkrótce do cyklu odszraniania, aby stopić lód.</li> <li>• Jeśli urządzenie nie może rozmrozić parownika, zatrzyma się automatycznie – oznacza to, że temperatura zewnętrzna jest zbyt niska (poniżej - °C).</li> </ul>
Urządzenie „dymi”	<ul style="list-style-type: none"> <li>• Jeśli urządzenie nie znajduje się w cyklu odszraniania, nie jest to normalne. Natychmiast wyłącz urządzenie i odłącz je od zasilania, a następnie skontaktuj się ze sprzedawcą.</li> </ul>
Urządzenie nie działa	<ul style="list-style-type: none"> <li>•  Jeśli żadne informacje nie są pokazywane na wyświetlaczu, sprawdź napięcie zasilania i bezpiecznik F1.</li> <li>• Gdy przepływ wody jest zerowy lub niewystarczający, urządzenie zatrzymuje się: sprawdź, czy woda prawidłowo krąży w urządzeniu.</li> </ul>
Wentylator działa ale sprężarka zatrzymuje się od czasu do czasu bez komunikatu o błędzie	<ul style="list-style-type: none"> <li>• Jeśli temperatura zewnętrzna jest niska, urządzenie wykonuje cykle odszraniania.</li> <li>• Urządzenie nie przechwytuje wystarczającej ilości kalorii, ponieważ jego parownik jest zabrudzony. Wyczyść go, aby przywrócić odpowiednie parametry działania.</li> </ul>
Urządzenie działa, ale temperatura wody nie wzrasta	<ul style="list-style-type: none"> <li>• Tryb pracy nie jest wystarczająco wydajny (urządzenie w trybie „SILENCE” lub „SMART”). Przełącz urządzenie do trybu „BOOST” i ustaw filtrację na ręczną 24/24 na cały czas, kiedy temperatura rośnie.</li> <li>• Sprawdź, czy automatyczny zawór napełniający nie jest zablokowany w pozycji otwartej – w takim przypadku zimna woda jest nadal doprowadzana do basenu i zapobiega wzrostowi temperatury.</li> <li>• Utrata ciepła jest zbyt duża, ponieważ temperatura powietrza jest niska. Załóż pokrywę izolowaną termicznie nad basenem.</li> <li>• Urządzenie nie przechwytuje wystarczającej ilości kalorii, ponieważ jego parownik jest zabrudzony. Wyczyść go, aby przywrócić odpowiednie parametry działania.</li> <li>•  Sprawdź, czy rozmiar urządzenia jest prawidłowy dla tego basenu i jego otoczenia.</li> </ul>
Urządzenie powoduje zadziałanie wyłącznika automatycznego	<ul style="list-style-type: none"> <li>•  Sprawdź, czy wyłącznik automatyczny jest odpowiednio zwymiarowany i czy przekrój wykorzystywanego kabla jest prawidłowy.</li> <li>•  Napięcie zasilania jest zbyt niskie; skontaktuj się z dostawcą energii elektrycznej.</li> </ul>



Szczegółowe informacje na temat wyświetlania kodów błędów, zachowania diod LED na karcie płytki drukowanej i schematów połączeń można znaleźć w instrukcji online.





Parametry wydajnościowe: temperatura powietrza 28°C / temperatura wody 28°C / wilgotność 80%

		MD4	MD5	MD6
Moc wyjściowa (prędkość maks.–min.)	kW	11–3,1	14–4,4	16–4,7
Pobór mocy (prędkość maks.–min.)	kW	1,9–0,3	2,6–0,5	3,2–0,5
Średni współczynnik CdP (prędkość maks.–min.)		5,8–10,3	5,4–8,8	5–9,4

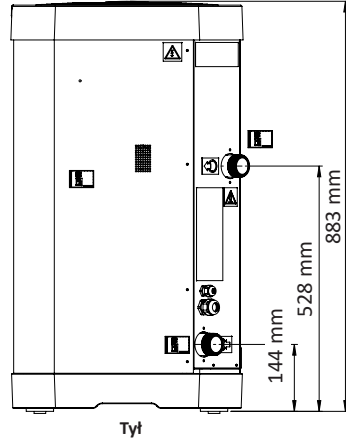
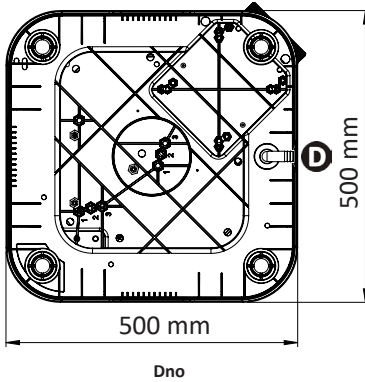
### Specyfikacje techniczne

Temperatura robocza	Powietrze	W trybie „ogrzewanie”: od -7 do 35°C W trybie „chłodzenia”: od 10 do 35°C
	Woda	od 15 do 32°C
Ciśnienie robocze	Czynnik chłodniczy	od 2 do 42 bar (od 0,2 do 4,2 MPa)
	Woda	od 0 do 2 bar (od 0 do 0,2 MPa)
Zasilanie elektryczne		220–240 V ~ / jednofazowe / 50 Hz
Dopuszczalna zmiana napięcia		± 6% (podczas pracy)
Przyłącza hydrauliczne		2 złącza PCW Ø40 2 złączki PCW Ø40/50 2 złącza PCW 45° Ø50
Typ czynnika chłodniczego		R32
Wskaźnik ochrony		IP24
Pasma częstotliwości	GHz	2,400–2,497
Moc emisji fal radiowych	dBm	+19,5
Miejsce instalacji		Wewnątrz/na zewnątrz

### Specyfikacje techniczne

		MD4	MD5	MD6
Zapotrzebowanie znamionowe na prąd elektryczny	A	8	10,1	12,3
Zapotrzebowanie maksymalne na prąd elektryczny	A	9,0	12,3	15,9
Minimalny przekrój kabla*	mm <sup>2</sup>	3x2.5	3x2.5	3x2.5
Moc akustyczna (maks.–min.)	db(A)	70–64	71–63	73–65
Moc akustyczna w odległości 10 m (maks.–min.)	db(A)	39–33	40–32	42–34
Zalecany przepływ wody	m <sup>3</sup> /h	3,4	4,2	5
Ładunek czynnika chłodniczego	kg	0,7	0,85	0,95
	Równ. ton CO2	0,47	0,57	0,64
Przybliżony ciężar	kg	41	46	47

\* Wartości podane jako orientacyjne dla maksymalnej długości wynoszącej 20 metrów (podstawa obliczeń: norma NFC 15-100) należy sprawdzić i dostosować w zależności od warunków instalacji oraz norm obowiązujących w kraju instalacji.



<b>A</b>	Drzwi dostępu technicznego
<b>B</b>	Wlot wody basenowej
<b>C</b>	Wylot wody basenowej
<b>D</b>	Odprowadzanie kondensatu

## 9

## Symbole schematów okablowania



## 4.4 Schematy okablowania

Symbol	Opis	Symbol	Opis
A1	Elektroniczna karta regulacyjna	FS	Przełącznik przepływu
A2	Wyświetlacz (interfejsu IHM)	V1 - V2	Warystor
A4	Karta elektroniczna sprężarki	G/Y	Zielono-żółty
CM	Sprężarka	BLK	Czarny
EEV	Elektroniczny zawór rozprężny	BLU	Niebieski
F1 - F2	Bezpiecznik	BRN	Brązowy
FAN	Silnik wentylatora	ORG	Pomarańczowy
HP	Przełącznik wysokiego ciśnienia	PNK	Różowy
ST1	Sonda temperatury wody na wlocie	RED	Czerwony
ST2	Czujnik temperatury powietrza otoczenia	GRY	Szary
ST3	Czujnik temperatury cewki	BLK	Czarny
ST4	Czujnik temperatury przewodu cieczy	VLT	Fioletowy
ST5	Czujnik temperatury odprowadzania	WHT	Biały
4WV	Zawór 4-drożny	YEL	Żółty



Zapoznaj się z tą tabelą, aby przeczytać etykietę ze schematami połączeń, znajdującą się z tyłu skrzynki elektrycznej. Schematy połączeń są również dostępne w instrukcji online.



## ПРЕДУПРЕЖДЕНИЯ



Настоящото ръководство съдържа само основна информация за мерките за безопасност, които трябва да се спазват по време на монтажа, поддръжката и пускането в експлоатация. Пълното ръководство може да бъде прочетено и изтеглено като PDF файл от уебсайта: [www.zodiac.com](http://www.zodiac.com). Всички работи по монтажа, електрическата инсталация и поддръжката трябва да се извършват от квалифициран, упълномощен персонал, който е прочел внимателно това ръководство. Запазваме си правото да променяме всички или част от характеристиките на нашите продукти или съдържанието на този документ без предварително уведомление.



### ! ОБЩИ ПРЕДУПРЕЖДЕНИЯ

- Уредът е предназначен за използване в плувни басейни и спа центрове със специфична цел; той не трябва да се използва за цели, различни от тези, за които е проектиран.
- Неспазването на предупрежденията може да доведе до сериозни повреди на оборудването на басейна, до сериозно нараняване или смърт.
- Този уред не е предназначен за използване от лица (включително деца) с намалени физически, сензорни или умствени способности или с липса на опит и познания, освен ако не са били наблюдавани или инструктирани за използването му от лице, отговорно за тяхната безопасност. Децата трябва да бъдат наблюдавани, за да се гарантира, че няма да си играят с уреда.
- Този уред може да се използва от деца на възраст над 8 години и от лица с намалени физически, сензорни или умствени способности или с липса на опит и познания, ако те са били наблюдавани или инструктирани за безопасното използване на уреда и разбират свързаните с него рискове. Децата не трябва да играят с уреда. Почистването и поддръжката от страна на потребителя не трябва да се извършват от деца без надзор.
- Уредът трябва да се монтира в съответствие с инструкциите на производителя и в съответствие с местните и националните разпоредби.
- Нашите продукти могат да се монтират и инсталират само в плувни басейни, които отговарят на стандартите IEC/HD 60364-7-702 и на съответните национални разпоредби. Монтажът трябва да отговаря на изискванията на IEC/HD 60364-7-702 и на националните разпоредби, изисквани за плувни басейни. Консултирайте се с местния си дилър за повече информация.

### ! ПРЕДУПРЕЖДЕНИЯ, СВЪРЗАНИ С ЕЛЕКТРИЧЕСКИ УРЕДИ

- Електрическото захранване на уреда трябва да бъде защитено със специален 30 mA диференциален прекъсвач, който отговаря на стандартите и разпоредбите, действащи в страната, в която е инсталиран.
- Оборудването не включва електрически ключ за изключване. Добавете уред за изключване на захранването в окабеляването за закрепване от категория поне OVC III, в съответствие с приложимите национални закони.
- Ако захранващият кабел е повреден, той трябва да бъде заменен само от производителя, упълномощен представител или сервизен център.

### ! ПРЕДУПРЕЖДЕНИЯ ОТНОСНО УРЕДИ, СЪДЪРЖАЩИ ХЛАДИЛЕН АГЕНТ R32



- Този уред съдържа хладилен агент R32 от клас A2L, който се счита за потенциално запалим.
- Не изпускайте флуид R32 в атмосферата. Той е флуориран парников газ, обхванат от Протокола от Киото, с потенциал за глобално затопляне (ПГЗ), равен на 675 (Регламент 517/2014 на ЕС).
- За да се спазят приложимите екологични и инсталационни стандарти и разпоредби, по-специално Декрет № 2015-1790 и/или Европейски регламент ЕС 517/2014, трябва да се извърши проверка за херметичност на охлаждащия кръг при първото включване на уреда и поне веднъж годишно. Тази операция трябва да бъде извършена от специалист, сертифициран за изпитване на охлаждащи уреди.
- Уредът трябва да се съхранява в помещение, в което няма постоянен източник на запалване (напр. открит пламък, работещ газов уред или електрически нагревател).
- За допълнителна информация вижте инструкциите за безопасност за уреди, съдържащи газ R32, в разширената версия на ръководството, в която са посочени контролът на зоната, работната процедура, общата работна зона, контролът на наличието на хладилен агент, контролът на наличието на пожарогасител, отсъствието на източник на запалване, вентилация на зоната, контрол на хладилното оборудване, контрол на електрическите компоненти, ремонт на изолирани компоненти, ремонт на вътрешни компоненти, окабеляване, откриване на запалим хладилен агент, отстраняване и изправване, процедури за зареждане и демонтаж.

### ! ИНСТАЛАЦИЯ И ПОДДРЪЖКА

- Само лице, квалифицирано в съответните технически области (електричество, хидравлика или хладилна техника), има право да извършва монтаж, поддръжка или ремонт на уреда.
- Уредът не трябва да се монтира в близост до горими материали или до въздуховодите на съседна сграда.
- При обслужване на уреда проверявайте състава и състоянието на топлоносителната течност, както и дали няма следи от охлаждаща течност.
- По време на годишния тест за херметичност на уреда, в съответствие с действащото законодателство, проверете дали превключвателите за високо и ниско налягане са правилно свързани към охлаждащата верига и дали прекъсват електрическата верига в случай на задействане.
- Когато извършвате дейности по поддръжката, уверете се, че около охлаждащите компоненти няма следи от корозия или масло.
- Преди да започнете работа по охлаждащия кръг, изключете уреда и изчакайте няколко минути, преди да монтирате сензорите за температура и налягане. Някои компоненти, като например компресорът и тръбопроводите, могат да достигнат температури над 100°C и високо налягане, което крие риск от сериозни изгаряния.



## ПРЕДУПРЕЖДЕНИЯ



### СПЕЦИФИКАЦИИ НА ХЛАДИЛНИЯ АГЕНТ

#### Управление на зоната

- Този уред съдържа хладилен агент R32 от клас A2L, който се счита за потенциално запалим.
- Не използвайте флуид R32 в атмосферата. Той е флуориран парников газ, обхванат от Протокола от Киото, с потенциал за глобално затопляне (ПГЗ), равен на 675 (Регламент 517/2014 на ЕС).
- За да се спазят приложимите екологични и инсталационни стандарти и разпоредби, по-специално Декрет № 2015-1790 и/или Европейски регламент ЕС 517/2014, трябва да се извърши проверка за херметичност на охлаждащия кръг при първото включване на уреда и поне веднъж годишно. Тази операция трябва да бъде извършена от специалист, сертифициран за изпитване на охлаждащи уреди.
- Уредът трябва да се съхранява в помещение, в което няма постоянен източник на запалване (напр. открит пламък, работещ газов уред или електрически нагревател).
- За допълнителна информация вижте инструкциите за безопасност за уреди, съдържащи газ R32, в разширената версия на ръководството, в която са посочени контролът на зоната, работната процедура, общата работна зона, контролът на наличието на хладилен агент, контролът на наличието на пожарогасител, отсъствието на източник на запалване, вентилация на зоната, контрол на хладилното оборудване, контрол на електрическите компоненти, ремонт на изолирани компоненти, ремонт на вътрешни компоненти, окабеляване, откриване на запалим хладилен агент, отстраняване и изпразване, процедури за зареждане и демонтаж.

#### Работна процедура

- Работата трябва да се извършва в съответствие с контролирана процедура, за да се сведе до минимум рискът от наличие на запалими газове или изпарения по време на работата.

#### Обща работна зона

- Персоналът по поддръжката и другите работещи в района трябва да бъдат информирани за естеството на работата, която трябва да се извърши. Трябва да се избягва работа в затворени пространства.

#### Проверка на наличието на хладилен агент

- Районът трябва да бъде проверен с подходящ детектор за хладилен агент преди и по време на работа, за да се гарантира, че техникът е предупреден за потенциално токсична или запалива атмосфера. Уверете се, че използваното оборудване за откриване на течове е подходящо за използване с всички приложими хладилни агенти, т.е. не произвежда искри, правилно уплътнено или искробезопасно.

#### Проверка на наличието на пожарогасител

- Ако по хладилното оборудване или свързаните с него части трябва да се извършва работа, свързана с топлина, трябва да има на разположение подходящо пожарогасително оборудване. В близост до зоната за товарене трябва да има прахов или CO2 пожарогасител.

#### Без източник на запалване

- Забранено е на всяко лице, което извършва работа по хладилна система, включваща излагане на тръбопроводи, да използва източници на запалване по начин, който може да доведе до опасност от пожар или експлозия. Всички възможни източници на запалване, включително цигари, трябва да се държат на достатъчно разстояние от мястото на инсталиране, ремонт, отстраняване и изхвърляне, където хладилният агент може да се освободи в околното пространство. Преди началото на работата зоната около оборудването трябва да се провери, за да се гарантира, че няма опасност от запалване или възпламеняване. Трябва да бъдат поставени табели „Пушенето забранено“.

#### Зона с вентилация

- Преди да влезете в уреда по какъвто и да е начин, за да извършите поддръжка, се уверете, че мястото е отворено и добре проветрено. По време на обслужването на уреда трябва да се поддържа подходяща вентилация, за да се осигури безопасно разпръскване на хладилния агент, който може да бъде изпуснат по невнимание в атмосферата.



#### ИНФОРМАЦИЯ ОТНОСНО РЕЦИКЛИРАНЕТО

- Свържете се с Вашия дилър за информация относно рециклирането.

#### ИНФОРМАЦИЯ ЗА ПРОДУКТИТЕ СЪС СВЪРЗАНОСТ (в съответствие с директивата RED)

##### Декларация за съответствие

С настоящото Zodiac декларира, че радиооборудването тип Z350iQ е в съответствие с Директива 2014/53/ЕС. Пълният текст на Европейската декларация за съответствие е достъпен на следния адрес: <https://www.zodiac-poolcare.com/>.

# 1 Инсталация на уреда

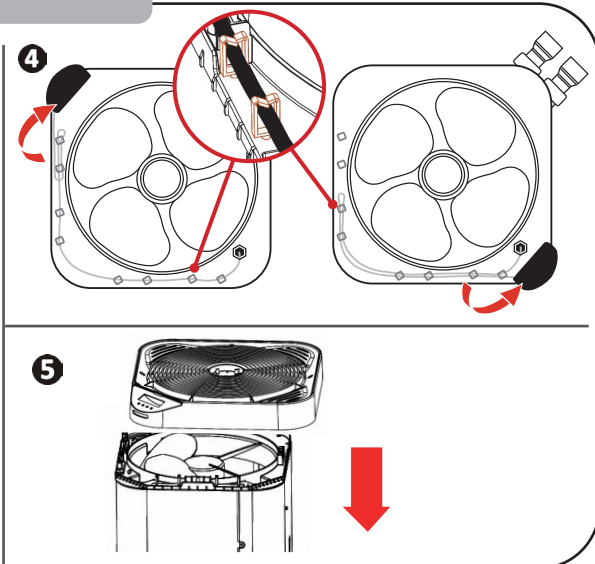
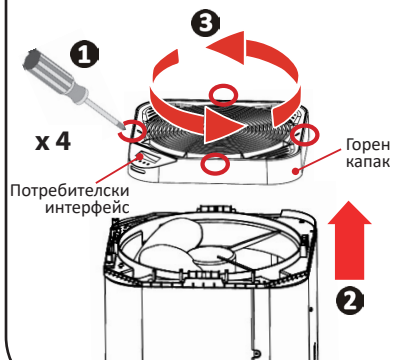


1  
Инсталация

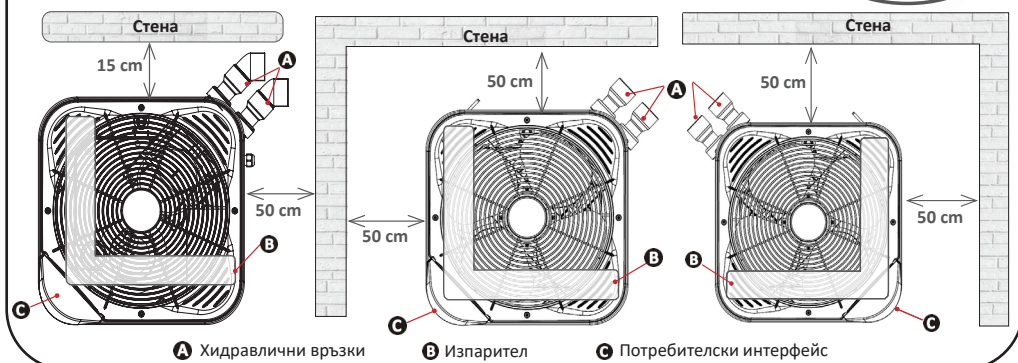
Завъртете горната част и потребителския интерфейс, ако е необходимо



**ВНИМАНИЕ:** Дисплейният панел (под екрана) е свързан с кабел към контролния панел в устройството. Работете внимателно с горния капак, за да не повредите този кабел.



Изберете мястото и хидравличните връзки, които са най-подходящи за конфигурацията на инсталацията

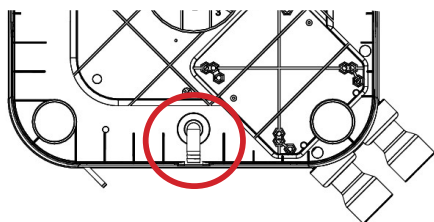


A Хидравлични връзки

B Изпарител

C Потребителски интерфейс

**Дренаж на кондензат.** Монтирайте тръба  $\varnothing 18$  върху жлебовидното коляно, което трябва да се монтира под основата на уреда.



Вижте онлайн ръководството за подробности относно предпазните мерки за монтаж и хидравличните връзки.

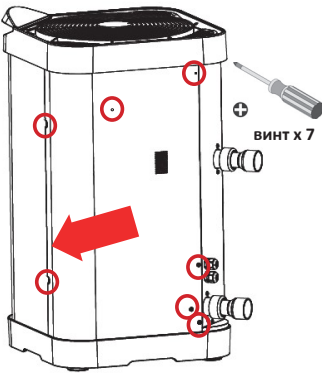


- Изключете електрозахранването, преди да извършвате каквито и да било дейности в уреда (опасност от токов удар). Източникът на захранване трябва да бъде изваден по такъв начин, че винаги да можете да проверите от всяка точка, до която имате достъп, дали източникът на захранване е изваден. Ако това не е възможно, трябва да осигурите изключване със система за заключване.
- Само квалифициран и опитен техник е упълномощен да извършва монтажни работи по уреда или да подменя захранващия кабел.
- Уверете се, че винтовете на клемите са напълно затегнати (опасност от пожар). Разхлабените винтове на клемите водят до анулиране на гаранцията.
- Не прекъсвайте захранването, докато уредът работи. Ако захранването е прекъснато, изчакайте една минута, преди да възстановите захранването.

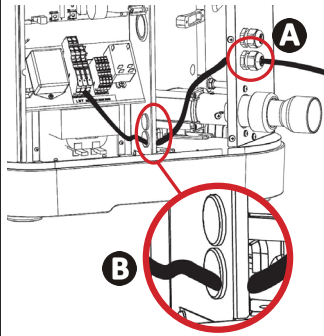


## Свържете устройството към захранването и аксесоарите

## 1 Отворете и извадете.

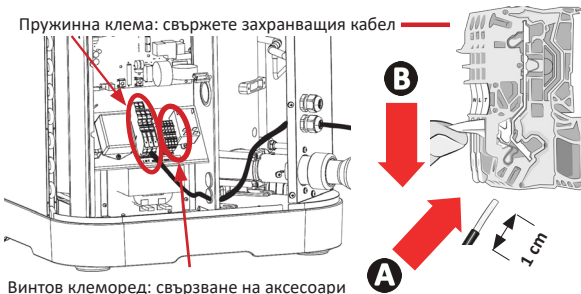


## 2 Прокарайте захранващия кабел.



## 3 Свържете захранващия кабел. За свързване на аксесоари: не прокаравайте кабелите през същото кабелно гнездо като захранващия кабел.

Пружинна клема: свържете захранващия кабел



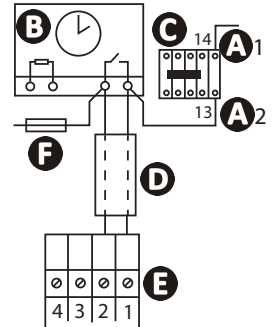
Винтов клеморед: свързване на аксесоари

## Връзка за захранване

ЗАХРАНВАНЕ С  
ПРОМЕНЛИВ ТОК  
220-240 V  
ЕДНОФАЗЕН 50 Hz

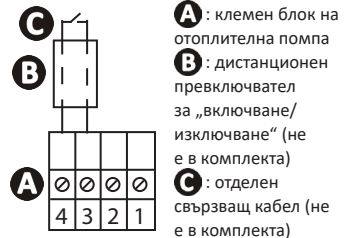
забавен предпазител

## Свързване на приоритета на отоплението



- A1 - A2:** захранване на бобината на контактора на помпата за филтрация
- B:** таймер за филтриране
- C:** контактор (триполюсен или двуполусен) за помпата за филтриране
- D:** отделен кабел за функцията „приоритет на отоплението“ (не се доставя)
- E:** клемен блок на отоплителна помпа
- F:** предпазител

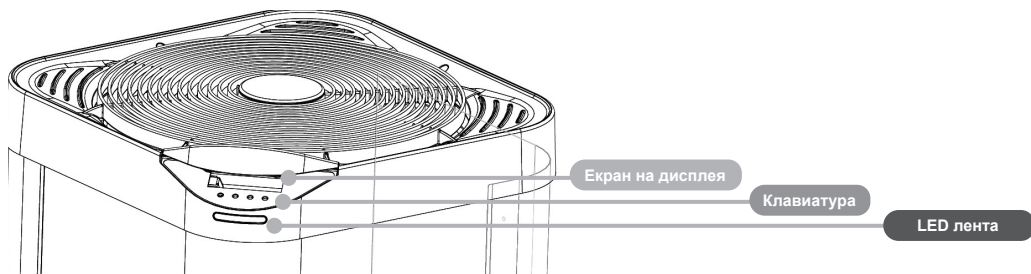
## Връзка за дистанционно „ВКЛ/ИЗКЛ“



- A:** клемен блок на отоплителна помпа
- B:** дистанционен превключвател за „включване/изключване“ (не е в комплекта)
- C:** отделен свързващ кабел (не е в комплекта)

## Окабеляване и защита на кабели

Модел	Захранване	Максимален ток	Диаметър на кабела* (mm)	Термична магнитна защита
MD4	220 - 240 V 1 фаза 50 Hz	9,1	<ul style="list-style-type: none"> <li>• Тип H07RN-F</li> <li>• Диаметър: между 13 и 18 mm</li> <li>• Минимално напречно сечение на кабела:               <ul style="list-style-type: none"> <li>- за захранващия кабел: 3 x 2,5 mm<sup>2</sup></li> <li>- за кабела за аксесоари: 2 x 0,75 mm<sup>2</sup></li> </ul> </li> </ul>	Крива С или D 30 mA
MD5		10,8		
MD6		13,5		



### Екран на дисплея



#### 3 режима:

- BOOST
- SMART
- SILENCE

Измерена температура на водата

**LED лента** (включена по подразбиране)  
За да я изключите, вижте страница 4

**Зелено** - „Отопление“  
• Термопомпата загрева водата  
• Достигната зададена стойност на температурата

**Синьо** - „Охлаждане“  
• Термопомпата охлажда водата

**Червено** - „Грешка“  
• Вижте ръководството онлайн

### Клавиатура



- Промяна на режима
- Достъп до менюто (натиснете и задръжте)
- Валидиране (потвърждаване)



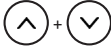
- Навигация
- Задаване на стойности



- ON / OFF (натиснете и задръжте)
- Назад

### Индикаторни светлини

	Фиксиран	Мигач	Угаснал
	Клавиатурата е заключена	-	Клавиатурата е отключена
	Правилен дебит на водата	Водният поток е твърде слаб или липсва	-
	Показва избрания режим	-	-
	-	Температура на въздуха извън работния диапазон	Температура на въздуха в рамките на работния диапазон
°C °F	Избрана температурна единица	-	-
	Безжична връзка	Извършва се сдвояване на безжичната връзка	Wi-Fi не е свързан

**Заклучване/  
отключване на  
клавиатурата**

3 секунди

**Задаване на автоматично заключване (разрешено по подразбиране)**Натиснете и  
задръжете

До „P19“



Потвърдете

ON (активирана)  
или OFF  
(деактивирана)

Потвърдете

**Задаване на зададената температура**Натиснете от основния  
екран, за да зададете  
стойносттаУвеличаване или  
намалаване на  
температуратаПотвърждаване  
(автоматично при повече  
от 30 секунди бездействие)**Препоръчителна  
температура: 28°C**  
**Максимална  
температура: 32°C****Активиране/деактивиране на режима на охлаждане (по подразбиране е деактивиран)**

Режимът на охлаждане се активира с 3 последователни сини мигания.

Натиснете и задръжете,  
докато на дисплея се  
покаже „COOL“.

Потвърдете

ON (активиране) или OFF  
(деактивиране)

Потвърдете

**Избор на режими на отопление**Термопомпата има 3 активни режима на работа, за  
да адаптира работната си скорост към необходимата  
мощност и избрания режим:

- Режим „BOOST“
- Режим „SMART“
- Режим „SILENCE“

Натиснете от главния  
екран: индикаторът ►  
спира пред един от 3-те  
режима**Деактивиране на LED банера (светещ по подразбиране)**Натиснете и задръжете  
от главния екран: на  
дисплея се показва  
„COOL“.дисплеят показва  
„LED“

Потвърдете

ON (активиран)  
или OFF  
(деактивиран)

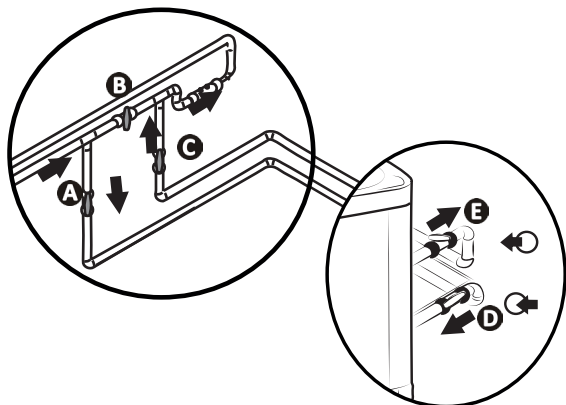
Потвърдете

За повече информация относно  
режимите на работа и поведението  
на LED лентата вижте онлайн  
ръководството.






## Отворете хидравличната верига



### ВНИМАНИЕ:

Неправилната настройка на байпаса може да доведе до неправилно функциониране на термопомпата.

- Постепенно затворете клапан B.
- Отворете напълно вентилите A, C и D. Отворете вентил E наполовина (въздухът, натрупан във веригата на кондензатора и филтъра, ще бъде изпуснат). Ако няма клапани D и E, отворете напълно клапан A и затворете наполовина клапан C.
- Свържете електрозахранването към термопомпата.
- Ако термопомпата е в режим на готовност, натиснете  за 3 секунди: началният екран се появява за 4 секунди и след това се показва основният екран. Стартира се 2-минутен таймер.
- Задайте желаната температура.



## Обратно към приложението Fluidra Pool



Термопомпата може да се управлява дистанционно от смартфон или таблет чрез приложението Fluidra Pool, достъпно за системи iOS и Android. Преди да се свържете с приложението Fluidra Pool, се уверете, че :

- Използвате смартфон или таблет с Wi-Fi.
- Когато се свързвате с термопомпата, използвате Wi-Fi мрежа с достатъчно силен сигнал: Wi-Fi сигналът трябва да може да бъде открит там, където се използва уреда. В противен случай трябва да се осигури техническо решение за усилване на съществуващия сигнал.
- Бъдете близо до уреда и подгответе паролата за домашната си Wi-Fi мрежа.

Изтегляне на приложението Fluidra Pool



Натиснете и задръжте

На екрана се показва „bLE“

Отворете приложението и следвайте стъпките, описани в приложението, за да добавите термопомпата.



## Зазимяване

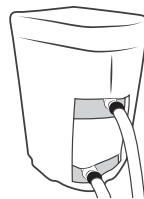


Натиснете и задръжте, за да изключите уреда

Изключване на захранването

Затворете клапаните А и С и отворете клапаните D и E (ако е приложимо)

Източете водата от кондензатора, за да избегнете опасността от замръзване



Поставете проветриво зимно микро покритие

- Ако басейнът е напълно зазимен (филтриращата система е напълно спряна, филтрационната верига е източена или басейнът е изпразнен): сглобете отново двата конектора със завъртане, за да предотвратите навлизането на чужди тела в кондензатора.
- Ако само термопомпата трябва да се зазими (спиране само отопление, филтрацията продължава да работи): натягайте връзките, а добавете 2 тапи (доставени в комплекта) към входа и изхода на кондензаторната вода.
- Поставете проветриво зимно микро покритие (в комплекта) върху термопомпата, като прекарате хидравличните връзки през предвидения отвор. Не е необходимо да изключвате хидравличните и електрическите връзки.



- **Зазимяването е от съществено значение, за да се предотврати повреда на кондензатора поради замръзване (замръзване без зазимяване не се покрива от гаранцията).**
- **За да избегнете повреждане на уреда поради конденз, не го покривайте изцяло и използвайте доставената кутия за зазимяване.**



## Поддръжка

- Проверете дали вентилационната решетка не е блокирана от чужди предмети.
- Почистете изпарителя с мека четка и прясна струя вода (изключете захранващия кабел).
- Почистете тръбата за източване на кондензат, за да отстраните всички замърсявания, които могат да я блокират.
- Уверете се, че вентилационната решетка на разпределителната кутия е чиста.
- Не използвайте струя с високо налягане. Не пръскайте с дъждовна вода, солена вода или вода, съдържаща минерали.
- Почистете външната част на уреда; не използвайте продукти на основата на разтворители. Можете да използвате специален комплект за почистване като аксесоар: PAC NET.




- **Не прекъсвайте захранването, докато уредът работи. Ако електрозахранването е прекъснато, изчакайте една минута, преди да възстановите захранването на уреда.**
- **Преди всякаква поддръжка, отстраняване на неизправности или ремонт препоръчваме да деактивирате Wi-Fi връзката на модема, за да избегнете всякакъв риск от дистанционно управление на уреда.**
- Препоръчително е да се извършва обща поддръжка на уреда поне веднъж годишно, за да се гарантира правилното му функциониране, да се поддържат нивата на производителност и евентуално да се предотвратят някои повреди. Тези операции ще бъдат извършени от техническо лице за сметка на потребителя.



Вижте онлайн ръководството за повече подробности относно инструкциите за безопасност, свързани с хладилния агент R32, и относно задачите за поддръжка, които трябва да се извършват от квалифициран техник.



- Преди да се свържете с търговеца, извършете няколко прости проверки в случай на проблем. Ако проблемът остане нерешен, свържете се с Вашия търговец.
-  : Работата трябва да се извършва само от квалифициран техник.

### Поведение на уреда

Уредът не започва да се нагрява веднага	<ul style="list-style-type: none"> <li>• Когато дебитът на водата е нулев или недостатъчен, уредът спира: проверете дали водата тече правилно през уреда и дали хидравличните връзки са правилни.</li> <li>• Уредът спира да работи, когато външната температура падне под <math>-7^{\circ}\text{C}</math>.</li> </ul>
Уредът изхвърля вода	<ul style="list-style-type: none"> <li>• За да проверите дали водата не идва от теч във веригата на басейна на уреда, изключете го и пуснете филтърната помпа, за да циркулира водата в уреда. Ако през тръбите за отвеждане на кондензат продължава да тече вода, в уреда има теч на вода: свържете се с Вашия търговец.</li> </ul>
Изпарителят е замръзнал	<ul style="list-style-type: none"> <li>• Скоро уредът ще премине през цикъла на размразяване, за да разтопи леда.</li> <li>• Ако уредът не може да размрази изпарителя си, той се изключва; това означава, че външната температура е твърде ниска (под <math>-^{\circ}\text{C}</math>).</li> </ul>
Уредът „пуши“	<ul style="list-style-type: none"> <li>• Ако уредът не е в цикъл на размразяване, това не е нормално. Незабавно изключете и извадете уреда от електрическата мрежа и се свържете с Вашия търговец.</li> </ul>
Уредът не работи	<ul style="list-style-type: none"> <li>•  Ако няма дисплей, проверете захранващото напрежение и предпазителя F1.</li> <li>• Когато дебитът на водата е нулев или недостатъчен, уредът спира: проверете дали водата тече правилно през уреда.</li> </ul>
Вентилаторът работи, но компресорът спира от време на време без съобщение за грешка.	<ul style="list-style-type: none"> <li>• Ако външната температура е ниска, уредът извършва цикли на размразяване.</li> <li>• Уредът не може да улавя достатъчно топлина, защото изпарителят му е замърсен. Почистете го, за да възстановите работата му.</li> </ul>
Уредът работи, но температурата на водата не се повишава	<ul style="list-style-type: none"> <li>• Режимът на работа не е достатъчно мощен (уредът е в режим „SILENCE“ или „SMART“). Превключете на режим „BOOST“ и настройте филтрирането на 24/24 ръчно, докато температурата се повишава.</li> <li>• Проверете дали клапанът за автоматично пълнене не е блокиран в отворено положение; той продължава да подава студена вода към басейна и предотвратява повишаването на температурата.</li> <li>• Губи се твърде много топлина, защото въздухът е хладен. Монтирайте топлоизолиращо покритие върху басейна.</li> <li>• Уредът не може да улавя достатъчно топлина, защото изпарителят му е замърсен. Почистете го, за да възстановите работата му.</li> <li>•  Проверете дали размерът на уреда е подходящ за басейна и заобикалящата го среда.</li> </ul>
Уредът задейства прекъсвача	<ul style="list-style-type: none"> <li>•  Проверете дали прекъсвачът е правилно оразмерен и дали е използвано правилното сечение на кабела.</li> <li>•  Захранващото напрежение е твърде ниско; свържете се с доставчика на електроенергия.</li> </ul>



За подробности относно показването на кодовете за грешки, поведението на светодиодите на печатната платка и схемите на свързване вижте онлайн ръководството.



Производителност: въздух при 28°C / вода при 28°C / влажност на въздуха 80%.

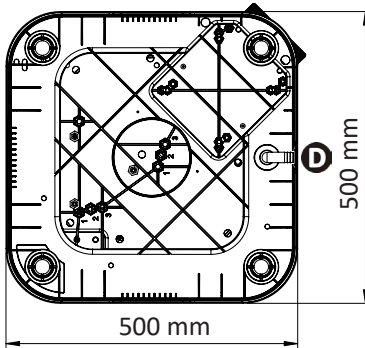
		MD4	MD5	MD6
Изходна мощност (макс.-мин. скорост)	kW	11 - 3,1	14 - 4,4	16 - 4,7
Консумация на енергия (макс.-мин. скорост)	kW	1,9 - 0,3	2,6 - 0,5	3,2 - 0,5
Среден КПД (макс. - мин. скорост)		5,8 - 10,3	5,4 - 8,8	5 - 9,4

## Технически спецификации

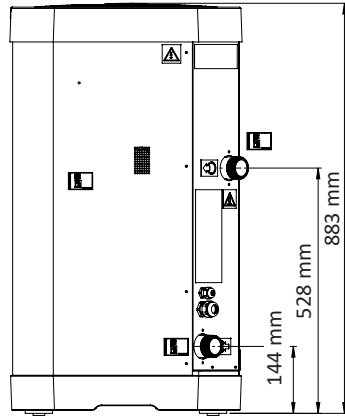
Работна температура	Въздух	В режим „отопление“: от -7 до 35°C В режим „охлаждане“: от 10 до 35°C
	Вода	от 15 до 32°C
Работно налягане	Хладилен агент	2 до 42 бара (0,2 до 4,2 MPa)
	Вода	0 до 2 бара (0 до 0,2 MPa)
Захранване		220 - 240 V ~ / 1 фаза / 50 Hz
Допустима промяна на напрежението		± 6% (по време на работа)
Хидравлични връзки		2 фитинги от PVC Ø 40 2 редуктора от PVC Ø 40/50 2 фитинги от PVC 45° Ø 50
Вид на охлаждащата течност		R32
Знак за защита		IP24
Честотни ленти	GHz	2,400 - 2,497
Радиочестотна предавателна мощност	dBm	+19,5
Място на инсталиране		На закрито/на открито

## Технически спецификации

		MD4	MD5	MD6
Изискване за номинален електрически ток	A	8	10,1	12,3
Изискване за максимален електрически ток	A	9,0	12,3	15,9
Минимално напречно сечение на кабела*	mm <sup>2</sup>	3x2.5	3x2.5	3x2.5
Звукова мощност (макс.-мин.)	db(A)	70 - 64	71-63	73-65
Звуково налягане на 10 m (макс.-мин.)	db(A)	39-33	40-32	42-34
Препоръчителен дебит на водата	m <sup>3</sup> /h	3,4	4,2	5
Зареждане на охлаждащата течност	kg	0,7	0,85	0,95
	Еквивалент Тон CO2	0,47	0,57	0,64
Приблизително тегло	kg	41	46	47



Дъно



Назад

**A**

Техническа врата за достъп

**B**

Вход за вода в басейна

**C**

Изход за вода от басейна

**D**

Изпускане на кондензат

9

Символи на електрическата схема



4.4 Електрическа схема

Символ	Описание	Символ	Описание
A1	Електронно табло за управление	FS	Превключвател на дебита
A2	Информационно табло (IHM)	V1 - V2	Варистор
A4	Електронно табло на компресора	G/Y	Зелено/жълто
CM	Компресор	BLK	Черен
EEV	Електронен разширителен вентил	BLU	Син
F1 - F2	Предпазител	BRN	Кафяв
FAN	Двигател на вентилатора	ORG	Оранжев
HP	Превключвател за високо налягане	PNK	Розов
ST1	Сензор за температура на входа на водата	RED	Червен
ST2	Сензор за температурата на въздуха в помещението	GRY	Сив
ST3	Сензор за температурата на обината	BLK	Черен
ST4	Сензор за температурата на водната линия	VLT	Лилаво
ST5	Сензор за температурата на източващата се вода	WHT	Бял
4WV	4-посочен клапан	YEL	Жълт



Направете справка с тази таблица, за да разчетете етикета с електрическата схема на гърба на електрическата кутия. Схемите на свързване са налични и в онлайн ръководството.



## UPOZORNĚNÍ



Tato příručka obsahuje pouze základní informace o bezpečnostních opatřeních, která je třeba dodržovat při instalaci, údržbě a uvádění do provozu. Kompletní příručku si můžete přečíst a stáhnout jako soubor PDF z webových stránek: [www.zodiac.com](http://www.zodiac.com). Veškeré montážní, elektroinstalační a údržbářské práce musí provádět kvalifikovaní a oprávnění pracovníci, kteří si pečlivě přečetli tuto příručku. Vyhrazujeme si právo zcela nebo zčásti měnit vlastnosti našich produktů nebo obsah tohoto dokumentu bez předchozího upozornění.



### ! OBECNÁ UPOZORNĚNÍ

- Zařízení je určeno pro konkrétní použití v bazénech a vířivkách a nesmí být použito k žádným jiným účelům, než pro které bylo navrženo.
- Nedodržení těchto upozornění může způsobit vážné poškození zařízení bazénu či závažná nebo dokonce smrtelná zranění.
- Toto zařízení nesmějí používat osoby (včetně dětí) se sníženými fyzickými, smyslovými či duševními schopnostmi nebo bez patřičných zkušeností a znalostí, pokud osoba odpovědná za jejich bezpečnost nezajistí jejich dohled a neseznámí je s pokyny pro používání zařízení. Dohlédněte na děti, aby si se zařízením nehrály.
- Toto zařízení mohou používat děti starší 8 let; osoby se sníženými fyzickými, smyslovými či duševními schopnostmi nebo bez patřičných zkušeností a znalostí mohou zařízení používat pouze tehdy, pokud je nad nimi prováděn náležitý dohled anebo byly poučeny o jeho bezpečném používání a chápou související rizika. Děti si nesmějí se zařízením hrát. Čištění a uživatelskou údržbu nesmějí provádět děti bez dozoru.
- Zařízení musí být instalováno v souladu s pokyny výrobce a v souladu s platnými místními a vnitrostátními předpisy.
- Naše produkty lze montovat a instalovat pouze do bazénů, které jsou v souladu s normami IEC/HD 60364-7-702 a náležitými vnitrostátními předpisy. Instalace musí být v souladu s normou IEC/HD 60364-7-702 a náležitými vnitrostátními předpisy pro bazény. Další informace získáte u svého místního prodejce.

### ! UPOZORNĚNÍ TYKAJÍCÍ SE ELEKTRICKÝCH ZAŘÍZENÍ

- Elektrické napájení zařízení musí být chráněno proudovým chráničem 30 mA v souladu s normami a právními předpisy platnými v zemi instalace.
- Zařízení neobsahuje elektrický vypínač pro odpojení. Přidejte zařízení pro odpojení napájení s kategorií přepětí OVC nejméně III do pevného kabelového vedení podle platných vnitrostátních předpisů.
- Pokud je poškozen napájecí kabel, musí být vyměněn pouze výrobcem, autorizovaným zástupcem nebo opravárenskou dílnou.

### ! UPOZORNĚNÍ PRO ZAŘÍZENÍ OBSAHUJÍCÍ CHLADIVO R32



- Toto zařízení obsahuje chladivo R32, což je chladivo třídy A2L, které je považováno za potencionálně hořlavé.
- Chladivo R32 nevypouštějte do ovzduší. Jedná se fluorový plyn se skleníkovým efektem, zahrnutý v Kjótském protokolu, s potenciálem globálního oteplování (GWP) 675 (evropské nařízení (EU) č. 517/2014).
- Aby byly dodrženy příslušné ekologické a instalační normy a předpisy, včetně vyhlášky č. 2015-1790 a/nebo evropského nařízení (EU) č. 517/2014, je nutné při uvedení do provozu a poté alespoň jednou ročně provést zkoušku těsnosti chladicího okruhu. Tuto operaci musí provést certifikovaný odborník na chladicí zařízení.
- Zařízení skladujte v místnosti bez trvalého zdroje zapálení (např. otevřený oheň, používaný plynový spotřebič nebo elektrické topení).
- Další informace naleznete v bezpečnostních pokynech pro zařízení obsahující plyn R32 v rozšířené verzi příručky, ve které je uvedena kontrola prostoru, pracovní postup, obecný pracovní prostor, kontrola přítomnosti chladiva, kontrola přítomnosti hasičích přístrojů, nepřítomnost zdroje zapálení, větrání prostoru, kontrola chladicího zařízení, kontrola elektrických součástí, oprava izolovaných součástí, oprava vnitřních součástí, kabelové připojení, detekce hořlavého chladiva, odsáti a vakuování, postupy plnění a demontáž.

### ! INSTALACE A ÚDRŽBA

- Instalaci, údržbu nebo opravu zařízení smí provádět pouze osoba kvalifikovaná v příslušných technických oborech (elektrotechnika, hydraulika nebo chlazení).
- Zařízení nesmí být instalováno do blízkosti hořlavých materiálů nebo blízkosti vstupu vzduchového potrubí sousední budovy.
- Při provádění údržby zařízení zkontrolujte složení a stav teplotního média a také nepřítomnost stop chladiva.
- Během roční kontroly těsnosti zařízení v souladu s platnými zákony ověřte, zda jsou presostaty vysokého a nízkého tlaku správně připojené k chladicímu okruhu a zda přeruší elektrický obvod v případě jejich aktivování.
- Při provádění údržby se ujistěte, zda se kolem chladicích součástí nenacházejí stopy koroze nebo skvrny oleje.
- Než začnete provádět práce na chladicím okruhu, zařízení vypněte, několik minut počkejte a poté teprve instalujte teplotní a tlaková čidla. Některé součásti, například kompresor a potrubí, mohou dosahovat teplot vyšších než 100 °C a může v nich být vysoký tlak, což může způsobit vznik vážných popálenin.



## UPOZORNĚNÍ



### SPECIFIKACE CHLADIVA

#### Kontrola prostoru

- Toto zařízení obsahuje chladivo R32, což je chladivo třídy A2L, které je považováno za potenciálně hořlavé.
- Chladivo R32 nevypouštějte do ovzduší. Jedná se fluorový plyn se skleníkovým efektem, zahrnutý v Kjótském protokolu, s potenciálem globálního oteplování (GWP) 675 (evropské nařízení (EU) č. 517/2014).
- Aby byly dodrženy příslušné ekologické a instalační normy a předpisy, včetně vyhlášky č. 2015-1790 a/nebo evropského nařízení (EU) č. 517/2014, je nutné při uvedení do provozu a poté alespoň jednou ročně provést zkoušku těsnosti chladicího okruhu. Tuto operaci musí provést certifikovaný odborník na chladicí zařízení.
- Zařízení skladujte v místnosti bez trvalého zdroje zapálení (např. otevřený oheň, používaný plynový spotřebič nebo elektrické topení).
- Další informace naleznete v bezpečnostních pokynech pro zařízení obsahující plyn R32 v rozšířené verzi příručky, ve které je uvedena kontrola prostoru, pracovní postup, obecný pracovní prostor, kontrola přítomnosti chladiva, kontrola přítomnosti hasicího přístroje, nepřítomnost zdroje zapálení, větrání prostoru, kontrola chladicího zařízení, kontrola elektrických součástí, oprava izolovaných součástí, oprava vnitřních součástí, kabelové připojení, detekce hořlavého chladiva, odsátí a vakuování, postupy plnění a demontáž.

#### Pracovní postup

- Práce je nutné provádět podle řízeného postupu, aby se při jejich provádění snížilo riziko přítomnosti plynu nebo hořlavých par.

#### Obecný pracovní prostor

- Pracovníci údržby a ostatní osoby pracující v daném prostoru musí být informováni o druhu prováděných prací. Je třeba se vyhnout pracím v uzavřených prostorech.

#### Kontrola přítomnosti chladiva

- Před zahájením prací a během nich musí být prostor zkontrolován vhodným detektorem chladiva, aby byl technik varován před potenciálně toxickým nebo hořlavým prostředím. Ověřte, zda zařízení používané pro detekci úniků je možné použít u všech použitých chladiv, tzn. že nemůže způsobit vznícení, je řádně izolované nebo zcela bezpečné.

#### Kontrola přítomnosti hasicího přístroje

- Pokud je nezbytné na chladicím zařízení nebo na přidruženém dílu provádět práce při určité teplotě, je nutné mít v dosahu vhodný hasicí přístroj. V blízkosti nakládacího prostoru musí být k dispozici práškový hasicí přístroj nebo hasicí přístroj CO2.

#### Nepřítomnost zdroje zapálení

- Osobám provádějícím práce na chladicím systému, které se týkají potrubí, je zakázáno používat zdroje zapálení způsobem, který by mohl vést k nebezpečí požáru nebo výbuchu. Jakmile může být chladivo potenciálně uvolněno do okolního prostoru, je nutné veškeré potenciální zdroje zapálení, zejména cigarety, udržovat v dostatečné vzdálenosti od místa, kde se provádí instalace, oprava, odsávání a likvidace. Před zahájením prací je nutné zkontrolovat prostor kolem zařízení, aby bylo vyloučeno riziko hořlavosti nebo zapálení. Umístěte značky „Zákaz kouření“.

#### Větrání prostoru

- Před prováděním jakékoliv údržby jednotky zkontrolujte, zda je prostor otevřený a dobře větraný. Při údržbě jednotky musí být zajištěno dostatečné větrání, které umožní bezpečné rozptýlení chladiva, které by se mohlo nedopatřením uvolnit do ovzduší.



### INFORMACE O RECYKLACI

- Informace o recyklaci získáte u svého prodejce.

### INFORMACE O PRODUKTECH S KONEKTIVITOU (podle směrnice RED)

#### Prohlášení o shodě

Společnost Zodiac tímto prohlašuje, že rádiové zařízení typu Z350iQ je v souladu se směrnicí 2014/53/EU. Úplné znění EU prohlášení o shodě je k dispozici na adrese: <https://www.zodiac-poolcare.com/>.

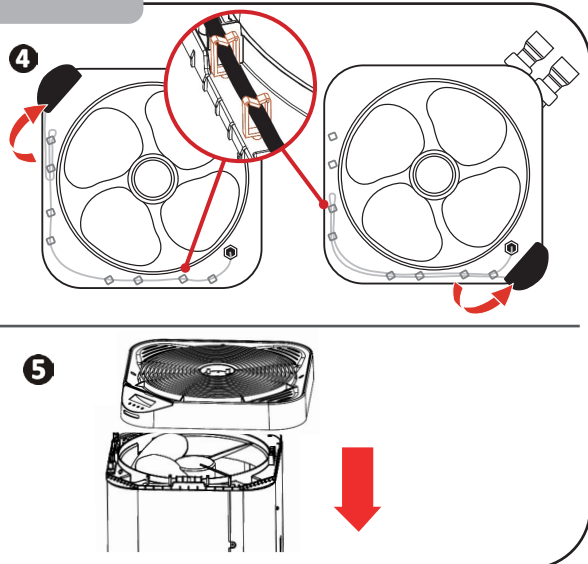
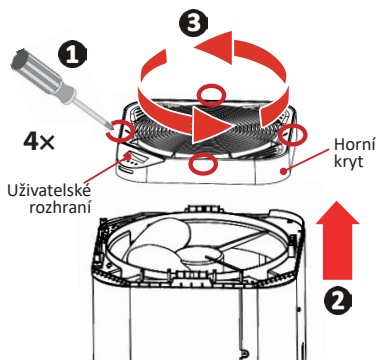
# 1 Instalace zařízení



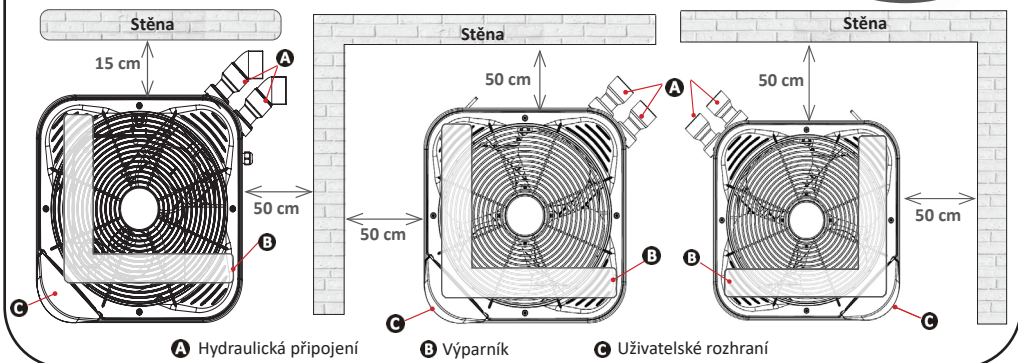
1 Instalace

V případě potřeby otočte horní část a uživatelské rozhraní.

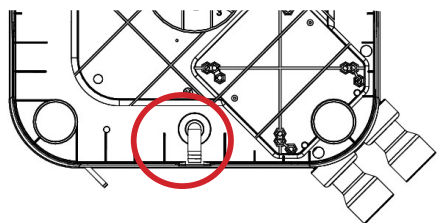
**UPOZORNĚNÍ:** Panel displeje (pod obrazovkou) je kabelem připojen k ovládacím panelu uvnitř jednotky. S horním krytem zacházejte opatrně, aby nedošlo k poškození tohoto kabelu.



Vyberte umístění a hydraulické konektory, které nejvíce odpovídají konfiguraci instalace.



**Odvod kondenzátů.** Umístěte trubku Ø 18 na drážkované koleno pod základnou zařízení.



Další podrobnosti o bezpečnostních opatřeních při instalaci a hydraulických připojeních naleznete v online příručce.

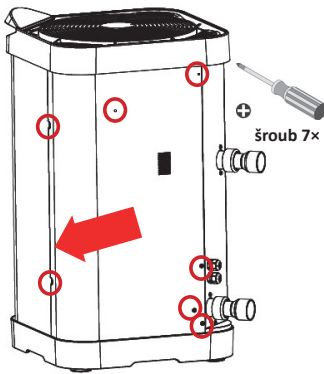




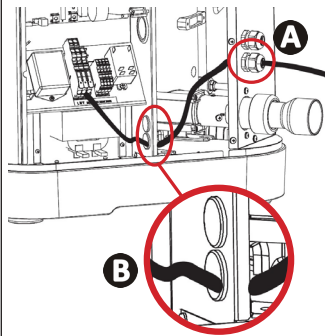
- Před jakýmkoli zásahem uvnitř zařízení odpojte elektrické napájení (nebezpečí úraza elektrickým proudem). Elektrické napájení musí být odpojeno takovým způsobem, abyste mohli kdykoli z jakéhokoli přístupného místa zkontrolovat, že je elektrické napájení přerušeno. Pokud to není možné, musíte zajistit odpojení pomocí uzamykacího systému.
- Provést elektroinstalaci zařízení nebo vyměnit napájecí kabel je oprávněn pouze kvalifikovaný a zkušený technik.
- Ujistěte se, že jsou šrouby svorek řádně utaženy (riziko požáru). Nesprávně utažené šrouby svorky mají za následek zánik záruky.
- Nevypínejte napájení elektrickou energií, když je zařízení v chodu. Pokud dojde k přerušení dodávek elektrické energie, počkejte minutu, než opět zapnete přívod proudů.

## Připojení jednotky k elektrickému napájení a k příslušenstvím

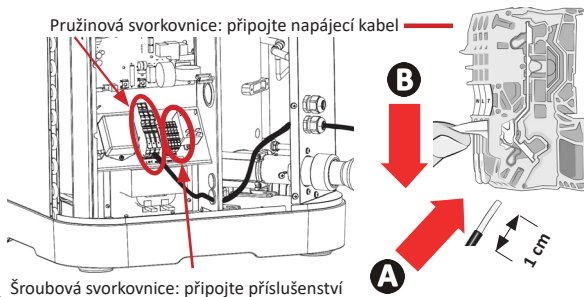
## 1 Otevřete a sejměte.



## 2 Protáhněte napájecí kabel.



## 3 Připojte napájecí kabel. Připojení příslušenství: neprotahujte kabely stejnou kabelovou průchodkou jako napájecí kabel.



Pružinová svorkovnice: připojte napájecí kabel

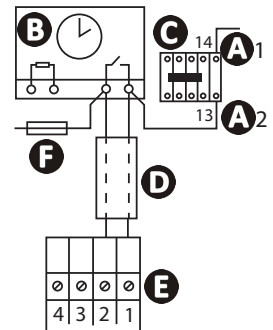
Šroubová svorkovnice: připojte příslušenství

## Připojení elektrického napájení

ELEKTRICKÉ  
NAPÁJENÍ AC  
220–240 V  
JEDNOFÁZOVÉ 50 Hz

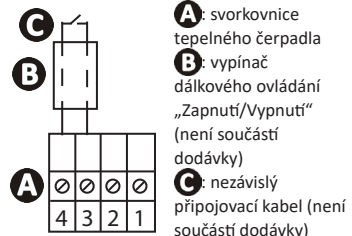
Zpožděná pojistka

## Připojení priority ohřevu



- A1 – A2:** napájení pro cívek stykače filtračního čerpadla
- B:** časovač filtrace
- C:** stykač (trojpolový nebo dvojpólový) filtračního čerpadla
- D:** nezávislý kabel pro funkci „Priorita ohřevu“ (není součástí dodávky)
- E:** svorkovnice tepelného čerpadla
- F:** pojistka

## Připojení pro dálkové ovládání „ZAPNUTÍ/VYPNUTÍ“

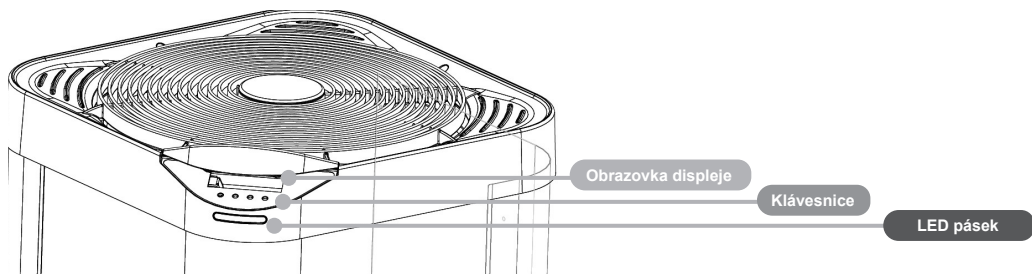


- A:** svorkovnice tepelného čerpadla
- B:** vypínač dálkového ovládání „Zapnutí/Vypnutí“ (není součástí dodávky)
- C:** nezávislý přípojovací kabel (není součástí dodávky)

## Kabelové vedení a ochrana kabelů

Model	Elektrické napájení	Max. proud	Průměr kabelu*	Jistič s magnetickou a tepelnou spouští
MD4	220–240 V 1 fáze 50 Hz	9,1	<ul style="list-style-type: none"> <li>• Typ H07RN-F</li> <li>• Průměr: 13 až 18 mm</li> <li>• Min. průřez kabelu: - napájecí kabel: 3 × 2,5 mm<sup>2</sup></li> <li>- kabel příslušenství: 2 × 0,75 mm<sup>2</sup></li> </ul>	Charakteristika C nebo D 30 mA
MD5		10,8		
MD6		13,5		

\* Průřez kabelu je vhodný pro maximální délku 20 metrů.



### Obrazovka displeje



#### 3 režimy:

- BOOST
- SMART
- SILENCE

Naměřená teplota vody

### LED pásek (implicitně svítí) Pro vypnutí viz stranu 4.

#### Zelená – „Ohřev“

- Tepelné čerpadlo ohřívá vodu.
- Je dosaženo požadované teploty.

#### Modrá – „Chlazení“

- Tepelné čerpadlo ochlazuje vodu.

#### Červená – „Chyba“

- Viz online příručku.

### Klávesnice



- Změna režimu
- Přístup k nabídce (stisknout a držet)
- Potvrzení (potvrdit)



- Navigace
- Nastavení hodnot



- ON / OFF (stisknout a držet)
- Zpět

### Světelné kontrolky

	Svítlí nepřerušovaně	Bliká	Nesvítlí
	Zamčená klávesnice	-	Odemčená klávesnice
	Správný průtok vody	Příliš slabý nebo žádný průtok vody	-
	Zobrazuje zvolený režim	-	-
	-	Teplota vzduchu je mimo provozní rozsah	Teplota vzduchu je v provozním rozsahu
°C °F	Vybraná jednotka teploty	-	-
	Wi-Fi připojena	Probíhá párování Wi-Fi	Wi-Fi nepřipojena



## Zamknutí/ Odemknutí klávesnice



3 sekundy



## Volba automatického zamykání (implicitně aktivované)



Stisknout  
a držet



až „P19“



Potvrdit



ON (aktivovaný)  
nebo OFF  
(deaktivovaný)



Potvrdit



## Nastavení požadované teploty:



Stisknout na hlavní obrazovce  
pro nastavení hodnoty



Zvýšit nebo snížit teplotu



Potvrdit (po 30 sekundách  
nečinnosti dojde  
k automatickému potvrzení)

**Doporučená teplota: 28 °C**  
**Max. teplota: 32 °C**



## Aktivování/Deaktivování režimu Chlazení (implicitně deaktivovaný)

Režim Chlazení je potvrzen 3 po sobě jdoucími modrými bliknutími.



Dlouze stisknout,  
dokud se na obrazovce  
nezobrazí „COOL“.



Potvrdit



ON (aktivovaný) nebo OFF  
(deaktivovaný)



Potvrdit



## Výběr režimů ohřevu

Teplé čerpadlo má 3 aktivní provozní režimy, které  
přizpůsobují jeho provozní rychlost požadovanému výkonu a  
vybranému režimu.

- Režim „BOOST“
- Režim „SMART“
- Režim „SILENCE“



Stisknout na hlavní  
obrazovce: ukazatel ▶  
se zastaví před jedním z  
3 režimů



## Deaktivování LED pásku (implicitně svítí)



Stisknout a držet na  
hlavní obrazovce: na  
obrazovce se zobrazí  
„COOL“



Na obrazovce se  
zobrazí „LED“



Potvrdit



ON (aktivovaný)  
nebo OFF  
(deaktivovaný)



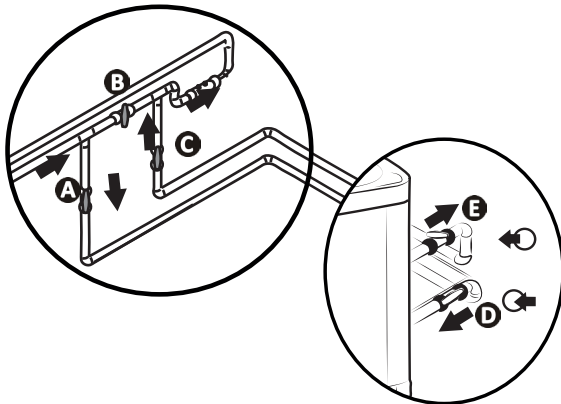
Potvrdit




Další podrobnosti o provozních režimech  
a chování LED pásku naleznete v online  
příručce.



## Otevření hydraulického okruhu

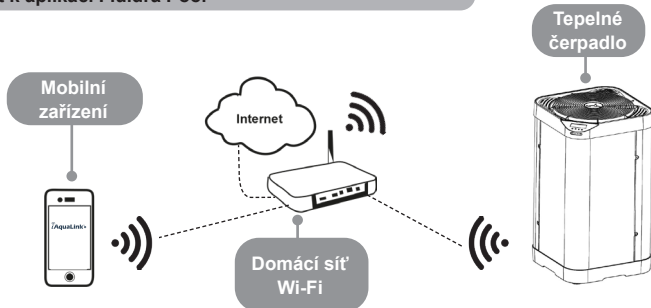


**UPOZORNĚNÍ:** nesprávné nastavení obtoku může způsobit poruchu tepelného čerpadla.

- Postupně zavírejte kohout B.
- Zcela otevřete kohouty A, C a D. Dále otevřete kohout E na polovinu (vzduch nahromaděný v kondenzátoru a v okruhu filtrace bude odcházet). Pokud nejsou kohouty D a E instalovány, otevřete zcela kohout A a přivřete kohout C na polovinu.
- Připojte elektrické napájení k tepelnému čerpadlu.
- Pokud je tepelné čerpadlo v pohotovostním režimu, stiskněte po dobu 3 sekund , zobrazí se úvodní obrazovka po dobu 4 sekund, poté se zobrazí hlavní obrazovka. Spustí se časovač na 2 minuty.
- Nastavte požadovanou teplotu.



## Návrat k aplikaci Fluidra Pool



Tepelné čerpadlo lze ovládat na dálku pomocí chytrého telefonu nebo tabletu prostřednictvím aplikace Fluidra Pool dostupné pro systémy iOS a Android. Před připojením k aplikaci Fluidra Pool je nutné:

- Použít chytrý telefon nebo tablet s Wi-Fi.
- Použít síť Wi-Fi s dostatečně silným signálem pro připojení k tepelnému čerpadlu: signál Wi-Fi by měl být dostupný na místě, kde je zařízení používáno. Pokud tomu tak není, je třeba zajistit technické řešení pro zesílení stávajícího signálu.
- Zůstaňte v blízkosti zařízení a připravte si heslo pro domácí síť Wi-Fi.

Stáhněte aplikaci Fluidra Pool.



Stiskněte a držte

Na obrazovce se zobrazí „bLE“

Otevřete aplikaci a postupujte podle kroků popsaných v aplikaci pro přidání tepelného čerpadla.



## Zazimování

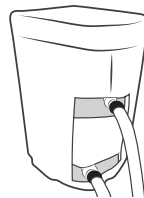


Pro vypnutí zařízení stiskněte a držte

Vypněte elektrické napájení

Uzavřete kohouty A a C a otevřete kohouty D a E (v případě potřeby).

Vypusťte vodu z kondenzátoru, aby nedošlo k zamrznutí.



Nasaďte zazimovací příkrývku s mikroodvětráváním.

- V případě kompletního zazimování bazénu (celkové vypnutí filtračního systému, odvodu vzdušení filtračního okruhu nebo vypuštění bazénu): oba konektory jedním otočením zašroubujte zpět, aby se předešlo vniknutí cizího tělesa do kondenzátoru.
- V případě zazimování pouze tepelného čerpadla (pouze vypnutí ohřevu, filtrace zůstává funkční): neutahujte konektory, ale nasaďte 2 zátky (součást dodávky) na vstupy a výstupy vody z kondenzátoru.
- Na tepelné čerpadlo nasaďte zazimovací příkrývku s mikroodvětráváním (součást dodávky) a hydraulické přípojky protáhněte otvorem určeným k tomuto účelu. Není nutné odpojovat hydraulické a elektrické přípojky.



- Zazimování je nutné, aby nedošlo k poškození kondenzátoru mrazem (na poškození mrazem bez zazimování se nevztahuje záruka).
- Aby nedošlo k poškození zařízení z důvodu kondenzace, nezakrývejte ho neprodyšně, ale použijte dodaný kryt pro zazimování.



## Údržba

- Zajistěte, aby žádná cizí tělesa neucpala ventilační mříž.
- Vyčistěte výparník pomocí jemného kartáče a proudem čisté vody (odpojte napájecí kabel).
- Vyčistěte potrubí pro odvod kondenzátu, abyste odstranili nečistoty, které by ho mohly ucpat.
- Zajistěte, aby ventilační mříž spínací skříňky byla čistá.
- Nepoužívejte vysokotlaký čistič. Nepoužívejte na zařízení dešťovou vodu, slanou vodu ani mineralizovanou vodu.
- Vyčistěte vnější část zařízení; nepoužívejte prostředky na bázi rozpouštědel. Můžete použít jako příslušenství speciální sadu na čištění – PAC NET.




- Nevypínejte napájení elektrickou energií, když je zařízení v chodu. Pokud dojde k přerušení dodávek elektrické energie, počkejte minutu, než opět zapnete přívod proudu do zařízení.
- Před jakoukoli údržbou, odstraněním poruch nebo před opravou vždy doporučujeme deaktivovat připojení k Wi-Fi modemu, aby nedocházelo k dálkovému ovládní zařízení.
- Doporučujeme provádět celkovou údržbu zařízení nejméně jednou ročně, čímž se zaručí jeho správné fungování, zachová si výkon a zabrání se případným poruchám. Tyto činnosti provádí technik na náklady uživatele.







Další podrobnosti o bezpečnostních pokynech týkajících se chladiva R32 a provádění údržby kvalifikovaným technikem naleznete v online příručce.



- Než budete v případě nějakého problému kontaktovat prodejce, proveďte jednoduché kontroly. Pokud problém přetrvává, obraťte se na svého prodejce.
-  činnosti vyhrazené pro kvalifikovaného technika.

### Chování zařízení

Zařízení nezačne ihned hřát	<ul style="list-style-type: none"> <li>• Když je průtok vody nulový nebo nedostatečný, zařízení se vypne: ověřte, zda voda správně proudí zařízením a zda je správně provedeno hydraulické připojení.</li> <li>• Zařízení se vypne, když venkovní teplota klesne pod <math>-7\text{ }^{\circ}\text{C}</math>.</li> </ul>
Ze zařízení vytéká voda	<ul style="list-style-type: none"> <li>• Abyste zkontrolovali, zda voda nepochází z průsaku z okruhu bazénu na zařízení, vypněte ho a zapněte filtrační čerpadlo, aby v zařízení cirkulovala voda. Pokud voda stále vytéká odvodou kondenzátu, dochází k úniku vody v zařízení: kontaktujte svého prodejce.</li> </ul>
Výparník je zamrzlý	<ul style="list-style-type: none"> <li>• Zařízení brzy spustí odmrazovací cyklus, aby led roztál.</li> <li>• Pokud se zařízení nepodaří výparník odmrazit, samo se vypne, protože venkovní teplota je příliš nízká (nižší než <math>-^{\circ}\text{C}</math>).</li> </ul>
Ze zařízení se kouří	<ul style="list-style-type: none"> <li>• Pokud zařízení neprovádí cyklus odmrazování, není to normální. Zařízení okamžitě vypněte, ihned ho odpojte a obraťte se na prodejce.</li> </ul>
Zařízení nefunguje	<ul style="list-style-type: none"> <li>•  Pokud se nic nezobrazuje, zkontrolujte napájecí napětí a pojistku F1.</li> <li>• Když je průtok vody nulový nebo nedostatečný, zařízení se vypne: ověřte, zda voda správně proudí zařízením.</li> </ul>
Ventilátor se otáčí, ale kompresor se občas zastaví bez chybového hlášení	<ul style="list-style-type: none"> <li>• Pokud je venkovní teplota nízká, zařízení provádí odmrazovací cykly.</li> <li>• Zařízení neodebere dostatečné množství tepla, protože výparník je zanesený nečistotami. Pro obnovení výkonnosti je nutné ho vyčistit.</li> </ul>
Zařízení funguje, ale teplota vody nestoupá	<ul style="list-style-type: none"> <li>• Provozní režim není dostatečně výkonný (zařízení je v režimu „SILENCE“ nebo „SMART“). Přepněte do režimu „BOOST“ a nastavte filtraci na manuálně 24/24, zatímco teplota stoupá.</li> <li>• Zkontrolujte, zda není automatický plnicí ventil zablokovaný v otevřené poloze, čímž se do bazénu nadále přivádí studená voda a zabraňuje se nárůstu teploty.</li> <li>• Dochází k příliš velkým tepelným ztrátám z důvodu studeného vzduchu. Zakryjte bazén izotermickou plachtou.</li> <li>• Zařízení neodebere dostatečné množství tepla, protože výparník je zanesený nečistotami. Pro obnovení výkonnosti je nutné ho vyčistit.</li> <li>•  Zkontrolujte, zda je zařízení správně dimenzováno pro daný bazén a jeho okolí.</li> </ul>
Zařízení vypíná jistič	<ul style="list-style-type: none"> <li>•  Zkontrolujte, zda je jistič řádně dimenzovaný a zda je použitý průřez kabelu odpovídající.</li> <li>•  Napájecí napětí je příliš nízké; kontaktujte svého dodavatele elektrické energie.</li> </ul>



Další podrobnosti o zobrazování chybových kódů, o významu signalizace kontrolky LED na desce plošných spojů a o schématech elektrického zapojení naleznete v online příručce.



Výkony: vzduch při 28 °C / voda při 28 °C / vlhkost při 80 %

		MD4	MD5	MD6
Výstupní výkon (max. – min. rychlost)	kW	11–3,1	14–4,4	16–4,7
Spotřeba energie (max. – min. rychlost)	kW	1,9–0,3	2,6–0,5	3,2–0,5
Průměrný COP (max. – min. rychlost)		5,8–10,3	5,4–8,8	5–9,4

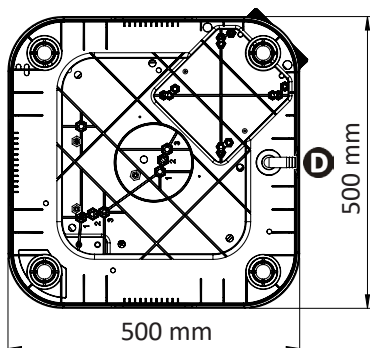
#### Technické specifikace

Provozní teplota	Vzduch	V režimu „ohřev“: od -7 do 35 °C V režimu „chlazení“: od 10 do 35 °C
	Voda	15 až 32 °C
Provozní tlak	Chladivo	2 až 42 bar (0,2 až 4,2 MPa)
	Voda	0 až 2 bar (0 až 0,2 MPa)
Elektrické napájení		220–240 V ~/1 fáze/50 Hz
Přípustné kolísání napětí		±6 % (za provozu)
Hydraulická připojení		2 spojky PVC Ø 40 2 redukce PVC Ø 40/50 2 spojky PVC 45° Ø 50
Typ chladicího média		R32
Stupeň krytí		IP24
Frekvenční pásma	GHz	2,400–2,497
Radiofrekvenční vysílací výkon	dBm	+19,5
Místo instalace		Interiér/Exteriér

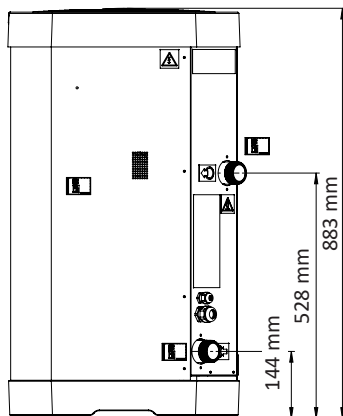
#### Technické specifikace

		MD4	MD5	MD6
Požadavek na jmenovitý elektrický proud	A	8	10,1	12,3
Požadavek na maximální elektrický proud	A	9,0	12,3	15,9
Minimální průřez kabelu*	mm <sup>2</sup>	3 × 2,5	3 × 2,5	3 × 2,5
Akustický výkon (max. – min.)	db(A)	70–64	71–63	73–65
Akustický tlak v 10 m (max. – min.)	db(A)	39–33	40–32	42–34
Doporučený průtok vody	m <sup>3</sup> /h	3,4	4,2	5
Náplň chladicího média	kg	0,7	0,85	0,95
	Ekv. Tun CO <sub>2</sub>	0,47	0,57	0,64
Přibližná hmotnost	kg	41	46	47

\* Orientační hodnoty pro maximální délku 20 metrů (výpočtový základ: NFC 15-100) je nutné ověřit a upravit podle podmínek instalace a norem příslušné země instalace.



Spodní strana



Zadní strana

**A**

Technická přístupová dvířka

**B**

Přívod bazénové vody

**C**

Výstup bazénové vody

**D**

Vypouštění kondenzátů

9

Symbole ve schématech elektrického zapojení



4.4 Schémata elektrického zapojení

Symbol	Popis	Symbol	Popis
A1	Elektronická řídicí karta	FS	Spínač průtoku
A2	Panel displeje (HMI)	V1–V2	Varistor
A4	Elektronická karta kompresoru	G/Y	Zelená/žlutá
CM	Kompresor	BLK	Černá
EEV	Elektronický expanzní ventil	BLU	Modrá
F1–F2	Pojistka	BRN	Hnědá
FAN	Motor ventilátoru	ORG	Oranžová
HP	Vysokotlaká ochrana	PNK	Růžová
ST1	Snímač teploty na vstupu vody	RED	Červená
ST2	Snímač teploty okolního vzduchu	GRY	Šedý
ST3	Snímač teploty cívky	BLK	Černá
ST4	Snímač teploty kapalinového potrubí	VLT	Fialová
ST5	Snímače teploty odtoku	WHT	Bílá
4WV	Čtyřcestný ventil	YEL	Žlutá



Pro přečtení štítku na schématech elektrického zapojení umístěného na zadní straně elektrické skříňky nahlédněte do této tabulky. Schémata elektrického zapojení jsou rovněž k dispozici v online příručce.





## UPOZORNENIA



Tento návod na používanie obsahuje len základné informácie o bezpečnostných opatreniach, ktoré je potrebné dodržiavať počas inštalácie, údržby a uvedenia do prevádzky. Kompletný návod na používanie si môžete prečítať a stiahnuť vo formáte PDF z webovej stránky: [www.zodiac.com](http://www.zodiac.com). Všetky montážne, elektroinštalčné a údržbárske práce musia vykonávať kvalifikovaní, oprávnení pracovníci, ktorí si pozorne prečítali tento návod na používanie. Vyhradzujeme si právo bez predchádzajúceho upozornenia upraviť všetky alebo časť vlastností našich výrobkov alebo obsah tohto dokumentu.



### ! VŠEOBECNÉ UPOZORNENIA

- Toto zariadenie je určené na špecifické použitie v bazénoch a kúpeľoch. Nesmie sa používať na žiadne iné účely, ako na tie, na ktoré bolo učené.
- Nedodržanie týchto upozornení by mohlo spôsobiť vážne škody na zariadení bazéna a závažné alebo dokonca smrteľné poranenia.
- Toto zariadenie nie je určené na to, aby ho používali osoby (vrátane detí) so zníženými fyzickými, zmyslovými alebo duševnými schopnosťami, alebo osoby, ktoré nemajú dostatok skúseností a znalostí, pokiaľ nie sú pod dohľadom osoby zodpovednej za ich bezpečnosť alebo im táto osoba v súvislosti s používaním zariadenia nedáva pokyny. Dohliadnite na to, aby sa so zariadením nehrali deti.
- Zariadenie môžu používať deti od 8 rokov a osoby so zníženými telesnými, zmyslovými alebo duševnými schopnosťami alebo osoby s nedostatkom vedomostí alebo skúseností, ak sú pod dozorom, alebo ak dostali pokyny pre bezpečné použitie zariadenia, a ak rozumejú príslušným rizikám. Deti sa s týmto zariadením nesmú hrať. Čistenie a údržbu, ktorú má vykonávať používateľ, nesmú vykonávať deti bez dozoru.
- Zariadenie sa musí inštalovať v súlade s pokynmi výrobcu a pri dodržaní platných miestnych a štátnych noriem.
- Naše výrobky možno namontovať a inštalovať len na bazény, ktoré sú v súlade s normami IEC/HD 60364-7-702 a platnými štátnymi predpismi. Inštalácia musí byť v súlade s normou CEI/HD 60364-7-702 a platnými štátnymi predpismi pre bazény. Ďalšie informácie vám poskytne miestny predajca.

### ! UPOZORNENIA TÝKAJÚCE SA ELEKTRICKÝCH ZARIADENÍ

- Elektrické napájanie zariadenia musí byť chránené diferenciálnym ističom 30 mA v súlade s normami a predpismi platnými v krajine inštalácie.
- Súčasťou výbavy nie je elektrický vypínač na odpojenie. V súlade s platnými štátnymi právnymi predpismi pridajte do upevňovacej elektroinštalácie zariadenie na odpojenie napájania minimálne kategórie OVC III.
- Ak je napájací kábel poškodený, musí ho vymeniť len výrobca, jeho oprávnený zástupca alebo opravovňa.

### ! UPOZORNENIA TÝKAJÚCE SA ZARIADENÍ OBSAHUJÚCICH CHLADIACI PROSTRIEDOK R32



- Toto zariadenie obsahuje chladiaci prostriedok R32, chladiaci prostriedok triedy A2L, ktorý sa považuje za potenciálne horľavý.
- Kvapalinu R32 nevypúšťajte do atmosféry. Ide o plyn s obsahom fluóru so skleníkovým efektom, na ktorý sa vzťahuje Kjótsky protokol a ktorý spôsobuje globálne otepľovanie (PRG) s hodnotou 675 (európske predpisy 517/2014/EÚ).
- Pri prvom v chode zariadenia alebo aspoň raz za rok je potrebné vykonať test na kontrolu, či nedochádza úniku z chladiaceho systému, aby boli splnené dôležité normy týkajúce sa životného prostredia a inštalácie, najmä vyhláška č. 2015-1790 a/alebo európske predpisy 517/2014/EÚ. Tento úkon musí vykonať odborník s osvedčením pre chladiace zariadenia
- Zariadenie musí byť skladované v miestnosti bez zdroja zapálenia (napríklad, otvorený oheň, spustený plynový spotrebič alebo elektrický ohrievač).
- Ďalšie informácie nájdete v bezpečnostných pokynoch pre zariadenia obsahujúce plyn R32 v rozšírenej verzii návodu na používanie, v ktorom je podrobne opísaná kontrola oblasti, pracovný postup, všeobecná pracovná oblasť kontrola prítomnosti chladiaceho prostriedku, kontrola prítomnosti hasiaceho prístroja, neprítomnosť zdroja zapálenia, vetranie oblasti, kontrola chladiaceho zariadenia, kontrola elektrických komponentov, oprava izolovaných komponentov, oprava vnútorných komponentov, elektroinštalácia, detekcia horľavého chladiaceho prostriedku, odobratie a vypustenie, postupy nabíjania a postup demontáže.

### ! INŠTALÁCIA A ÚDRŽBA

- Práce údržby alebo opravy zariadenia môže vykonávať len osoba kvalifikovaná v príslušnej technickej oblasti (elektrina, hydraulika alebo chladiarenstvo).
- Zariadenie sa nemôže inštalovať v blízkosti horľavých materiálov alebo prívodu vzduchu alebo susednej budovy.
- Počas fázy údržby zariadenia je potrebné skontrolovať zloženie a stav tepelnej kvapaliny a neprítomnosť zvyškov kvapaliny chladiacej kvapaliny.
- Počas každoročného testu vodotesnosti zariadenia v súlade s platnou legislatívou skontrolujte, či sú vysokotlakové a nízkotlakové spínače správne pripojené k chladiacemu okruhu a či v prípade vypnutia prerušujú elektrický okruh.
- Počas prác údržby zabezpečte, aby v okolí chladiacich komponentov neboli žiadne stopy korózie alebo oleja.
- Pred prácami na chladiacom okruhu vypnite zariadenie a pred inštaláciou snímačov teploty počkajte niekoľko minút. Niektoré prvky, ako je kompresor a potrubie, môžu dosiahnuť teplotu nad 100 °C a vysoký tlak, ktoré môžu spôsobiť vážne popáleniny.



## UPOZORNENIA



### ŠPECIFIKÁCIE CHLADIACEHO PROSTRIEDKU

#### Kontrola oblasti

- Toto zariadenie obsahuje chladiaci prostriedok R32, chladiaci prostriedok triedy A2L, ktorý sa považuje za potenciálne horľavý.
- Kvapalinu R32 nevypúšťajte do atmosféry. Ide o plyn s obsahom fluóru so skleníkovým efektom, na ktorý sa vzťahuje Kjótsky protokol a ktorý spôsobuje globálne otepľovanie (PRG) s hodnotou 675 (európske predpisy 517/2014/EÚ).
- Pri prvom v chode zariadenia alebo aspoň raz za rok je potrebné vykonať test na kontrolu, či nedochádza úniku z chladiaceho systému, aby boli splnené dôležité normy týkajúce sa životného prostredia a inštalácie, najmä vyhláška č. 2015-1790 a/alebo európske predpisy 517/2014/EÚ.
- Zariadenie musí byť skladované v miestnosti bez zdroja zapálenia (napríklad, otvorený oheň, spustený plynový spotrebič alebo elektrický ohrievač).
- Ďalšie informácie nájdete v bezpečnostných pokynoch pre zariadenia obsahujúce plyn R32 v rozšírenej verzii návodu na používanie, v ktorom je podrobne opísaná kontrola oblasti, pracovný postup, všeobecná pracovná oblasť kontrola prítomnosti chladiaceho prostriedku, kontrola prítomnosti hasiaceho prístroja, neprítomnosť zdroja zapálenia, vetranie oblasti, kontrola chladiaceho zariadenia, kontrola elektrických komponentov, oprava izolovaných komponentov, oprava vnútorných komponentov, elektroinštalácia, detekcia horľavého chladiaceho prostriedku, odobratie a vypustenie, postupy nabíjania a postup demontáže.

#### Pracovný postup

- Práce sa musia vykonávať podľa riadeného postupu, aby sa počas nich znížilo riziko prítomnosti horľavého plynu alebo výparov na minimum.

#### Pracovná oblasť vo všeobecnosti

- Pracovníci údržby a ďalšie osoby, ktoré pracujú v pracovnej oblasti musia byť informovaní o vykonávaných prácach. Je potrebné vyhnúť sa práci v stiesnených priestoroch.

#### Kontrola prítomnosti chladiaceho prostriedku

- Pred prácou a počas nej je potrebné oblasť skontrolovať vhodným detektorom chladiaceho prostriedku, aby bol technik upozornený na prítomnosť potenciálne toxického alebo horľavej atmosféry. Uistite sa, že použité zariadenie na zisťovanie úniku je vhodné na použitie so všetkými príslušnými chladiacimi prostriedkami, to znamená, že nemôže spôsobiť zapálenie, je správne izolované alebo dokonale spoľahlivé.

#### Kontrola prítomnosti hasiaceho prístroja

- Ak sa majú na chladiacom zariadení alebo akýchkoľvek súvisiacich častiach vykonávať práce, pri ktorých vzniká teplo, musí byť k dispozícii vhodné hasiace zariadenie. Práškový hasiaci prístroj alebo hasiaci prístroj CO2 musí byť prítomný v blízkosti pracovnej oblasti.

#### Žiadny zdroj zapálenia

- Osobám vykonávajúcim práce na chladiacom systéme, ktoré zahŕňajú vystavenie potrubiu, je zakázané používať zdroje zapálenia spôsobom, ktorý môže viesť k nebezpečenstvu požiaru alebo výbuchu. Všetky možné zdroje zapálenia, vrátane cigariet, musia byť v dostatočnej vzdialenosti od miesta inštalácie, opravy, demontáže a likvidácie, pri ktorej môže dôjsť k úniku chladiaceho prostriedku do okolitého priestoru. Pred začatím prác sa musí preskúmať okolie zariadenia, aby sa zabezpečilo, že nehrozí žiadne riziko vznietenia alebo zapálenia. Je povinné umiestnenie značiek „Zákaz fajčenia“.

#### Vetranie oblasti

- Pred každým prístupom k jednotke s cieľom vykonať údržbu sa uistite, že je oblasť otvorená a riadne vetraná. Počas údržby jednotky musí byť zabezpečené správne vetranie, ktoré umožňuje bezpečné rozptýlenie každého chladiaceho prostriedku, ktorý sa môže omylom uvoľniť do atmosféry.



#### INFORMÁCIE O RECYKLÁCI

- Informácie o recyklácii získate od svojho predajcu.

#### INFORMÁCIE O PRODUKTOCH S PRIPOJENÍM (podľa smernice RED)

##### Vyhlasenie o zhode

Spoločnosť Zodiac týmto vyhlasuje, že rádiové zariadenie typu Z350iQ je v súlade so smernicou 2014/53/EÚ. Úplné znenie európskeho vyhlásenia o zhode je k dispozícii na tejto webovej stránke: <https://www.zodiac-poolcare.com/>.

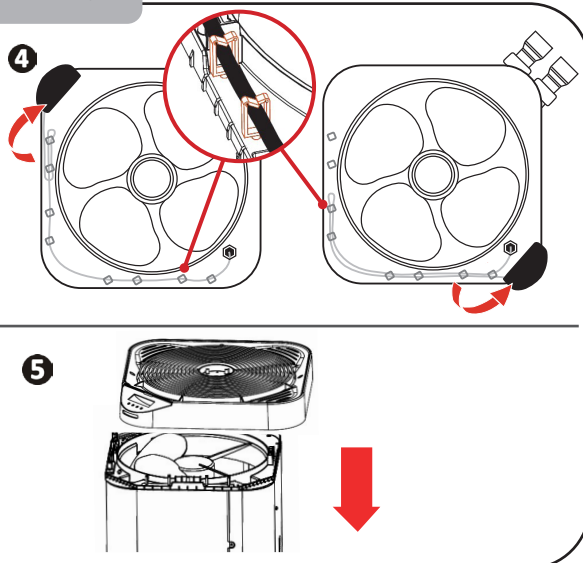
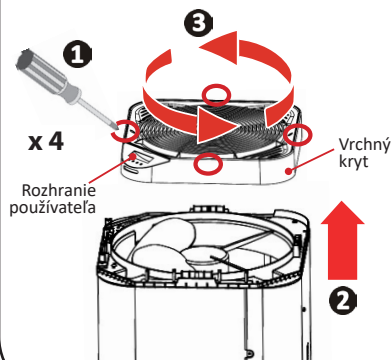
# 1 Inštalácia zariadenia



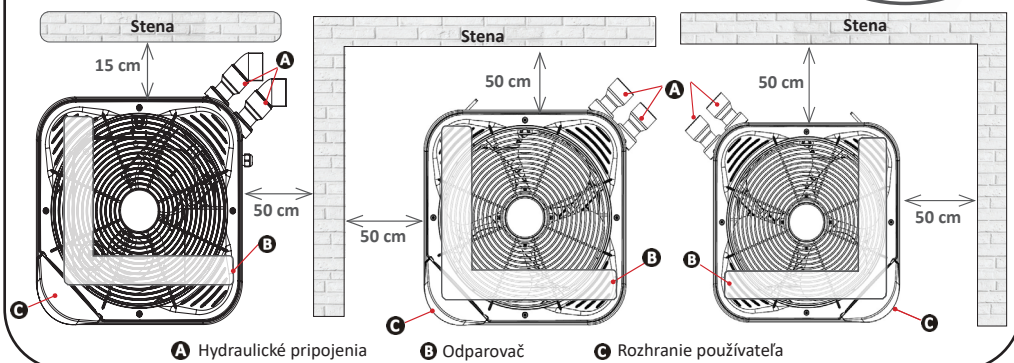
1 Inštalácia

Otočte vrchnú časť a používateľské rozhranie, ak je to potrebné

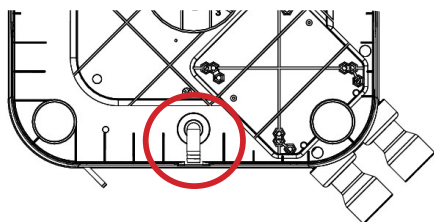
**UPOZORNENIE:** Zobrazovací panel (pod displejom) je káblom pripojený k ovládacímu panelu vo vnútri zariadenia. S horným krytom manipulujte opatrne, aby ste tento kábel nepoškodili.



Vyberte miesto hydraulické prípojky, ktoré najlepšie vyhovujú konfigurácii inštalácie



Vypustenie kondenzátu. Na drážkované koleno, ktoré sa namontuje pod základňu zariadenia, nainštalujte rúrku Ø18.



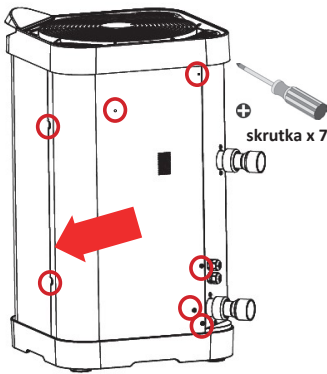
Viac informácií o bezpečnostných opatreniach pre inštaláciu a hydraulické pripojenia si prečítajte v online návode na používanie.



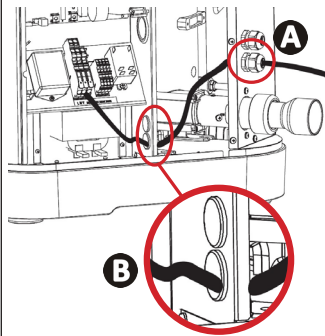
- Pred každým zásahom vo vnútri zariadenia vypnite elektrické napájanie zariadenia (hrozí riziko úrazu elektrickým prúdom). Napájací zdroj musí byť odpojený tak, aby ste mohli kedykoľvek z akéhokoľvek prístupného miesta skontrolovať, či je napájací zdroj odpojený. Ak to nie je možné, musíte zabezpečiť odpojenie pomocou uzamykacieho systému.
- Práce na elektrických káblových vedeniach a vymieňať napájací kábel smie realizovať iba kvalifikovaný a skúsený technik.
- Uistite sa, že sú skrutky svoriek správne utiahnuté (hrozí riziko požiaru). Nesprávne utiahnuté skrutky svoriek spôsobia stratu záruky.
- Elektrické napájanie neodpájajte, keď je zariadenie v prevádzke. Ak dôjde k prerušeniu elektrického napájania, pred opätovným obnovením prúdu počkajte jednu minútu.

### Pripojenie jednotky k zdroju napájania a príslušenstvu

1 Otvorte a odoberte.

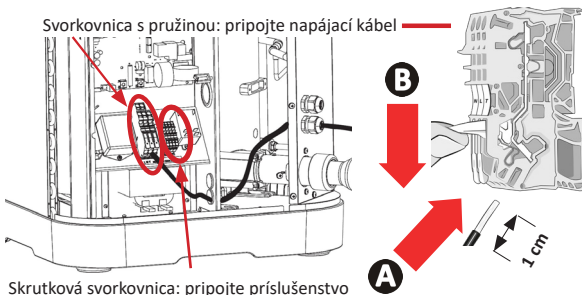


2 Preveďte napájací kábel.



3 Pripojte napájací kábel. Pripojenie príslušenstva: Káble nevedte cez rovnakú káblovú priechodku ako napájací kábel.

Svorkovnica s pružinou: pripojte napájací kábel



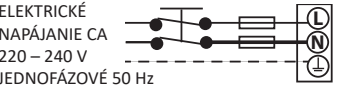
Skrutková svorkovnica: pripojte príslušenstvo

### Káble a ochrana káblov

Model	Elektrické napájanie	Maximálna intenzita	Priemer kábla*	Teplná magnetická ochrana
MD4	220 – 240 V 1 fáza 50 Hz	9,1	<ul style="list-style-type: none"> <li>• Typ H07RN-F</li> <li>• Priemer: od 13 do 18 mm</li> <li>• Min prierez kábla:               <ul style="list-style-type: none"> <li>- pre napájací kábel: 3 x 2,5 mm<sup>2</sup></li> <li>- pre napájací kábel: 2 x 0,75 mm<sup>2</sup></li> </ul> </li> </ul>	Krivka C alebo D 30 mA
MD5		10,8		
MD6		13,5		

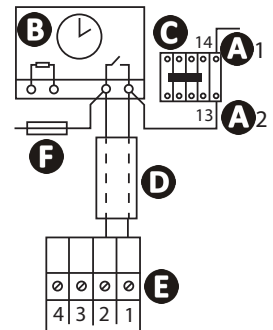
### Pripojenie zdroja elektrického napájania

ELEKTRICKÉ NAPÁJANIE CA  
220 – 240 V  
JEDNOFÁZOVÉ 50 Hz



— istič s oneskorením

### Pripojenie priority ohrevu

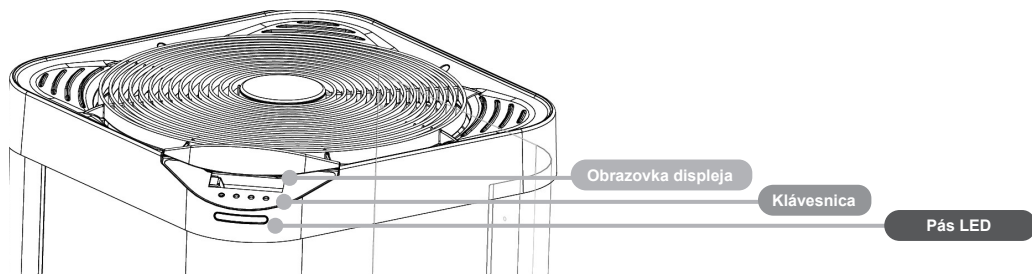


- A1 - A2:** napájanie cievky stykača filtračného čerpadla
- B:** časovač filtrácie
- C:** stykač (trojpoľárny alebo dvojpoľárny) filtračného čerpadla
- D:** samostatný kábel pre funkciu „priorita ohrevu“ (nie je súčasťou balenia)
- E:** svorkovnica tepelného čerpadla
- F:** poistka

### Pripojenie Diaľkové ovládanie „ZAPNUTIA/VYPNUTIA“



- A:** svorkovnica tepelného čerpadla
- B:** spínač „Zapnúť/Vypnúť“ (nie je súčasťou balenia)
- C:** samostatný pripájací kábel (nie je súčasťou balenia)



## Obrazovka displeja



## 3 režimy:

- BOOST (Zosilnený)
- SMART (Inteligentný)
- SILENCE (Tichý)

Nameraná teplota vody

## Pás LED (v predvolených nastaveniach zapnutý)

Ak ho chcete vypnúť, pozri stranu 4.

## Zelená – „Ohrev“

- Tepelné čerpadlo zohrieva vodu
- Bola dosiahnutá nastavená teplota

## Modrá – „Chladienie“

- Tepelné čerpadlo chladí vodu

## Červená – „Chyba“

- Prečítajte si online návod na používanie

## Klávesnica



- Zmena režimu
- Prístup do ponuky (stlačte a podržte)
- Potvrdenie (potvrďte)



- Navigácia
- Nastavenie hodnôt



- ON/OFF (ZAP/VYP) (stlačte a podržte)
- Späť

## Svetelné kontrolky

	Svieti	Bliká	Je zhasnuté
	Zamknutá klávesnica	-	Odomknutá klávesnica
	Správny prietok vody	Prietok vody je veľmi slabý alebo žiadny	-
	Označuje vybraný režim	-	-
	-	Teplota vzduchu mimo prevádzkového rozsahu	Teplota vzduchu v rámci prevádzkového rozsahu
°C °F	Zvolená jednotka teploty	-	-
	Pripojené Wi-Fi	Prebieha párovanie Wi-Fi	Nepripojené Wi-Fi

**Zamknutie/  
odomknutie  
klávesnice**

3 sekundy

**Určenie automatického uzamknutia** (aktivované v predvolených nastaveniach)Stlačte  
a podržte

až do „P19“



Potvrdiť

ON (aktivované)  
alebo OFF  
(deaktivované)

Potvrdiť

**Nastavenie nastavenej hodnoty teploty**Hodnotu nastavíte stlačením  
hlavného displejaZvýšenie alebo zníženie  
teplotyPotvrdenie (automatické po  
30 s nečinnosti)**Odporúčaná teplota: 28 °C**  
**Maximálna teplota: 32 °C****Aktivácia/deaktivácia režimu chladenia** (v predvolených nastaveniach je deaktivovaný)

Aktivácia režimu chladenia sa potvrdí 3 po sebe idúcimi modrými bliknutiami.

Držte stlačené, kým sa na  
displeji zobrazí „COOL“  
(chladenie).

Potvrdiť

ON (aktivované) alebo OFF  
(deaktivované)

Potvrdiť

**Výber režimov ohrevu**Tepelné čerpadlo má 3 aktívne prevádzkové režimy, ktoré mu  
umožňujú upraviť rýchlosť prevádzky podľa potreby výkonu  
a vybraného režimu.

- Režim „BOOST (Inteligentný)“
- Režim „SMART (Inteligentný)“
- Režim „SILENCE (Tichý)“

Na hlavnom displeji stlačte:  
indikátor ▶ sa zastaví  
pred jedným z 3 režimov**Deaktivácia pásu LED** (v predvolených nastaveniach zapnutý)Na hlavnom displeji  
stlačte a podržte:  
zobrazí sa displej „COOL  
(chladenie)“Na displeji sa zobrazí  
„LED“

Potvrdiť

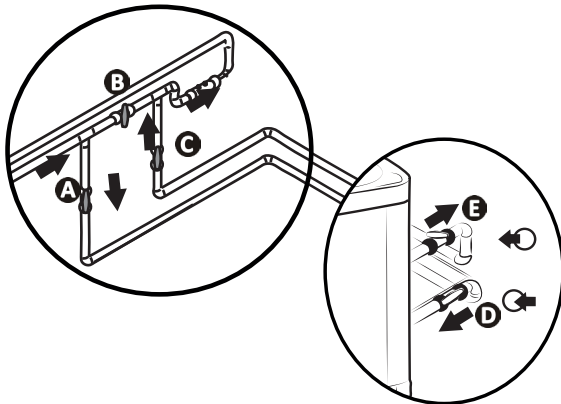
ON (aktivované)  
alebo OFF  
(deaktivované)

Potvrdiť


Viac informácií o prevádzkových režimoch  
a správaní pásu LED si prečítajte v online  
návoде na používanie.



## Otvorenie hydraulického okruhu

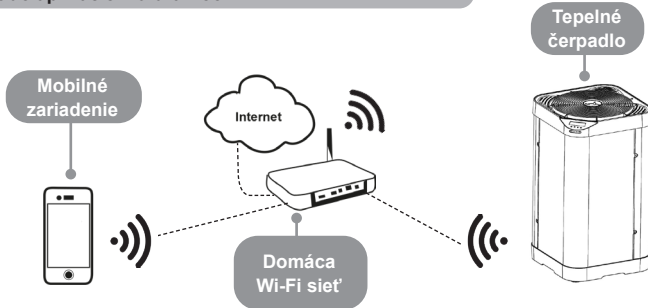


**UPOZORNENIE:** Nesprávne nastavenie obtoku môže spôsobiť nesprávne fungovanie tepelného čerpadla.

- Postupne zatvárajte ventil B.
- Úplne otvorte ventily A, C a D. Otvorte ventil E na polovicu (vzduch, ktorý sa nahradil v kondenzátore tepelného čerpadla a vo filtračnom okruhu sa uvoľní). Ak nie sú k dispozícii ventily D a E, úplne otvorte úplne ventil A a na polovicu zatvorte ventil C.
- Tepelné čerpadlo pripojte k zdroju elektrického napájania.
- Ak je tepelné čerpadlo v pohotovostnom stave, na 3 sekundy stlačte tlačidlo : zobrazí sa úvodný displej na 4 sekundy a potom sa zobrazí hlavný displej. Spustí sa 2-minútový časovač.
- Nastavte požadovanú teplotu.



## Návrat do aplikácie Fluidra Pool



Tepelné čerpadlo sa dá ovládať aj na diaľku pomocou smartfónu alebo tabletu cez aplikáciu Fluidra Pool dostupnej v systémoch iOS a Android. Pred pripojením k aplikácii Fluidra Pool:

- Je potrebné použiť smartfón alebo tablet s Wi-Fi.
- Je potrebné použiť sieť s Wi-Fi so signálom dostatočným na pripojenie k tepelnému čerpadlu: signál Wi-Fi musí byť dostupný na mieste, kde sa zariadenie používa. V opačnom prípade je potrebné zabezpečiť technické riešenie na zosilnenie existujúceho signálu.
- Zostaňte v blízkosti zariadenia a pripravte si heslo pre domácu sieť Wi-Fi.

Stiahnite si aplikáciu Fluidra Pool



Stlačte a podržte

Na displeji sa zobrazí text „bLE“

Otvorte aplikáciu a podľa krokov opísaných v aplikácii pridajte tepelné čerpadlo.



## Zimovanie

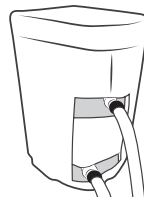


Stlačením a podržaním vypnite zariadenie

Odpojte elektrické napájanie

Zatvorte ventil A a C a otvorte ventil D a E (v prípade potreby)

Vypustite vodu z kondenzátora, aby ste zabránili riziku zamrznutia



Zakryte vetranou zimovacou mikro-krycou plachtou

- V prípade kompletného zimovania bazéna (kompletné vypnutie filtračného systému, vypustenie filtračného okruhu, vypustenie bazéna): zdvihnite obe prípojky o jednu otáčku, aby sa predišlo prieniku cudzieho telesa do kondenzátora.
- V prípade zimovania tepelného čerpadla samostatne (vypnite ohrev, filtrácia musí fungovať naďalej): neuťahujte prípojky, ale umiestnite 2 (je súčasťou balenia) uzávery na prívod a odtok vody z kondenzátora.
- Na tepelné čerpadlo umiestnite vetranú zimovaciu mikro-krycou plachtou (je súčasťou balenia) tak, aby hydraulické prípojky prechádzali otvorom, ktorý je na to určený. Nie je potrebné odpájať elektrické a hydraulické prípojky.



- Zazimovanie je nevyhnutné, aby sa zabránilo poškodeniu kondenzátora v dôsledku mrazu (na mraz bez zazimovania sa nevzťahuje záruka).
- Zariadenie neprikrývajte hermeticky, aby sa predišlo poškodeniu zariadenia kondenzáciou, použite zimovaciu kryciu plachtu, ktorá je súčasťou balenia.



## Údržba

- Skontrolujte, či nie je vetracia mriežka zablokovaná cudzími predmetmi.
- Odparovač očistite pomocou kefy s mäkkými štetinami a jemným prúdom vody (odpojte napájací kábel).
- Vyčistite potrubie na odvod kondenzátu, aby ste odstránili všetky nečistoty, ktoré by ho mohli zablokovať.
- Skontrolujte, či je vetracia mriežka spínacej skrinky čistá.
- Nepoužívajte vysokotlakový prúd. Nestriekajte dažďovú vodu, slanú vodu alebo vodu obsahujúcu minerály.
- Vyčistite vonkajšiu časť zariadenia. Nepoužívajte prostriedky na báze rozpúšťadiel. Môžete použiť špeciálnu čistiacu súpravu: PAC NET.




- Elektrické napájanie neodpájajte, keď je zariadenie v prevádzke. Ak dôjde k prerušeniu elektrického napájania, pred opätovným zapnutím zariadenia počkajte jednu minútu.
- Pred každým servisným úkonom, odstraňovaním problémov alebo opravou sa odporúča deaktivovať pripojenie Wi-Fi modemu, aby sa predišlo riziku diaľkového ovládania zariadenia.
- Odporúča sa aspoň raz ročne vykonať všeobecnú údržbu, aby sa zabezpečila jeho správna prevádzka, zachoval jeho výkon a predišlo sa prípadným poruchám. Tieto úkony vykoná technik na náklady používateľa



Podrobné informácie o bezpečnostných pokynoch týkajúcich sa chladiaceho prostriedku R32 a o údržbe, ktorú musí vykonávať kvalifikovaný technik, nájdete v online návode na používanie.





- Skôr ako sa v prípade problému obrátite na predajcu, vykonajte niekoľko jednoduchých kontrol. Ak sa problém nevyrieši, kontaktujte svojho predajcu.
- : Úkony musí vykonávať kvalifikovaný technik, nájdete v online návode na používanie.

## Správanie sa zariadenia

Zariadenie sa nespustí okamžite.	<ul style="list-style-type: none"> <li>• Keď je prietok vody nulový alebo nedostatočný, zariadenie sa vypne: skontrolujte, či je obeh vody v zariadení správny a či sú hydraulické prípojky správne pripojené.</li> <li>• Zariadenie sa zastaví, keď vonkajšia teplota klesne pod <math>-7^{\circ}\text{C}</math>.</li> </ul>
Zariadenie vystrekuje vodu	<ul style="list-style-type: none"> <li>• Ak chcete na zariadení overiť, či voda nepochádza z úniku okruhu bazéna, vypnite a zapnite filtračné čerpadlo, aby sa aktivoval obeh vody v zariadení. Ak i naďalej vyteká cez voda odtokové potrubie kondenzátu, dochádza k úniku vody zo zariadenia: kontaktujte predajcu.</li> </ul>
Odparovač je zamrznutý	<ul style="list-style-type: none"> <li>• Zariadenie čoskoro zapne odmrazovací cyklus za účelom roztopenia ľadu.</li> <li>• Ak zariadenie nedokáže odmraziť odparovač, samo sa vypne. Znamená to, že vonkajšia teplota je príliš nízka (pod <math>-^{\circ}\text{C}</math>).</li> </ul>
Zo zariadenia sa „parí“	<ul style="list-style-type: none"> <li>• Ak zariadenie nie je v cykle odmrazovania, nie je to normálne. Okamžite zariadenie vypnite, odpojte ho zo zdroja napájania a kontaktujte predajcu.</li> </ul>
Zariadenie nefunguje	<ul style="list-style-type: none"> <li>•  Ak displej nesvieti, skontrolujte napájacie napätie a poistku F1.</li> <li>• Keď je prietok vody nulový alebo nedostatočný, zariadenie sa vypne: skontrolujte, či je obeh vody v zariadení správny.</li> </ul>
Ventilátor funguje ale kompresor sa občas vypne bez chybového hlásenia	<ul style="list-style-type: none"> <li>• Ak je vonkajšia teplota nízka, zariadenie vykoná cykly odmrazovania.</li> <li>• Zariadenie nedokáže zachytiť dostatok kalórií, pretože jeho odparovač je zanesený. Vyčistite ho, aby sa obnovil jeho výkon.</li> </ul>
Zariadenie funguje ale teplota vody sa nezvyšuje	<ul style="list-style-type: none"> <li>• Prevádzkový režim nie je dosť výkonný (zariadenie je v režime „ECOSILENCE“ (Eko-tichý) alebo „SMART“ (Inteligentný)). Prejdite do režimu „BOOST“ (Zosilnený) a filtráciu prepnite do manuálnej prevádzky 24/24, aby sa teplota zvýšila.</li> <li>• Skontrolujte, či ventil automatického plnenia nie je zablokovaný v otvorenej polohe. Bude tak naďalej privádzať studenú vodu do bazéna a tým brániť zvyšovaniu teploty.</li> <li>• Teplo sa výrazne stráca, pretože vzduch je studený. Na bazén nainštalujte tepelne izolačnú kryciu plachtu.</li> <li>• Zariadenie nedokáže zachytiť dostatok kalórií, pretože jeho odparovač je zanesený. Vyčistite ho, aby sa obnovil jeho výkon.</li> <li>•  Skontrolujte, či je veľkosť zariadenia vhodná pre daný bazén a prostredie.</li> </ul>
Zariadenie vypne istič.	<ul style="list-style-type: none"> <li>•  Skontrolujte, či je istič správne dimenzovaný a či je použitý správny prierez kábla.</li> <li>•  Napätie napájania je veľmi nízke: kontaktujte svojho dodávateľa elektrickej energie.</li> </ul>



Podrobné informácie o zobrazovaní chybových kódov, správaní kontroliek LED, na doske s plošnými spojmi a schémach zapojenia nájdete v online návode na používanie.



Výkon: vzduch pri 28 °C/voda pri 28 °C/vlhkosť 80 %

		MD4	MD5	MD6
Výstupný výkon (max. – min. rýchlosť)	kW	11 – 3,1	14 – 4,4	16 – 4,7
Spotrebovaný výkon (max. – min. rýchlosť)	kW	1,9 – 0,3	2,6 – 0,5	3,2 – 0,5
Priemerné CdP (max. – min. rýchlosť)		5,8 – 10,3	5,4 – 8,8	5 – 9,4

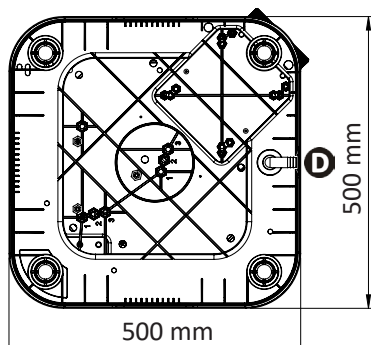
## Technické špecifikácie

Prevádzková teplota	Vzduch	V režime „ohrev“: od -7 do 35 °C V režime „chladenia“: od 10 do 35 °C
	Voda	15 °C až 32 °C
Prevádzkový tlak	Chladiaci prostriedok	od 2 do 42 bar (od 0,2 do 4,2 MPa)
	Voda	od 0 do 2 bar (od 0 do 0,2 MPa)
Elektrické napájanie		220 – 240 V~/1 fáza/50 Hz
Prípustné variácie napätia		±6 % (počas prevádzky)
Hydraulické pripojenia		2 PVC prípojky Ø 40 2 PVC redukcie Ø 40/50 2 PVC 45° prípojky Ø 50
Typ chladiacej kvapaliny		R32
Index ochrany		IP24
Frekvenčné pásma	GHz	2,400 - 2,497
Výkon rádiovýfrekvenčného vyžarovania	dBm	+19,5
Miesto používania		Vnútri/vonku

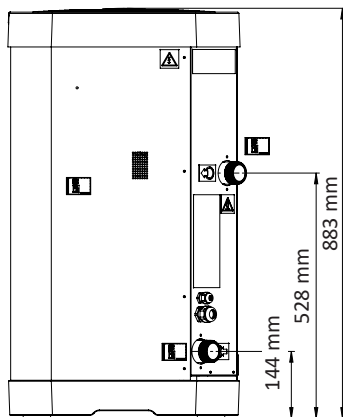
## Technické špecifikácie

		MD4	MD5	MD6
Požiadavka na nominálny elektrický prúd	A	8	10,1	12,3
Požiadavka na maximálny elektrický prúd	A	9,0	12,3	15,9
Min prierez kábla*	mm <sup>2</sup>	3x2.5	3x2.5	3x2.5
Akustický výkon (max. – min.)	db (A)	70 – 64	71 – 63	73 – 65
Akustický tlak pri 10 m (max – min)	db (A)	39 – 33	40 – 32	42 – 34
Odporúčaný prietok vody	m <sup>3</sup> /h	3,4	4,2	5
Plnenie chladiacej kvapaliny	kg	0,7	0,85	0,95
	Ekvivalent Ton CO2	0,47	0,57	0,64
Približná hmotnosť	kg	41	46	47

\* Hodnoty sú uvedené na informačné účely pre maximálnu dĺžku 20 metrov (základ výpočtu: NFC15-100) a musia sa overiť a upraviť podľa inštalčných podmienok a noriem krajiny, kde sa inštalácia realizovala.



Dno



Zadný

**A**

Technické prístupové dverka

**B**

Prívod vody do bazéna

**C**

Odtok vody z bazéna

**D**

Vypúšťanie kondenzátu

9

Symbole schémy zapojenia



4.4 Schémy zapojenia

Symbol	Popis	Symbol	Popis
A1	Karta elektronickej regulácie	FS	Prepínač prietoku
A2	Zobrazovací panel (HMI)	V1 – V2	Varistor
A4	Elektronická karta kompresora	G/Y	Zelená/žltá
CM	Kompresor	BLK	Čierna
EEV	Elektronický expanzný ventil	BLU	Modrá
F1 – F2	Poistka	BRN	Hnedá
FAN	Motor ventilátora	ORG	Oranžová
HP	Spínač vysokého tlaku	PNK	Ružová
ST1	Sonda teploty prívodu vody	RED	Červená
ST2	Snímač teploty okolia	GRY	Sivá
ST3	Snímač teploty cievky	BLK	Čierna
ST4	Snímač vedenia kvapaliny	VLT	Fialová
ST5	Snímač teploty vypúšťania	WHT	Biela
4WV	4-cestný ventil	YEL	Žltá



Na základe tejto tabuľky interpretujte štítok so schémou zapojenia na zadnej strane elektrickej skrinky. Schémy zapojenia sú k dispozícii aj v online návode na používanie.



يحتوي هذا الدليل فقط على المعلومات الأساسية حول تدابير السلامة التي يتم اتخاذها أثناء التركيب والصيانة والتشغيل. يمكن قراءة الدليل الكامل وتحميله بصيغة PDF من على موقع الإنترنت: [www.zodiac.com](http://www.zodiac.com). يجب تنفيذ كل أعمال التركيب والتركيبات الكهربائية والصيانة بمعرفة عاملين مؤهلين ومعتمدين وقاموا بقراءة هذا الدليل بعناية. ونحتفظ بالحق في تعديل مواصفات منتجاتنا أو محتوى هذه الوثيقة كلياً أو جزئياً بدون إشعار مسبق.



### تنبيهات عامة

- الجهاز مخصص للاستخدام في أحواض السباحة والنوادي الصحية لغرض معين؛ ويجب عدم استخدامه لأغراض أخرى بخلاف تلك الأغراض التي صُمم من أجلها.
- مراعاة هذه التنبيهات قد يتسبب في حدوث تلف جسيم لمعدات حوض السباحة أو التسبب في حدوث إصابات خطيرة وربما الوفاة.
- هذا الجهاز غير مخصص لأن يستخدمه أشخاص (بما في ذلك الأطفال) ذوو قدرات بدنية أو حسية أو عقلية منخفضة أو الذين يفتقرون إلى الخبرة والمعرفة، إلا في حالة وجود إشراف أو تلقي نصيحة بشأن استخدام الجهاز من شخص مسؤول عن سلامتهم. يجب مراقبة الأطفال للتأكد أنهم لا يعيثون بالجهاز.
- يمكن للأطفال من سن الثامنة فما فوق استخدام هذا الجهاز، وأيضاً للأشخاص ذوي القدرات البدنية والحسية والذهنية المنخفضة، وللأشخاص الذين يفتقرون إلى الخبرة والمعرفة، في حالة وجود إشراف أو تعليمات تخص استخدام الجهاز بصورة آمنة، وأنهم يدركون الأخطار التي قد تحدث. ينبغي ألا يعطى الأطفال بهذا الجهاز. يجب ألا يتم التنظيف والصيانة بواسطة المستخدم من قبل الأطفال دون الخضوع للإشراف.
- يجب تركيب الجهاز وفقاً لتعليمات الشركة المصنعة مع مراعاة اللوائح المحلية والوطنية.
- يمكن لجميع تركيب منتجنا وتركيبها فقط في أحواض السباحة المتوافقة مع المعيار CEI/HD 60364-7-702 ومع القواعد الوطنية المطبقة. يجب أن يكون التركيب مطابقاً للمعيار رقم CEI/HD 60364-7-702 وللقوانين الوطنية المطبقة على أحواض السباحة. استشر الوكيل المحلي لمزيد من المعلومات.

### تنبيهات مرتبطة بالأجهزة الكهربائية

- يجب أن يتم حماية إمداد الجهاز بالتيار الكهربائي بواسطة قاطع تيار تفاضلي مخصص سعة 30 ملي أمبير، متوافق مع المعايير واللوائح المعمول بها في بلد التركيب.
- الجهاز لا يشمل مفتاح تحويل كهربائياً للفصل. إضافة جهاز فصل التيار في توصيلات كوابل التثبيت من الفئة OVC III على الأقل، وفقاً للقوانين الوطنية المطبقة.
- إذا كان كابل الكهرباء تالفاً، يجب استبداله فقط بمعرفة المصنع أو وكيل معتمد أو ورشة إصلاح.



### تنبيهات تخص الأجهزة التي تحتوي على غاز التبريد R32

- يحتوي هذا الجهاز على غاز التبريد R32، وهو مادة تبريد من الفئة A2L، والتي يُحتمل أن تكون قابلة للاشتعال.
- لا تقم بالبقاء السائل R32 في الجو. هذا السائل هو من الغازات المفلورة المسببة للاحتباس الحراري، والتي تخضع لبروتوكول كيوتو، وله احتمالية احتراق عالمي (PRG) بمقدار 675 (اللائحة الأوروبية 517/2014 EU).
- من أجل الامتثال للمعايير واللوائح المطبقة في شأن البيئة والتركيب، لا سيما القرار رقم 1790-2015 و/ أو اللائحة الأوروبية 517/2014 EU، يجب إجراء فحص للكشف عن التسريبات في دائرة التبريد أثناء التشغيل للمرة الأولى ومرة واحدة على الأقل في السنة. يجب أن يتم هذا الإجراء من قبل متخصص معتمد في اختبار أجهزة التبريد.
- يجب وضع الجهاز في غرفة بدون مصدر شرارة دائم (على سبيل المثال، اللهب المكشوف أو جهاز تدفئة قيد التشغيل يعمل بالغاز أو بالكهرباء).
- لمزيد من المعلومات، راجع تعليمات السلامة الخاصة بالأجهزة التي تحتوي على الغاز R32 في نسخة الدليل المفصل، والتي يوجد فيها ما يخص اختبار المنطقة وإجراء العمل ومنطقة العمل العامة وفحص وجود فتاحة حريق، وعدم وجود مصدر لهب وتهوئة المنطقة وفحص معدات غاز التبريد وفحص المكونات الكهربائية وإصلاح المكونات المعزولة وإصلاح المكونات مأمونة الاستعمال وتوصيل الكوابل واكتشاف غاز التبريد القابل للاشتعال والسحب والتفريغ وإجراءات الشحن والفق.

### التركيب والصيانة

- الشخص المؤهل في المجالات التقنية المعنية (الكهرباء أو المياه أو التبريد) هو وحده المخوّل بالقيام بأعمال تركيب الجهاز أو صيانته أو إصلاحه.
- يجب عدم تركيب الجهاز بالقرب من الخامات القابلة للاشتعال أو من أنبوب مدخل هواء لمبنى مجاور.
- أثناء صيانة الجهاز، افحص المكونات وحالة سائل نقل الحرارة، وكذلك عدم وجود أي أثر لسائل التبريد.
- أثناء الفحص السنوي للكشف عن التسرب في الجهاز، وفقاً للقوانين السارية، تحقق من أن مفاتيح الضغط العالي والمنخفض مثبتة بشكل صحيح في دائرة التبريد وأنها تغطي الدائرة الكهربائية في حالة الإطلاق.
- خلال أعمال الصيانة، ينبغي التأكد من عدم وجود آثار للتآكل أو زيت حول المكونات الخاصة بالتبريد.
- قبل البدء في العمل على دائرة التبريد، أوقف الجهاز وانتظر عدة دقائق قبل رفع مستشعرات الحرارة والضغط. يمكن أن ترتفع درجة حرارة بعض العناصر، مثل الضاغط والأنابيب، إلى درجات حرارة تزيد عن 100 درجة مئوية وضغط عالٍ، مع وجود خطر حدوث حروق خطيرة ناتجة عن ذلك.



### فحص المنطقة

- يحتوي هذا الجهاز على غاز التبريد R32، وهو مادة تبريد من الفئة A2L، والتي يُحتمل أن تكون قابلة للاشتعال.
- لا يتم بإلقاء السائل R32 في الجو. هذا السائل هو من الغازات المفلورة المسببة للاحتباس الحراري، والتي تخضع لبروتوكول كيوتو، وله احتمالية احتراق عالمي (PRG) بمقدار 675 (اللائحة الأوروبية 517/2014 EU).
- من أجل الامتثال للمعايير واللوائح المطبقة في شأن البيئة والتركيب، لا سيما القرار رقم 1790-2015 و/ أو اللائحة الأوروبية 517/2014 EU، يجب إجراء فحص للكشف عن التسريبات في دائرة التبريد أثناء التشغيل للمرة الأولى ومررة واحدة على الأقل في السنة. يجب أن يتم هذا الإجراء من قبل متخصص معتمد في اختبار أجهزة التبريد.
- يجب وضع الجهاز في غرفة بدون مصدر شرارة دائم (على سبيل المثال، اللهب المكشوف أو جهاز تدفئة قيد التشغيل يعمل بالغاز أو بالكهرباء).
- لمزيد من المعلومات، راجع تعليمات السلامة الخاصة بالأجهزة التي تحتوي على الغاز R32 في نسخة الدليل المفصل، والتي يوجد فيها ما يخص اختبار المنطقة وإجراء العمل ومنطقة العمل العامة وفحص وجود طفالية حريق، وعدم وجود مصدر لهب وتهوية المنطقة وفحص معدات غاز التبريد وفحص المكونات الكهربائية وإصلاح المكونات المعزولة وإصلاح المكونات مأمونة الاستعمال وتوصيل الكابلات واكتشاف غاز التبريد القابل للاشتعال والسحب والتفريغ وإجراءات الشحن والفك.

### إجراءات العمل

- يجب أن يتم العمل وفقاً لإجراءات خاضعة للرقابة من أجل تقليل خطر وجود غاز أو أبخرة قابلة للاشتعال أثناء تنفيذ العمل.

### منطقة العمل العامة

- يجب إخبار موظفي الصيانة وغيرهم من العاملين في المنطقة بطبيعة الأعمال المراد إنجازها. يجب تجنب العمل في الأماكن المغلقة.

### فحص وجود مادة التبريد

- يجب فحص المنطقة بواسطة كاشف مادة التبريد المناسب قبل العمل وأثناءه، للتأكد من تنبيه الفني الأجواء التي قد تكون سامة أو قابلة للاشتعال. تأكد أن معدات الكشف عن التسرب المستخدمة مناسبة للاستخدام مع جميع مواد التبريد المعنية، أي أنها لا تتسبب في حدوث الشرر، وأنها معزولة بشكل صحيح أو آمنة تماماً.

### فحص وجود طفالية حريق

- في حالة تنفيذ بعض الأعمال التي قد تتسبب في ارتفاع درجة الحرارة لمعدات مواد تبريد أو أي قطعة مرتبطة بها، فيجب توفير معدات إطفاء الحريق المناسبة بحيث تكون في متناول اليد. يجب وجود طفالية حريق تعمل بالمسحوق الجاف أو بيثاني أكسيد الكربون على مقربة من منطقة الشحن.

### عدم وجود مصدر لهب

- يحظر على أي شخص يقوم بعمل على نظام التبريد بنظوي على التعامل مع الأنابيب أن يستخدم مصادر لهب بطريقة قد تؤدي إلى خطر نشوب حريق أو انفجار. يجب إبقاء جميع مصادر اللهب الممكنة، بما في ذلك السجائر، بعيدة بما فيه الكفاية عن موقع التركيب أو الإصلاح أو السحب أو التخلص، حيث يحتمل انبعاث سائل التبريد في المكان المحيط. قبل بدء العمل، يجب فحص المنطقة المحيطة بالمعدات للتأكد من أنه لا يوجد مخاطر أشياء قابلة للاشتعال أو مخاطر اللهب. يجب تعليق لافتات "ممنوع التدخين".

### تهوية مكان العمل

- قبل الوصول إلى الوحدة بأي شكل من الأشكال لإجراء صيانة ما، يجب التأكد أن المنطقة مفتوحة وبها تهوية صحيحة. يجب المحافظة على التهوية المناسبة أثناء العناية بالوحدة للسماح بالتشتت الآمن لأي مادة تبريد يمكن أن تتسرب عن طريق الخطأ في الأجواء.



- اتصل بالوكيل للحصول على معلومات بشأن إعادة التدوير.

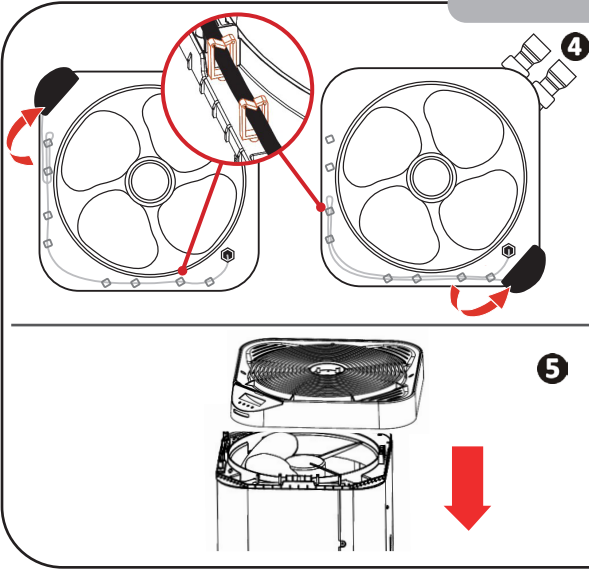
## معلومات عن المنتجات والتوصيل الإنترنت (حسب التوجيه رقم RED)

### بيان المطابقة

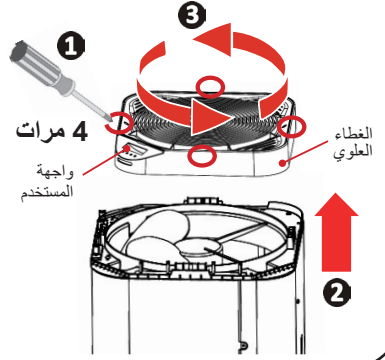
تعلن شركة Zodiac، بموجب هذا الإقرار، أن المعدات اللاسلكية من طراز Z350iQ متوافقة مع التوجيه 517/2014 EU. النص الكامل لبيان المطابقة الأوروبي متاح على العنوان التالي: <https://www.zodiac-poolcare.com/>.



قم بتدوير الجزء العلوي وواجهة المستخدم إذا لزم الأمر

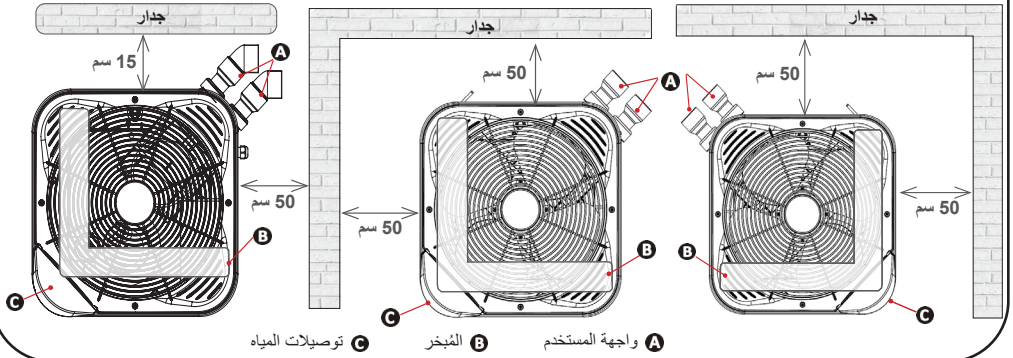


⚠️ انتبه: لوحة العرض (أسفل شاشة العرض) موصلة بأسلاك بلوحة التحكم داخل الوحدة. تعامل مع الغطاء العلوي بحماية لتجنب إتلاف هذا الكابل.



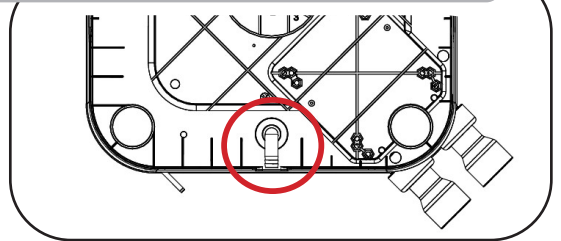
### اختر الموضع

ووصلات المياه التي تناسب بشكل أفضل تهيئة التركيب



تفريغ نواتج التكتف قم بتركيب أنبوب قطر 18 بوصة على الكوع المحرز يتم تركيبه أسفل قاعدة الجهاز.

راجع الدليل عبر الإنترنت لمزيد من التفاصيل على احتياطات التركيب وتوصيلات المياه.

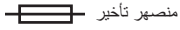
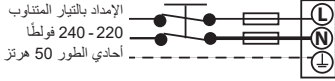




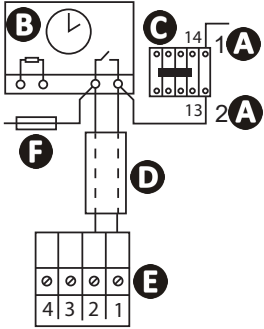
- أقطع التيار الكهربائي قبل التعامل داخل الجهاز (خطر حدوث صدمة كهربائية). قطع التيار الكهربائي يجب أن يتم بحيث يمكن دائما التحقق، من أي نقطة تصل إليها، أن التيار الكهربائي لا يزال مقطوعاً. إذا لم يكن هذا ممكناً، يجب عليك توفير فصل التيار مع نظام قفل.
- وحده الفني المؤهل الخبير هو المخول بتنفيذ توصيل الأسلاك في الجهاز أو استبدال كابل الطاقة.
- يجب التأكد من إحكام ربط مسامير الأقطاب (خطر حدوث حريق). براغي الأقطاب غير المشدودة جيدا تلغي الضمان.
- يجب عدم فصل التيار الكهربائي أثناء تشغيل الجهاز. في حالة انقطاع التيار الكهربائي، انتظر دقيقة واحدة قبل إعادة التيار.



التوصيل بالتيار الكهربائي

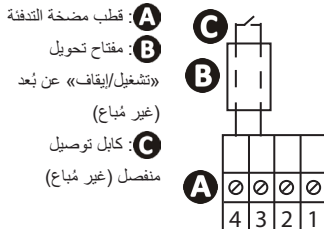


توصيل أولوية التدفئة



- 1- (A) إمداد ملف مفتاح مضخة الترشيح بالتيار  
 (B) مؤقت الترشيح  
 (C) مفتاح (ثلاثي الأقطاب أو ثنائي) لمضخة الترشيح  
 (D) كابل منفصل لوظيفة «أولوية التسخين» (غير مُباع)  
 (E) قطب مضخة التدفئة  
 (F) مصهر

توصيل « التشغيل / الإيقاف » عن بُعد



قم بتوصيل الوحدة بالتيار الكهربائي وبالمحطات

1 افتح واسحب.

2 مرر كابل الكهرباء.

3 قم بتوصيل كابل الكهرباء. لتوصيل المحطات: لا تقم بتمرير الكابلات بنفس وصلة المسبكة كابل الطاقة.

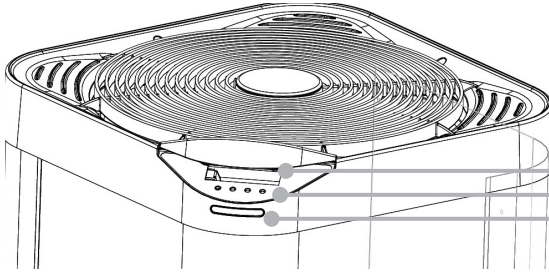
قطب بنايخ: توصيل كابل التيار

قطب بير غي: توصيل المحطات

توصيل الكابلات وحمايتها

الطراز	التيار الكهربائي	القصى الشدة	قطر الكابل*	حماية مغناطيسية حرارية
MD4	240 - 220 فولت 1 طور 50 هرتز	9.1	• طراز H07RN-F • القطر: ما بين 13 و 18 مم • القطع الأخرى للكابل: • بالنسبة لكابلات الكهرباء: 3 × 2.5 • بالنسبة لكابلات المحطات: 2 × 0.75	منحني C أو D 30 ملي أمبير
MD5		10.8		
MD6		13.5		

\* قطع الكابل المناسب لأقصى طول وهو 20 متراً.



شاشة العرض

لوحة مفاتيح

شريط LED

شريط الليد (مضاء بشكل افتراضي)  
لإطفائه، انظر الصفحة 4

- أخضر - "التدفئة"
- تقوم المضخة الحرارية بتدفئة الماء
- تم بلوغ نقطة ضبط الحرارة

- أزرق - "التبريد"
- تقوم المضخة الحرارية بتبريد الماء

- أحمر - "عطل"
- انظر الدليل عبر شبكة الإنترنت

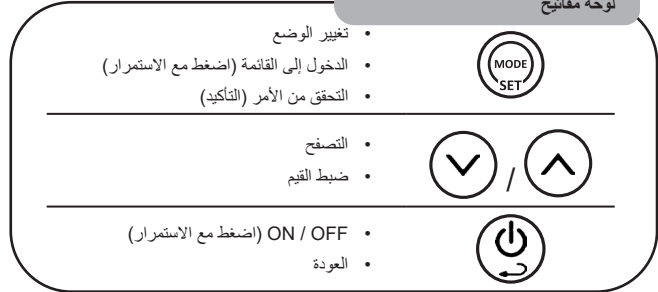
شاشة العرض



- 3 أوضاع:
- BOOST
- SMART
- SILENCE

درجة حرارة  
الماء المقاسة

لوحة مفاتيح



- تغيير الوضع
- الدخول إلى القائمة (اضغط مع الاستمرار)
- التحقق من الأمر (التأكيد)

- التصفح
- ضبط القيم

- ON / OFF (اضغط مع الاستمرار)
- العودة

لمبات بيان مضبوطة

منطفئ	يومض	ثابت	
لوحة المفاتيح غير مغلقة	-	لوحة المفاتيح مغلقة	
-	تدفق الماء ضعيف جدًا أو منعدم	معدل دفق الماء صحيح	
-	-	يشير إلى الوضعية المختارة	
درجة حرارة الهواء داخل نطاق التشغيل	درجة حرارة الهواء خارج نطاق التشغيل	-	
-	-	وحدة الحرارة المختارة	درجة مئوية
-	-	درجة حرارة المصفاة	درجة فهرنهايت
غير مُتصل بشبكة الواي فاي	جارٍ الاقتران بالواي فاي	مُتصل بشبكة الواي فاي	





### تحديد الغلق التلقائي (مُفعل بشكل افتراضي)



### قفل / فك قفل لوحة المفاتيح



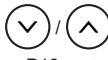
التأكيد



ON (مُفعل) أو OFF (غير مُفعل)



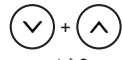
التأكيد



حتى « P19 »



اضغط مع الاستمرار



3 نوان

### ضبط نقطة ضبط درجة الحرارة

درجة الحرارة الموصى بها: 28 °C  
درجة الحرارة القصوى: 32 °C

التأكيد (تلقائي في حالة مرور 30 ثانية بدون استخدام)



رفع درجة الحرارة أو تقييلها



من الشاشة الرئيسية، اضغط لضبط القيمة

### تفعيل / إيقاف تفعيل وضع التبريد (غير مُفعل بشكل افتراضي)



يتم تأكيد تنشيط وضع التبريد من خلال 3 مضفات زرقاء متتالية.



التأكيد



ON (مُفعل) أو OFF (غير مُفعل) /



التأكيد



اضغط مطولاً حتى يظهر على الشاشة « COOL ».

### اختيار أوضاع التدفئة



يوجد في المضخة الحرارية 3 أوضاع للتشغيل النشطة لضبط سرعة تشغيلها حسب الشدة المطلوبة وحسب الوضع المختار:

اضغط من الشاشة الرئيسية: يتوقف المؤشر ▶ أمام أحد الأوضاع الـ 3

- وضع "BOOST"
- وضع "SMART"
- وضع "SILENCE"

### قم بإيقاف شريط الليد (مضاء بشكل افتراضي)



التأكيد



ON (مُفعل) أو OFF (غير مُفعل)



التأكيد



سيظهر على الشاشة « LED »



من الشاشة الرئيسية اضغط مع الاستمرار: فتعرض الشاشة « COOL »

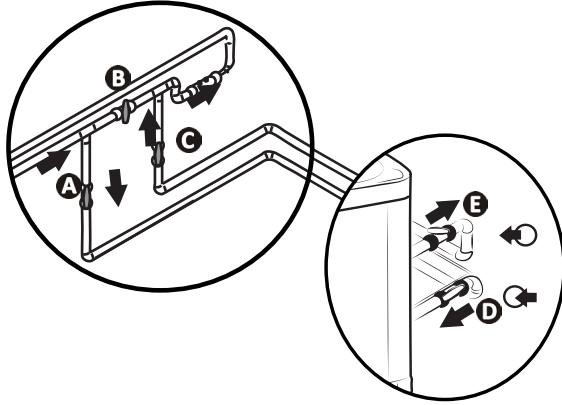
راجع الدليل عبر الإنترنت لمزيد من التفاصيل عن أوضاع التشغيل وسلوك شريط الليد.






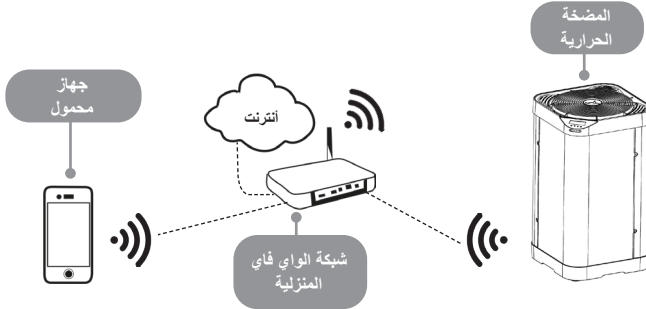
## فتح دائرة الماء

⚠️ انتبه: الضبط غير السليم لصمام التحويل قد يؤدي إلى حدوث خلل بالمضخة الحرارية.



- أغلق تدريجيًا الصمام B.
- افتح بالكامل الصمامات A و C و D، و افتح الصمام E بمقدار النصف (سوف يتم تفريغ الهواء المتراكم في المكثف ودائرة الترشيح). في حالة عدم وجود الصمامين D و E، افتح الصمام A بشكل كامل وأغلق الصمام C حتى النصف.
- وصّل المضخة الحرارية بالتيار الكهربائي.
- إذا كانت المضخة الحرارية في وضع الاستعداد، فاضغط على  لمدة 3 ثوانٍ: تظهر الشاشة الرئيسية لمدة 4 ثوانٍ ثم تعرض الشاشة الرئيسية. يبدأ جهاز مؤقت مدته دقيقتين في العمل.
- اضبط درجة الحرارة المطلوبة.

## العودة للتطبيق Fluidra Pool



- يمكن التحكم في المضخة الحرارية عن بُعد، من خلال هاتف ذكي أو جهاز لوحي، عن طريق التطبيق Fluidra Pool المتوفر على أنظمة التشغيل iOS و Android. قبل البدء في التوصليل بالتطبيق Fluidra Pool، احرص على:
- استخدام هاتف ذكي أو جهاز لوحي متوافق مع الواي فاي.
  - استخدام شبكة واي فاي مع إشارة قوية إلى حد ما للاتصال بالمضخة الحرارية: يجب التقاط إشارة الواي فاي في المكان الذي يتم استخدام الجهاز فيه. إذا لم يكن الحال كذلك، يجب توفير حل تقني لتقوية الإشارة الموجودة.
  - ابق بالقرب من الجهاز وليكن معك كلمة المرور الخاصة بشبكة الواي فاي المنزلية.

افتح التطبيق واتبع الخطوات المبينة في التطبيق لإضافة المضخة الحرارية.

يظهر على الشاشة  
« bLE »



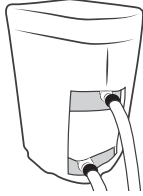

اضغط مع الاستمرار

قم بتحميل تطبيق  
Fluidra Pool



## التشغيلة



 <p>ضع غطاء التشغيلة الصغير جيد التهوية</p>	<p>قم بتفريغ الماء من المكثف لتجنب خطر الصقيع</p>	<p>أغلق الصمامين A و C وافتح الصمامين D و E (إذا لزم الأمر)</p>	<p>افصل التيار الكهربائي</p>	 <p>اضغط مع الاستمرار لإيقاف الجهاز</p>
--	---	---	------------------------------	--

- في حالة فترة تشغيلة كاملة لحوض السباحة (إيقاف كامل لنظام الترشيح، تصفية دورة الترشيح، أو إفراغ حوض السباحة): أعد تركيب الموصلين بمقدار لفة لتجنب دخول أي أجسام غريبة في المكثف.
- في حالة التشغيلة للمضخة الحرارية وحدها فقط (إيقاف التدفئة فقط، مع استمرار الترشيح في العمل): لا تقم بربط الموصلات ولكن أضف 2 سدادة (مُباعة) على مداخل ومخارج ماء المكثف.
- ضع غطاء التشغيلة الصغير جيد التهوية (المُباعة) على المضخة الحرارية مع تمرير توصيلات المياه من الفتحة المخصصة لهذا الغرض. ليس من الضروري فصل توصيلات المياه والكهرباء.

- التشغيلة أساسية لتجنب أي توقف للمكثف بسبب الصقيع (الصقيع بدون التشغيلة غير مضمون في الضمان).
- لتجنب إلحاق الضرر بالجهاز مع التكتيف، لا ينبغي تغطيته بالكامل واستخدام صندوق التشغيلة المُباع.



## الصيانة



- تأكد أن شبكة التهوية غير مسدودة بأجسام غريبة.
- قم بتنظيف المُبخِر بواسطة فرشاة ناعمة ورشاش ماء نقي (افصل كابل الكهرباء).
- قم بتنظيف أنبوب التخلص من نواتج التكتيف للتخلص من الشوائب التي يمكن أن تسده.
- تأكد أن شبكة التهوية في صندوق التبدل نظيفة.
- لا تستخدم رشاشًا بضغط عالٍ. لا ترش باستخدام ماء الأمطار أو الماء المتسخ أو الماء الذي يحتوي كميات من المعادن.
- نظّف الجهاز من الخارج؛ لا تستخدم منتجات تحتوي على مذيبات. يمكنك استخدام مجموعة أدوات التنظيف الخاصة كملحق: الـ PAC NET.


- يجب عدم فصل التيار الكهربائي أثناء تشغيل الجهاز. في حالة انقطاع التيار الكهربائي، انتظر دقيقة واحدة قبل إعادة التيار للجهاز.
- قبل القيام بأي عملية صيانة أو إصلاح عطل أو إصلاح، يوصى بإنهاء تنشيط الاتصال بالواي فاي من المودم لتجنب أي خطر للتحكم في الجهاز عن بُعد.
- يوصى بإجراء الصيانة العامة للجهاز مرة واحدة على الأقل سنويًا لضمان التشغيل الجيد، والمحافظة على مستويات أدائه وربما تجنب بعض الأعطال المحتملة. تتم هذه العمليات على نفقة المستخدم بواسطة فني.



راجع الدليل عبر الإنترنت لمزيد من التفاصيل عن تعليمات السلامة المتعلقة بوسائل التبريد R32 وعن أعم ال الصيانة التي يجب القيام بها بواسطة فني مؤهل.





- قم بالاتصال بالوكيل، قم بهذه الاختبارات البسيطة في حالة وجود مشكلة. إذا لم يتم حل المشكلة، اتصل بالوكيل.
-  يجب أن يتم تنفيذ الإجراءات بواسطة فني مؤهل فقط.

## سلوكيات الجهاز

<ul style="list-style-type: none"> <li>• عندما يكون تدفق الماء منعماً أو غير كافٍ، يتوقف الجهاز: تحقق من أن الماء ينساب بشكل صحيح في الجهاز وأن التوصيلات الهيدروليكية سليمة.</li> <li>• يتوقف الجهاز عندما تهبط درجة الحرارة الخارجية لأقل من -7° مئوية.</li> </ul>	<p>الجهاز لا يبدأ في التسخين على الفور</p>
<ul style="list-style-type: none"> <li>• للتحقق من أن الماء لا يأتي من تسيب في دورة حوض السباحة من الجهاز، أطفئ الجهاز وقم بتشغيل مضخة الترشيح حتى يمر الماء داخل الجهاز. إذا استمر انسياب المياه عبر أنابيب تفرغ نواتج التكثيف، فهناك تسرب للماء في المضخة الحرارية، يرجى الاتصال بالوكيل.</li> </ul>	<p>الجهاز ينبعث منه الماء</p>
<ul style="list-style-type: none"> <li>• سوف ينتقل الجهاز قريباً إلى دورة إذابة الصقيع من أجل إذابة الجليد.</li> <li>• إذا لم يتمكن الجهاز من إذابة صقيع المبخز، فسوف يتوقف من تلقاء نفسه؛ وهو ما يعني أن درجة الحرارة الخارجية منخفضة جداً (أقل من صفر درجة مئوية).</li> </ul>	<p>المبخز متجمد</p>
<ul style="list-style-type: none"> <li>• إذا لم يكن الجهاز في دورة إذابة الصقيع، فإن هذا الأمر غير طبيعي. أطفئ الجهاز وافصله على الفور واتصل بالوكيل.</li> </ul>	<p>الجهاز "يخرج دخاناً"</p>
<ul style="list-style-type: none"> <li>•  إذا لم تكن الشاشة تعمل، افحص جهد التيار والمنصهر F1.</li> <li>• عندما لا يوجد تدفق للماء أو يكون غير كافٍ، تتوقف المضخة الحرارية: تحقق من أن الماء يمر بشكل صحيح في المضخة الحرارية.</li> </ul>	<p>الجهاز لا يعمل</p>
<ul style="list-style-type: none"> <li>• إذا كانت درجة الحرارة الخارجية منخفضة، فسوف تقوم المضخة الحرارية بدورات إذابة صقيع.</li> <li>• لا يستطيع الجهاز التقاط ما يكفي من السرعات الحرارية بسبب انسداد المبخز. قم بتنظيفه لاستعادة أدائه.</li> </ul>	<p>المروحة تعمل لكن الضاغط يتوقف من وقت لآخر بدون رسالة خطأ</p>
<ul style="list-style-type: none"> <li>• وضع التشغيل ليس قوياً بشكل كافٍ (الجهاز في وضع « SILENCE » أو « SMART »). انتقل إلى وضع « BOOST » واضبط الترشيح على الوضع اليدوي 24 / 24 الوقت اللازم لارتفاع درجة الحرارة.</li> <li>• تأكد من عدم عرقلة صمام الماء التلقائي في الوضع المفتوح؛ مما يؤدي إلى جلب الماء البارد باستمرار إلى حوض السباحة ومنع ارتفاع لزيادة الحرارة.</li> <li>• يوجد فقدان كبير في الحرارة لأن الهواء بارد. قم بتركيب غطاء عازل للحرارة على حوض السباحة.</li> <li>• لا يستطيع الجهاز التقاط ما يكفي من السرعات الحرارية بسبب انسداد المبخز. قم بتنظيفه لاستعادة أدائه.</li> <li>•  تأكد أن حجم الجهاز مناسب لحوض الاستحمام هذا ولييته.</li> </ul>	<p>الجهاز يعمل لكن درجة حرارة الماء لا ترتفع.</p>
<ul style="list-style-type: none"> <li>•  تأكد أن قاطع الدائرة الكهربائية ذو مقاس صحيح وأن مقطع كابل التيار الكهربائي المستخدم صحيح.</li> <li>•  الجهد الكهربائي منخفض للغاية؛ اتصل بمورد الكهرباء.</li> </ul>	<p>يقوم الجهاز بإطلاق قاطع الدائرة</p>

راجع الدليل عبر الإنترنت لمزيد من التفاصيل عن عرض أكواد الأعطال على الشاشة، وعن سلوك لمبات اليد على بطاقة الدائرة المطبوعة وعلى الرسم التخطيطي لتوصيل الكابلات.





الأداء: الهواء عند 28 درجة مئوية/ الماء عند 28 درجة مئوية/ الرطوبة بنسبة 80%

MD6	MD5	MD4		
4.7 - 16	4.4 - 14	3.1 - 11	كيلو وات	القدرة الخارجة (السرعة القصوى - دقيقة)
0.5 - 3.2	0.5 - 2.6	0.3 - 1.9	كيلو وات	القدرة المستهلكة (السرعة القصوى - دقيقة)
9.4 - 5	8.8 - 5.4	10.3 - 5.8		متوسط معامل الأداء (السرعة القصوى - دقيقة)

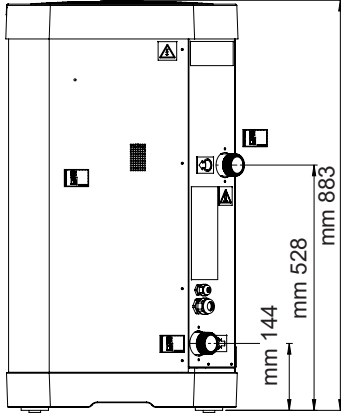
## الموصفات التقنية

في وضع "التدفئة": من 7- إلى 35 درجة مئوية في وضع "التبريد": من 10 إلى 35 درجة مئوية	الهواء	درجات حرارة التشغيل
من 15 إلى 32 ° مئوية	الماء	
من 2 إلى 42 بار (من 0.2 إلى 4.2 ميجال باسكال)	مادة التبريد	ضغط التشغيل
من 0 إلى 2 بار (من 0 إلى 0.2 ميجال باسكال)	الماء	
220 - 240 فولطاً / أحادي الطور / 50 هرتز		التيار الكهربائي
± 6 % (أثناء التشغيل)		تغير الجهد المقبول
2 وصلة PVC قطر 40 2 وصلة تقليص PVC قطر 50/40 2 وصلة PVC بزواوية 45 قطر 50		توصيلات المياه
R32		نوع سائل التبريد
IP24		مؤشر الحماية
2.497 - 2.400	جيجاهرتز	نطاقات التردد
19.5+	ديسبيل	شدة انبعاث ترددات الراديو
الداخل / الخارج		مكان التركيب

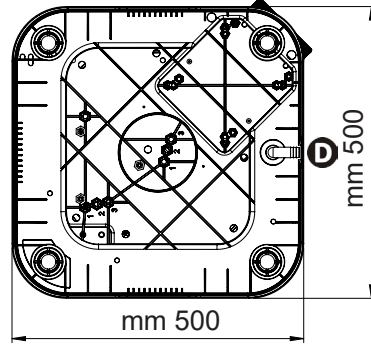
## الموصفات التقنية

MD6	MD5	MD4		
12.3	10.1	8	A	الحاجة إلى تيار كهربائي اسمي
15.9	12.3	9.0	A	الحاجة للحد الأقصى من التيار الكهربائي
2.5x3	2.5x3	2.5x3	مم <sup>2</sup>	القطع الأدنى للكابل*
65 - 73	63 - 71	64 - 70	ديسبيل (أ)	الشدة الصوتية (أقل - أقصى)
34 - 42	32 - 40	33 - 39	ديسبيل (أ)	الشدة الصوتية على مسافة 10 أمتار (أقل - أقصى)
5	4.2	3.4	م <sup>3</sup> /ساعة	دفع الماء الموصي به
0.95	0.85	0.7	كجم	
0.64	0.57	0.47	المكافئ بالطن من ثاني أكسيد الكربون	شحن سائل التبريد
47	46	41	كجم	الوزن التقريبي

\* قيم استرشادية لطول ٢٠ مترًا كحد لأقصى (أساس الحساب: ١٠٠-١٥NFC)، ويجب التحقق منها وتكييفها وفقًا لظروف التركيب والمعايير في بلد التركيب.



الخلف



القاع

منفذ الوصول الفني

A

مدخل ماء حوض السباحة

B

مخرج ماء حوض السباحة

C

تفريغ نواتج التكثف

D

4.4 الرسوم التخطيطية  
لتوصيل الكابلات

## رموز الرسوم التخطيطية لتوصيل الكابلات

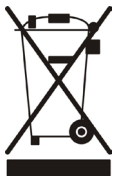
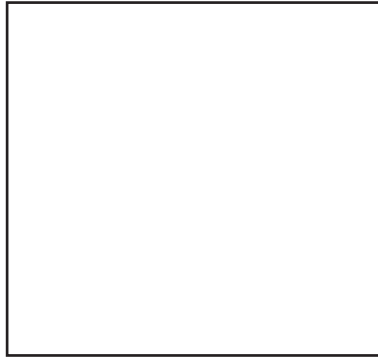
9

الوصف	الرمز	الوصف	الرمز
مفتاح تحويل التدفق	FS	بطاقة الضبط الإلكتروني	A1
المقاومة الكهربائية المتغيرة	V1 - V2	لوحة عرض (IHM)	A2
أخضر/أصفر	G/Y	البطاقة الإلكترونية للضاغط	A4
أسود	BLK	ضاغط	CM
أزرق	BLU	صمام التمديد الإلكتروني	EEV
بني	BRN	منصهر	F1 - F2
برتقالي	ORG	موتور المروحة	المروحة
وردي	PNK	مفتاح تحويل الضغط العالي	HP
أحمر	RED	مستشعر درجة الماء الداخل	ST1
رمادي	GRY	مستشعر درجة حرارة الهواء المحيط	ST2
أسود	BLK	مستشعر درجة حرارة الملف	ST3
بنفسجي	VLT	مستشعر درجة حرارة أنبوب السائل	ST4
أبيض	WHT	مستشعر درجة حرارة التفريغ	ST5
أصفر	YEL	صمام بأربعة مسارات	4WV

راجع هذا الجدول لقراءة ملصق الرسوم التخطيطية لتوصيل الكابلات الموجود في ظهر صندوق الكهرباء. الرسوم التخطيطية لتوصيل الكابلات متوفرة أيضاً في الدليل الموجود عبر الإنترنت.







*Renseignez-vous auprès de votre revendeur sur les modalités de recyclage • Contact your retailer for recycling information • Ihr Händler kann Sie über die Recyclingbedingungen informieren • Vraag uw dealer om informatie over de wijze van recycling • Consulte con su distribuidor las modalidades de reciclaje • Informe-se junto do seu revendedor sobre as modalidades de reciclagem • Informarsi presso il proprio rivenditore sulle modalità di riciclaggio • Απευθυνθείτε στον μεταπωλητή σας για τις δυνατότητες ανακύκλωσης • Hör efter hos återförsäljaren om hur produkten ska återvinnas • Az újrahaznosítási módokat illetően tájékozódjon a viszonteladónál • Należy uzyskać odpowiednie informacje dotyczące recyklingu u sprzedawcy • Информирайте се при Вашия търговец за условията за рециклиране • Zeptejte se svého prodejce na recyklaci • Informujte sa u svojej predajcu o spôsoboch recyklácie • استعلم من الوكيل عن طرق إعادة التدوير.*

ZPCE  
ZA de la Balme - BP 42  
31450 BELBERAUD  
FRANCE  
[www.zodiac.com](http://www.zodiac.com)

A Fluidra Brand

©2024 Fluidra. All rights reserved. ZODIAC® is a registered trademark of Zodiac Pool Care Europe, S.A.S.U., used under license. All other trademarks are the property of their respective owners.

